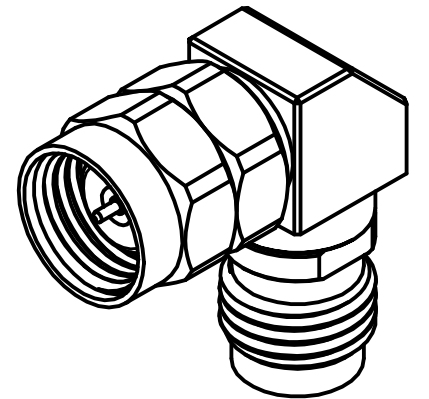
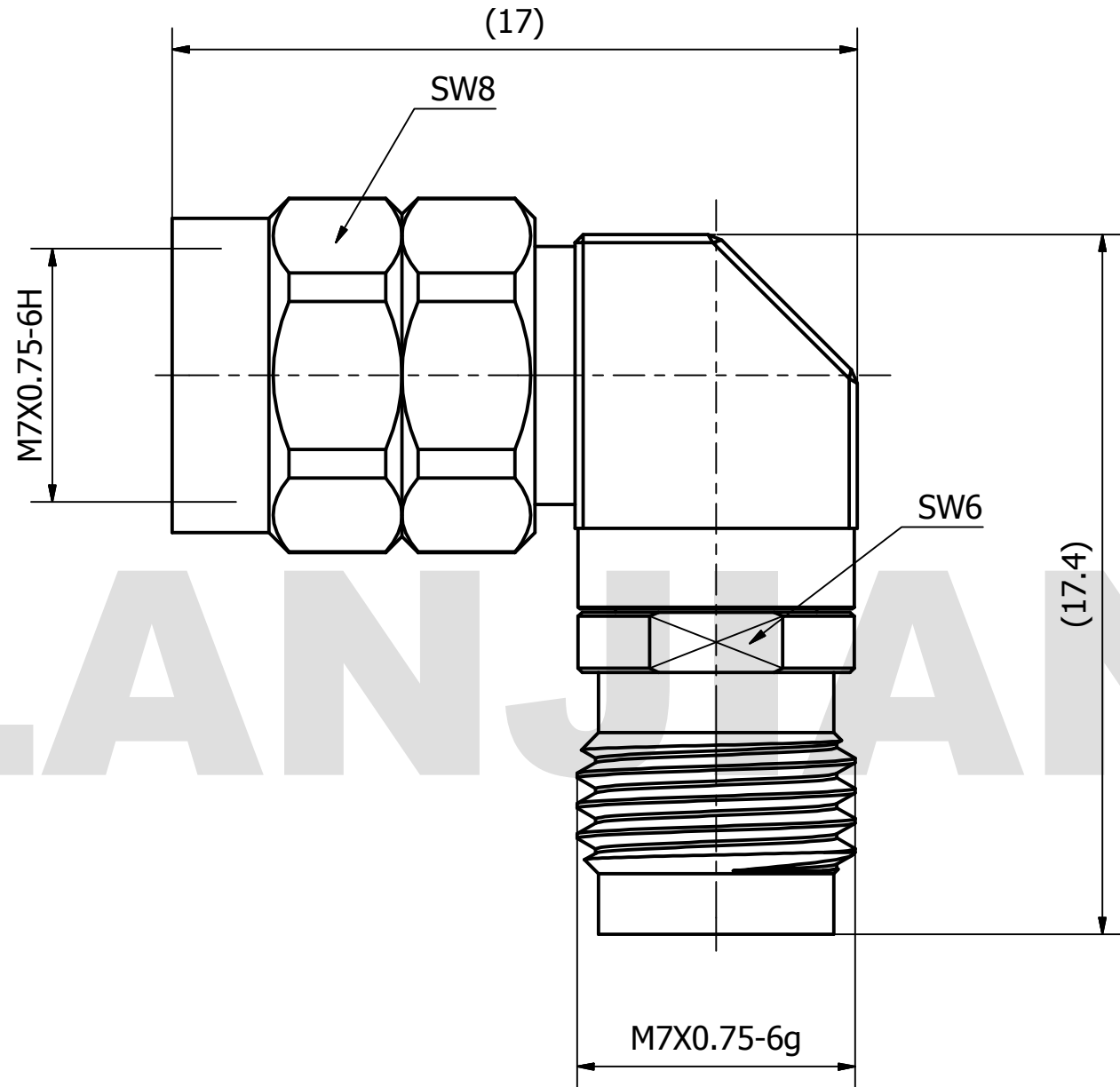


# PRODUCT DATA SHEET



**MATERIAL:**  
 BODY: STAINLESS STEEL PER AMS-5640,  
 ALLOY UNS S30300  
 CONTACT: BERYLLIUM COPPER PER ASTM B196.  
 ALLOY NO. UNS C17300  
 INSULATOR: PEI

**PERFORMANCE:**  
 IMPEDANCE: 50 OHMS  
 FREQUENCY: DC TO 65 GHz  
 VSWR:  $\leq 1.40$

THIS DOCUMENT CONTAINS CONFIDENTIAL AND PROPRIETARY INFORMATION THAT CANNOT BE REPRODUCED OR DIVULGED, IN WHOLE OR IN PART, WITHOUT WRITTEN AUTHORIZATION FROM "LANJIAN ELECTRONICS"	MATERIAL :			 38 Hengtong Road, Xinqu Dingmao Zhenjiang, 212009, Jiangsu, P. R. China
	UNLESS OTHERWISE SPECIFIED: DIMENSIONS IN MM			
	TOLERANCES :			
	X.X	$\pm 0.20$	ANGULAR : $\pm 1^\circ$	DEBURR AND BREAK SHARP EDGES
	X.XX	$\pm 0.10$	FILLETS R/C : $\pm 0.10$	
	X.XXX	$\pm 0.01$	SURFACE FINISH : Ra 1.6	
		NAME	DATE	SIGNATURE
DRAWN	YaoJiang	04/25/2019		
CHK'D	HongZhongYan	04/25/2019		
APPV'D	HongZhongYan	04/25/2019		
MFG				
PROJECTION		SIZE	SCALE	
		A3	6 : 1	
DO NOT SCALE THE DRAWING			REV. A	
DO NOT SCALE THE DRAWING			PAGE 1 / 1	

1.85-JWK-1 R/A adaptor

DWG No. GCPZ3.640.U.028-1