



## EXTRUDED ALUMINUM LOUVER

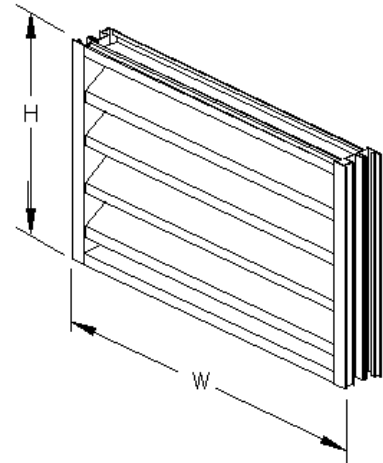
**MODEL: 4-DL 33°**

**4" DEPTH DRAINABLE LOUVER**



### APPLICATION

The 4-DL 33° is a 4" depth drainable / weather louver designed for protection of higher air intake velocities and exhaust openings in building exterior walls. The blade design for the 4-DL 33° has a better performance to channel water to the jambs which directs the water escape at the sill.



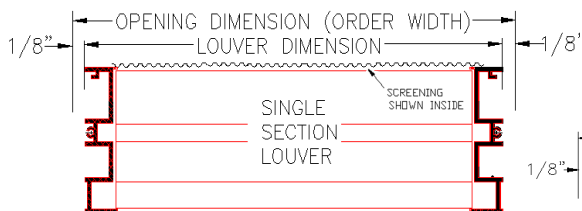
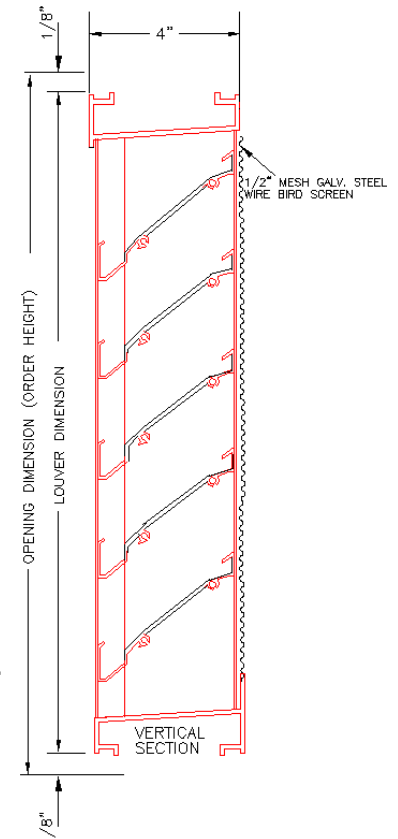
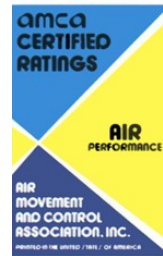
### SPECIFICATIONS

- Frame:** 0.081 thick extruded aluminum  
6063-T5 mill finish
- Blade:** 0.081 thick extruded aluminum  
6063-T5 mill finish
- Blade Spacing:** Approximately 3-1/4" center to center  
(except at head and sills)
- Fasteners:** 10" x 3/4" tek screws
- Blade Angle:** 33°
- Min. Height:** 8"
- Max. Single Sec.:** Consult factory for maximum size
- Screen:** Bird screen 1/2" x 1/2" galvanized steel

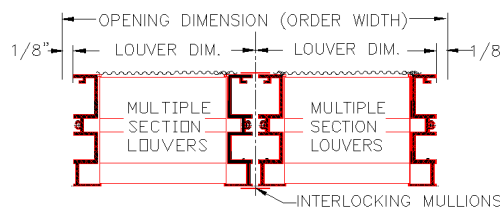
### OPTIONS

- Insect Screen 18" x 16" mesh aluminum
- Bird Screen 1/2" x 1/2" aluminum

- Finish:** Clear Anodized
- Color Anodized
- Powder Coat Paint
- Baked Enamel Paint



### HORIZONTAL SECTION





**EXTRUDED ALUMINUM LOUVER**

**MODEL: 4-DL 33° & 4-DLF 33°**

Water Penetration: 0.01oz (3.0g) at 1001 fpm recommended free area velocity.

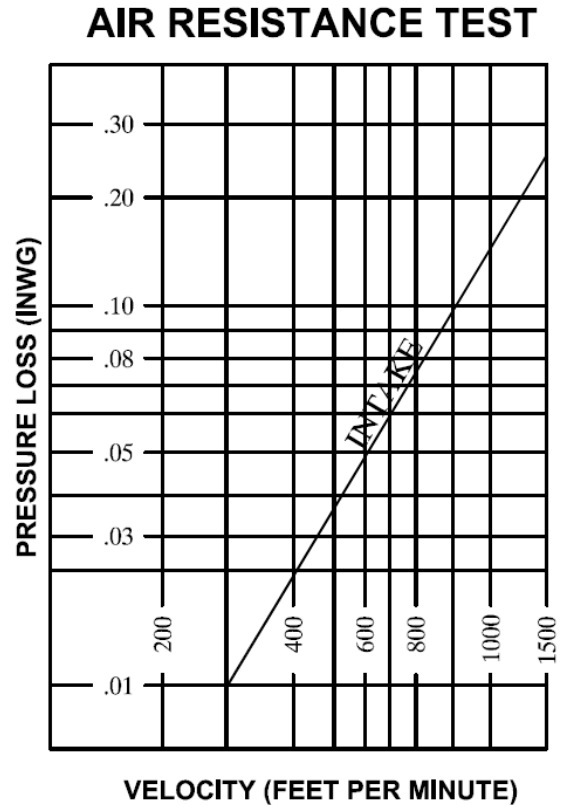
Pressure Drop: 0.125 in.wg. at 1001 fpm and 8668 SCFM

Free Area: 8.66 sq.ft. = 54% for 48"x48" test size

Velocity Through Free Area FPM standard air: 0.075 lbs per cu. ft.  
Ratings do not include bird screen effect.

Below is an explanation of how to use the Data for the recommended Free Area Velocity of 1001 fpm.

Louver size determination		
cfm /	fpm =	ft <sup>2</sup>
air flow volume	free area velocity @ beginning point of water penetration	Required Louver Free Area
<b>Select louver size from Free Area Chart below, based on required louver free area above</b>		
<b>Determine pressure drop from Pressure Drop Chart based on required louver free area above</b>		



**FREE AREA IN SQ.FT.**

**WIDTH**

**HEIGHT**

INCHES	12	24	36	48	60	72	84	96
12	0.26	0.63	1.1	1.38	1.75	2.08	2.45	2.83
24	0.7	1.73	2.75	3.77	4.79	5.69	6.71	7.74
36	1.16	2.85	4.55	6.24	7.93	9.41	11.1	12.79
48	1.61	3.96	6.31	8.66	11.02	13.06	15.41	17.76
60	2.08	5.05	8.05	11.04	14.03	16.65	19.65	22.64
72	2.51	6.16	9.81	13.46	17.11	20.3	23.95	27.6
84	2.96	7.26	11.56	15.86	20.17	23.93	28.23	32.53
96	3.41	8.36	13.32	18.27	23.23	27.56	32.52	37.48

