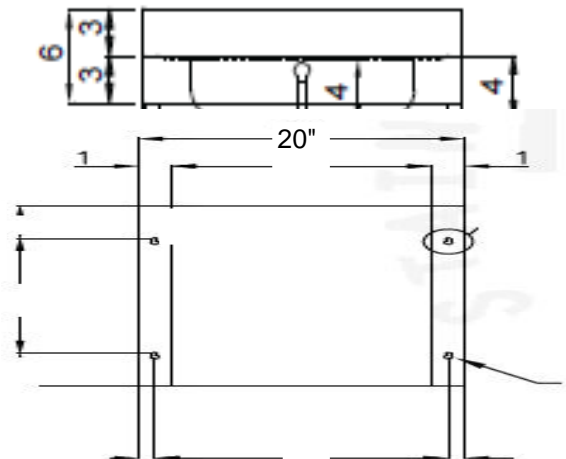
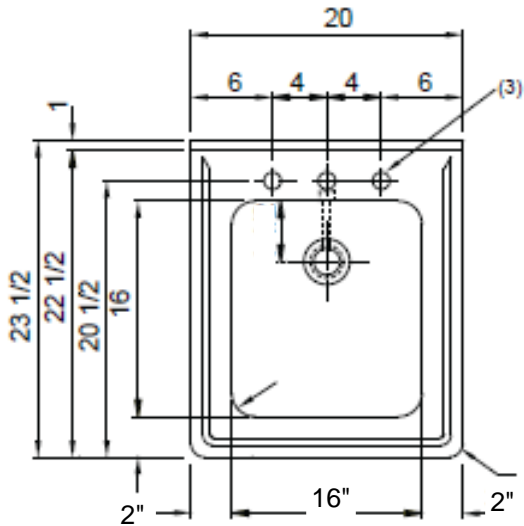
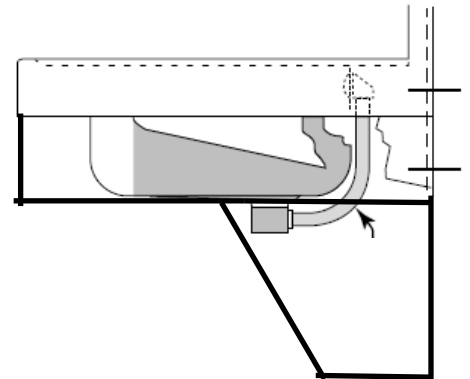


WICKETTS STAINLESS SPECIFICATION

ADA LAVATORY



Model Number
W-23520-ADA

Engineering Specification: 14 gauge, type 304 stainless steel single wash sink. Exposed surfaces polished to a satin finish. Supported on (2) wall brackets and clips.

Wicketts Stainless, LLC.
2618 San Miguel Dr. Bldg. # 376
Newport Beach, CA 92660
Tel: 951-858-2548
Fax: 951-638-9059
sales@wickettsstainless.com
www.wickettsstainless.com



Approved for Manufacturing	
Company:	_____
Signature:	_____
Print:	_____ Date: / / _____