



Simon Marketing Group, LLC
dba Parking Lot Safety Solutions
1405 White Oak Dr., Kalamazoo, MI 49008
248-855-6647

Title: 6" Bolt Down Bollard

Drawing Number: BDB6

Recommended Use:

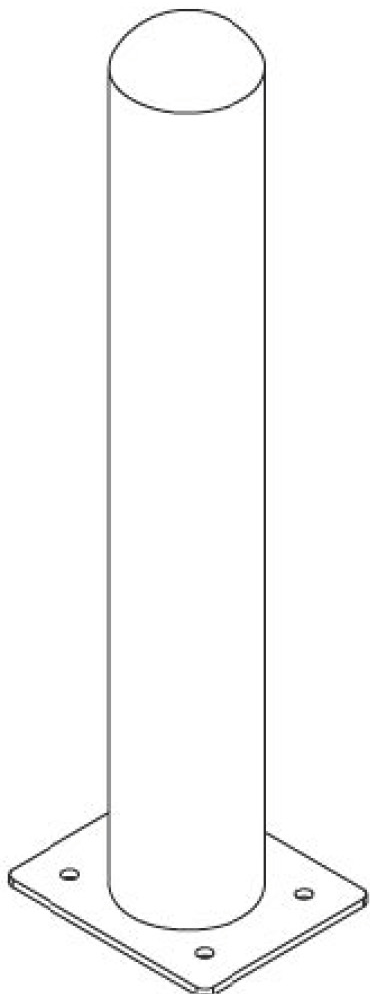
Surface Mount

Specifications: 6.5" OD Schedule 40 steel
Powder Coated Yellow With cap and welded
10" x 12" base plate

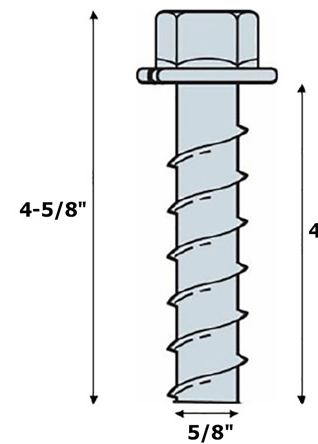
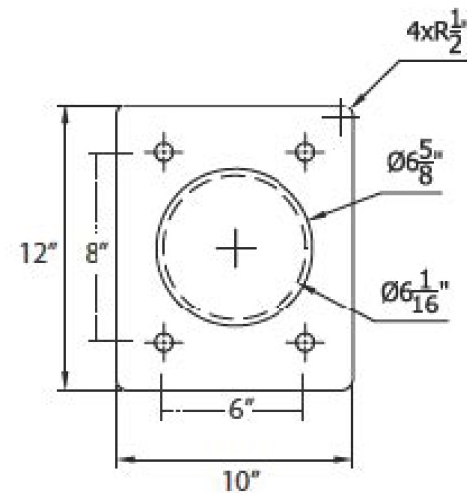
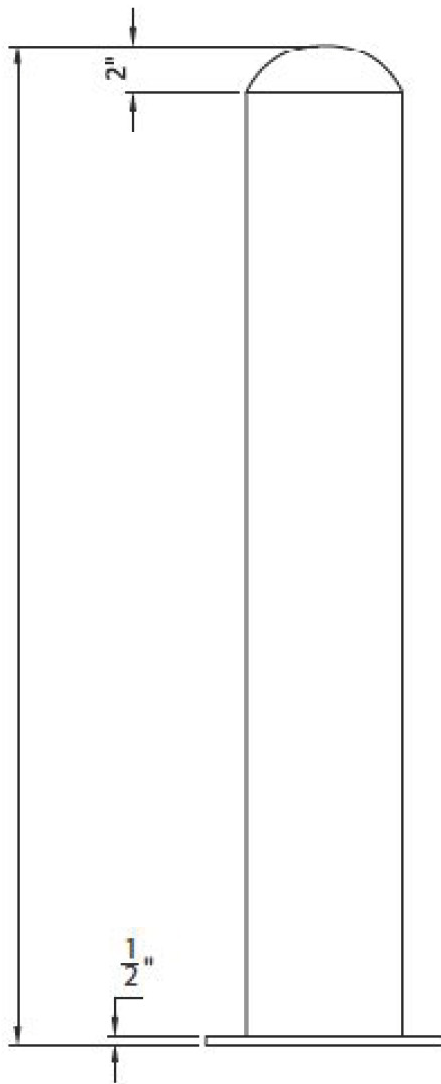
Date: 3-15-17

Size: 6" Diameter

Page: 1 of 1



48"
42"



Hardware
5/8" x 4" Bolts