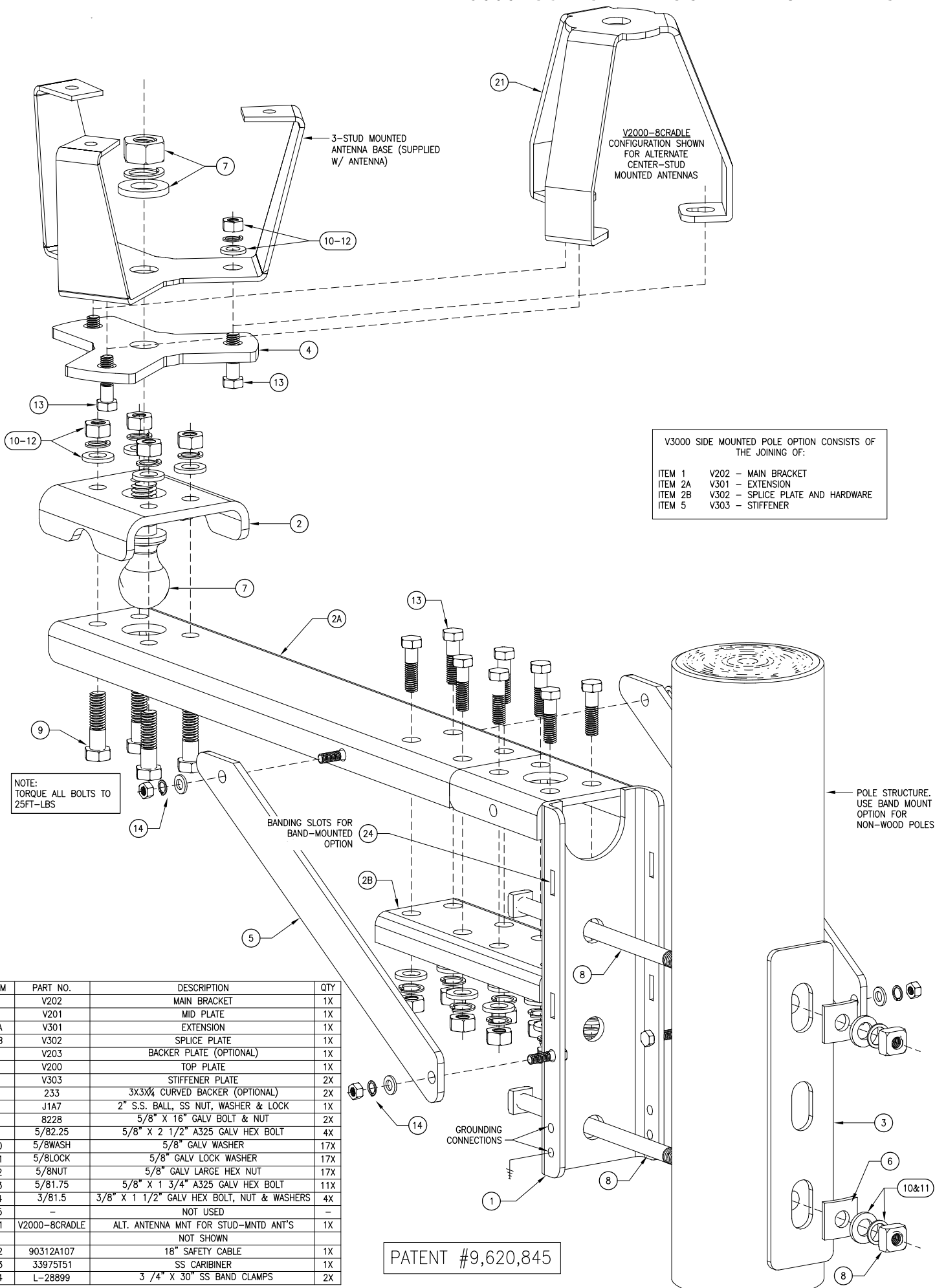




## V3000ASSY SIDE + TOP POLE BRACKET

Wireless Construction, Inc. | 40 Blake Road | Standish, ME 04084  
Phone: (207) 642-5751 Fax: (207) 642-5754

# V3000ASSY SIDE MOUNTED POLE BRACKET

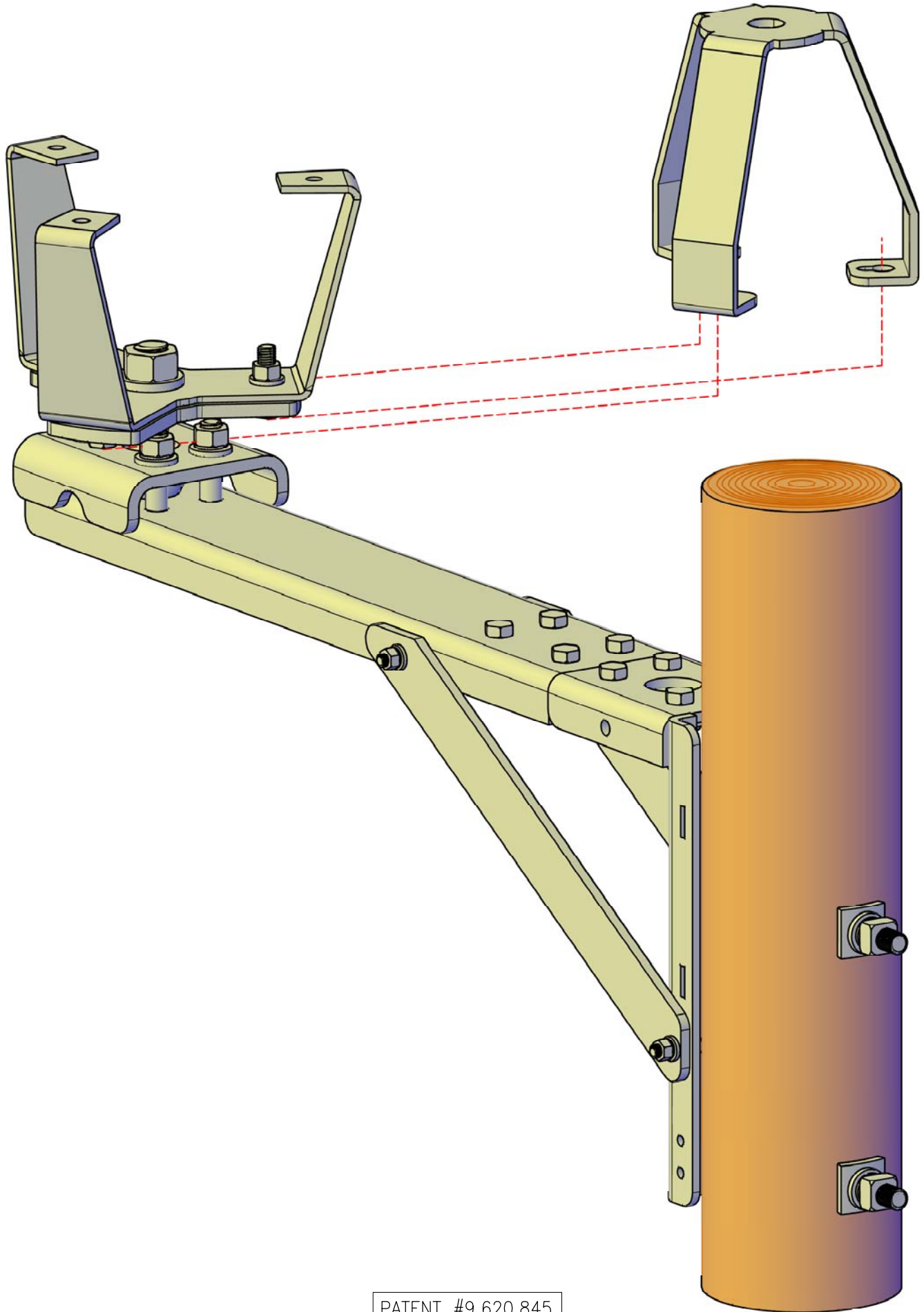


V3000 SIDE MOUNTED POLE OPTION CONSISTS OF THE JOINING OF:

ITEM 1	V202	- MAIN BRACKET
ITEM 2A	V301	- EXTENSION
ITEM 2B	V302	- SPLICE PLATE AND HARDWARE
ITEM 5	V303	- STIFFENER

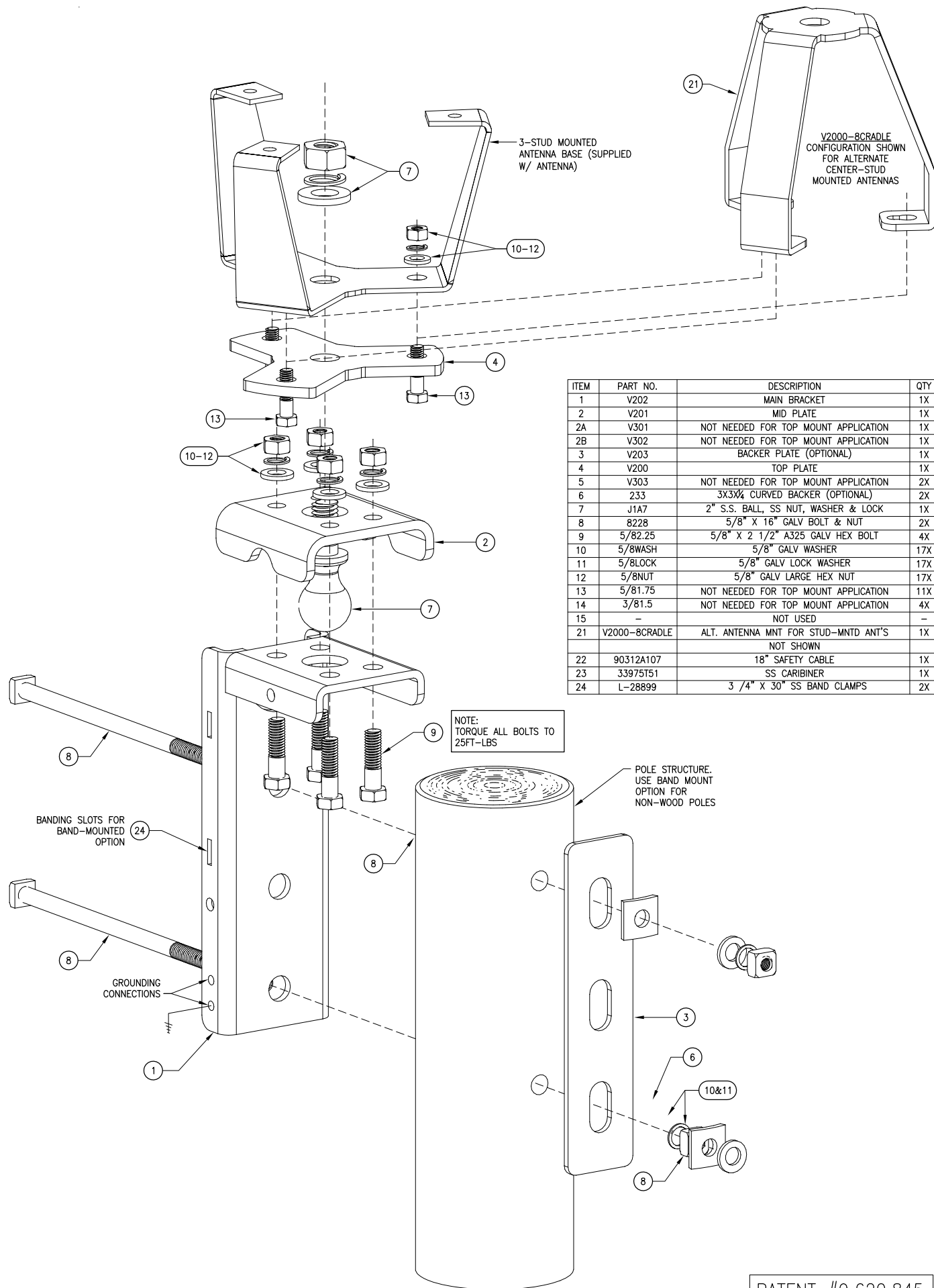
ITEM	PART NO.	DESCRIPTION	QTY
1	V202	MAIN BRACKET	1X
2	V201	MID PLATE	1X
2A	V301	EXTENSION	1X
2B	V302	SPLICE PLATE	1X
3	V203	BACKER PLATE (OPTIONAL)	1X
4	V200	TOP PLATE	1X
5	V303	STIFFENER PLATE	2X
6	233	3X3X $\frac{1}{4}$ CURVED BACKER (OPTIONAL)	2X
7	J1A7	2" S.S. BALL, SS NUT, WASHER & LOCK	1X
8	8228	5/8" X 16" GALV BOLT & NUT	2X
9	5/82.25	5/8" X 2 1/2" A325 GALV HEX BOLT	4X
10	5/8WASH	5/8" GALV WASHER	17X
11	5/8LOCK	5/8" GALV LOCK WASHER	17X
12	5/8NUT	5/8" GALV LARGE HEX NUT	17X
13	5/81.75	5/8" X 1 3/4" A325 GALV HEX BOLT	11X
14	3/81.5	3/8" X 1 1/2" GALV HEX BOLT, NUT & WASHERS	4X
15	-	NOT USED	-
21	V2000-BCRADLE	ALT. ANTENNA MNT FOR STUD-MNTD ANT'S NOT SHOWN	1X
22	90312A107	18" SAFETY CABLE	1X
23	33975T51	SS CARIBINER	1X
24	L-28899	3/4" X 30" SS BAND CLAMPS	2X

V3000ASSY SIDE MOUNTED POLE BRACKET



PATENT #9,620,845

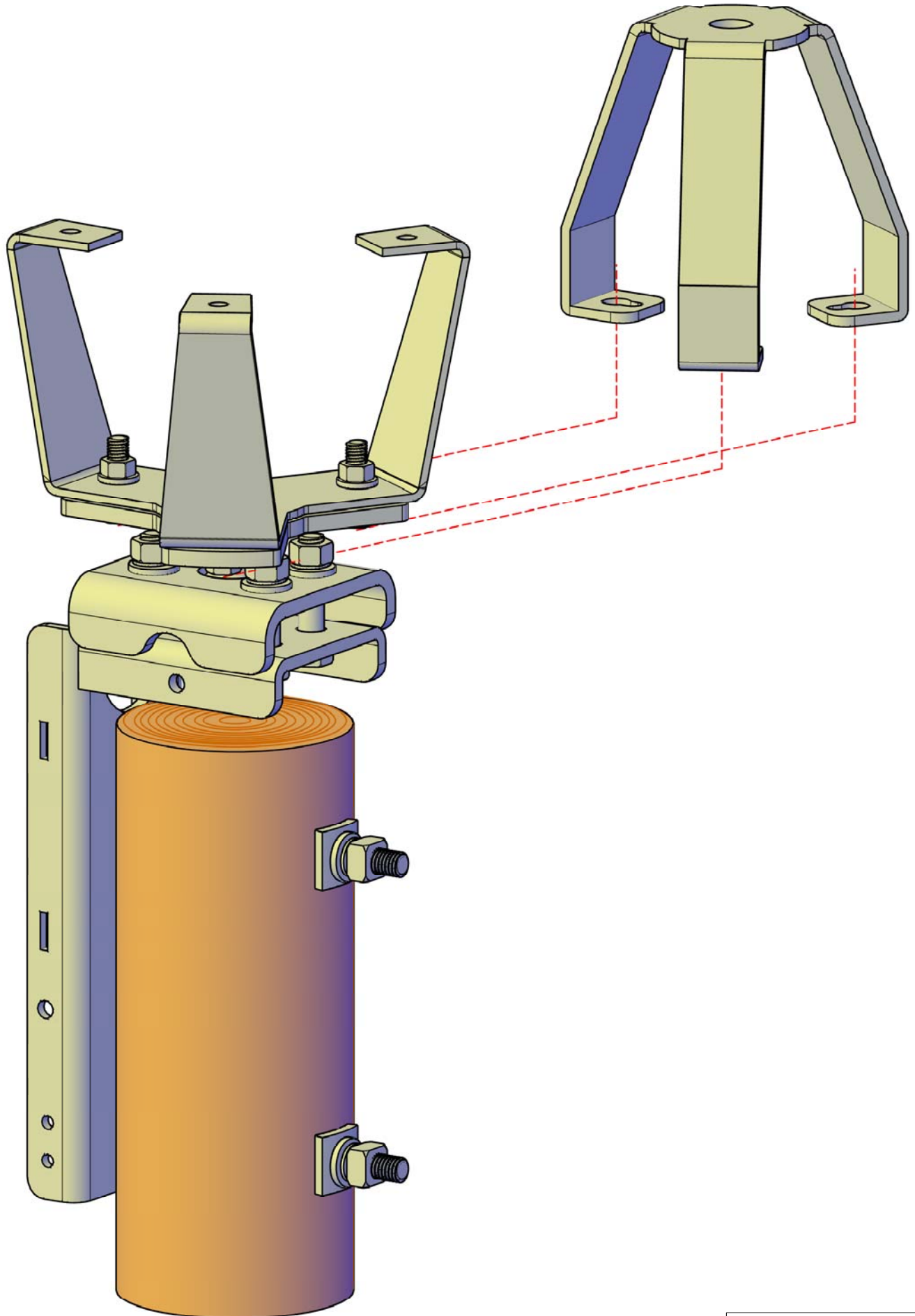
# V3000ASSY TOP MOUNTED POLE BRACKET



ITEM	PART NO.	DESCRIPTION	QTY
1	V202	MAIN BRACKET	1X
2	V201	MID PLATE	1X
2A	V301	NOT NEEDED FOR TOP MOUNT APPLICATION	1X
2B	V302	NOT NEEDED FOR TOP MOUNT APPLICATION	1X
3	V203	BACKER PLATE (OPTIONAL)	1X
4	V200	TOP PLATE	1X
5	V303	NOT NEEDED FOR TOP MOUNT APPLICATION	2X
6	233	3X3/4" CURVED BACKER (OPTIONAL)	2X
7	J1A7	2" S.S. BALL, SS NUT, WASHER & LOCK	1X
8	8228	5/8" X 16" GALV BOLT & NUT	2X
9	5/82.25	5/8" X 2 1/2" A325 GALV HEX BOLT	4X
10	5/8WASH	5/8" GALV WASHER	17X
11	5/8LOCK	5/8" GALV LOCK WASHER	17X
12	5/8NUT	5/8" GALV LARGE HEX NUT	17X
13	5/81.75	NOT NEEDED FOR TOP MOUNT APPLICATION	11X
14	3/81.5	NOT NEEDED FOR TOP MOUNT APPLICATION	4X
15	-	NOT USED	-
21	V2000-BCRADLE	ALT. ANTENNA MNT FOR STUD-MNTD ANT'S	1X
		NOT SHOWN	
22	90312A107	18" SAFETY CABLE	1X
23	33975T51	SS CARIBINER	1X
24	L-28899	3/4" X 30" SS BAND CLAMPS	2X

PATENT #9,620,845

V3000ASSY TOP MOUNTED POLE BRACKET



PATENT #9,620,845