



EXTRUDED ALUMINUM LOUVER

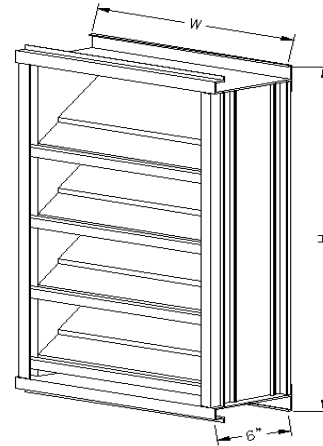
MODEL: 6-DL

6" DEPTH DRAINABLE FLANGED FRAME LOUVER



APPLICATION

The 6-DL is a 6" depth drainable / weather louver designed for protection of higher air intake velocities and exhaust openings in building exterior walls. The blade design for the 6-DL has a better performance to channel water to the jambs which directs the water escape at the sill.

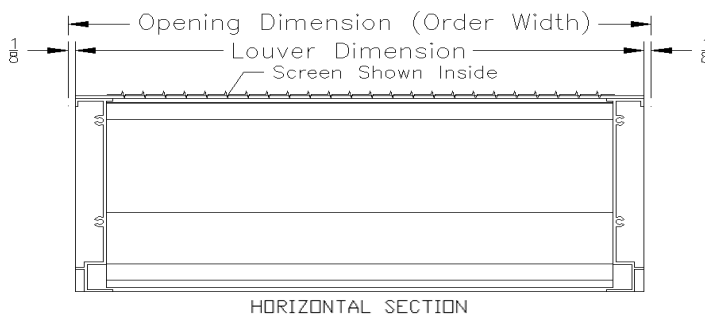
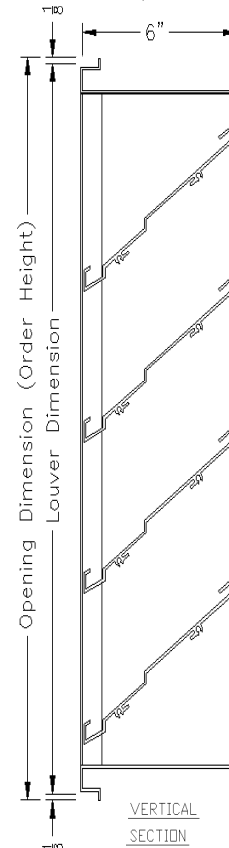
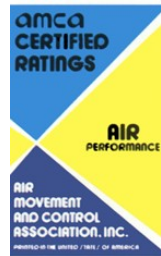


SPECIFICATIONS

- Frame:** 0.081 thick extruded aluminum
6063-T5 mill finish
- Blade:** 0.081 thick extruded aluminum
6063-T5 mill finish
- Blade Spacing:** Approximately 4-3/4" center to center
(except at head and sills)
- Fasteners:** 10" x 3/4" tek screws
- Blade Angle:** 35°
- Screen:** Bird screen
1/2" x 1/2" galvanized steel
- Flange:** 1-1/4"

OPTIONS

- Insect Screen 1/16" x 1/16" Aluminum
- Bird Screen 1/2" x 1/2" Aluminum
- Finish: Clear Anodized
Color Anodized
Powder Coat Paint
Baked Enamel Paint





EXTRUDED ALUMINUM LOUVER

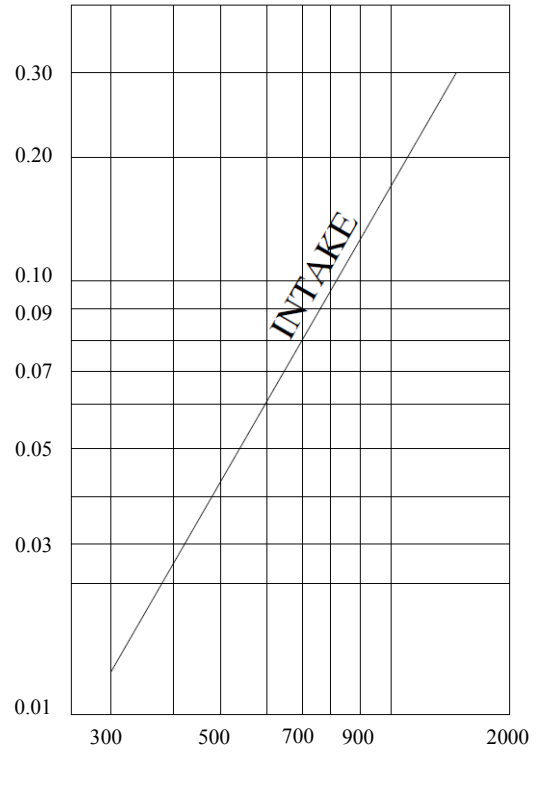
**MODEL: 6-DL & 6-DLF
PRESSURE DROP**

Water Penetration: 0.01oz (3.0g) at 1250 (6.35m/s) fpm recommended free area velocity.
 Pressure Drop: 0.21in.wg. at 1250 fpm and 11550 SCFM
 Free Area: 9.24 sq.ft. = 58% for 48"x48" test size

Velocity Through Free Area FPM standard air: 0.075 lbs per cu. ft.
 Ratings do not include bird screen effect.

Below is an explanation of how to use the Data for the recommended Free Area Velocity of 1250 fpm.

Louver size determination		
air flow volume	free area velocity @ beginning point of water penetration	Required Louver Free Area
cfm /	fpm =	ft ²
Select louver size from Free Area Chart below, based on required louver free area above Determine pressure drop from Pressure Drop Chart based on required louver free area above		



FREE AREA IN SQ.FT.

WIDTH

HEIGHT

INCHES	12	24	36	48	60	72	84	96	108	120	132	144
12	0.18	0.43	0.69	0.94	1.16	1.42	1.67	1.93	2.15	2.41	2.66	2.92
24	0.69	1.70	2.70	3.71	4.59	5.59	6.60	7.60	8.48	9.49	10.49	11.50
36	1.21	2.96	4.72	6.47	8.01	9.76	11.52	13.27	14.81	16.56	18.32	20.07
48	1.72	4.28	6.73	9.24	11.43	13.93	16.44	18.95	21.14	23.64	26.15	28.65
60	2.24	5.49	8.75	12.00	14.85	18.11	21.36	24.62	27.47	30.72	33.98	37.23
72	2.75	6.76	10.76	14.77	18.27	22.28	26.28	30.29	33.79	37.80	41.80	45.81
84	3.27	8.02	12.78	17.53	21.70	26.45	31.21	35.96	40.12	44.88	49.63	54.39
96	3.78	9.29	14.80	20.30	25.12	30.62	36.13	41.63	46.45	51.96	57.46	62.97
108	4.30	10.56	16.81	23.07	28.54	34.79	41.05	47.30	52.78	59.03	65.29	71.54
120	4.82	11.82	18.83	25.83	31.96	38.97	45.97	52.98	59.11	66.11	73.12	80.12
132	5.33	13.09	20.84	28.60	35.38	43.14	50.89	58.65	65.43	73.19	80.94	88.70
144	5.85	14.35	22.86	31.36	38.80	47.31	55.82	64.32	71.76	80.27	88.77	97.28

