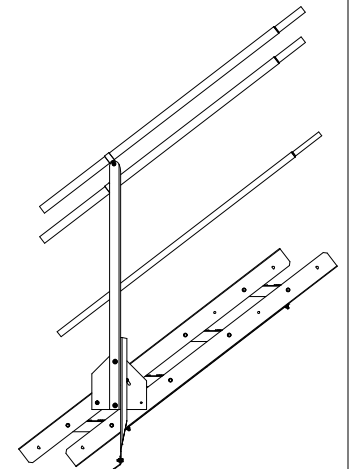
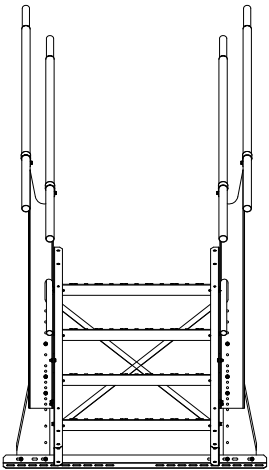


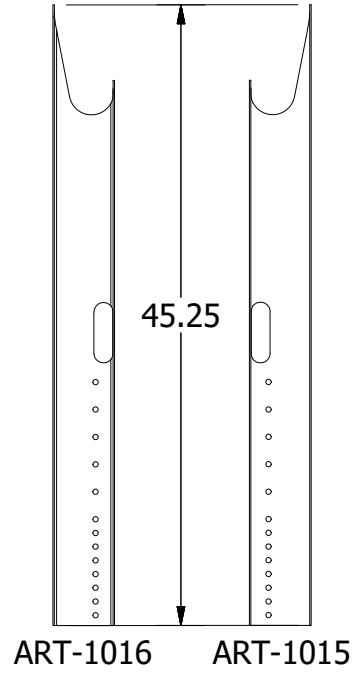
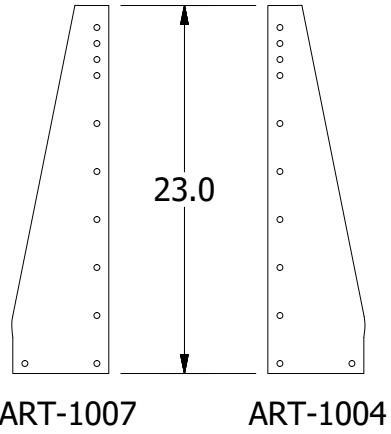
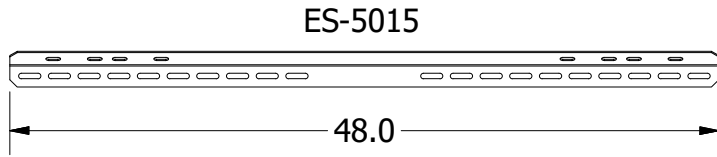
ART5004
Assembly Instructions
Greene Galvanized Stairs



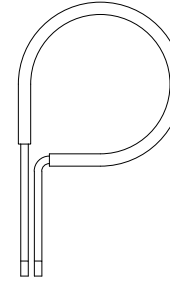
Parts List

PARTS LIST		
PART NUMBER	DESCRIPTION	QTY
ES-5015	Easy Step Roof Stair Mount	1
ART-1007	Roof Stair Post Brace Left	1
ART-1004	Roof Stair Post Brace Right	1
5/16-18x3/4FB	5/16"-18 x 3/4" Flange Bolt	42
5/16-18SFN	5/16"-18 Whiz Lock Nut	42
ART-1015	Right Stair Post w/Guardrail	1
ART-1016	Left Stair Post w/Guardrail	1
ART-1011	Roof Stair Leveling Plate	2
ART-5004	4-Step Siderail	4
AS00030	30" x 11" Step Tread Assembly	4
ART-1001	Stair Stringer X-Brace	2
HRC1500	1.5" Handrail P-Clamp	4
FloorScrews	Self-tapping screws	6
TR1506006	1.5" Handrail, 60" Long, 6" Swage	4
TR1006006	1" Handrail, 60" Long, 6" Swage	2

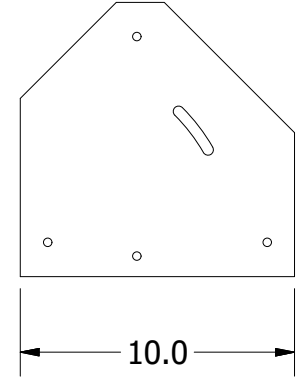
Parts List



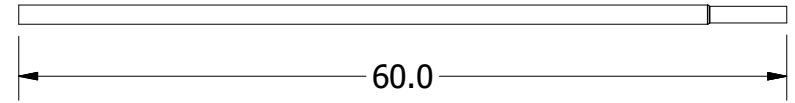
HRC1500



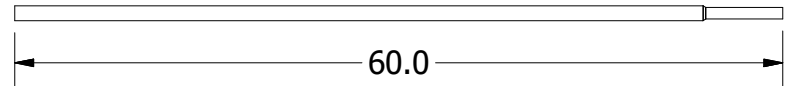
ART-1011



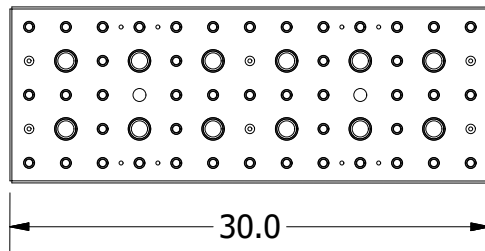
TR1506006



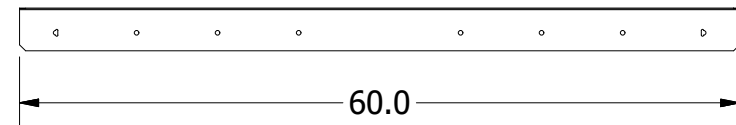
TR1006006



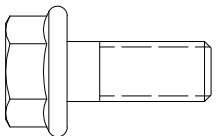
AS00030



ART-5004

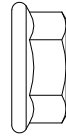


5/16-18x3/4FB



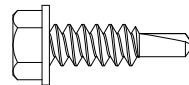
1:1

5/16-18SFN



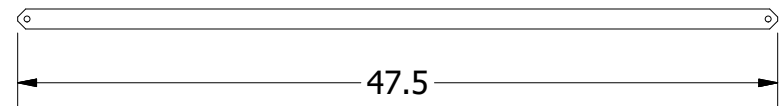
1:1

Floor Screw



1:1

ART-1001



Step 1

- Place the ART-1007 and ART-1004 braces against the ES-5015 Roof Mount as shown in Figure 1. The braces' flanges will face up the roof run when installed.
- Secure the braces to the roof mount using four (4) 5/16" Flange Bolts and four (4) 5/16" Lock Nuts. See Detail A for bolt hole locations on the ES-5015 brace.
- Place the ART-1015 and ART-1016 posts against the ART-1007 braces. The bolt spacing shown in Figure 2 are in the lowest position; adjust the height to fit the roof.
- Secure each in place with three (3) 5/16" Flange Bolts and three (3) 5/16" Lock Nuts.

DETAIL A

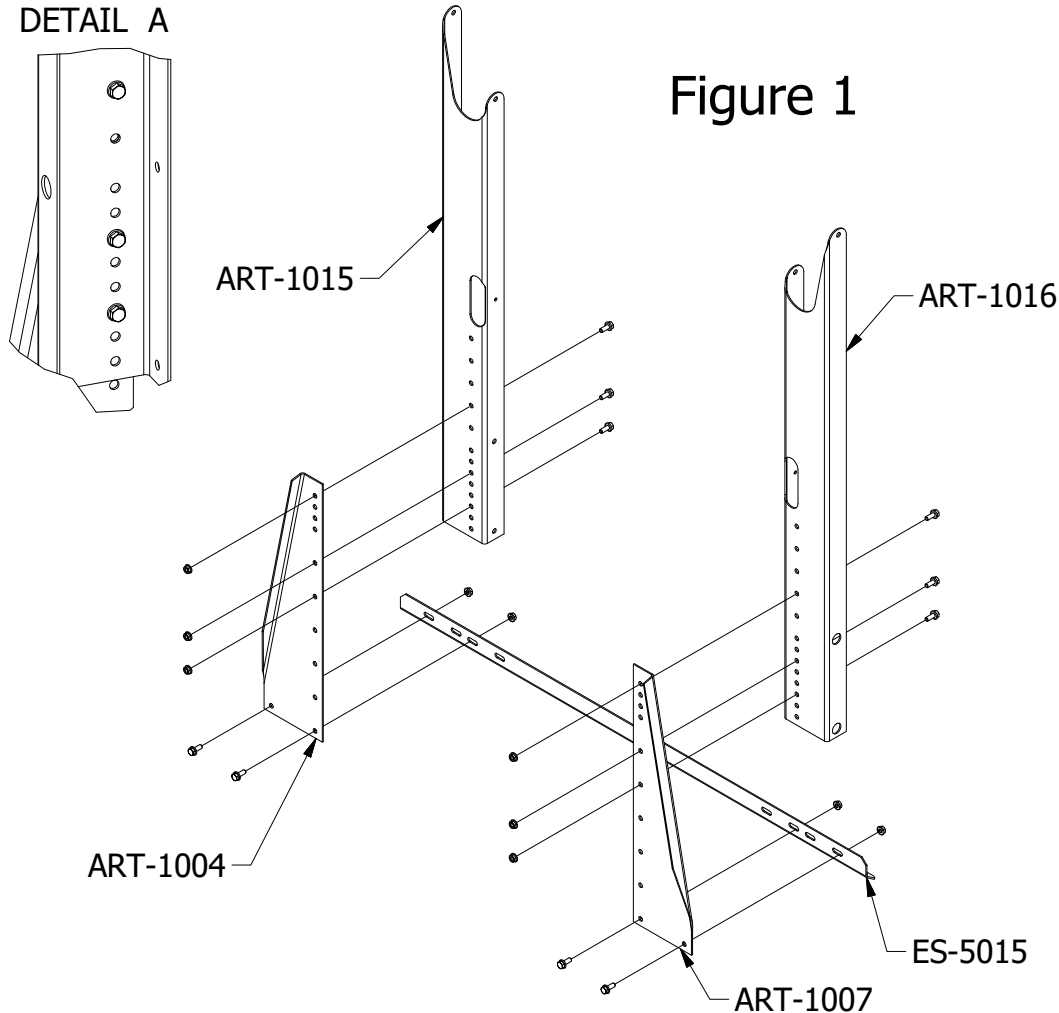
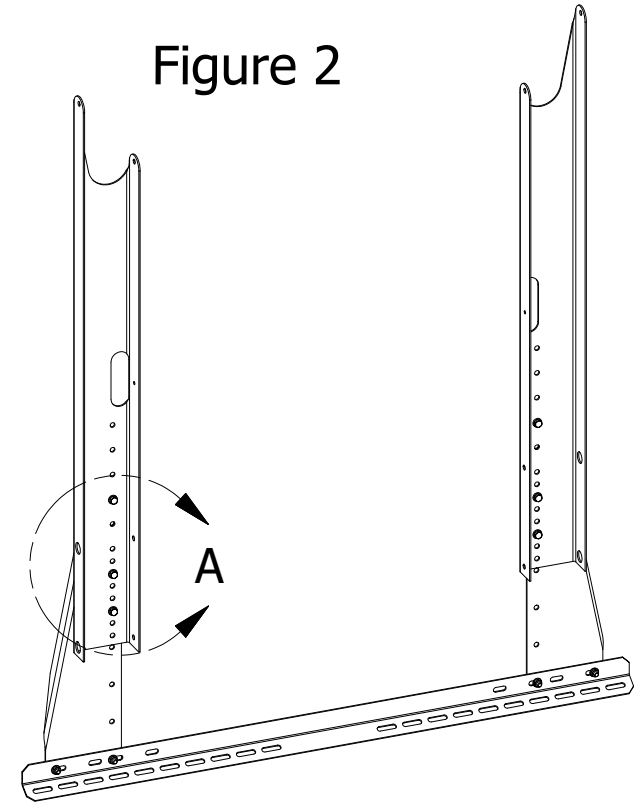


Figure 1

Figure 2



PARTS USED IN STEP 1		
PART NUMBER	DESCRIPTION	QTY
ES-5015	Easy Step Roof Stair Mount	1
ART-1007	Roof Stair Post Brace Left	1
ART-1004	Roof Stair Post Brace Right	1
ART-1015	Right Stair Post	1
ART-1016	Left Stair Post	1
5/16-18x3/4FB	5/16"-18 x 3/4" Flange Bolt	10
5/16-18SFN	5/16"-18 Whiz Lock Nut	10

DRAWN Marcus Wilmsmeyer	1/17/2019	Greene Galvanized Stairs East Lynn, IL 217.375.4244 www.greenebinstairs.com	
CHECKED		TITLE A-Series Roof Stairs - 4-Step Assembly Instructions	
QA		SIZE A	DWG NO IN-ART5004
MFG		SCALE 1/14	REV
APPROVED		SHEET 4 OF 9	

Step 2

- A. Take two (2) ART-1011 Levelling Brackets and attach them to the ART-1015 and ART-1016 posts as shown in Figure 3 and Figure 4.
- B. Secure the brackets in place using four (4) 5/16" Flange Bolts and four (4) 5/16" Lock Nuts.

PARTS USED IN STEP 2		
PART NUMBER	DESCRIPTION	QTY
5/16-18x3/4FB	5/16"-18 x 3/4" Flange Bolt	4
5/16-18SFN	5/16"-18 Whiz Lock Nut	4
ART-1011	Roof Stair Leveling Plate	2

Figure 3

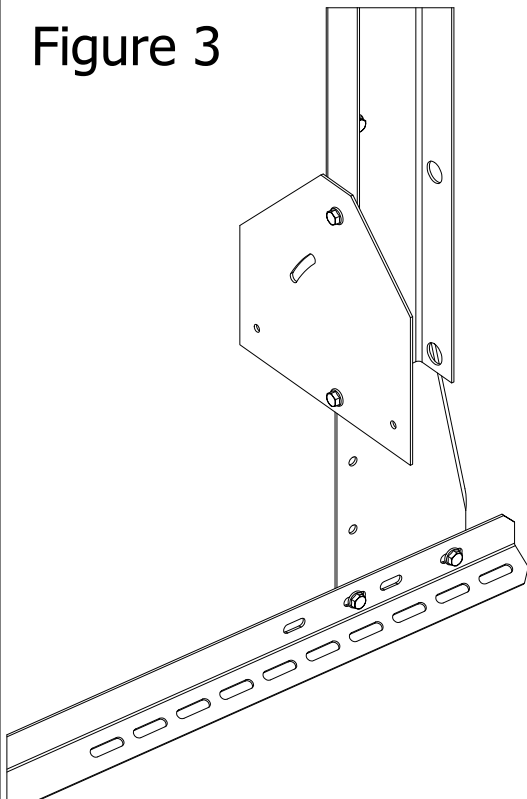
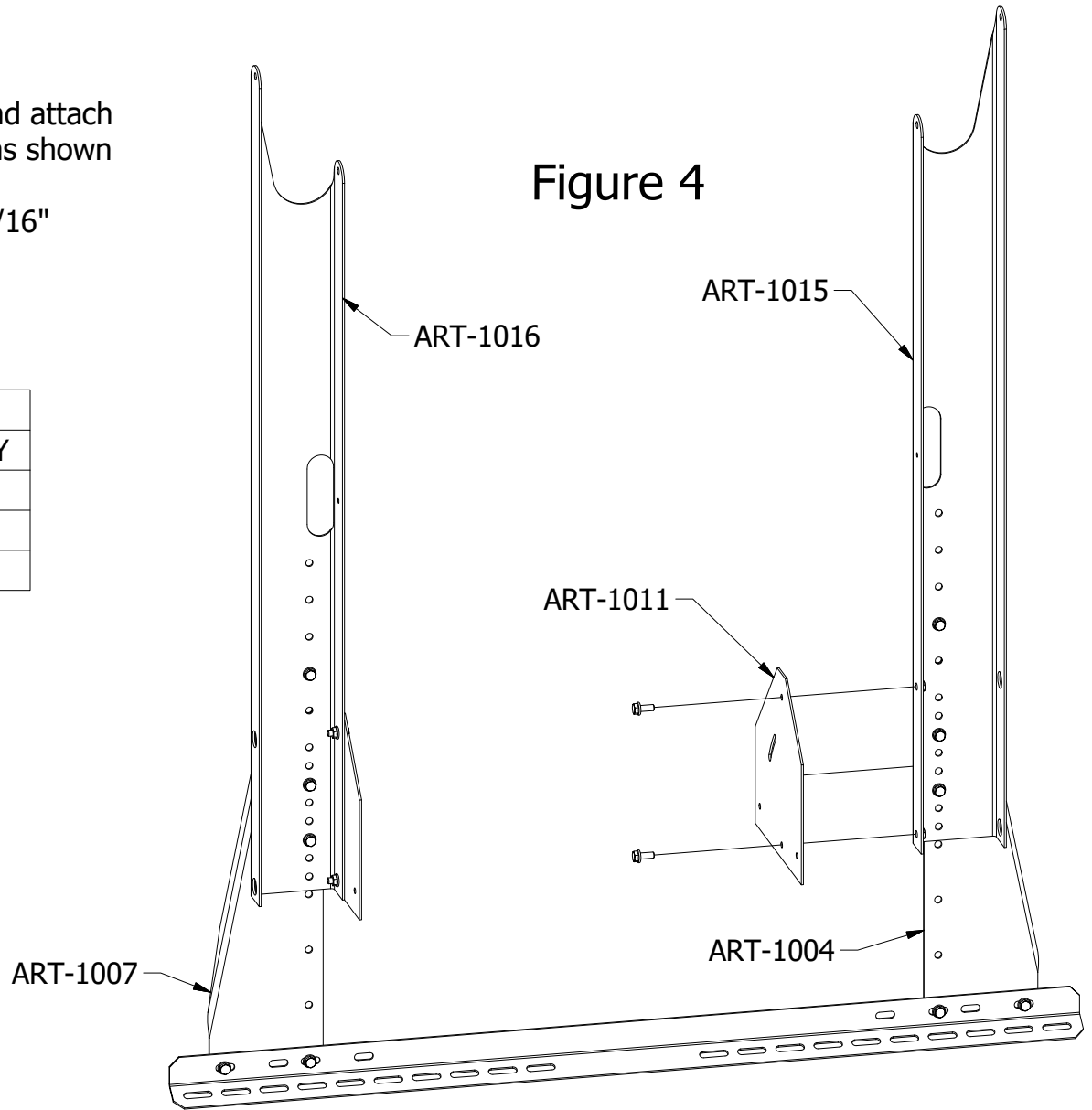


Figure 4



DRAWN Marcus Wilmsmeyer	1/17/2019	Greene Galvanized Stairs East Lynn, IL 217.375.4244 www.greenebinstairs.com	
CHECKED		TITLE A-Series Roof Stairs - 4-Step Assembly Instructions	
QA		SIZE A	DWG NO IN-ART5004
MFG		SCALE 1/9	REV
APPROVED		SHEET 5 OF 9	

Step 3

- A. Place four (4) AS00030 Step Treads in line with four (4) ART-5004 Siderails as shown in Figure 5.
- B. Using fourteen (14) 5/16" Flange Bolts and fourteen (14) 5/16" Lock Nuts, secure the step treads to the siderails. On the second-lowest stair, omit two of the bolts and nuts; they will be added on a later step.

PARTS USED IN STEP 3		
PART NUMBER	DESCRIPTION	QTY
5/16-18x3/4FB	5/16"-18 x 3/4" Flange Bolt	14
5/16-18SFN	5/16"-18 Whiz Lock Nut	14
ART-5004	4 Step Siderail	4
AS00030	Tread 30 x 11 Step Assembly	4

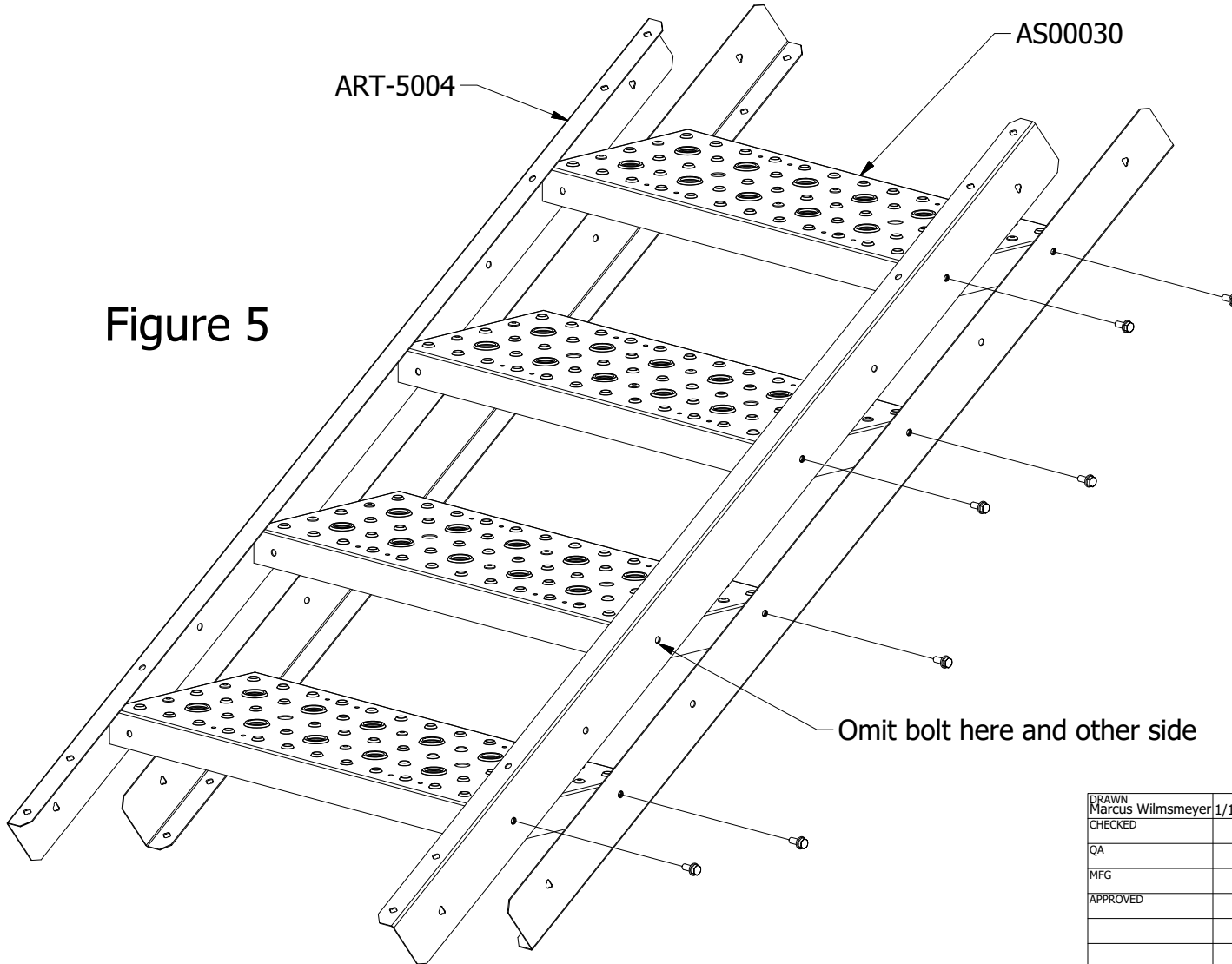


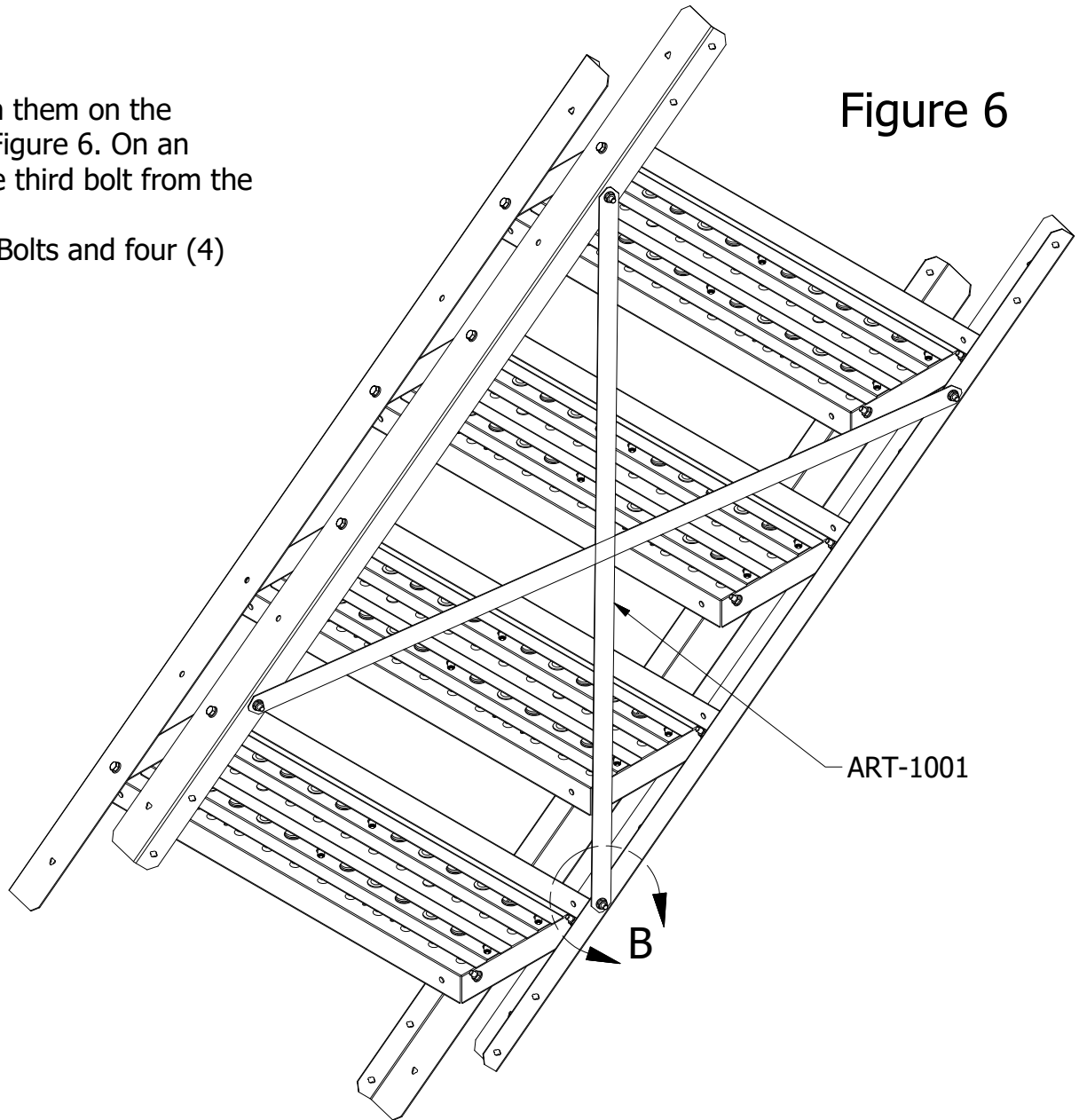
Figure 5

DRAWN Marcus Wilmsmeyer	1/17/2019	Greene Galvanized Stairs East Lynn, IL 217.375.4244 www.greenebinstairs.com	
CHECKED		TITLE A-Series Roof Stairs - 4-Step Assembly Instructions	
QA		SIZE A	DWG NO IN-ART5004
MFG		SCALE 1/9	REV
APPROVED		SHEET 6 OF 9	

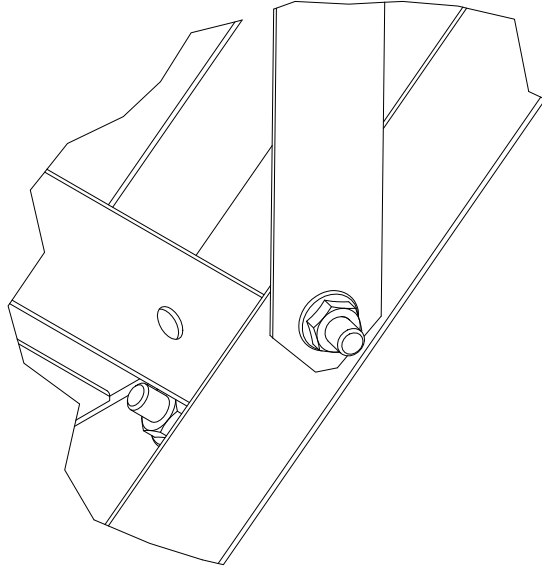
Step 4

- A. Take the two (2) Cross Braces and position them on the bottom of the stair assembly as shown in Figure 6. On an ART5004, these braces will line up with the third bolt from the end on the siderails.
- B. Secure in place with four (4) 5/16" Flange Bolts and four (4) 5/16" Lock Nuts.

Figure 6



DETAIL B



PARTS USED IN STEP 4		
PART NUMBER	DESCRIPTION	QTY
5/16-18x3/4FB	5/16"-18 x 3/4" Flange Bolt	4
5/16-18SFN	5/16"-18 Whiz Lock Nut	4
ART-1001	Roof Stair Cross Brace	2

DRAWN Marcus Wilmsmeyer	1/17/2019	Greene Galvanized Stairs East Lynn, IL 217.375.4244 www.greenebinstairs.com	
CHECKED		TITLE A-Series Roof Stairs - 4-Step Assembly Instructions	
QA		SIZE A	DWG NO IN-ART5004
MFG		SCALE 1/10	REV
APPROVED		SHEET 7 OF 9	

Step 5

- A. Using six (6) 5/16" Flange Bolts and six (6) 5/16" Lock Nuts, bolt the siderails to the leveling bracket. Review Figures 7 and 8 for the bolt layout.
- B. Tighten the bolts on the leveling plates after the final placement on the roof.

PARTS USED IN STEP 5		
PART NUMBER	DESCRIPTION	QTY
5/16-18x3/4FB	5/16"-18 x 3/4" Flange Bolt	6
5/16-18SFN	5/16"-18 Whiz Lock Nut	6

Figure 7

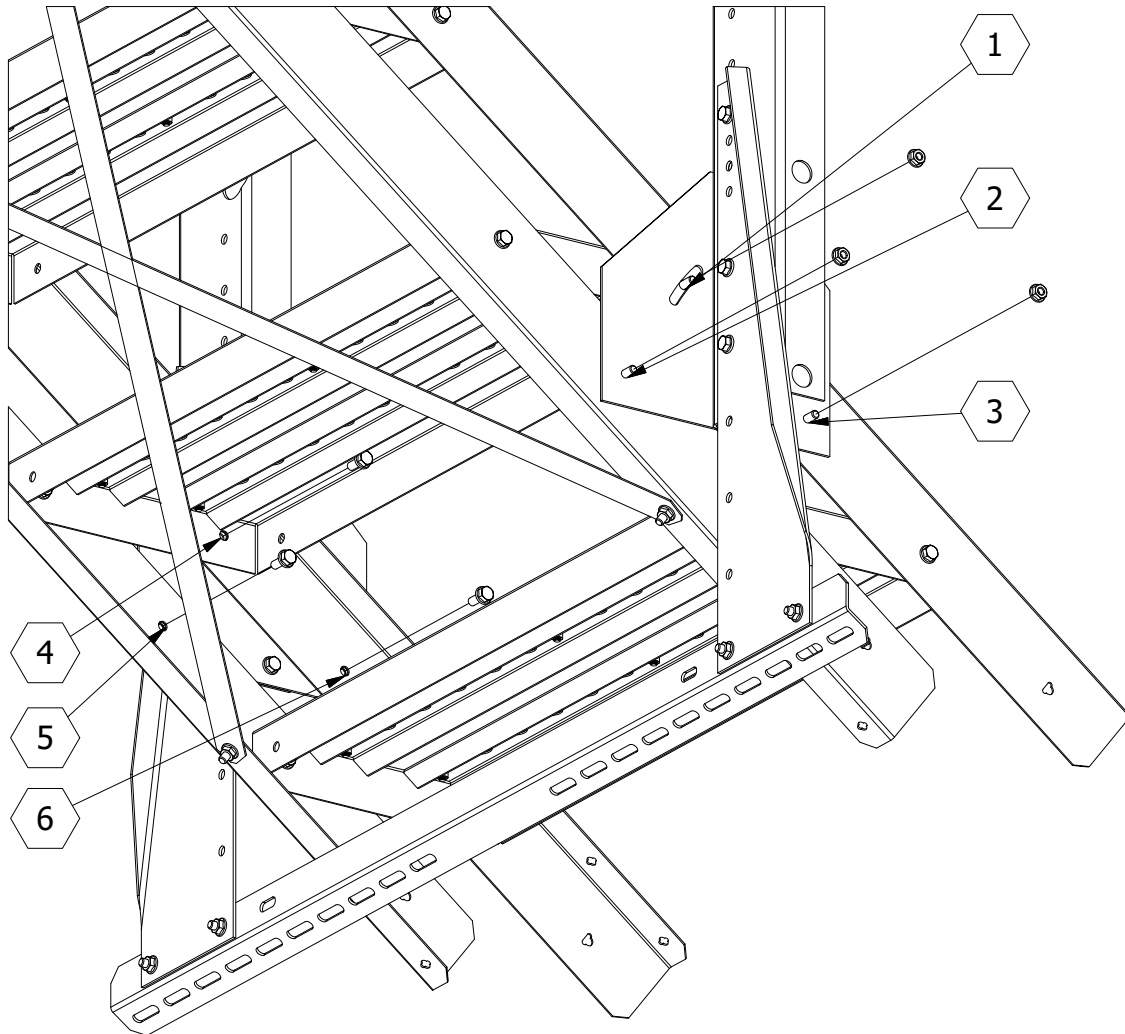
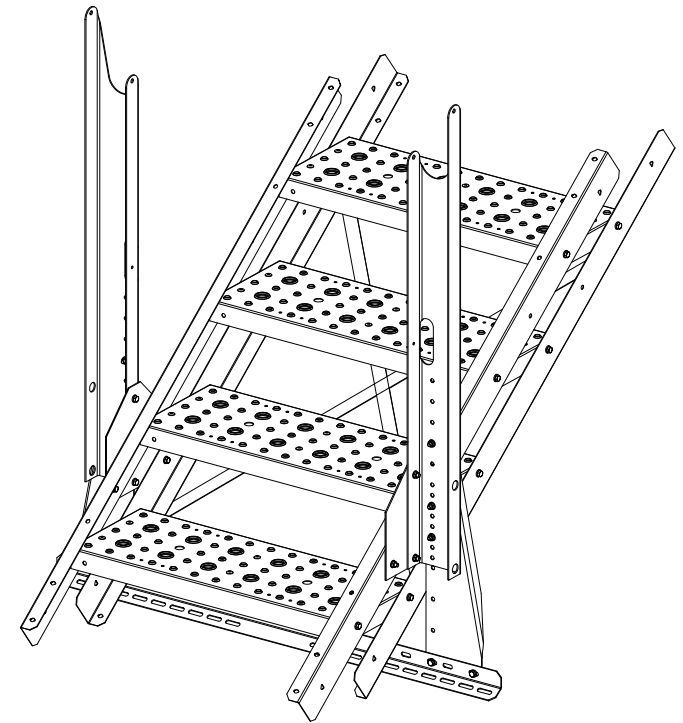


Figure 8

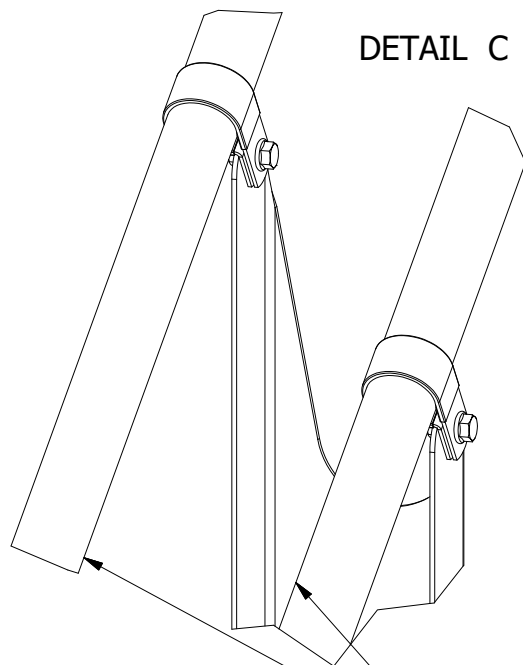
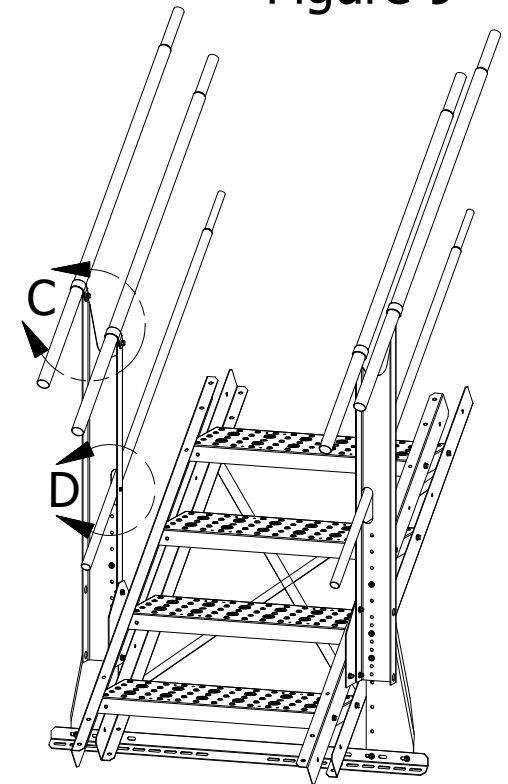


DRAWN Marcus Wilmsmeyer	1/17/2019	Greene Galvanized Stairs East Lynn, IL 217.375.4244 www.greenebinstairs.com	
CHECKED		TITLE A-Series Roof Stairs - 4-Step Assembly Instructions	
QA		SIZE A	DWG NO IN-ART5004
MFG		SCALE 1/17	REV
APPROVED		SHEET 8 OF 9	

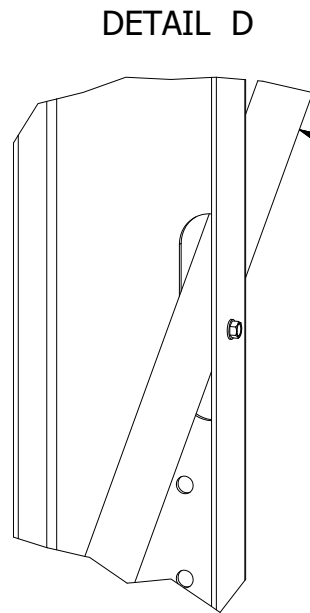
Step 6

- A. Taking the four (4) TR1506006 Swaged Pipes (1.5" dia.), position the pipes as shown in Figure 9, Detail C. Secure the pipes to the posts using four (4) HRC1500 P-Clamps, four (4) 5/16" Flange Bolts, and four (4) 5/16" Lock Nuts.
- B. After the four TR1506006 have been position to the desired location, use four (4) Self-Tapping Screws and secure the 1.5" pipe to the P-Clamp. The screws should be drilled through the bottom of the P-clamp, to minimize interference with hands.
- C. Take the two (2) TR1006006 Swaged Pipes (1" dia.), and position them as shown in Figure 9, Detail D. Secure them to the posts by using two (2) Self-Tapping Screws. There is a hole on the post to aid in starting the Self-Tapping Screw.

Figure 9



DETAIL C



DETAIL D

TR1006006

TR1506006

PARTS USED IN STEP 6		
PART NUMBER	DESCRIPTION	QTY
5/16-18x3/4FB	5/16"-18 x 3/4" Flange Bolt	4
5/16-18SFN	5/16"-18 Whiz Lock Nut	4
HRC1500	1.5" Handrail P-Clamp	4
Floor Screw	Self-Tapping Screw	6
TR1506006	1.5" Handrail, Swaged	4
TR1006006	1" Handrail, Swaged	2

DRAWN Marcus Wilmsmeyer	1/17/2019	Greene Galvanized Stairs East Lynn, IL 217.375.4244 www.greenebinstairs.com	
CHECKED		TITLE	
QA		A-Series Roof Stairs - 4-Step Assembly Instructions	
MFG		SIZE	DWG NO
APPROVED		A	IN-ART5004
		SCALE	REV
		1/23	
		SHEET	9 OF 9