

**Model P-2C02-PS**

**Pump Data**

2C HP 4-7/8 Imp, 1 Stage Centrifugal Pump

316L SS Corrosion Resistance Construction

Built-In Overload / Auto-Reset Provided

11amp 230V Single Phase UL Motor

1-1/4 FNPT Suction

**Pump Flow**

( not for certification use )

GPM	0	50	60	80	90	100
PSI	39	35	32	29	26	23

**Components**

A - 1-1/4 Galvanized Riser

B - Supervised Control Valve

C - Water Pressure Gauge

D - 40 60 Pressure Switch

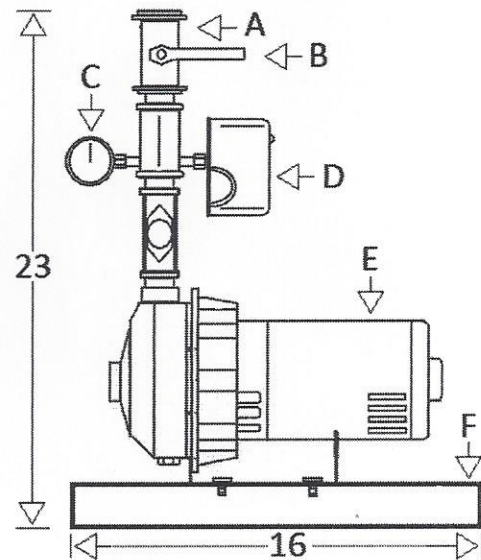
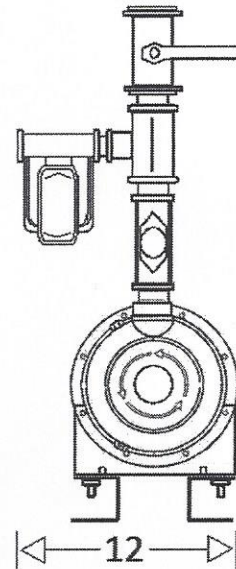
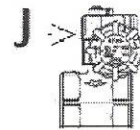
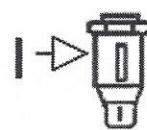
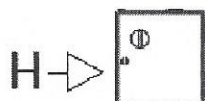
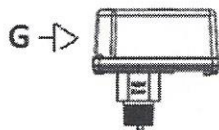
E - 2C HP UL Motor with Pump

F - Elevated on Steel Frame

\*Wiring in Liquid Tight Conduit ( not shown )

**Check Box for Optional Equipment**

- G -Flow Switch ( +7 H)
- H-D Panel Pump Controller
- I-Bypass Line with Backflow Preventer ( +4W )
- J- Butterball Valve
- K- Wired 110V 21amp



\*Note: all measurement in inches