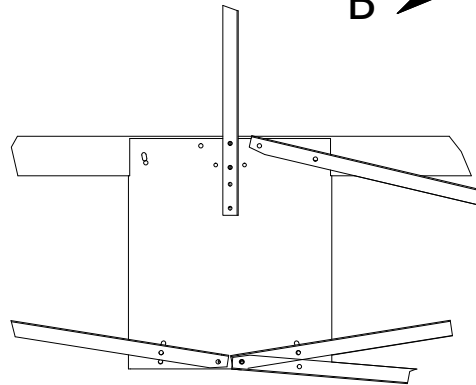
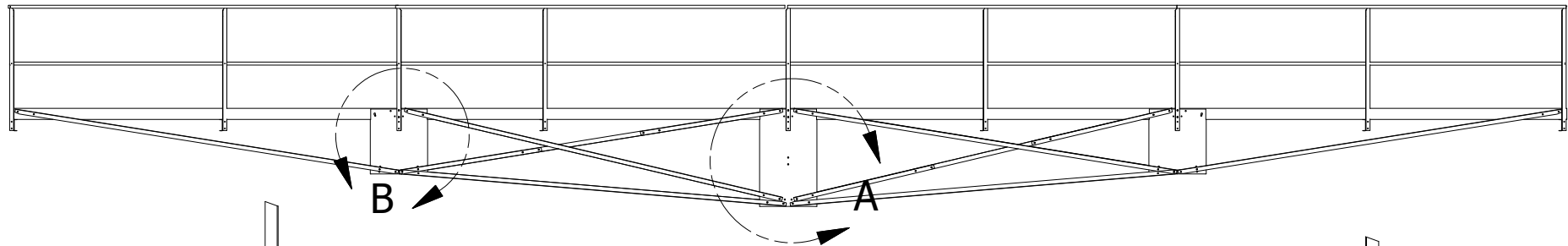


PARTS LIST		
ITEM	QTY	PART NUMBER
1	4	12 Manwalk deck
2	4	6205 Splice Plate
3	2	6236 splice plate
4	12	6212 12' Brace
5	12	6312 Short 12' brace
6	7	6203 Plate Brace
7	9	6207 Manwalk Post L
8	6	6208 Post Brace
9	9	6206 Manwalk Post R
10	16	HR1144
11	12	HRS185 Handrail slice

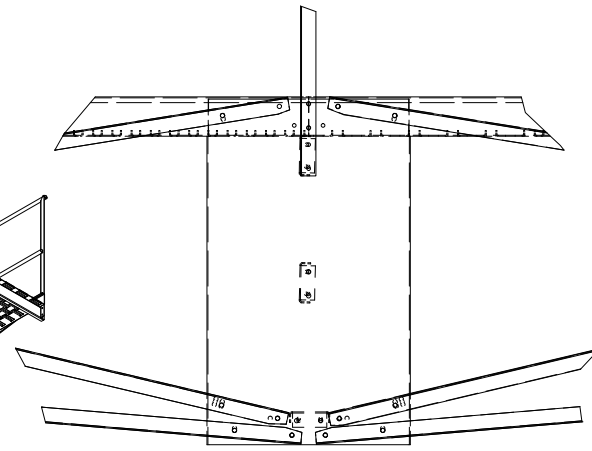
IN-62011



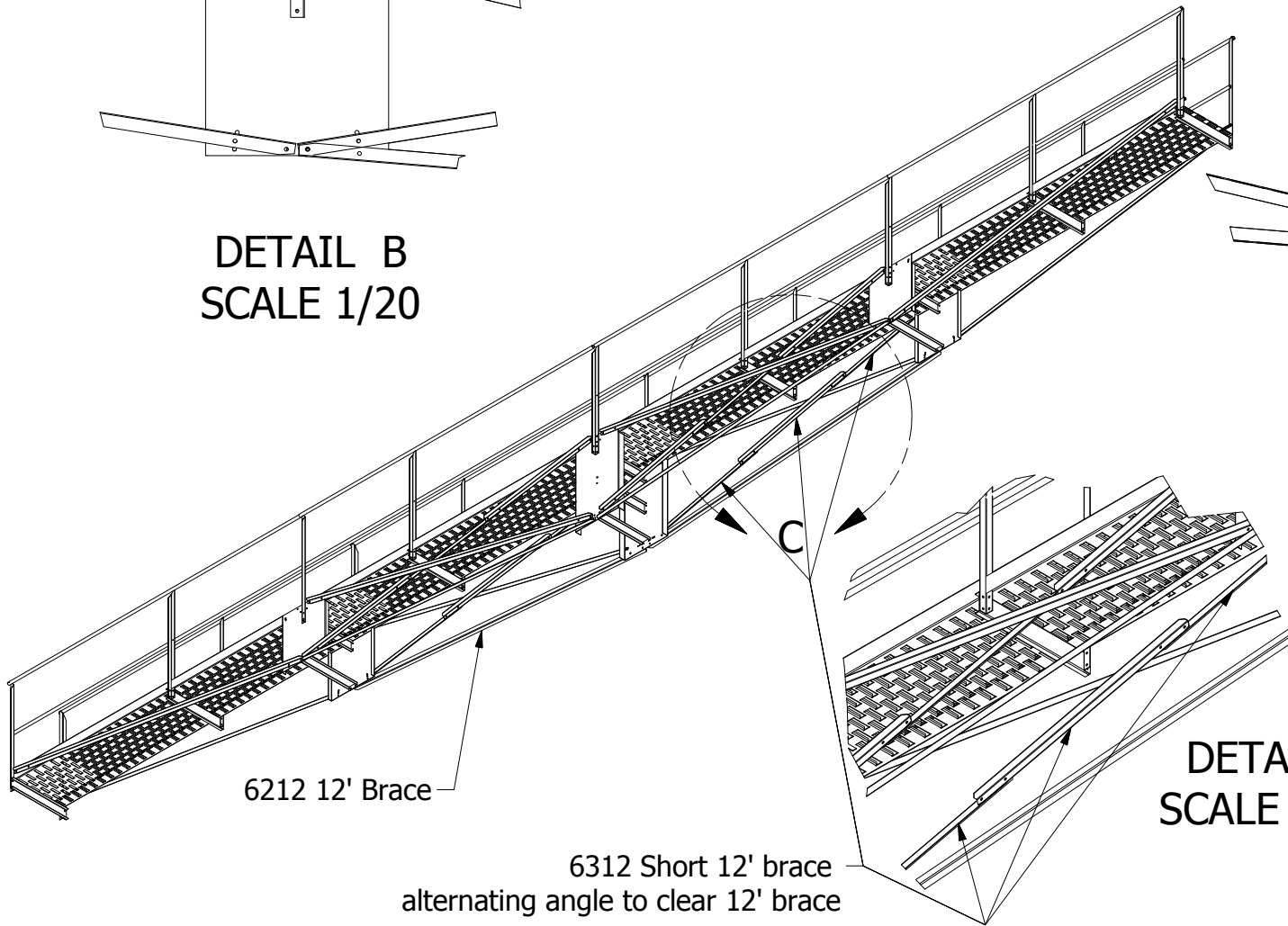
DRAWN	Mike Adams	1/30/2012
TITLE	48' Manwalk Instruction Details	
SIZE	A	DWG NO
DO NOT SCALE	REV	48' Manwalk Instructions Detail
		SHEET 1 OF 3



DETAIL B
SCALE 1/20



DETAIL A
SCALE 1/20



6212 12' Brace

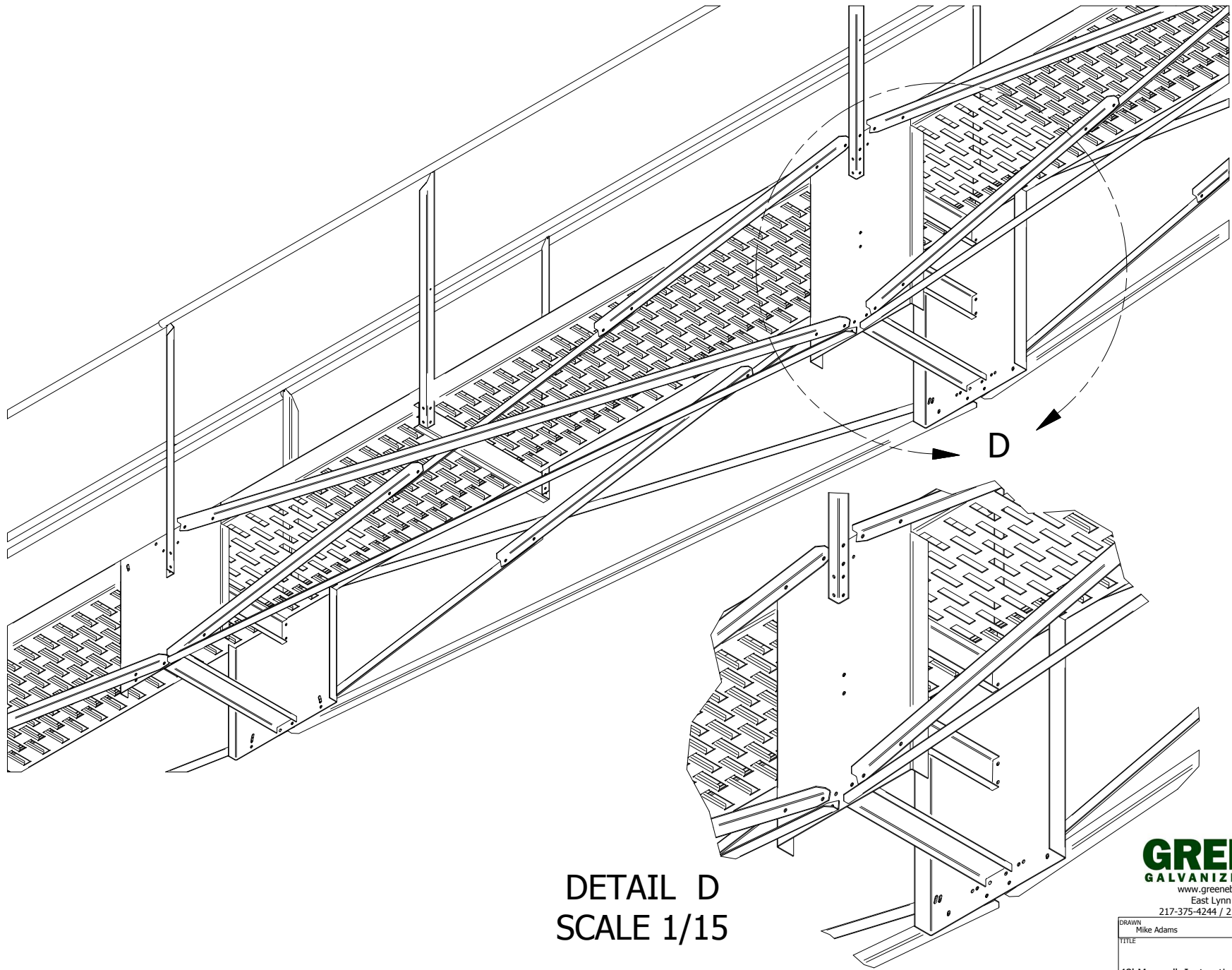
6312 Short 12' brace
alternating angle to clear 12' brace

DETAIL C
SCALE 1 / 30

GREENE
GALVANIZED STAIRS

www.greenebinstairs.com
East Lynn IL 60932
217-375-4244 / 217-375-4245 FAX

DRAWN Mike Adams		1/30/2012
TITLE 48' Manwalk Instruction Details		
SIZE A	DWG NO 48' Manwalk Instructions Detail	REV
DO NOT SCALE		SHEET 2 OF 3



DETAIL D
SCALE 1/15

GREENE
GALVANIZED STAIRS
www.greenebinstairs.com
East Lynn IL 60932
217-375-4244 / 217-375-4245 FAX

DRAWN Mike Adams		1/30/2012
TITLE 48' Manwalk Instruction Details		
SIZE A	DWG NO 48' Manwalk Instructions Detail	
DO NOT SCALE! REV		SHEET 3 OF 3