

Specifications

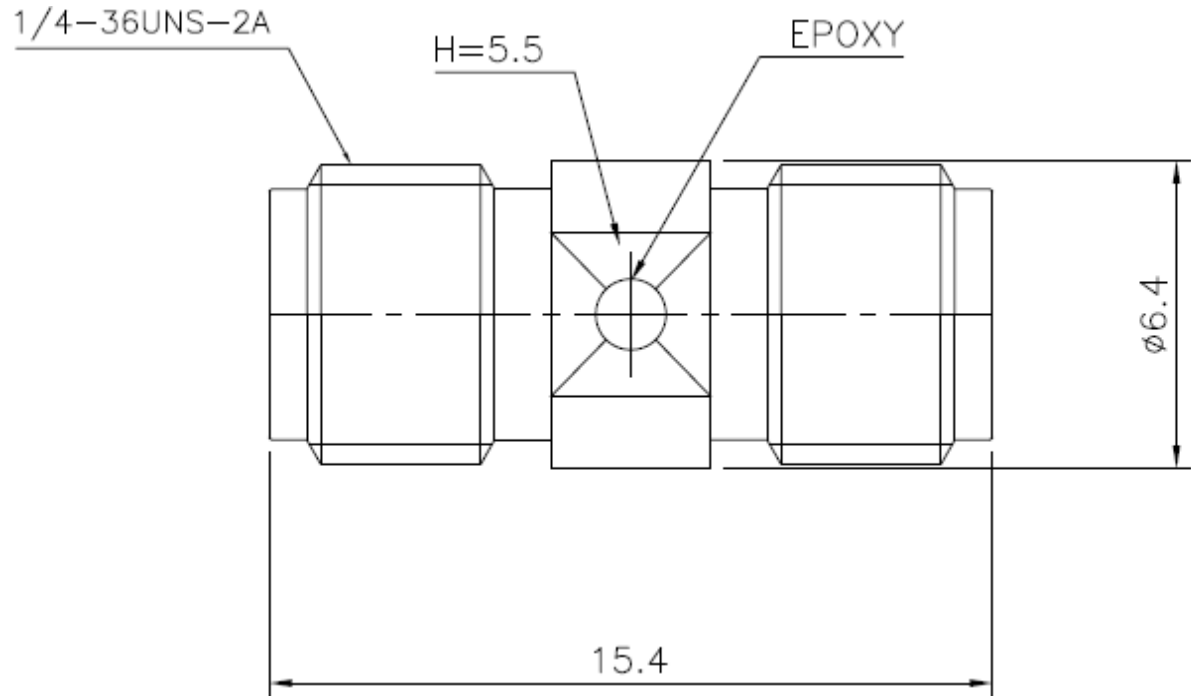
Frequency range: DC-18GHz

Nominal Impedance: 50 Ohm

VSWR: 1.20:1 max. @ 18 GHz

Oper. Temperature range ; -55C- +155C

RoHS Compliant



Adapter Part

Material

Plating

Body	Stainless Steel	Gold
Center contact	Beryllium Copper	Gold
Insulator	PTFE	N/A



Premier RF

17 Roslyn CT
Patchogue, NY 11772
PH: 631-447-3804
sales@premier rf.com
www.premier rf.com

Dimensions in mm	PART NUMBER	PRF-AD1F1F-SG
11/04/2012	DESCRIPTION	SMA FEMALE TO SMA FEMALE ADAPTER, DC-18 GHz
APPROVED		
C. Smith		