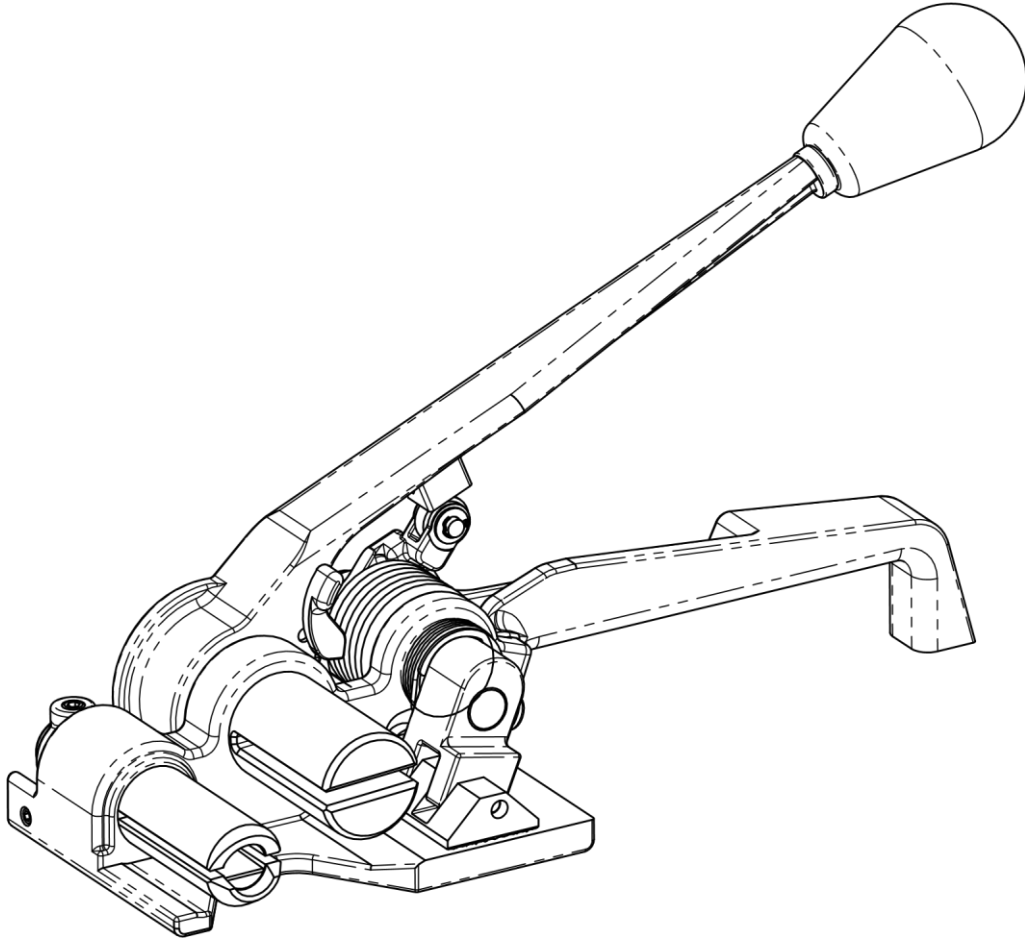


MUL-375 Tensioner for CORD

Operation Manual



Strap Type	Polyester (PET)
Strap Width	3/4" (19 mm) to 1 1/4" (32 mm)
Strap Thickness	All existing straps
Joint Type	Seal
Weight	6.5 lbs (3 kg)
Footprint	L: 4.75"; W: 3.5"
Handle Length	12"

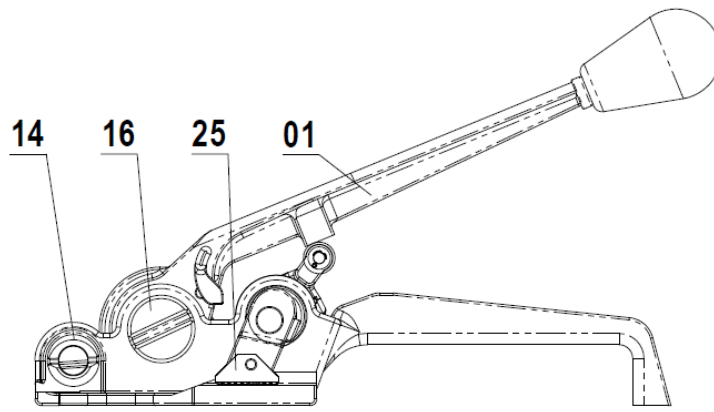


Fig. 1 – Starting Position

1. Wrap the strap around the package. Load one end of the strap into the **Buckle 100**. Load the other **End 102** into **Buckle 100**. Manually, take out the excess strap by pulling on **End 102**. Place the **MUL-375** approximately 10" out of the **Buckle 100** as shown on Fig. 2.

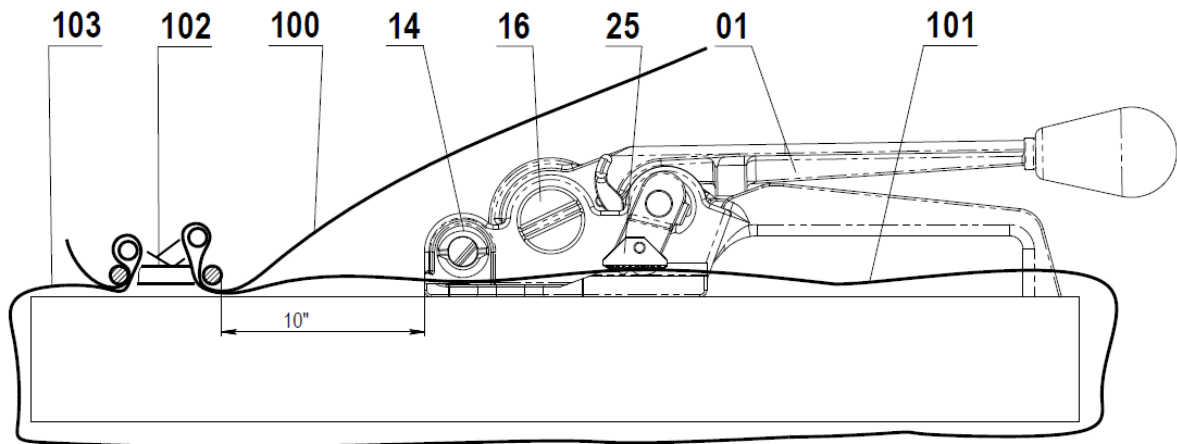


Fig. 2

2. Raise **Gripper Foot 25** by pressing down on **Tension Handle 01**. Load bottom strap **101** under **Cutter Housing 14**, under **Gripper Foot 25** and relies **Tension Handle 01**. Load upper strap **102** through **Cutter Housing 14**, through **Windlass 16** as shown on Fig. 3.

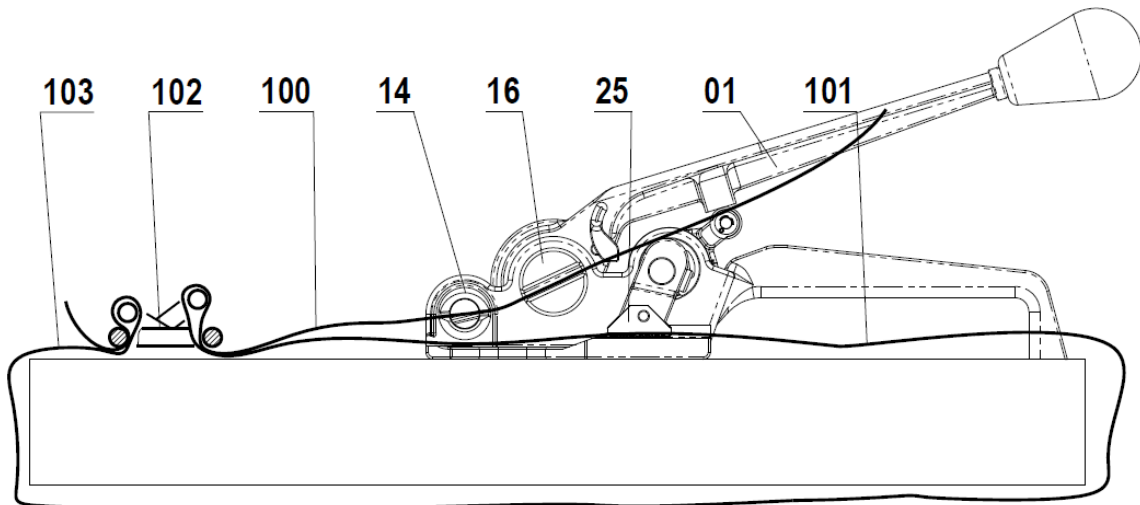


Fig. 3

3. Apply tension by ratcheting **Tension Handle 01** as shown on Fig. 4.

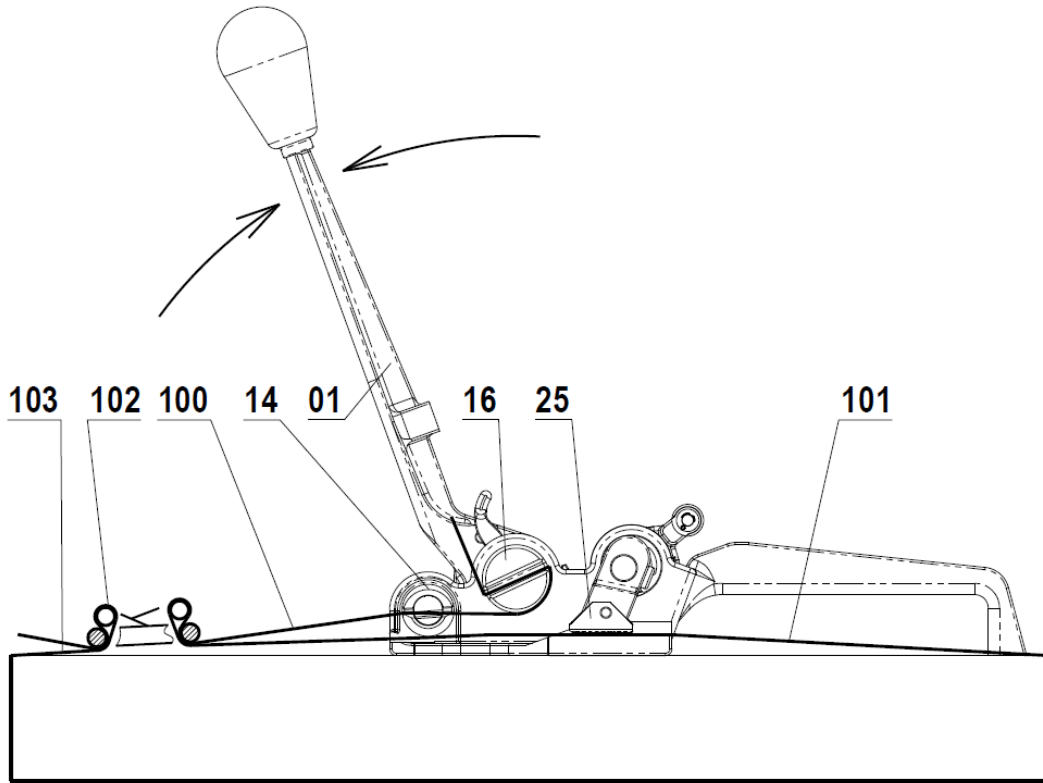


Fig. 4

4. Once satisfactory tension is achieved the strap is ready to be cut. Push down on the **Tension Handle 01** until the strap is cut and slide the tensioner to the right to release the strap from under the **Gripper Foot 25** as shown on Fig. 5. The operation cycle is now complete.

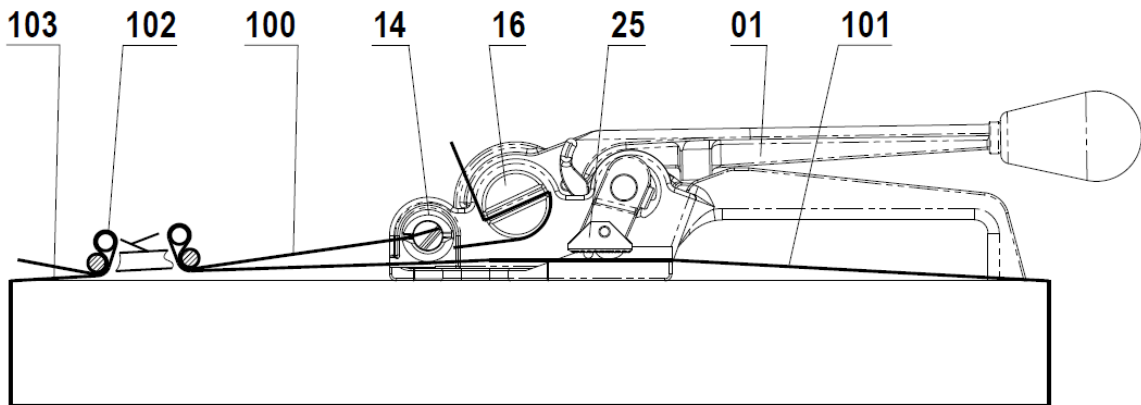


Fig. 5