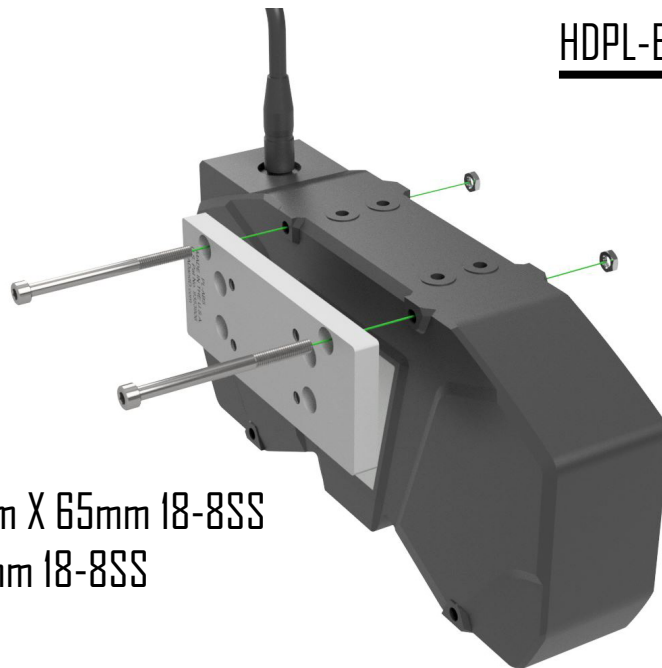
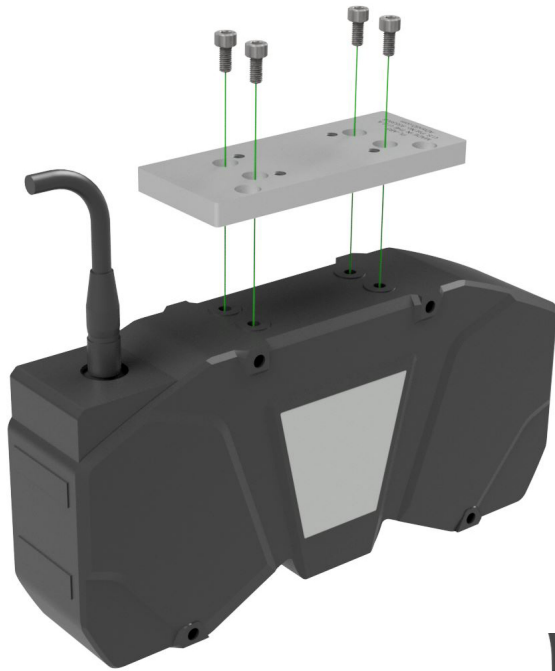


ADandD P/N PL-AB5

Mounting for Keyence XR-HT15M /MD

Mounts with included (4) S.H.C.S. - M5-0.8mm X 10mm 18-8SS



Alternately

Mounts with included:

(2) S.H.C.S. - M5-0.8mm X 65mm 18-8SS

(2) JAM NUT - M5-0.8mm 18-8SS

Sample Setup Application

