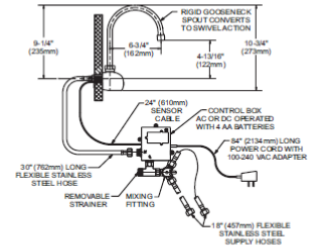
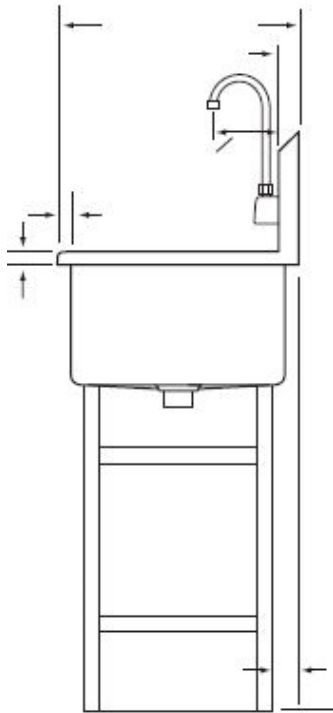


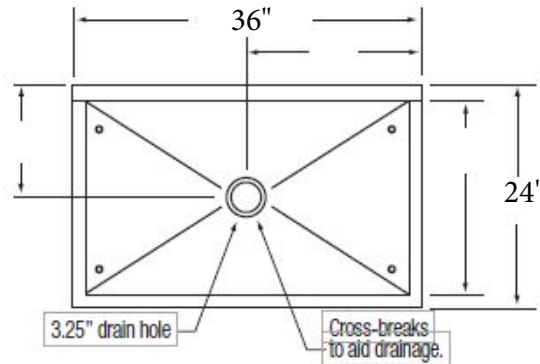
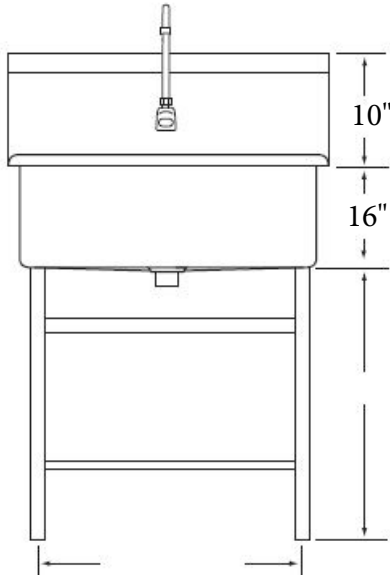
Wicketts Stainless

SPECIFICATION

Commercial Sink Heavy Duty
DEEP Wash Sink



WALL MOUNT



Model Number	L	W	L1	D	W1	BS
WWT-3624-16-SF-LF	36	24	33	16		10

Engineering Specification:

14 gauge, type 304 stainless steel wash sink. Top 1-3/8" rolled rims. 1 1/2" welded in grid drain. Exposed surfaces polished to a satin finish. Supported on (2) wall brackets and clips.

Wicketts Stainless, LLC.
2618 San Miguel Dr. Bldg. # 376
Newport Beach, CA 92660
Tel: 951-858-2548
Fax: 951-638-9059
www.wickettsstainless.com
sales@wickettsstainless.com



Approved for Manufacturing
Company: _____
Signature: _____
Print: _____ Date: / /