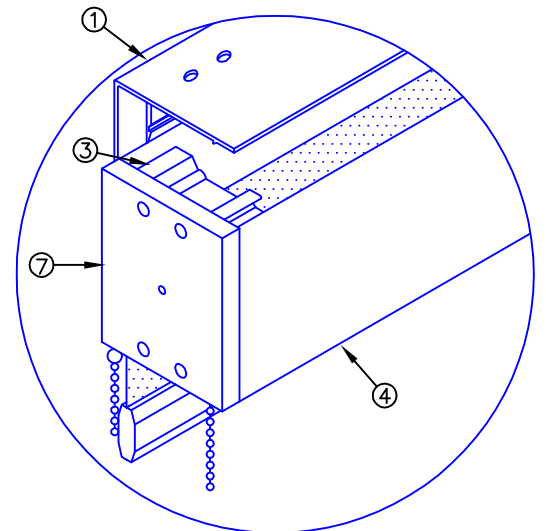
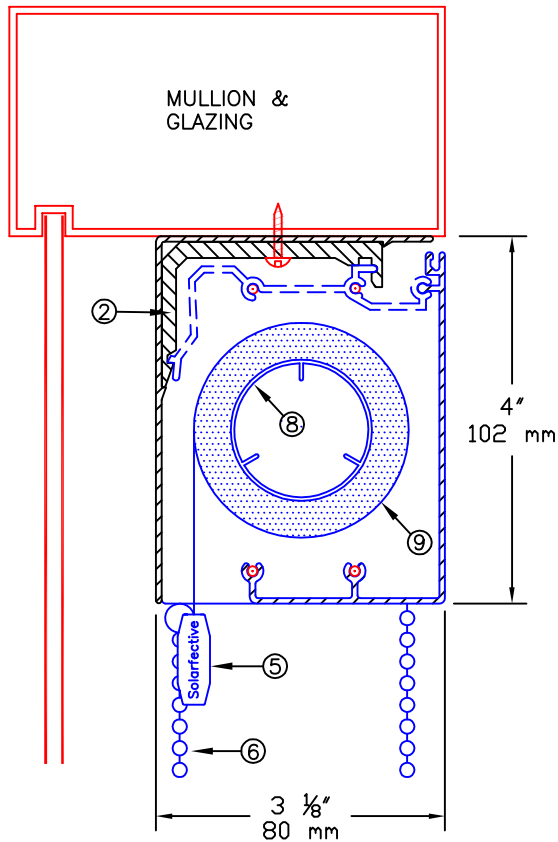


THE TELESHADE MOUNTED
TO THE FACE OF THE MULLION



NOTES:

1. EXTRUDED ALUMINUM BACK FASCIA
2. MOUNTING ANGLE
3. SPRING CLIP
4. EXTRUDED ALUMINUM FASCIA
5. EXTRUDED ALUMINUM EXTERIOR HEMBAR
6. STAINLESS STEEL BALL CHAIN
7. ABS END BRACKETS
8. 1 1/2" Ø EXTRUDED ALUMINUM TUBE
9. FABRIC: 1%, 3%, 5%, 10% OPENNESS OR BLACKOUT

Solarfective

55 Hymus Road, Scarborough
Ontario, Canada. M1L 2C6

Tel. (416) 421-3800
Fax. (416) 421-8424

Web Site: www.solarfective.com
Email: shades@solarfective.com

TELESHADE SYSTEM
BACK FASCIA MOUNTING DETAIL

PROJECT: -

DATE:
JAN. 01, 2015

SCALE:
N.T.S.

FILE No.
-

DRAWN:
ADIE

DWG. No.
T-2

REV
0