

Model F-102-RC

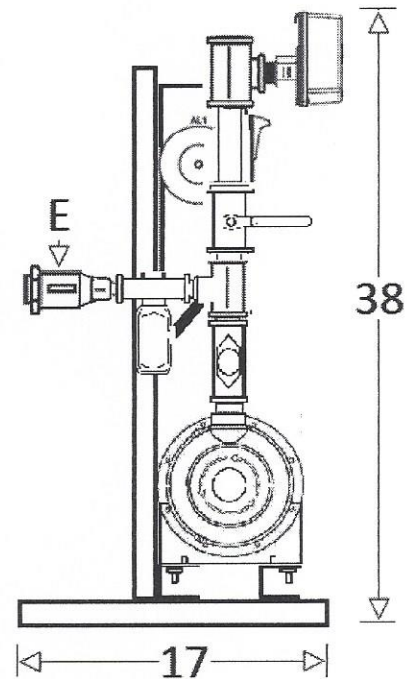
Pump Data

- 1HP 5-3/16 Impeller, Single Stage Centrifugal Pump
- 316L SS Corrosion Resistance Construction
- Built-In Overload With Auto-Reset Provided
- 8amp 230V Single Phase UL Motor
- 1-1/4 F IPT Suction

Pump Flow

GPM	0	20	25	30	35	40
PSI	49	43	40	37	34	31

Attention! This package uses an un-listed pump. For 13R application, be sure AHJ has accepted!



Components

- A. Flow Switch
- B. 1-1/2 F IPT Galvanized Riser
- C. UL Listed Residential Fire Pump Controller
- D. Supervised Control Valve
- E. Bypass Line with Backflow Preventer
- F. Manual back up Water Pressure Gauge
- G. Electronic Pressure Transducer
- H. Powder Coated Steel Frame
- I. 5HP Motor Stainless Pump

Optional equipment

- J. 1-1/2 Butterball Tamper Switch

