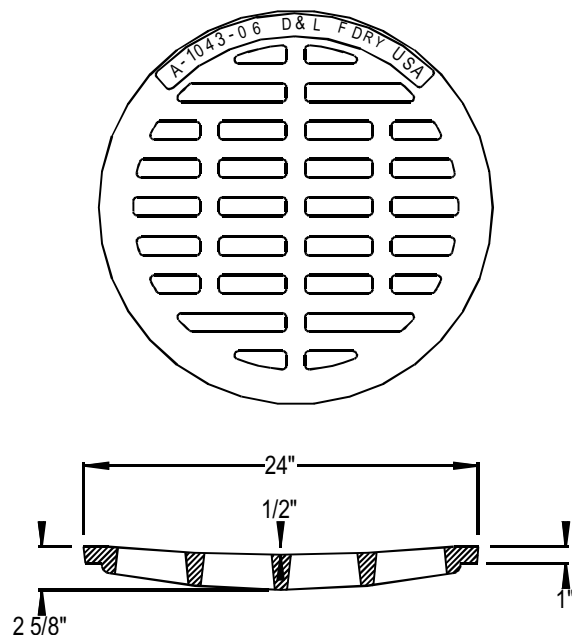
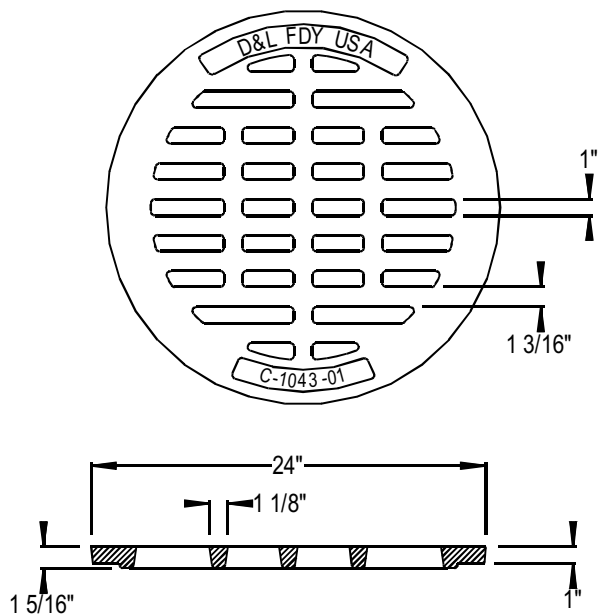


C-1043

24" Diameter Grates

Flat Grate

Concave Grate



C-1043-01 = Flat Grate:
Estimated Weight = 109 lbs

C-1043-02 = Concave Grate:
Estimated Weight = 122 lbs

Estimated Open Area of both Grates = 85 square inches

CAST RO conforms to ASTM A-48-93 Class 35B Meets H-20 Wheel Loading	D&L model o C-1043		DL Foundry & Supply CA Sales: (707) 557-4525 fax: (707) 557-4655 UT Sales: (801) 785-5015 fax: (801) 785-0835 WA Sales: (509) 765-7952 fax: (509) 765-8124
	Estimated Weight of C-1043 see above		
Designation: C-1043	Date: September 2002	prepared by: esse Wal er	D&L Supply (not to scale)