

Specifications

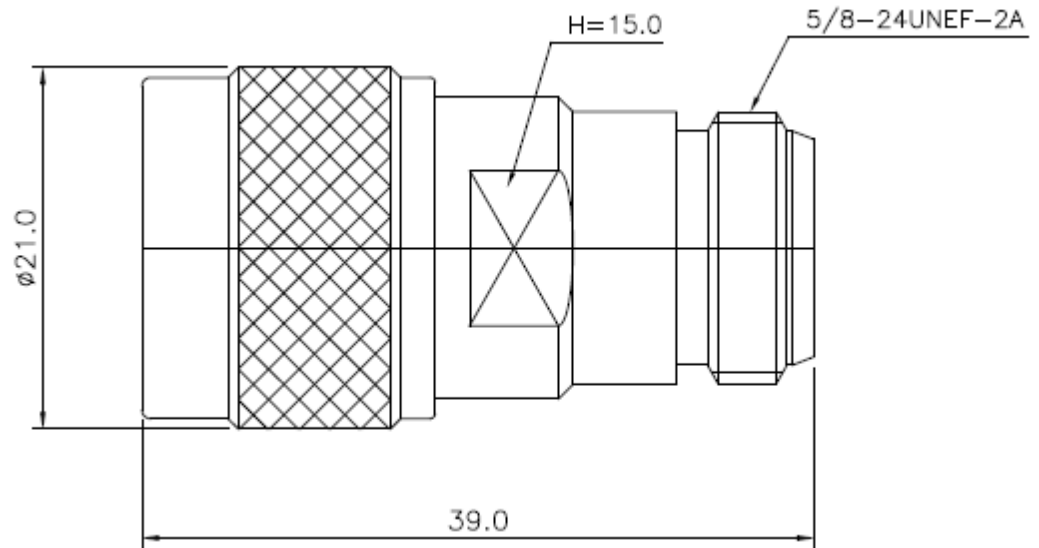
Frequency range ; DC-11 GHz

Nominal Impedance ; 50 OHm

VSWR; 1 .20:1 max.

Oper. Temperature range ; -55-+145"C

RoHS Compliant



Adapter Part

Material

Plating

Cap, Body	Brass	Nickel
Center contact	Beryllium Copper	Gold
Insulator	PTFE	N/A



Premier RF

17 Roslyn CT
 Patchogue, NY 11772
 PH: 631-447-3804
 sales@premier rf.com
 www.premier rf.com

Dimensions in mm	PART NUMBER	PRF-AD2M2F
03/10/2012	DESCRIPTION	N MALE TO N FEMALE ADAPTER, DC-11 GHz
APPROVED		
C. Smith		