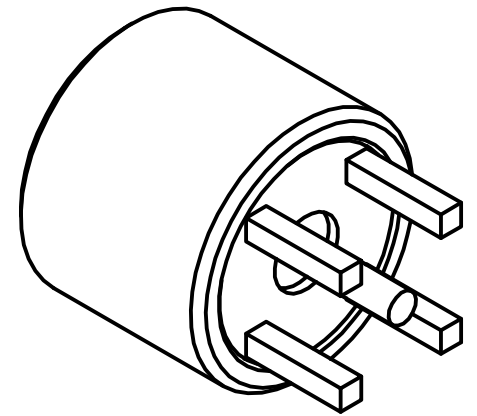
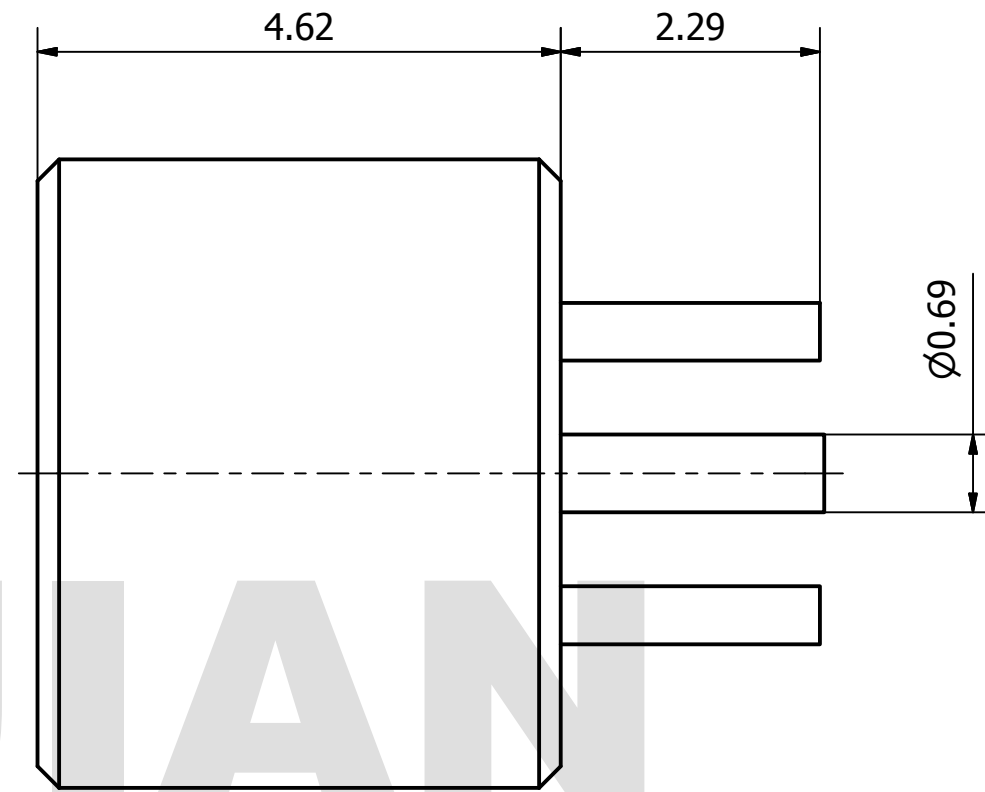
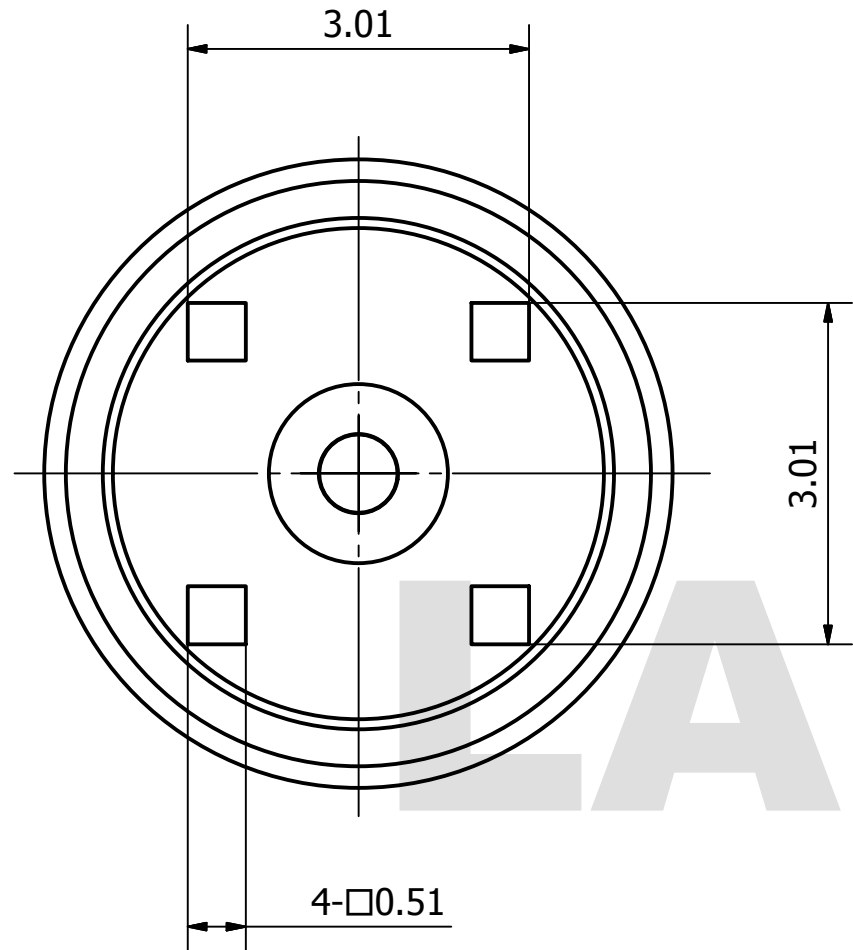


PRODUCT DATA SHEET



MATERIAL:
 BODY: STAINLESS STEEL PER AMS-5640,
 ALLOY UNS S30300
 BERYLLIUM COPPER PER ASTM B196.
 CONTACT: BERYLLIUM COPPER PER ASTM B196.
 INSULATOR: PTFE PER ASTM D1710

PERFORMANCE:
 IMPEDANCE: 50 OHMS
 FREQUENCY: DC TO 40 GHz
 VSWR: ≤ 1.30

THIS DOCUMENT CONTAINS CONFIDENTIAL AND PROPRIETARY INFORMATION THAT CANNOT BE REPRODUCED OR DIVULGED, IN WHOLE OR IN PART, WITHOUT WRITTEN AUTHORIZATION FROM "LANJIAN ELECTRONICS"	MATERIAL :			LANJIAN ELECTRONICS 38 Hengtong Road, Xinqu Dingmao Zhenjiang, 212009, Jiangsu, P. R. China		
	UNLESS OTHERWISE SPECIFIED: DIMENSIONS IN MM					
	TOLERANCES :			TITLE SMP01036-1111 PCB connector		
	X.X	± 0.20	ANGULAR : ± 1°			
	X.XX	± 0.10	FILLETS R/C : ± 0.10			
	X.XXX	± 0.01	SURFACE FINISH : Ra 1.6	DEBURR AND BREAK SHARP EDGES		
		NAME	DATE	SIGNATURE		
	DRAWN					
	CHK'D					
	APPV'D					
MFG						
PROJECTION		SIZE	SCALE		DWG No.	
		A3	15 : 1		GCPZ3.650.G.001	
DO NOT SCALE THE DRAWING					REV. PAGE 1 / 1	