

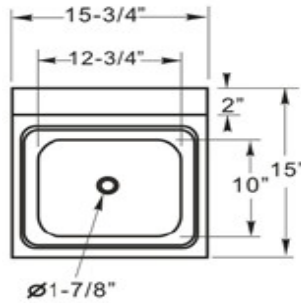
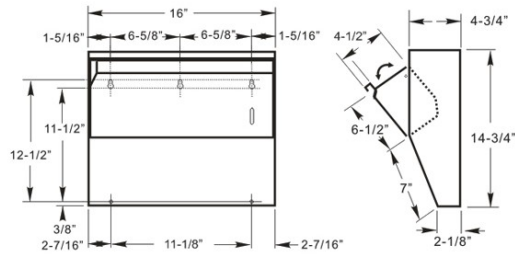
WICKETTS STAINLESS

Stainless Steel Hand Sink
 WHS 1615-CG LEAD FREE
 Paper Towel & Soap Dispenser

SPECIFICATION



HS-CFO



Product #	Description
WHS 1615-CG	16 X 15 Wall Mount Hand Sink With Lead Free Faucet; Paper Towel Soap Dispenser

WICKETTS STAINLESS, LLC
 2618 San Miguel Dr. Bldg.# 376
 Newport Beach, CA 92660
 Tel.(951)-858-2548
 Fax.(951)-638-9059
 sales@wickettsstainless.com
 www.wickettsstainless.com



Approved for Manufacturing
 Company: _____
 Signature: _____
 Print: _____ Date: ___/___/___