

NORMAN[®]
SHUTTERS. BLINDS. SHADES.



Quality Wholesale Window Coverings
Contract • Hospitality • Healthcare • Residential

Woodlore[®] Shutters

Program Reference Guide

2020

Effective Date	Topic	Section	Note
2020/02/20	Frame Styles, Special Options,	e,k	<p>e: add content: Default principle: Regarding shutter with horizontal T-post type issue: Horizontal T-Post type will always be the Chamfer T post unless otherwise specified.</p> <p>k: Café Shutters add content: When the height of the framing material (including t-posts) exceeds the panel height, by more than 5", a surcharge will apply.</p>

2019 Shutter Revision log



Effective Date	Topic	Section	Note
2019/01/01	Colors Option Louvers Options Frame Options Delete Specialty Option	All except j&n	2019 updated specification
2019/01/01	Specialty Option	o	Added Specialty Option but changed to Hardwood Specialty Shapes
Middle of January 2019	Motorized	n	2019 updated specification
2019/01/07	Hardwood Specialty Shape	o	Remove Hardwood Specialty Shape
2019/01/10	Track	j 2	Add 3" louver for Open bypass
2019/02/01	color	e,i,m	Add 6 new hinge colors Change color coordination chart
2019/02/01	stile	c	Add stile options Optional: Chamfer stile
2019/02/27	Side magnet	i	Add notes: if panels only with side magnets and there is no standard magnet on the back of panels, panels may open for external factors.
2019/03/01	tracks	j1, j2	2016 stopper Change Note: Bifold track: For 90° Floating Panels outside mount/semi-inside mount without side boards but with fascia return , the 2016 Stopper will be supplied by default. The gap between the fascia return / end of top track and the panel is 5mm each side. Bypass track: 1. Note: For Semi-Inside/OM bypass without side boards but with fascia return , 2016 Stopper will be supplied. 2. Note: For outside mount/semi-inside mount bypass without side boards but with fascia returns , the 2016 Stopper will be supplied by default. The gap between the fascia return / end of top track and the panel is 5mm each side.
2019/03/13	New PerfectTilt RF	n/j2	O: Revise Norman Dial (Remote) Dimensions : 68mm diameter x 21mm j2: 2016 Track Shutters-Bypass

2019 Shutter Revision log



2019/03/16	New PerfectTilt RF	n	Add comments of PerfectTilt G4 & groups
2019/04/09	surcharge notes	b,e,g,i,k	Change notes from *Surcharge applies. Please see Options and Surcharges page for details to *Some surcharges apply on the bottom of a page
2019/04/27	New PerfectTilt RF	n	Hub note: change "It will be available in March 2019" to "It will be available soon"
2019/05/06	Batten size, pole	k,i	K: remove batten size of Type E/F. I: Pole remove pole length 43"
2019/05/09	Custom T post	e	move Custom T post comment near to T post drawing
2019/07/10	New PerfectTilt RF		Change Micro USB cable usage.
2019/07/15	New PerfectTilt RF		1. Remove the N section, and that motorization is now in a separate program binder; 2. Add Micro USB Cable Length: 3 meters;
2019/08/05	Custom T post, S1 and S2 Scribe trim	e	1. Add content for Custom T post: <ul style="list-style-type: none"> ▪ Size limits (7 1/2") ▪ Available for composite but it will be made from wood ▪ That a surcharge applies and customers should refer to their shutter pricing ▪ Any limitations 2. Add drawing and description of the S1 and S2 Scribe trim
2019/08/05	Direct Mount 3" Hinge , Pole	i	1. Add comment: Direct Mount 3" Hinge is not suitable for drywall installations. 2. Increase 1 pole length (2pcs combined by connector).
2019/08/14	Shutter pole	i	Rounding new added pole length to 53" (2pcs combined by connector).
2019/08/26	quarter round scribe trim	e	Add quarter round scribe trim (made in wood)

2019 Shutter Revision log



<p>2019/08/30</p>	<p>Table of Contents , Colors & Louver Sizes/Louver Clearance, Hardware,</p>	<p>b,i,m</p>	<ol style="list-style-type: none"> 1. Revise the table of contents information, rename point b 2. i: Remove Oil-Rubbed hinge color information 3. i: Revise "Nickel" hinge color to "Nickel Plated" , revise color coordination chart 4. i: Remove shutter pole length 32" 5. Remove m section, and that information will be in b&i sections
<p>2019/10/05</p>	<p>Tilt rods; General product specification; Bifold track</p>	<p>f,g,j1</p>	<ol style="list-style-type: none"> 1) Revise Split tilt information. 2). Add Content: Shutters without bottom supports Shutters without bottom supports may sag and deform, including situations below: <ol style="list-style-type: none"> 1. Shutters with bottom gap over 0.1"; 2. Shutters with no frame or no existing sill at the bottom to support the panel (or bottom has frame/existing sill, but the panel keep to open long time without bottom support). 3). Revise track drawing (correct 1 1/2" louver to 2 1/2")
<p>Middle of October</p>	<p>1.6" sill plate with 3/8" light block, 1.6" sill plate with 5/8" light block,</p>	<p>e</p>	<p>Use new 1.6" sill plate with 3/8" light block to replace 1.5" sill plate with 3/8" light block, use new 1.6" sill plate with 5/8" light block to replace 1.5" sill plate with 5/8" light block</p>
<p>2019/10/23</p>	<p>1.6" sill plate with 3/8" light block, 1.6" sill plate with 5/8" light block</p>	<p>e</p>	<p>For all deco frames and L frames with 1/4 Light Block: Use new 1.6" sill plate with 3/8" light block to replace 1.5" sill plate with 3/8" light block, use new 1.6" sill plate with 5/8" light block to replace 1.5" sill plate with 5/8" light block.</p>

2019/11/01	Panel Lock position, Shutter pole	i	<ol style="list-style-type: none"> 1. Panel Lock position: add drawings of L/R/LR panel configuration 2. Update New pole lengths (2pcs Combined by Connector): Poles will be with Plastic Tube.
2019/11/07	Ring Pull	i	<p>Add content:</p> <p>Ring pull location principle for Floating Panels:</p> <ol style="list-style-type: none"> 1. When floating panel config is in pairs, it will be split into halves, the left will be for LL and the right will be for RR. So the ring pull location for FF/FF, FF/FF/FF/FF will be same as that of panel config as LL/RR, LL/LL/RR/RR. 2. When floating panel config is FF, the ring pull location will be same as that of panel config LL. 3. When floating panel config is singular, it will be split into 3 sections, the left and mid sections are for LL and the right section is for RR. So the ring pull location for FF/FF/FF, FF/FF/FF/FF/FF will be same as that of LL/LL/RR, LL/LL/LL/RR/RR.
2019/12/05	Slim Fit Posts	e	<p>Add content:</p> <p>Note: Due to size and weight limitations, Slim Fit Posts may only be hinged on one side and with a single panel (no bi-folded panels). Please consider this when determining panel configuration.</p>

Woodlore® Shutters

Table of Contents	Page
a. Features & Benefits	WL a-1
b. Colors & Louver Sizes/Louver Clearance	WL b-1
c. Stiles	WL c-1
d. Panel Configurations	WL d-1
e. Frame Styles	WL e-1
f. General Product Specifications	WL f-1
g. Tilt Rods	WL g-1
h. Divider Rails	WL h-1
i. Hardware	WL i-1
j. Track Shutters	WL j-1
k. Special Options	WL k-1
l. Pricing	WL l-1
m. Appendix	WLm-1

Effective 2020

Woodlore® Shutters

Features and Benefits

- Built around the concept of modern convenience, Woodlore is made of composite wood harvested from well-managed forests and finished with a polypropylene coating that prevents moisture absorption and allows for easy stain removal. It **resists cupping, warping and twisting**.
- **Reinforced engineered stiles** – Stile core durability reinforced with multiple layers of wood bonded together. The result is a robust support system for shutter panels.
- **UV inhibitor** protects shutters and home décor from UV rays, prevents color fading and sun damage.
- Woodlore's **classic solid colors** harmonize brilliantly with any décor. **The beauty, durability and quality finish** of Woodlore shutters **is reasonably priced**.
- Multiple stile options are available in various sizes to accommodate different window configurations. **Astragal** or **Rabbet stiles** provide a natural light block between panels.
- A wide range of **frames with inserts**, which keep installation screws out of sight for a clean and decorative look, match any style and preference.
- Personalize shutters with **special options**. Choose from fixed louvers, hidden or offset tilt rods, café styles, bay and corner window shutters, track systems and many more.
- Quick and easy on-site assembly and installation with the **pre-installed magnets and hinges, pre-mitered frames** and **slotted keyholes**.
- A guarantee of Norman Shutters exemplary quality with a **lifetime limited warranty on materials and workmanship**.

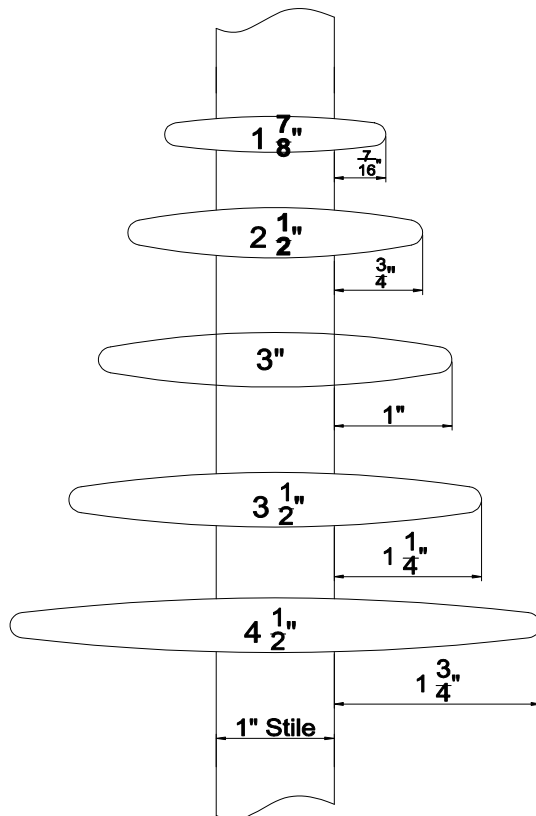
Colors & Louver Sizes/Louver Clearance

Solid Colors

Color ID	Color Name
001	Pure White
003	Silk White
006	Pearl
012	Crisp Linen
019	String
032	Sea Mist
049	Stone Gray
051	Brown Gray
080	Taupe Gray

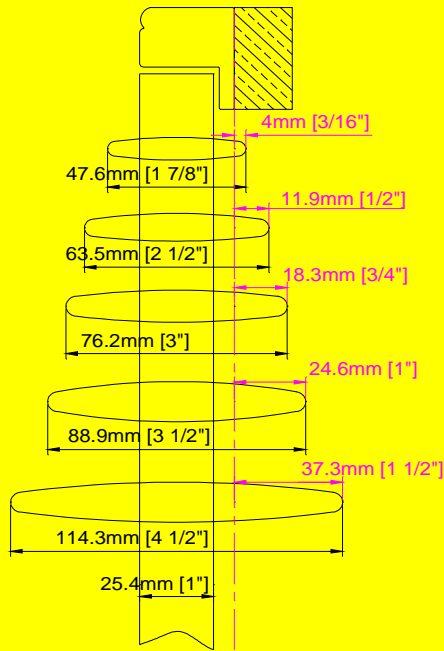
Louvers	
Elliptical	1 $\frac{7}{8}$ "* 2 $\frac{1}{2}$ " 3" 3 $\frac{1}{2}$ " 4 $\frac{1}{2}$ "

Louver Depth Clearance

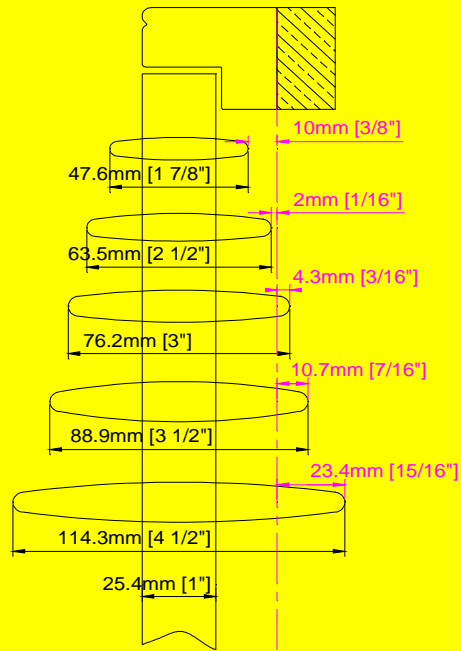


*Some surcharges apply

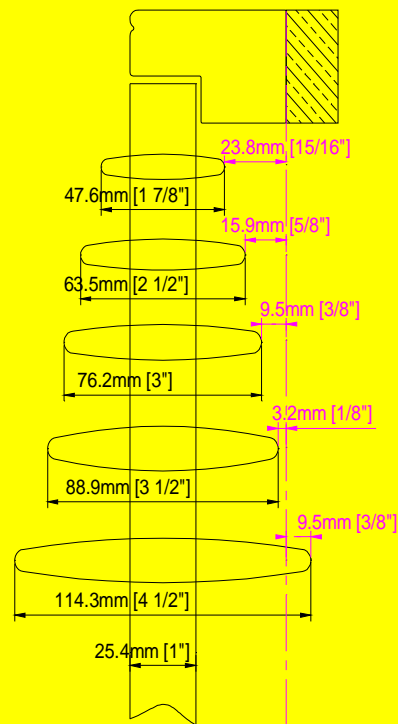
Louver Depth Clearance For Specific Frames



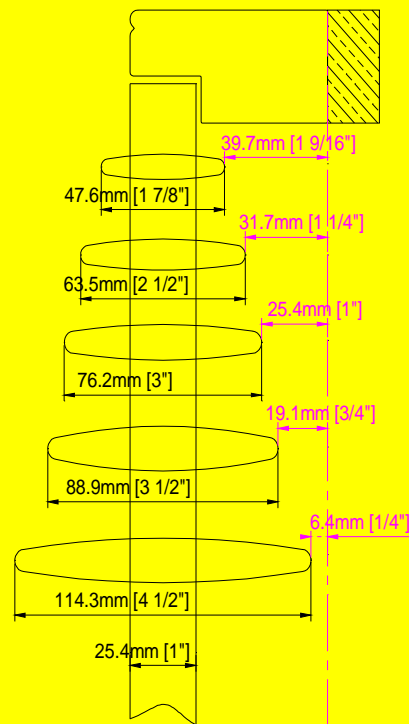
L Frame with 1/4" light block



L Frame

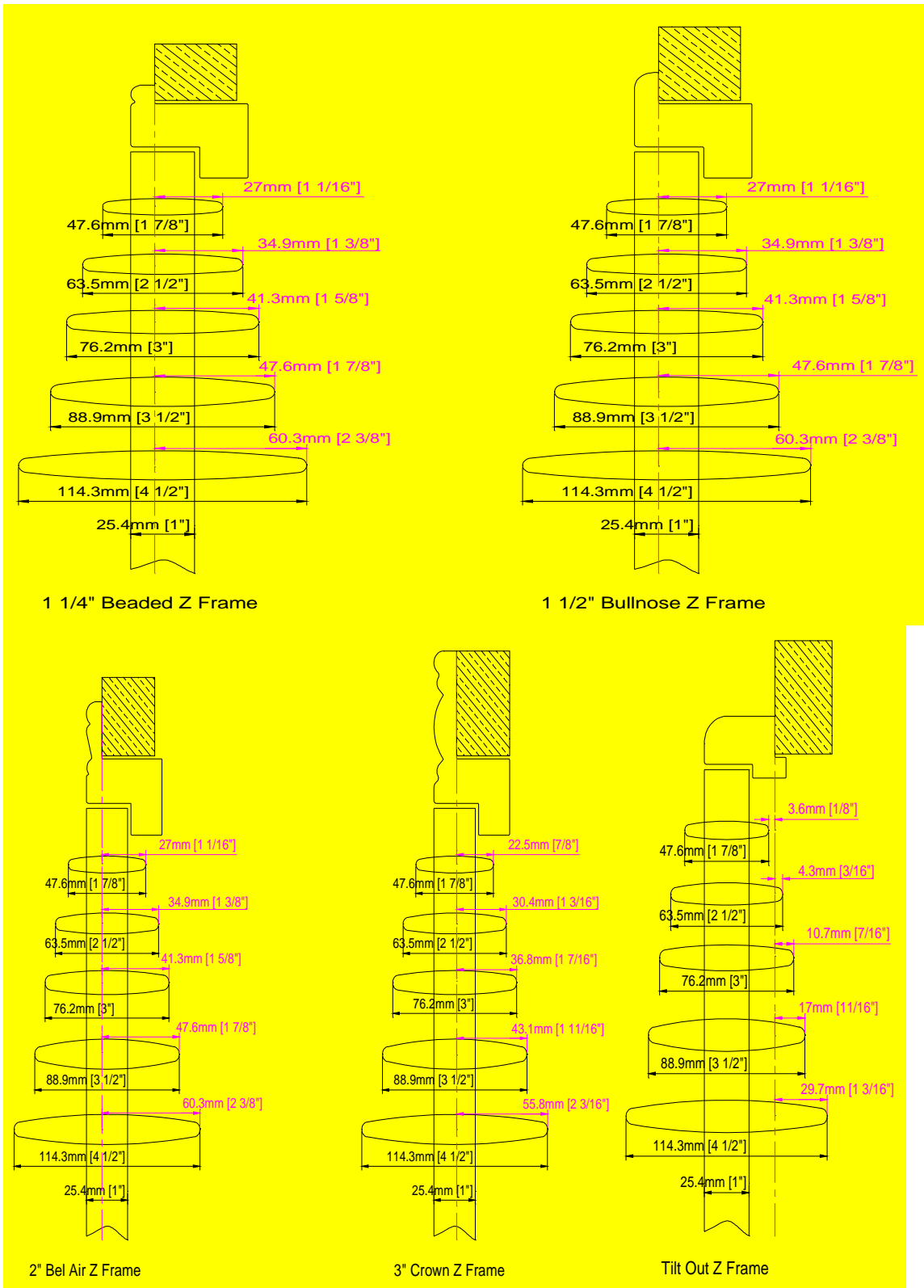


L Frame with 1/2" Buildout

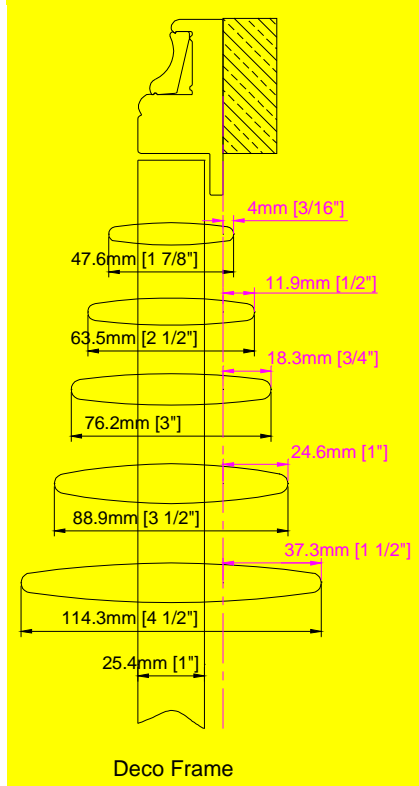
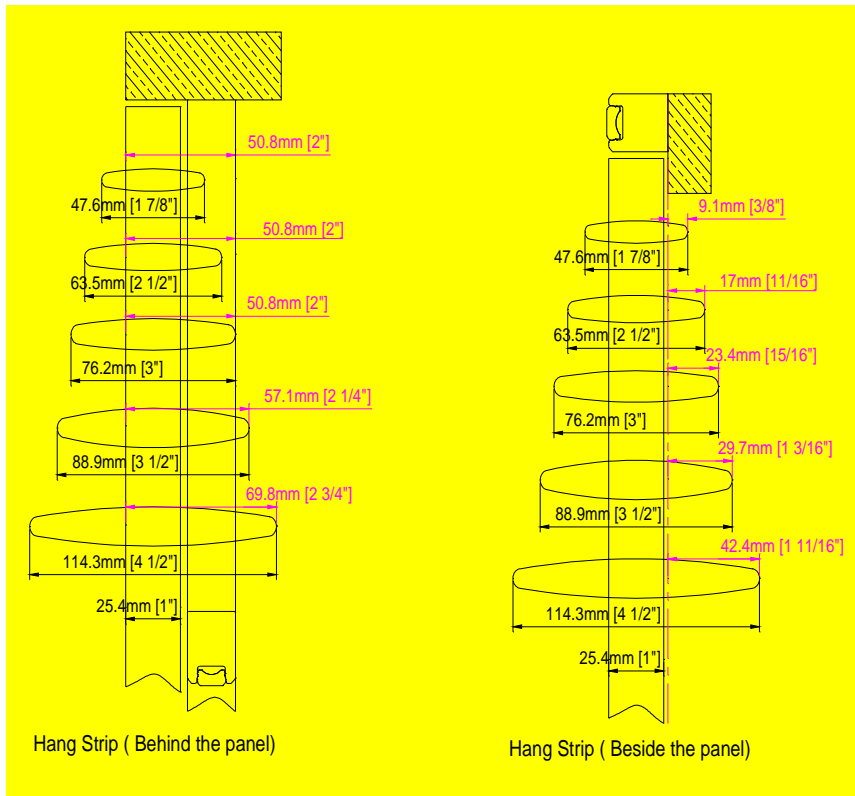


L Frame with 1" Buildout

*Some surcharges apply



*Some surcharges apply

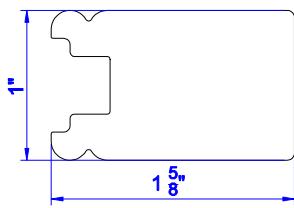


*Some surcharges apply

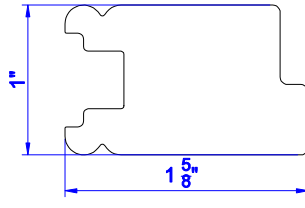
Woodlore® Shutters

Stiles

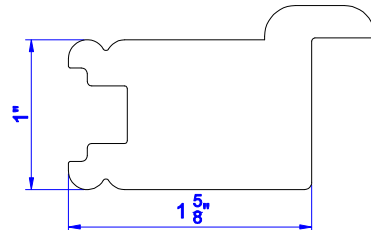
Default: Beaded stile



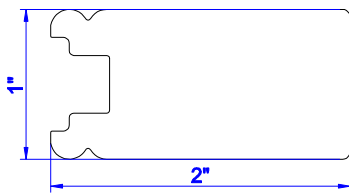
1 5/8" Butt Stile



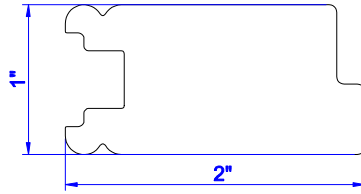
1 5/8" Rabbet Stile



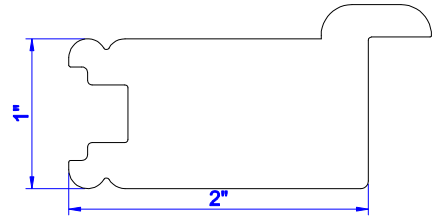
1 5/8" Astragal Stile



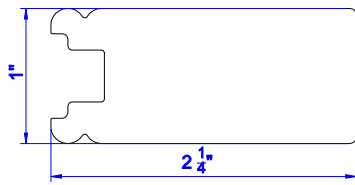
2" Butt Stile



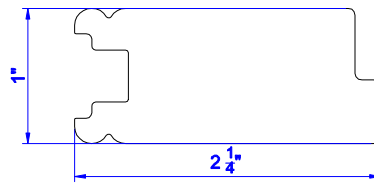
2" Rabbet Stile



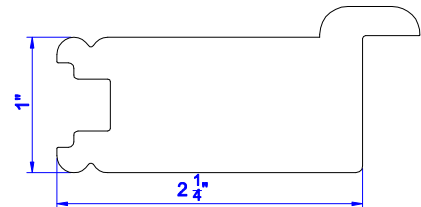
2" Astragal Stile



2 1/4" Butt Stile



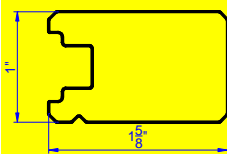
2 1/4" Rabbet Stile



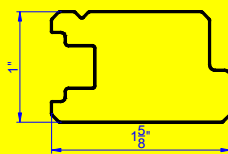
2 1/4" Astragal Stile

Optional: Chamfer stile

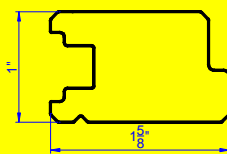
1 5/8" Stiles:



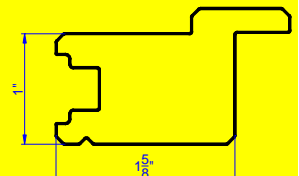
1 5/8" Butt Stile



1 5/8" Rabbet Stile-R



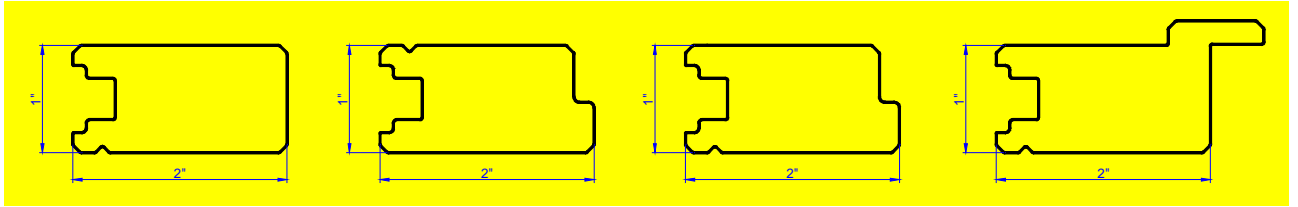
1 5/8" Rabbet Stile-L



1 5/8" Astragal Stile

Woodlore® Shutters

2" Stiles:



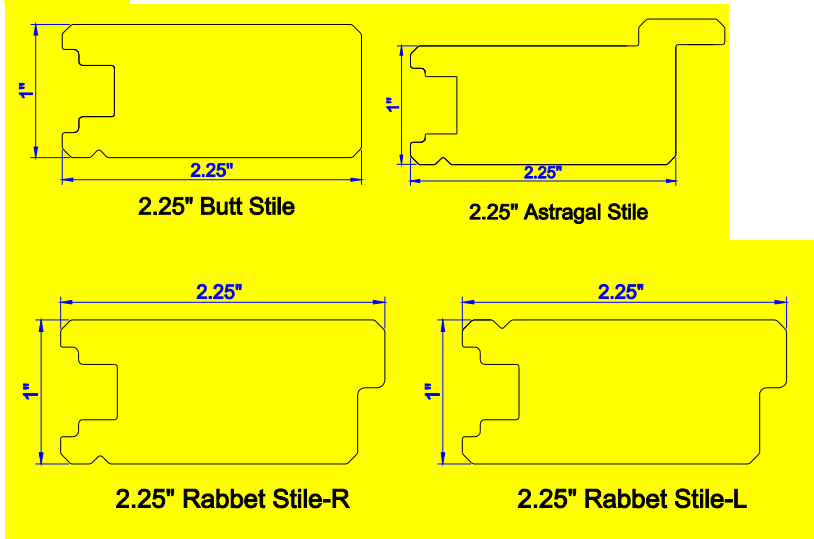
2" Butt Stile

2" Rabbet Stile-R

2" Rabbet Stile-L

2" Astragal Stile

2.25" Stile



2.25" Butt Stile

2.25" Astragal Stile

2.25" Rabbet Stile-R

2.25" Rabbet Stile-L

Woodlore® Shutters

Stiles (continued)

Stile between panel closure

Single panel

- I) Panel width < 9"
 - Rabbeted stile (Deco frame, L frame, Z frame and Hang strip beside panel)
 - 1 ⁵/₈"
 - 2" (default)
 - Butt stile only (Hang strip behind panel)
 - 1 ⁵/₈" (Optional for panel width ≤ 12")
 - 2" (default)

- II) Panel width ≥ 9"
 - Butt stile only
 - 1 ⁵/₈" (Optional for panel width ≤ 12")
 - 2" (default)



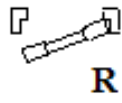
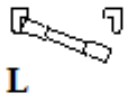
2 panels or more

- Rabbet stile
 - 1 ⁵/₈" (Optional for panel width ≤ 12")
 - 2" (default)
- Astragal stile
 - 1 ⁵/₈"
 - 2"

Woodlore® Shutters

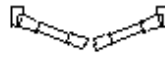
Panel Configurations

Single Panel



OR

Two Panels



LR

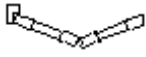


LL

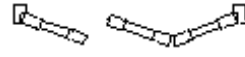


RR

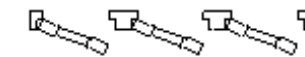
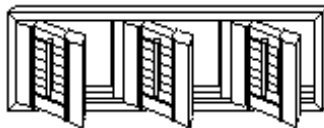
Three Panels



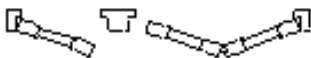
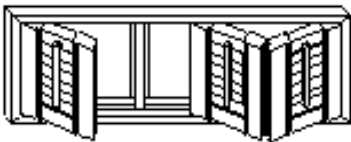
LLR



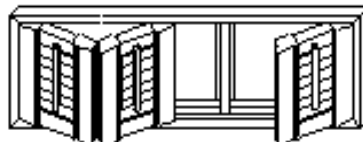
LRR



LTLTL



LTRR

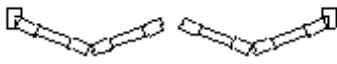
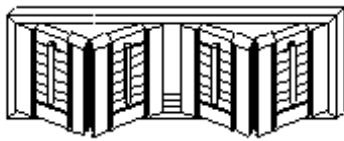


LLTR

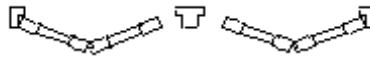
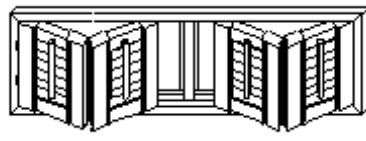
Woodlore® Shutters

Panel Configurations (continued)

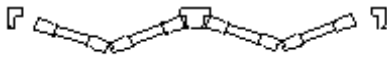
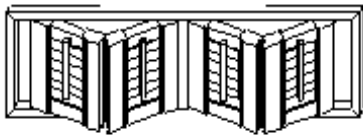
Four Panels



LLRR



LLTRR

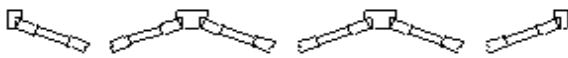
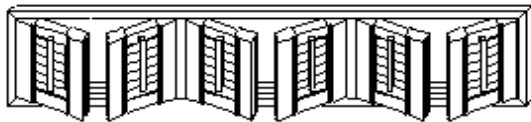


RRDLL

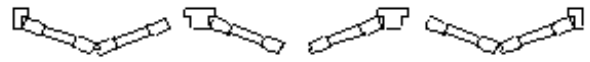


LTLRTR

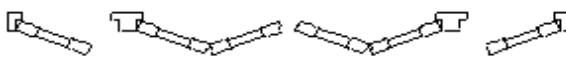
Six Panels



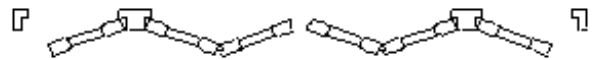
LRTLRTL



LLTLRTRR



LTLRRTL

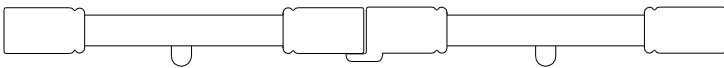


RTLRLTL

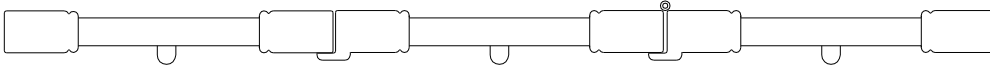
Woodlore® Shutters

Panel Configurations - Astragal Stile

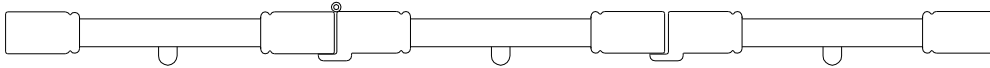
- 2 Panels - LR/LL/RR



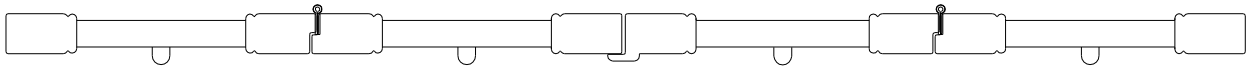
- 3 Panels - LRR



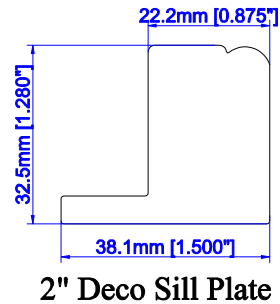
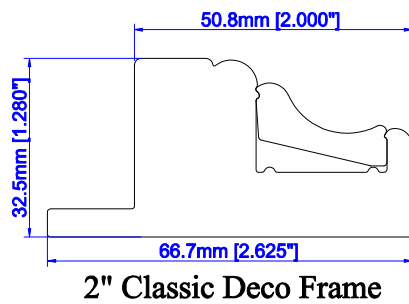
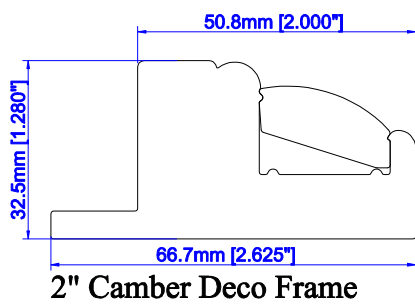
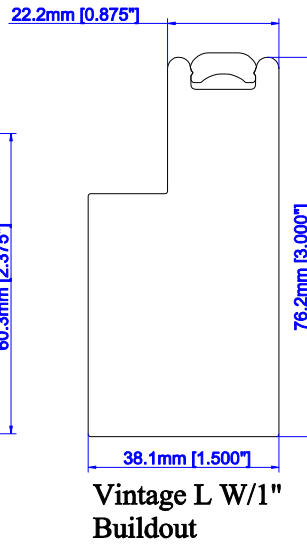
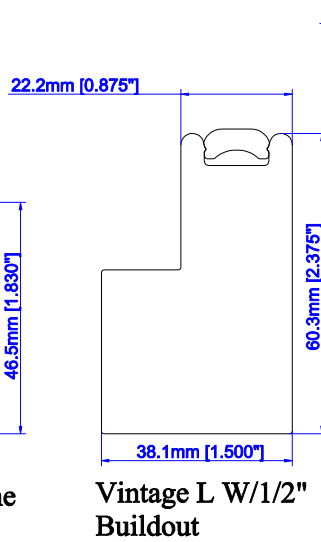
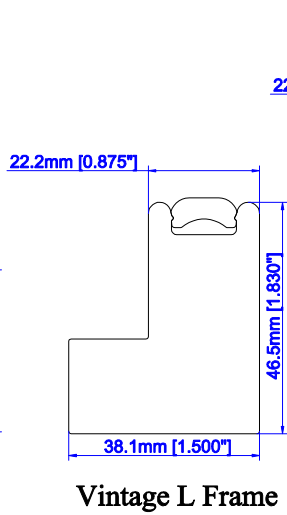
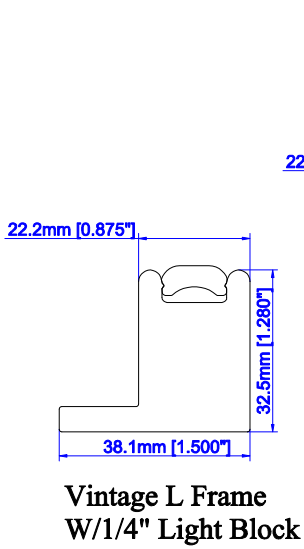
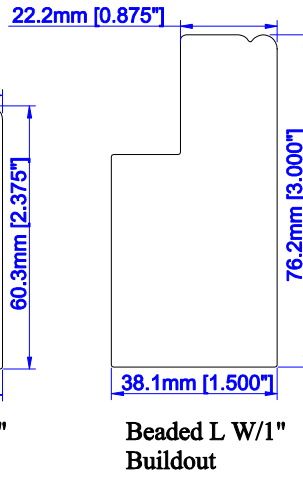
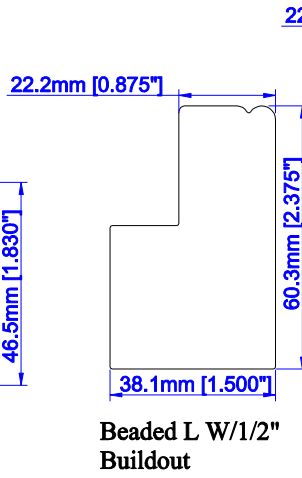
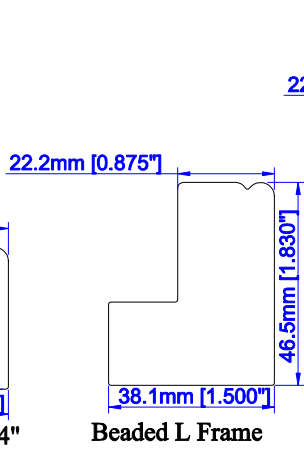
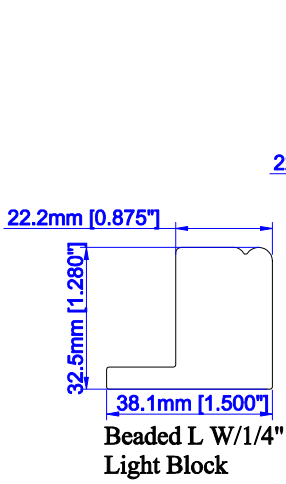
- 3 Panels - LLR



- 4 Panels - LLRR

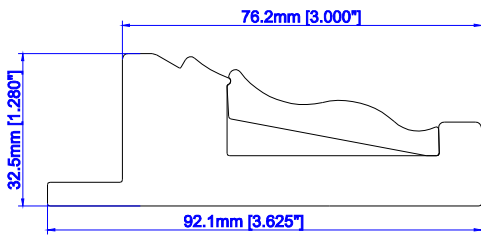


Frame Styles

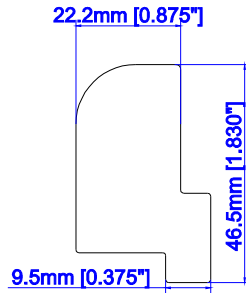


*Some surcharges apply

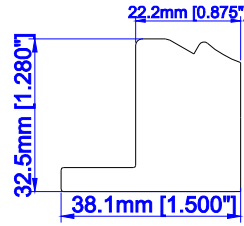
Frame Styles



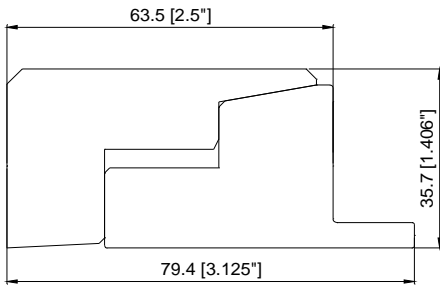
3" Ridge Deco Frame



Tilt Out Z Frame



Ridge Deco Sill Plate



2.5" Mission Deco Frame

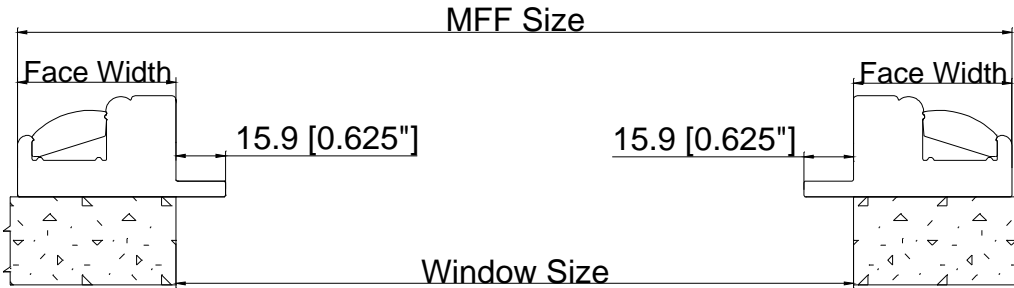
There are 2 options for the Deco frame installation when Window Size is given (Take Camber Deco frame as an example)

1. Default: light block part install into the window opening;

The window size is the exact size of the window opening;

The MFF size is the measurement of the entire shutter, including the frames;

The MFF size = Window Size + Face Width



2. Optional: light block part flush with window opening.

The window size is the exact size of the window opening;

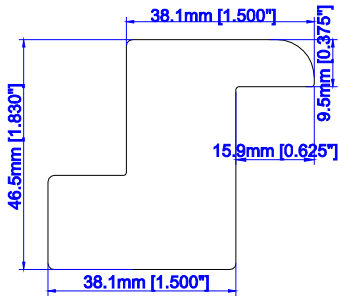
The MFF size is the measurement of the entire shutter, including the frames;

The MFF size = Window Size + Frame Back Width

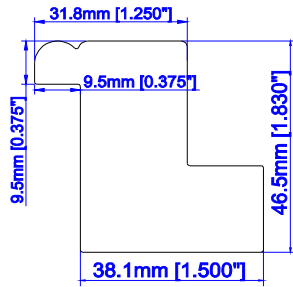


*Some surcharges apply

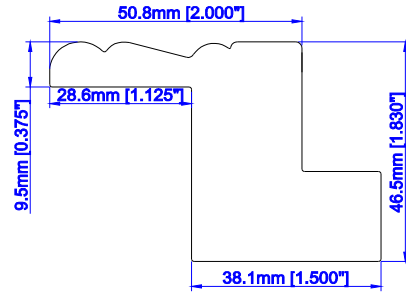
Frame Styles



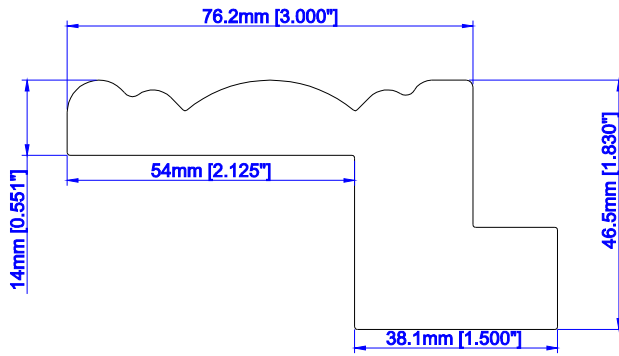
1 1/2" Bullnose Z Frame



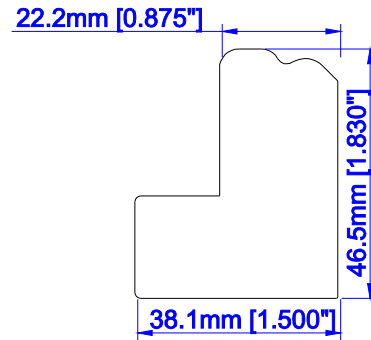
1 1/4" Beaded Z Frame



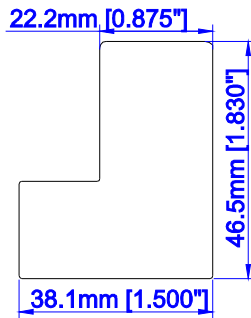
2" Bel Air Z Frame



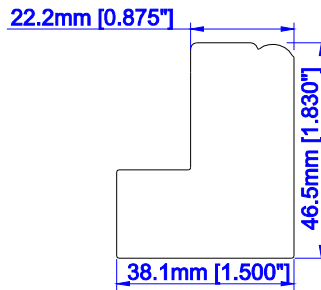
3" Crown Z Frame



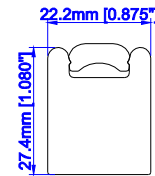
3" Crown Z Sill Plate



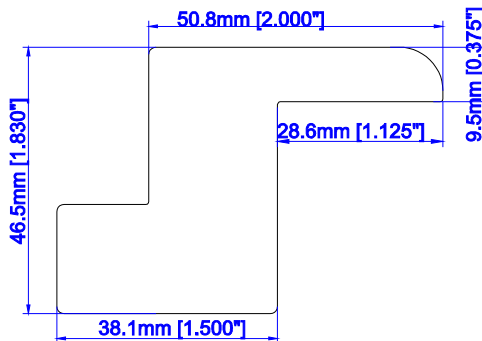
**Bullnose Z
1 1/4" Beaded Z
Sill Plate**



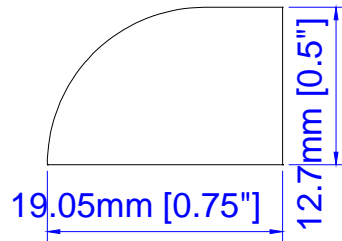
2" Bel Air Z Sill Plate



Vintage Hang Strip



2" Bullnose Z Frame

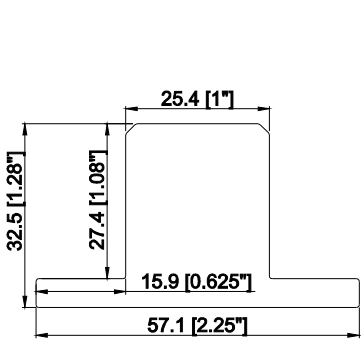


**Quarter Round
Scribe Trim**

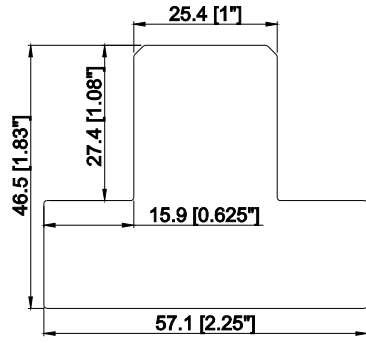
Note: Quarter Round Scribe Trim will be made in Wood.

*Some surcharges apply

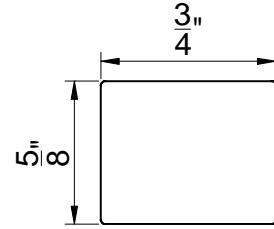
Frame Styles



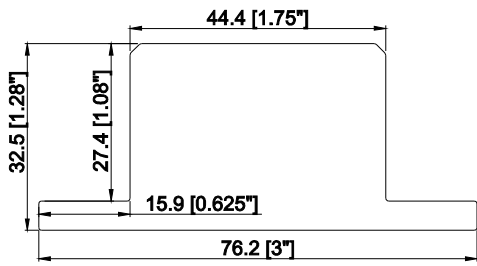
1" Chamfer T Post W/ 1/4" Light Block (Deco)



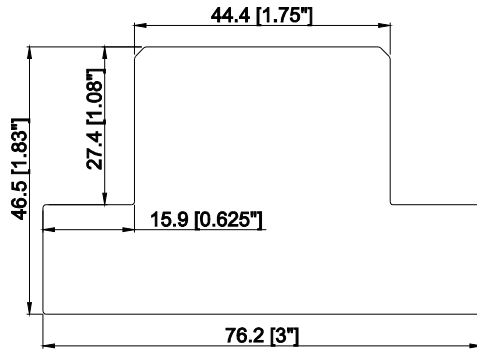
1" Chamfer T Post W/ 3/4" Light Block (L/Z/HS)



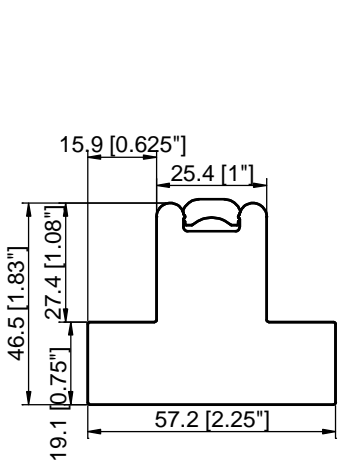
Light Block



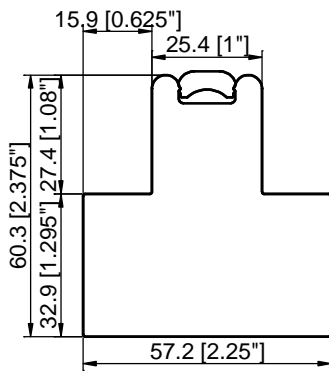
1.75" Chamfer T Post (Deco)



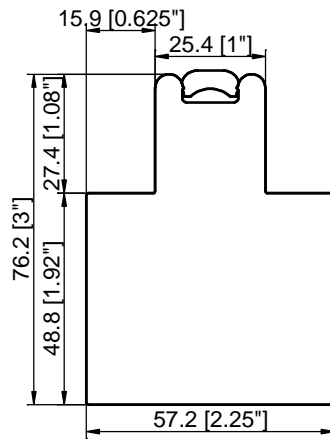
1.75" Chamfer T Post (L/Z/HS)



1" T Post with Insert w/ 3/4" Light Block



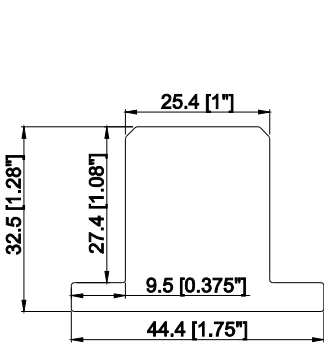
1" T Post with Insert w/ 1 5/16" Light Block



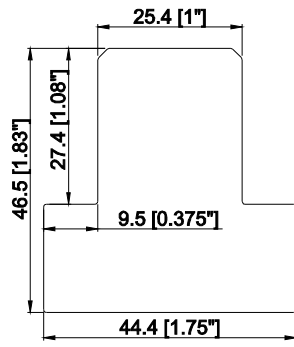
1" T Post with Insert w/ 1 15/16" Light Block

*Some surcharges apply

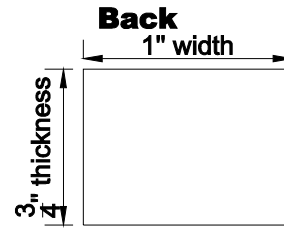
Frame Styles



1" Chamfer T Post W/ 1/4" Thick
3/8" Wide Light Block (Deco)



1" Chamfer T Post W/ 3/4" Thick
3/8" Wide Light Block (L/Z/HS)

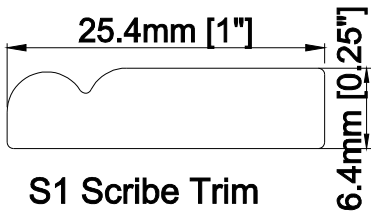


Back
1" width
Front
3" thickness
1" * 3/4" Post (No light block)

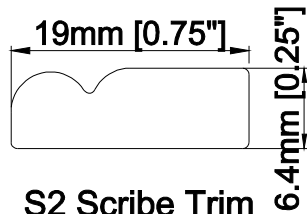
○ Custom width* up to 7½ for T Posts (Made of Wood)

- Size limits (7 1/2")
- Available for composite but it will be made from wood
- That a surcharge applies and customers should refer to their shutter pricing
- Any limitations

Note: The 1"x3/4" Post (No Light Block) is only available for Direct Mount. And no hardware will be supplied to install it on the existing window opening.



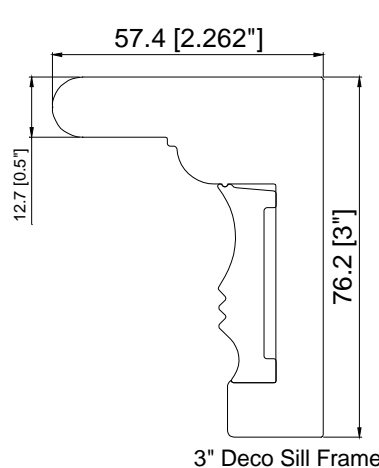
S1 Scribe Trim



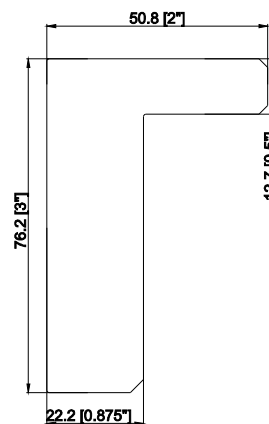
S2 Scribe Trim

Note: S1&S2 Scribe Trim will be made of wood.

Sill Frames- For use where there is no existing sill



3" Deco Sill Frame

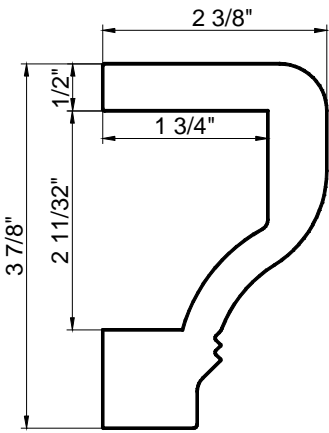


Mission sill Frame

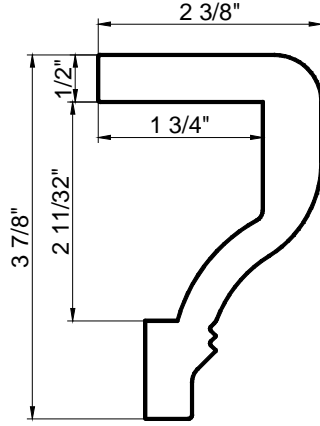
*Some surcharges apply

Frame Styles

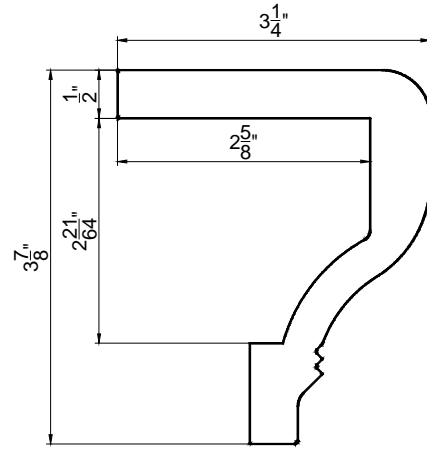
Sill caps-Used to cover existing sills



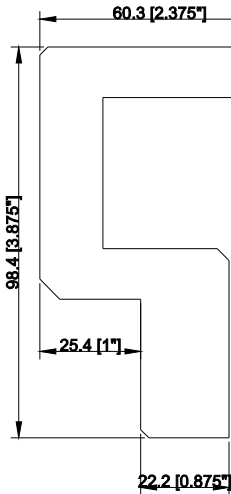
Curved Designer Sill Cap (L)



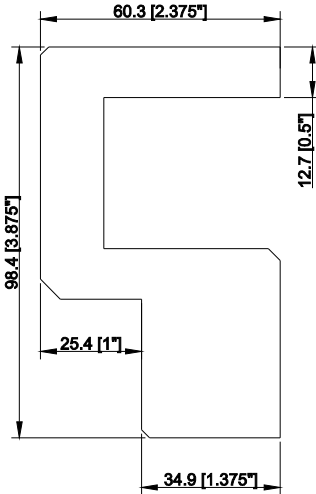
Curved Designer Sill Cap (D/HS)



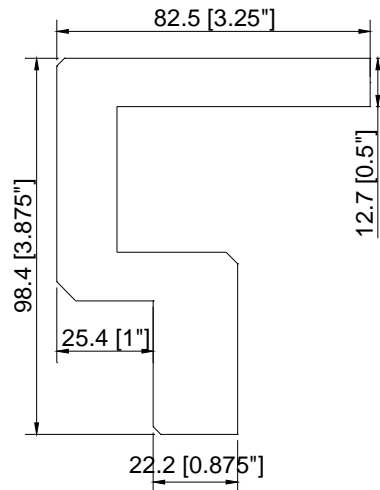
Curved Designer Sill Cap (Z)



Mission Sill Cap (D/HS)



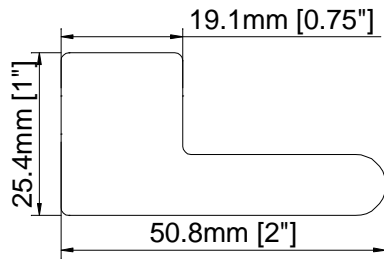
Mission Sill Cap (L)



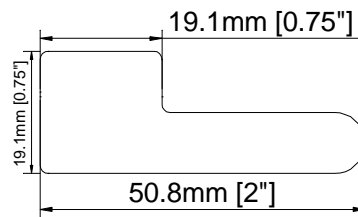
Mission Sill Cap (Z)

Note: For Mission Sill Cap, the extended size at each side needs to be 1" at least.

Sill Plates- Used with existing sills



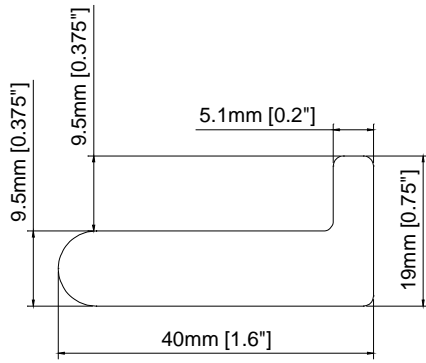
2" Sill Plate with 5/8" Light Block (L/Z)



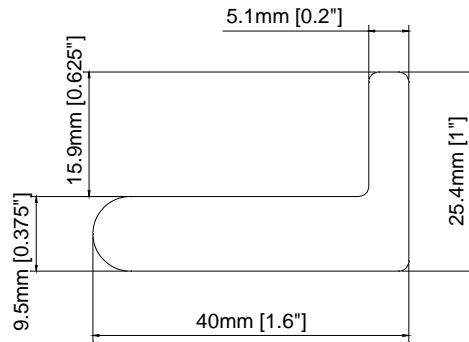
2" Sill Plate with 3/8" Light Block (L/Z)

*Some surcharges apply

Frame Styles



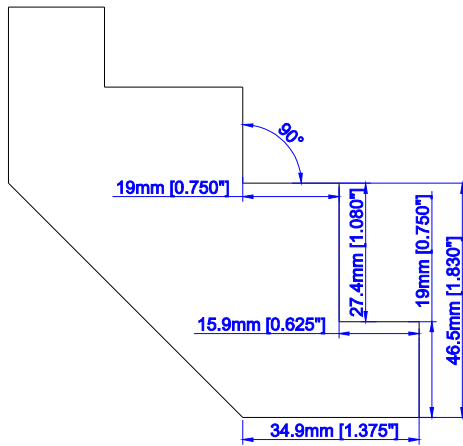
1.6" Sill plate with 3/8" light block



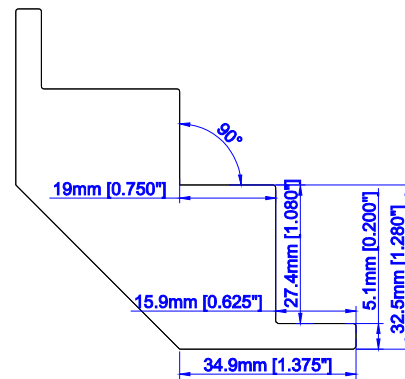
1.6" Sill plate with 5/8" light block

(All Deco & L frames with 1/4" light block)

(All Deco & L frames with 1/4" light block)

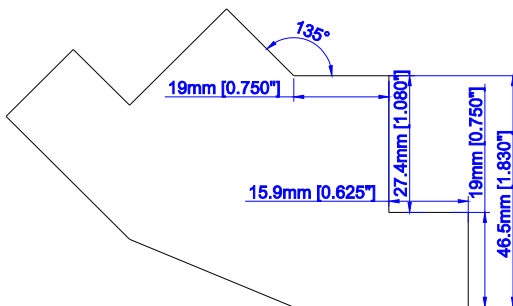


**Corner Post W/ 3/4"
Light Block (L/Z/HS)**

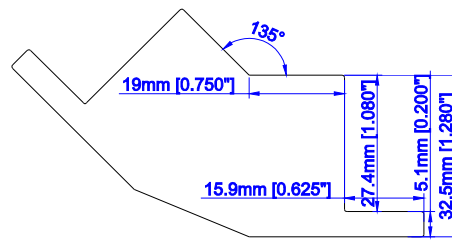


**Corner Post W/ 1/4"
Light Block (Deco)**

*Notch out corner post required if ordering Z Frame with solid drywall corner.



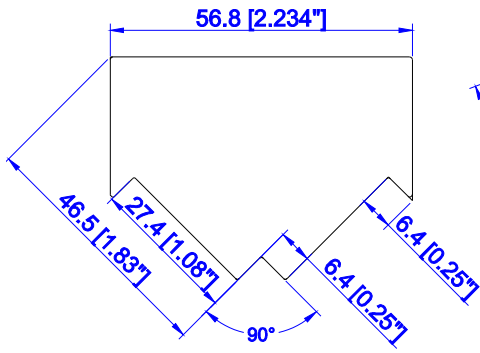
**Bay Post W/ 3/4"
Light Block (L/Z/HS)**



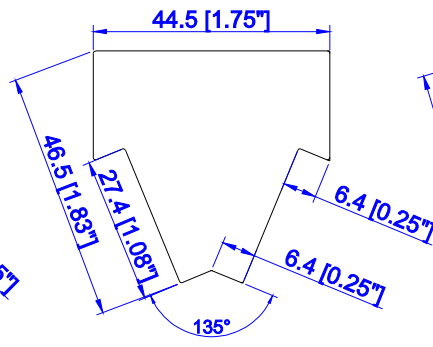
**Bay Post W/ 1/4"
Light Block (Deco)**

*Some surcharges apply

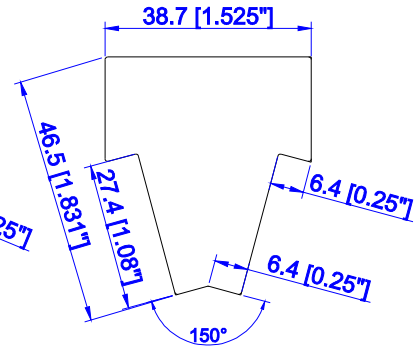
Frame Styles



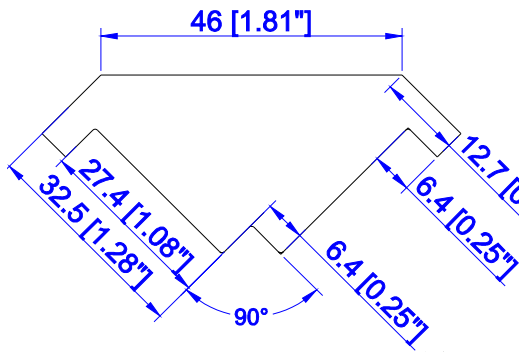
Slim Fit Corner Post for 90 Degree (L/Z/HS)



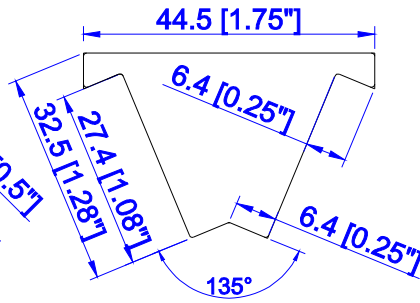
Slim Fit Bay Post for 135 Degree (L/Z/HS)



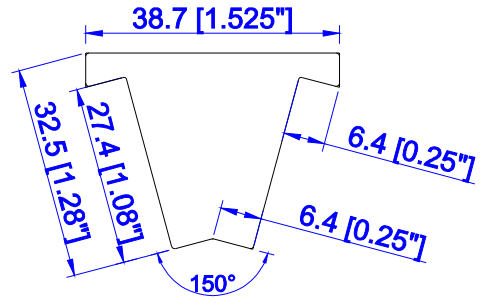
Slim Fit Bay Post for 150 Degree (L/Z/HS)



Slim Fit Corner Post for 90 Degree (D)



Slim Fit Bay Post for 135 Degree (D)



Slim Fit Bay Post for 150 Degree (D)

Note: Due to size and weight limitations, Slim Fit Posts may only be hinged on one side and with a single panel (no bi-folded panels). Please consider this when determining panel configuration.

Also available

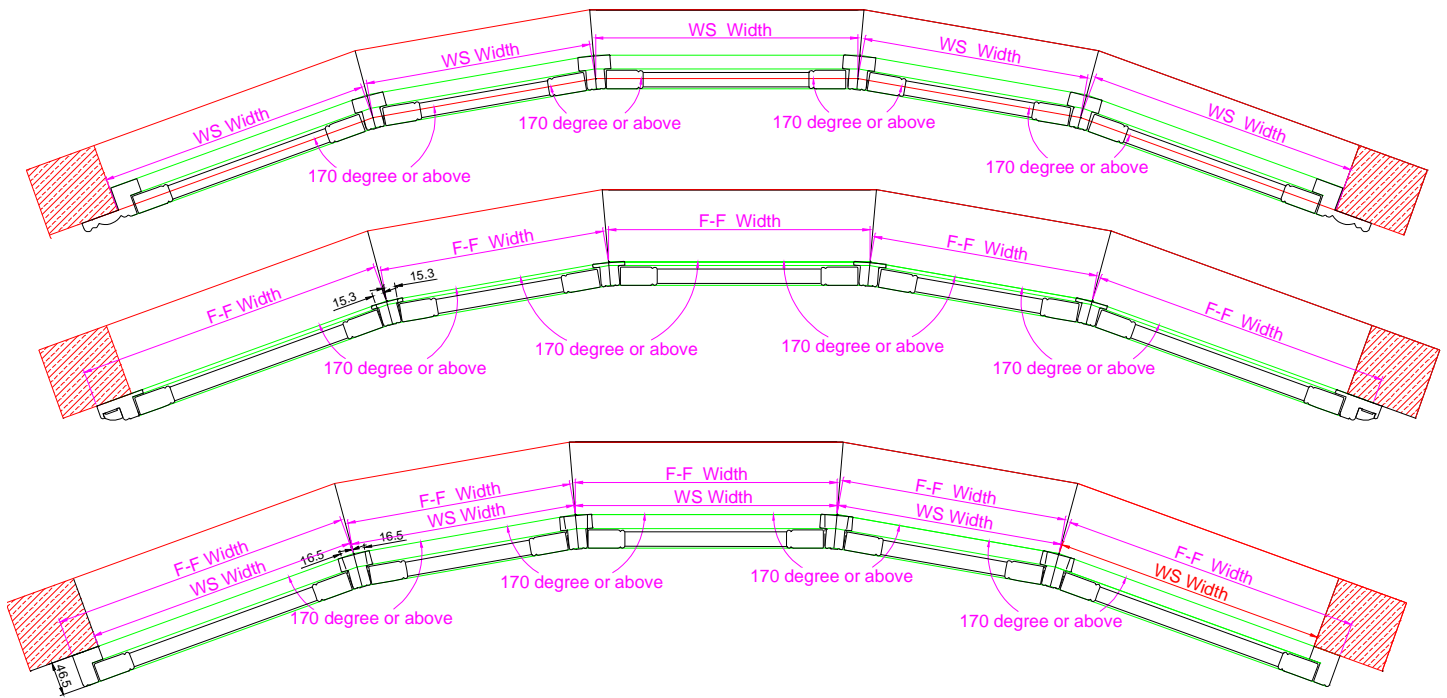
- Custom angle bay posts* (Made of Wood)

For bay window at 170 degree or above,

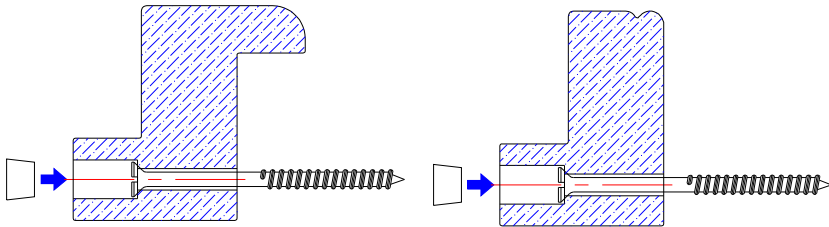
- 1" T Post with 3/8" light block will be used as Bay post;
- For Hang Strip (Behind Panel), bay post will be used.

*Some surcharges apply

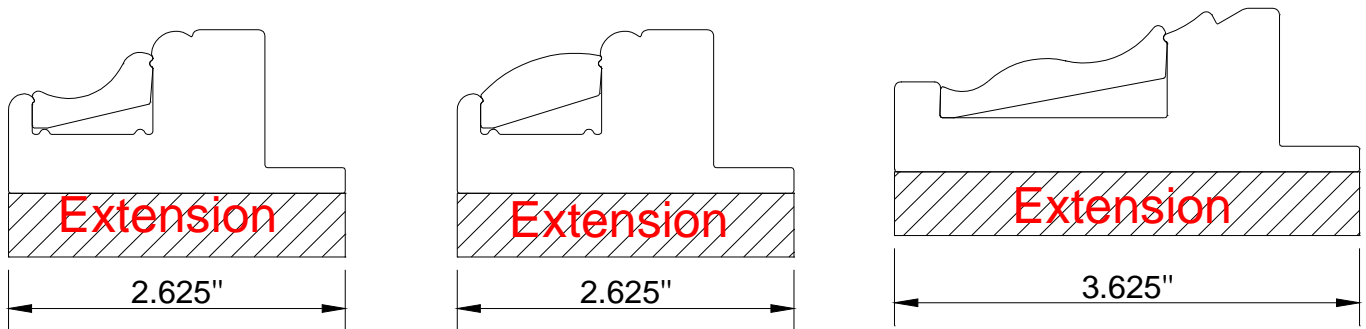
Frame Styles



Pre-drill L Frames (Inside Mount Only) or Z frames:



Extension for Deco Frame* (Default to have full extension):



2" Classic Deco Frame with extension 2" Camber Deco Frame with extension

3" Ridge Deco Frame with extension

Note: When the extension thickness of the frame & T post is more than 2", the extension will not be attached with the frame and T post.

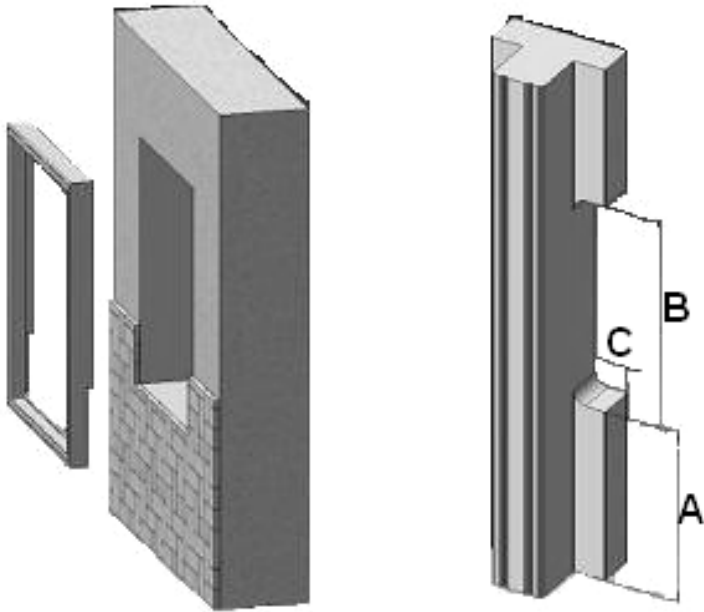
*Some surcharges apply

Frame Styles

Notch out*:

- L Frame
- T Post

Specify dimensions in special instruction box.



Default principles:

Regarding shutter with horizontal T-post type issue:

Horizontal T-Post type will always be the Chamfer T post unless otherwise specified.

*Some surcharges apply

Woodlore® Shutters

General Product Specifications

<u>Description</u>	<u>Minimum</u>	<u>Maximum</u>
Single Panel Width (Regular)	6"	24" for 1 7/8" louver 30" for 2 1/2", 3", 3 1/2", 4 1/2" louver;
Single Panel Width (Bifold)	6"	24"
Single Panel Width (Bifold Track)	6"	24"
Single Panel Height	10"	120"
Shutter Width (Without T Post)	N/A	4x single panel width (bifold) + frame
Shutter Width (With T Post)	N/A	Unlimited (For orders shipped by sea, frames longer than 142" will be spliced in the middle. For orders shipped by air, frames longer than 120" will be spliced in the middle.)
Shutter Height	N/A	120" + frame

Shutters without bottom supports

Shutters without bottom supports may sag and deform, including situations below:

1. Shutters with bottom gap over 0.1";
2. Shutters with no frame or no existing sill at the bottom to support the panel (or bottom has frame/existing sill, but the panel keep to open long time without bottom support).

Therefore, we strongly discourage the use of shutters for this application. We will continue to manufacture these shutters; however, they will not be covered under our warranty and will be subject to the guidelines listed below:

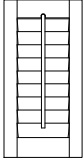
All Woodlore panel configurations:

- You must inform NWF of situations where shutters will not have bottom support when placing the initial order.
- Informing Norman Shutters when placing such orders ensures that the factory will add extra hinges to support the panel. This will reduce the probability of the panels sagging and increase shutter integrity. You must release Norman Shutters from liability in these situations.
- If you fail to notify Norman Shutters that the shutter will be used without bottom support, this will constitute a misapplication of the shutter. Consequently, you will be responsible for the cost of any RGA that is submitted.
- If you want a bifold shutter, a track must be ordered to support the panels. Without a track, Norman Shutters will not manufacture the order even with liability waived.

Tilt Rods

Standard Tilt Rod

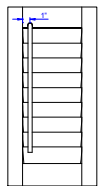
Default Location: In the middle of the panel on front side (default).



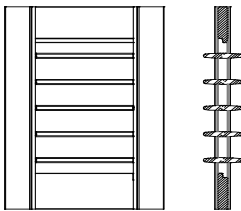
Offset Tilt Rod

Default Location: On the front side of the panel and at 1" from the louver ends on the hinged side.

Optional location: per your request



InvisibleTilt™ *



Louver tilting system embedded within panel stile. It is not available for 1⁷/₈" louver. The tilting system is split when the number of louvers exceeds the limits as listed below:

Louver Size	Maximum Possible Louvers	Panel Height Range
2½"	24	54 ¾" – 57 ¼"
3"	19	54 ¼" – 57"
3½"	16	54 ¾" – 58"
4½"	12	54 ¾" – 60"

For even numbers of louvers, the number of louvers operated by the top and the bottom tilting system will be the same;

For odd numbers of louvers, the number of louvers operated by the bottom tilting system will be one more than the number of louvers operated by the top tilting system;

To ensure split tilt is included, always specify on the order.

Split Tilt

When selected, the louvers are split evenly by default unless a custom location is requested.

When the customer selects a custom location, the measurement will be as follows (please note that the louvers are in the closed position when measured):

Window size:

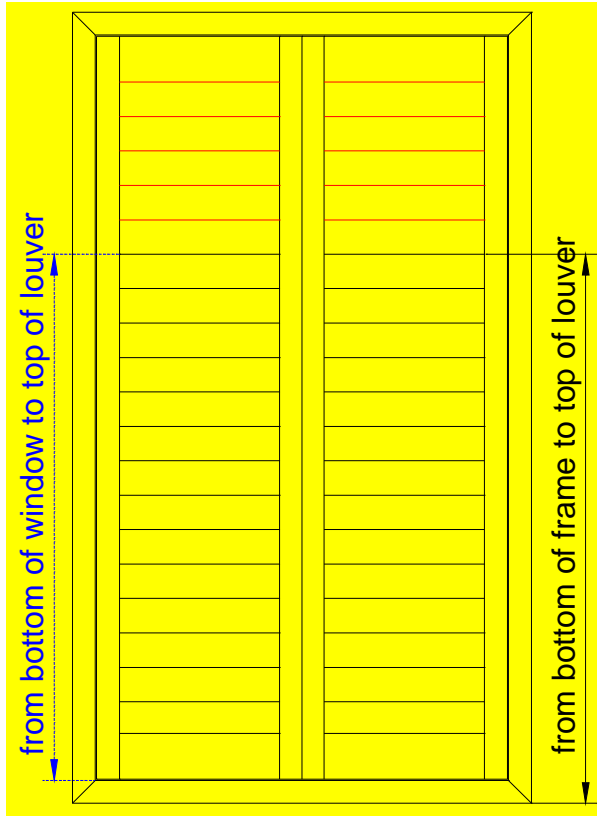
*Some surcharges apply

WL g-1

- Measure from the bottom of the window to the top of the louver

Max frame-to-frame:

- Measure from the bottom of the frame (or panel if there is no bottom frame, sill or sill cap) to the top of the louver.



Split tilt allowable deviations

Louver Size	Allowable ± Deviation
1 7/8"	3/4"
2 1/2"	1"
3"	1 1/4"
3 1/2"	1 1/2"
4 1/2"	2"

Split Location:

— Per the customer's specification. However, the location of the top louver of the bottom split section may be adjusted to achieve more balanced top and bottom rails when **allow deviations** is selected during order entry. If necessary the location will be moved up from the desired height to ensure any obstruction is covered. The amount of the deviation from the desired height will depend on the size of the louver selected.

If the exact location of the split is critical, customer may select **exact location** in the order entry system when placing the order. This may result in significantly different top and bottom rails. When exact location is selected, a popup will reveal the resulting top and bottom rails measurements from which the customer may either:

1. Accept **the listed top and bottom rail sizes**
2. Modify the split location (sometimes a slight adjustment in the exact split location may achieve desired top and bottom rail sizes)
3. Change to **allow deviations** so the system will calculate the split location

Note: Top and bottom rail sizes may change if the current line item is being matched with another line item. Carefully review all top and bottom rail sizes and split locations to ensure a desirable look is achieved

Divider Rails

- A divider rail is an extra rail in the middle of the panel.
- Creates two sections in the panel so louvers can be operated independently.
- Strengthens the panel and enhances structural integrity.
- Required for panel heights over 74".

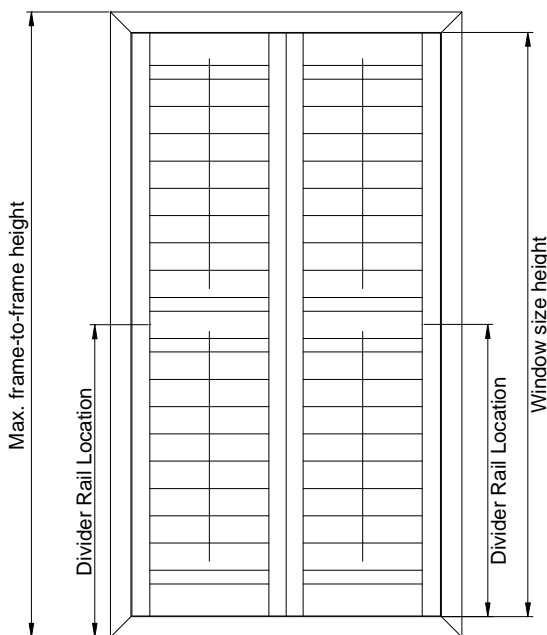
Specifications

- Standard width: 3"
- Default location: center of the panel unless specified otherwise

Measurements:

- Window size:
 - Measure from the bottom of the window to the center of the divider rail.
- Max frame-to-frame:
 - Measure from the bottom of the frame to the center of the divider rail.
- Position:
 - Per customer's specification. However, the divider rail may be adjusted to a lower or higher position, within our allowable deviation, to ensure reinforcement and aesthetics of the shutter.

When placing the order, please clearly specify if the divider rail position needs to line up with that of other shutter divider rails in the same room. Please also refer to the table below for the allowable deviation details.



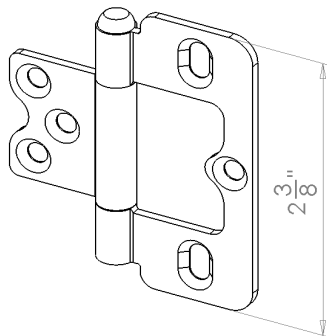
Divider rail allowable deviations

Louver Size	Allowable ± Deviation
1 7/8"	3/4"
2 1/2"	1"
3"	1 1/4"
3 1/2"	1 1/2"
4 1/2"	2"

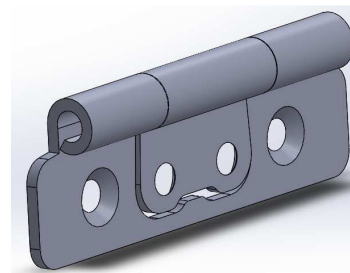
Hardware

Hinges

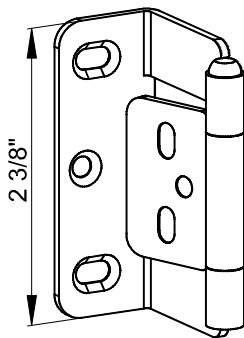
Self-Mortise Hinge



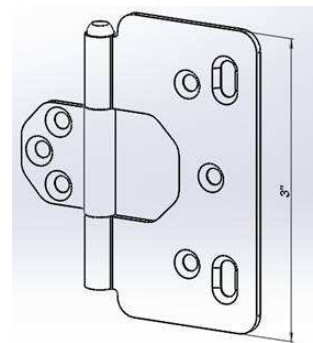
Bi-fold Hinge



L Hinge



Direct Mount 3" Hinge



Hinges are available in:

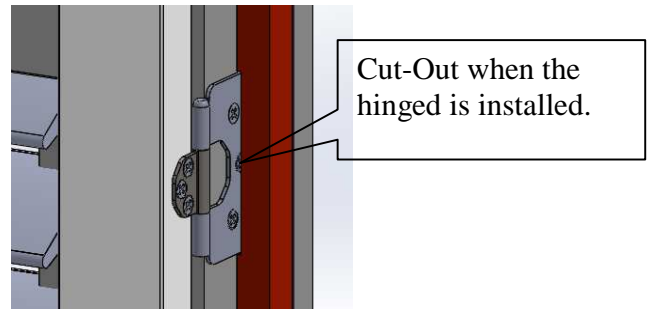
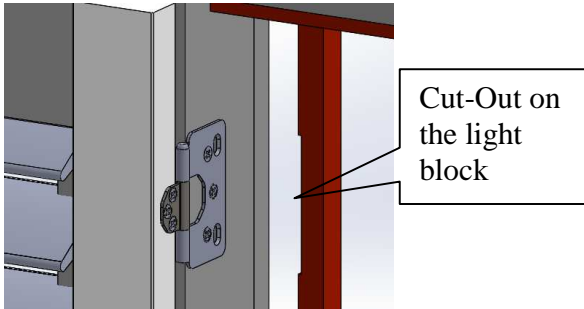
Pure White, Silk White, Bisque, Pearl, Bright Brass, Antique Brass, Black, Nickel plated, Brushed Nickel, Stainless Steel* Crisp Linen, String, Sea Mist, Stone Gray, Brown Gray, Taupe Gray.

While hinge colors of Crisp Linen, String, Sea Mist, Stone Gray, Brown Gray, Taupe Gray are not available for Direct mount 3" Hinges.

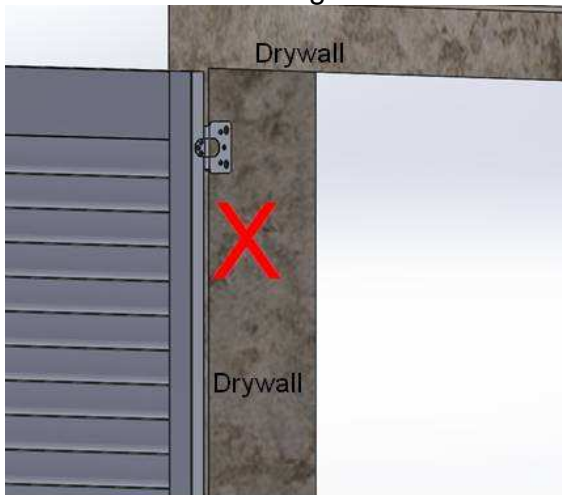
- Direct Mount 3" Hinge:
 1. The hinge position of the direct mount 3" hinge will be different from that of the 2.375" ones. For shutters used both the 2.375" and the direct mount 3" hinge, the hinge position of the 2.375" ones will match that of the direct mount 3" hinge;

*Some surcharges apply

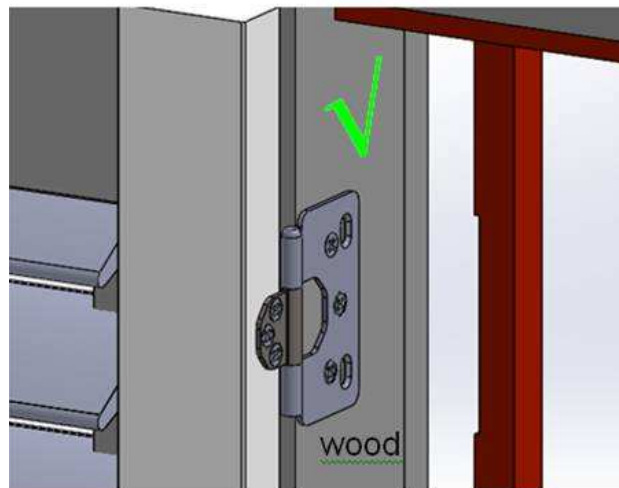
- The hinge is only to install between the panel and the existing window. For other situation, 2.375" hinges will be used;
- To avoid conflict, there will be cut-out for the light block of the hinged side. Please refer to the drawing below.



- Direct Mount 3" Hinge is not suitable for drywall installations.



Direct Mount 3" hinge is not suitable for drywall installations. It's not recommended.

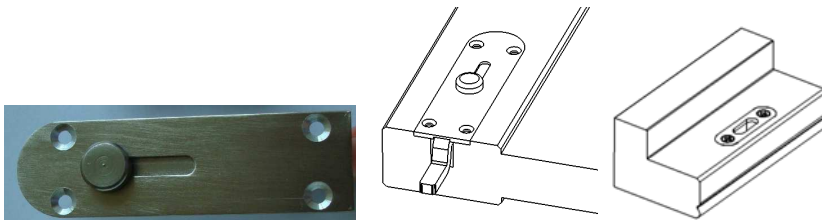


It's acceptable.

Panel Lock: (not available for 1.625" Stile)

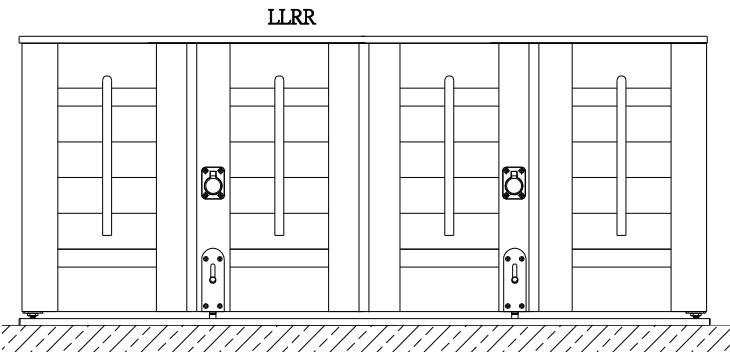
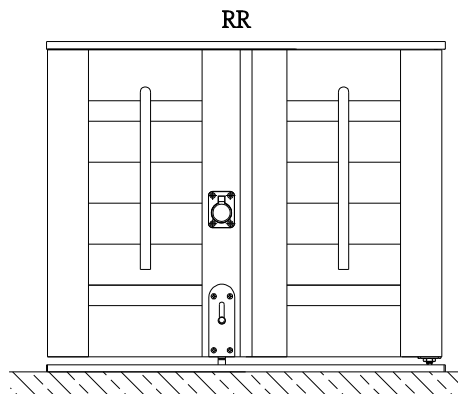
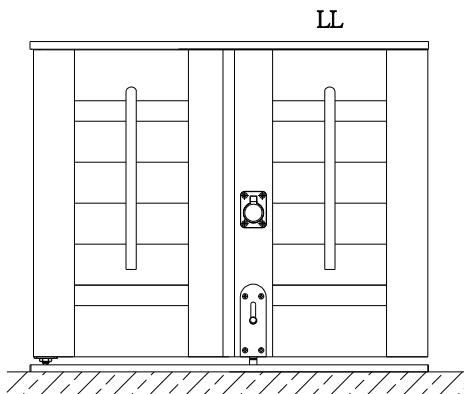
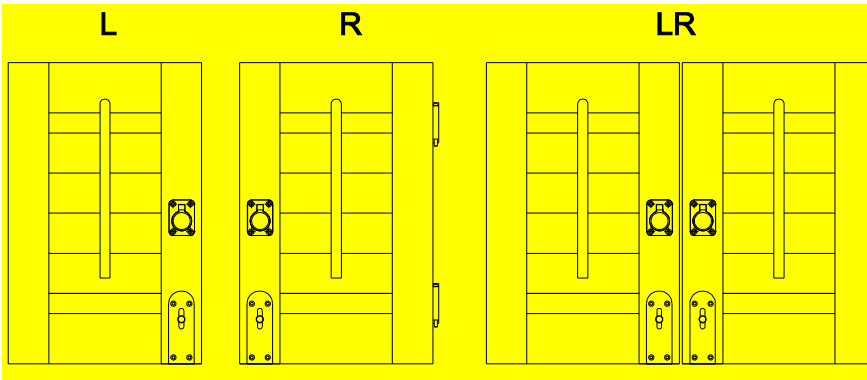
Available Material: All

Color: Brush Nickel Plated

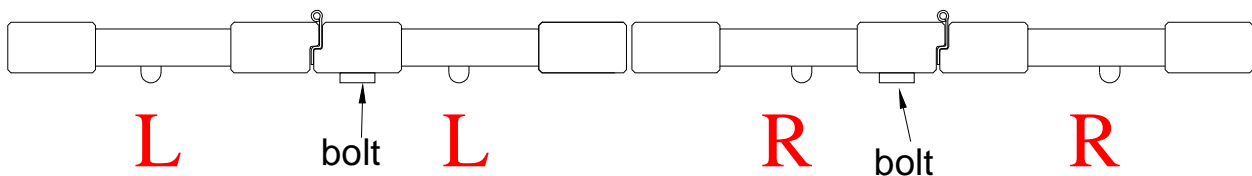


Position: (Only available on Bottom for Track Shutters with Bottom Track; For Regular, available on Top/Bottom/both Top and Bottom)

*Some surcharges apply



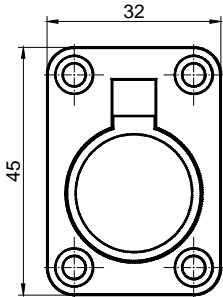
The Panel Lock location for both track system shutters and regular shutters would be the same. The general principle is that the Panel Lock position will avoid the stile which will install the spring-loaded guide at bottom (same stile as the Wheel carrier).



*Some surcharges apply

Ring pull: for easy opening and closing

(Not available for 1.625" Stile)



Ring pull location principle for Floating Panels:

1. When floating panel config is in pairs, it will be split into halves, the left will be for LL and the right will be for RR. So the ring pull location for FF/FF, FF/FF/FF/FF will be same as that of panel config as LL/RR, LL/LL/RR/RR.
2. When floating panel config is FF, the ring pull location will be same as that of panel config LL.
3. When floating panel config is singular, it will be split into 3 sections, the left and mid sections are for LL and the right section is for RR. So the ring pull location for FF/FF/FF, FF/FF/FF/FF/FF will be same as that of LL/LL/RR, LL/LL/LL/RR/RR.

Please note the ring pull color will match with the hinge color.

Please see the matching chart below:

Hinge color	Pure White	Silk White	Bisque	Pearl	Black	Nickel Plated	Brushed Nickel	Antique Brass	Bright Brass	Stainless Steel
Ring Pull color	White	White	Bisque	Pearl	Black	Brushed Nickel	Brushed Nickel	Antique Brass	Bright Brass	Brushed Nickel

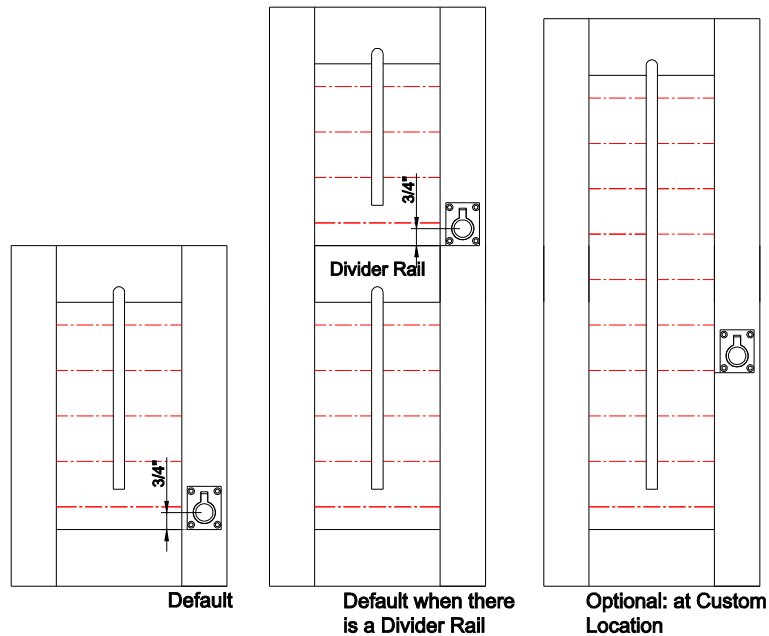
Hinge color	Crisp Linen	String	Sea Mist	Stone Gray	Brown Gray	Taupe Gray
Ring Pull color	Bisque	Bisque	Brushed Nickel	Brushed Nickel	Brushed Nickel	Brushed Nickel

Color ID	Color Name	2.375" Hinge color (Default)	Direct Mount 3" Hinge color (Default)	T post connector color	Ring pull color	Top Track color (Default)
001	Pure White	Pure White	Pure White	Pure White	White	White
003	Silk White	Silk White	Silk White	Silk White	White	White
006	Pearl	Pearl	Pearl	Pearl	Pearl	White

*Some surcharges apply

012	Crisp Linen	Crisp Linen	Bisque	Bisque	Bisque	White
019	String	String	Bisque	Bisque	Bisque	White
032	Sea Mist	Sea Mist	Nickel Plated	Nickel Plated	Brushed Nickel	Anodised Silver
049	Stone Gray	Stone Gray	Nickel Plated	Nickel Plated	Brushed Nickel	Anodised Silver
051	Brown Gray	Brown Gray	Nickel Plated	Nickel Plated	Brushed Nickel	Anodised Silver
080	Taupe Gray	Taupe Gray	Nickel Plated	Nickel Plated	Brushed Nickel	Anodised Silver

Position: For different panel configuration, please refer to the location of Panel Lock to show on which stile the pull will be fixed.

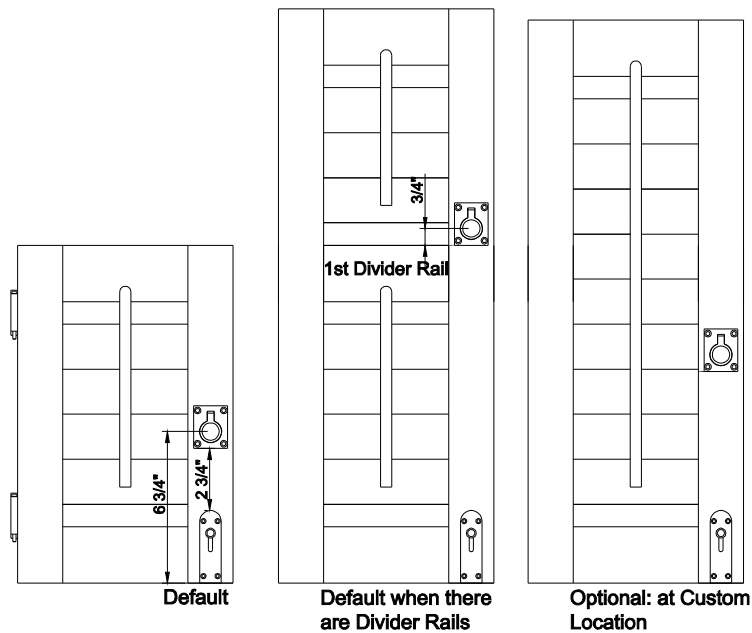


Position:

- A. Above Bottom Rail (Default)
- B. Above 1st Divider Rail (Default when there are Divider Rails)
- C. Custom Location

If both Panel Lock & ring pull are specified, the distance between them is 2 3/4", and the ring pull location is 6 3/4" from the bottom of panel.

When there is no mid rail, ring pull will be just on the top of Panel Lock (2 3/4" above Panel Lock) as default location; if there are mid rails, bottom of ring pull lines up with top of the 1st mid rail as default location.



Position:

- A. 2 3/4" Above Panel Lock (Default when both Ring Pull and Panel Lock are specified)
- B. Above 1st Divider Rail (Default when there are Divider Rails)
- C. Custom Location

Measurements:

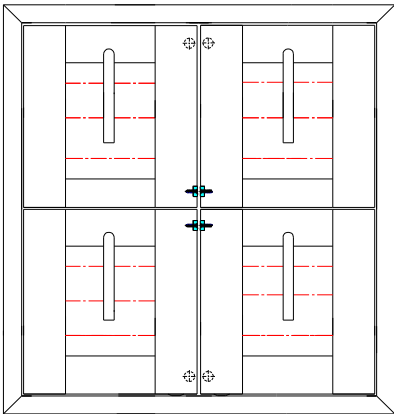
- Window size:
 - Measure from the bottom of the window to the center of the ring pull.
- Max frame-to-frame:
 - Measure from the bottom of the frame to the center of the ring pull.

Side Magnet: Available for Butt, rabbet and Astragal stile



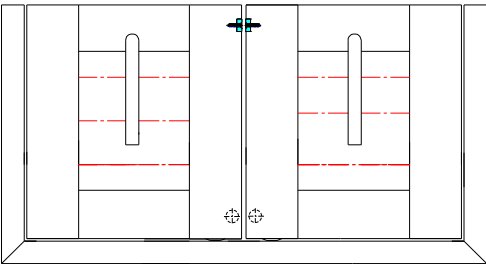
Side Magnets will be applied in following situation:

1. Double Hung shutter butt without horizontal T post:
 - Side magnets will be applied to the meeting stiles of the L and R panel. (Default)



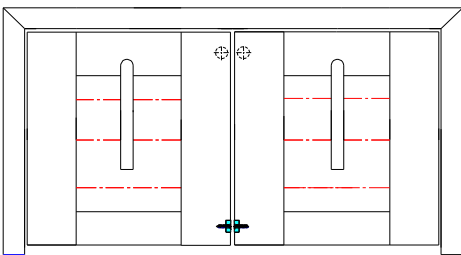
2. Café Shutter

Side magnets will be applied to the meeting stiles of the L and R panel. (Default)



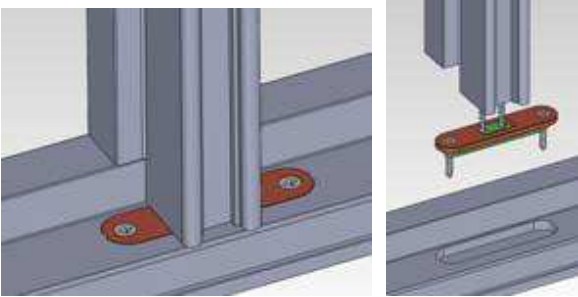
3. No frame or light block or L-shape striker plate on either top or bottom, or if larger than standard top or bottom gap is requested.

Side magnets will be applied to the meeting stiles of the L and R panel. (Optional)



4. Note: if panels only with side magnets and there is no standard magnet on the back of panels, panels may open for external factors.

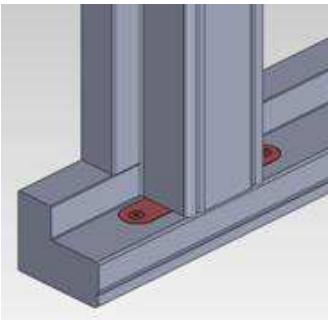
T-Post Connector



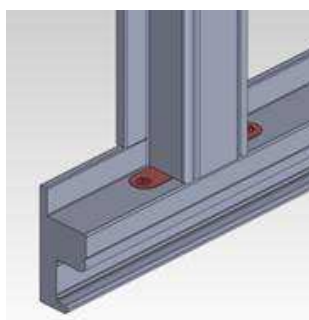
- Available colors: Pure White; Silk White; Pearl; Bisque; Black; Nickel-Plated.
- Available for all types of T Posts (custom-width T posts excluded).

T Post Connector can be used with the following Frames.

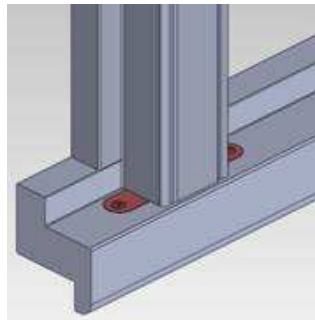
L Frame:



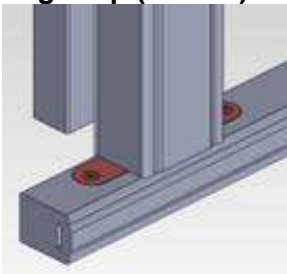
Deco Frame:



Z Frame:



Hang Strip (Beside)

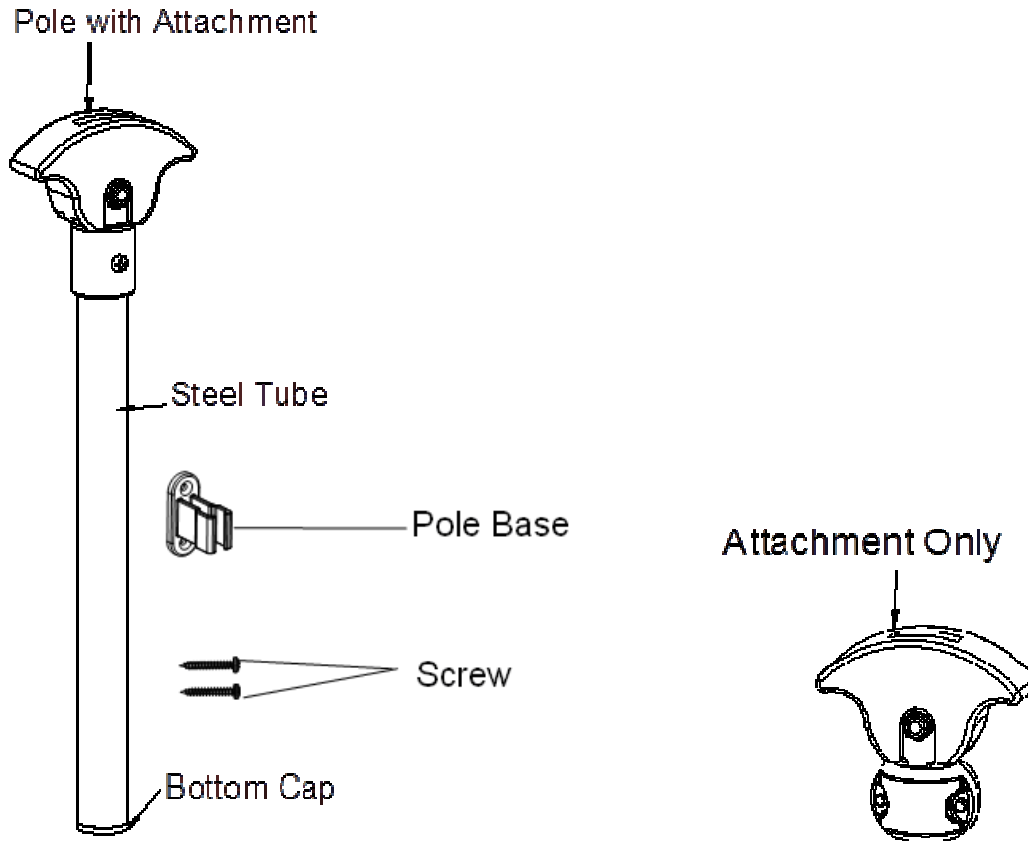


Note:

1. For Horizontal T Post, Hang Strip (Behind) and shutter with 1.5"/2" Sill, T Post connector is not available and T Post will be installed by screws instead;
2. If there is a panel lock which may interfere with the T-Post connector, all the T-Posts for the entire shutter will be installed with screws and the frames to be pre-drilled, even in cases where the panel lock may only interfere with one T-Post;
3. The screw color is nickel-plated regardless of the color of the T Post connector;
4. T post connectors can only be installed on a straight piece, and screws will be used instead for T Post installed on a curved or raked piece.

Optional Poles:

1. Terminology



Component

NO.	Name	Note
1	Pole with Attachment	Steel tube, Pole Base and Bottom Cap included *Surcharge applies.
2	Attachment only	<ul style="list-style-type: none"> ● Compatible with extension poles found in most home improvement stores. ● Screw thread (3/4") and thread pitch (1/5") *Surcharge applies.

*Some surcharges apply

2. Available Pole Length

	2pcs Combined by Connector
Pole length (inch)	53"

The Connector (the center one):



The Finished Product:

Pole with Plastic Tube:



Woodlore® Shutters

Bi-fold 180™

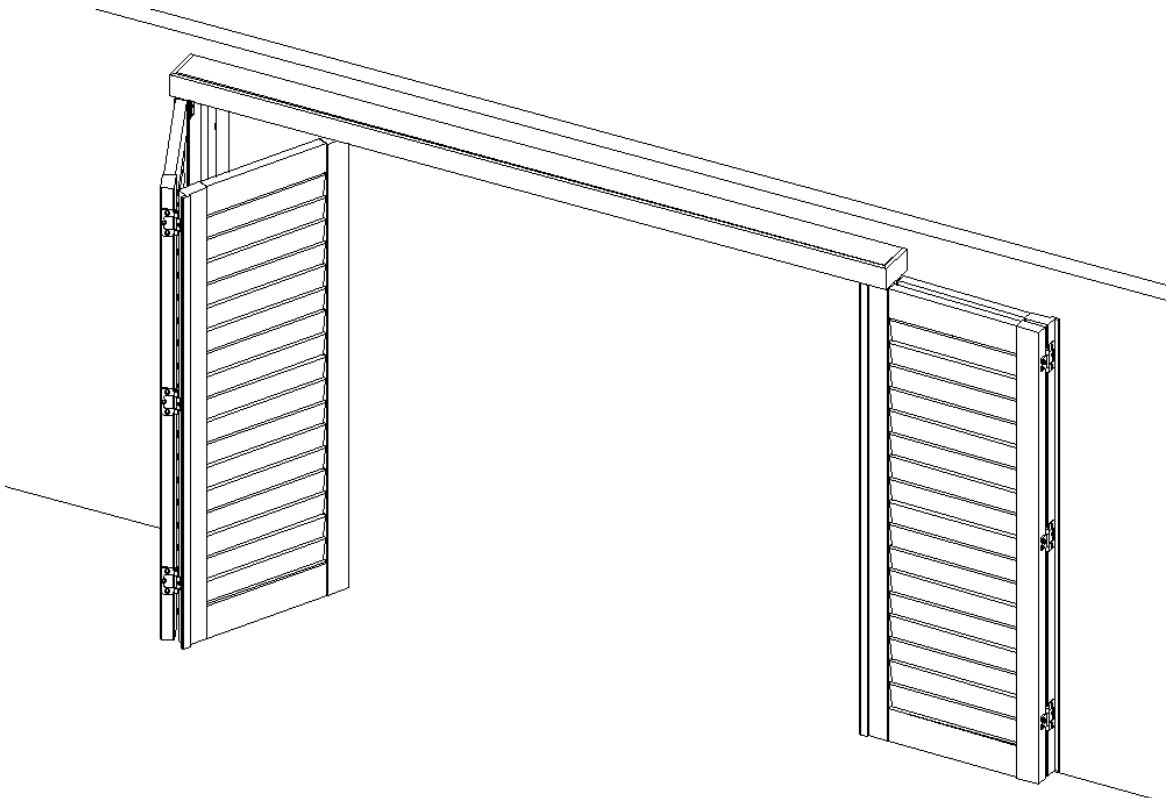
Guidelines and Specs:

<u>Description</u>	<u>Minimum</u>	<u>Maximum</u>
Single-Panel Width (Bi-fold Track)	6"	24"
Single-Panel Width (LLL/RRR)	N/A	N/A
Single-Panel Height	10"	120"

Outside Mount

Max frame-to-frame width: window width + 3 1/2"

Max frame-to-frame height: window height + 4 1/2"

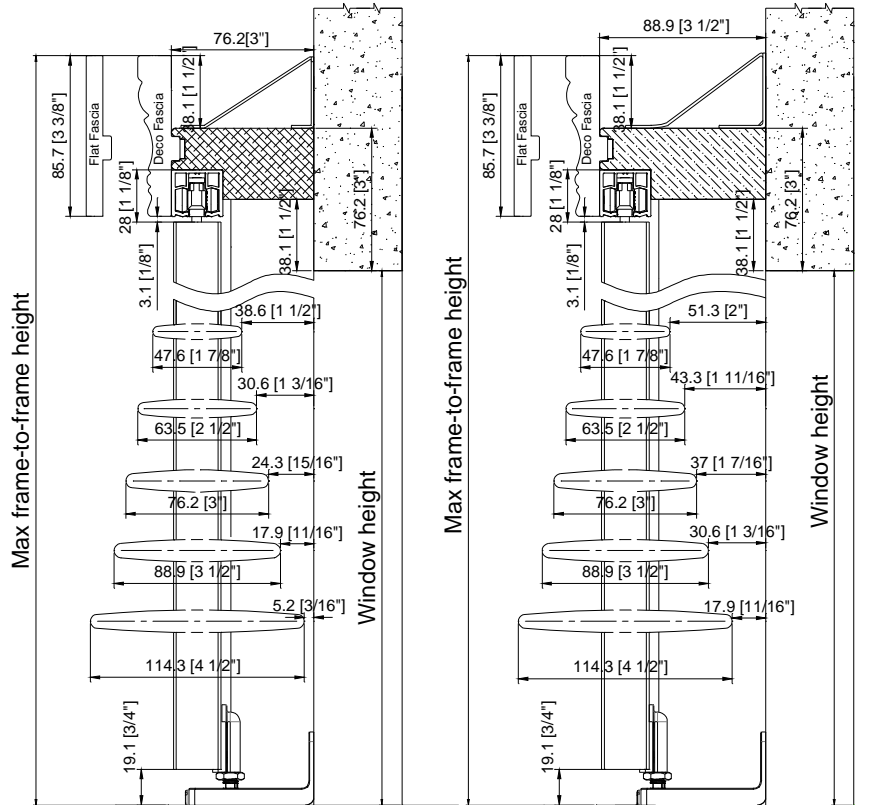


- Track is pre-installed on the header; standard 1 track only.

Woodlore® Shutters

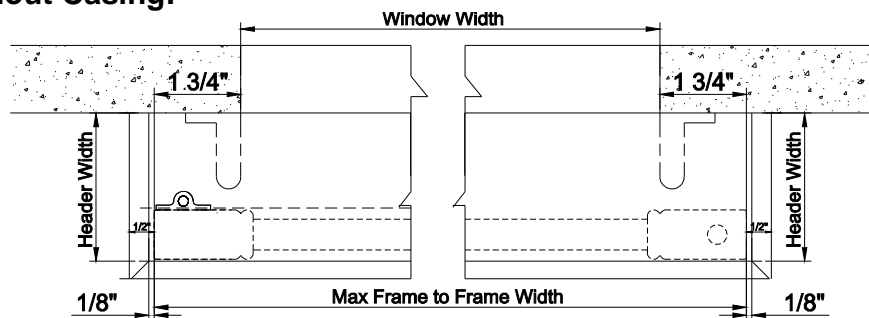
Mounting Options: Outside Mount only

Side View



Top View

Without Casing:

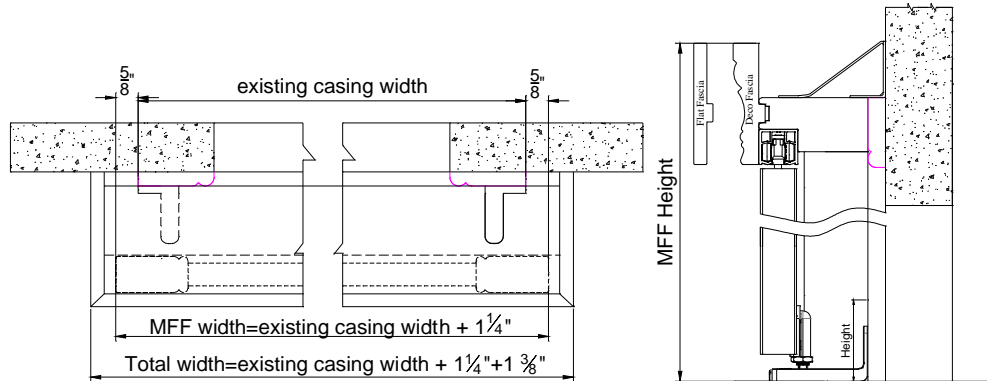


Note:

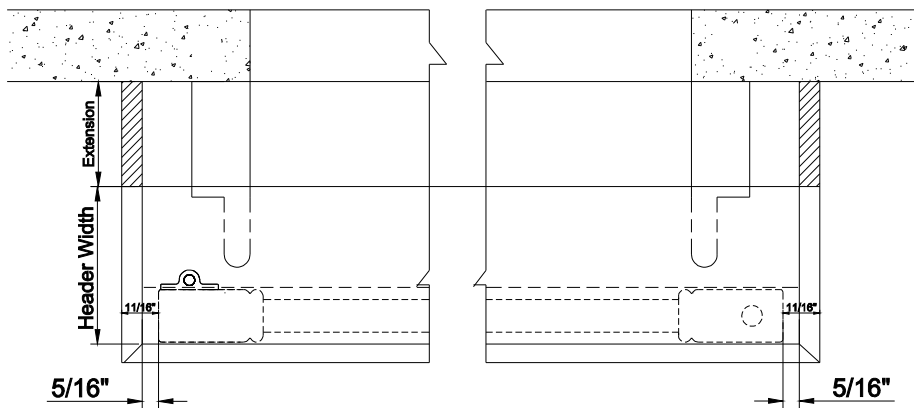
- ◇ Fascia return will protrude the panel about 1/2" for each side.
- ◇ The header will protrude the panel about 1/8" for each side.
- ◇ Header, light blocks, and bottom pivot bracket(s) must be installed on a flat surface.

Woodlore® Shutters

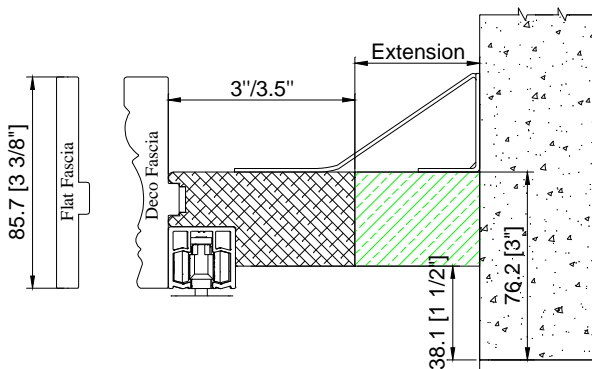
With Existing Casing:



- ✧ Header Extension: Optional
- ✧ Custom extension up to 2" for Header
- ✧ When extension is needed, the header will protrude the panel 5/16" for each side and the fascia return will protrude the panel 11/16" for each side.

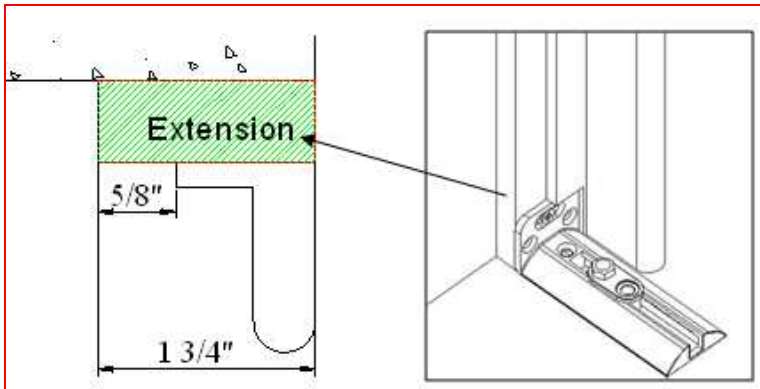


- ✧ The extension will be pre-attached.

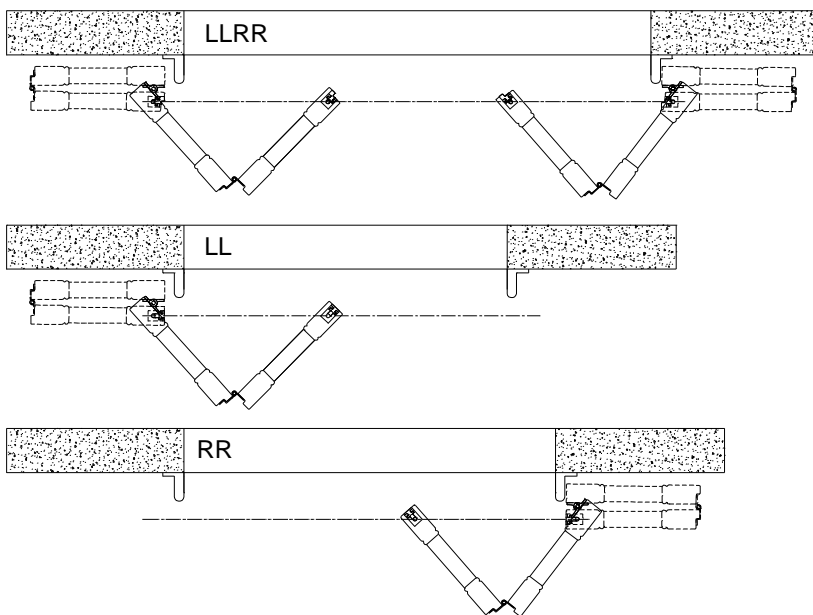


Woodlore® Shutters

For 180 Bi-fold, if Bottom Pivot L Bracket is required, the extension for the L shape light block will be 1 3/4" in width. Please see picture below:



Panel Configuration : Only 2", 2 1/4" rabbet and butt stiles are available. Center stile is not available.



Notes:

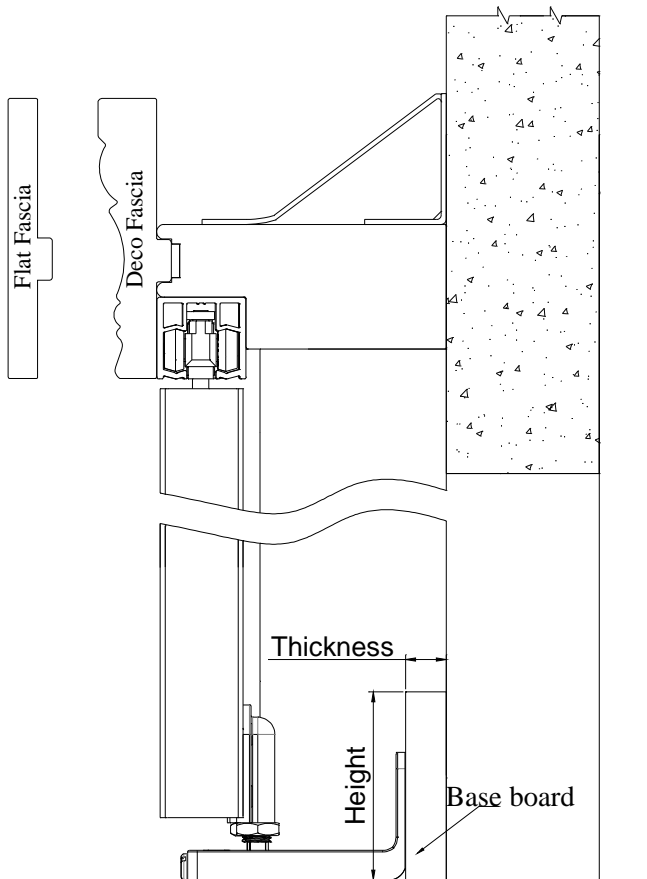
If there is no baseboard to the wall, 3" header can be used.

If there is baseboard to the wall, then it should be as below:

1. If base board thickness is less or equal to 5/8", 3 1/2" header can be used.
2. If base board thickness is over 5/8", it is suggest using the 3" header with build out. And the build out thickness=base board thickness-1/8".

Woodlore® Shutters

Please see the drawing below:



180° Bi-fold Track Shutters Framing Materials

Type	Header Dimension	Top Fascia Dimension	L Shape Light Block Strip Dimension
Header & Top Fascia & Light Block Strip	3"	3 3/8"	1 9/16"
	3 1/2"		2 1/16"

Woodlore® Shutters

180° Bi-fold Track Shutters Hardware Box

Parts
Wrench
Hinge Pin
Support L Bracket (based on the length of header)
2 ½ " screws for support L bracket
¾ " screws for support L bracket
Bottom Pivot Bracket
1 ½ " screws for bottom pivot bracket
2 ½ " screws for Frame with predrilled screw holes

Bi-fold 90

Guidelines and Specs:

<u>Description</u>	<u>Minimum</u>	<u>Maximum</u>
Single-Panel Width (Bi-fold Track)	6"	24"
Single-Panel Width (Multifold track up to 4 panels)	N/A	N/A
Single-Panel Height	10"	120"

Outside Mount

Max frame-to-frame width: window width + 3 1/2"

Max frame-to-frame height: window height + 4 1/2"

Semi-Inside Mount

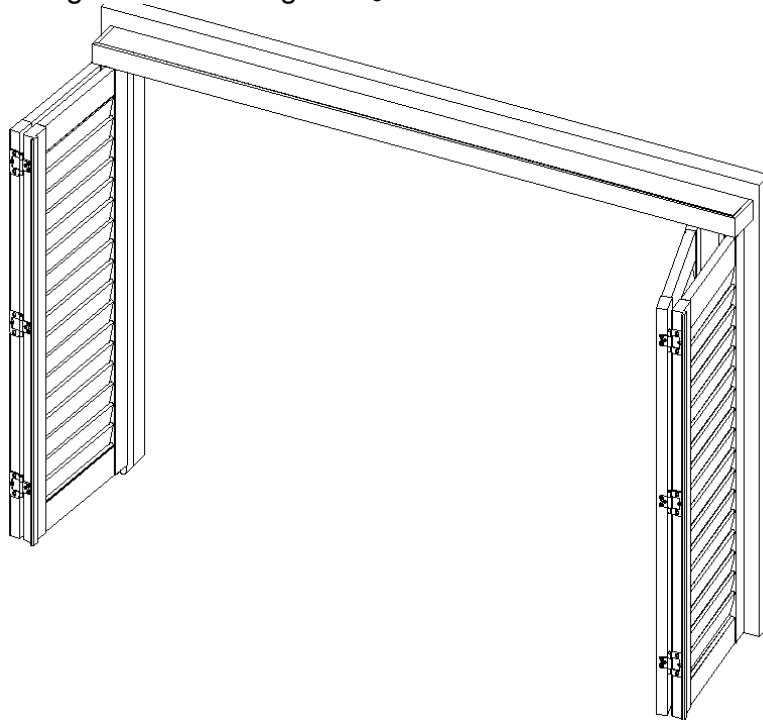
Max frame-to-frame width: window width - 1/8"

Max frame-to-frame height: window height + 1 3/8"

Inside Mount

Max frame-to-frame width: window width - 1/8"

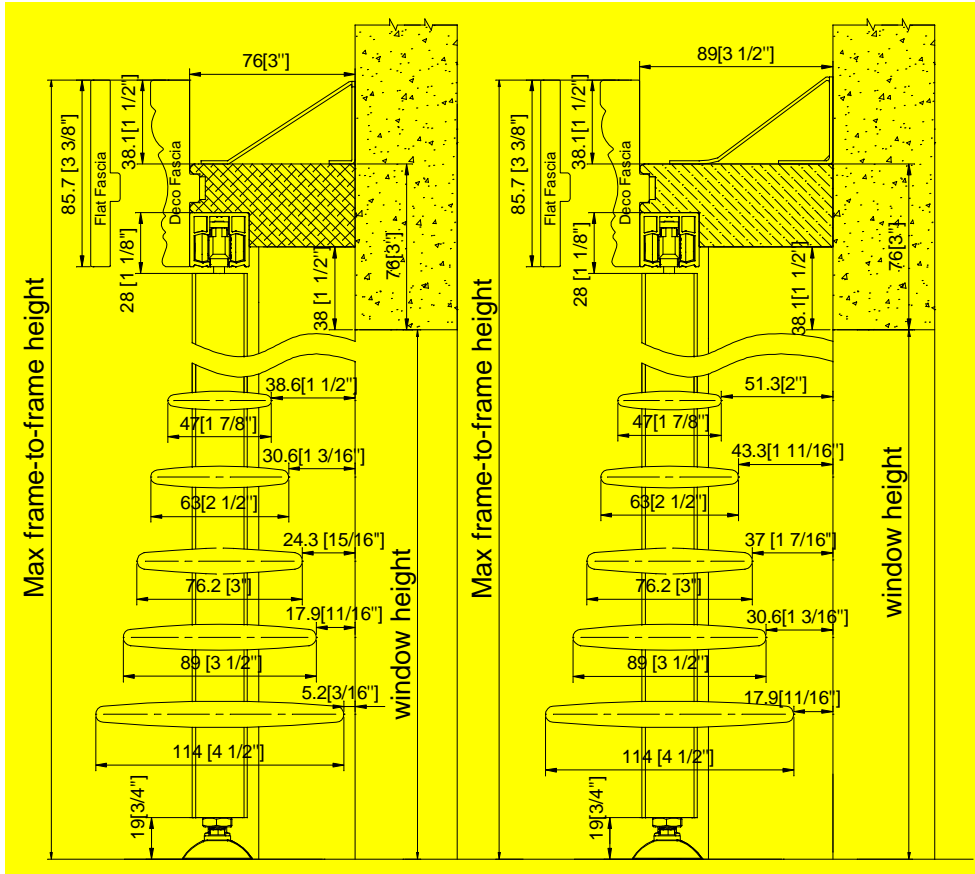
Max frame-to-frame height: window height - 1/8"



Track is pre-installed on the header; standard 1 track only.

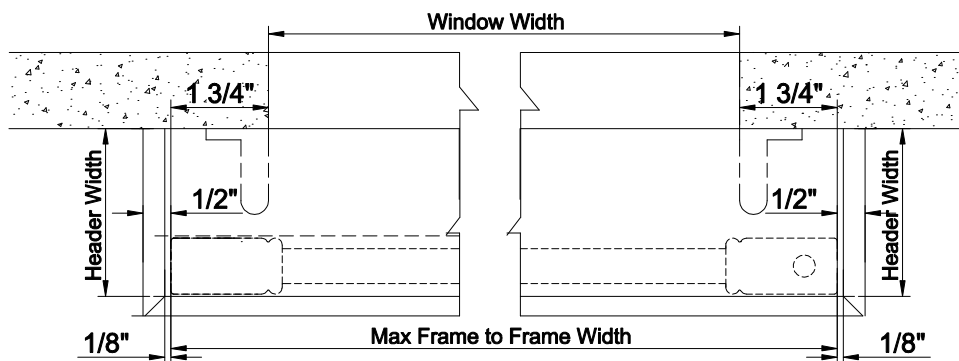
Mounting Options: Outside Mount

Side View



Top View

Without Casing:

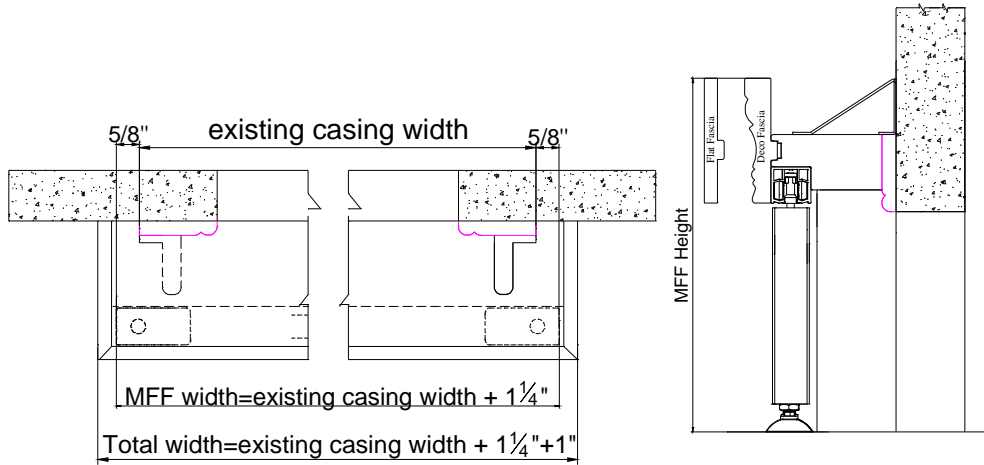


Note:

- ◇ Fascia return will protrude the panel about 1/2" for each side.
- ◇ The header will protrude the panel about 1/8" for each side.
- ◇ Header, light blocks, and bottom pivot bracket(s) must be installed on a flat surface.

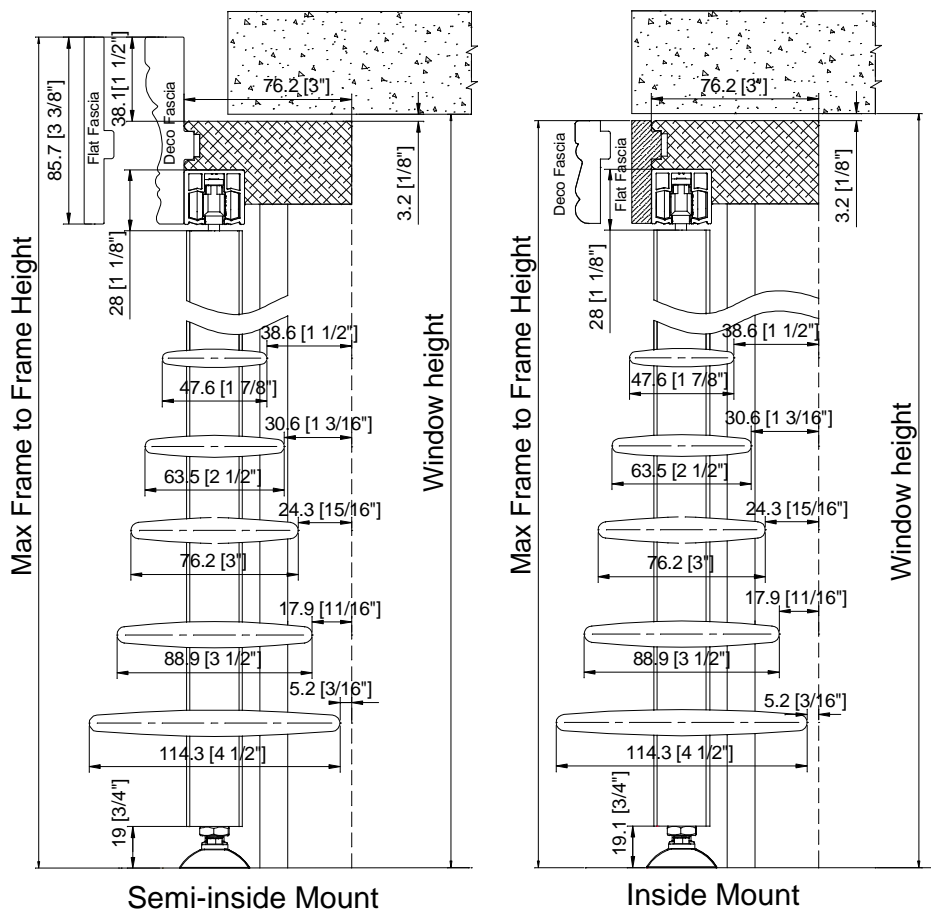
Woodlore® Shutters

With Existing Casing:



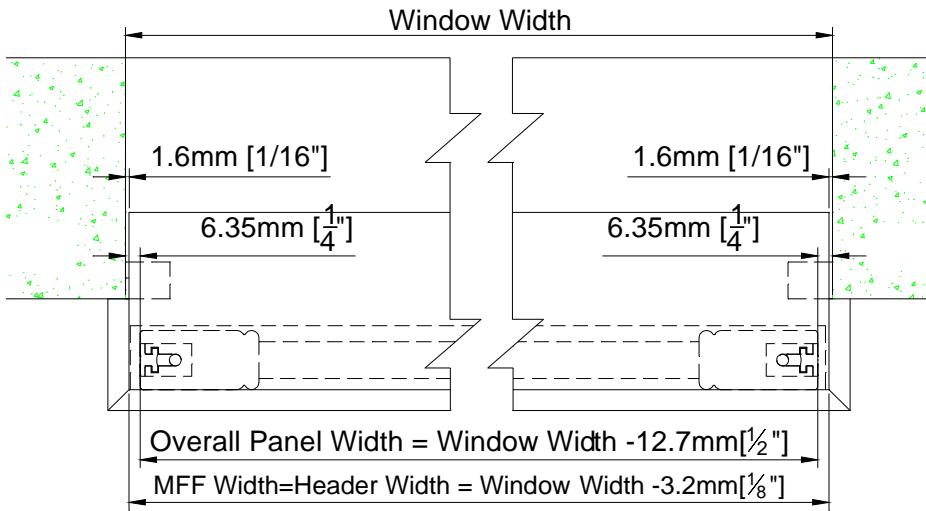
Semi-Inside/Inside Mount

Side View

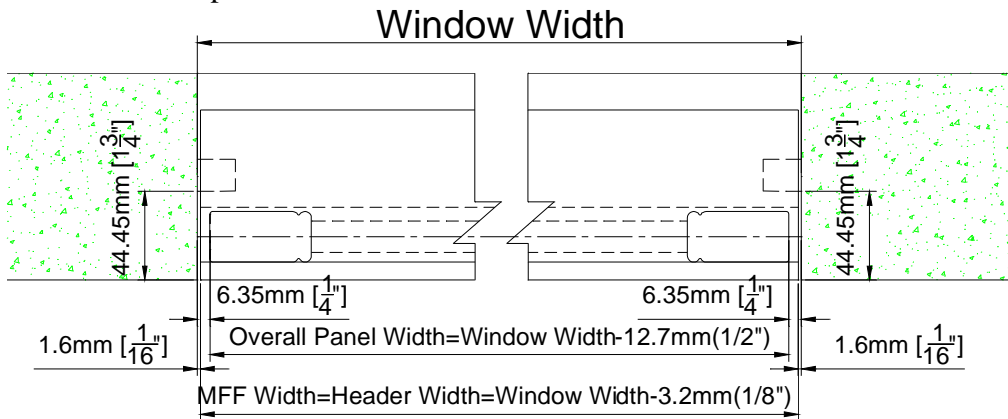


Woodlore® Shutters

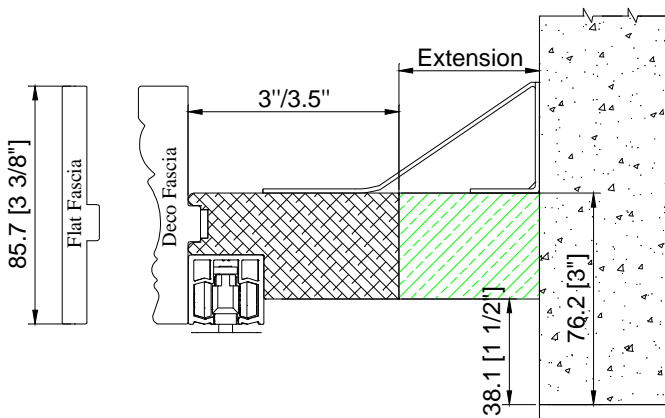
Semi-Inside Mount Top View



Inside Mount Top View



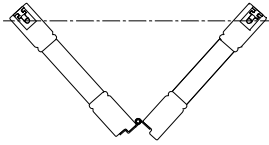
- ◇ Header Extension: Optional.
- ◇ Custom extension up to 2" for Header
- ◇ The extension will be pre-attached.



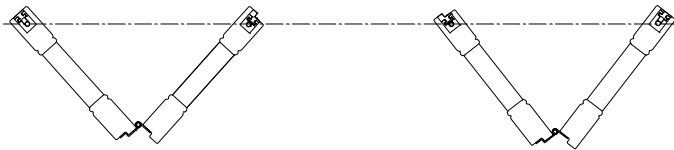
Woodlore® Shutters

**Panel Configuration: Only 2", 2 1/4" rabbet and butt stiles are available.
Center stile is not available.**

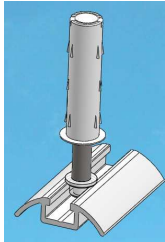
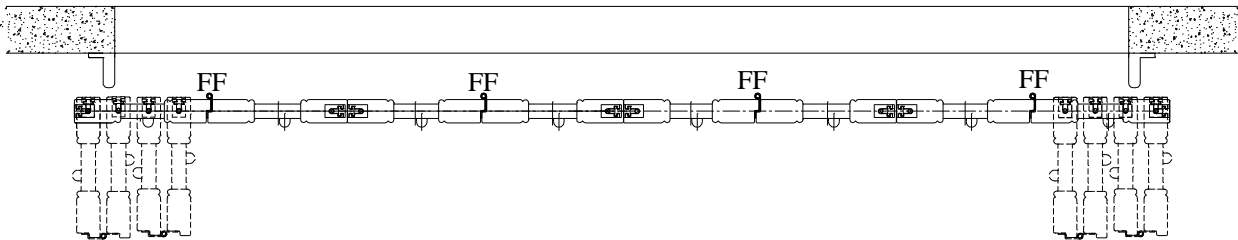
LL or RR



LLRR



90° Floating Panels

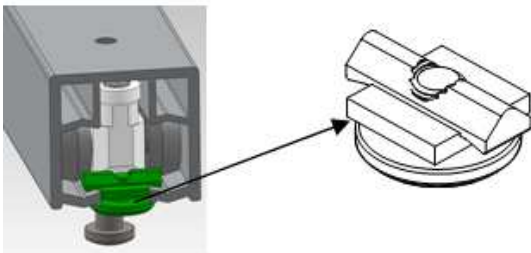


- Two panels can be hinged together, fold and slide to either direction
- Application comes with wheel carrier, spring loaded guide and floor track
- Can be used on large window

Note:

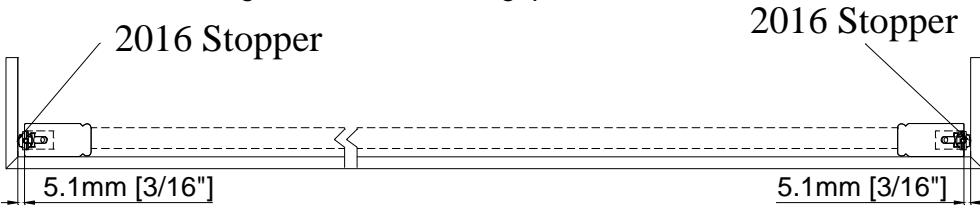
1. For 90° Floating Panels outside mount/semi-inside mount without side boards, the 2016 Stopper will be supplied by default. The gap between the fascia return / end of top track and the panel is 5mm each side. The 2016 stopper can also be used in the center or any position of the top track as an option.

2016 Stopper



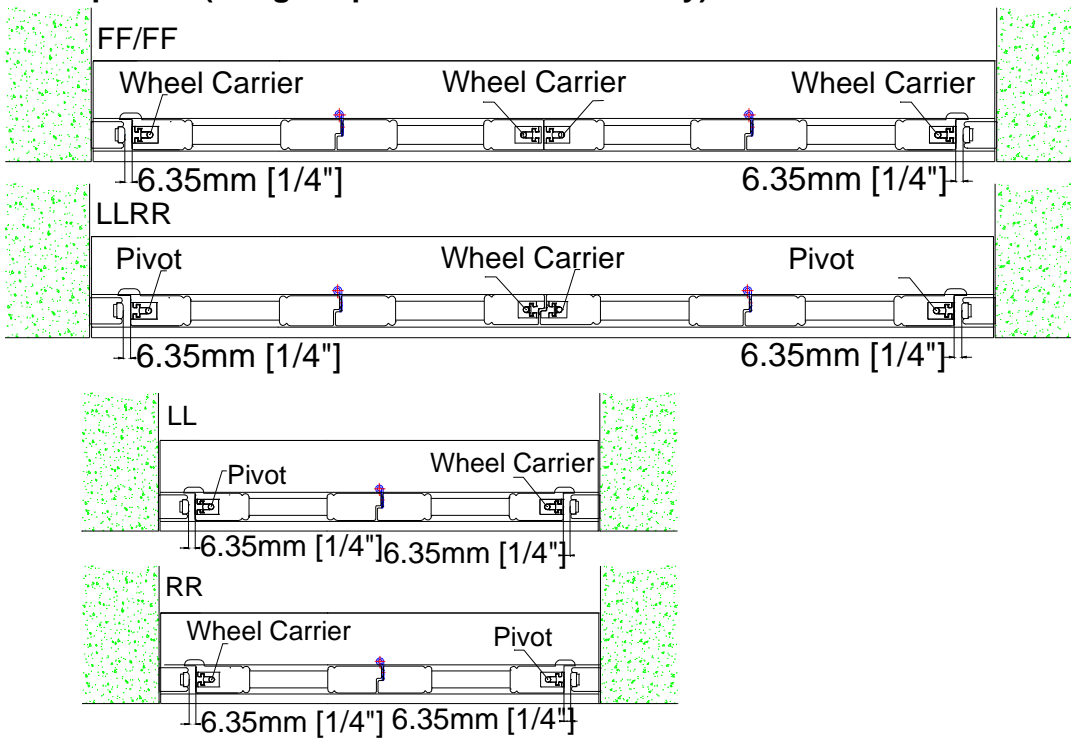
Woodlore® Shutters

Please see drawing below to show the gap.

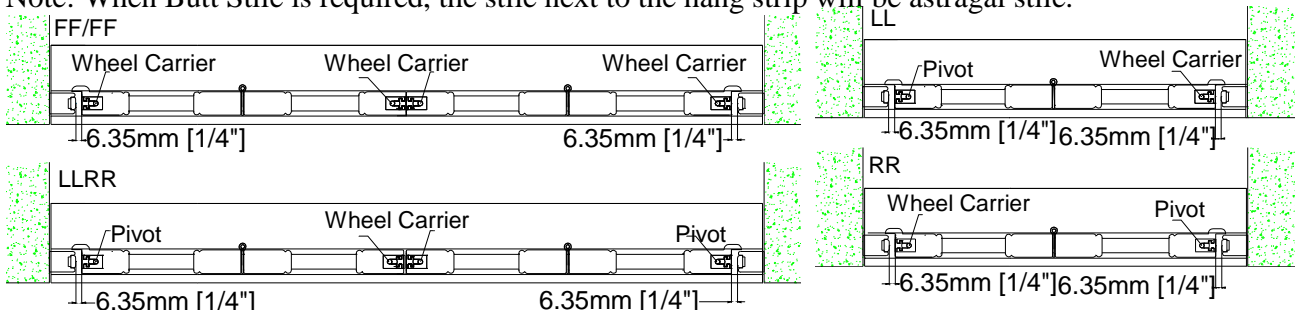


2. When rabbet stile required, the meeting stile of unhinged stile will be butt stile by default.

Optional (Hang Strip for Inside Mount Only)



Note: When Butt Stile is required, the stile next to the hang strip will be astragal stile.



Woodlore® Shutters

90 degree Bi Fold Track Shutters Framing Materials

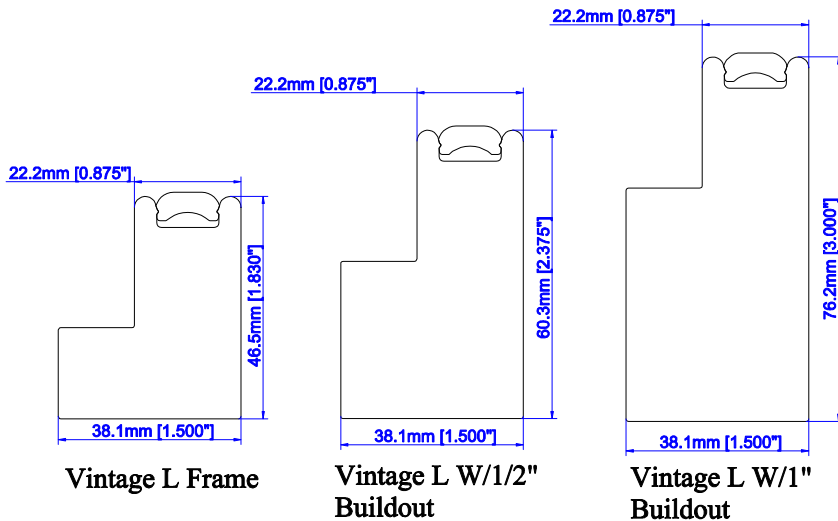
Type		Header Dimension	Top Fascia Dimension	Light Block Strip Dimension	Hang Strip Dimension
Header & Top Fascia & Light Block Strip	OM	3"	3 3/8"	1 9/16"	
		3 1/2"		2 1/16"	
	Semi-IM	3"	5/8"x3/4"	1.08"x0.875"	
	IM	3"	5/8"x3/4"		

Note: It will be L shape light block strip for outside mount.

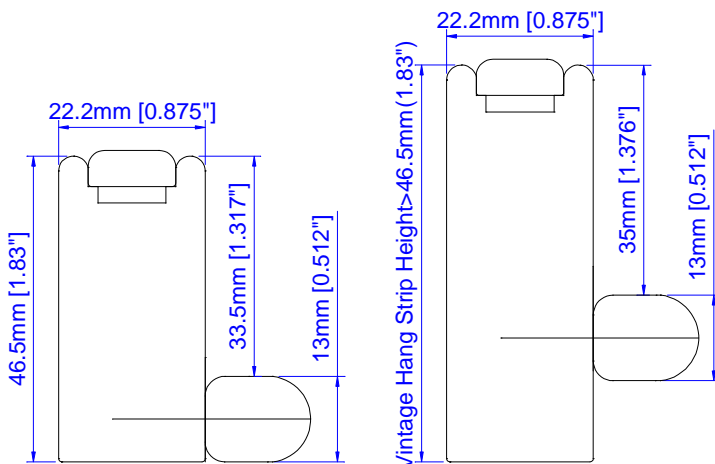
Frame Hinged Bifold

Available Stile: Rabbet Stile Only

Available Frame type



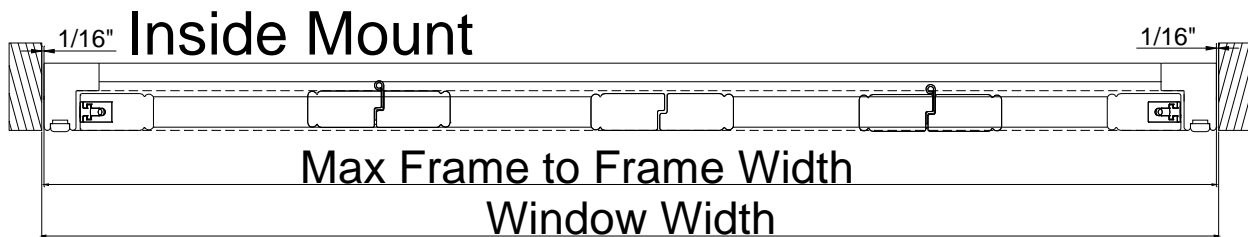
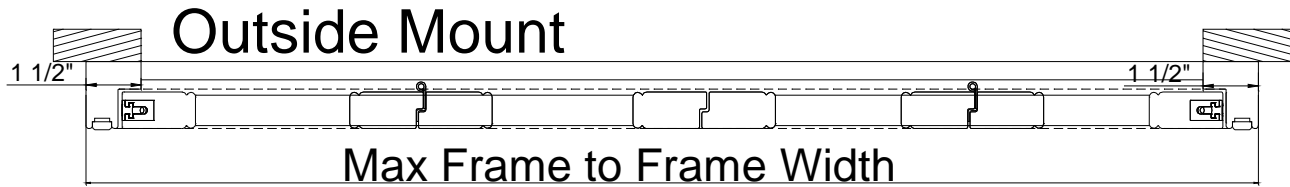
Vintage Hang Strip with 13mm light block: For single direction shutter with even panel qty, the frame on the unhinged side will be Vintage Hang Strip with 13mm [0.512"] light block, the height of the Vintage Hang Strip will match with that of the hinged side frame. The Vintage Hang Strip will be made in wood with surcharge.



Woodlore® Shutters

Top View

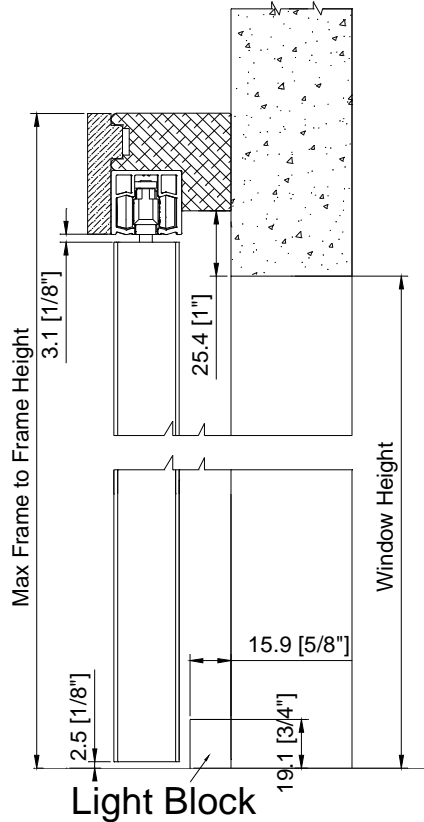
Hinged at Left or Right with wheel assembly at top;



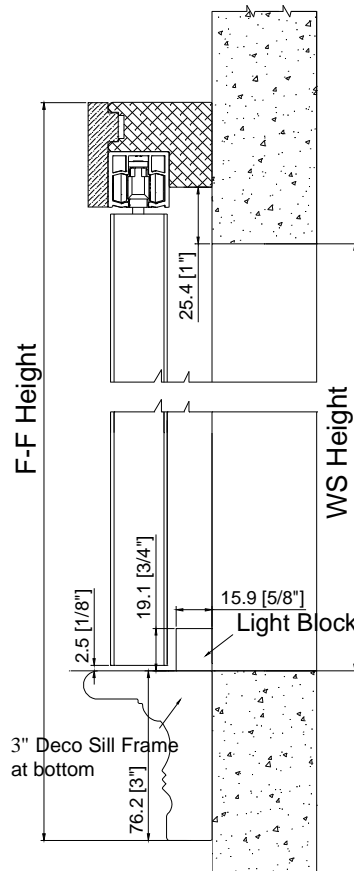
Side View

Outside Mount

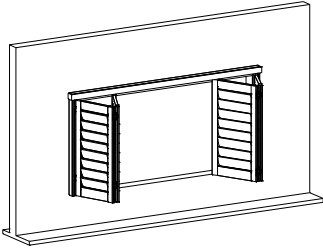
3-Sides + bottom light block



3-Sides + 3" Deco Sill Frame

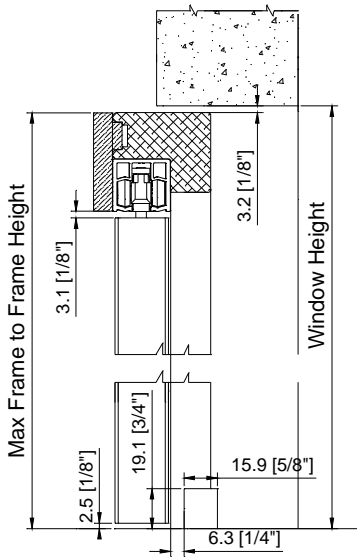


Woodlore® Shutters

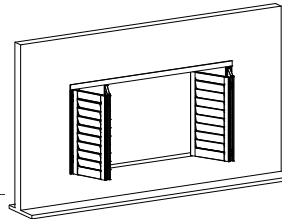
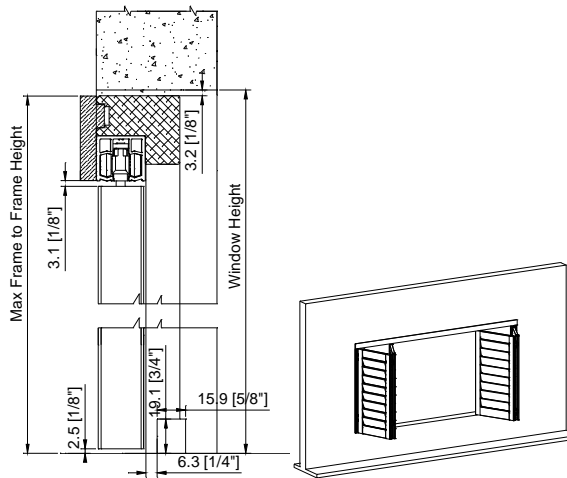


Note: For OM Frame Hinged Bifold shutter not to use as a door, if there is no existing sill at the bottom of the window opening, it is recommended to have the 3" Deco Sill Frame at the bottom.

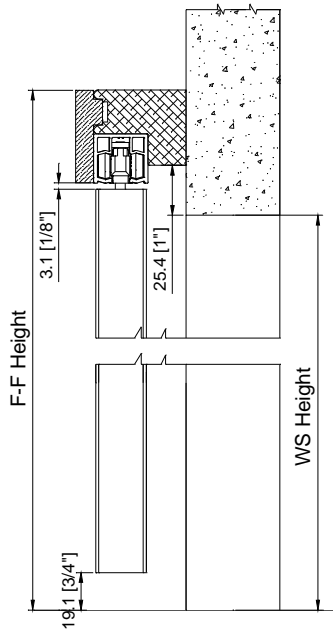
Semi-Inside



Inside Mount

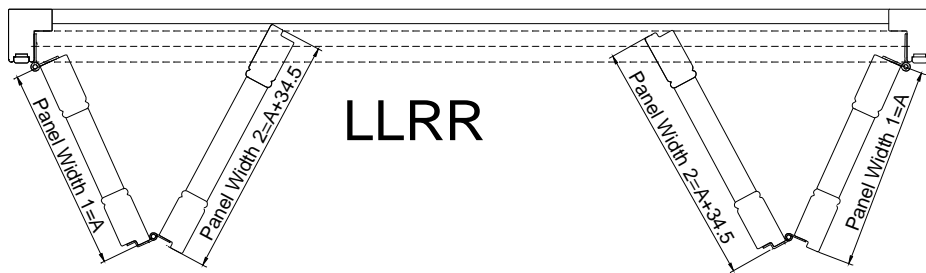
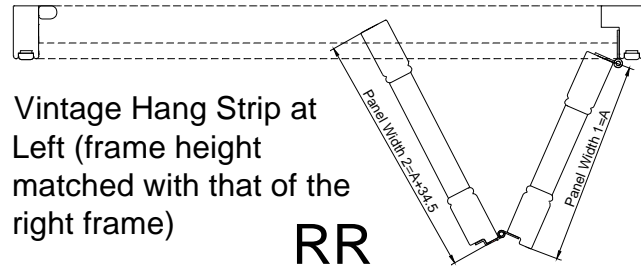
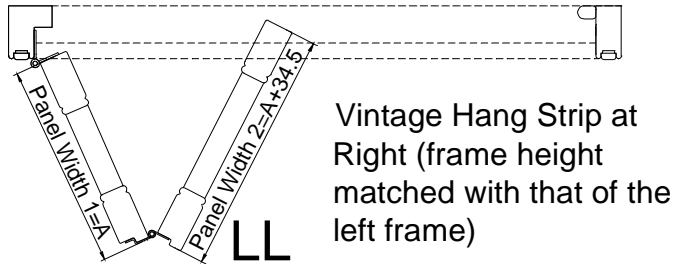


For frame hinged bifold track shutter used as door, the bottom gap will be 19mm by default. Please specify "Used As Door" on the order form.



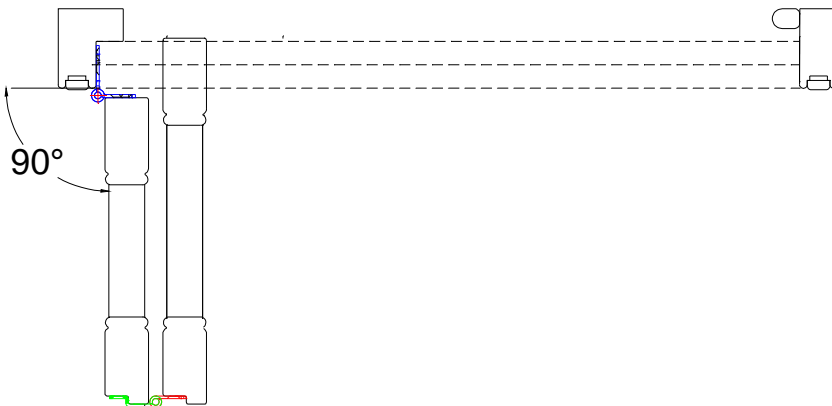
Woodlore® Shutters

Panel Configuration (uneven panel width)



Notes:

1. Only available for 3-Sides + bottom light block or 3-Sides + 3" Deco Sill Frame (4-sides is not available); Panels can be folded and open at 90 degree;



2. Frames available: Only Vintage L Frame

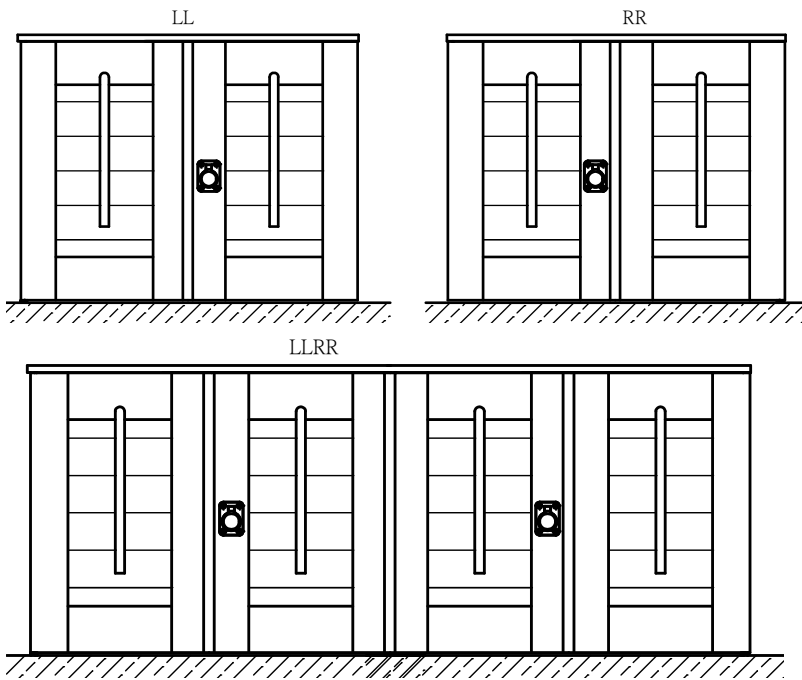
- 1) For top frame, the insert will be replaced by top fascia;
- 2) Top track will be pre-attached to the top frame;
- 3) Frame will be pre-drilled with screw holes same as regular shutters.

Ring Pull: The ring pull will be provided as an option; and for frame hinged bi-fold, the ring pull will be supplied as default; Customer need specify ring pull location on the order form. Ring pull location is measured from the floor to center of the ring pull in height direction.

Ring pull color will match the hinge color.

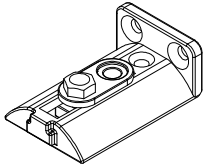
Woodlore® Shutters

Please refer to below drawing of ring pull position for all shutter type:

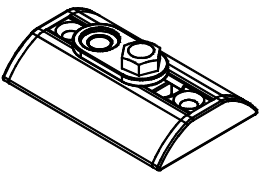


Bottom Pivot Bracket for 90 degree bifold:

For 90° Bifold Track Shutter, there will be 2 types of Bottom Pivot Brackets available.

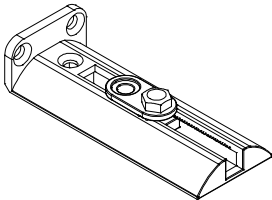


For Inside Mount, Bottom Pivot L Bracket will be supplied as default;



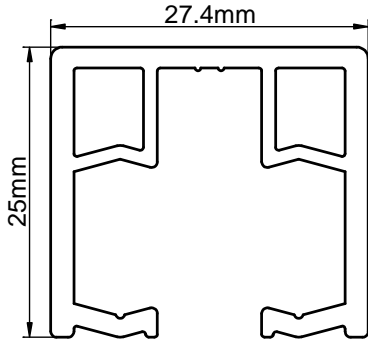
For Semi-Inside or Outside Mount, bottom pivot bracket will be supplied as default.

For 180° Bifold Track Shutter, 81mm Bottom Pivot L Bracket will be supplied as default.

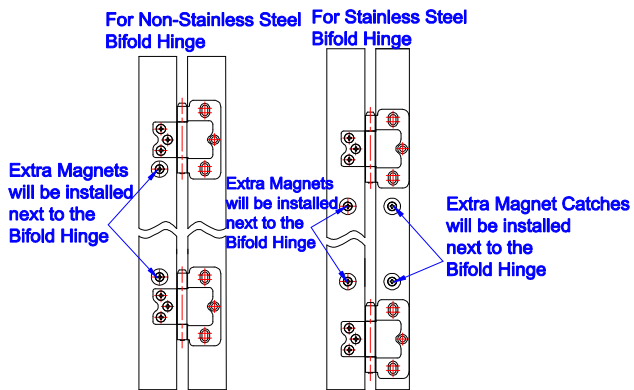


Track Dimension:

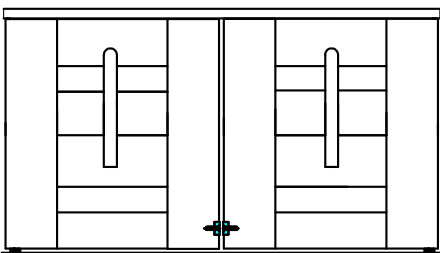
Top Track



Extra Magnets will be supplied for Bifold hinges: (only for the most top and bottom hinges)



Side Magnet: applied to the meeting stiles of LR panels



Extra magnet and Side Magnet

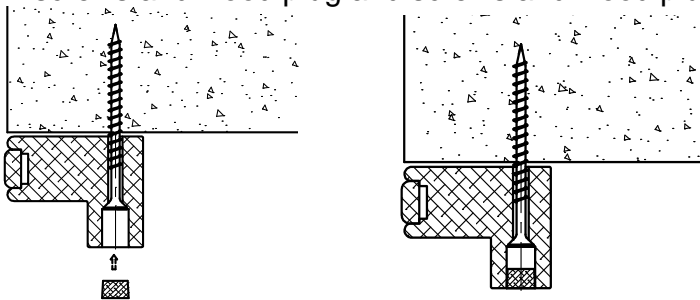


90° Bi Fold Track Shutters Hardware Box

Parts
Wrench
Hinge Pin
Support L Bracket (based on the length of header)
2 ½ " screws for support L bracket
¾ " screws for support L bracket
Bottom Pivot Bracket
38.1mm screws for bottom pivot bracket
63.5mm screws for Frame with predrilled screw holes

Notes:

1. for all bifold track shutter Outside Mount, the header will be pre-drilled with screw holes in the insert and screws will be supplied by default;
2. for all bifold track shutter Inside/Semi-Inside Mount, the header will be pre-drilled with holes for screws and wood plug and screws and wood plug will be supplied by default

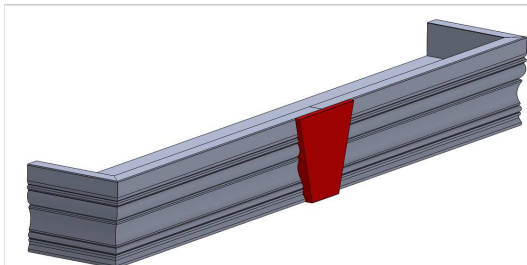


Keystone for Fascia of the Track Shutter

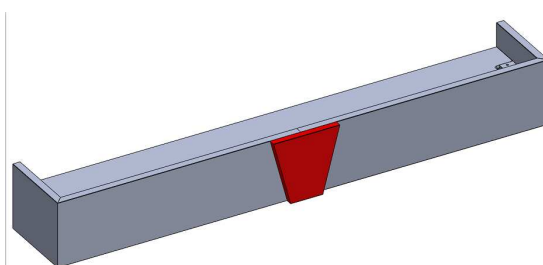
When fascia length exceeds the limitation and needs to split, keystone design fascia will be supplied without surcharge for track shutters.

For fascia length within the split limitation, keystone can also be supplied as an option with surcharge.

For Deco Fascia:

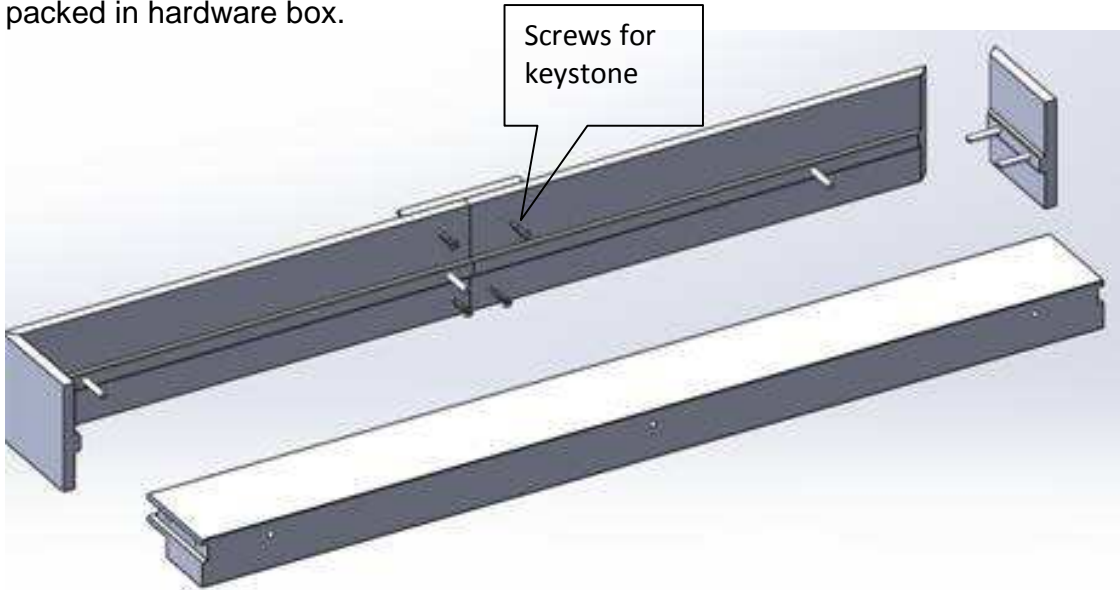


For Flat Fascia:



Woodlore® Shutters

The keystone will be installed by screws. We will pre-drill the screw holes and the screws will be packed in hardware box.



Track Shutters—Bypass



Guidelines and Specs:

<u>Description</u>	<u>Minimum</u>	<u>Maximum</u>	
		1 ⁷ / ₈ "	2 ¹ / ₂ "; 3" ; 3 ¹ / ₂ "; 4 ¹ / ₂ "
Single-Panel Width (Woodlore)	6"	24"	30"
Single-Panel Height	10"	120"	120"

Outside Mount

Max frame-to-frame width: window width + 3"

Max frame-to-frame height: window height + 4¹/₂"

Semi-Inside Mount

Max frame-to-frame width: window width - 1¹/₈"

Max frame-to-frame height: window height + 1³/₈"

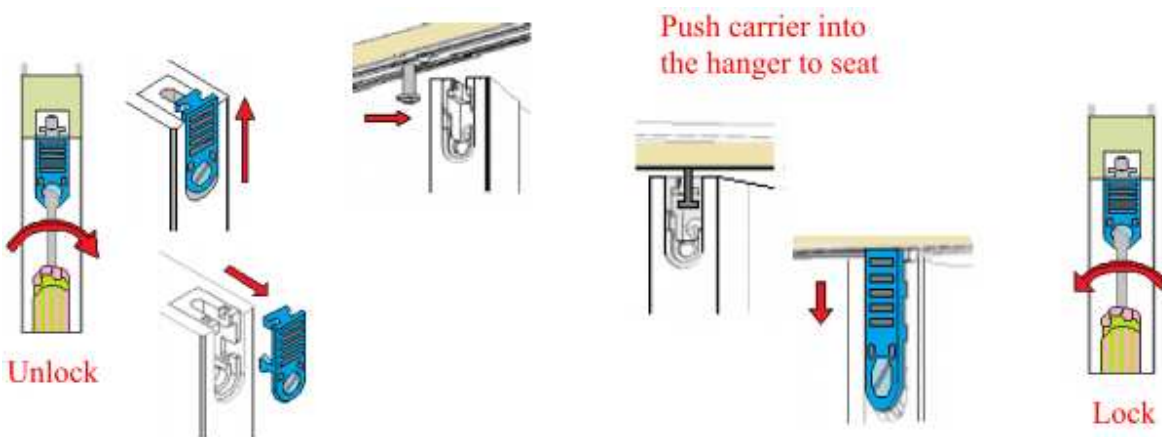
Inside Mount

Max frame-to-frame width: window width - 1¹/₈"

Max frame-to-frame height: window height - 1¹/₈"

Carriers are in the Track / Hangers are in the Panel:

Adjustments to panel alignment are made by turning the Carrier Bolt with the wrench included in the Hardware Box

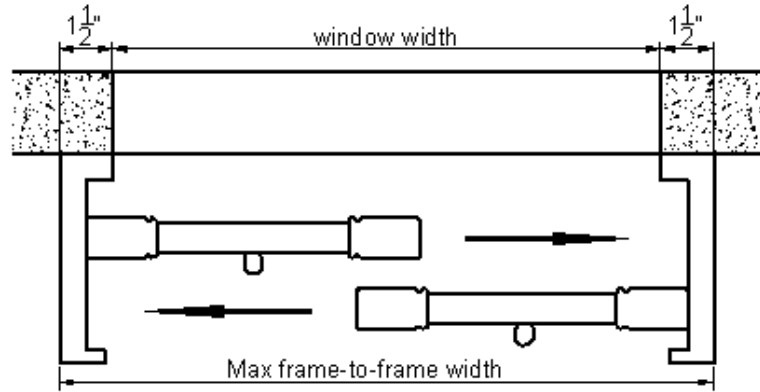


Track Shutters—Bypass

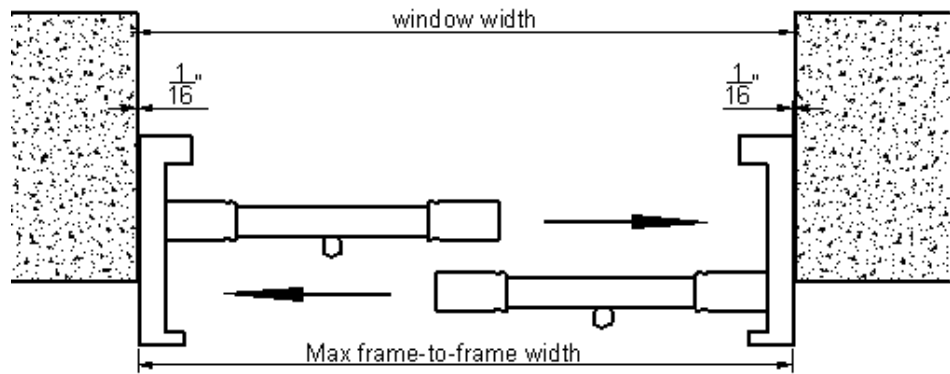
Woodlore® Shutters

Top View

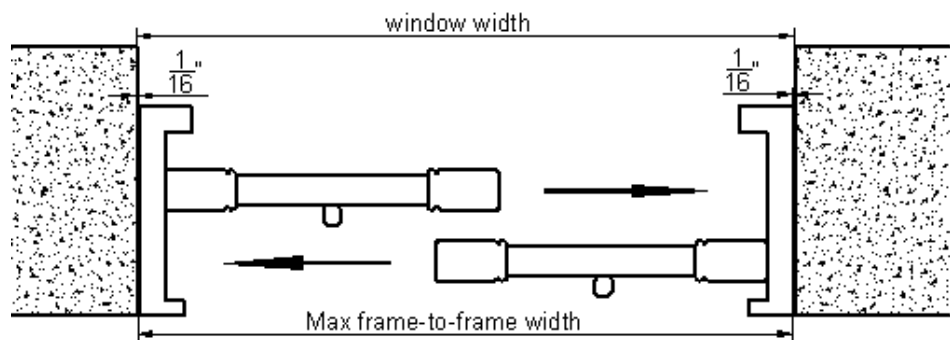
Outside Mount



Semi-Inside Mount



Inside Mount

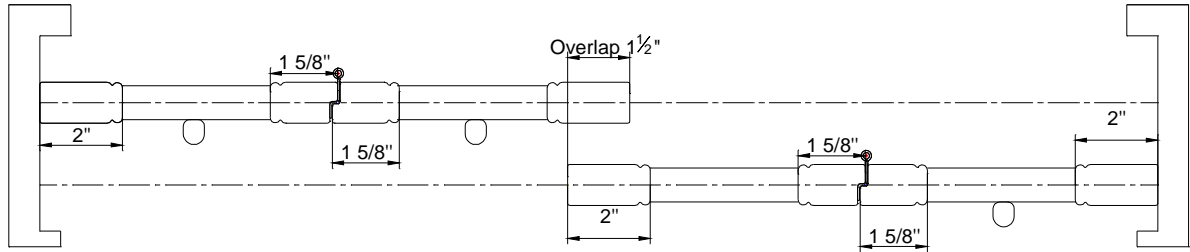


Track Shutters—Bypass

Woodlore® Shutters

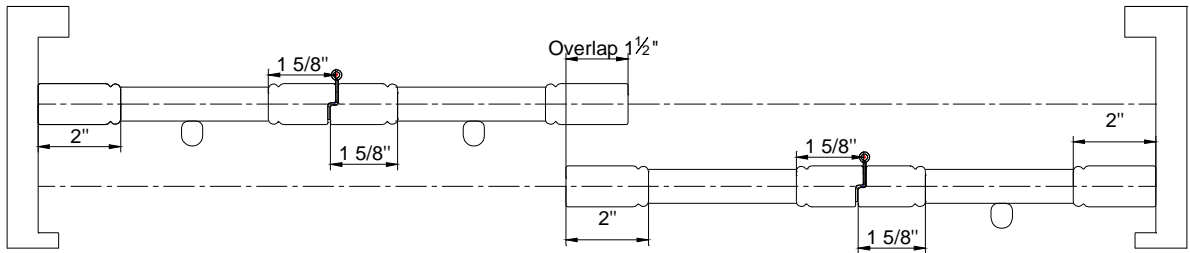
Top View

Combi - joined Panels (optional)

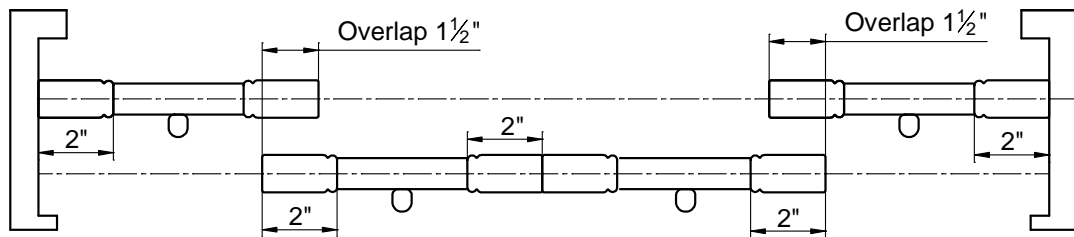


For shutters with 4 or more panels, please select “side open” or “center open”

Side Open



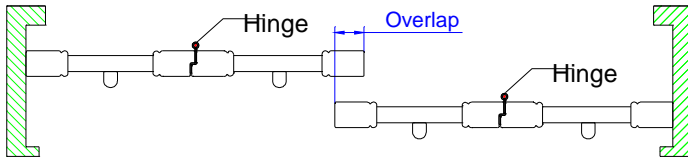
Center Open



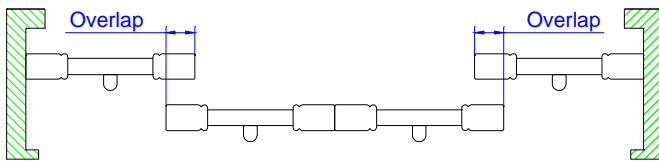
Track Shutters—Bypass



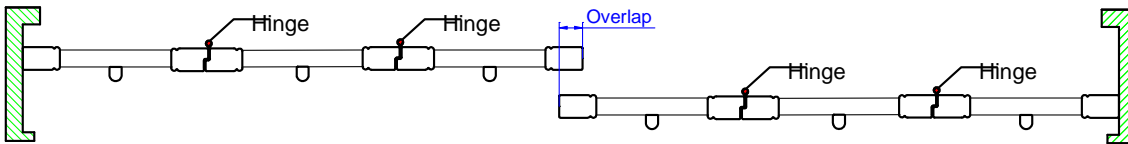
4 panels side open w/Rabbit stile



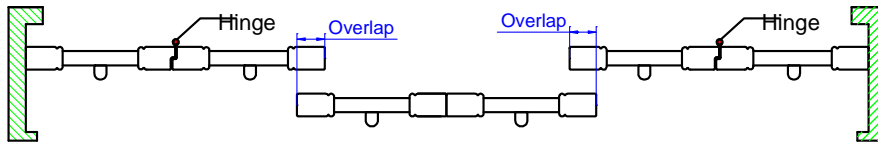
4 panels center open w/Rabbit stile



6 panels side open w/Rabbit stile



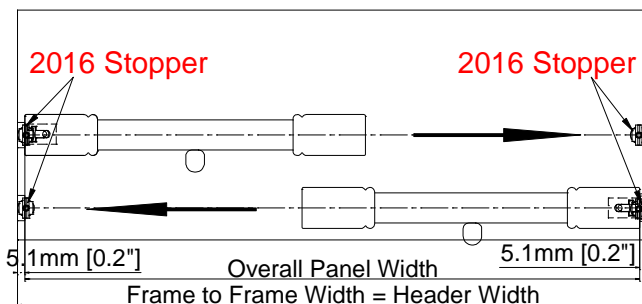
6 panels center open w/Rabbit stile



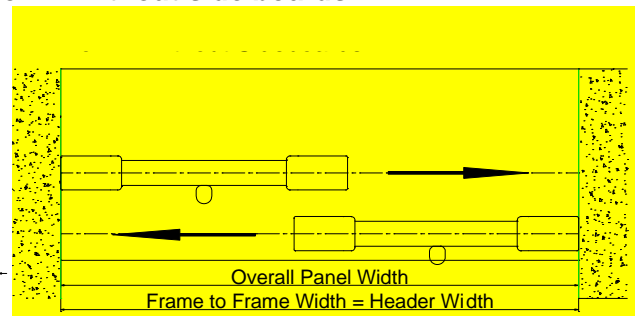
Stile: Only 2", 2 1/4" rabbit stile is available,
 1 5/8" rabbit stile only used for combi-joined panels.
 Center stile is not available.

Size Definition

For Semi-Inside/OM without side boards



For IM without side boards



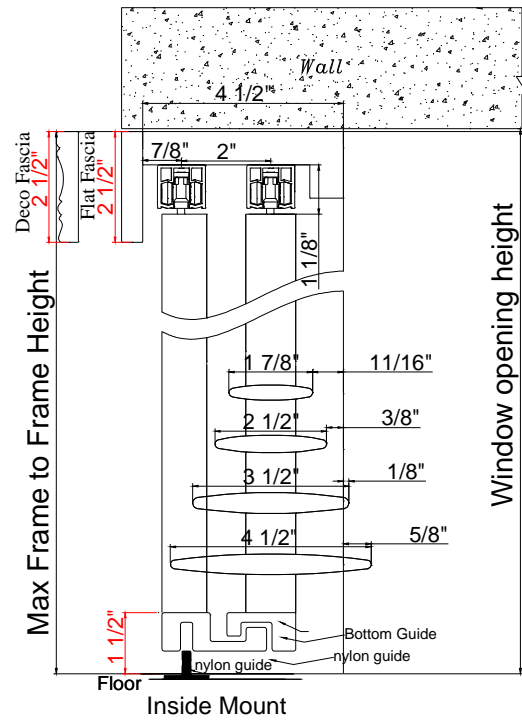
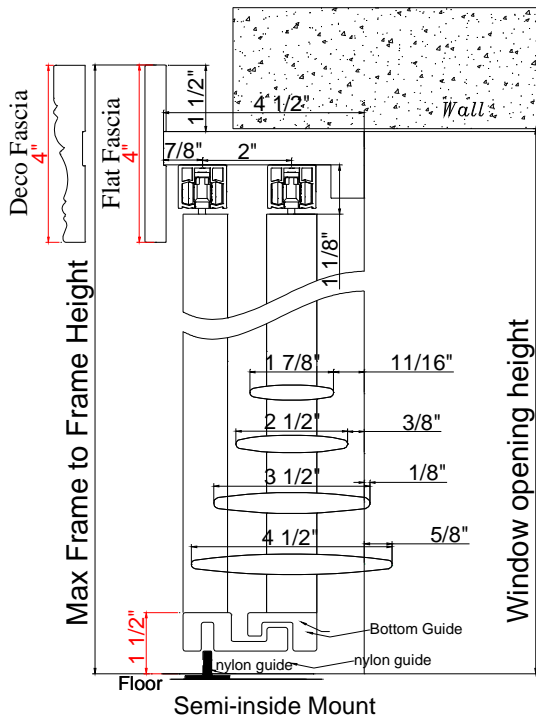
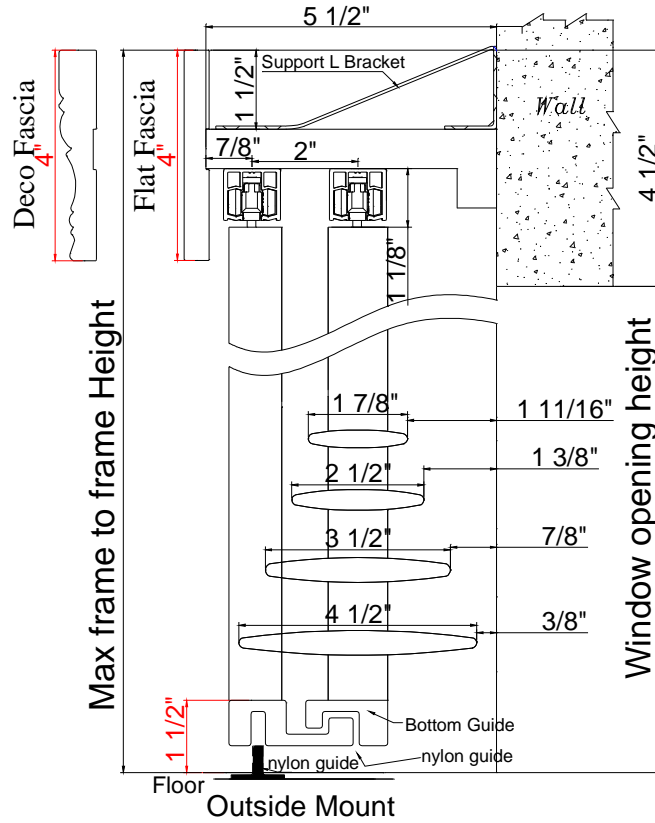
Note: For Semi-Inside/OM bypass without side boards, 2016 Stopper will be supplied.

Track Shutters—Bypass



Mounting Options (Closed Bypass)

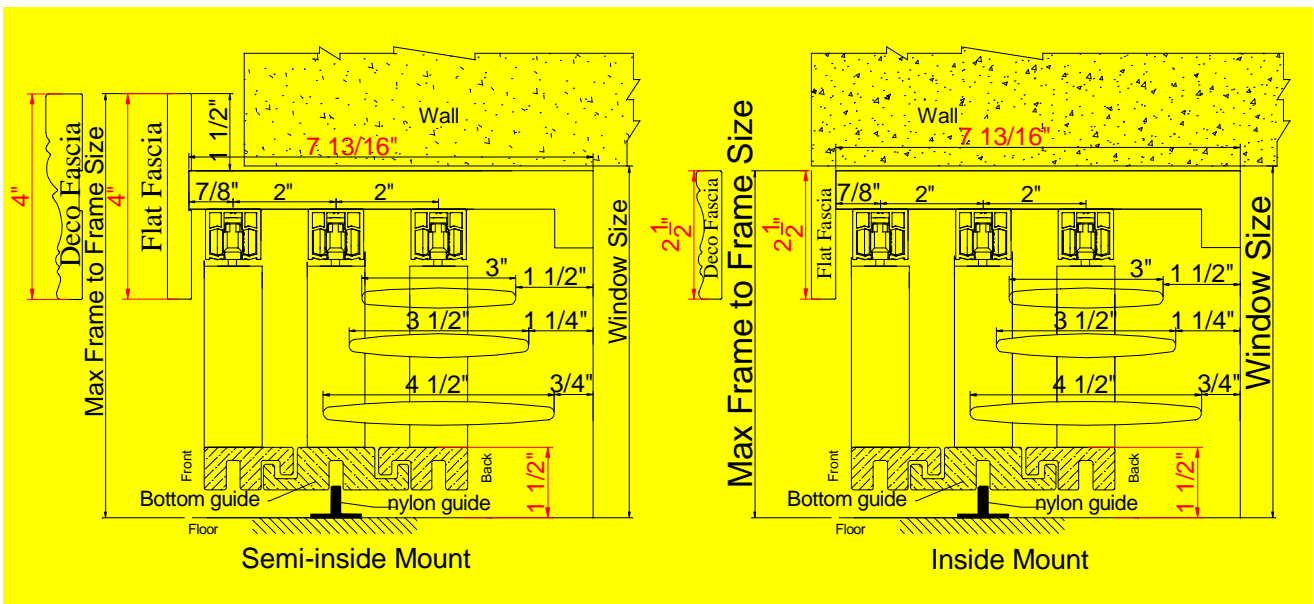
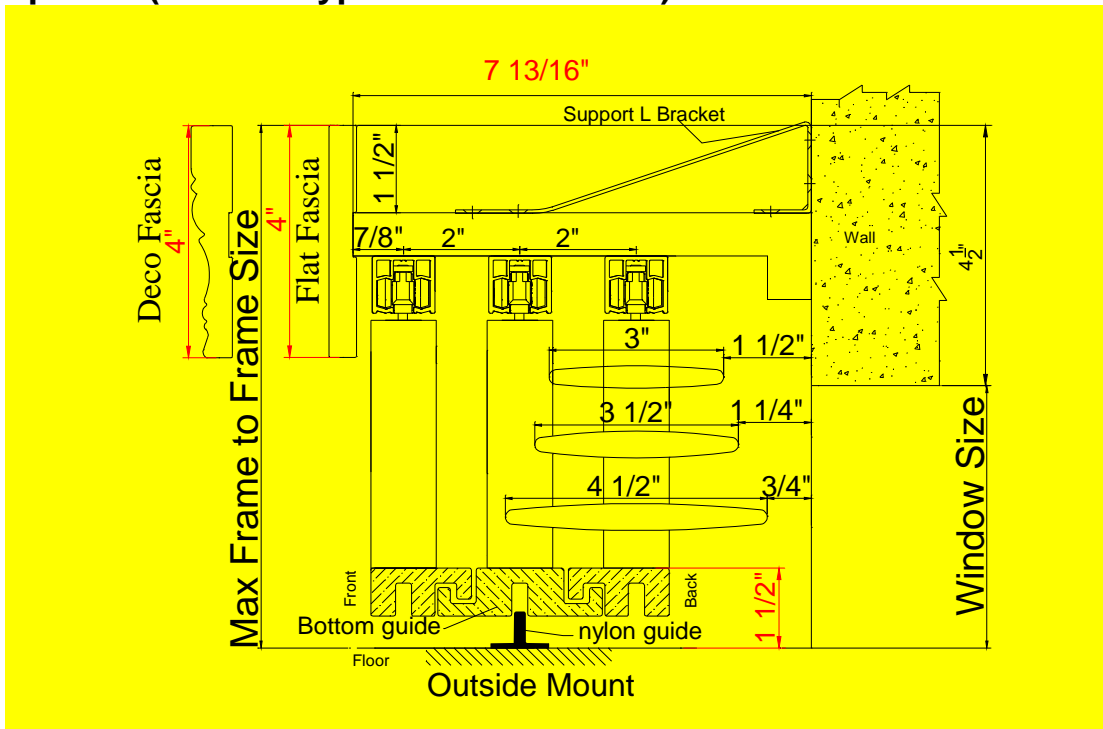
Side View



Track Shutters—Bypass

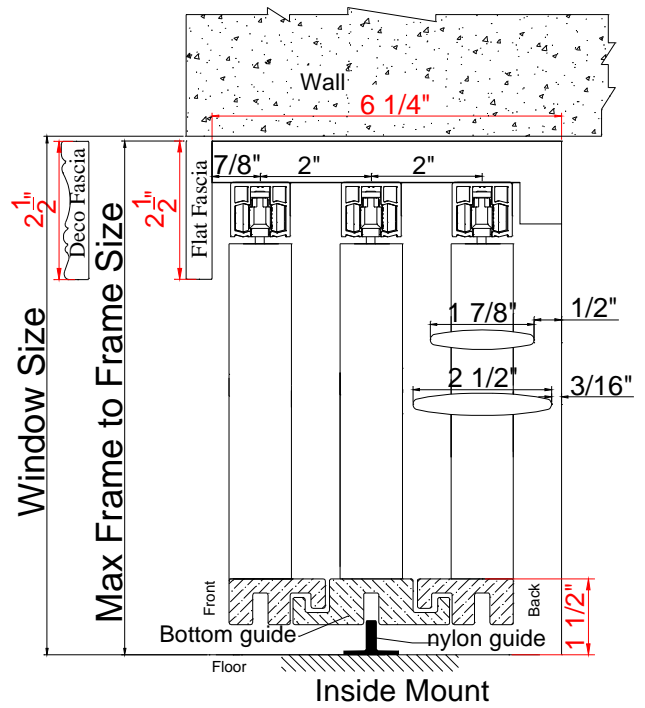
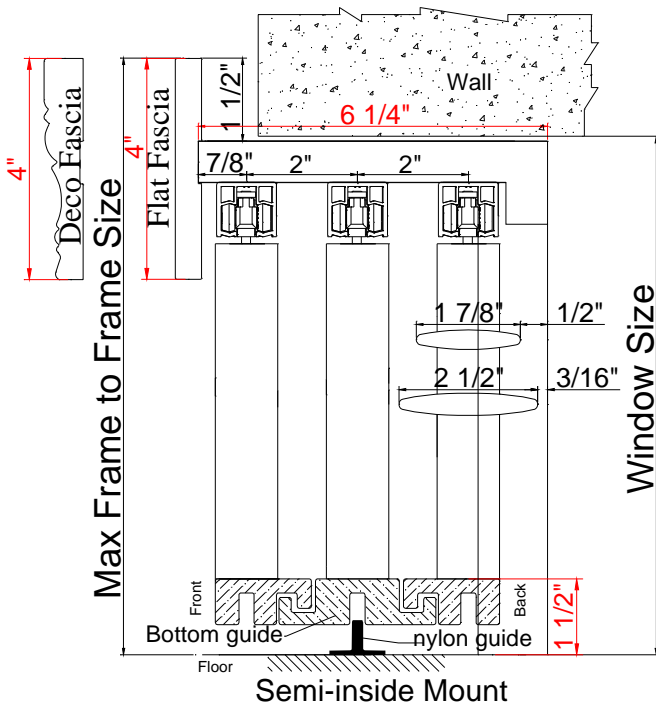
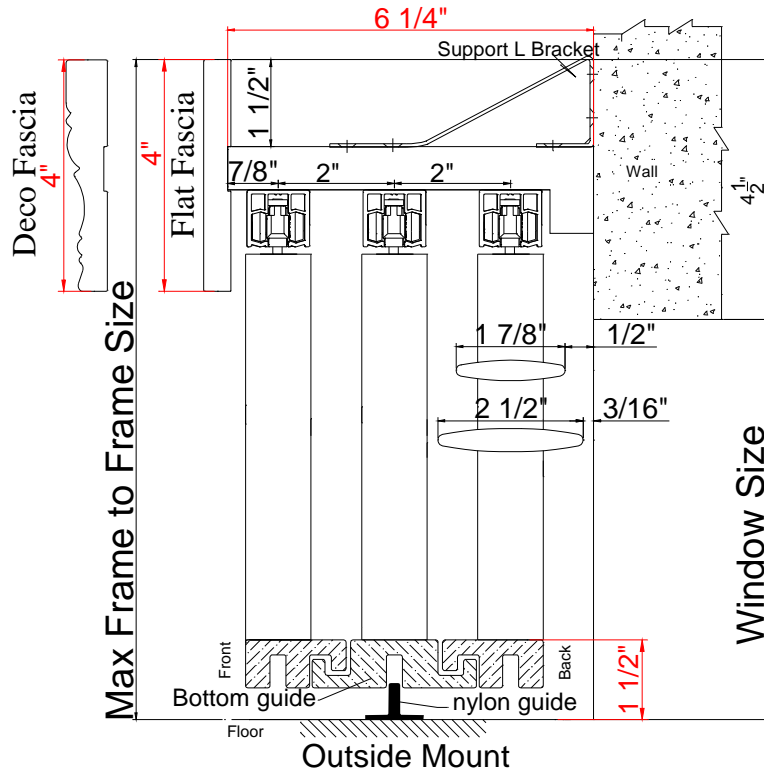


Mounting Options (Closed Bypass with 3 Tracks):



Track Shutters—Bypass

Woodlore® Shutters



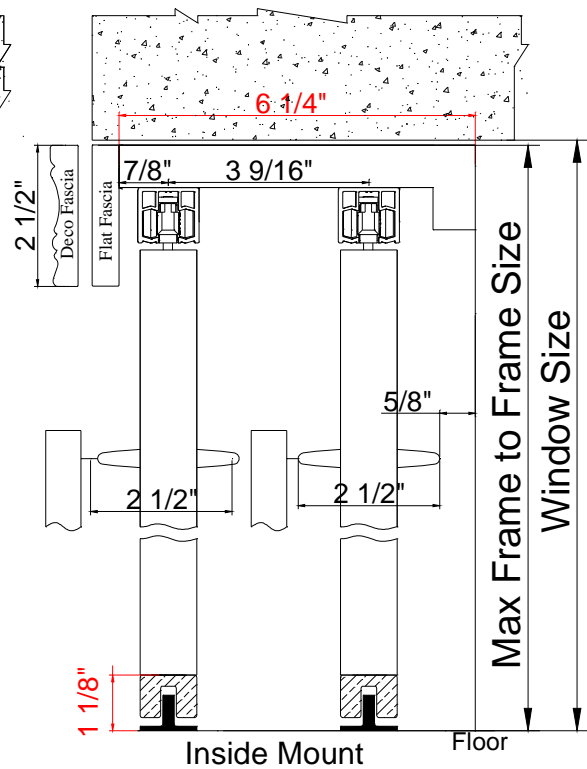
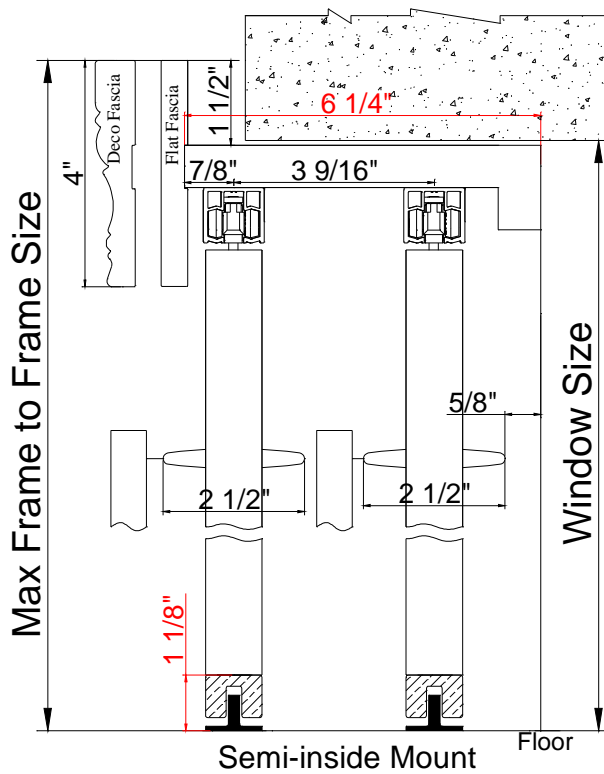
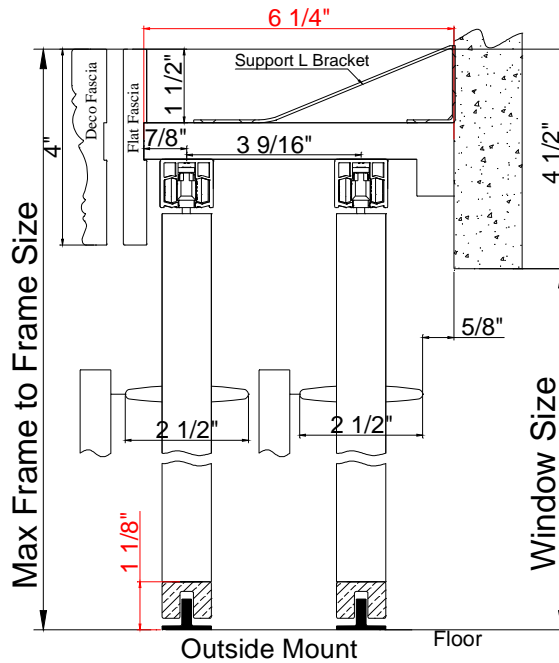
Track Shutters—Bypass



Mounting Options (Opened Bypass)

Only available in 2 1/2", 3" and 3 1/2" louver sizes

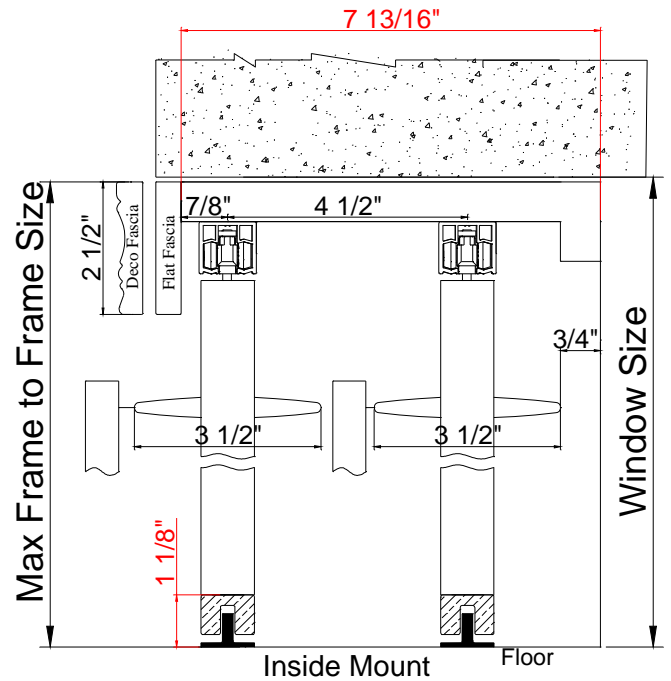
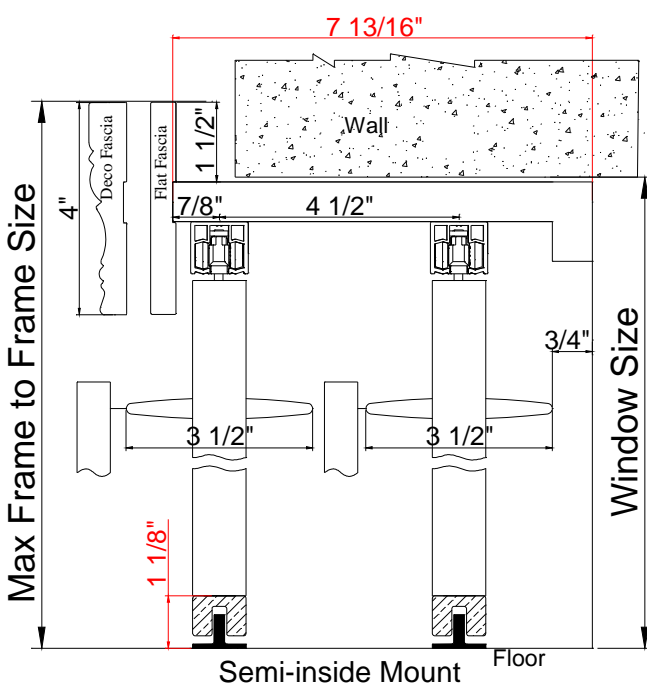
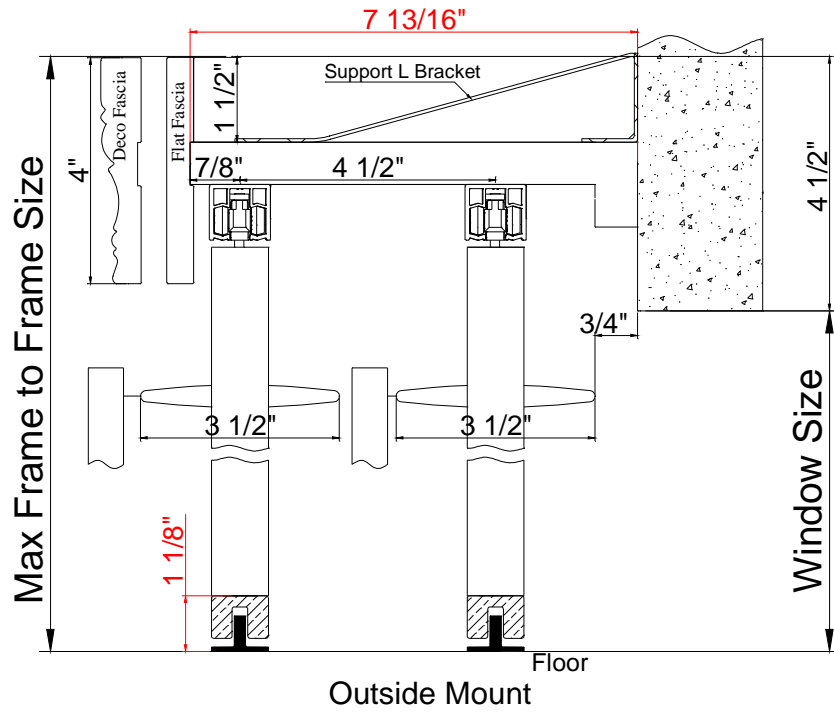
2 1/2" Louver



Track Shutters—Bypass

Woodlore® Shutters

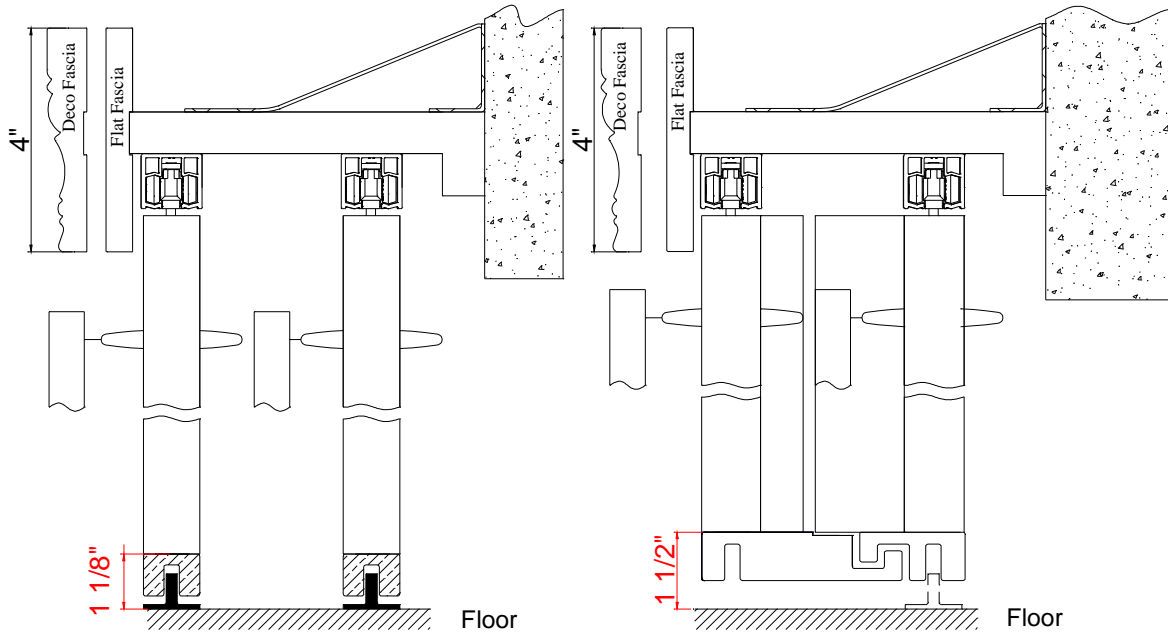
3" / 3 1/2" Louver



Track Shutters—Bypass



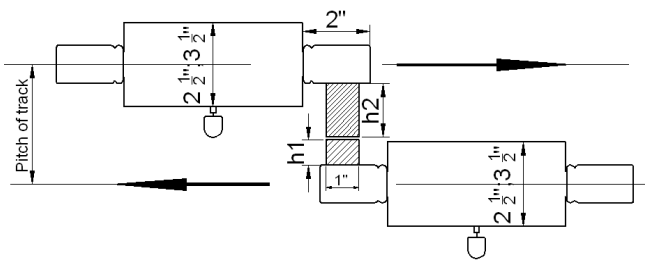
Open By Pass: has 2 kinds of bottom guide



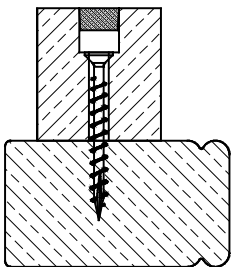
Default Bottom Guide

Optional Interlocking Bottom Guide

Opened Bypass (Top View)



Note: The light block for open bypass will be changed to use screws with wood plugs instead of current dowels.



Separation of track

Louver	U shape bottom guide		Interlocking bottom guide	
	Regular Tilt Rod	Invisible tilt	Regular Tilt Rod	Invisible tilt
2.5"	3 9/16"	2 3/4"	3 9/16"	3 9/16"
3" / 3.5"	4 1/2"	3 5/8"	4 1/2"	4 1/2"

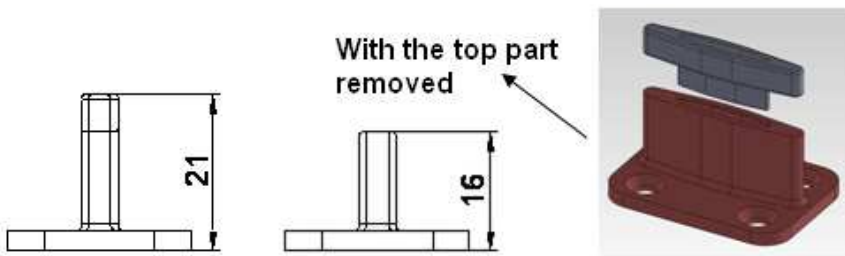
Track Shutters—Bypass



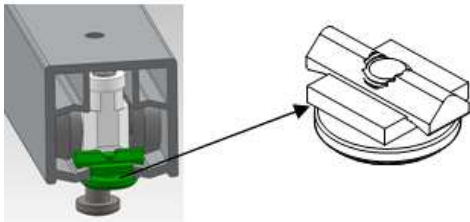
Light block thickness for panel

Louver		U shape bottom guide		Interlocking bottom guide	
		Regular Tilt Rod	Invisible tilt	Regular Tilt Rod	Invisible tilt
2.5"	h1	3/4"	3/4"	3/4"	1 9/16"
	h2	1 9/16"	3/4"	1 9/16"	3/4"
3" / 3.5"	h1	1 3/16"	1 3/16"	1 3/16"	1 15/16"
	h2	1 15/16"	1 3/16"	1 15/16"	1 3/16"

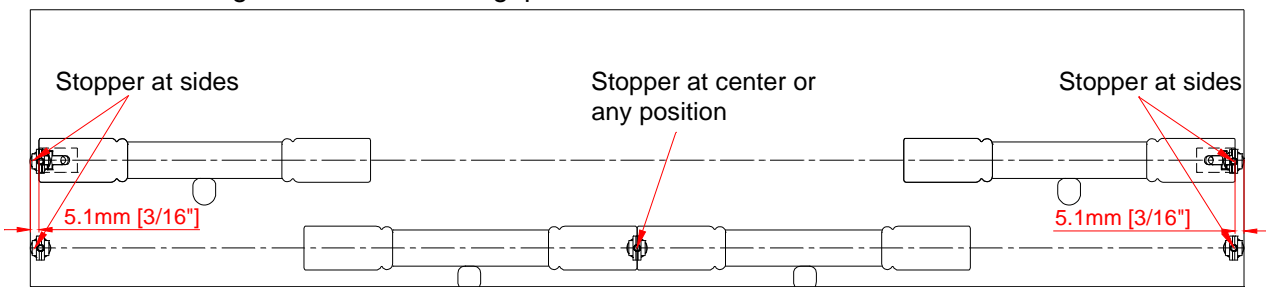
Nylon Guide: The nylon guide is composed by 2 parts and will be supplied as a whole set by default (bottom part 16mm and top part 5mm), please remove the top part if necessary.



The 2016 Stopper



For outside mount/semi-inside mount bypass without side boards, the 2016 Stopper will be supplied by default. The gap between the fascia return / end of top track and the panel is 5mm each side. The 2016 stopper can also be used in the center or any position of the top track as an option. Please see drawing below to show the gap.



Track Shutters—Bypass



Track Shutters Framing Materials

Framing	Size				Pc(s)
L Shape Header	Header (Closed Bypass)	Header (Opened Bypass)	Supporting Strip		1 pc
(2 in 1)	$\frac{3}{4}$ " x $5\frac{1}{2}$ "* (Default for Outside Mount; Optional for Semi-Inside and Inside Mount)	$\frac{3}{4}$ " x $6\frac{1}{4}$ "* ($2\frac{1}{2}$ " Louver)	$\frac{3}{4}$ " x $\frac{3}{4}$ "		
Header with Supporting Strip	$\frac{3}{4}$ " x $4\frac{1}{2}$ "* (Default for Semi-Inside and Inside Mount; Optional for Outside Mount)	$\frac{3}{4}$ " x $7\frac{13}{16}$ "* ($3\frac{1}{2}$ " Louver)			
	Custom * ≤ 8 "	Custom * ≤ 8 "			
U Shape Side Frame	Side Frame (Closed Bypass)	Side Frame (Opened Bypass)	Supporting Strip	Side Fascia	2 pcs
(3 in 1)	$\frac{3}{4}$ " x $5\frac{7}{8}$ "* (Default for Outside Mount; Optional for Semi-Inside and Inside Mount)	$\frac{3}{4}$ " x $6\frac{5}{8}$ "* ($2\frac{1}{2}$ " Louver)	$\frac{3}{4}$ " x $\frac{3}{4}$ "	$\frac{3}{8}$ " x $1\frac{1}{4}$ "	
Side Frame with Supporting Strip & Side Fascia	$\frac{3}{4}$ " x $4\frac{7}{8}$ "* (Default for Semi-Inside and Inside Mount; Optional for Outside Mount)	$\frac{3}{4}$ " x $8\frac{1}{4}$ "* ($3\frac{1}{2}$ " Louver)			
	Custom * ≤ 8 "	Custom * ≤ 8 "			
Top Fascia (Plain/Deco)	4" (Semi-inside and Outside Mount)				1 pc
	$\frac{1}{2}$ " x $2\frac{1}{2}$ " (Inside Mount)				
Top Fascia Return	4" (Semi-inside and Outside Mount)				2 pcs
	N/A (Inside Mount)				

Note:

- When the header size is $4\frac{1}{2}$ "*, $5\frac{1}{2}$ "*, $6\frac{1}{4}$ "* or $7\frac{13}{16}$ "*, the L Shape header and the U Shape Side Frame will be sent integrally. That is:
 1. The header and the supporting strip will be sent integrally as L Shape Header;
 2. The side frame, supporting strip and the side fascia will be sent integrally as U Shape Side Frame.
- For any custom header sizes other than $4\frac{1}{2}$ "*, $5\frac{1}{2}$ "*, $6\frac{1}{4}$ "* or $7\frac{13}{16}$ "*, the L Shape Header and the U Shape Side Frame will be sent separately. That is:
 1. The header and the supporting strip will be sent separately for L Shape Header;
 2. The side frame, supporting strip and the side fascia will be sent separately for U Shape Side Frame.

Track Shutters—Bypass



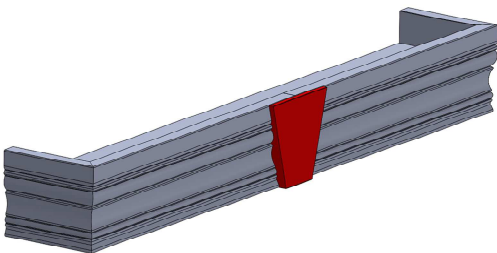
Hardware Box
Part
Wrench
Nylon Guide
3/4 " screws for Nylon Guide
Support L Bracket (based on the length of header)
2 1/2 " screws for support L bracket
3/4 " screws for support L bracket

Keystone for Fascia of the Track Shutter

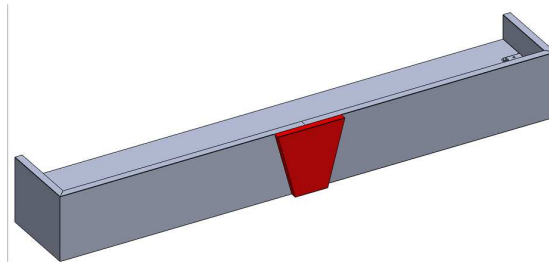
When fascia length exceeds the limitation and needs to split, keystone design fascia will be supplied without surcharge for track shutters.

For fascia length within the split limitation, keystone can also be supplied as an option with surcharge.

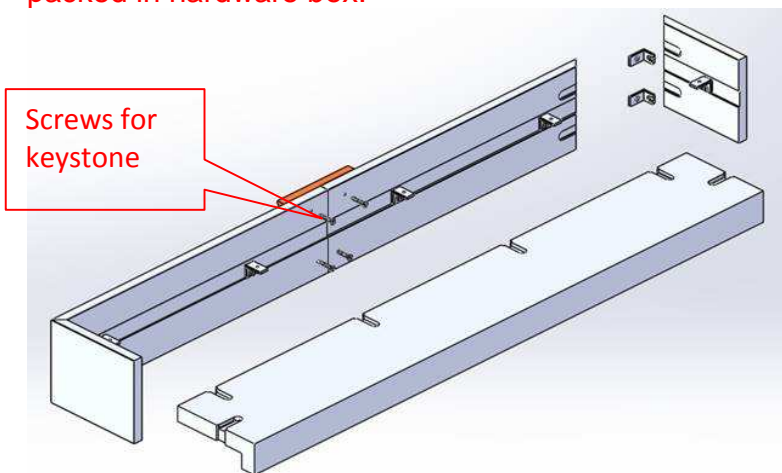
For Deco Fascia:



For Plain Fascia:



The keystone will be installed by screws. We will pre-drill the screw holes and the screws will be packed in hardware box.



Track Shutters—Bypass

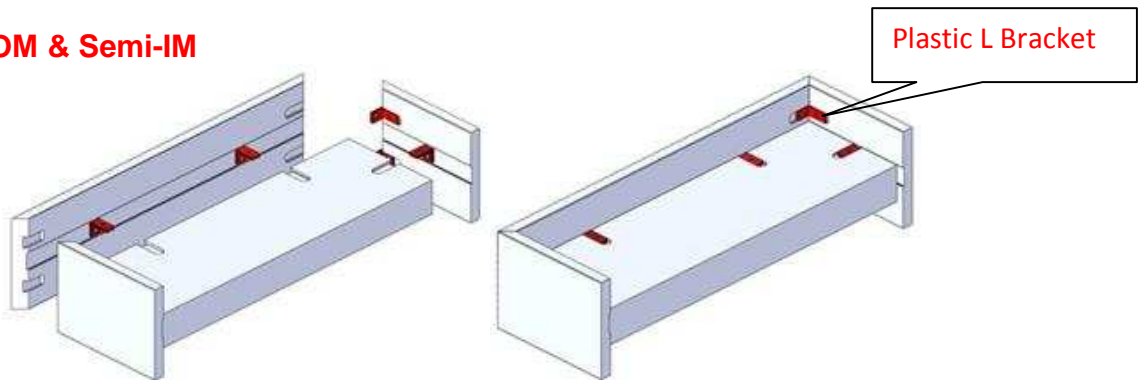


Plastic L Bracket to Connect the Header, Fascia & Fascia Returns

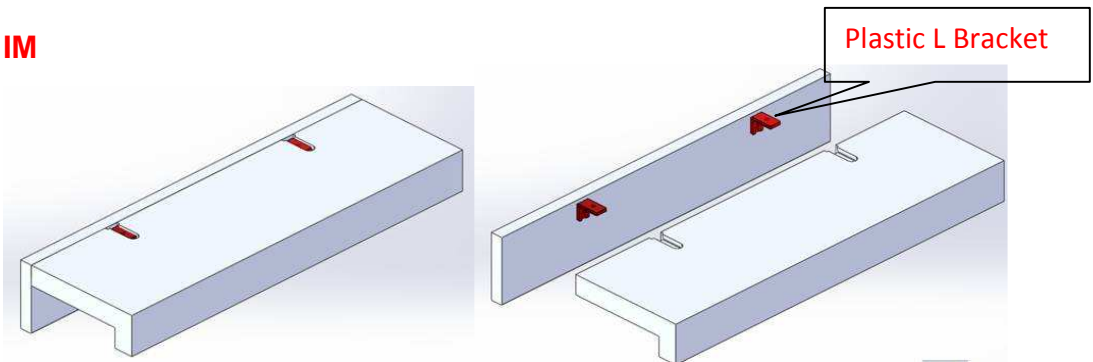


L Bracket will be used to connect the header, fascia and fascia returns for Bypass shutter. This applies for Inside Mount, Semi-Inside Mount & Outside Mount.

OM & Semi-IM



IM

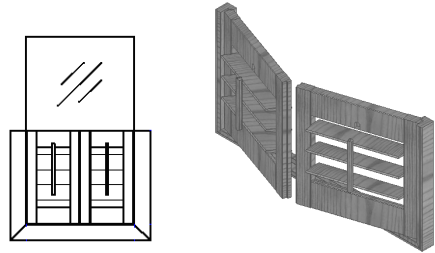


Woodlore® Shutters

Special Options

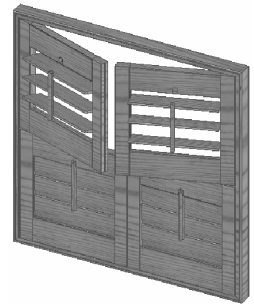
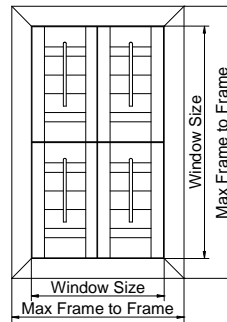
Café Shutters*

- The top of the panel requires a special finish. Please indicate “café shutter” when placing orders.
- The shutter does not come with recessed magnet on top.
- When the height of the framing material (including t-posts) exceeds the panel height, by more than 5", a surcharge will apply.

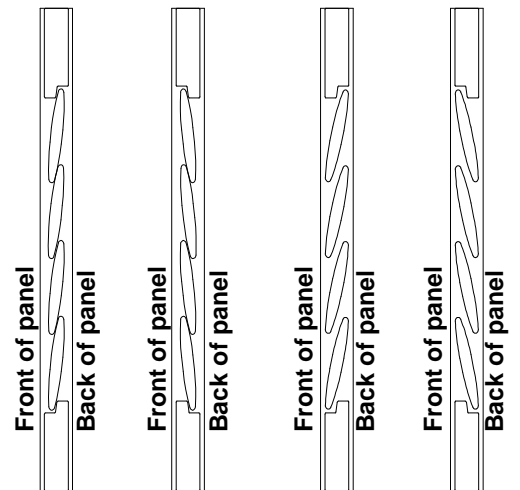
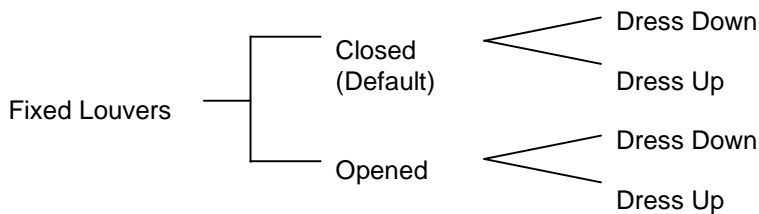


Double-Hung Shutters*

- For total number of panels, please include panels in both rows.
- Bifold panel is not available under this option.
- For panel configuration, please provide panel fold for one row.
- The default location for the division point is the center unless specified otherwise.
- Horizontal T Post* can be added for increased structural integrity.
- Warranty needs to be waived for the horizontal T post length exceeds 48".



Fixed Louvers



*Some surcharges apply



Pricing

1) By Max Frame-to-Frame Measurement:						
Regular Shutter						
Inside and Outside Mount	Width	x	Height	/ 144	x	\$/sq ft
Track Shutter**						
Inside	Width	x	Height	/ 144	x	\$/sq ft
Semi-Inside and Outside Mount	Width	x	(Height-1½")	/ 144	x	\$/sq ft
2) By Net Panel Measurement:						
	Width	x	Height	/ 144	x	\$/sq ft
3) By Window Size:						
2" Camber Deco Frame 2" Classic Deco Frame	4-sided	(Width+4")	x	(Height+4")	/ 144	x \$/sq ft
	3-sided with Sill Plate	(Width+4")	x	(Height+4")	/ 144	x \$/sq ft
	3-sided	(Width+4")	x	(Height+2")	/ 144	x \$/sq ft
	2 sided with Sill Plate	(Width+4")	x	(Height+2")	/ 144	x \$/sq ft
	2-sided	(Width+4")	x	(Height)	/ 144	x \$/sq ft
3" Ridge Deco Frame	4-sided	(Width+6")	x	(Height+6")	/ 144	x \$/sq ft
	3-sided with Sill Plate	(Width+6")	x	(Height+6")	/ 144	x \$/sq ft
	3-sided	(Width+6")	x	(Height+3")	/ 144	x \$/sq ft
	2-sided with Sill Plate	(Width+6")	x	(Height+3")	/ 144	x \$/sq ft
	2-sided	(Width+6")	x	(Height)	/ 144	x \$/sq ft
2.5" Mission deco frame	4-sided	(Width+5")	x	(Height+5")	/ 144	x \$/sq ft
	3-sided	(Width+5")	x	(Height+2.5")	/ 144	x \$/sq ft
	2-sided	(Width+5")	x	(Height)	/ 144	x \$/sq ft
3" Crown Z Frame	4-sided	(Width+4 ½")	x	(Height+4½")	/ 144	x \$/sq ft
	3-sided with Sill Plate	(Width+4 ½")	x	(Height+4½")	/ 144	x \$/sq ft
	3-sided	(Width+4 ½")	x	(Height+2¼")	/ 144	x \$/sq ft
	2-sided with Sill Plate	(Width+4 ½")	x	(Height+2¼")	/ 144	x \$/sq ft
	2-sided	(Width+4 ½")	x	(Height)	/ 144	x \$/sq ft

Woodlore® Shutters

Pricing

2" Bel Air Z Frame 2" Bullnose Z Frame	4-sided	(Width+2 ½")	x	(Height+2½")	/ 144	x	\$/sq ft
	3-sided with Sill Plate	(Width+2 ½")	x	(Height+2½")	/ 144	x	\$/sq ft
	3-sided	(Width+2 ½")	x	(Height+1 ¼")	/ 144	x	\$/sq ft
	2-sided with Sill Plate	(Width+2 ½")	x	(Height+1 ¼")	/ 144	x	\$/sq ft
	2-sided	(Width+2 ½")	x	(Height)	/ 144	x	\$/sq ft
1.5" Bullnose Z Frame 1 ¼ " Beaded Z Frame/ Bullnose Tilt Out Z Frame	4-sided	(Width+2")	x	(Height+2")	/ 144	x	\$/sq ft
	3-sided with Sill Plate (N/A w/ Tilt out Z)	(Width+2")	x	(Height+2")	/ 144	x	\$/sq ft
	3-sided	(Width+2")	x	(Height+1")	/ 144	x	\$/sq ft
	2-sided with Sill Plate (N/A w/ Tilt out Z)	(Width+2")	X	(Height+1")	/ 144	X	\$/sq ft
	2-sided	(Width+2")	x	(Height)	/ 144	x	\$/sq ft
Vintage Hang Strip	Inside	Width	x	Height	/ 144	x	\$/sq ft
	Outside 4-sided	(Width+3")	x	(Height+3")	/ 144	x	\$/sq ft
	Outside 3-sided	(Width+3")	x	(Height+1½")	/ 144	x	\$/sq ft
	Outside 2-sided	(Width+3")	x	(Height)	/ 144	x	\$/sq ft
Vintage L Frame Beaded L Frame	Outside 4-sided	(Width+3")	x	(Height+3")	/ 144	x	\$/sq ft
	Outside 3-sided	(Width+3")	x	(Height+1½")	/ 144	x	\$/sq ft
	Outside 2-sided	(Width+3")	x	(Height)	/ 144	x	\$/sq ft
Track Shutter**							
Inside and Semi-Inside Mount		Width	x	Height	/144	x	\$/sq ft
Outside Mount		(Width+3")	x	(Height+3")	/144	x	\$/sq ft