

Radio Interface Cable

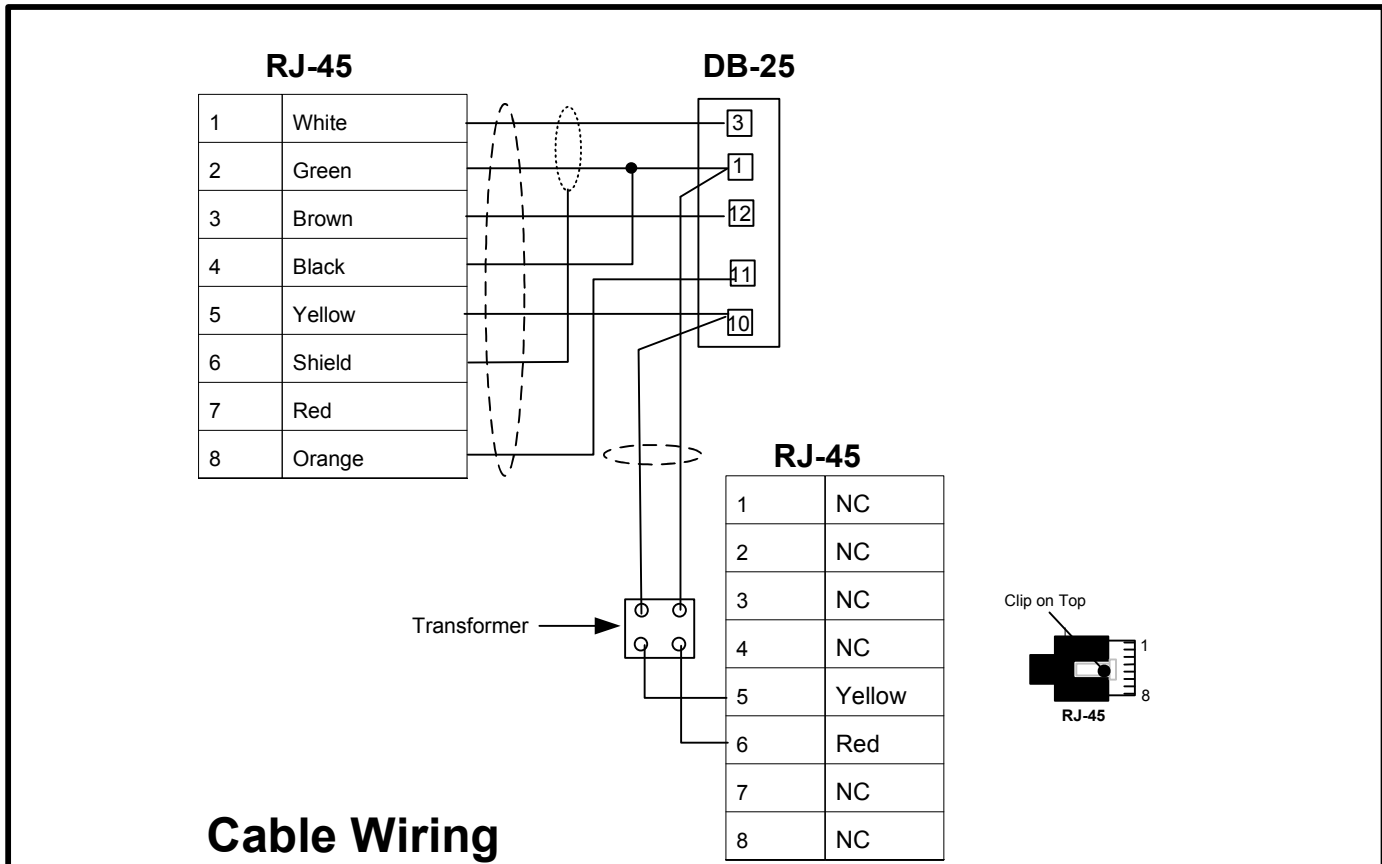
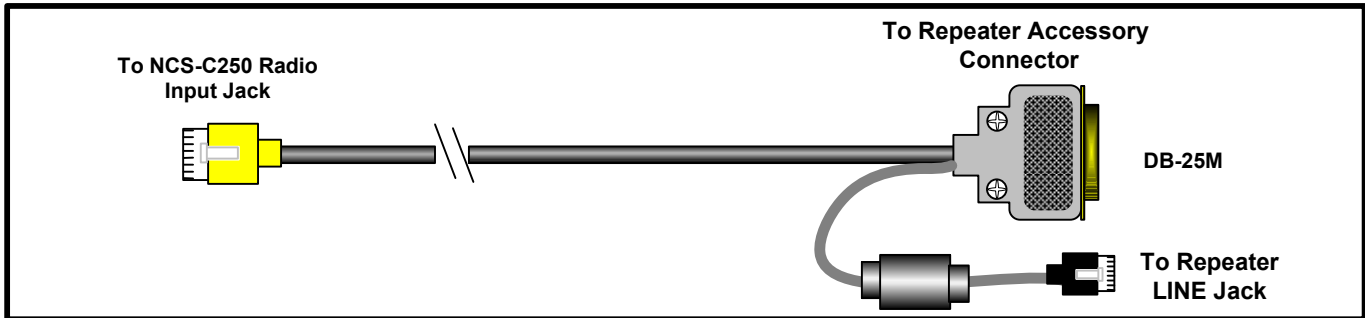
For NCS-C250 Mobile Multi-Switcher

NCS Model Number

NCS-250-VHA-XX

Compatible Radios:

VXR-7000



Notes:

1. The COR output can be programmed using the CE-27 radio programming software to output a signal when the receiver squelch is opened or when a proper matching CTCSS or DCS tone is received. See the VXR-7000 Operating Manual on how to enable Multi-Tone Operation.
2. The **LOCAL/REMOTE** switch should be set to **REMOTE** AND the **BASE/REPEATER** switch should be set to **REPEATER** for proper operation with the NCS-C150/C151 or NCS-C250.