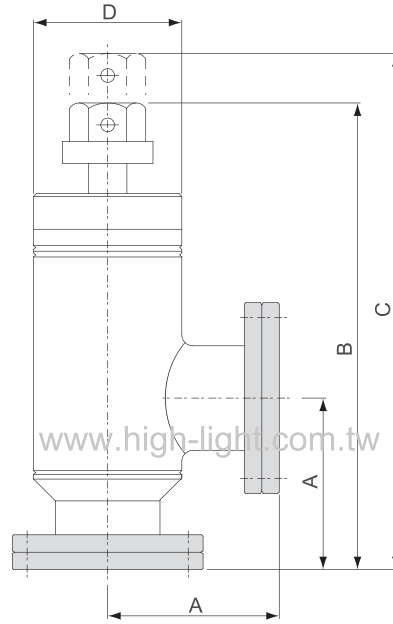


## Bakeable All-Metal Valve

### Angle Valve



Model No.	O.D.	A	B	C	D	Parts No.
AVBAK-CR16	19.05	38.1	121.2	131	38.1	300509030011
AVBAK-CR35	38.1	62.5	170	187	54	300513030011
AVBAK-CR63	63.5	105	266	294	76.2	300515030011

### Specifications

- Temperature operating range:  
Bakeable to :400°C(open), 300°C(close).  
Cryogenic to:-200 °C
- Pressure Range :  $1 \times 10^{-10}$  torr ~ 760 torr
- All stainless steel construction.
- Bellows stem seal.
- Leak Rate :  $10^{-10}$  mbar-l/sec.
- Closure Torque : CR16 First 150kg-cm, Maximum 250kg-cm.  
CR35 First 300kg-cm, Maximum 600kg-cm.  
CR63 First 300kg-cm,Maximum 900 kg-cm
- Orientation : Any position.