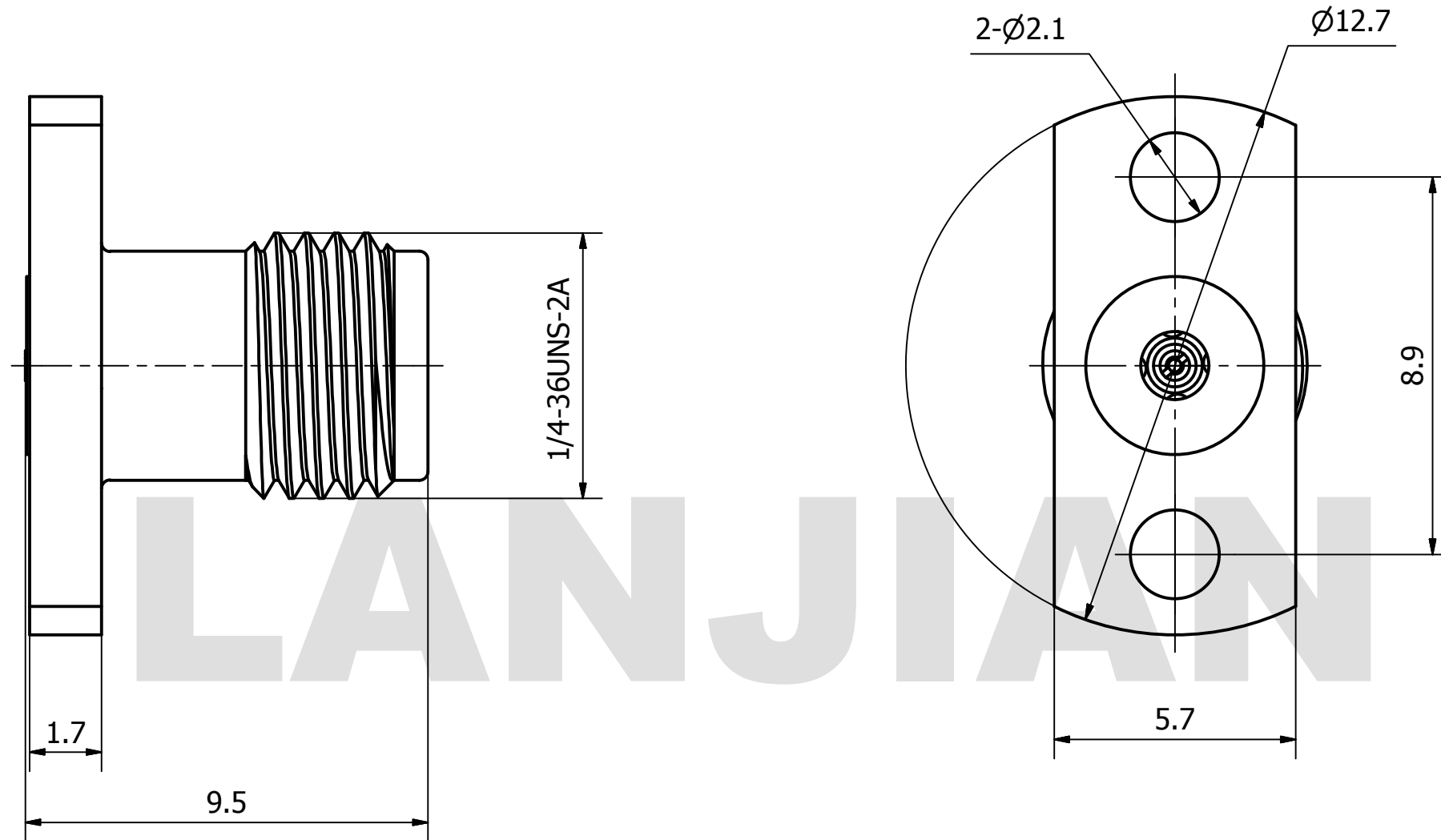


PRODUCT DATA SHEET



MATERIAL:
 BODY: STAINLESS STEEL PER AMS-5640,
 JACK: BERYLLIUM COPPER PER ASTM B196.
 INSULATOR: PEEK

PERFORMANCE:
 IMPEDANCE: 50 OHMS
 FREQUENCY: DC TO 40 GHz
 VSWR: ≤1.30

ALLOY NO. UNS C17300

THIS DOCUMENT CONTAINS CONFIDENTIAL AND PROPRIETARY INFORMATION THAT CANNOT BE REPRODUCED OR DIVULGED, IN WHOLE OR IN PART, WITHOUT WRITTEN AUTHORIZATION FROM "LANJIAN ELECTRONICS"	MATERIAL :			LANJIAN ELECTRONICS	
	UNLESS OTHERWISE SPECIFIED: DIMENSIONS IN MM				
	TOLERANCES :			38 Hengtong Road, Xinqu Dingmao Zhenjiang, 212009, Jiangsu, P. R. China	
	X.X	±0.20	ANGULAR : ±1°		
	X.XX	±0.10	FILLETS R/C : ±0.10		
	X.XXX	±0.01	SURFACE FINISH : Ra 1.6	DEBURR AND BREAK SHARP EDGES	
		NAME	DATE	SIGNATURE	2.9200087/1145-4 straight jack microstrip connector
	DRAWN				
	CHK'D				
	APPV'D				
MFG				DWG No.	REV.
PROJECTION		SIZE	SCALE	GCPZ3.660.C.006	
		A3	7 : 1	DO NOT SCALE THE DRAWING	PAGE 1 / 1