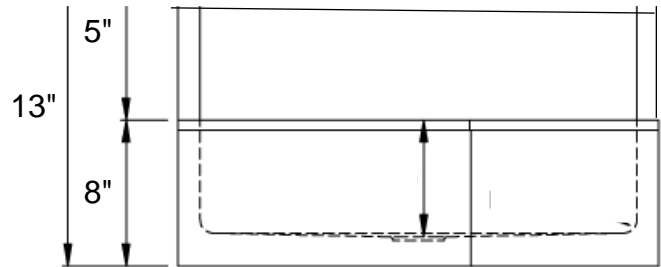
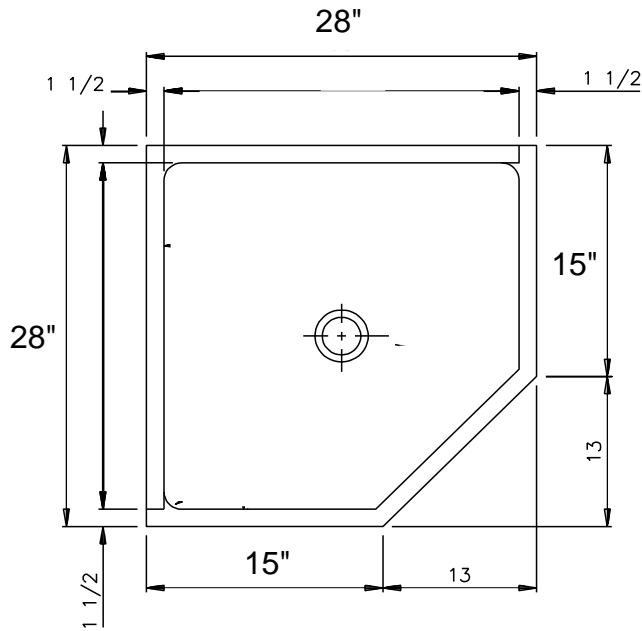


WICKETTS STAINLESS SPECIFICATION

Commercial Mop Sinks



Model Number			
WMS-2828-NEO	28	28	8
Custom			

⚠ WARNING:
This product can expose you to chemicals, which are known to the State of California to cause cancer. For more information, visit www.P65Warnings.ca.gov.

Engineering Specification:

16 gauge, type 304 stainless mop sink. Top 1 1/2" wide top channel rims. Exposed surfaces polished to a #4 satin finish. With lockable grid drain.

WARNING Canr and Reproductive Har.

Wicketts Stainless, LLC.
2618 San Miguel Dr. Bldg. # 376
Newport Beach, CA 92660
Tel: 951-858-2548
Fax: 951-638-9059
sales@wickettsstainless.com
www.wickettsstainless.com



Approved for Manufacturing

Company: _____

Signature: _____

Print: _____ Date: ____/____/____