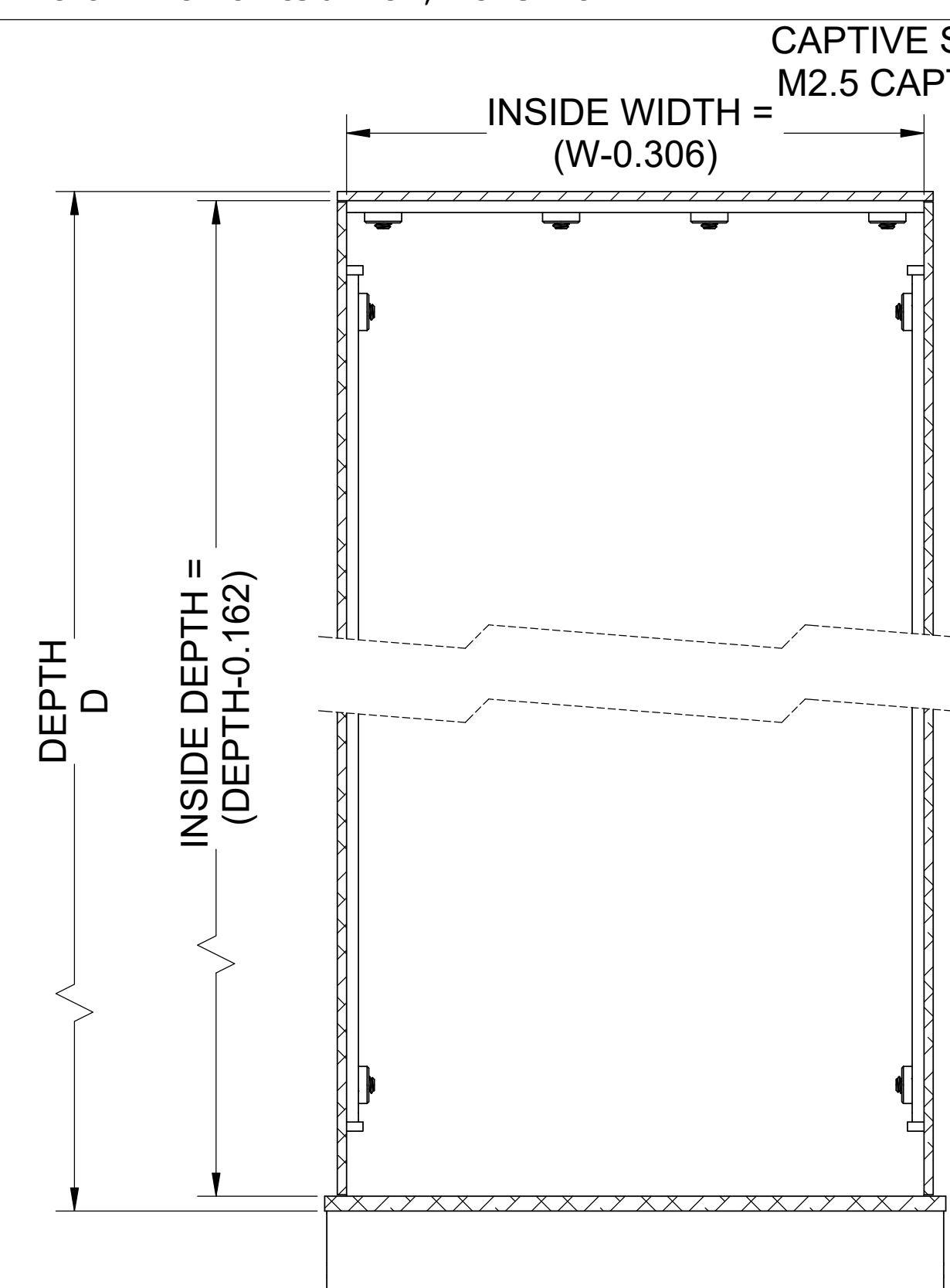
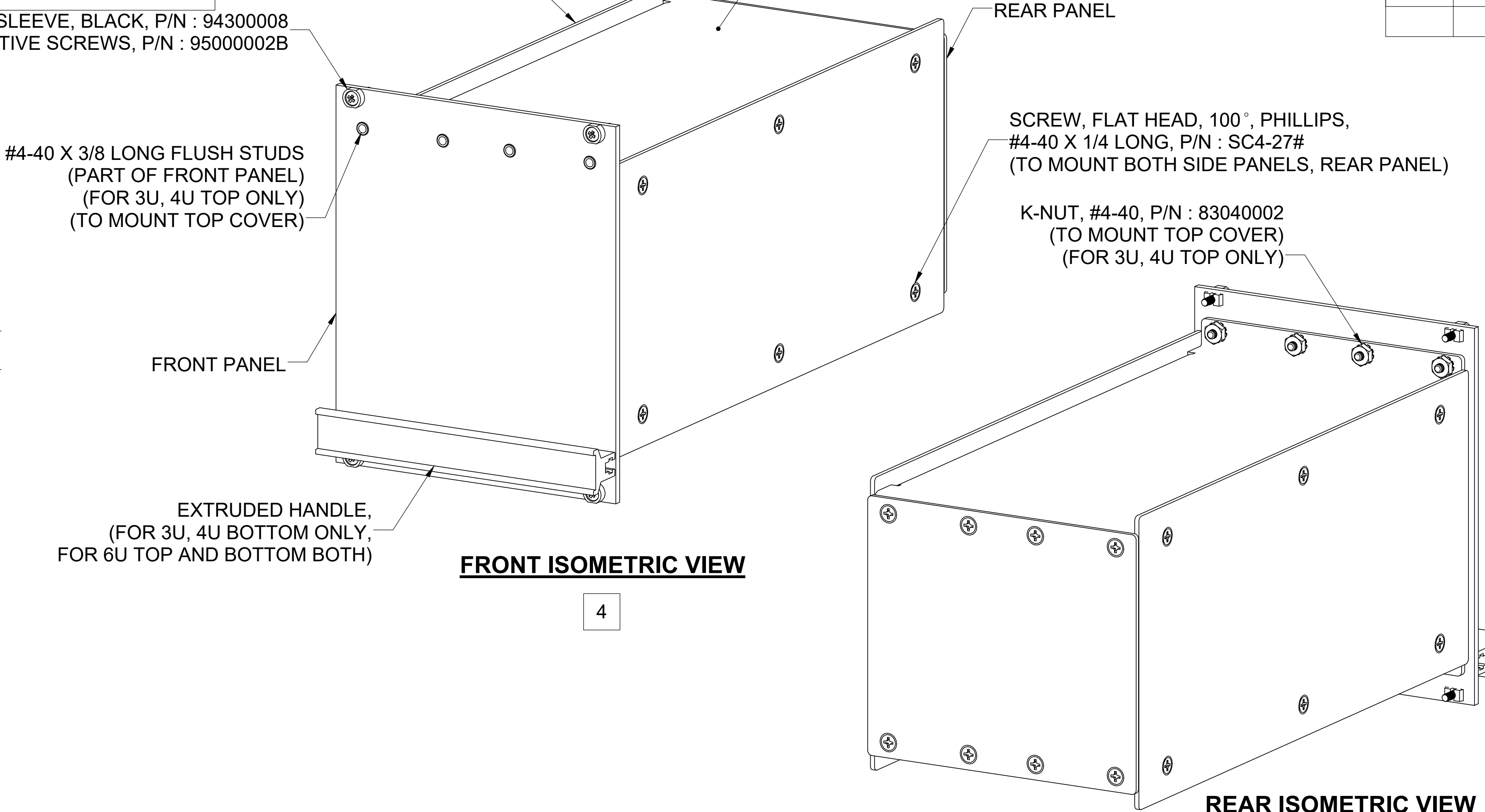


PROPRIETARY AND CONFIDENTIAL
 THE INFORMATION CONTAINED IN THIS DRAWING IS THE SOLE PROPERTY OF VECTOR ELECTRONICS & TECH., INC. ANY REPRODUCTION IN PART OR AS A WHOLE WITHOUT THE WRITTEN PERMISSION OF VECTOR ELECTRONICS & TECH., INC. IS PROHIBITED.

REVISIONS				
ZONE	REV	DESCRIPTION	DATE	APPROVED
ALL	A	INITIAL RELEASE	06/15/10	



SECTION D-D

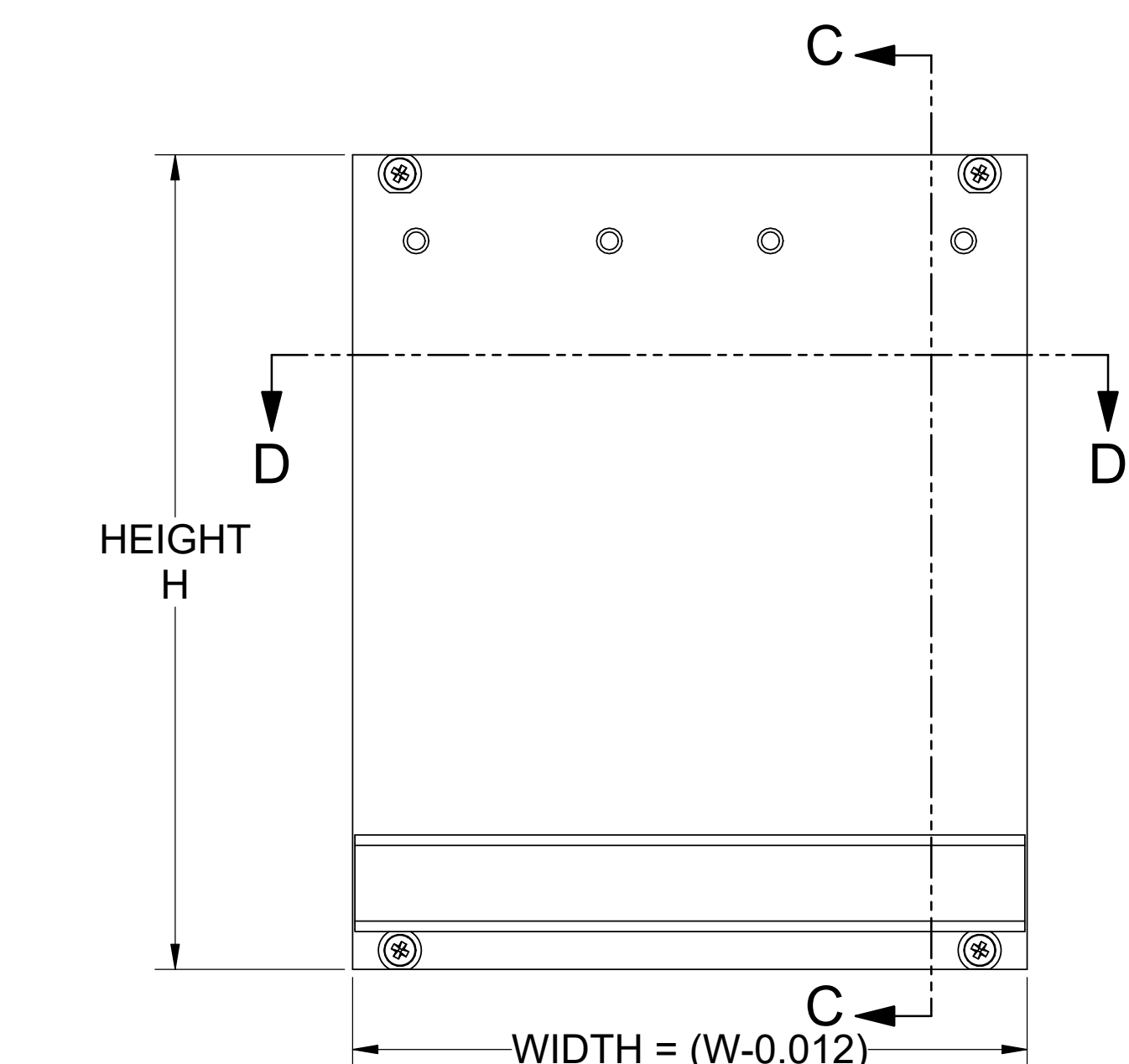


FRONT ISOMETRIC VIEW

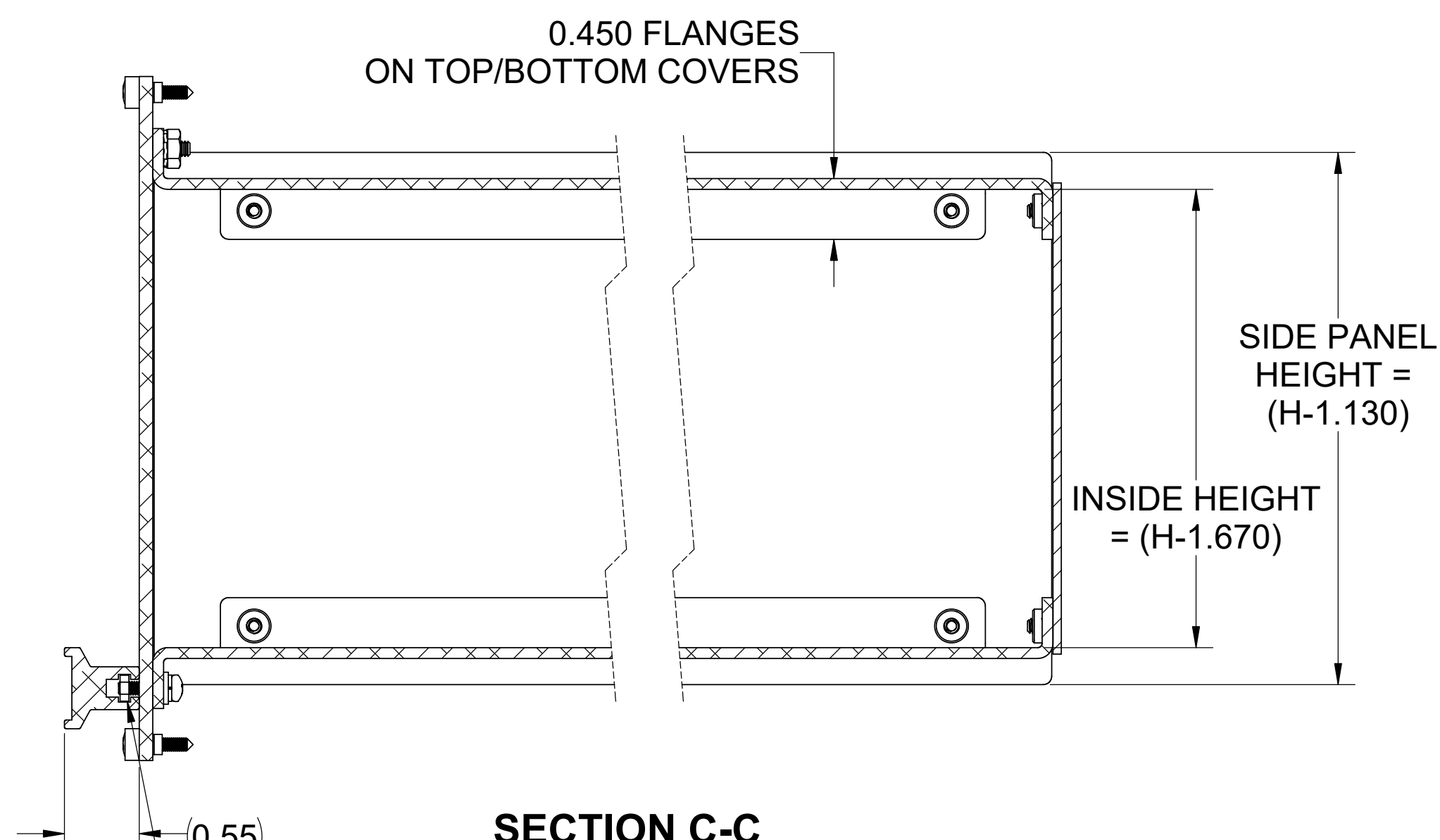
REAR ISOMETRIC VIEW

MODULE HEIGHT	
DESCRIPTION	H
3U MODULE	5.060
4U MODULE	6.810
6U MODULE	10.310

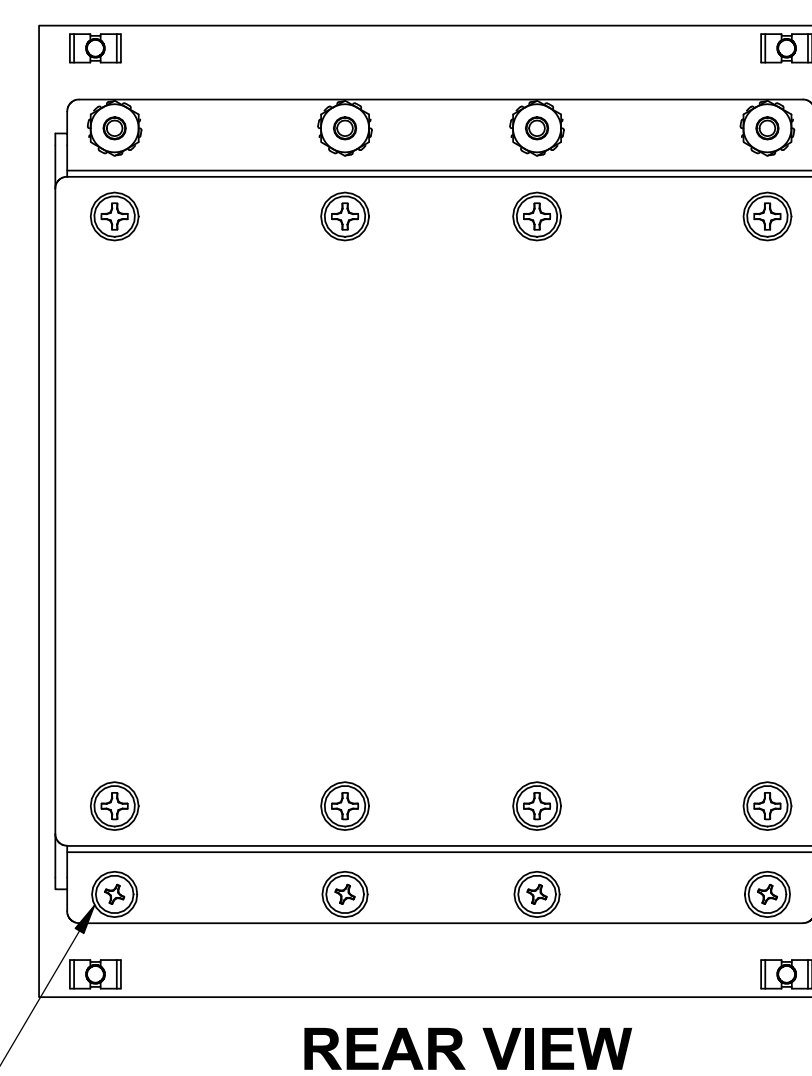
MODULE WIDTH	
DESCRIPTION	W
6HP WIDE	1.200
7HP WIDE	1.400
8HP WIDE	1.600
12HP WIDE	2.400
15HP WIDE	3.000
16HP WIDE	3.200
17HP WIDE	3.400
20HP WIDE	4.000
21HP WIDE	4.200
23HP WIDE	4.600
30HP WIDE	6.000
42HP WIDE	8.400
56HP WIDE	11.200



FRONT VIEW



SECTION C-C



REAR VIEW

4. FURNISHED ASSEMBLED
3. FINISH FOR STEEL PARTS
 ZINC PLATE PER ASTM-B-633, TYPE III
2. FINISH FOR ALUMINUM PARTS
 CLEAR CHEM FILM, IAW MIL-DTL-5541, CLASS 3, TYPE II
1. INTERPRET DRAWING PER ASME Y14.100

NOTES : UNLESS OTHERWISE SPECIFIED

SCREW, PAN HEAD, PHILLIPS,
 M2.5 X 10mm LONG, P/N : 88004800,
 WASHER, FLAT, M2.5, P/N : 84004006,
 WASHER, SPLIT LOCK, #3, P/N : W3-1#
 (TO MOUNT HANDLE)
 (FOR 3U, 4U BOTTOM ONLY,
 FOR 6U TOP AND BOTTOM BOTH)

M2.5 TAPPED NUTSTRIP,
 P/N : 5250270-XX(VARIABLE LENGTH)
 (TO MOUNT HANDLE)

UNLESS OTHERWISE SPECIFIED
 DIMENSIONS ARE IN INCHES
 TOLERANCES:
 DEC X.X ±0.1
 DEC X.XX ±0.03
 DEC X.XXX ±0.010
 FRACTIONS ±0.050
 ANGLES ±1°
 GD & T : ASME Y14.5-2009

APPROVALS	NAME	DATE
DRAWN	TRUSHAR	06/15/10
CHECKED		
ENGINEER		
QA		

THIRD ANGLE PROJECTION

VECTOR ELECTRONICS & TECHNOLOGY, INC. 11115 VANOWEN ST., NORTH HOLLYWOOD, CA 91605 www.vectorelect.com

EMA MODULES

SIZE	DWG. NO.	REV
D	EMA	A
SCALE: 1:1	CAGE CODE: 82893	SHEET 1 OF 1