



Hi-Flex VNA Test Cables with Angled Connector & NMD Options 50GHz & 70GHz Solutions

Optimized Performance for Low VSWR
Superior Stability during Flex
Stainless Steel Connector Interfaces
Swept R/A Constructions Available
1.85mm/2.4mm/2.92mm & NMD
Hi-Flex Light-Armored Construction
Ideal for Dynamic Testing Requirements
Ideal for Probe Testing



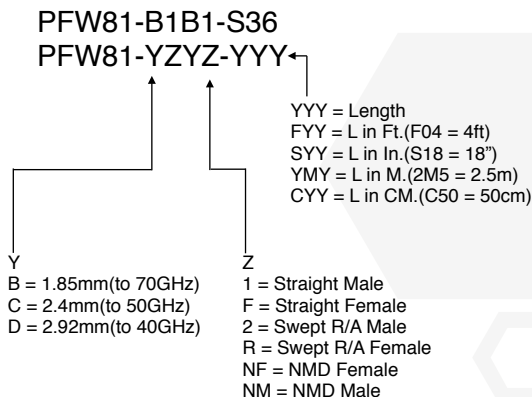
Characteristic	50GHz	70GHz
VSWR _{max}	1.30:1	1.40:1
Cable IL/ft(Max)	1.662dB	2.00dB
Cable IL/M(Max)	5.450dB	6.559dB
Max Power Max Frq	18W	18W
Phase Change	+/- 6Deg.	+/- 8Deg.
Amplitude Stability	+/- 0.10dB	
Minimum Bend	1.000"(25mm)	
Velocity of Prop.	78%	
Capacitance	25.9pF/ft	
Shielding	> 100dB	
Crush Resitance	317lbs.f/in(430N/cm)	
Temp Range	-65 to 125C	

Images for illustration only, Data subject to change. Performance measured at 25C.

ConductRF's updated Hi-Flex VNA Test Cable Series now offers customers a superior solution that supports testing up to 70GHz & continues to ensure maximum handling flexibility along with excellent class leading phase & amplitude stability for Hi-Frequency Testing. Internal flex testing demonstrated results of better than +/- 5Deg & +/-0.05dB respectively over repeated 8 hours flexing cycles.

With a Light Armor internal stainless steel construction along with a soft FEP external cover, and a Nomex weaved covering, this combination provides excellent flexibility and ruggedness and is industry leading in its stability under flexure.

Available connector solution options include 2.4mm for 50GHz or 1.85mm (V connectors) for 70GHz requirements. Swept right angle versions are available offering the same high performance of their straight counterparts in both Male and Female Connector solutions. 2.92mm options are also available for 40GHz options. NMD Head options for direct termination to VNA ruggedized Ports are also available.



Tr1 S11 Refl SWR RefLvl: 1 U Res: 100 mU/Div

