

1

2

3

4

5

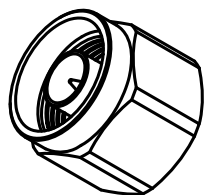
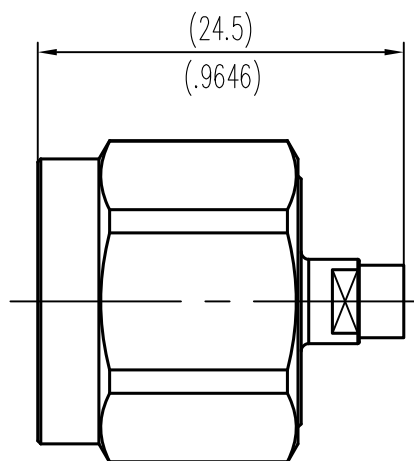
6

TECHNICAL SPECIFICATION

MATERIAL

FINISH

FREQUENCY RANGE	DC~18GHz	Inner conductor	Beryllium copper	Gold
IMPEDANCE	$\geq 5000\text{M}\Omega$	Insulator	PEI	—
OPERATING TEMP	-55℃~+70℃	Body	Stainless steel 303	Passivated
VSWR	≤ 1.25	Nut	Stainless steel 303	Passivated



UNLESS OTHERWISE SPECIFIED

- 1) ALL DIMENSIONS ARE AFTER PLATING.
- 2) BREAK CORNERS & EDGES.005 R. MAX.
- 3) CHAM. 1ST & LAST THREADS.
- 4) SURFACE ROUGHNESS 63 $\sqrt{\text{MIL-STD-10}}$.
- 5) DIA S ON COMMON CENTERS TO BE CONCENTRIC WITHIN .004 T.I.R.
- 6) REMOVE ALL BURRS

DRAWN:

CHECKED:

STANDARDIZATION:

APPROVED:

**LANJIAN ELECTRONICS, INC**

DWG.NO.

N-M32

TITLE:

SIZE 2:1

CAGE CODE:

SHEET 1/1

PROPRIETARY
THE INFORMATION CONTAINED IN THIS DRAWING
IS THE SOLE PROPERTY OF LANJIAN, INC.
WITHOUT THE WRITTEN PERMISSION OF
LANJIAN ELECTRONICS, INC IS PROHIBITED.

1