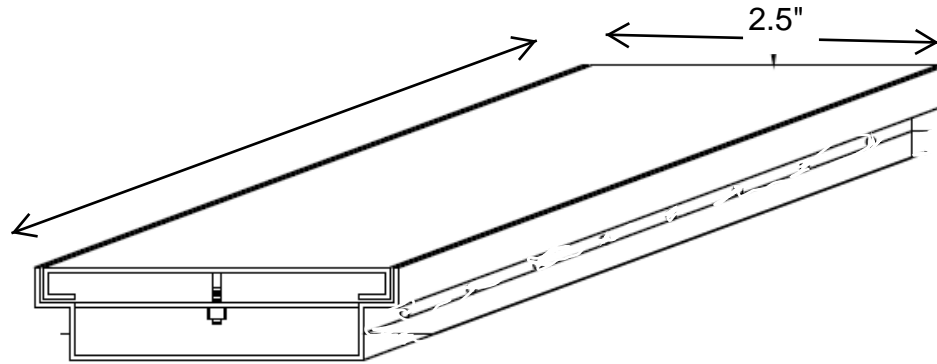
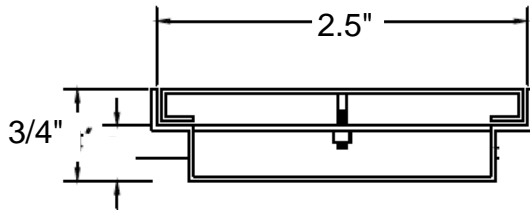
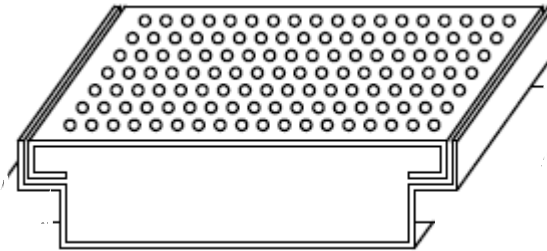


# WICKETTS STAINLESS SPECIFICATION

Stainless Steel Trench Drain  
MT-2.5-SS-PS



PERFORATED GRATE



**Engineering Specification:** 2.5" Wide shallow trench drain. 16 ga. 304 Stainless Steel; Flange; Perforated Heel-Proof Grates; Fully Welded End Caps & Outlets; \* Conforms to ASME A112.6.3

**WICKETTS STAINLESS, LLC**  
2618 San Miguel Dr. Bldg. # 376  
Newport Beach, CA 92660  
(951)-858-2548 PH.  
(951) 638-9059 FAX.  
sales@wickettsstainless.com  
www.wickettsstainless.com



Approved for Manufacturing  
Company: \_\_\_\_\_  
Signature: \_\_\_\_\_  
NON-CANCELLABLE NON-RETURNABLE