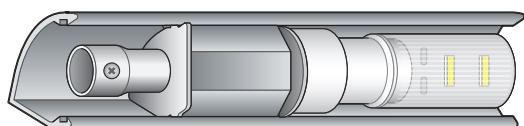
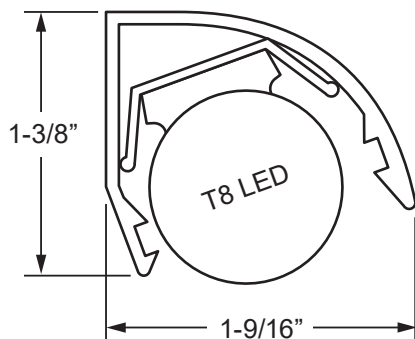


# T8 LED Showcase Reflector

Low profile LED linear display fixture with Internal Driver



LD250 Lamp Shield



LD250 Lamp Shield  
Actual Size

## Specifications

- 100 - 277Vac, 50 - 60 Hz.
- Extruded aluminum shield available in anodized brushed aluminum, brushed gold, brushed black, polished gold, and polished brite anodized.
- All fixtures made to specified length  $\pm 1/32$ ".
- Matching end caps, (optional).
- Available Bulb sizes: 1.5 ft., 2 ft., 3 ft., 4 ft., and 5 ft.
- 2 year warranty.
- Standard 5800K color.
- Installed End Feed connector accepts 3/8" steel flex conduit, 72" long.
- Installed Front Feed connector accepts 1/2" downtube with 3/8" flex conduit, 36" long.
- Mounting accomplished with screw-on rails or fasteners through aluminum shield.
- Wired with 9' primary voltage leads.

**Source:** Showcase Components Inc. (SCI).

**LED Life:** 70% lumen maintenance up to 50,000 Hrs. of continuous power on.

**CCT Tolerance:** +/- 300K defined by ANSI.

**LED's Per Ft. :** 60.0

**Beam Angle:** 120°.



Made in the USA



UL Standard: 1598  
UL File Number: 123228

WATTS/FT.		SURFACE TEMP.	CRI	COLOR TEMP.	LUMENS / FT.
1.5 ft.	8w	28°C + Ambient	82	5800K CCT	360
2 ft.	10w				
3 ft.	15w				
4 ft.	20w				
5 ft.	25w				

MODEL	SIZE	STANDARD FINISHES	FEED TYPE	MATERIAL
LD250	1.5 ft.	CA - Brushed Satin	Straight (End Feed) 90° (Front Feed)	Acrylic Lens with Aluminum Shell
	2 ft.	GA - Brushed Gold		
	3 ft.	BLK - Brushed Black		
	4 ft.	BA - Polished Chrome		
	5 ft.	BG - Polished Brass		



Division of Alumafab Corp.

## Showcase Components Inc.

14335 Iseli Rd. Santa Fe Springs, CA 90670  
sales@ShowcaseComponents.com  
www.ShowcaseComponents.com

(800) 982-5548

(562) 630-6440

Fax: (562) 633-1859