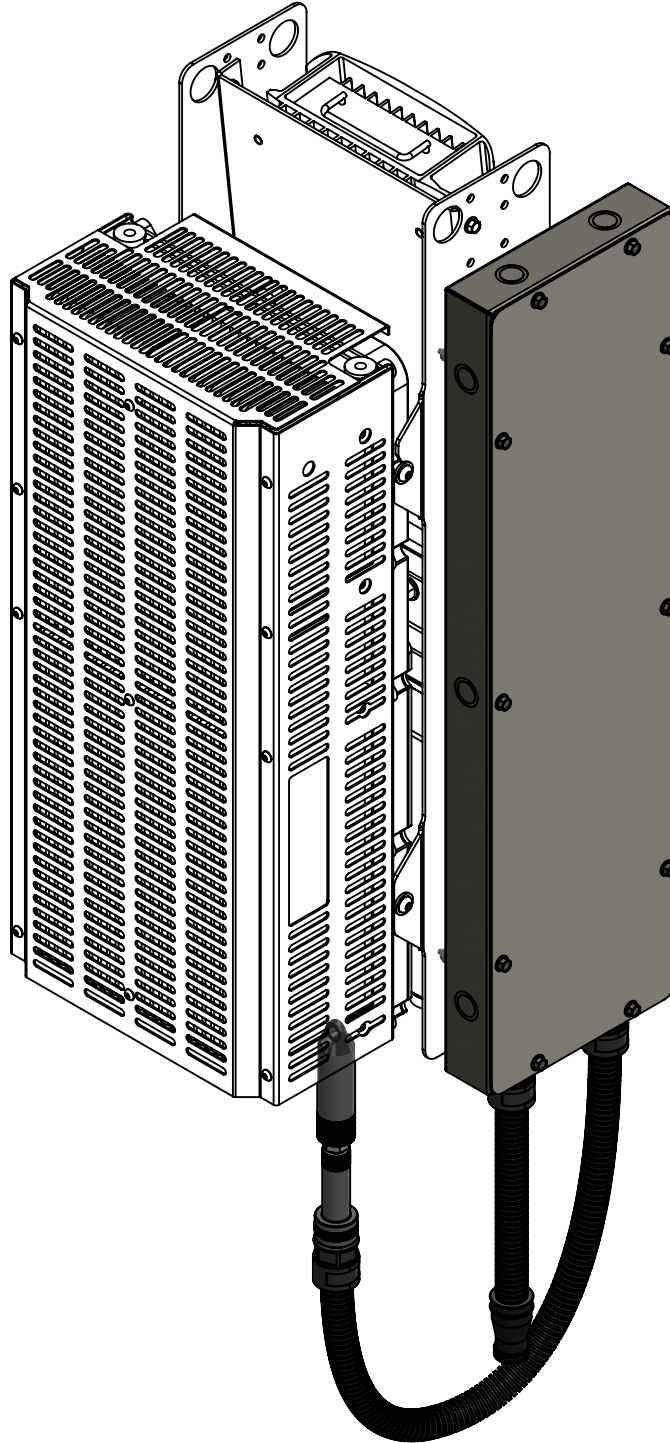




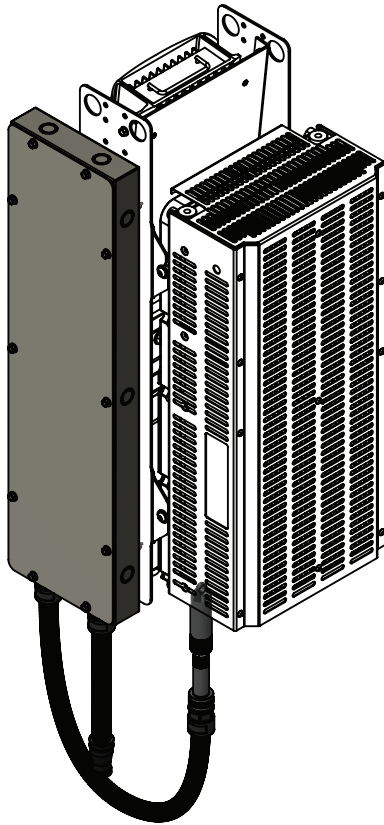
SLACK BOX ASSEMBLY



Wireless Construction, Inc. 40 | Blake Road, Standish ME 04084
www.wcitowers.com

*Contact: Kyle Purington at (207) 642-5751 or kpurington@wcitowers.com

Rev2.0 -61917



SLACK BOX

RRH Bracket Add

Product Features:

- For use with all RRH Brackets
- Compact size
- Diverse mounting applications; both sides of RRH Bracket
- Optional grounding locations
- Kit includes: cover, hardware, sealed gasket, approved Radius fiber reels, and snorkel kit
- Kit allows for: excess fiber to be concealed and weather tight

Product Specifications:

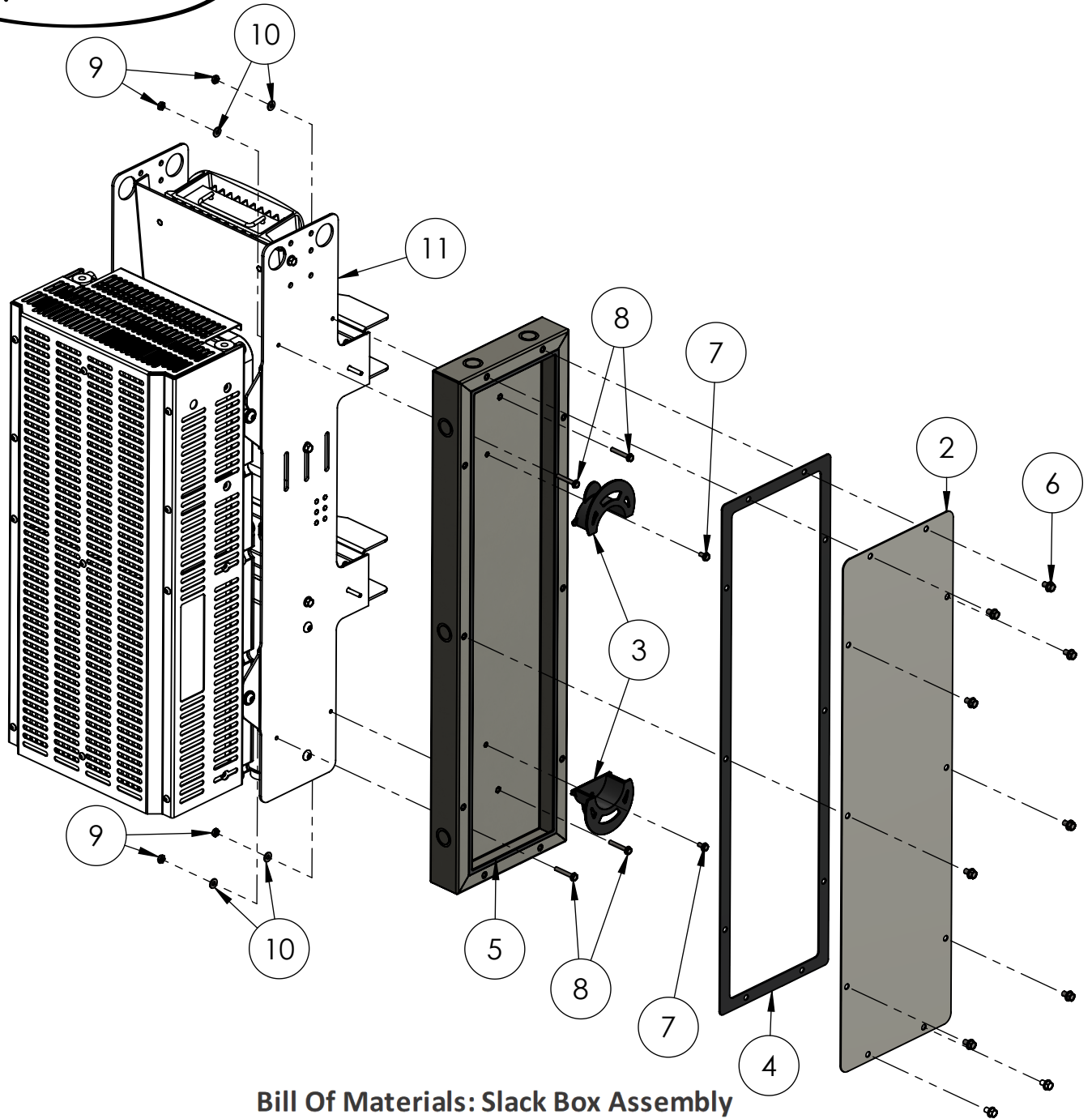
Model No: Slack Box

Dimensions (W x H x D)	30 x 8 x 2 INCHES
Weight	6 lbs
Environment	Aluminum, Weather Resistant
Mount	RRH Brackets - both sides
Construction	Aluminum/ Stainless Steel
Finish	Outdoor Powder Coating/ Natural Color

*Additional information available upon request. Please contact: Kyle Purington at (207)642-5751 or via email: kpurington@wcitowers.com

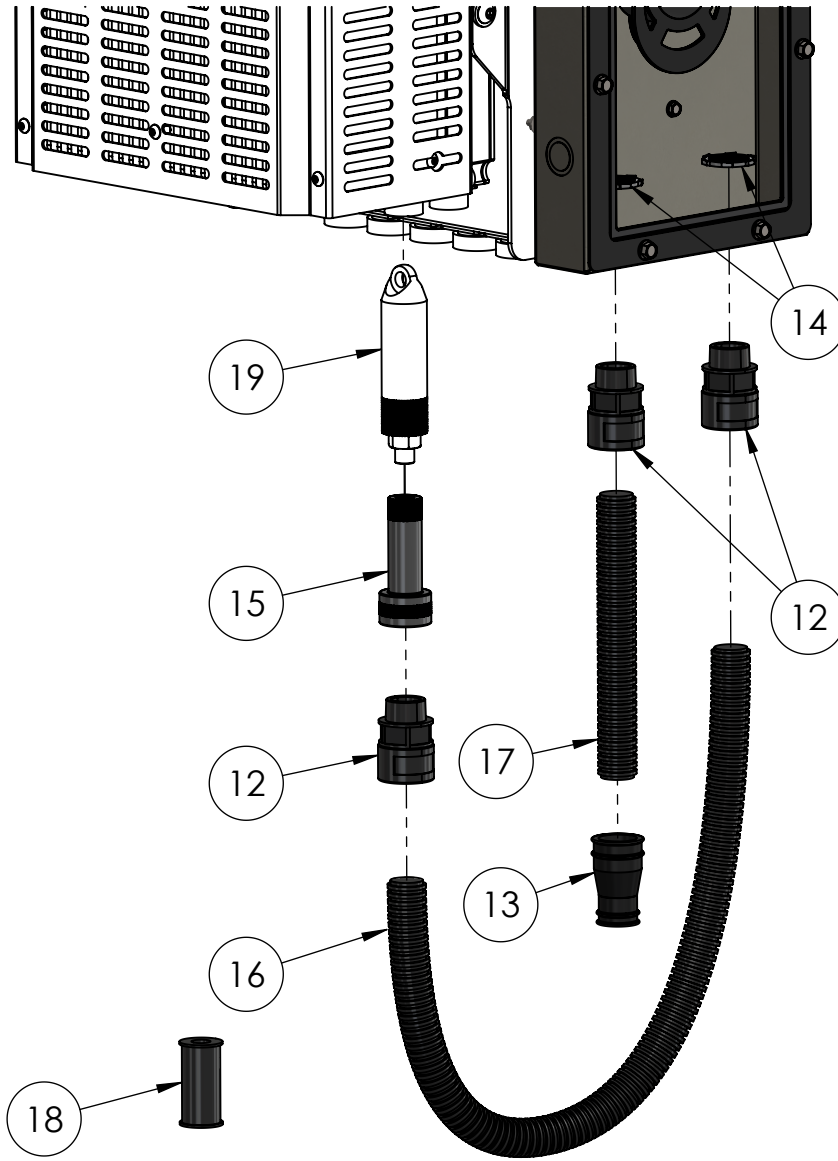


SLACK BOX ASSEMBLY



Bill Of Materials: Slack Box Assembly

Item	Description	Qty
1	Slack Box	1
2	Cover	1
3	PCS-1-4	2
4	Gasket	1
5	BT3-0100-ER-0201	68"
6	1/4-3/8 Flange H-SS	10
7	10-32-3/8 FH-FLH-SS	2
8	10-32-1.25 SEM-SS	4
9	10-32-Lock Nut SS	4
10	10-32-Flat-SS	4
Item	Not Included	Qty
11	Radio Bracket Assembly	1



Bill Of Materials: Snorkel Kit Assembly

Item	Description	Qty
12	PMA conduit connector	3
13	Rubber boot	1
14	3/4" Locknut	2
15	Jones Adapter	1
16	PMA Flex Conduit	32"
17	PMA Flex Conduit	6"
18	Rubber Hanger Grommet	1
Item	Not Included	Qty
19	Short Kit Plug R2CT	1