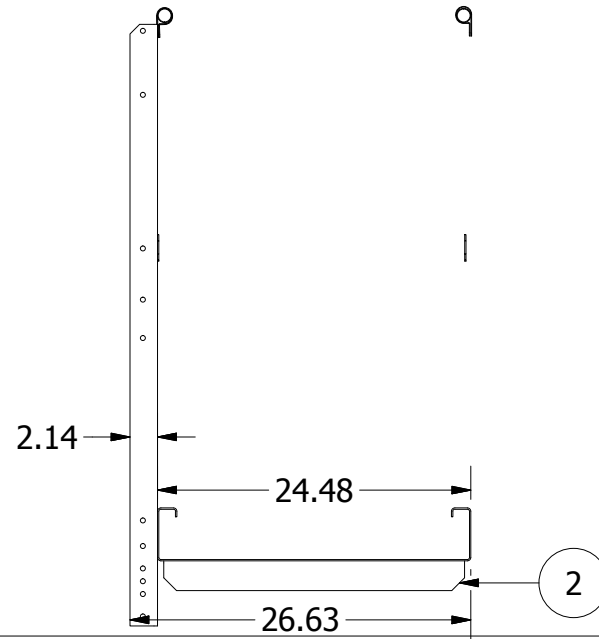
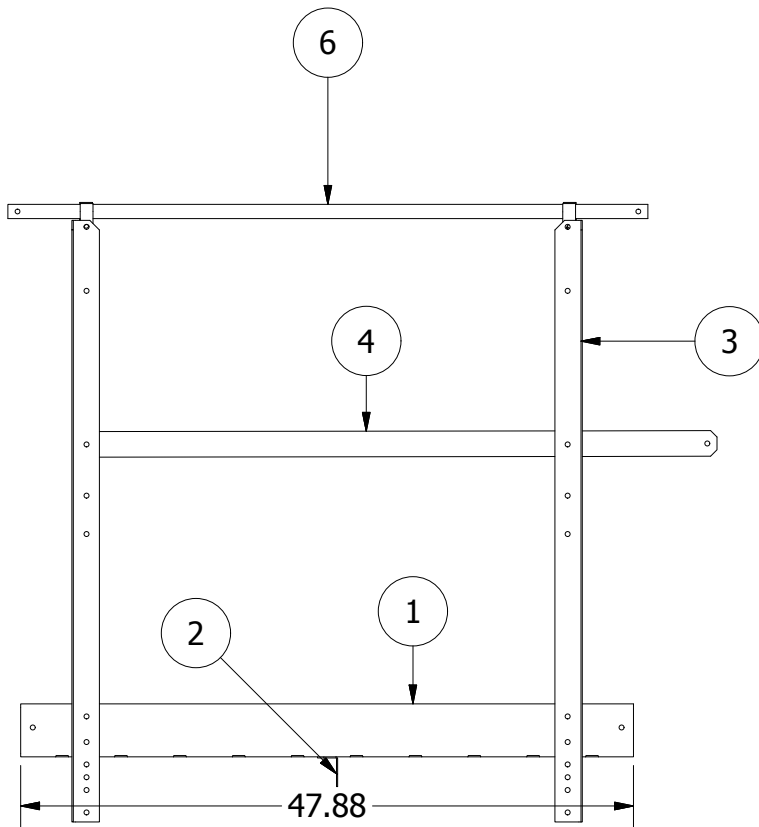
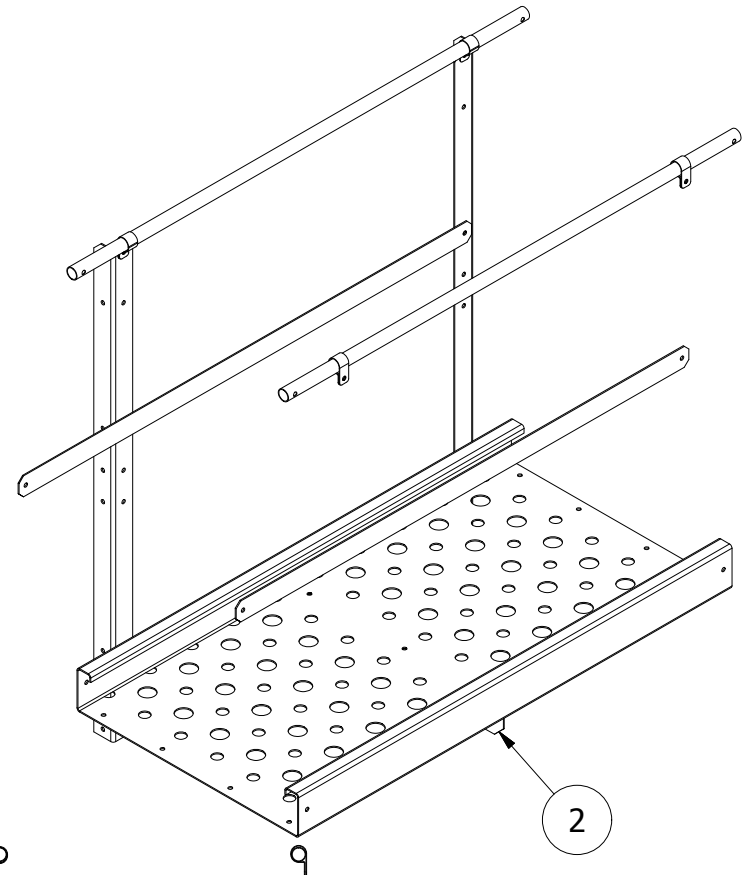
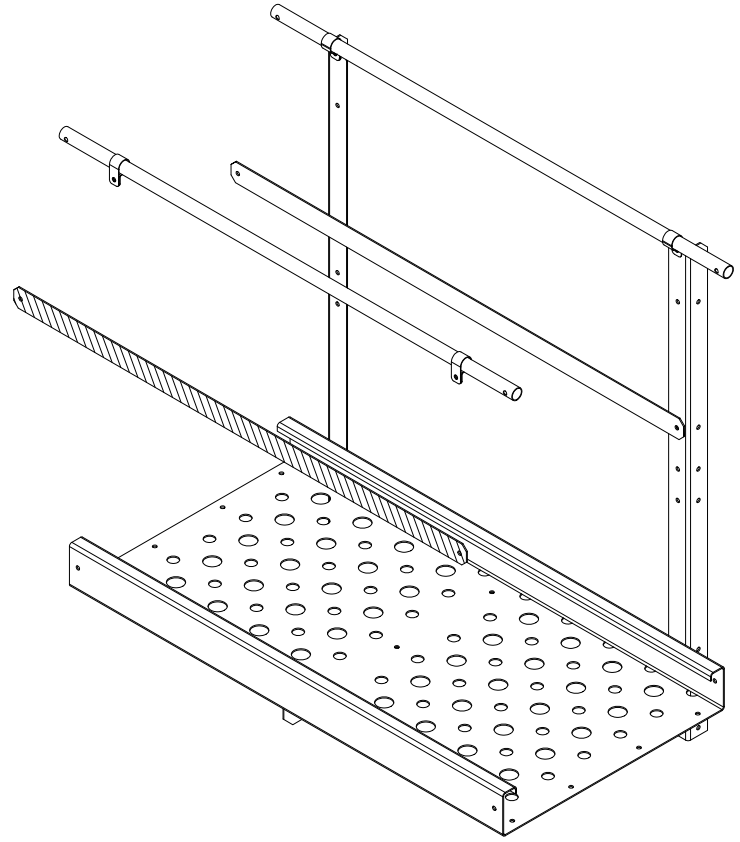


| PARTS LIST | | | |
|------------|-----|----------------------------|--------------------|
| ITEM | QTY | PART NUMBER | DESCRIPTION |
| 1 | 1 | KS-318 walk deck | 48" long walk deck |
| 2 | 1 | KS-319 walk brace | walk brace |
| 3 | 2 | ES-3003A Plat post | 47 x 4 x 12 ga |
| 4 | 2 | ES-3508 plat side int rail | 50 x 2 x 12 ga |
| 5 | 4 | F0708799 handrail clip | |
| 6 | 2 | ES-3506 plat side handrail | 1" id x 50" |



GREENE
GALVANIZED STAIRS
www.greenestairs.com
East Lynn IL 60932
217-375-4244 / 217-375-4245 FAX

| | | |
|---------------------------------------|------------------|--------------|
| DRAWN Mike Adams | DWG NO ES3748 | 11/14/2012 |
| TITLE Twin Platform Filler Package | | |
| SIZE A | DO NOT SCALE REV | SHEET 1 OF 2 |



GREENE
GALVANIZED STAIRS
www.greenebinstairs.com
East Lynn IL 60932
217-375-4244 / 217-375-4245 FAX

| | | |
|---------------------------------------|------------------|--------------|
| DRAWN Mike Adams | | 11/14/2012 |
| TITLE Twin Platform Filler Package | | |
| SIZE A | DWG NO ES3748 | |
| DO NOT SCALE REV | | SHEET 2 OF 2 |