

Specifications

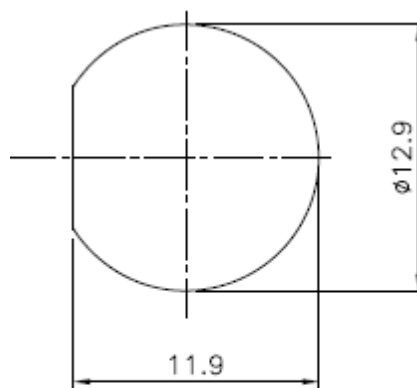
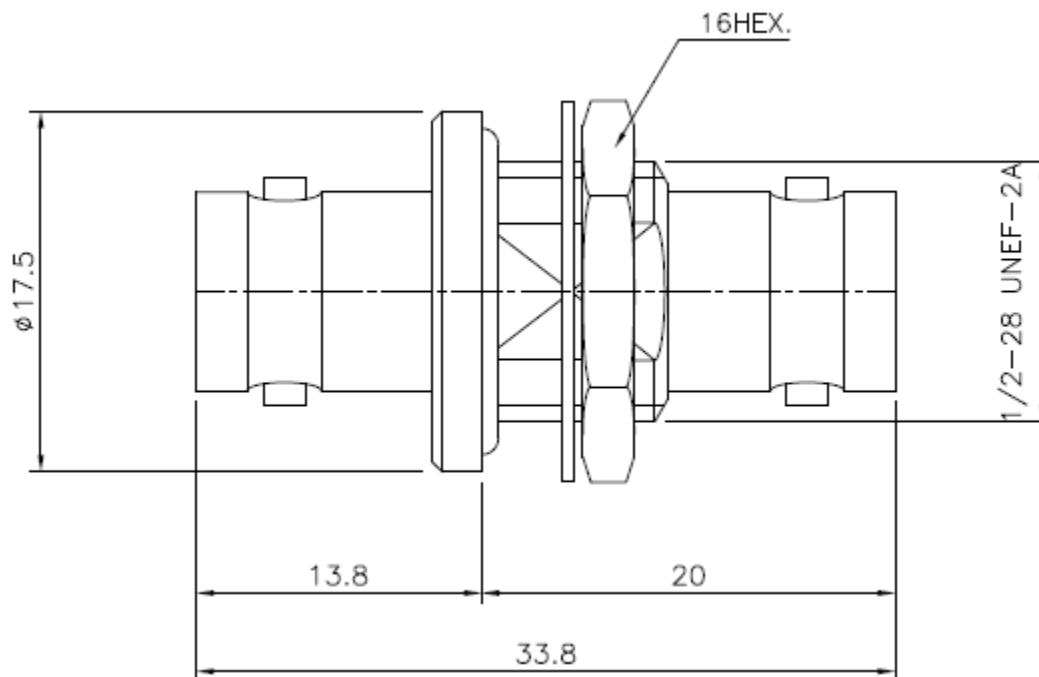
Frequency range: DC-4GHz

Nominal Impedance: 50 Ohm

VSWR: 1 .20:1 max. @ 4 GHz

Oper. Temperature range ; -65C- +125C

RoHS Compliant



Adapter Part

Body, Nut, Washer

Center contact

Insulator

O-ring

Material

Brass

Beryllium Copper

PTFE

Silicone Rubber

Plating

Nickel

Gold

N/A

N/A



Premier RF

17 Roslyn CT
Patchogue, NY 11772
PH: 631-447-3804
sales@premierRF.com
www.premierRF.com

Dimensions in mm	PART NUMBER	PRF-AD3F3FB
11/04/2012	DESCRIPTION	BNC FEMALE TO BNC FEMALE BULKHEAD ADAPTER, DC-4 GHz
APPROVED		
C. Smith		