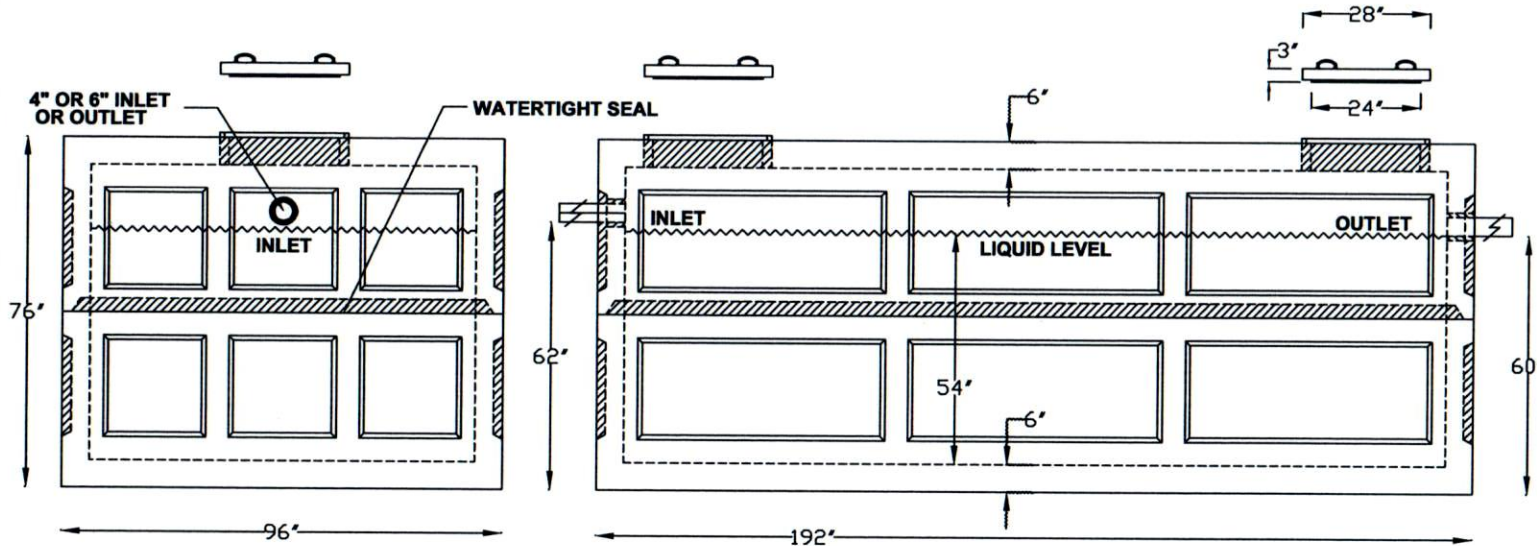
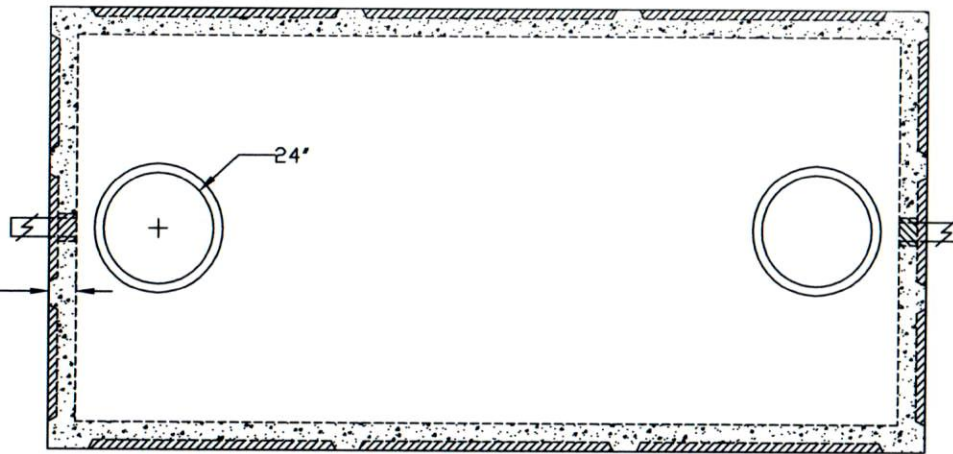


4" X 6"
APPROVED
LABEL



ALL WALLS 6" THICK



GROVE CONCRETE & SUPPLY, INC.
18426 DURAND AVENUE P.O. BOX 363
UNION GROVE, WISCONSIN 53182
(262) 878-2030 FAX (262) 878-4222
GroveConcrete.com

NOTES:

1. GALLONS PER INCH -65.45 gal/in.
2. REINFORCED CONCRETE 4,000 PSI MIN.
3. (GASKETED 4" OR 6" OPENING) PRESS SEAL, TUFF TITE OR EQUAL.
4. ALL BAFFLES & FILTERS TO BE INSTALLED TO MEET STATE & LOCAL CODES.

3,535 GALLON SEPTIC, GREASE TANK
4,189 GALLON HOLDING TANK

FOR ANY MODIFICATIONS CALL
GROVE CONCRETE

DRAWN BY: RAY		DATE: 12/20/13
SCALE: NTS	EST. WIEGHT: 38,000 LBS.	VERSION: 00001
DWG. # TNK-3535-4189		ILL. APPROVAL # 114 STATE OF WIS. APPROVED

THIS DRAWING AND THE INFORMATION CONTAINED HEREON IS THE EXCLUSIVE PROPERTY OF GROVE CONCRETE & SUPPLY, INC., AND SHALL NOT BE REPRODUCED, USED, OR DISCLOSED TO OTHERS EXCEPT AS AUTHORIZED THROUGH WRITTEN CONCENT FROM GROVE CONCRETE & SUPPLY, INC.