



PARTS LIST
ELECTRIC TILTING SKILLETS
MODELS: ES-30
ES-40



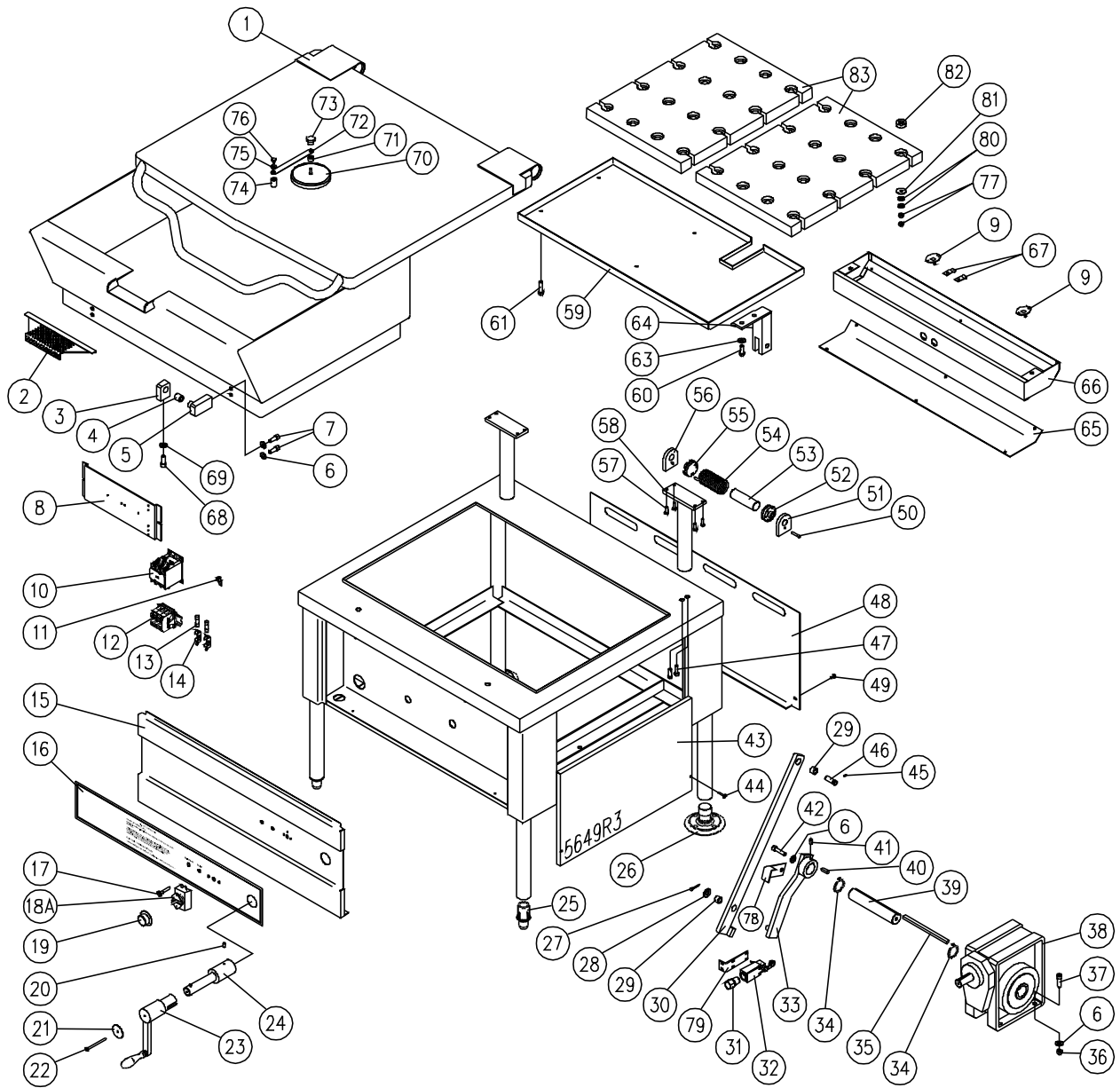
SOLARIS STEAM

4673 OSBORNE DRIVE, SUITE D
EL PASO TX 79922
www.entree.biz

TELEPHONE: (704) 900-2068

PARTS LIST, ELECTRIC TILTING SKILLETS, MODELS: ES-30, ES-40

FIGURE 1



PARTS LIST, ELECTRIC TILTING SKILLETS, MODELS: ES-30, ES-40

FIGURE 1

<u>ITEM</u>	<u>PART NO.</u>	<u>DESCRIPTION</u>	<u>ES-30</u>	<u>ES-40</u>	
1	7386-2	Cover Assembly	1		
	7387-2	Cover Assembly		1	
2	7380-1	Pour Lip Strainer	1	1	
3	5877-1	Base Bracket	2	2	
4	3704-1	Bronze Bearing	2	2	
**	5	5878-1	Right Hand Pan Bracket Assembly	1	1
		5878-2	Left Hand Pan Bracket Assembly	1	1
6	S01X-38	Lock Washer	8	8	
7	M68P-3816-1	Socket Head Screw	4	4	
8	8068-1	Component Mounting Panel	1	1	
9	4874-1	High-Limit Thermostat	2	3	
**	10	4-CG42-1	Contactora, 208, 220, 240V	1	1
		9348-208	Contactora, 380/220V, 415/240V, 380, 415, 480, 600V	1	1
11	4-70EU	Ground Lug	1	1	
**	12	6161-4	Modular Terminal Assembly, 4 Pole (208 - 240V)	1	1
		Includes the following parts:			
		9374-1	Modular Terminal, Grey	4	4
		9375-1	End Plate	1	1
		9369-1	End Clamp	2	2
		9368-098	Mounting Rail, 98 mm	1	1
		6161-3	Modular Terminal Assembly, 3 Pole (380, 415, 480V)	1	1
		Includes the following parts:			
		9374-1	Modular Terminal, Grey	3	3

PARTS LIST, ELECTRIC TILTING SKILLETS, MODELS: ES-30, ES-40

<u>ITEM</u>	<u>PART NO.</u>	<u>DESCRIPTION</u>	<u>ES-30</u>	<u>ES-40</u>	
**	12	9375-1	End Plate	1	1
		9369-1	End Clamp	2	2
		9368-079	Mounting Rail, 79 mm	1	1
		6161-4N	Modular Terminal Assembly, 3 Pole with Neutral (380/220V - 415/240V)	1	1
		Includes the following parts:			
		9374-1	Modular Terminal, Grey	3	3
		9374-2	Modular Terminal, Blue	1	1
		9375-1	End Plate	1	1
		9369-1	End Clamp	2	2
		9368-098	Mounting Rail, 98 mm	1	1
**	13	9092-3	Fuse, 3 Amp., 250V (208, 220, 240V)	2	2
		9001-2	Fuse, 1/2A, 600V (380, 415, 480, 600V)	2	2
**	14	9068-1	Fuse Holder, (208, 220, 240V)	2	2
		9002-1	Fuse Holder, (380 415, 480, 600V)	2	2
	15	7432-1	Control Panel	1	
		7432-2	Control Panel		1
	16	7276-1	Control Panel Decal	1	
		7276-2	Control Panel Decal		1
	17	4661-4	Temperature Pilot - Red	1	1
	18A	4-TH47	Operating Thermostat	1	1
*	18B	5952-1	Clamp, Thermostat Bulb	1	1
**	19	4736-1	Dial (F)	1	1
		4737-1	Dial (C)	1	1
*		4-TB05	Bezel	1	1

PARTS LIST, ELECTRIC TILTING SKILLETS, MODELS: ES-30, ES-40

<u>ITEM</u>	<u>PART NO.</u>	<u>DESCRIPTION</u>	<u>ES-30</u>	<u>ES-40</u>
20	9061-4	Set Screw, 1/4 - 20 x 1/2	1	1
21	5608-1	Tilt Decal	1	1
22	M33S-1032-3	Screw, 10 - 32 x 3	1	1
23	5628-1	Tilt Handle Assembly	1	1
24	5627-1	Input Shaft	1	1
25	5-FS64-1	Adjustable Foot	2	2
26	8-1308	Flanged Adjustable Foot	2	2
27	5329-4	Cotter Pin, 1/8 x 1" Long	1	1
28	9397-6	Flat Washer, 1/2" x 1-1/4, OD x 0.078 Thick	1	1
29	9103-2	Bronze Bearing	2	2
30	5619-1	Upper Tilt Arm	1	1
31	9176-1	Liquid Tight Connector/Strain Relief	1	1
*	9176-2	Liquid Tight Locknut	1	1
32	9168-1	Tilt Switch	1	1
33	5620-1	Lower Tilt Arm	1	1
34	9174-1	Retaining Ring	2	2
35	5337-2	Key, 8 mm x 10 mm x 5.5"	1	1
36	9029-3	Hex Nut, 3/8 - 16	4	4
37	M68P-3816-114	Screw, 3/8 - 16 x 1-1/4"	4	4
38	9131-1	Gear Box	1	1
39	5637-1	Output Shaft	1	
	5637-2	Output Shaft		1
40	5337-3	Key, 8 mm x 10 mm x 1"	1	1
41	9061-5	Set Screw, 3/8 - 16 x 1/2"	1	1
42	M68P-3816-112	Screw, 3/8 - 16 x 1-1/2"	1	1

PARTS LIST, ELECTRIC TILTING SKILLETS, MODELS: ES-30, ES-40

<u>ITEM</u>	<u>PART NO.</u>	<u>DESCRIPTION</u>	<u>ES-30</u>	<u>ES-40</u>
43	7448-1	Right Hand Access Panel	1	1
44	M33S-1032-1	Screw 10 - 32 x 1	4	4
45	9061-2	Set Screw, 8 - 32 x 5/16"	1	1
46	5624-1	Yoke Pin	1	1
47	M50S-51618-1	Screw, 5/16 - 18 x 1	4	4
48	7449-1	Rear Panel	1	
	7462-1	Rear Panel		1
49	M33S-1032-12	Screw, 10 - 32 x 1/2"	4	4
50	8-2029	Lock Pin	2	2
51	8-2035L	End Lock Plate	2	2
52	5428-1	Stationary Disc	2	2
53	5430-1	Core	2	2
54	8-2026	Spring	2	2
55	5429-1	Rotary Disc	2	2
56	8-2021	End Stop Plate	2	2
57	M50S-1420-34	Screw, 1/4 - 20 x 3/4"	8	8
58	5651-1	Hinge Support Assembly	2	2
59	8052-1	Element Cover	1	
	8053-1	Element Cover		1
60	M50S-3816-1	Hex Hd. Screw, 3/8-16 UNC x 1" Lg.	2	2
61	M50S-3816-112	Hex Hd, 3/8-16 UNC x 1-1/2 Lg.	4	4
* **	62	4-T251 Transformer, 380/415V - 240V, 100VA [4298]	1	1
		4-T255 Transformer, 480-240V, 100 VA [9216]	1	1
		4-T260 Transformer, 600 - 240V	1	1

PARTS LIST, ELECTRIC TILTING SKILLETS, MODELS: ES-30, ES-40

<u>ITEM</u>	<u>PART NO.</u>	<u>DESCRIPTION</u>	<u>ES-30</u>	<u>ES-40</u>
63	S05N-38	Split Lock Washer, 3/8	2	2
64	8064-1	Yoke	1	1
65	8061-1	Terminal Enclosure Cover	1	
65	8061-2	Terminal Enclosure Cover		1
66	8054-1	Terminal Enclosure Box	1	
	8054-2	Terminal Enclosure Box		1
67	3602-1	Clamp	2	2
68	M68P-1213-1	Socket Head Screw, 1/2-13 UNC x 1	2	2
69	S01X-12	Split Lock Washer, 1/2	2	2
70	4139-1	Vent Cover	1	1
71.	5837-1	Swivel Spacer	1	1
72	5817-1	Arm	1	1
73	9248-1	Knob	1	1
74	5836-1	Swivel Base	1	1
75	F05N-14	Washer, 1/4, Stainless Steel	1	1
76	9031-5	Acorn Nut, 1/4 - 20 UNC	1	1
77	1-69C0	Hex Nut, 5/16 - 18 UNC	64	80
78.	5767-1	Tilt Switch Cam	1	1
79	5635-1	Tilt Switch Bracket	1	1
80	9078-1	Flat Washer, 11/32 ID x 1-1/2 OD x 0.083 Thk.	32	40
81	9063-1	Disc Springs	64	80
82	3599-1	Element Block Spacer	32	40
* **	83	7545-208	Element Assembly, 208V, 6 kW	2
		7545-220	Element Assembly, 220/380, 6 kW	2
		7545-240	Element Assembly, 240/415V, 6 kW	2

PARTS LIST, ELECTRIC TILTING SKILLETS, MODELS: ES-30, ES-40

<u>ITEM</u>	<u>PART NO.</u>	<u>DESCRIPTION</u>	<u>ES-30</u>	<u>ES-40</u>
	7545-277	Element Assembly, 480 (277V), 6 kW	2	
	7547-208	Element Assembly, 208V, 6 kW		3
	7547-220	Element Assembly, 220/380, 6 kW		3
83	7547-240	Element Assembly, 240/415V, 6 kW		3
	7547-277	Element Assembly, 480 (277V), 6 kW		3

* NOT SHOWN.

** SELECT AS REQUIRED.