

LEGENDS/SYMBOLS

	FINISHED WOOD		PLYWOOD
	DIMENSION LUMBER		BATT INSULATION
	FACE BRICK		GROUT
	RIGID INSULATION		GLAZED TILE
	CUT STONE		MARBLE
	CONCRETE		ACOUSTICAL CEILING
	CONCRETE BLOCK		SHIM PACK
	STEEL IN SECTION		ALUMINUM
	DENOTES BLOCKING OR SHIM. NOT CONTINUOUS. NOT NECESSARILY ONE PIECE & NOT BY CARTNER GLASS		
	DENOTES BACKER ROD OR CAULK ROPE.		
	W.L.	WIND LOAD ANCHOR LOCATION	
	D.L.	DEAD LOAD ANCHOR LOCATION	
	DIMENSIONAL REFERENCE / ELEVATION		
	WORKING POINT		
	GLAZING INDICATION NUMBER		
	DETAIL NUMBER		
	SHEET NUMBER		
	WINDOW MARK		
	DOOR NUMBERS		
	ELEVATION LOCATION-VIEW POINT ELEVATION MARK/TITLE ELEVATION SHEET NUMBER		
	DENOTES NORTH DIRECTION		



VC SUMMER NUCLEAR STATION
 NUCLEAR OPERATIONS BLDG.
 JENKINSVILLE, SC
 FOR APPROVAL & CONSTRUCTION

ARCHITECT
 ARCHITECT NAME AND ADDRESS

ERECTOR
 CUSTOMER NAME AND ADDRESS

THE FOLLOWING DOCUMENTS WERE USED TO PRODUCE SUBMITTAL DRAWINGS

ARCHITECTURAL DRAWINGS:
 FOR CONSTRUCTION ONLY DATED 5/6/11

CUSTOMER TAKEOFF: NO

SPECIFICATIONS: DIVISION 8

ADDENDUM: NA

OTHER: NA

INDEX	
SHEET NUMBER	DESCRIPTION
.01	COVER SHEET
<u>.02-.03</u>	GENERAL INFORMATION
1.01 - 1.05	FLOOR PLANS
2.01 - 2.26	ELEVATIONS
3.01 - 3.12	DETAILS
4.01 - 4.06	CONNECTION DETAILS
5.01	BRAKE METAL

ABBREVIATIONS

A/C = ACCESS CONTROLLED	N.I.C. = NOT IN CONTRACT
A.F.F. = ABOVE FINISHED FLOOR	N.T.S. = NOT TO SCALE
B.O. = BY OTHERS	O.D. = OPENING DIMENSION
B.O.M. = BOTTOM OF MULLION	O.F.D. = OVERALL FRAME DIMENSION
CL = CENTER LINE	REF. = REFERENCE
DIM. = DIMENSION	R.O. = ROUGH OPENING
D.L.O. = DAYLIGHT OPENING	T.O.F.F. = TOP OF FINISHED FLOOR
D.L. = DEAD LOAD (ANCHOR)	T.O.M. = TOP OF MULLION
D.O. = DOOR OPENING	T.O.S. = TOP OF SLAB
EL. = ELEVATION	T.O.STL. = TOP OF STEEL
F.S. = FRAME SIZE	U.N.O. = UNLESS NOTED OTHERWISE
F.F. = FINISH FLOOR	W.C. = WEB CENTER
G.C. = GENERAL CONTRACTOR	W.D. = WINDOW DIMENSION
M.O. = MASONRY OPENING	W.L. = WIND LOAD (ANCHOR)
M.L. = MULLION LENGTH	W.P. = WORKING POINT
N.B.C.G. = NOT BY CARTNER GLASS	
N.B.T. = NOT BY TUBELITE	

DESIGN CRITERIA

BASIC WIND SPEED = 95 MPH
 EXPOSURE = C
 IMPORTANCE, I = 1.0
 ROOF HEIGHT = 44 FT
 SLOPE OF ROOF < 10 DEGREES
 TYPICAL ZONE = 24.4 PSF
 CORNER ZONE = 30.0 PSF
 GROUND SNOW LOAD = 10 PSF

TUBELITE
 STOREFRONTS & ENTRANCES
 3056 WALKER RIDGE DRIVE, NW, SUITE G
 WALKER, MICHIGAN 49544
 800-866-2227 PHONE
 www.tubeliteinc.com



PROJECT NAME
 PROJECT ADDRESS
 CUSTOMER NAME
 CUSTOMER ADDRESS

DRAWN BY: CW DATE: 9/6/11

CHECKED BY: JR DATE: 9/6/11

JOB NAME: VC SUMMER NUCLEAR

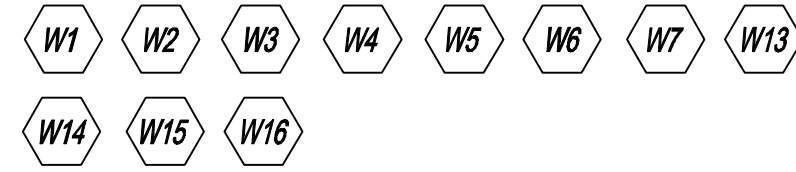
SHEET NO: .01

1/10/12	11/7/11	9/6/11	DATE
1ST. REVISION	1ST. SUBMISSION (ENGINEERING CALCS)	1ST. SUBMISSION	DESCRIPTION
		NO	DRAWING SUBMISSION

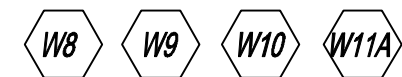
P: 704-588-1976, F: 704-588-9440

PRODUCT TYPES

TUBELITE SERIES 400 CURTAINWALL - 2 1/2" X 7 1/2"
FRONT SET TO ACCEPT 1" GLASS
BACK MEMBER - E55TB223
CUSTOM DEEP FACE CAP (OVERALL CURTAINWALL DEPTH = 15")



TUBELITE SERIES 400 CURTAINWALL - 2 1/2" X 7 1/2"
FRONT SET TO ACCEPT 1" GLASS
BACK MEMBER - E55TB223



TUBELITE SERIES 400 CURTAINWALL - 2 1/2" X 7 1/2"
FRONT SET TO ACCEPT 1/4" GLASS
BACK MEMBER - E55TB223



TUBELITE SERIES 400 CURTAINWALL - 2 1/2" X 6"
FRONT SET TO ACCEPT 1", 1/4" & 1/2" GLASS
BACK MEMBER - E4TB223



TUBELITE SERIES E14000 - 2" X 4 1/2" STOREFRONT
CENTER SET TO ACCEPT 1/2" GLASS



FINISH TYPE AND COLOR:

PAINTED "QUAKER BRONZE" FOR ENTIRE PROJECT
WITH THE EXCEPTION OF DEEP FACE CAP
STANDARD BONE WHITE, PAINTED
FOR DEEP HORIZONTAL FACE CAP (NDR121101)
AND DEEP PRESSURE PLATE (E2233)

SPECIAL NOTES:

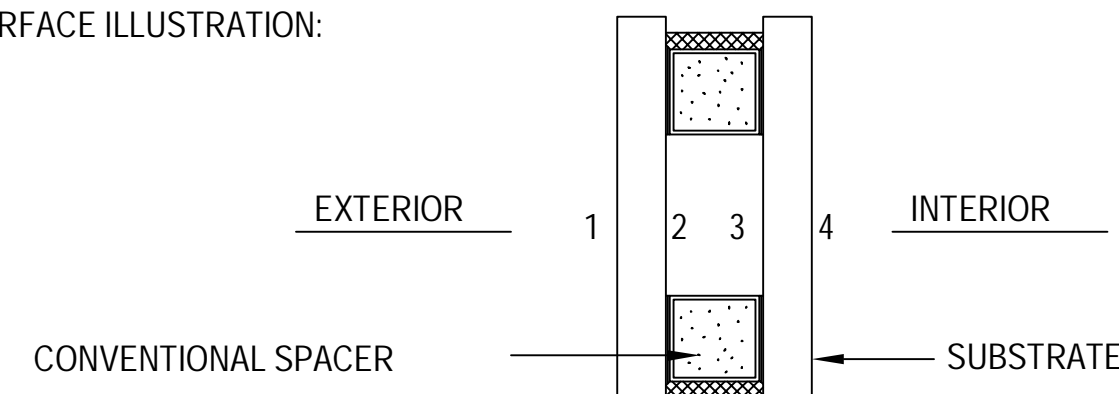
- ALL WATER PROOFING MEMBRANE, ICE AND WATER SHIELD AND THRU WALL FLASHING IS SUPPLIED AND INSTALLED BY OTHERS. ICE AND WATERSHIELD MUST RETURN PAST THE "DRY LINE" OF THE CURTAINWALL BACK MEMBER (SEE DETAILS)
- ALL BLOCKING AND STRUCTURAL SUPPORT IS SUPPLIED AND INSTALLED BY OTHERS.
- THE MAIN STRUCTURE MUST BE CAPABLE OF WITHSTANDING THE LOADS IMPOSED BY THE TUBELITE GLAZING SYSTEMS. STRUCTURE MUST PROVIDE SUITABLE ANCHORAGE FOR THESE GLAZING SYSTEMS. AND MUST BE ERECTED WITH IN SPECIFIED BUILDING TOLERANCES.
- ARCHITECT/G.C. NOTE: PLEASE VERIFY ALL DIMENSIONS FRAMES WILL BE FABRICATED AND GLASS ORDERED FROM FINAL APPROVED DRAWINGS
- TUBELITE IS NOT SUPPLYING STEEL OF ANY KIND. ALL STRUCTURAL AND INTERNAL STEEL IS SUPPLIED BY OTHERS.

EXCLUSIONS:

- THE FOLLOWING ITEMS ARE NOT SUPPLIED BY TUBELITE UNLESS STATED OTHERWISE.
- A. ERECTION OR GLAZING
 - B. GLASS OR SIDE BLOCKS
 - C. FIELD APPLIED CAULKING AND ROD STOPS.
 - D. SEALANTS/MASTICS
 - E. CONCRETE INSERTS OR IMBEDS
 - F. ANCHORS OR ATTACHMENTS TO MAIN STRUCTURE.
 - G. BRACING OR REINFORCING UNLESS SPECIFICALLY NOTED
 - H. FLASHING UNLESS OTHERWISE NOTED
 - I. WOOD BLOCKING OR STRUCTURAL SUPPORT OF ANY KIND
 - J. SHIMS
 - K. INSULATION
 - L. FIRE PROOFING MATERIALS
 - M. PROTECTIVE COATINGS (BACK PTG.)

GLASS SCHEDULE

GLASS SURFACE ILLUSTRATION:



GLAZING TYPE	DESCRIPTION	SUPPLIED BY		GLAZED BY	
		TUBELITE	CARTNER	TUBELITE	CARTNER
a	1" VISION TEMPERED - OUTBOARD - 1/4" CLEAR TEMPERED W/ SOLARBAN 70XL LOW E ON 2 SURFACE SPACER - 1/2" AIRSPACE INBOARD - 1/4" CLEAR TEMPERED		X		X
b	1" VISION TEMPERED (SAFETY GLASS) - OUTBOARD - 1/4" CLEAR TEMPERED W/ SOLARBAN 70XL LOW E ON 2 SURFACE SPACER - 1/2" AIRSPACE INBOARD - 1/4" CLEAR LAMINATED		X		X
c	1" SPANDREL TEMPERED - OUTBOARD - 1/4" CLEAR TEMPERED W/ SOLARBAN 70XL LOW E ON #2 SURFACE SPACER - 1/2" AIRSPACE INBOARD - 1/4" CLEAR TEMPERED W/ STANDARD SPANDREL ON #4 SURFACE **ARCHITECT TO CHOOSE SPANDREL COLOR FROM MANUFACTURER'S STANDARD COLORS**		X		X
e	9/16" LAMINATED - 9/16" CLEAR LAMINATED GLASS		X		X
f	1/4" VISION TEMPERED - 1/4" CLEAR TEMPERED GLASS		X		X
g	5/16" WHITE LAMINATED - 5/16" CLEAR LAMINATED GLASS WITH WHITE INERLAYER		X		X
h	5/16" LAMINATED - 5/16" CLEAR LAMINATED GLASS		X		X

SEE SEPARATE SAMPLES FOR FINAL APPROVAL
TUBELITE IS NOT SUPPLYING GLAZING OF ANY KIND

DOOR SCHEDULE

DOOR	HW	HAND	DOOR OPENING	FRAME	FRAMING	GLASS	LOCATION
101A	01.2	PAIR	7'-11 1/4" X 7'-11"	W17	400 (6")	g	FITNESS 117
102A	01.1	PAIR	6'-10 3/4" X 7'-11"	W12	400 (7 1/2")	h	AIR LOCK 102
102B	02	PAIR	6'-10 3/4" X 7'-11"	W9	400 (7 1/2")	d	AIR LOCK 102
172A	03	RH	3'-0" X 7'-11"	W14	400 (7 1/2")	d	DINING 172
172B	01	PAIR	6'-0" X 7'-11"	W3	400 (7 1/2")	d	DINING 172
ST01B	03	RH	3'-0" X 7'-11"	W5	400 (7 1/2")	d	STAIRS ST01
ST03B	03	LH	3'-0" X 7'-11"	W4	400 (7 1/2")	d	STAIRS ST03

DOOR DESCRIPTIONS:

1) TUBELITE MONUMENTAL WIDE STILE ALUMINUM DOOR WITH 10" BOTTOM RAIL, 6" TOP RAIL, 6" MID RAIL & 6" VERTICAL STILES TO ACCEPT 1/4" GLASS. MONUMENTAL DOORS ARE 2" THICK HEAVY DUTY DOORS. PLEASE COORDINATE WITH HARDWARE SUPPLIER TO ENSURE PROPER FITTING AND OPERATION OF DOOR HARDWARE.

DOOR HARDWARE NOTES:

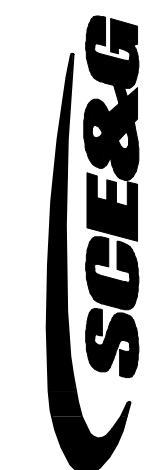
1) IT HAS BEEN DETERMINED THAT SOME OF THE HARDWARE WILL BE SUPPLIED AND INSTALLED BY HARDWARE SUPPLIER. AN APPROVED HARDWARE SCHEDULE IS REQUIRED PRIOR TO DOOR FABRICATION. ANY DELAY IN RECEIVING AN APPROVED HARDWARE SCHEDULE WILL RESULT IN A DIRECT DELAY OF THE DOOR FABRICATION.

2) ALL HARDWARE MUST BE SUPPLIED TO INSTALLER. PLEASE MARK EACH BOX CLEARLY WITH DOOR NUMBERS. ANY DELAY IN RECEIVING THE HARDWARE WILL RESULT IN A DIRECT DELAY IN DOOR FABRICATION.

3) SEE APPROVED HARDWARE SCHEDULE PAGE .03

TUBELITE
STOREFRONTS & ENTRANCES

DEPENDABLE
3056 WALKER RIDGE DRIVE, NW, SUITE G
WALKER, MICHIGAN 49544
800-866-2227 PHONE
www.tubeliteinc.com



PROJECT NAME
PROJECT ADDRESS

CUSTOMER NAME
CUSTOMER ADDRESS

DRAWN BY: CW
CHECKED BY: JR
DATE: 9/6/11

JOB NAME:
VC SUMMER NUCLEAR

SHEET NO.:
.02

1/10/12	11/7/11	9/6/11	DATE
1ST. REVISION	1ST. SUBMISSION (ENGINEERING CALCS)	1ST. SUBMISSION	DESCRIPTION
			DRAWING SUBMISSION

P: 704-588-1976, F: 704-588-9440

HARDWARE #01 DOOR NUMBER 172B

2	EA	Pivot Sets	195	626	RIXSON	
4	EA	Intermediate Pivot	M19	626	RIXSON	
1	EA	Exit Dev. (CVR)	ED4800 x P1050/02 x SNB	630	C/R	
1	EA	Elect. Exit Dev. (CVR)	ED4800 x M94- x P1057/03 x SNB	630	C/R	
1	EA	Mortise Cylinder	IC 1080 SERIES x CMK	626	C/R	
1	EA	Perm. Core	IC CORE 8000 SERIES x MKD	626	C/R	
2	EA	Closer / Stops	DC6210 x A11 x M54	689	C/R	
1	EA	Threshold	171A x LAR ALUM	PEMKO		
2	EA	Door Sweep	3452ANB x LAR ALUM	PEMKO		
1	EA	Weatherstrip	By Door Mfgr.	ALUM		
1	EA	Power Transfer	FAEPTL (RHR)	C/R		
1	EA	Power Controller	See Hdwe. 15			
1	EA	Control Panel	By others			
1	EA	Card Reader	By others			
1	EA	Bollard Post Square	BPS SM-PRP 36	Bone	WIKK	

NOTES:

- 1) Coordinate installation of Power Supply and conduit locations with Electric Access Control Contractor.
- 2) Power supplies will be concealed in hard ceilings with access panel installed and coordinated by contractor.
- 3) Card Reader, Control Panel & Low Voltage Network shall be shall be coordinated with the owner and the Access Control Contractor.

HARDWARE #01.1 DOOR NUMBER 102A

2	EA	Pivot Sets	195	626	RIXSON	
4	EA	Intermediate Pivot	M19	626	RIXSON	
1	EA	Keyed Mullion	908BKM	600	C/R	
1	EA	Exit Dev. (Rim)	ED5200 x T1350/02x SNB	630	C/R	
1	EA	Elect. Exit Dev. (Rim)	ED5200 x M94- x T1357/03 x SNB	630	C/R	
1	EA	Rim Cylinder	IC 3080 SERIES x CMK	626	C/R	
1	EA	Perm. Core	IC CORE 8000 SERIES x MKD	626	C/R	
2	EA	Closer / Stops	DC6210 x A11 x M54	689	C/R	
1	EA	Threshold	171A x LAR ALUM	PEMKO		
2	EA	Door Sweep	3452ANB x LAR ALUM	PEMKO		
1	EA	Weatherstrip	By Door Mfgr.	ALUM		
1	EA	Power Transfer	FAEPTL (RHR)	C/R		
1	EA	Power Controller	See Hdwe. 15			
1	EA	Control Panel	By others			
1	EA	Card Reader	By others			
1	EA	Bollard Post Square	BPS SM-PRP 36	BoneWhite	WIKK	

NOTES:

- 1) No threshold required.
- 2) Coordinate installation of Power Supply and conduit locations with Electric Access Control Contractor.
- 3) Power supplies will be concealed in hard ceilings with access panel installed and coordinated by contractor.
- 4) Card Reader, Control Panel & Low Voltage Network shall be shall be coordinated with the owner and the Access Control Contractor.

HARDWARE #01.2 DOOR NUMBER 101A

2	EA	Pivot Sets	195	626	RIXSON	
4	EA	Intermediate Pivot	M19	626	RIXSON	
1	EA	Keyed Mullion	908BKM	600	C/R	
1	EA	Exit Dev. (Rim)	ED5200 x T1350/02 x SNB	630	C/R	
1	EA	Elect. Exit Dev. (Rim)	ED5200 x M94- x T1357/03 x SNB	630	C/R	
1	EA	Rim Cylinder	IC 3080 SERIES x CMK	626	C/R	
1	EA	Perm. Core	IC CORE 8000 SERIES x MKD	626	C/R	
2	EA	Closer / Stops	DC6210 x A11 x M54	689	C/R	
1	EA	Power Transfer	FAEPTL (RHR)	C/R		
1	EA	Power Controller	See Hdwe. 15			
1	EA	Control Panel	By Others			
1	EA	Card Reader	By Others			
1	EA	Bollard Post Square	BPS SM-PRP 36	Bone White	WIKK	

NOTES:

- 1) No threshold required.
- 2) Coordinate installation of Power Supply and conduit locations with Electric Access Control Contractor.
- 3) Power supplies will be concealed in hard ceilings with access panel installed and coordinated by contractor.
- 4) Card Reader, Control Panel & Low Voltage Network shall be shall be coordinated with the owner and the Access Control Contractor.

HARDWARE #02 DOOR NUMBER 102B

2	EA	Pivot Sets	195	626	RIXSON	
4	EA	Intermediate Pivot	M19	626	RIXSON	
1	EA	Keyed Mullion	908BKM	600	C/R	
1	EA	Exit Dev. (Rim)	ED5200 x T1350/02 x SNB	630	C/R	
1	EA	Exit Dev. (Rim)	ED5200 x T1357/03 x SNB	630	C/R	
1	EA	Rim Cylinder	IC 3080 SERIES x CMK	626	C/R	
1	EA	Perm. Core	IC CORE 8000 SERIES x MKD	626	C/R	
2	EA	Closer / Stops	DC6210 x A11 x M54	689	C/R	
1	EA	Threshold	171A x LAR ALUM	PEMKO		
2	EA	Door Sweep	3452ANB x LAR ALUM	PEMKO		
1	EA	Weatherstrip	By Door Mfgr.	ALUM		

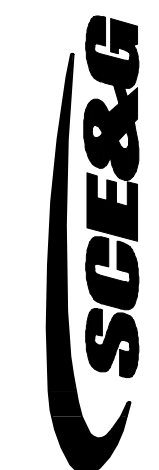
HARDWARE #03 DOOR NUMBERS 172A, ST01B & ST03B

1	EA	Pivot Sets	195	626	RIXSON	
2	EA	Intermediate Pivot	M19	626	RIXSON	
1	EA	Elect. Exit Dev. (Rim)	ED5200 x M94- x T1357/03 x SNB	630	C/R	
1	EA	Rim Cylinder	IC 3080 SERIES x CMK	626	C/R	
1	EA	Perm. Core	IC CORE 8000 SERIES x MKD	626	C/R	
1	EA	Closer / Stops	DC6210 x A11 x M54	689	C/R	
1	EA	Threshold	171A x LAR ALUM	PEMKO		
1	EA	Door Sweep	3452ANB x LAR ALUM	PEMKO		
1	EA	Weatherstrip	By Door Mfgr.	ALUM		
1	EA	Power Transfer	FAEPTL (RHR)	C/R		
1	EA	Power Controller	See Hdwe. 15			
1	EA	Control Panel				
1	EA	Card Reader				
1	EA	Bollard Post Square	BPS SM-PRP 36	Clear Anod	WIKK	

NOTES:

- 1) Coordinate installation of Power Supply and conduit locations with Electric Access Control Contractor.
- 2) Power supplies will be concealed in hard ceilings with access panel installed and coordinated by contractor.
- 3) Card Reader, Control Panel & Low Voltage Network shall be shall be coordinated with the owner and the Access Control Contractor.

TUBELITE
STOREFRONTS & ENTRANCES
DEPENDABLE
3056 WALKER RIDGE DRIVE, NW, SUITE G
WALKER, MICHIGAN 49544
800-866-2227 PHONE
www.tubeliteinc.com



PROJECT NAME
PROJECT ADDRESS
SUB CONTRACTOR/INSTALLER
CUSTOMER NAME
CUSTOMER ADDRESS

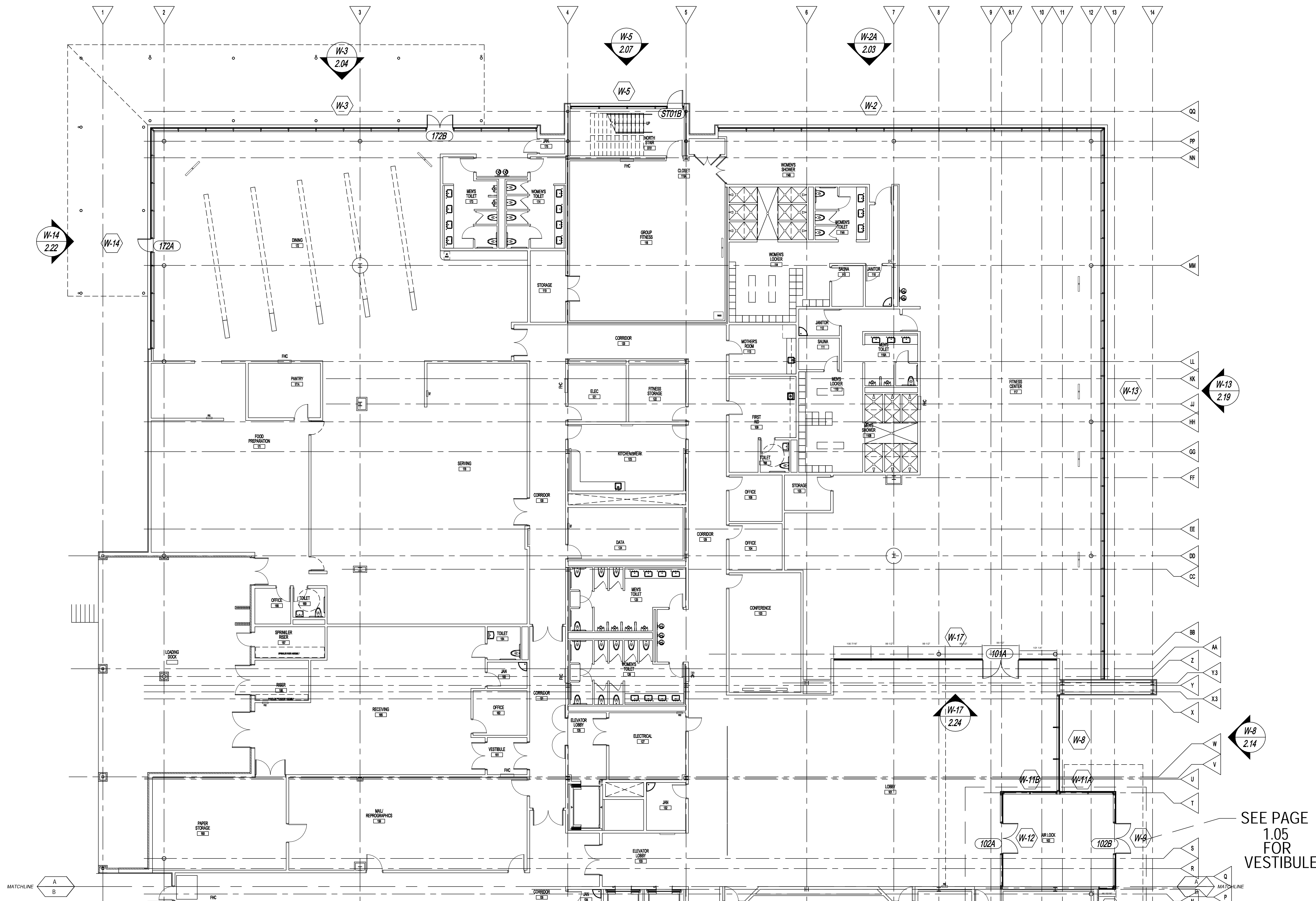
DRAWN BY: CW
CHECKED BY: JR
DATE: 9/6/11
DATE: 9/6/11

JOB NAME:
VC SUMMER NUCLEAR

SHEET NO.:
.02

1/10/12	DATE
11/7/11	DATE
9/6/11	DATE
NO	NO
DESCRIPTION	DESCRIPTION
DRAWING SUBMISSION	DRAWING SUBMISSION

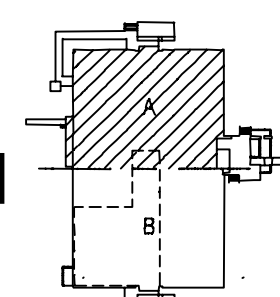
P: 704-588-1976, F: 704-588-9440



ARCH / G.C. NOTE:

FLOOR PLANS ARE PROVIDED FOR OPENING TYPE LOCATION ONLY. REFER TO SPECIFIC MARK ELEVATIONS FOR SIZE REFERENCE DIMENSIONING, MULLION SPACING, ETC.

KEY PLAN

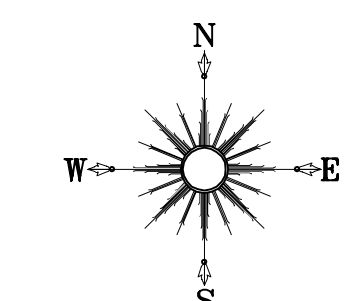


PARTIAL FIRST FLOOR PLAN "A"

N.T.S.

ARCHITECTURAL REFERENCE A2.1A

SEE PAGE 1.05 FOR VESTIBULE



TUBELITE® **DEPENDABLE**
 STOREFRONTS & ENTRANCES
 3056 WALKER RIDGE DRIVE, NW, SUITE G
 WALKER, MICHIGAN 49544
 800-866-2227 PHONE
 www.tubeliteinc.com



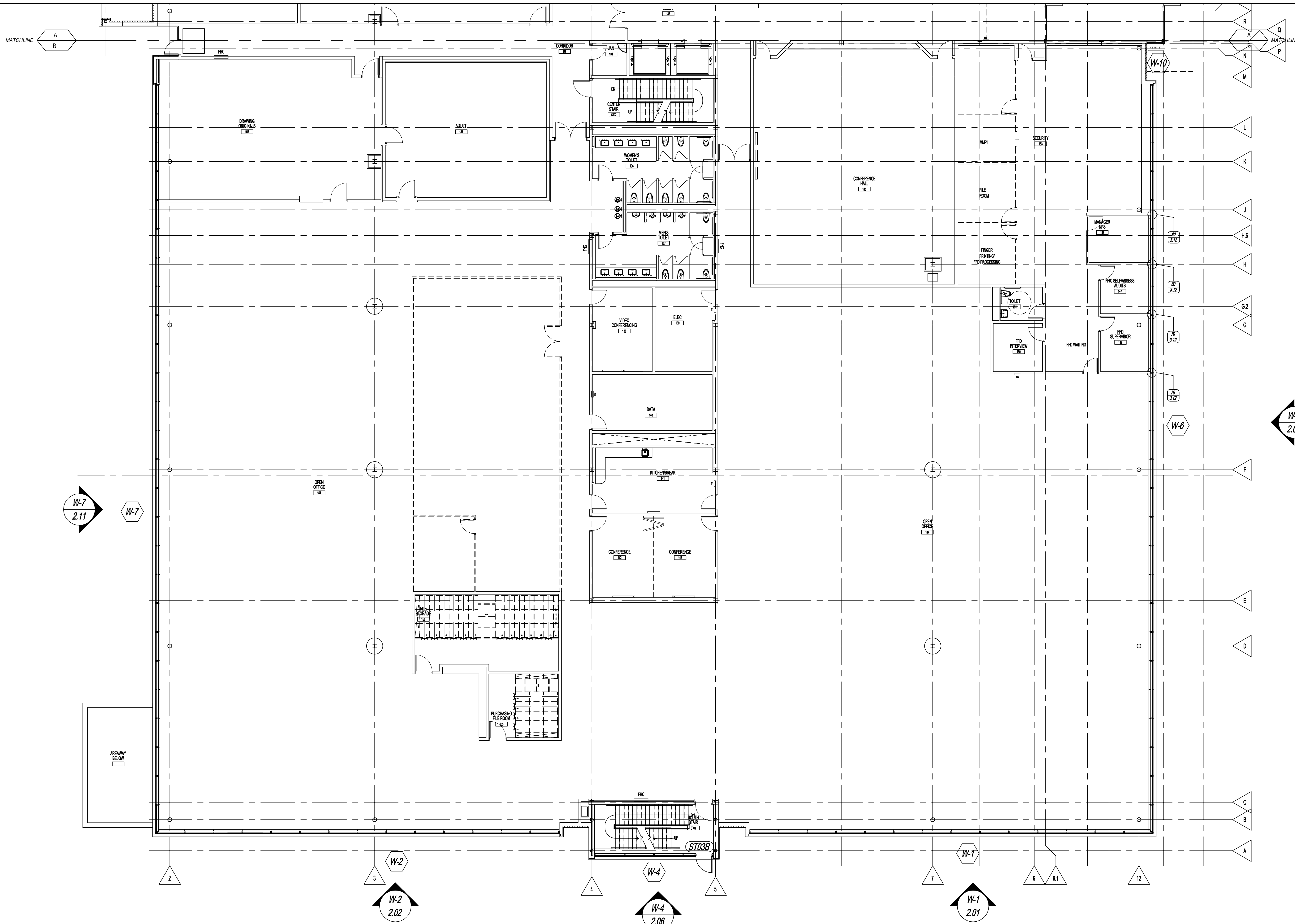
PROJECT NAME
 PROJECT ADDRESS
 CUSTOMER NAME
 CUSTOMER ADDRESS

PROJECT:	CW	DATE:	9/6/11
CHECKED BY:	JR	DATE:	9/6/11
JOB NAME:	VC SUMMER NUCLEAR		
SHEET NO.:	1.01		

P: 704-588-1976, F: 704-588-9440

NO.	DESCRIPTION	DATE
1	1ST. SUBMISSION	9/6/11
2	1ST. SUBMISSION (ENGINEERING CALCS)	11/7/11
3	1ST. REVISION	1/10/12

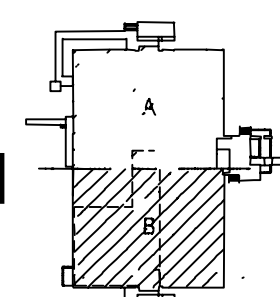
DRAWING SUBMISSION



ARCH / G.C. NOTE:

FLOOR PLANS ARE PROVIDED FOR OPENING TYPE LOCATION ONLY. REFER TO SPECIFIC MARK ELEVATIONS FOR SIZE REFERENCE DIMENSIONING, MULLION SPACING, ETC.

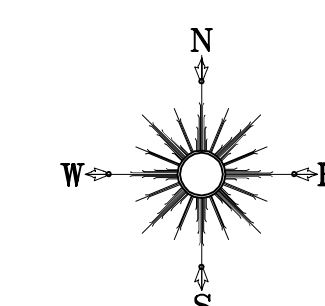
KEY PLAN



PARTIAL FIRST FLOOR PLAN "B"

N.T.S.

ARCHITECTURAL REFERENCE A2.1B



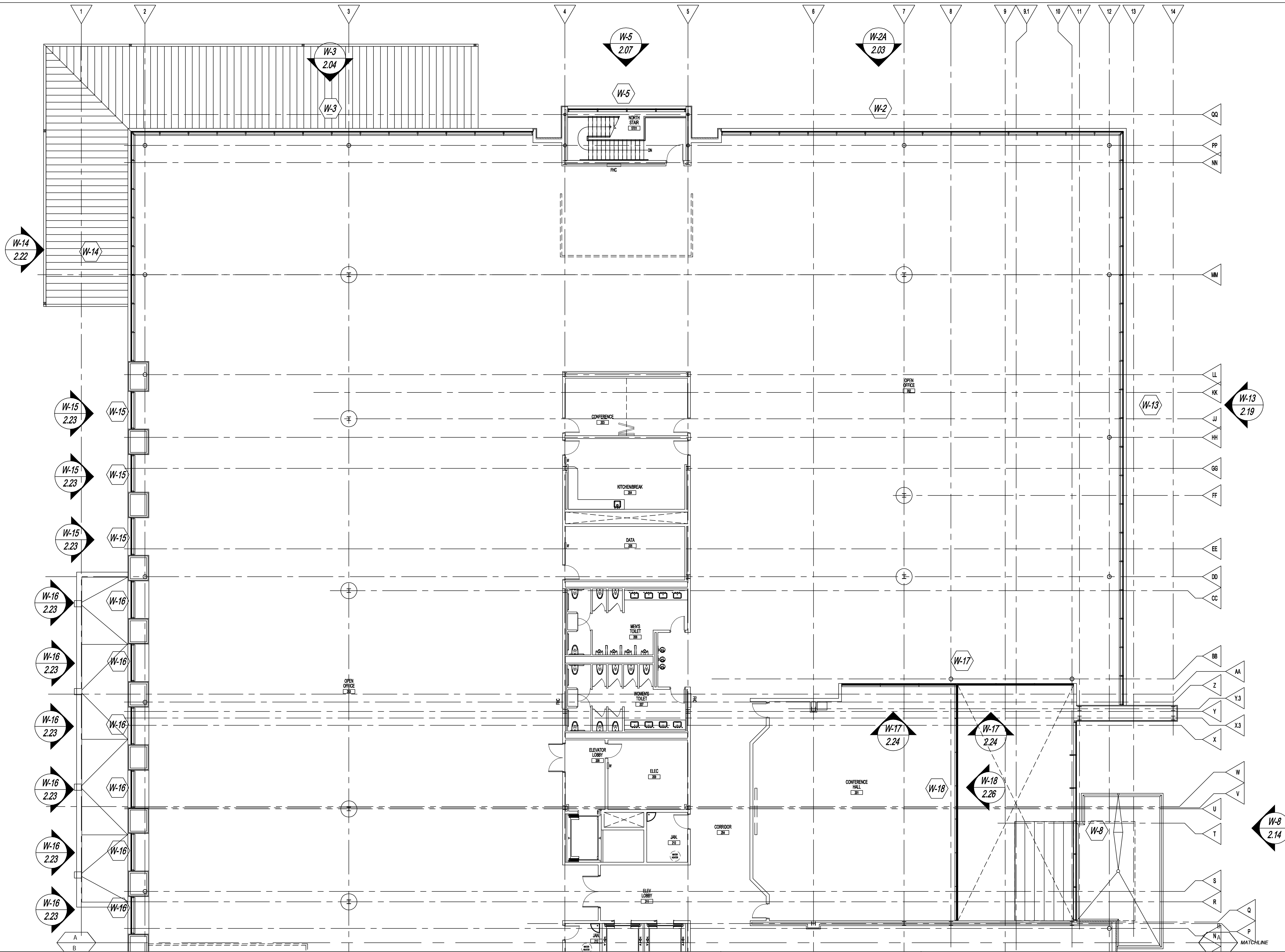
PROJECT:	NO	DESCRIPTION	DATE
DRAWN BY:	CW	DATE:	9/6/11
CHECKED BY:	JR	DATE:	9/6/11
JOB NAME:	VC SUMMER NUCLEAR		
SHEET NO.:	1.02		

TUBELITE® **DEPENDABLE**
 STOREFRONTS & ENTRANCES
 3056 WALKER RIDGE DRIVE, NW, SUITE G
 WALKER, MICHIGAN 49544
 800-866-2227 PHONE
 www.tubeliteinc.com

PROJECT NAME
PROJECT ADDRESS
CUSTOMER NAME
CUSTOMER ADDRESS

1ST. REVISION	1/10/12
1ST. SUBMISSION (ENGINEERING CALCS)	11/17/11
1ST. SUBMISSION	9/6/11
NO	DATE
DRAWING SUBMISSION	

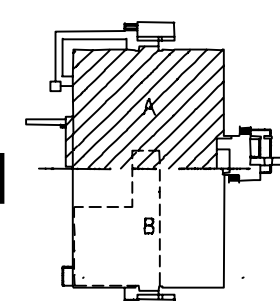
P: 704-588-1976, F: 704-588-9440



ARCH / G.C. NOTE:

FLOOR PLANS ARE PROVIDED FOR OPENING TYPE LOCATION ONLY. REFER TO SPECIFIC MARK ELEVATIONS FOR SIZE REFERENCE DIMENSIONING, MULLION SPACING, ETC.

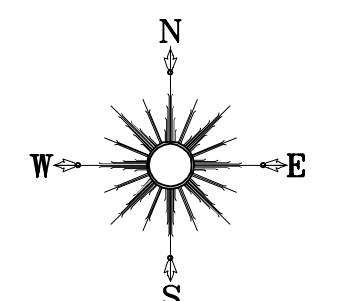
KEY PLAN



PARTIAL SECOND FLOOR PLAN "A"

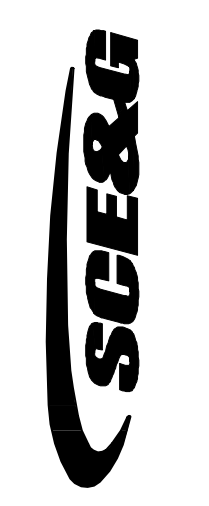
N.T.S.

ARCHITECTURAL REFERENCE A2.2A



PROJECT:	NO	DESCRIPTION	DATE
DRAWN BY:			
CHECKED BY:			
JOB NAME:			
SHEET NO.:			
1ST. REVISION	17/012		
1ST. SUBMISSION (ENGINEERING CALCS)	11/7/11		
1ST. SUBMISSION	9/6/11		

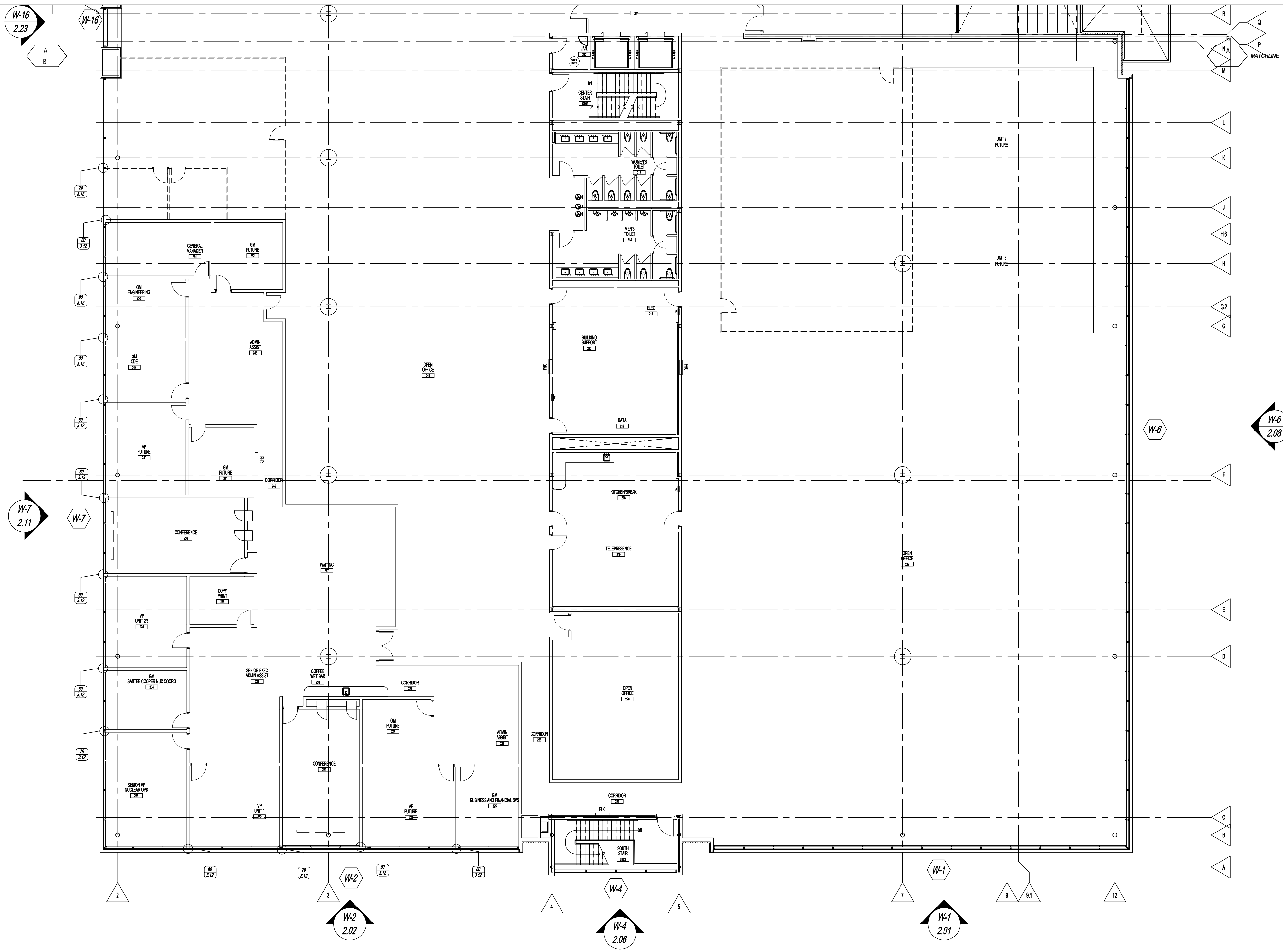
TUBELITE® **DEPENDABLE**
 STOREFRONTS & ENTRANCES
 3056 WALKER RIDGE DRIVE, NW, SUITE G
 WALKER, MICHIGAN 49544
 800-866-2227 PHONE
 www.tubeliteinc.com



PROJECT NAME
 PROJECT ADDRESS
 CUSTOMER NAME
 CUSTOMER ADDRESS

P: 704-588-1976, F: 704-588-9440

DRAWN BY:	CW	DATE:	9/6/11
CHECKED BY:	JR	DATE:	9/6/11
JOB NAME:	VC SUMMER NUCLEAR		
SHEET NO.:	1.03		



PROJECT:	17/012
DRAWN BY:	11/7/11
CHECKED BY:	9/6/11
DATE:	
JOB NAME:	
SHEET NO.:	

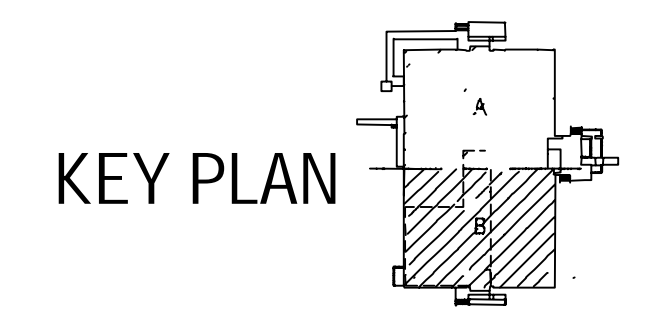
TUBELITE
 STOREFRONTS & ENTRANCES
 3056 WALKER RIDGE DRIVE, NW, SUITE G
 WALKER, MICHIGAN 49544
 800-866-2227 PHONE
 www.tubeliteinc.com

SCES&G

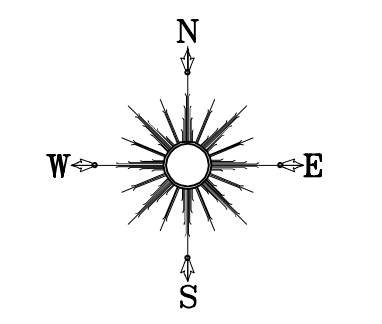
PROJECT NAME: **DEPENDABLE**
 PROJECT ADDRESS:
 CUSTOMER NAME:
 CUSTOMER ADDRESS:

P: 704-588-1976, F: 704-588-9440

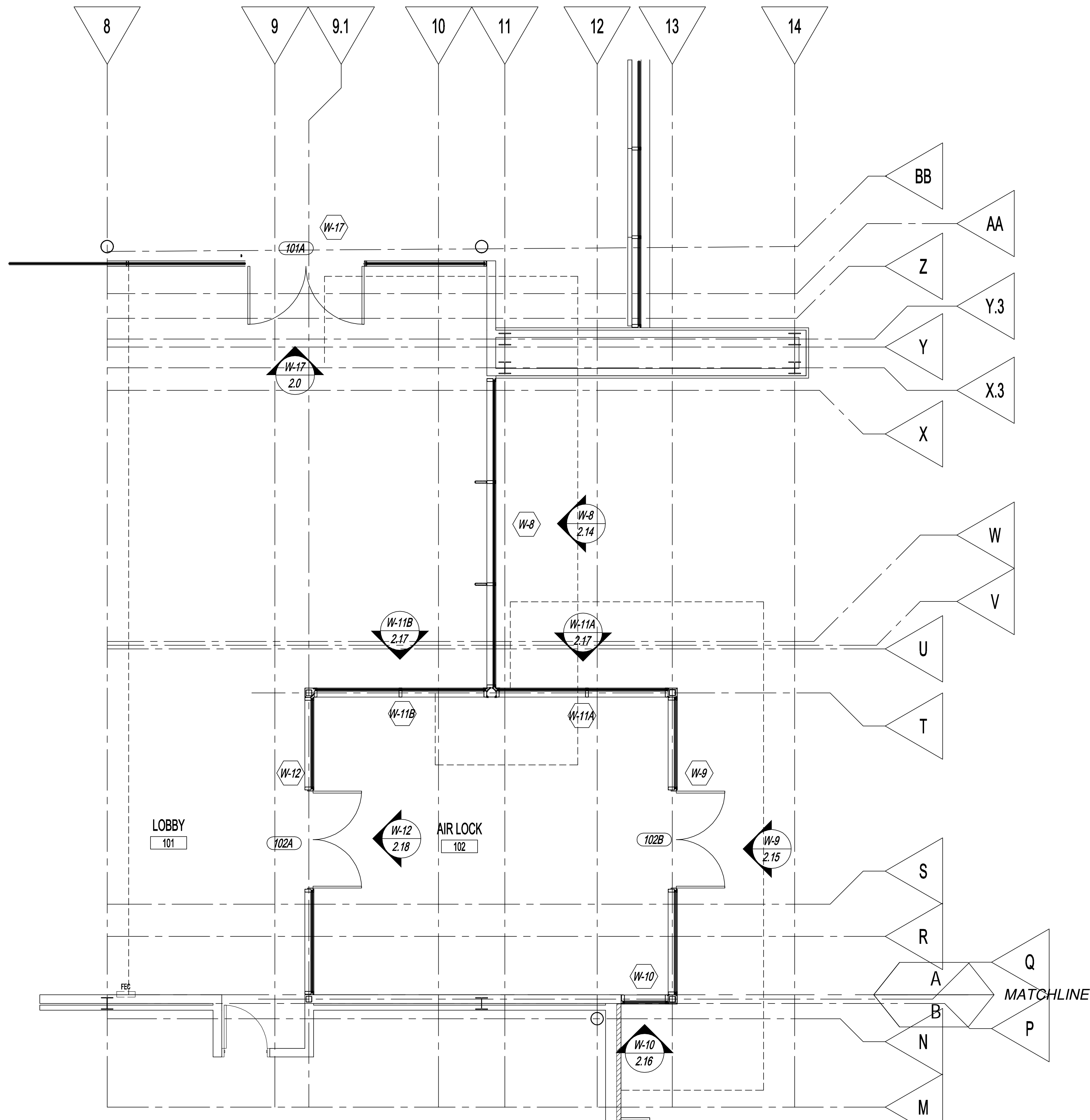
ARCH / G.C. NOTE:
 FLOOR PLANS ARE PROVIDED FOR OPENING TYPE LOCATION ONLY. REFER TO SPECIFIC MARK ELEVATIONS FOR SIZE REFERENCE DIMENSIONING, MULLION SPACING, ETC.



PARTIAL SECOND FLOOR PLAN "B"
 N.T.S. ARCHITECTURAL REFERENCE A2.1B



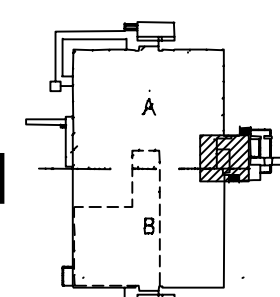
DRAWN BY:	CW	DATE:	9/6/11
CHECKED BY:	JR	DATE:	9/6/11
JOB NAME:	VC SUMMER NUCLEAR		
SHEET NO.:	1.04		



ARCH / G.C. NOTE:

FLOOR PLANS ARE PROVIDED FOR OPENING TYPE LOCATION ONLY. REFER TO SPECIFIC MARK ELEVATIONS FOR SIZE REFERENCE DIMENSIONING, MULLION SPACING, ETC.

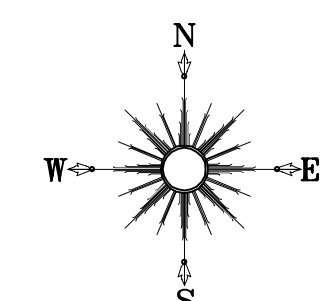
KEY PLAN



VESTIBULE 102 FLOOR PLAN

N.T.S.

ARCHITECTURAL REFERENCE A2.1A



TUBELITE[®] **DEPENDABLE**
 STOREFRONTS & ENTRANCES
 3056 WALKER RIDGE DRIVE, NW, SUITE G
 WALKER, MICHIGAN 49544
 800-866-2227 PHONE
 www.tubeliteinc.com



PROJECT NAME
 PROJECT ADDRESS

CUSTOMER NAME
 CUSTOMER ADDRESS

P: 704-588-1976, F: 704-588-9440

DRAWN BY: CW DATE: 9/6/11

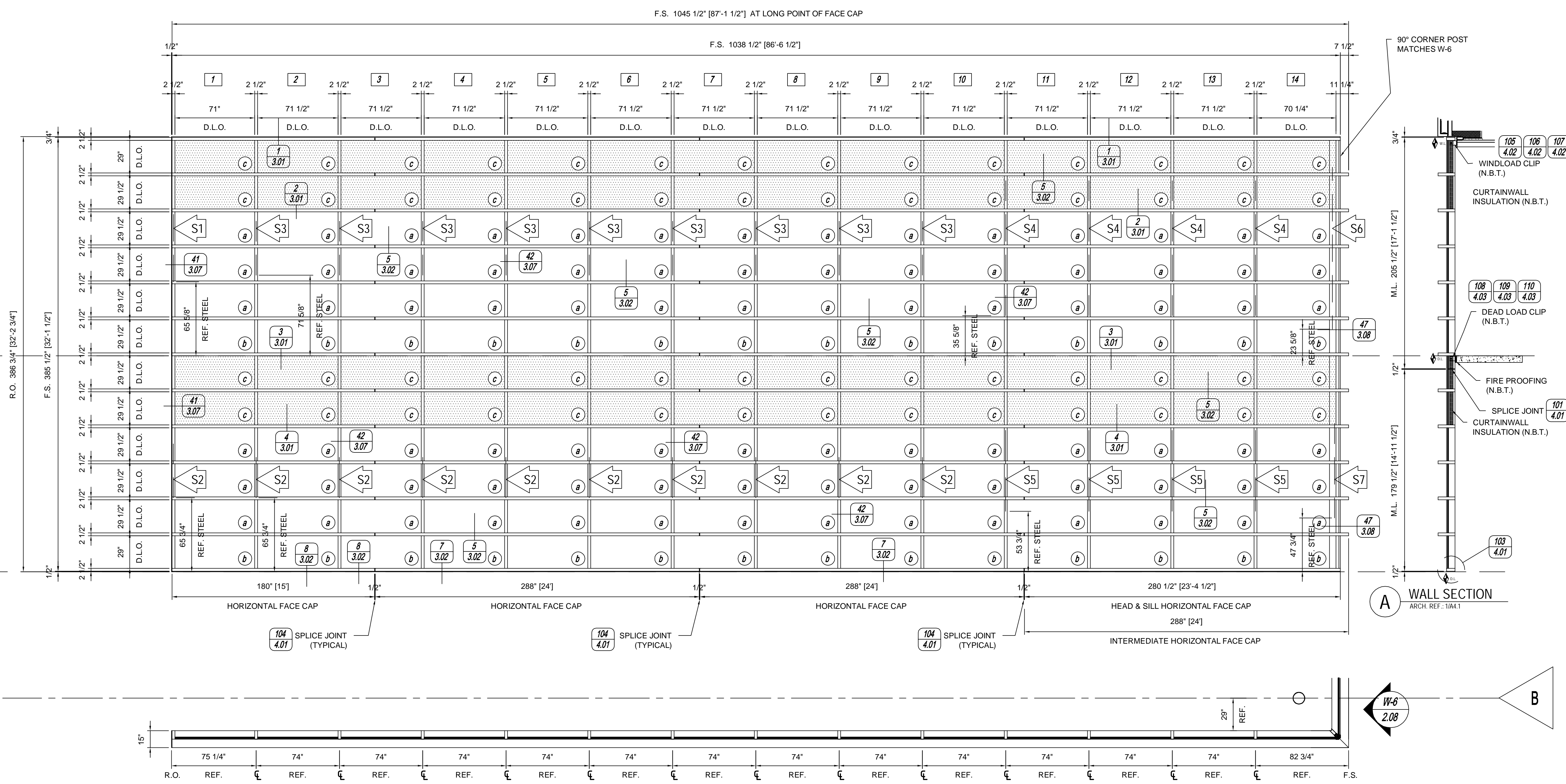
CHECKED BY: JR DATE: 9/6/11

JOB NAME: VC SUMMER NUCLEAR

SHEET NO.: 1.05

NO	DESCRIPTION	DATE
1	1ST. SUBMISSION	9/6/11
2	1ST. SUBMISSION (ENGINEERING CALCS)	11/7/11
3	1ST. REVISION	1/10/12

DRAWING SUBMISSION



- S1 E55TB223 MULLION WITH C4 X 5.4 C-CHANNEL 60" LENGTH (65 5/8" FROM 2ND FINISHED FLOOR)
- S2 E55TB223 MULLION WITH C4 X 5.4 C-CHANNEL 48" LENGTH (65 3/4" FROM 1ST FINISHED FLOOR)
- S3 E55TB223 MULLION WITH C4 X 5.4 C-CHANNEL 48" LENGTH (71 5/8" FROM 2ND FINISHED FLOOR)
- S4 E55TB223 MULLION WITH C4 X 5.4 C-CHANNEL 120" LENGTH (35 5/8" FROM 2ND FINISHED FLOOR)
- S5 E55TB223 MULLION WITH C4 X 5.4 C-CHANNEL 72" LENGTH (53 3/4" FROM 1ST FINISHED FLOOR)
- S6 E6TB70 MULLION WITH C4 X 5.4 C-CHANNEL 144" LENGTH (23 5/8" FROM 2ND FINISHED FLOOR)
- S7 E6TB70 MULLION WITH C4 X 5.4 C-CHANNEL 84" LENGTH (47 3/4" FROM 1ST FINISHED FLOOR)

ELEVATION W1

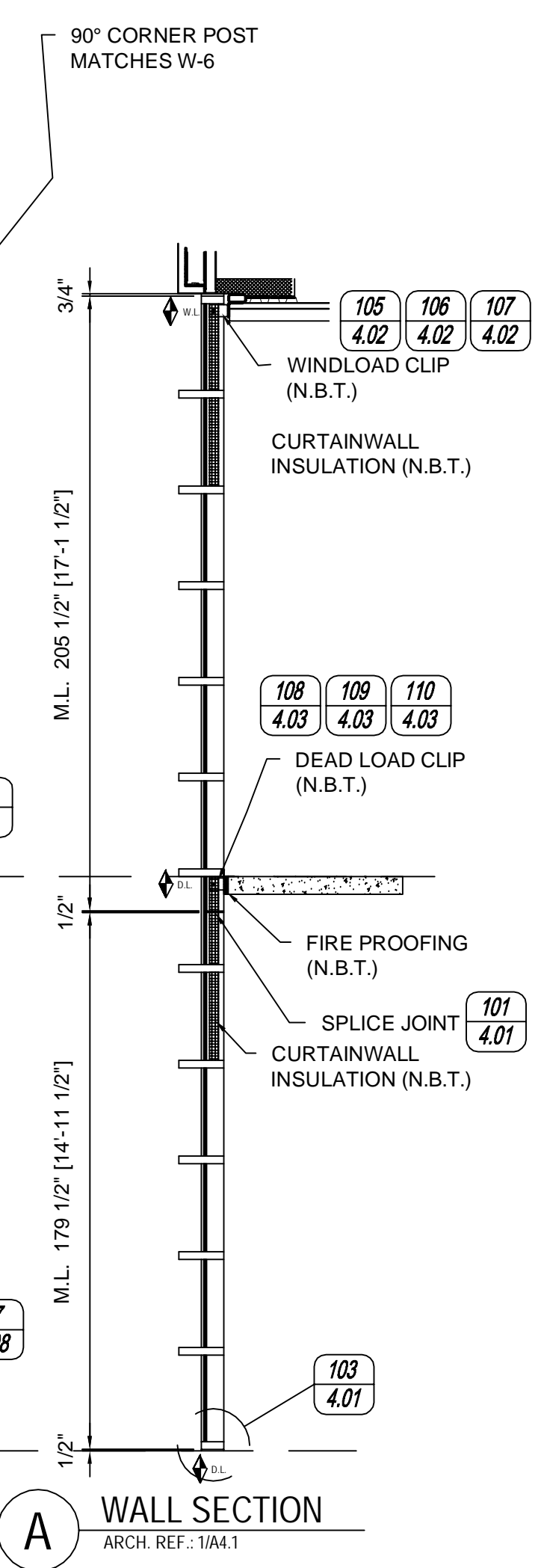
SCALE: 1/4" = 1'-0"

TUBELITE 400 - 2 1/2" x 7 1/2" CURTAINWALL

1" INSULATED GLASS (FRONT SET)

QUANTITY: 1

ARCHITECT / G.C. NOTE:
PLEASE VERIFY ALL DIMENSIONS
FIELD MEASUREMENTS WILL NOT BE TAKEN



NO.	DESCRIPTION	DATE
11012	1ST. REVISION	11/7/11
11711	1ST. SUBMISSION (ENGINEERING CALCS)	9/6/11
9/6/11	1ST. SUBMISSION	
	DRAWING SUBMISSION	

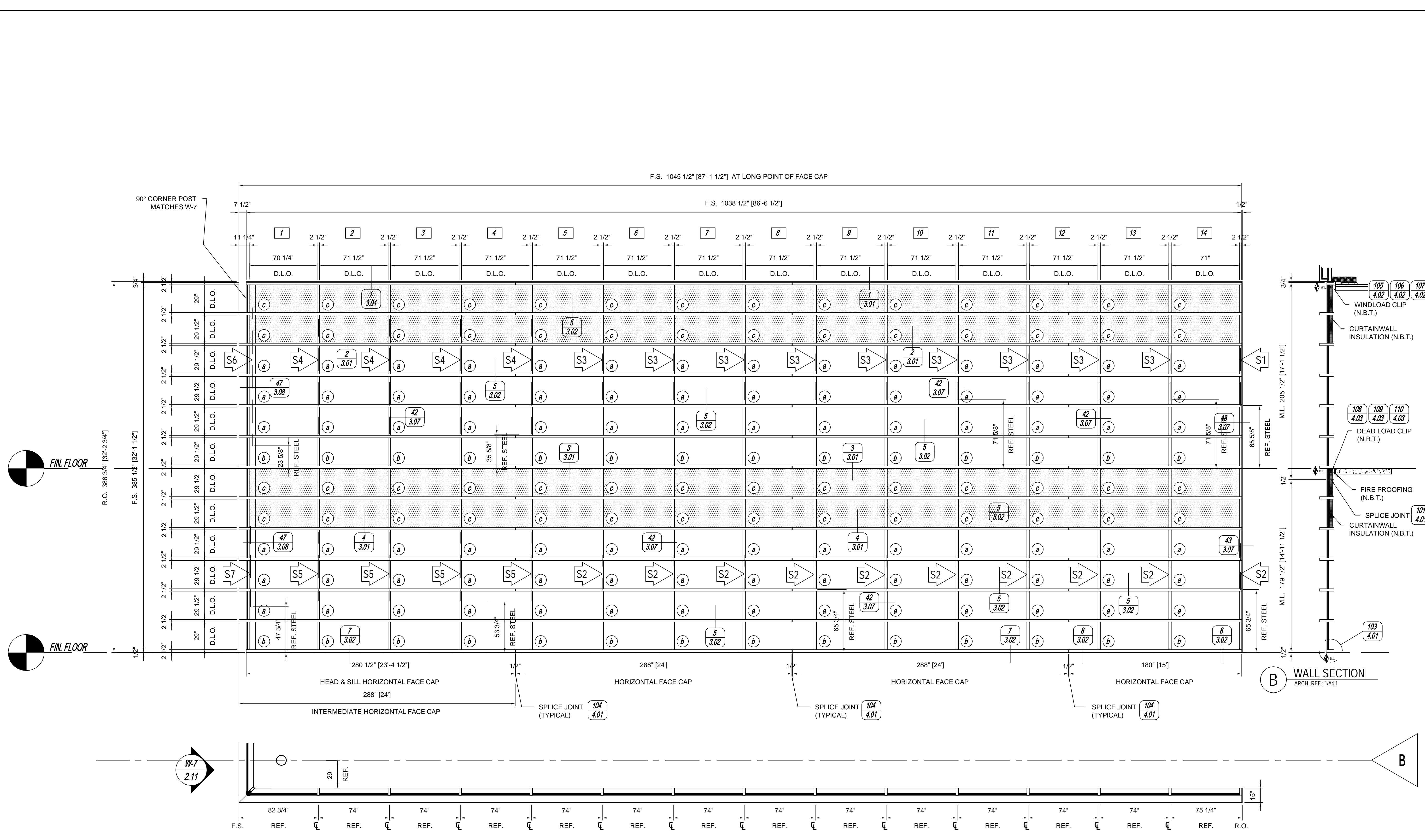
TUBELITE® **DEPENDABLE**
STOREFRONTS & ENTRANCES

3056 WALKER RIDGE DRIVE, NW, SUITE G
WALKER, MICHIGAN 49544
800-866-2227 PHONE
www.tubeliteinc.com



PROJECT:	PROJECT NAME
PROJECT ADDRESS	
CUSTOMER NAME	
CUSTOMER ADDRESS	
DRAWN BY:	CW
CHECKED BY:	JR
DATE:	9/6/11
JOB NAME:	VC SUMMER NUCLEAR
SHEET NO.:	2.01

P: 704-588-1976, F: 704-588-9440



- S1 E55TB223 MULLION WITH C4 X 5.4 C-CHANNEL 60" LENGTH (65 5/8" FROM 2ND FINISHED FLOOR)
- S2 E55TB223 MULLION WITH C4 X 5.4 C-CHANNEL 48" LENGTH (65 3/4" FROM 1ST FINISHED FLOOR)
- S3 E55TB223 MULLION WITH C4 X 5.4 C-CHANNEL 48" LENGTH (71 5/8" FROM 2ND FINISHED FLOOR)
- S4 E55TB223 MULLION WITH C4 X 5.4 C-CHANNEL 120" LENGTH (35 5/8" FROM 2ND FINISHED FLOOR)
- S5 E55TB223 MULLION WITH C4 X 5.4 C-CHANNEL 72" LENGTH (53 3/4" FROM 1ST FINISHED FLOOR)
- S6 E6TB70 MULLION WITH C4 X 5.4 C-CHANNEL 144" LENGTH (23 5/8" FROM 2ND FINISHED FLOOR)
- S7 E6TB70 MULLION WITH C4 X 5.4 C-CHANNEL 84" LENGTH (47 3/4" FROM 1ST FINISHED FLOOR)

ELEVATION W2
 SCALE: 1/4" = 1'-0"
 TUBELITE 400 - 2 1/2" x 7 1/2" CURTAINWALL
 1" INSULATED GLASS (FRONT SET)
 QUANTITY: 1

ARCHITECT / G.C. NOTE:
 PLEASE VERIFY ALL DIMENSIONS
 FIELD MEASUREMENTS WILL NOT BE TAKEN

NO	DESCRIPTION	DATE
1ST. SUBMISSION	1ST. SUBMISSION (ENGINEERING CALCS)	9/6/11
1ST. REVISION	1ST. SUBMISSION (ENGINEERING CALCS)	11/7/11
17/012		1/10/12

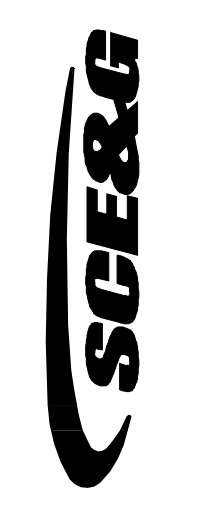
TUBELITE®
 STOREFRONTS & ENTRANCES
DEPENDABLE
 3056 WALKER RIDGE DRIVE, NW, SUITE G
 WALKER, MICHIGAN 49544
 800-866-2227 PHONE
 www.tubeliteinc.com

PROJECT NAME	PROJECT ADDRESS
CUSTOMER NAME	CUSTOMER ADDRESS
PROJECT:	VC SUMMER NUCLEAR
DRAWN BY:	CW
CHECKED BY:	JR
DATE:	9/6/11
SHEET NO.:	2.02

P: 704-588-1976, F: 704-588-9440

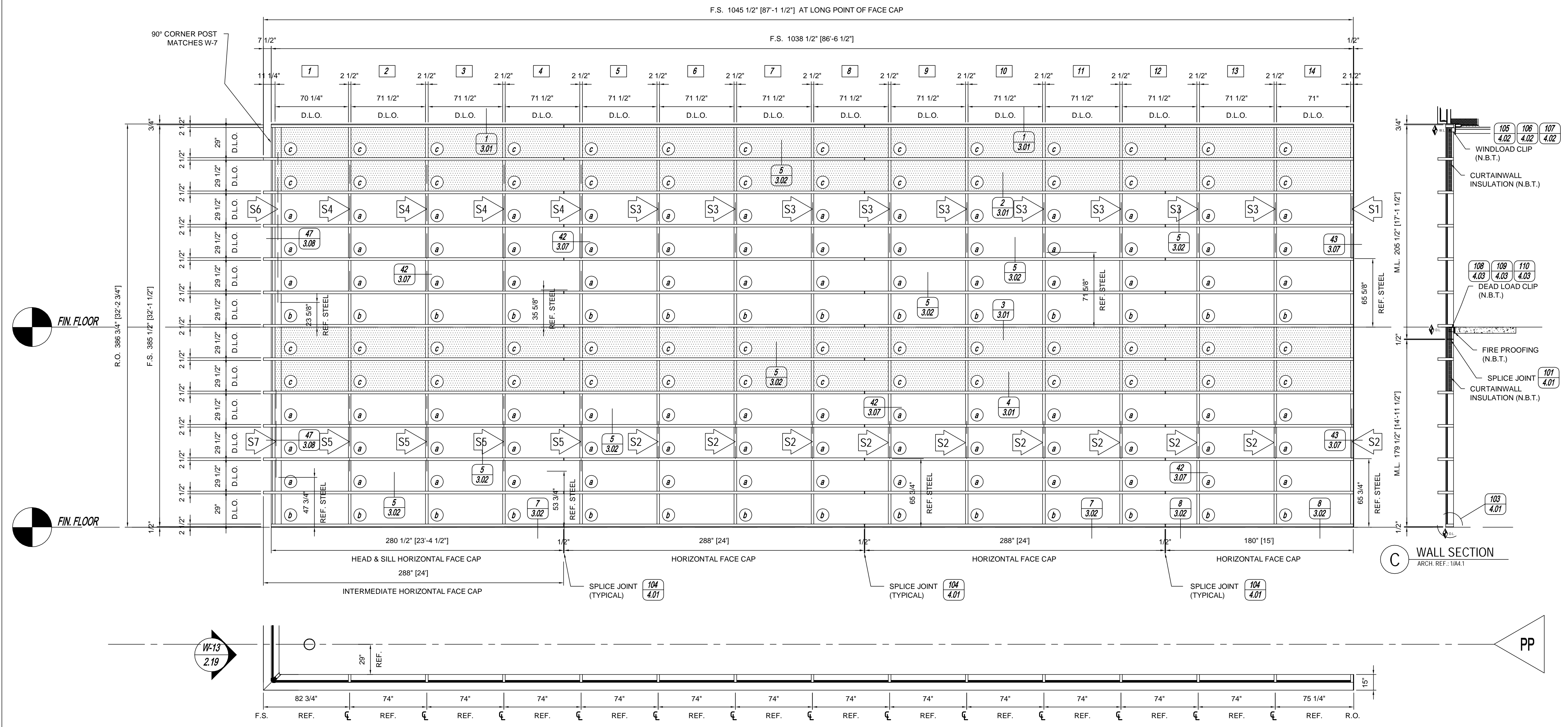
1/10/12	1/17/11	9/6/11	DATE
1ST. REVISION	1ST. SUBMISSION (ENGINEERING CALCS)	1ST. SUBMISSION	DESCRIPTION
			DRAWING SUBMISSION

TUBELITE[®] **DEPENDABLE**
 STOREFRONTS & ENTRANCES
 3056 WALKER RIDGE DRIVE, NW, SUITE G
 WALKER, MICHIGAN 49544
 800-866-2227 PHONE
 www.tubeliteinc.com



P: 704-588-1976, F: 704-588-9440

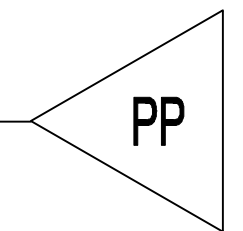
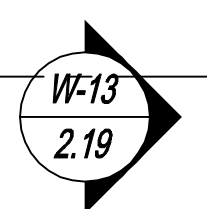
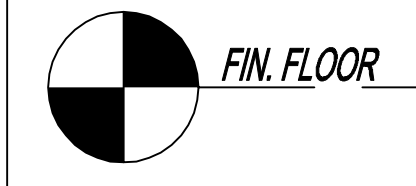
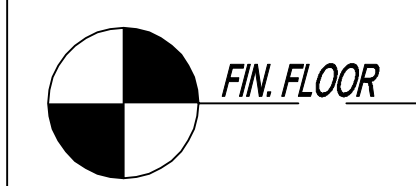
PROJECT NAME	PROJECT ADDRESS
CUSTOMER NAME	CUSTOMER ADDRESS
VC SUMMER NUCLEAR	
SHEET NO: 2.03	

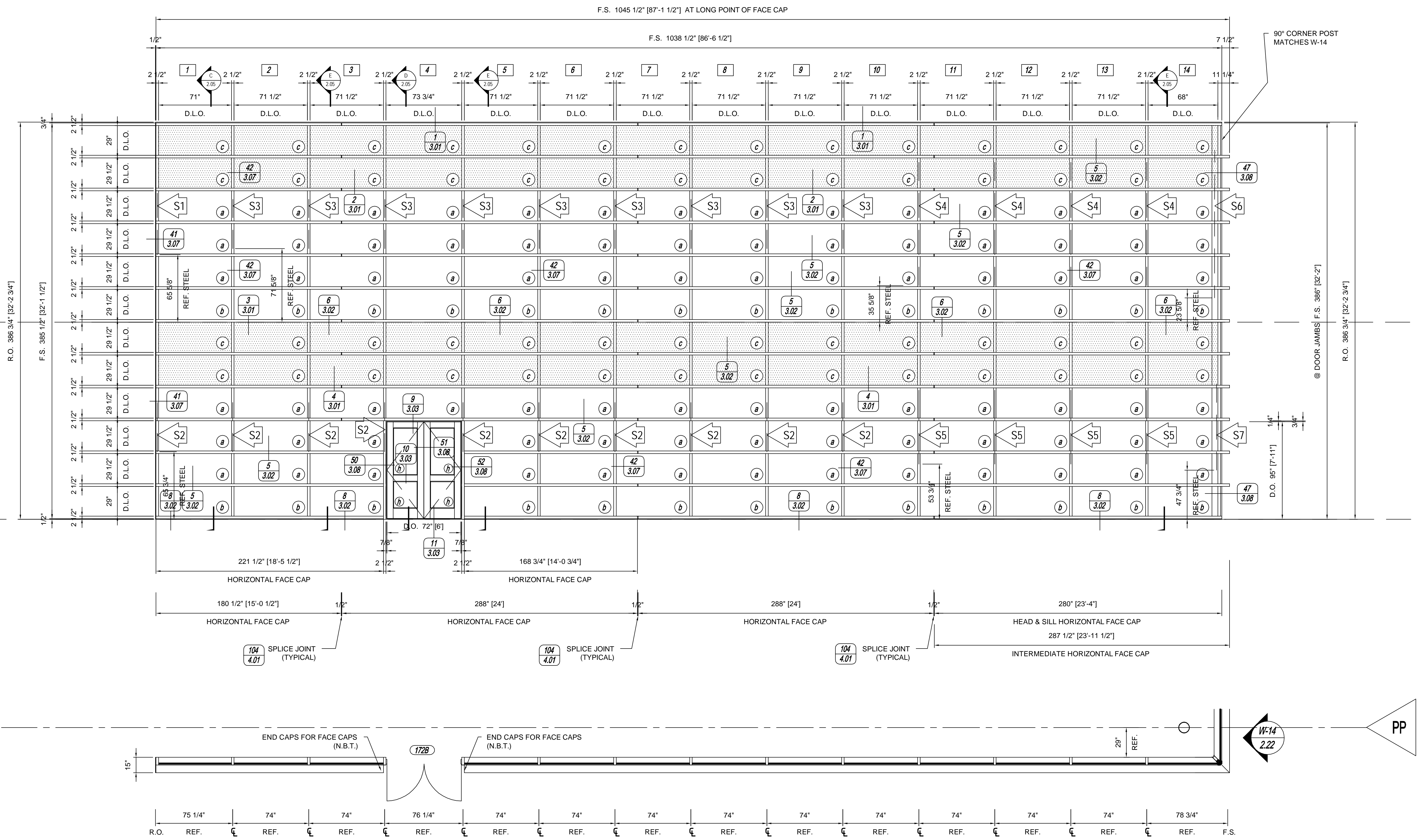
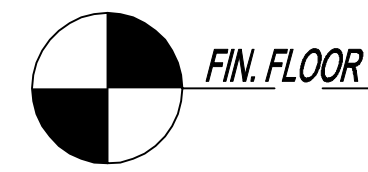
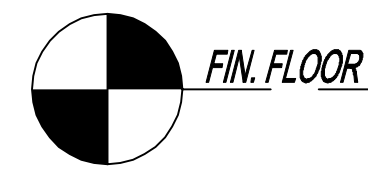


- S1 E55TB223 MULLION WITH C4 X 5.4 C-CHANNEL 60" LENGTH (65 5/8" FROM 2ND FINISHED FLOOR)
- S2 E55TB223 MULLION WITH C4 X 5.4 C-CHANNEL 48" LENGTH (65 3/4" FROM 1ST FINISHED FLOOR)
- S3 E55TB223 MULLION WITH C4 X 5.4 C-CHANNEL 48" LENGTH (71 5/8" FROM 2ND FINISHED FLOOR)
- S4 E55TB223 MULLION WITH C4 X 5.4 C-CHANNEL 120" LENGTH (35 5/8" FROM 2ND FINISHED FLOOR)
- S5 E55TB223 MULLION WITH C4 X 5.4 C-CHANNEL 72" LENGTH (53 3/4" FROM 1ST FINISHED FLOOR)
- S6 E6TB70 MULLION WITH C4 X 5.4 C-CHANNEL 144" LENGTH (23 5/8" FROM 2ND FINISHED FLOOR)
- S7 E6TB70 MULLION WITH C4 X 5.4 C-CHANNEL 84" LENGTH (47 3/4" FROM 1ST FINISHED FLOOR)

ELEVATION W2A
 SCALE: 1/4" = 1'-0"
 TUBELITE 400 - 2 1/2" x 7 1/2" CURTAINWALL
 1" INSULATED GLASS (FRONT SET)
 QUANTITY: 1

ARCHITECT / G.C. NOTE:
 PLEASE VERIFY ALL DIMENSIONS
 FIELD MEASUREMENTS WILL NOT BE TAKEN





- S1 E55TB223 MULLION WITH C4 X 5.4 C-CHANNEL 60" LENGTH (65 5/8" FROM 2ND FINISHED FLOOR)
- S2 E55TB223 MULLION WITH C4 X 5.4 C-CHANNEL 48" LENGTH (65 3/4" FROM 1ST FINISHED FLOOR)
- S3 E55TB223 MULLION WITH C4 X 5.4 C-CHANNEL 48" LENGTH (71 5/8" FROM 2ND FINISHED FLOOR)
- S4 E55TB223 MULLION WITH C4 X 5.4 C-CHANNEL 120" LENGTH (35 5/8" FROM 2ND FINISHED FLOOR)
- S5 E55TB223 MULLION WITH C4 X 5.4 C-CHANNEL 72" LENGTH (53 3/4" FROM 1ST FINISHED FLOOR)
- S6 E6TB70 MULLION WITH C4 X 5.4 C-CHANNEL 144" LENGTH (23 5/8" FROM 2ND FINISHED FLOOR)
- S7 E6TB70 MULLION WITH C4 X 5.4 C-CHANNEL 84" LENGTH (47 3/4" FROM 1ST FINISHED FLOOR)

ELEVATION W3
 SCALE: 1/4" = 1'-0"
 TUBELITE 400 - 2 1/2" x 7 1/2" CURTAINWALL
 1" INSULATED GLASS (FRONT SET)
 QUANTITY: 1

ARCHITECT / G.C. NOTE:
 PLEASE VERIFY ALL DIMENSIONS
 FIELD MEASUREMENTS WILL NOT BE TAKEN

TUBELITE
 STOREFRONTS & ENTRANCES
DEPENDABLE
 3056 WALKER RIDGE DRIVE, NW, SUITE G
 WALKER, MICHIGAN 49544
 800-866-2227 PHONE
 www.tubeliteinc.com



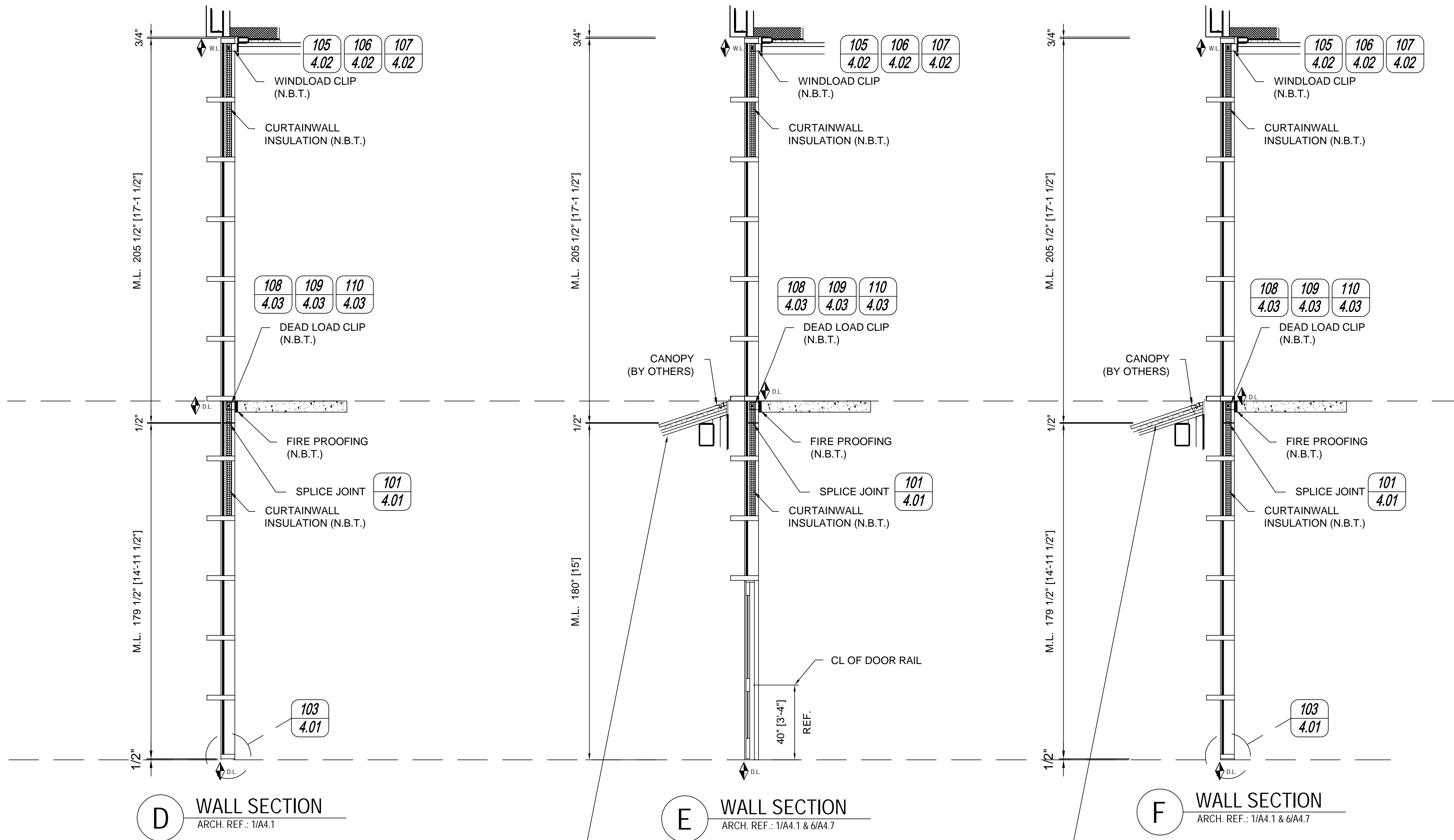
PROJECT NAME
 PROJECT ADDRESS
 CUSTOMER NAME
 CUSTOMER ADDRESS

PROJECT:	DATE:
DRAWN BY: CW	9/6/11
CHECKED BY: JR	9/6/11
JOB NAME:	VC SUMMER NUCLEAR
SHEET NO.:	2.04

NO.	DESCRIPTION	DATE
1ST. REVISION		1/10/12
1ST. SUBMISSION (ENGINEERING CALCS)		11/7/11
1ST. SUBMISSION		9/6/11

P: 704-588-1976, F: 704-588-9440

DRAWING SUBMISSION



GC: CURTAINWALL FRAMING AND GLASS WILL NEED TO BE INSTALLED PRIOR TO CANOPY INSTALLATION. PLEASE COORDINATE WITH ALL TRADES.

GC: CURTAINWALL FRAMING AND GLASS WILL NEED TO BE INSTALLED PRIOR TO CANOPY INSTALLATION. PLEASE COORDINATE WITH ALL TRADES.

ELEVATION W3
 SCALE: 3/8" = 1'-0"
 TUBELITE 400 - 2 1/2" x 7 1/2" CURTAINWALL
 1" INSULATED GLASS (FRONT SET)
 QUANTITY: 1

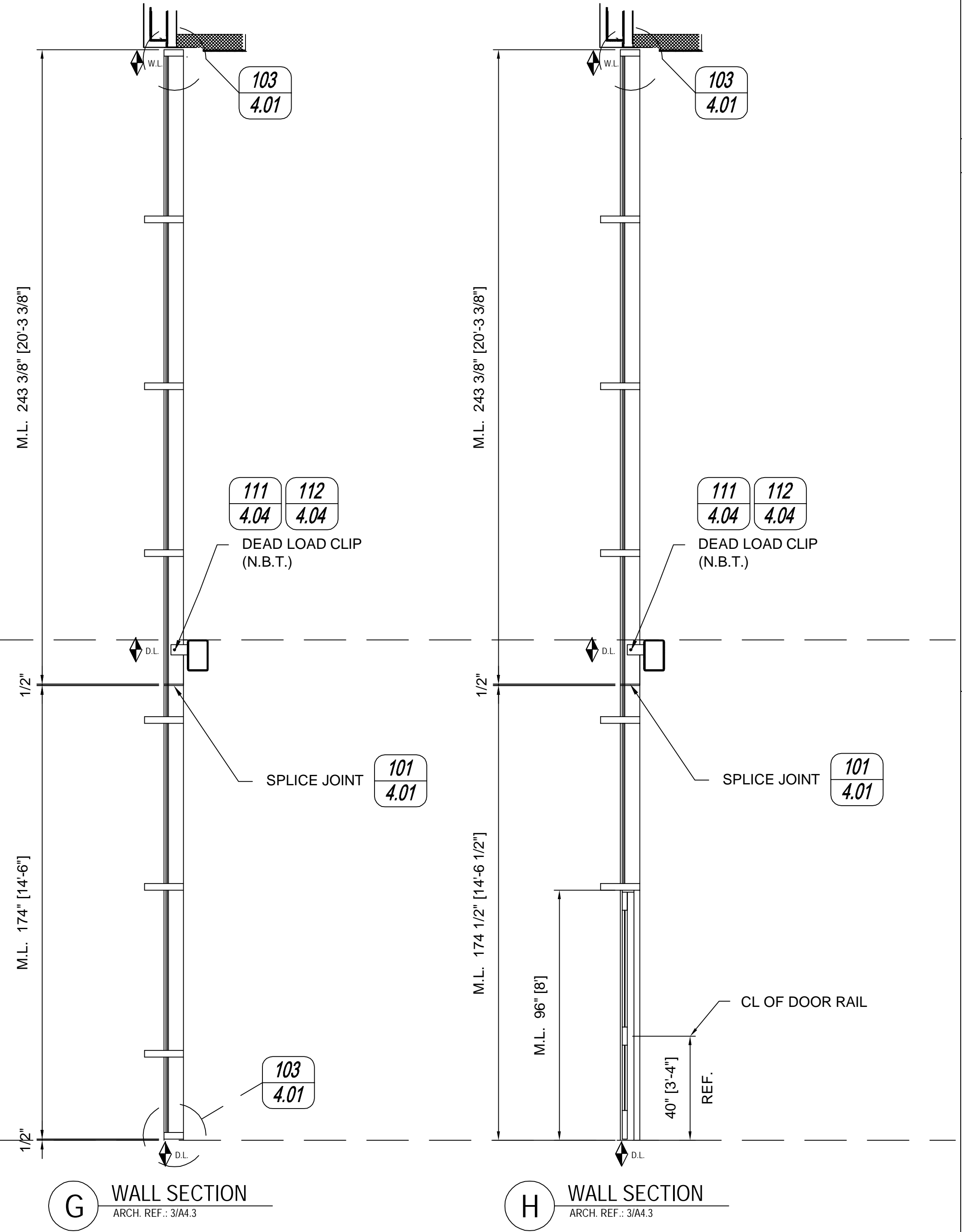
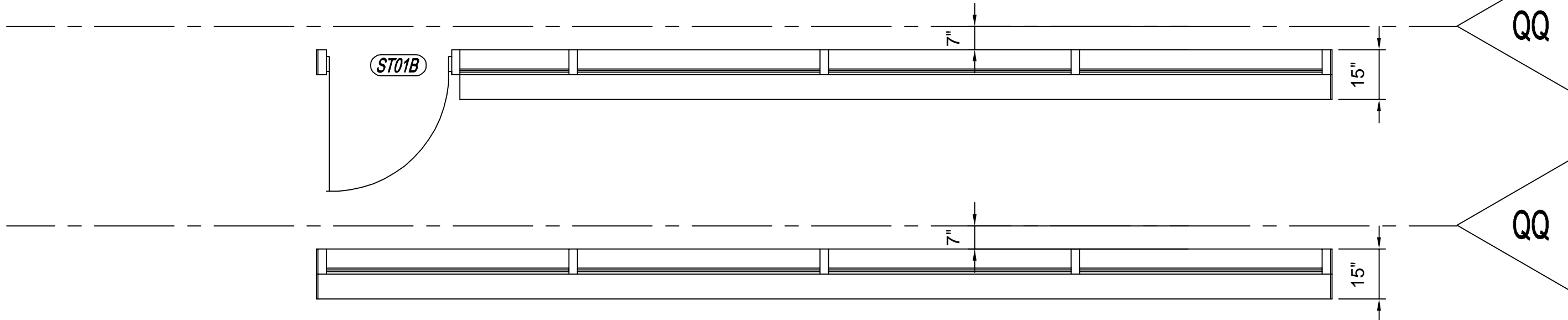
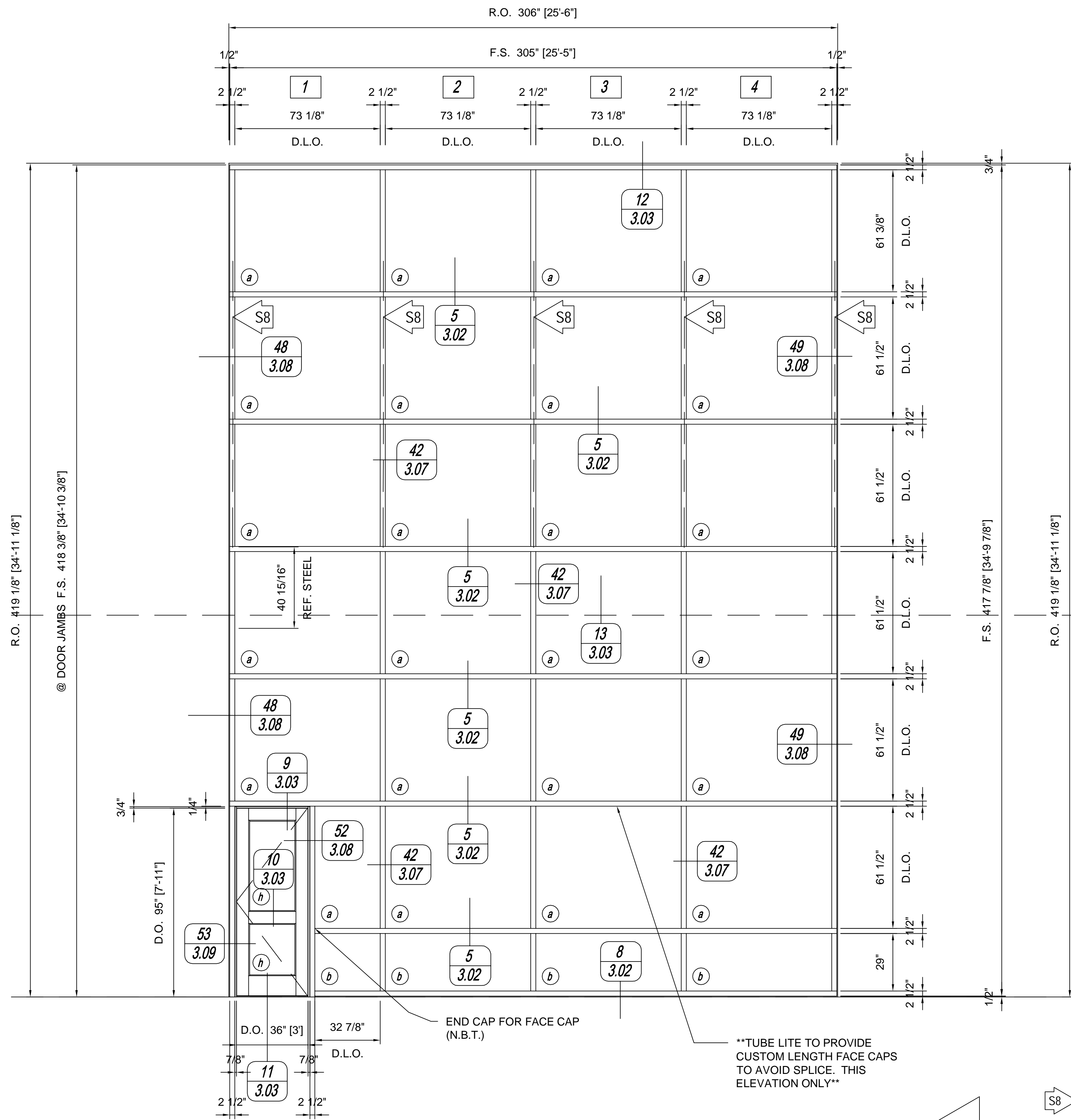
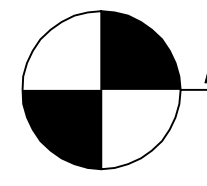
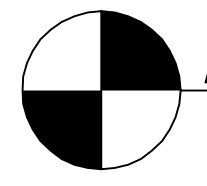
NO	DESCRIPTION	DATE
1ST. SUBMISSION	11/7/11	9/6/11
1ST. SUBMISSION (ENGINEERING CALCS)	11/7/11	9/6/11
1ST. REVISION	1/10/12	

TUBELITE® **DEPENDABLE**
 STOREFRONTS & ENTRANCES
 3056 WALKER RIDGE DRIVE, NW, SUITE G
 WALKER, MICHIGAN 49544
 800-866-2227 PHONE
 www.tubeliteinc.com



PROJECT NAME	VC SUMMER NUCLEAR
PROJECT ADDRESS	
CUSTOMER NAME	
CUSTOMER ADDRESS	
SHEET NO:	2.05

P: 704-588-1976, F: 704-588-9440



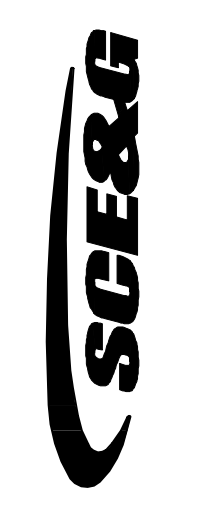
S8 E55TB223 MULLION WITH 1" X 4 1/2 BAR STOCK 144" LENGTH (40 15/16" FROM MID POINT ANCHOR)

ELEVATION W5
 SCALE: 3/8" = 1'-0"
 TUBELITE 400 - 2 1/2" x 7 1/2" CURTAINWALL
 1" INSULATED GLASS (FRONT SET)
 QUANTITY: 1

ARCHITECT / G.C. NOTE:
 PLEASE VERIFY ALL DIMENSIONS
 FIELD MEASUREMENTS WILL NOT BE TAKEN

NO.	DESCRIPTION	DATE
1/10/12	1ST. REVISION	
11/7/11	1ST. SUBMISSION (ENGINEERING CALCS)	
9/6/11	1ST. SUBMISSION	

TUBELITE® **DEPENDABLE**
 STOREFRONTS & ENTRANCES
 3056 WALKER RIDGE DRIVE, NW, SUITE G
 WALKER, MICHIGAN 49544
 800-866-2227 PHONE
 www.tubeliteinc.com



PROJECT:	PROJECT NAME
DRAWN BY:	PROJECT ADDRESS
CHECKED BY:	PROJECT ADDRESS
JOB NAME:	CUSTOMER NAME
SHEET NO.:	CUSTOMER ADDRESS
	P: 704-588-1976, F: 704-588-9440
	2.07

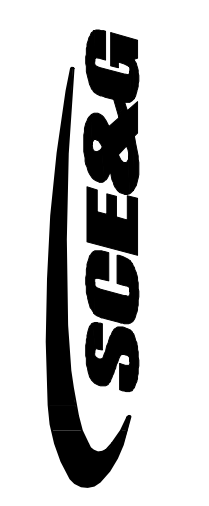
PAGE 2.09

PAGE 2.10



ELEVATION W6
 SCALE: N.T.S.
 TUBELITE 400 - 2 1/2" x 7 1/2" CURTAINWALL
 1" INSULATED GLASS (FRONT SET)
 QUANTITY: 1

TUBELITE[®] **DEPENDABLE**
 STOREFRONTS & ENTRANCES
 3056 WALKER RIDGE DRIVE, NW, SUITE G
 WALKER, MICHIGAN 49544
 800-866-2227 PHONE
 www.tubeliteinc.com



PROJECT:	PROJECT NAME
DRAWN BY:	PROJECT ADDRESS
CHECKED BY:	CUSTOMER NAME
DATE:	CUSTOMER ADDRESS
JOB NAME:	VC SUMMER NUCLEAR
SHEET NO.:	2.08

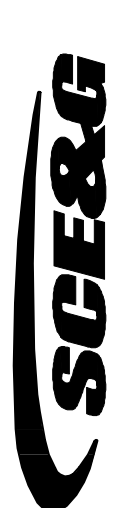
NO.	DESCRIPTION	DATE
1	1ST. SUBMISSION	9/6/11
2	1ST. SUBMISSION (ENGINEERING CALCS)	11/7/11
3	1ST. REVISION	1/10/12

DRAWING SUBMISSION

P: 704-588-1976, F: 704-588-9440

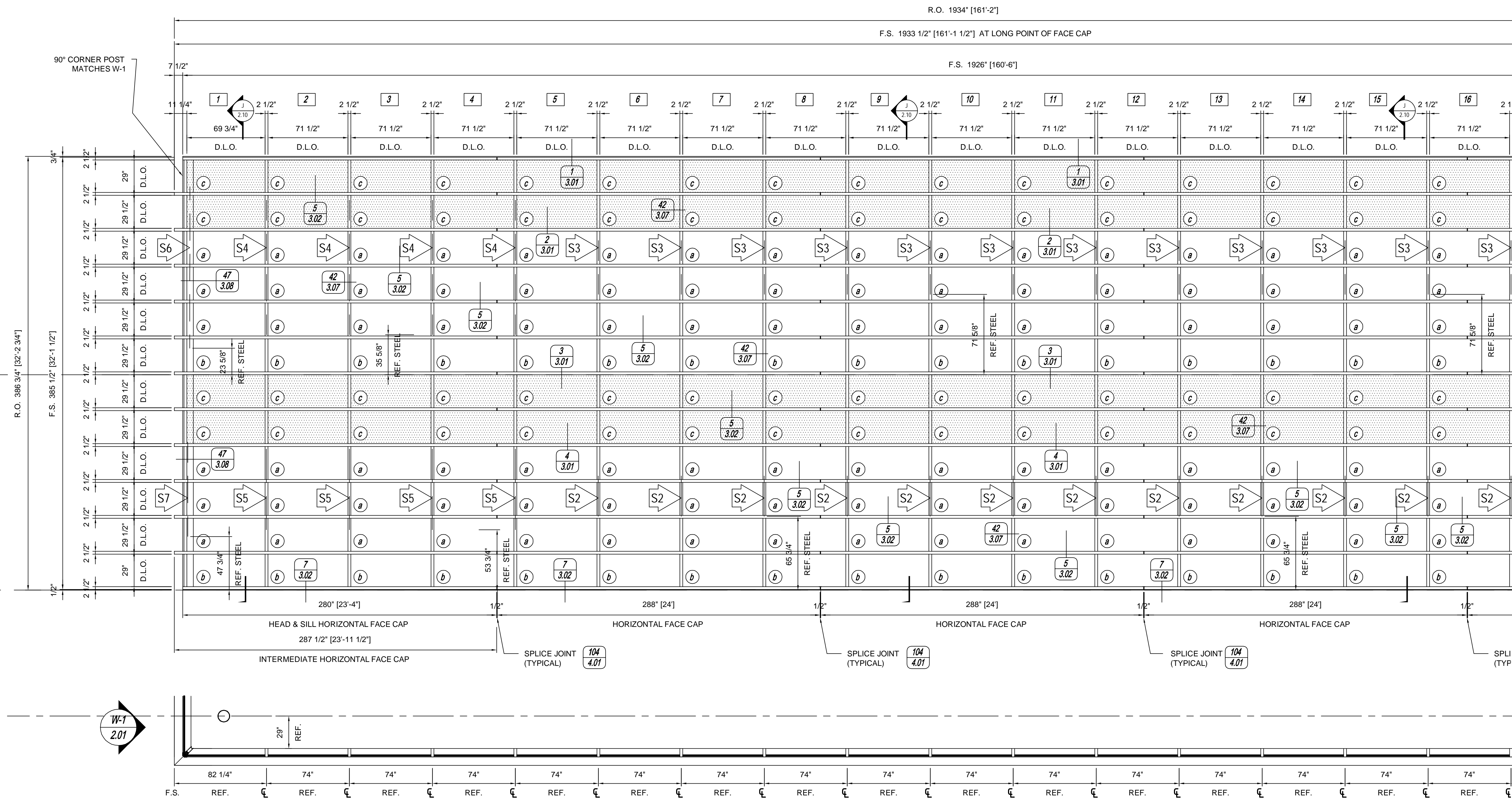
NO.	DESCRIPTION	DATE
1ST. REVISION		1/10/12
1ST. SUBMISSION (ENGINEERING CALCS)		11/7/11
1ST. SUBMISSION		9/6/11

TUBELITE
 STOREFRONTS & ENTRANCES
DEPENDABLE
 3056 WALKER RIDGE DRIVE, NW, SUITE G
 WALKER, MICHIGAN 49544
 800-866-2227 PHONE
 www.tubeliteinc.com



P: 704-588-1976, F: 704-588-9440

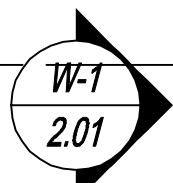
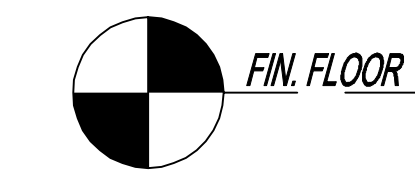
PROJECT NAME	VC SUMMER NUCLEAR
PROJECT ADDRESS	
CUSTOMER NAME	
CUSTOMER ADDRESS	
DRAWN BY	CW
CHECKED BY	JR
DATE	9/6/11
JOB NAME	VC SUMMER NUCLEAR
SHEET NO.	2.09

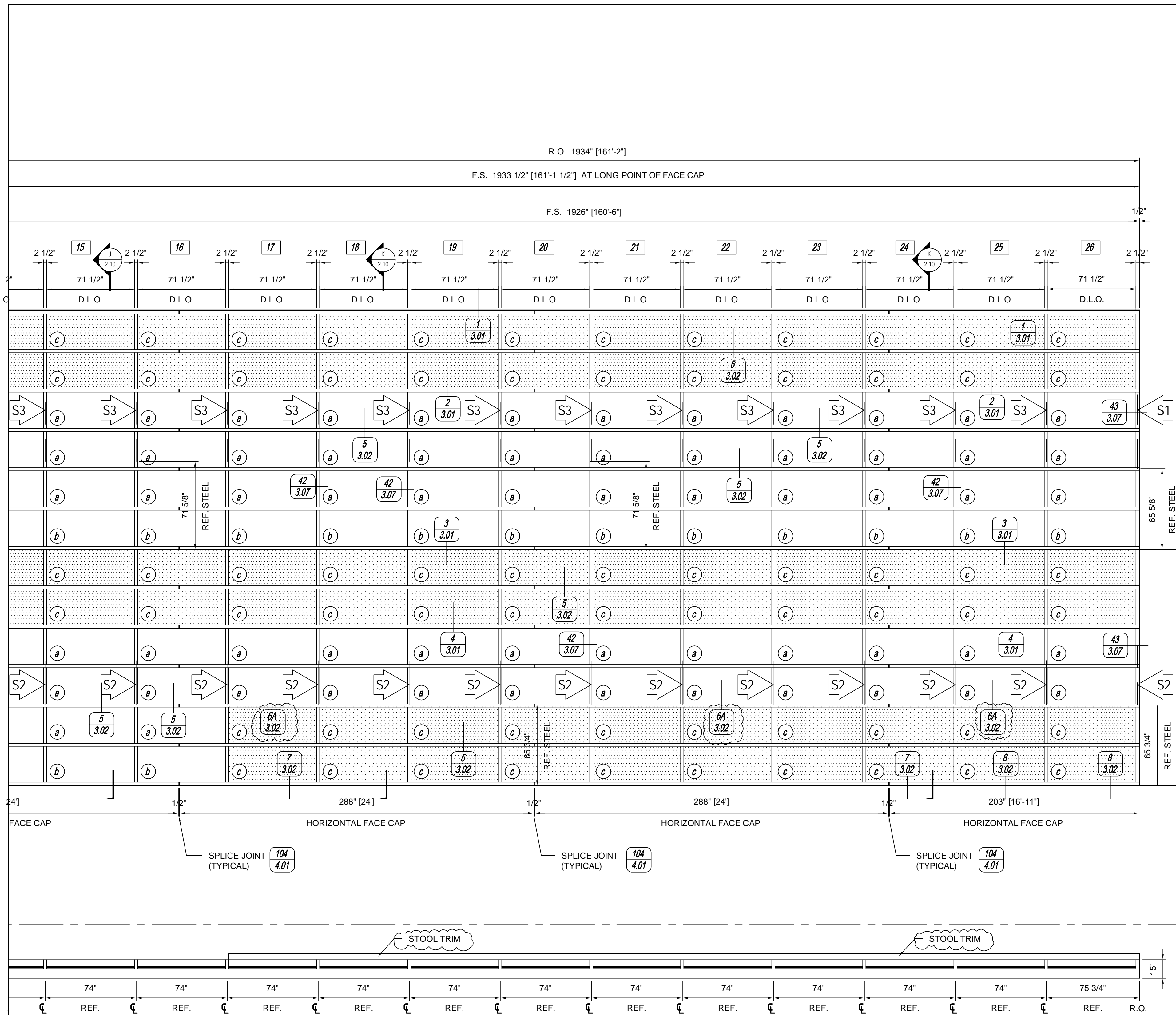


- S1 E55TB223 MULLION WITH C4 X 5.4 C-CHANNEL 60" LENGTH (65 5/8" FROM 2ND FINISHED FLOOR)
- S2 E55TB223 MULLION WITH C4 X 5.4 C-CHANNEL 48" LENGTH (65 3/4" FROM 1ST FINISHED FLOOR)
- S3 E55TB223 MULLION WITH C4 X 5.4 C-CHANNEL 48" LENGTH (71 5/8" FROM 2ND FINISHED FLOOR)
- S4 E55TB223 MULLION WITH C4 X 5.4 C-CHANNEL 120" LENGTH (35 5/8" FROM 2ND FINISHED FLOOR)
- S5 E55TB223 MULLION WITH C4 X 5.4 C-CHANNEL 72" LENGTH (53 3/4" FROM 1ST FINISHED FLOOR)
- S6 E6TB70 MULLION WITH C4 X 5.4 C-CHANNEL 144" LENGTH (23 5/8" FROM 2ND FINISHED FLOOR)
- S7 E6TB70 MULLION WITH C4 X 5.4 C-CHANNEL 84" LENGTH (47 3/4" FROM 1ST FINISHED FLOOR)

ELEVATION W6
 SCALE: 1/4" = 1'-0"
 TUBELITE 400 - 2 1/2" x 7 1/2" CURTAINWALL
 1" INSULATED GLASS (FRONT SET)
 QUANTITY: 1

ARCHITECT / G.C. NOTE:
 PLEASE VERIFY ALL DIMENSIONS
 FIELD MEASUREMENTS WILL NOT BE TAKEN

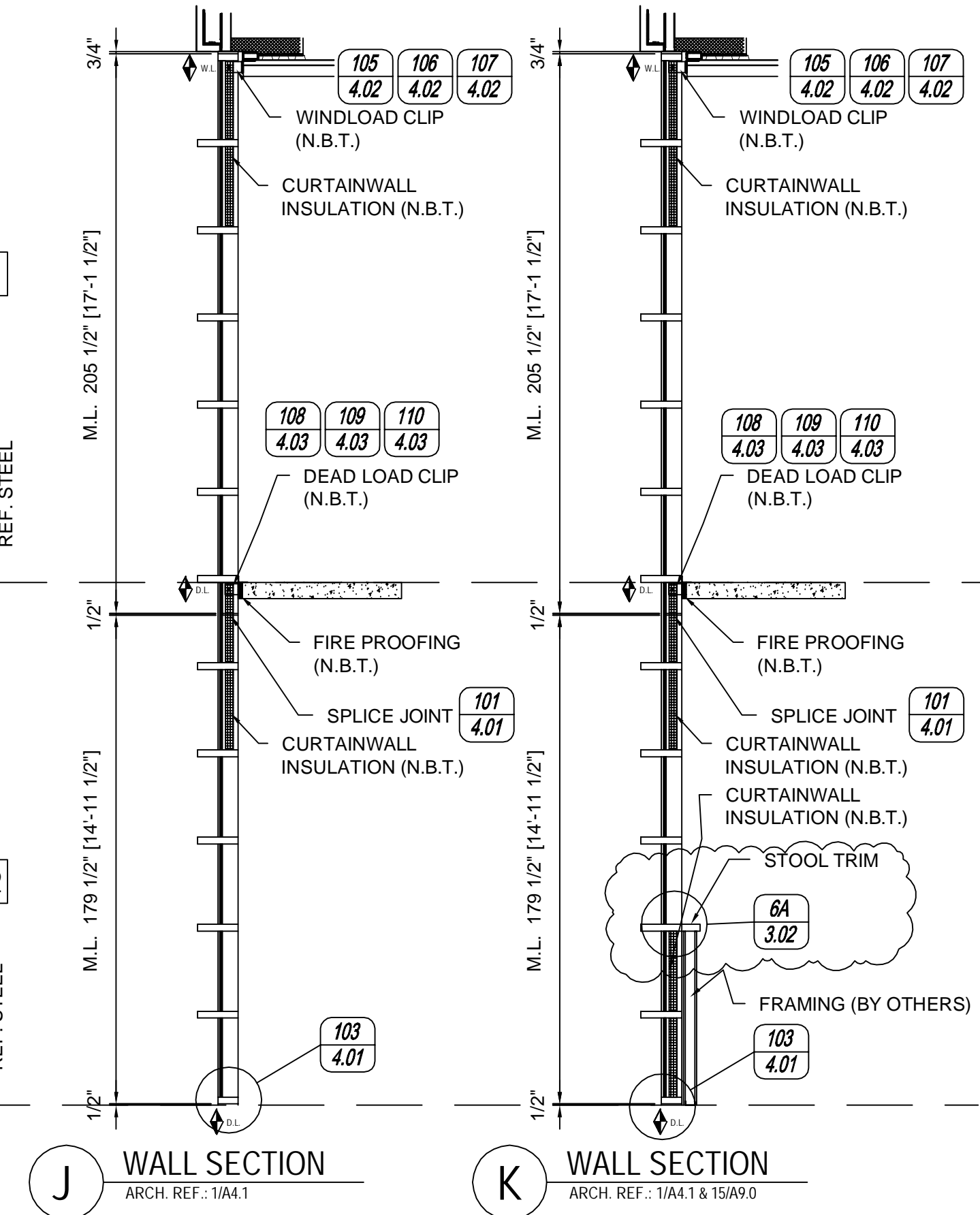




ELEVATION W6
 SCALE: 1/4" = 1'-0"
 TUBELITE 400 - 2 1/2" x 7 1/2" CURTAINWALL
 1" INSULATED GLASS (FRONT SET)
 QUANTITY: 1

ARCHITECT / G.C. NOTE:
 PLEASE VERIFY ALL DIMENSIONS
 FIELD MEASUREMENTS WILL NOT BE TAKEN

- S1 E55TB223 MULLION WITH C4 X 5.4 C-CHANNEL 60" LENGTH (65 5/8" FROM 2ND FINISHED FLOOR)
- S2 E55TB223 MULLION WITH C4 X 5.4 C-CHANNEL 48" LENGTH (65 3/4" FROM 1ST FINISHED FLOOR)
- S3 E55TB223 MULLION WITH C4 X 5.4 C-CHANNEL 48" LENGTH (71 5/8" FROM 2ND FINISHED FLOOR)
- S4 E55TB223 MULLION WITH C4 X 5.4 C-CHANNEL 120" LENGTH (35 5/8" FROM 2ND FINISHED FLOOR)
- S5 E55TB223 MULLION WITH C4 X 5.4 C-CHANNEL 72" LENGTH (53 3/4" FROM 1ST FINISHED FLOOR)
- S6 E6TB70 MULLION WITH C4 X 5.4 C-CHANNEL 144" LENGTH (23 5/8" FROM 2ND FINISHED FLOOR)
- S7 E6TB70 MULLION WITH C4 X 5.4 C-CHANNEL 84" LENGTH (47 3/4" FROM 1ST FINISHED FLOOR)



NO	DESCRIPTION	DATE
1ST. SUBMISSION	11/7/11	9/6/11
1ST. SUBMISSION (ENGINEERING CALCS)	11/7/11	9/6/11
1ST. REVISION	1/10/12	

TUBELITE [®] **DEPENDABLE**
 STOREFRONTS & ENTRANCES
 3056 WALKER RIDGE DRIVE, NW, SUITE G
 WALKER, MICHIGAN 49544
 800-866-2227 PHONE
 www.tubeliteinc.com



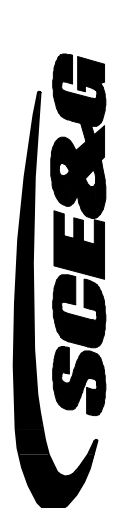
PROJECT:	PROJECT NAME
DRAWN BY:	PROJECT ADDRESS
CHECKED BY:	CUSTOMER NAME
JOB NAME:	CUSTOMER ADDRESS
SHEET NO:	2.10

P: 704-588-1976, F: 704-588-9440

DRAWING SUBMISSION

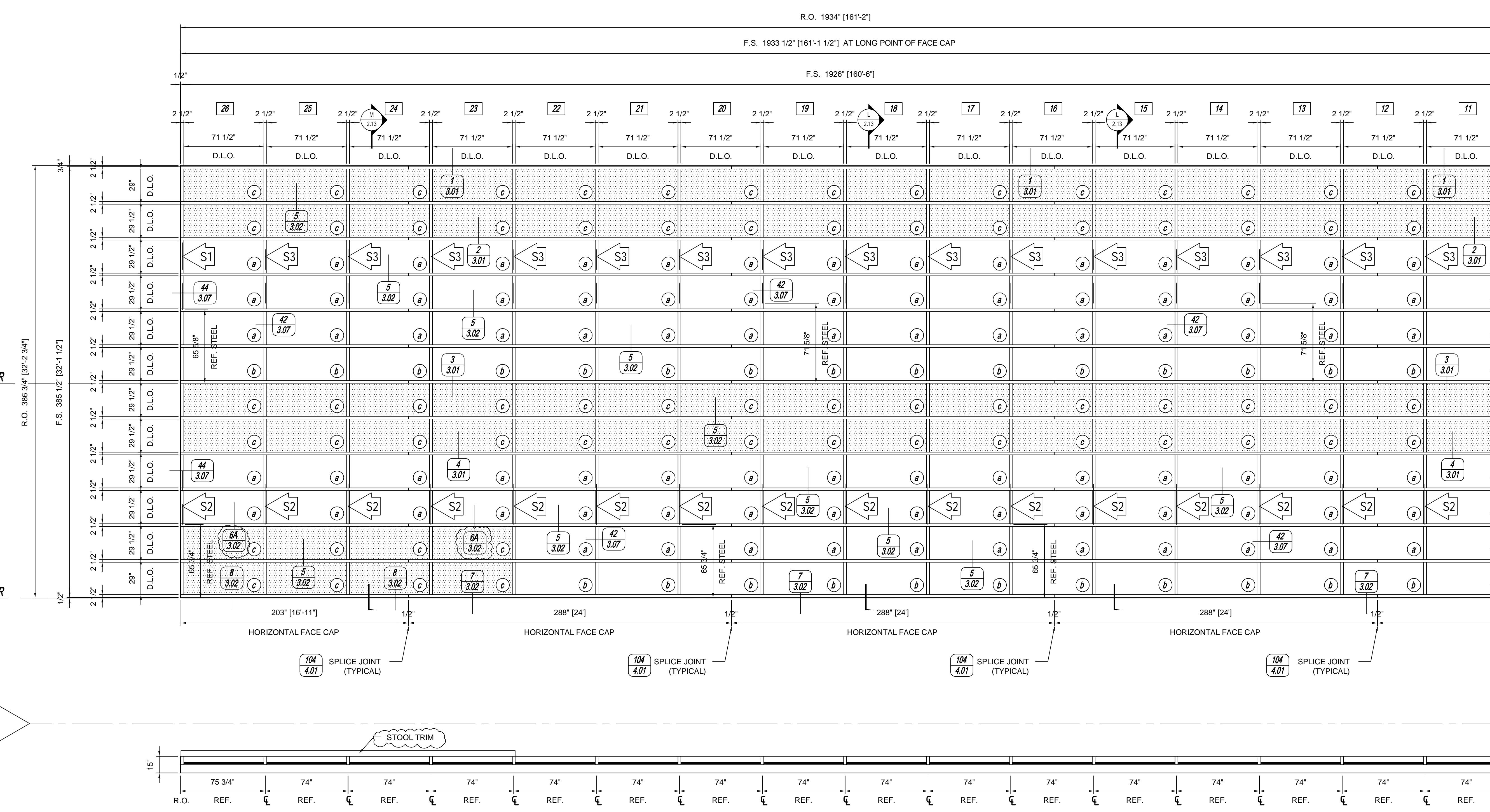
1/0/12	1/10/12
1/17/11	1/17/11
9/6/11	9/6/11
NO	NO

TUBELITE
 STOREFRONTS & ENTRANCES
 3056 WALKER RIDGE DRIVE, NW, SUITE G
 WALKER, MICHIGAN 49544
 800-866-2227 PHONE
 www.tubeliteinc.com



PROJECT NAME	VC SUMMER NUCLEAR
PROJECT ADDRESS	
CUSTOMER NAME	
CUSTOMER ADDRESS	
DRAWN BY	CW
CHECKED BY	JR
DATE	9/6/11
JOB NAME	
SHEET NO.	2.12

P: 704-588-1976, F: 704-588-9440



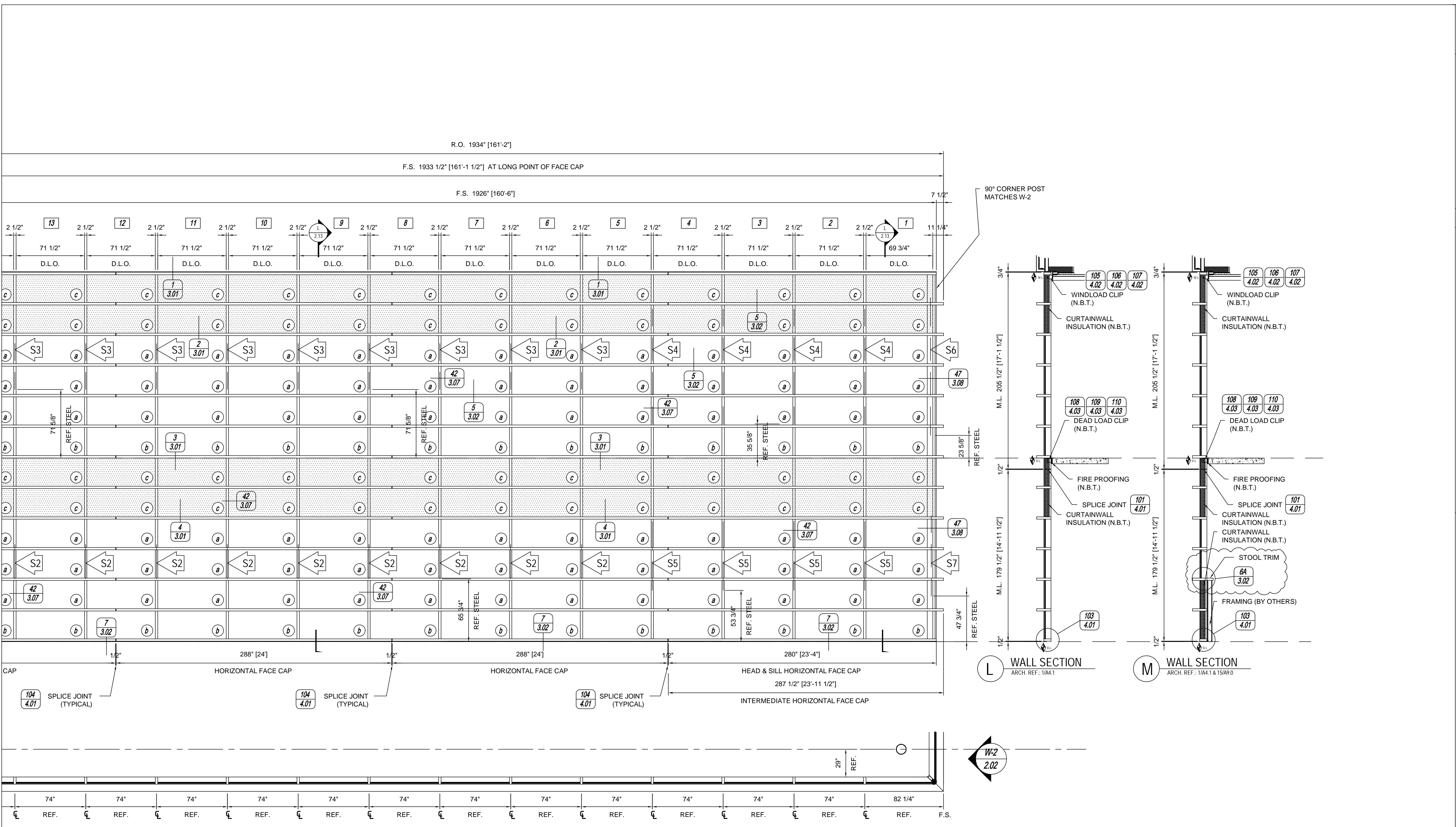
- S1 E55TB223 MULLION WITH C4 X 5.4 C-CHANNEL 60" LENGTH (65 5/8" FROM 2ND FINISHED FLOOR)
- S2 E55TB223 MULLION WITH C4 X 5.4 C-CHANNEL 48" LENGTH (65 3/4" FROM 1ST FINISHED FLOOR)
- S3 E55TB223 MULLION WITH C4 X 5.4 C-CHANNEL 48" LENGTH (71 5/8" FROM 2ND FINISHED FLOOR)
- S4 E55TB223 MULLION WITH C4 X 5.4 C-CHANNEL 120" LENGTH (35 5/8" FROM 2ND FINISHED FLOOR)
- S5 E55TB223 MULLION WITH C4 X 5.4 C-CHANNEL 72" LENGTH (53 3/4" FROM 1ST FINISHED FLOOR)
- S6 E6TB70 MULLION WITH C4 X 5.4 C-CHANNEL 144" LENGTH (23 5/8" FROM 2ND FINISHED FLOOR)
- S7 E6TB70 MULLION WITH C4 X 5.4 C-CHANNEL 84" LENGTH (47 3/4" FROM 1ST FINISHED FLOOR)

ELEVATION W7
 SCALE: 1/4" = 1'-0"
 TUBELITE 400 - 2 1/2" x 7 1/2" CURTAINWALL
 1" INSULATED GLASS (FRONT SET)
 QUANTITY: 1

ARCHITECT / G.C. NOTE:
 PLEASE VERIFY ALL DIMENSIONS
 FIELD MEASUREMENTS WILL NOT BE TAKEN



2



R.O. 1934" [161'-2"]

F.S. 1933 1/2" [161'-1 1/2"] AT LONG POINT OF FACE CAP

F.S. 1926" [160'-6"]

ELEVATION W7

SCALE: 1/4" = 1'-0"
 TUBELITE 400 - 2 1/2" x 7 1/2" CURTAINWALL
 1" INSULATED GLASS (FRONT SET)
 QUANTITY: 1

ARCHITECT / G.C. NOTE:
 PLEASE VERIFY ALL DIMENSIONS
 FIELD MEASUREMENTS WILL NOT BE TAKEN

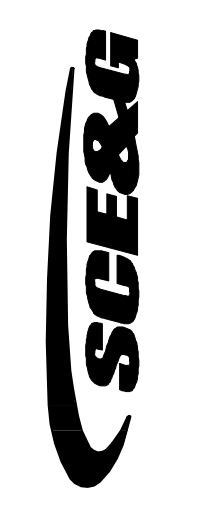
- S1 E55TB223 MULLION WITH C4 X 5.4 C-CHANNEL 60" LENGTH (65 5/8" FROM 2ND FINISHED FLOOR)
- S2 E55TB223 MULLION WITH C4 X 5.4 C-CHANNEL 48" LENGTH (65 3/4" FROM 1ST FINISHED FLOOR)
- S3 E55TB223 MULLION WITH C4 X 5.4 C-CHANNEL 48" LENGTH (71 5/8" FROM 2ND FINISHED FLOOR)
- S4 E55TB223 MULLION WITH C4 X 5.4 C-CHANNEL 120" LENGTH (35 5/8" FROM 2ND FINISHED FLOOR)
- S5 E55TB223 MULLION WITH C4 X 5.4 C-CHANNEL 72" LENGTH (53 3/4" FROM 1ST FINISHED FLOOR)
- S6 E6TB70 MULLION WITH C4 X 5.4 C-CHANNEL 144" LENGTH (23 5/8" FROM 2ND FINISHED FLOOR)
- S7 E6TB70 MULLION WITH C4 X 5.4 C-CHANNEL 84" LENGTH (47 3/4" FROM 1ST FINISHED FLOOR)

L WALL SECTION
 ARCH. REF.: 1/A4.1

M WALL SECTION
 ARCH. REF.: 1/A4.1 & 15/A9.0

NO.	DESCRIPTION	DATE
1/10/12	1ST. REVISION	
11/7/11	1ST. SUBMISSION (ENGINEERING CALCS)	
9/6/11	1ST. SUBMISSION	

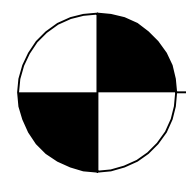
TUBELITE
 STOREFRONTS & ENTRANCES
DEPENDABLE
 3056 WALKER RIDGE DRIVE, NW, SUITE G
 WALKER, MICHIGAN 49544
 800-866-2227 PHONE
 www.tubeliteinc.com



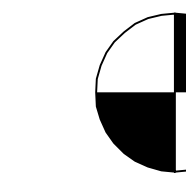
PROJECT:	PROJECT NAME
PROJECT:	PROJECT ADDRESS
PROJECT:	CUSTOMER NAME
PROJECT:	CUSTOMER ADDRESS
DRAWN BY:	CW
CHECKED BY:	JR
DATE:	9/6/11
DATE:	9/6/11
JOB NAME:	VC SUMMER NUCLEAR
SHEET NO.:	2.13

P: 704-588-1976, F: 704-588-9440

DRAWING SUBMISSION

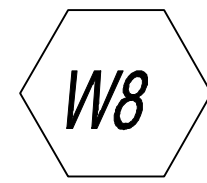


FIN. FLOOR



FIN. FLOOR

ELEVATION



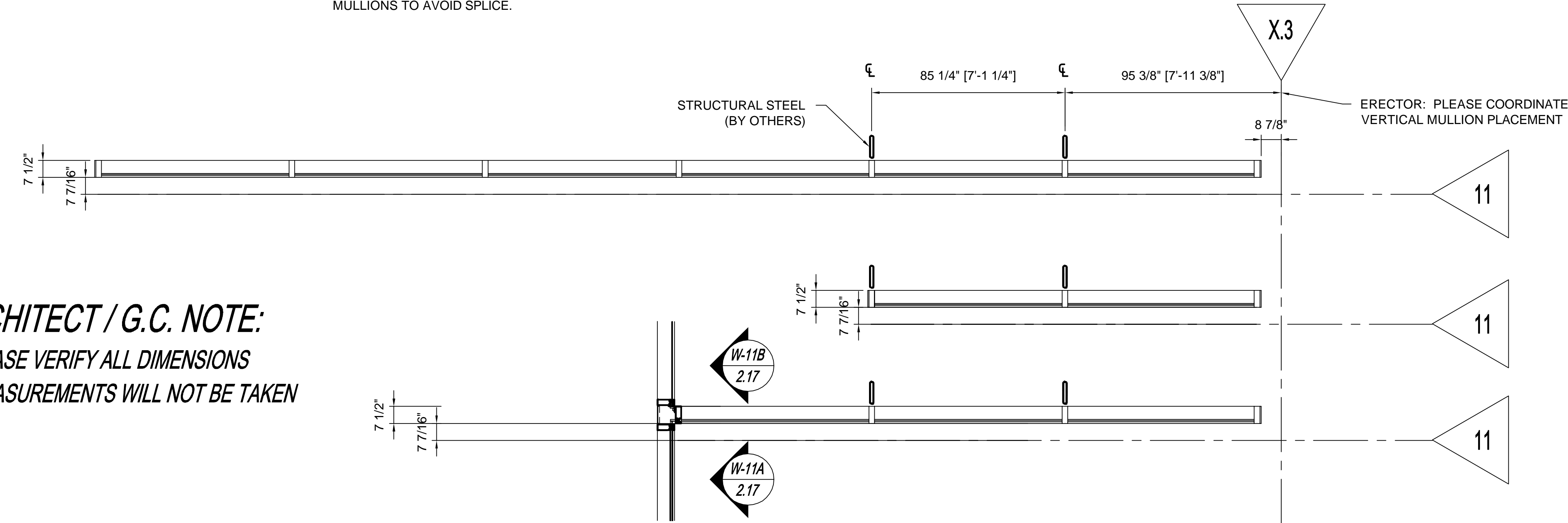
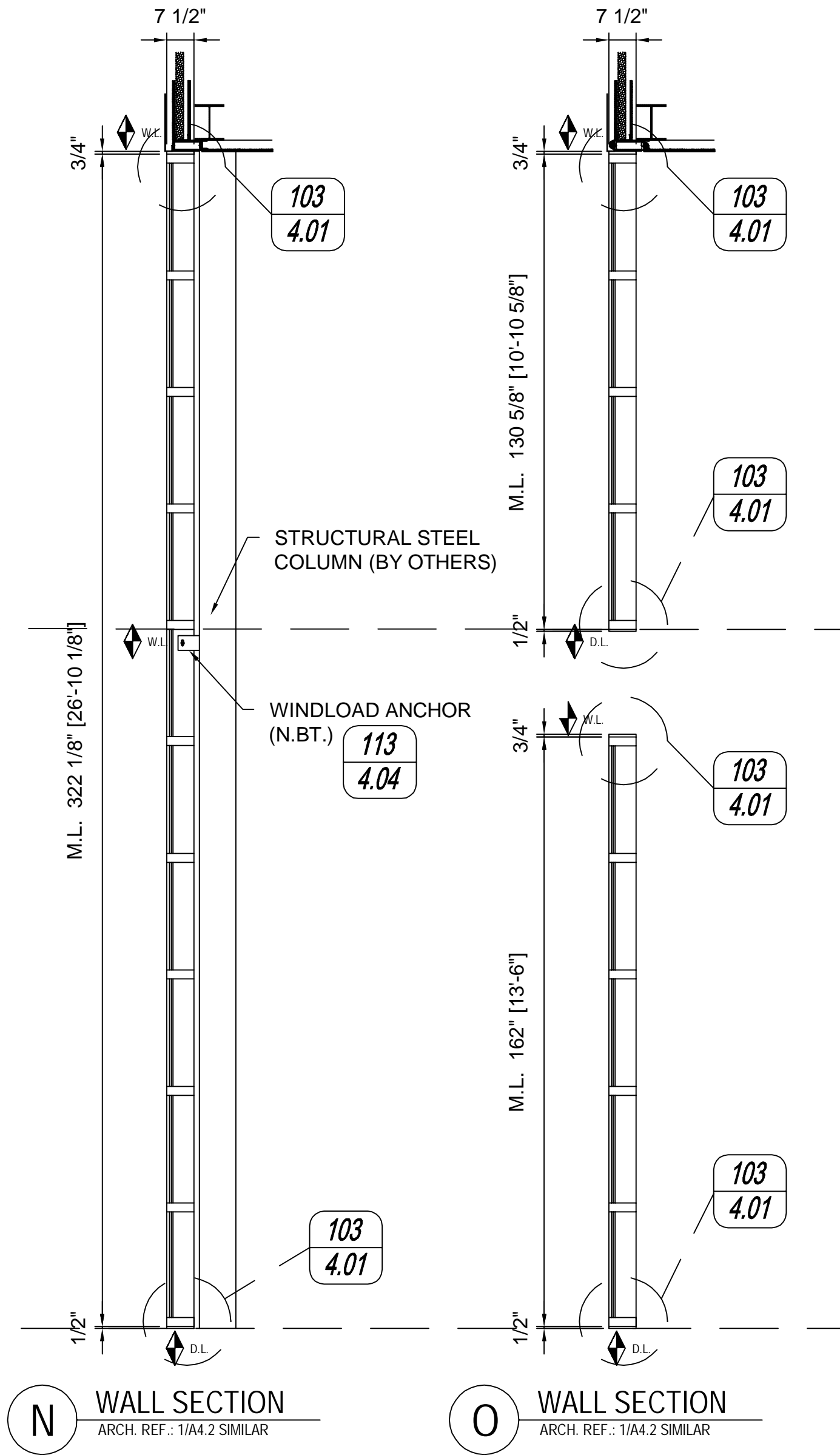
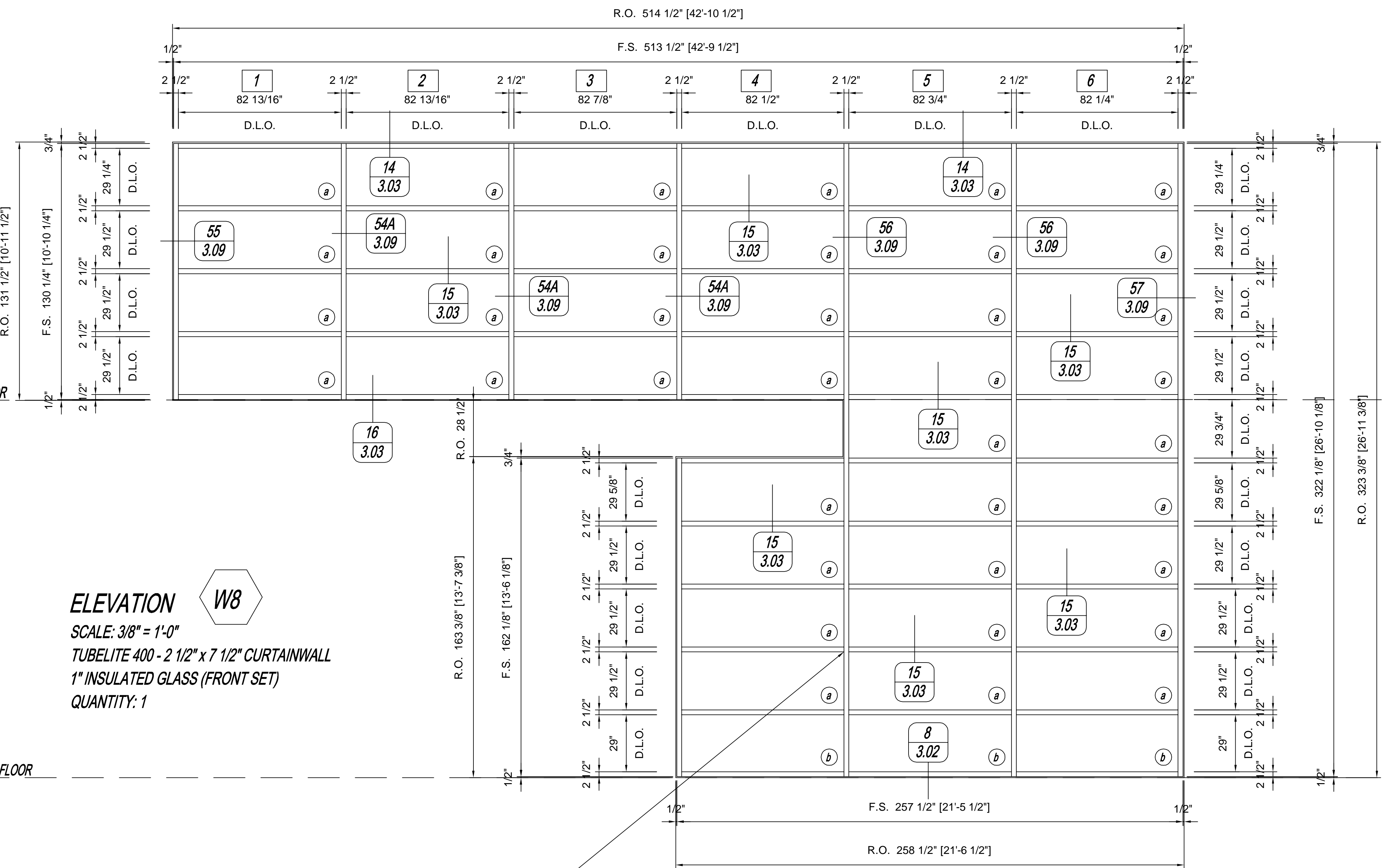
SCALE: 3/8" = 1'-0"

TUBELITE 400 - 2 1/2" x 7 1/2" CURTAINWALL

1" INSULATED GLASS (FRONT SET)

QUANTITY: 1

TUBELITE TO PROVIDE CUSTOM LENGTH VERTICAL MULLIONS TO AVOID SPLICE.



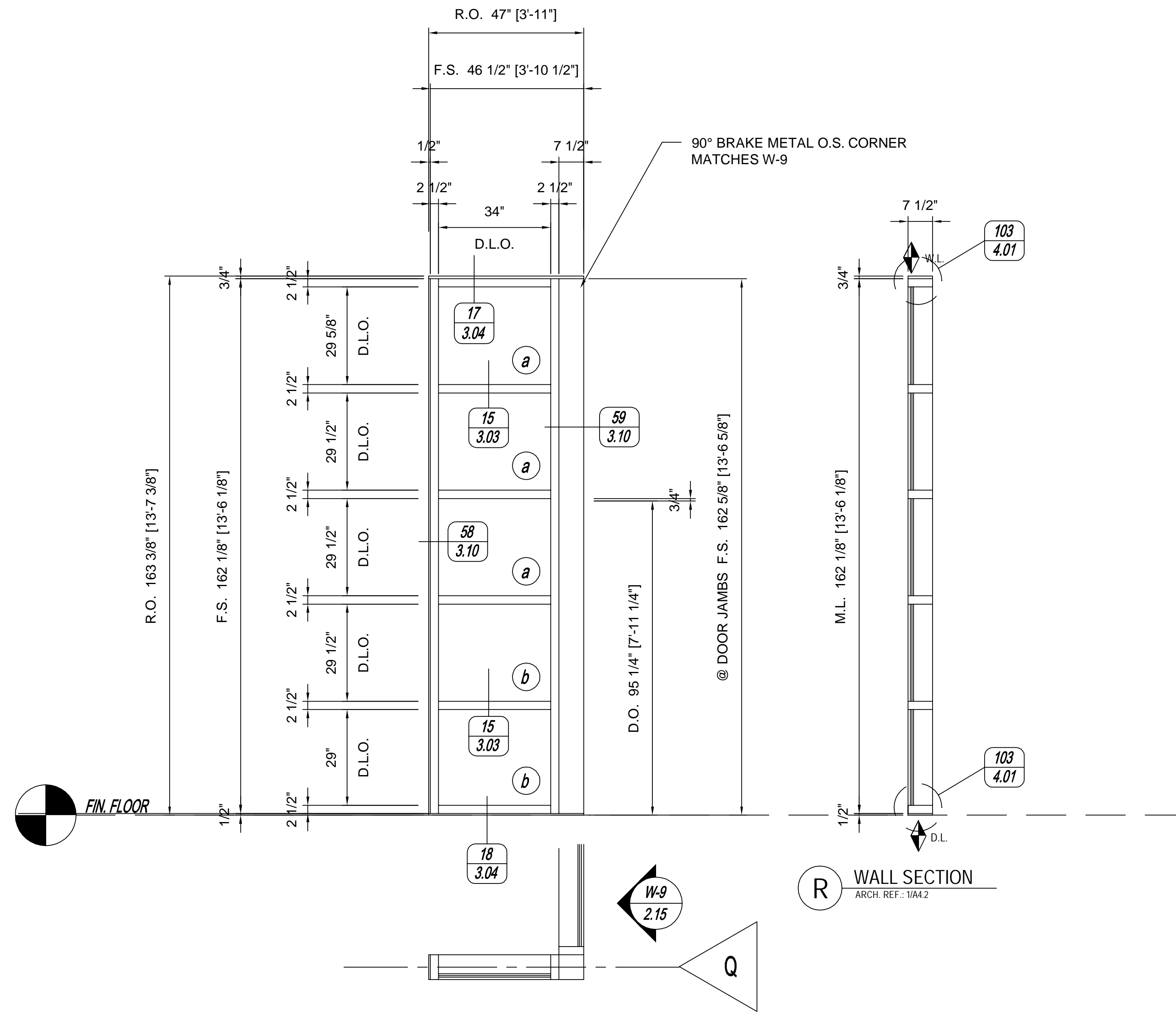
ARCHITECT / G.C. NOTE:
 PLEASE VERIFY ALL DIMENSIONS
 FIELD MEASUREMENTS WILL NOT BE TAKEN

NO.	DESCRIPTION	DATE
1		
1ST. SUBMISSION		9/6/11
1ST. SUBMISSION (ENGINEERING CALCS)		11/7/11
1ST. REVISION		1/10/12

TUBELITE®
 STOREFRONTS & ENTRANCES
DEPENDABLE
 3056 WALKER RIDGE DRIVE, NW, SUITE G
 WALKER, MICHIGAN 49544
 800-866-2227 PHONE
 www.tubeliteinc.com

PROJECT:	PROJECT NAME
DRAWN BY:	PROJECT ADDRESS
CHECKED BY:	CUSTOMER NAME
JOB NAME:	CUSTOMER ADDRESS
SHEET NO.:	2.14

P: 704-588-1976, F: 704-588-9440



ELEVATION

W10

SCALE: 1/2" = 1'-0"

TUBELITE 400 - 2 1/2" x 7 1/2" CURTAINWALL

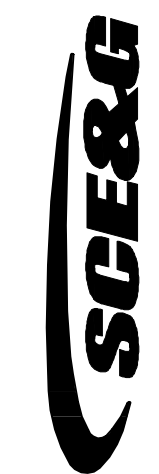
1" INSULATED GLASS (FRONT SET)

QUANTITY: 1

ARCHITECT / G.C. NOTE:

PLEASE VERIFY ALL DIMENSIONS
FIELD MEASUREMENTS WILL NOT BE TAKEN

TUBELITE® **DEPENDABLE**
STOREFRONTS & ENTRANCES
3056 WALKER RIDGE DRIVE, NW, SUITE G
WALKER, MICHIGAN 49544
800-866-2227 PHONE
www.tubeliteinc.com



PROJECT NAME
PROJECT ADDRESS

CUSTOMER NAME
CUSTOMER ADDRESS

P: 704-588-1976, F: 704-588-9440

DRAWN BY: CW
DATE: 9/6/11

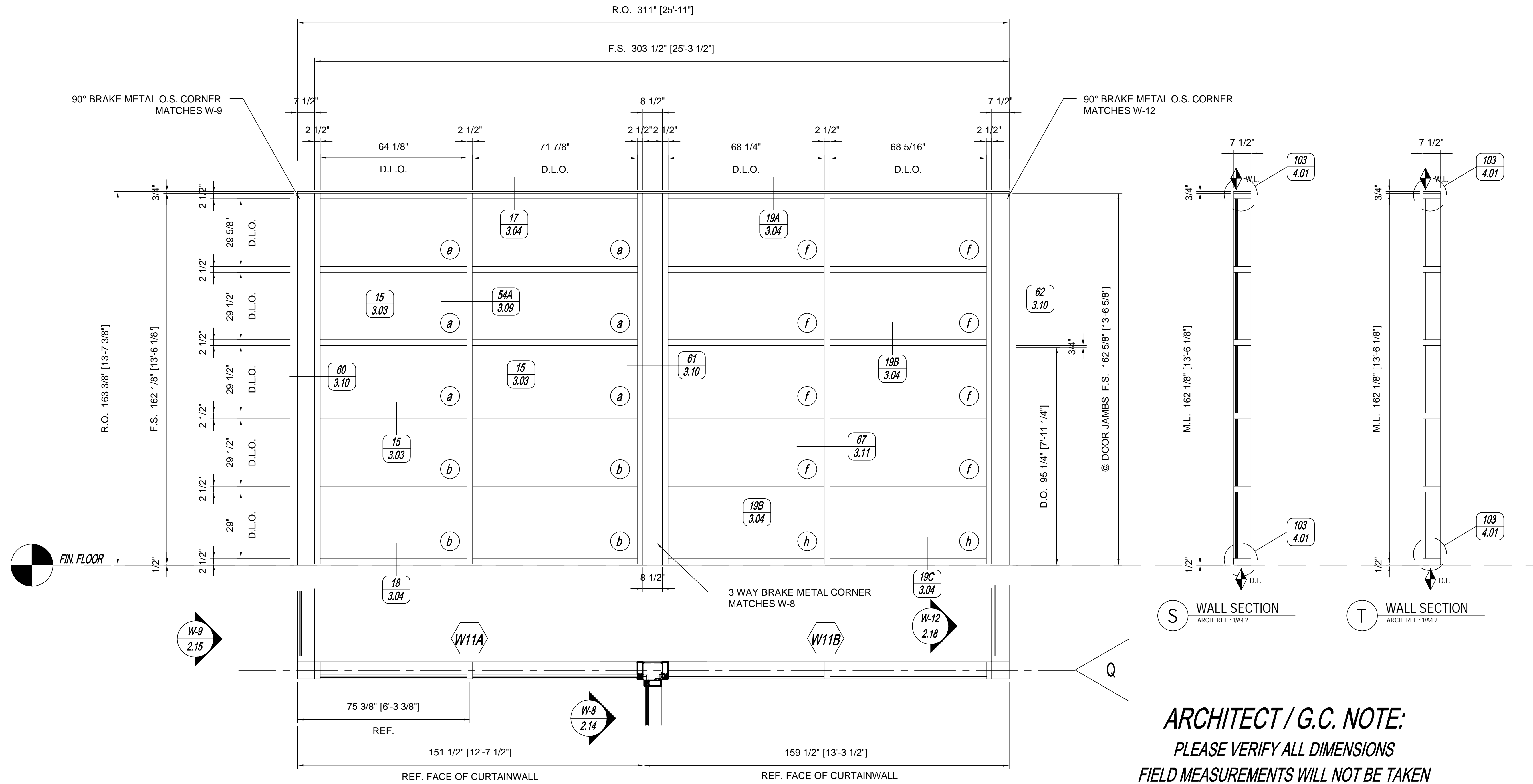
CHECKED BY: JR
DATE: 9/6/11

JOB NAME: VC SUMMER NUCLEAR

SHEET NO: 2.16

NO	DESCRIPTION	DATE
1	1ST. SUBMISSION (ENGINEERING CALCS)	11/7/11
2	1ST. SUBMISSION	9/6/11
3	1ST. REVISION	1/10/12

DRAWING SUBMISSION



ELEVATION **W11A** **W11B**
 SCALE: 1/2" = 1'-0"
 TUBELITE 400 - 2 1/2" x 7 1/2" CURTAINWALL
 1" INSULATED GLASS & 1/4" GLASS (FRONT SET)
 QUANTITY: 1

ARCHITECT / G.C. NOTE:
 PLEASE VERIFY ALL DIMENSIONS
 FIELD MEASUREMENTS WILL NOT BE TAKEN

NO.	DESCRIPTION	DATE
1/10/12	1ST. REVISION	
11/7/11	1ST. SUBMISSION (ENGINEERING CALCS)	
9/6/11	1ST. SUBMISSION	

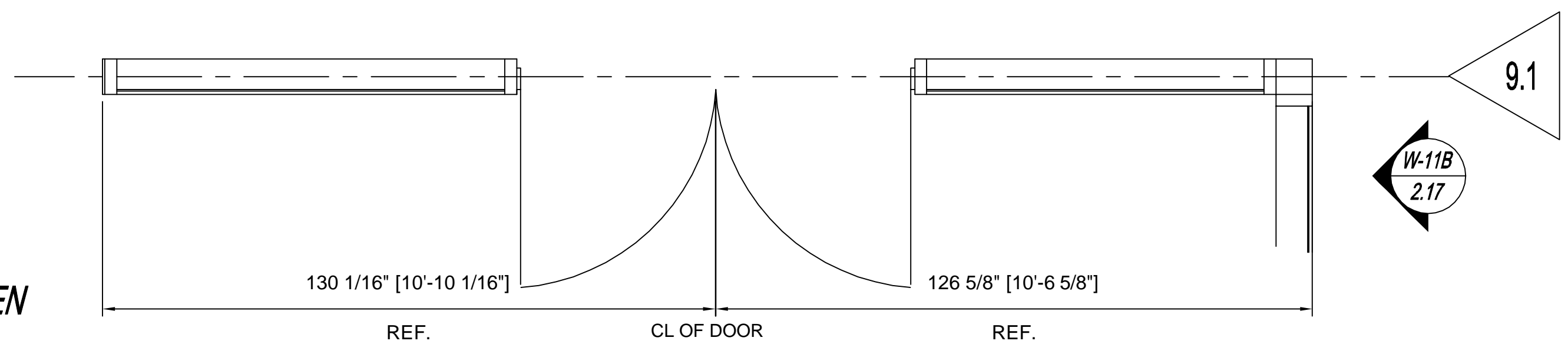
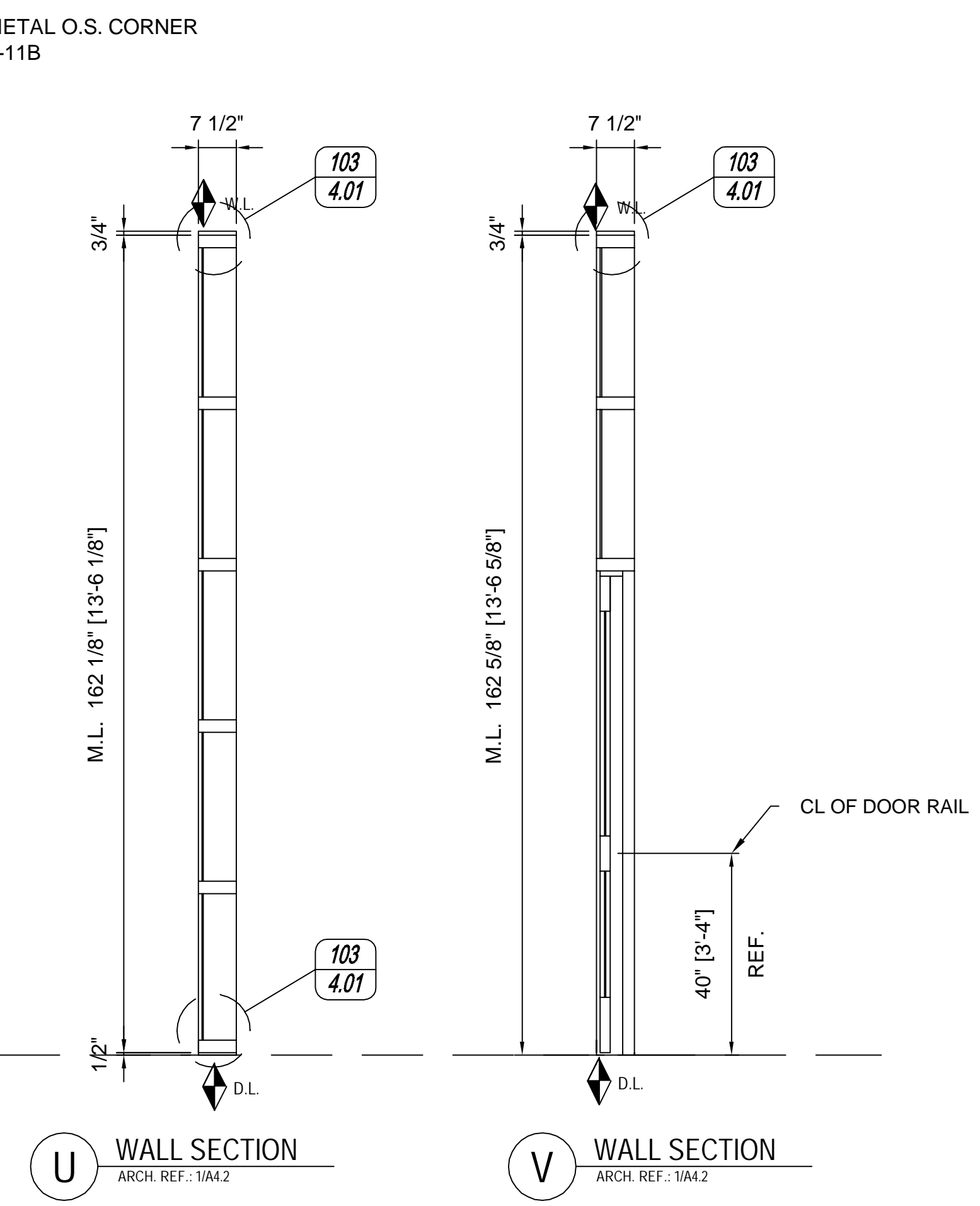
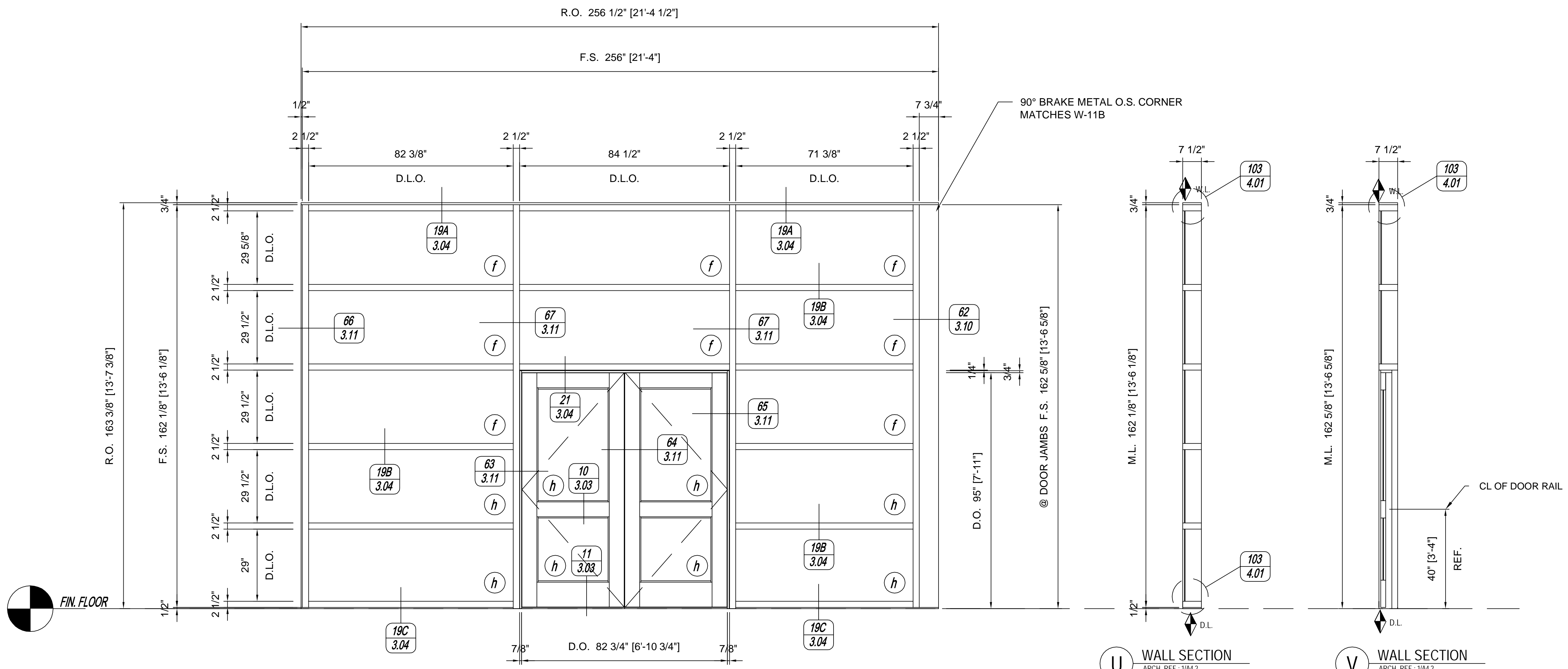
TUBELITE **DEPENDABLE**
 STOREFRONTS & ENTRANCES
 3056 WALKER RIDGE DRIVE, NW, SUITE G
 WALKER, MICHIGAN 49544
 800-866-2227 PHONE
 www.tubeliteinc.com



PROJECT:	PROJECT NAME
DRAWN BY:	PROJECT ADDRESS
CHECKED BY:	SUB CONTRACTOR/INSTALLER
JOB NAME:	CUSTOMER NAME
SHEET NO.:	CUSTOMER ADDRESS
	VC SUMMER NUCLEAR
	2.17

P: 704-588-1976, F: 704-588-9440

DRAWING SUBMISSION



ELEVATION **W12**
 SCALE: 1/2" = 1'-0"
 TUBELITE 400 - 2 1/2" x 7 1/2" CURTAINWALL
 1/4" GLASS (FRONT SET)
 QUANTITY: 1

ARCHITECT / G.C. NOTE:
 PLEASE VERIFY ALL DIMENSIONS
 FIELD MEASUREMENTS WILL NOT BE TAKEN

NO.	DESCRIPTION	DATE
1	1ST. SUBMISSION	9/6/11
2	1ST. SUBMISSION (ENGINEERING CALCS)	11/7/11
3	1ST. REVISION	1/10/12

TUBELITE **DEPENDABLE**
 STOREFRONTS & ENTRANCES
 3056 WALKER RIDGE DRIVE, NW, SUITE G
 WALKER, MICHIGAN 49544
 800-866-2227 PHONE
 www.tubeliteinc.com

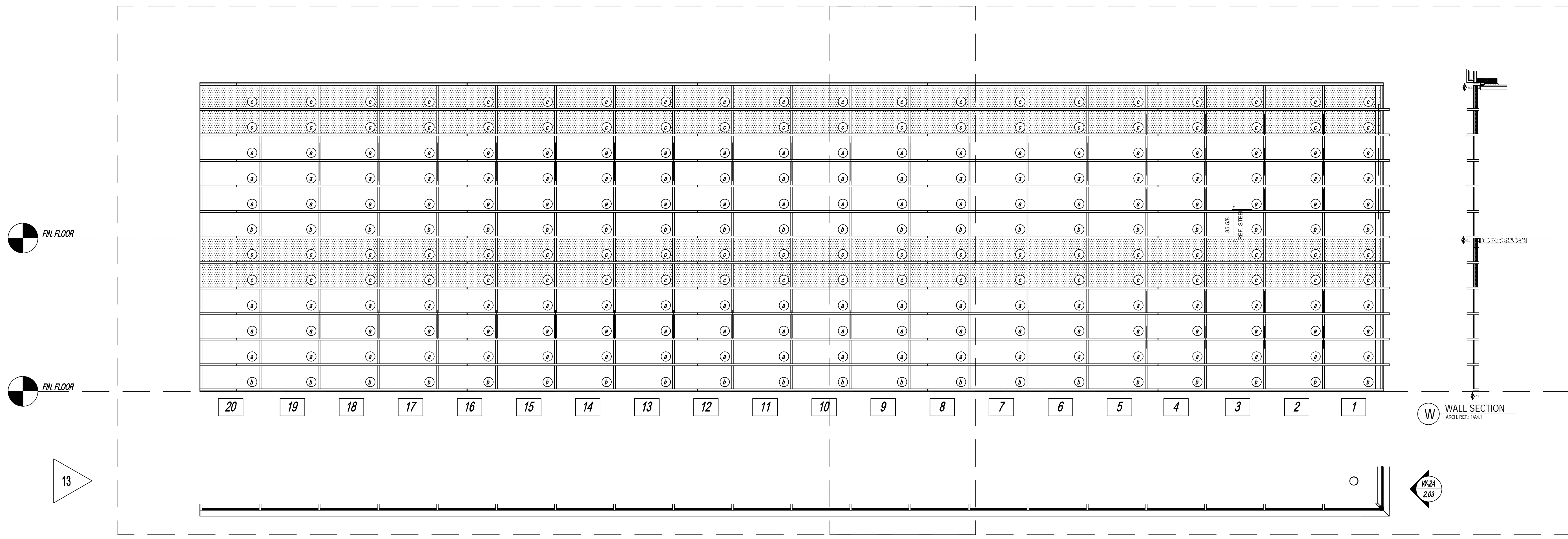


PROJECT NAME	VC SUMMER NUCLEAR
PROJECT ADDRESS	
CUSTOMER NAME	
CUSTOMER ADDRESS	
DRAWN BY	CW
CHECKED BY	JR
DATE	9/6/11
SHEET NO.	2.18

P: 704-588-1976, F: 704-588-9440

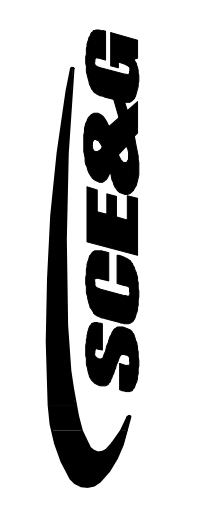
PAGE 2.20

PAGE 2.21



ELEVATION W13
 SCALE: N.T.S.
 TUBELITE 400 - 2 1/2" x 7 1/2" CURTAINWALL
 1" INSULATED GLASS (FRONT SET)
 QUANTITY: 1

TUBELITE® **DEPENDABLE**
 STOREFRONTS & ENTRANCES
 3056 WALKER RIDGE DRIVE, NW, SUITE G
 WALKER, MICHIGAN 49544
 800-866-2227 PHONE
 www.tubeliteinc.com

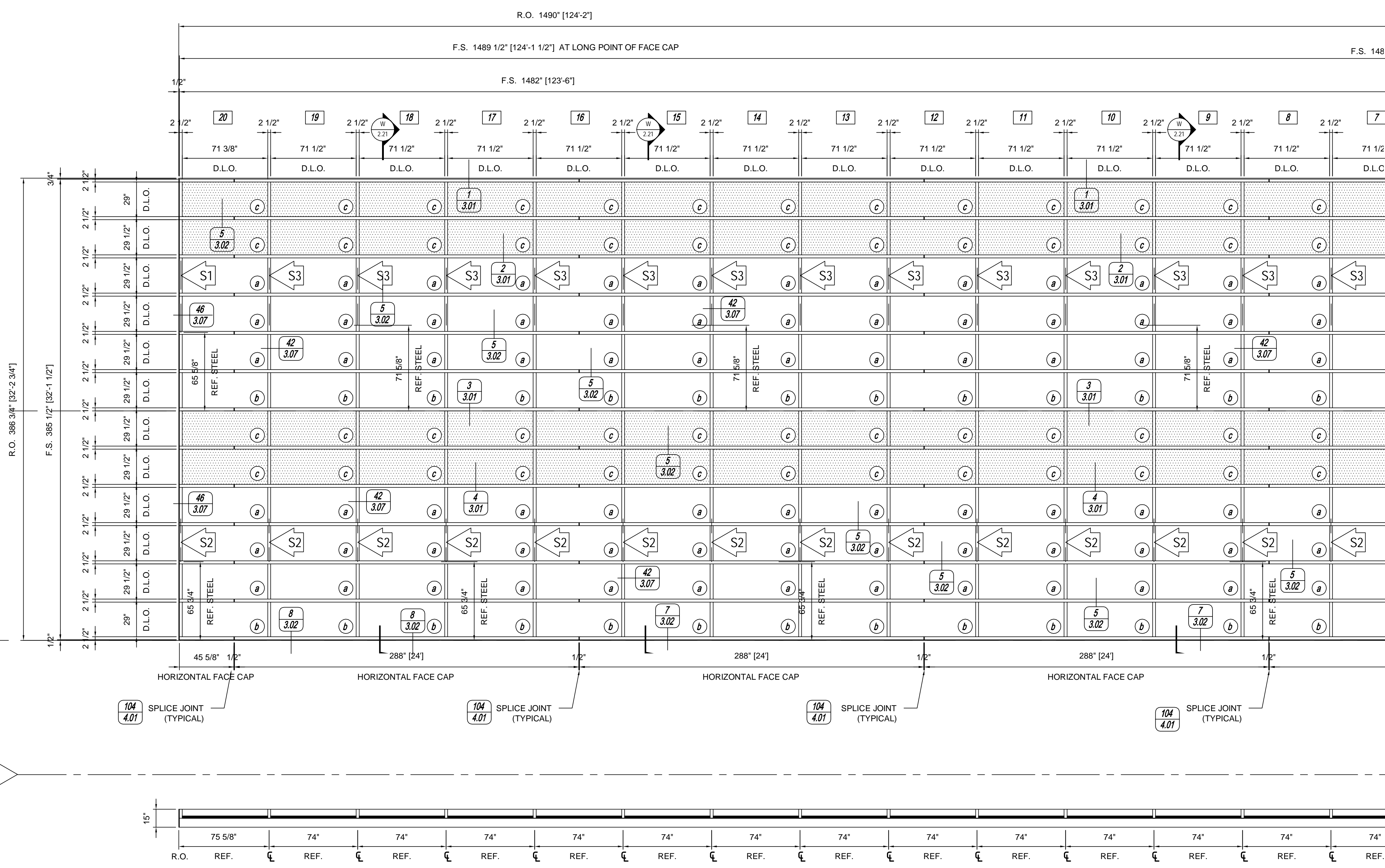


P: 704-588-1976, F: 704-588-9440

NO	DESCRIPTION	DATE
1	1ST. SUBMISSION	9/6/11
2	1ST. SUBMISSION (ENGINEERING CALCS)	11/7/11
3	1ST. REVISION	1/10/12

PROJECT NAME	VC SUMMER NUCLEAR
PROJECT ADDRESS	
CUSTOMER NAME	
CUSTOMER ADDRESS	
DRAWN BY	CW
CHECKED BY	JR
DATE	9/6/11
SHEET NO:	2.19

1/10/12	1/17/11	9/6/11	DATE
1ST. REVISION	1ST. SUBMISSION (ENGINEERING CALCS)	1ST. SUBMISSION	DESCRIPTION
			DRAWING SUBMISSION



- S1 E55TB223 MULLION WITH C4 X 5.4 C-CHANNEL 60" LENGTH (65 5/8" FROM 2ND FINISHED FLOOR)
- S2 E55TB223 MULLION WITH C4 X 5.4 C-CHANNEL 48" LENGTH (65 3/4" FROM 1ST FINISHED FLOOR)
- S3 E55TB223 MULLION WITH C4 X 5.4 C-CHANNEL 48" LENGTH (71 5/8" FROM 2ND FINISHED FLOOR)
- S4 E55TB223 MULLION WITH C4 X 5.4 C-CHANNEL 120" LENGTH (35 5/8" FROM 2ND FINISHED FLOOR)
- S5 E55TB223 MULLION WITH C4 X 5.4 C-CHANNEL 72" LENGTH (53 3/4" FROM 1ST FINISHED FLOOR)
- S6 E6TB70 MULLION WITH C4 X 5.4 C-CHANNEL 144" LENGTH (23 5/8" FROM 2ND FINISHED FLOOR)
- S7 E6TB70 MULLION WITH C4 X 5.4 C-CHANNEL 84" LENGTH (47 3/4" FROM 1ST FINISHED FLOOR)

ELEVATION W13
 SCALE: 1/4" = 1'-0"
 TUBELITE 400 - 2 1/2" x 7 1/2" CURTAINWALL
 1" INSULATED GLASS (FRONT SET)
 QUANTITY: 1

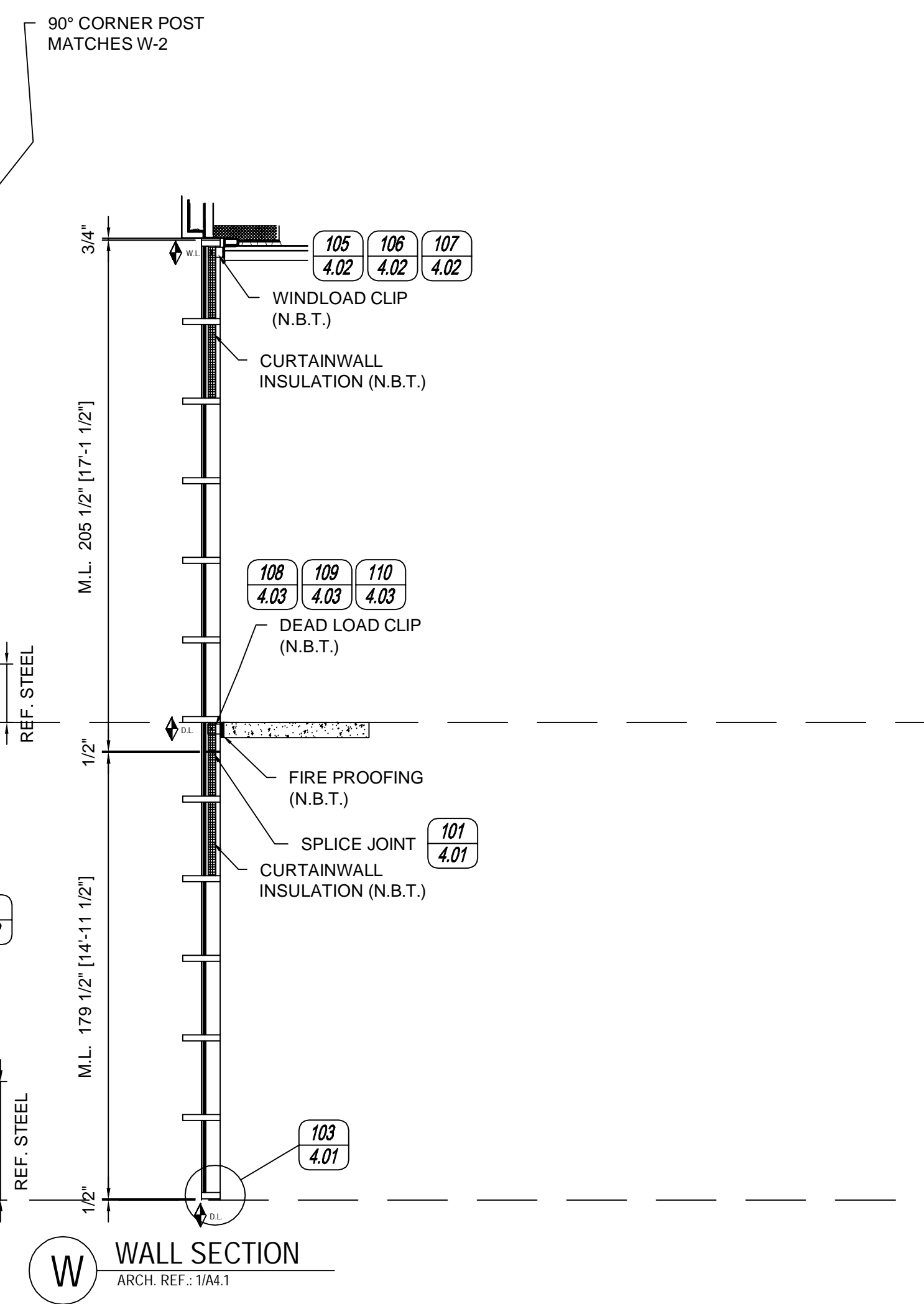
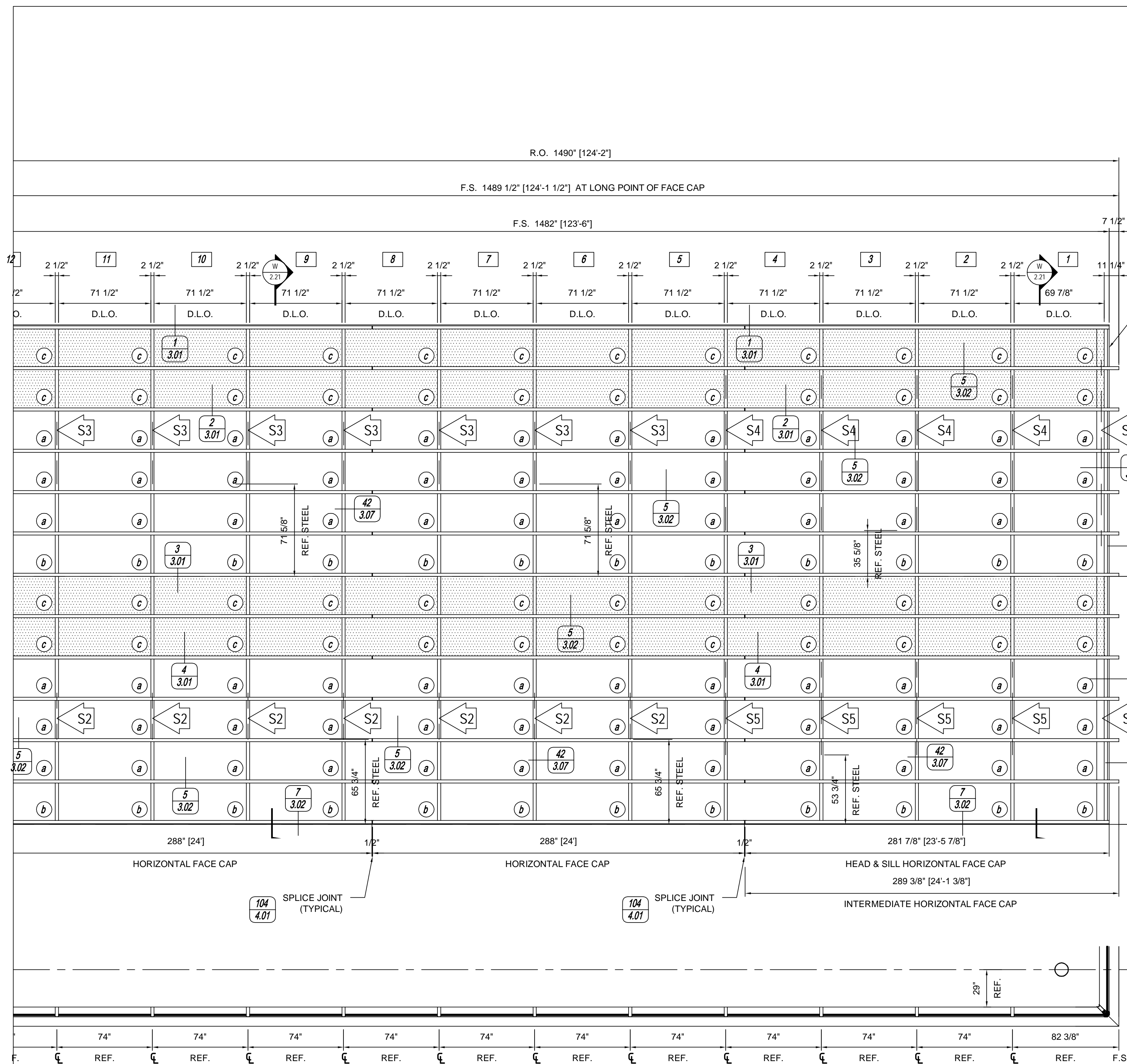
ARCHITECT / G.C. NOTE:
 PLEASE VERIFY ALL DIMENSIONS
 FIELD MEASUREMENTS WILL NOT BE TAKEN

TUBELITE
 STOREFRONTS & ENTRANCES
 3056 WALKER RIDGE DRIVE, NW, SUITE G
 WALKER, MICHIGAN 49544
 800-866-2227 PHONE
 www.tubeliteinc.com



PROJECT NAME	VC SUMMER NUCLEAR
PROJECT ADDRESS	
CUSTOMER NAME	
CUSTOMER ADDRESS	
DRAWN BY	CW
CHECKED BY	JR
DATE	9/6/11
JOB NAME	VC SUMMER NUCLEAR
SHEET NO.	2.20

P: 704-588-1976, F: 704-588-9440



ELEVATION W13
 SCALE: 1/4" = 1'-0"
 TUBELITE 400 - 2 1/2" x 7 1/2" CURTAINWALL
 1" INSULATED GLASS (FRONT SET)
 QUANTITY: 1

ARCHITECT / G.C. NOTE:
 PLEASE VERIFY ALL DIMENSIONS
 FIELD MEASUREMENTS WILL NOT BE TAKEN

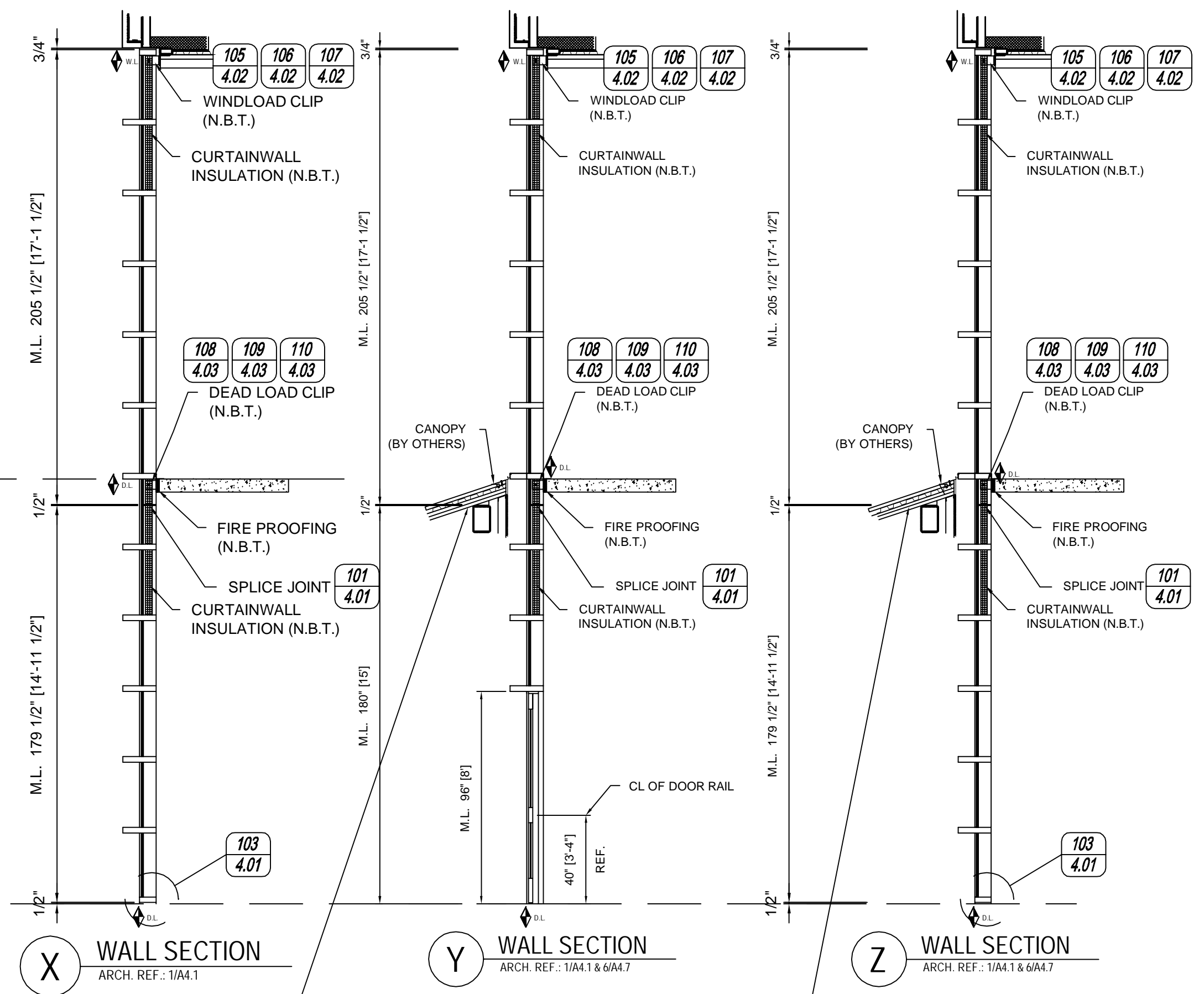
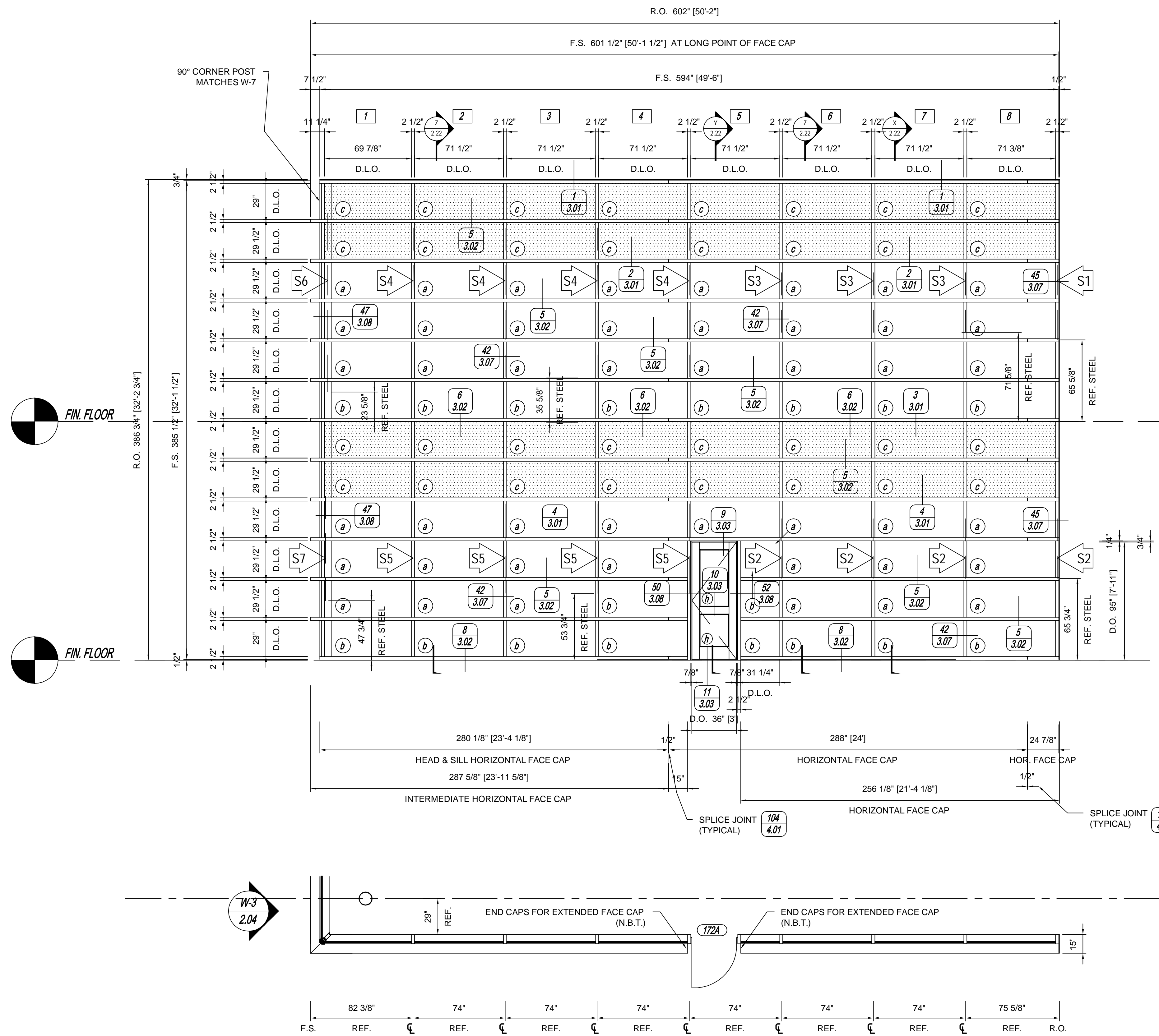
- S1 E55TB223 MULLION WITH C4 X 5.4 C-CHANNEL 60" LENGTH (65 5/8" FROM 2ND FINISHED FLOOR)
- S2 E55TB223 MULLION WITH C4 X 5.4 C-CHANNEL 48" LENGTH (65 3/4" FROM 1ST FINISHED FLOOR)
- S3 E55TB223 MULLION WITH C4 X 5.4 C-CHANNEL 48" LENGTH (71 5/8" FROM 2ND FINISHED FLOOR)
- S4 E55TB223 MULLION WITH C4 X 5.4 C-CHANNEL 120" LENGTH (35 5/8" FROM 2ND FINISHED FLOOR)
- S5 E55TB223 MULLION WITH C4 X 5.4 C-CHANNEL 72" LENGTH (53 3/4" FROM 1ST FINISHED FLOOR)
- S6 E6TB70 MULLION WITH C4 X 5.4 C-CHANNEL 144" LENGTH (23 5/8" FROM 2ND FINISHED FLOOR)
- S7 E6TB70 MULLION WITH C4 X 5.4 C-CHANNEL 84" LENGTH (47 3/4" FROM 1ST FINISHED FLOOR)

NO	DESCRIPTION	DATE
1	1ST. SUBMISSION	9/6/11
2	1ST. SUBMISSION (ENGINEERING CALCS)	11/7/11
3	1ST. REVISION	1/10/12

TUBELITE®
 STOREFRONTS & ENTRANCES
 3056 WALKER RIDGE DRIVE, NW, SUITE G
 WALKER, MICHIGAN 49544
 800-866-2227 PHONE
 www.tubeliteinc.com

PROJECT:	PROJECT NAME	PROJECT ADDRESS
DRAWN BY:	CW	DATE: 9/6/11
CHECKED BY:	JR	DATE: 9/6/11
JOB NAME:	VC SUMMER NUCLEAR	
SHEET NO.:	2.21	

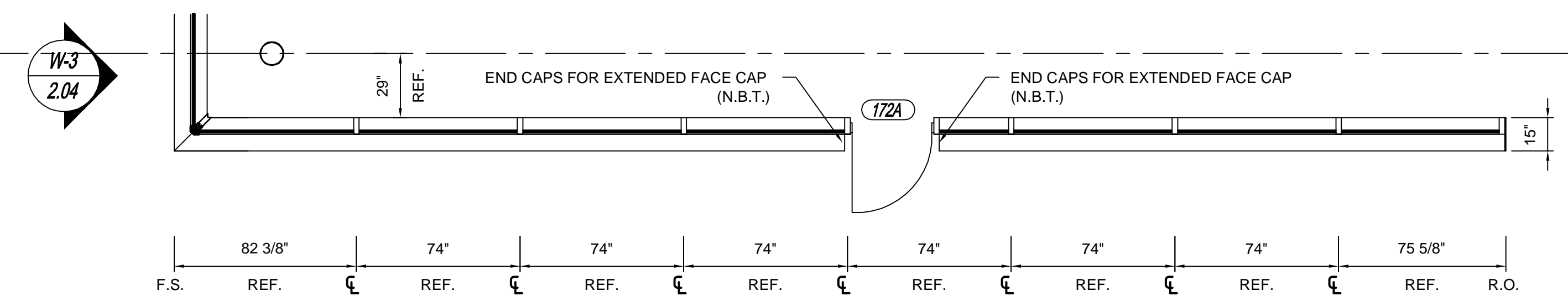
P: 704-588-1976, F: 704-588-9440



ARCHITECT / G.C. NOTE:
PLEASE VERIFY ALL DIMENSIONS
FIELD MEASUREMENTS WILL NOT BE TAKEN

ELEVATION W14
SCALE: 1/4" = 1'-0"
TUBELITE 400 - 2 1/2" x 7 1/2" CURTAINWALL
1" INSULATED GLASS (FRONT SET)
QUANTITY: 1

- S1 E55TB223 MULLION WITH C4 X 5.4 C-CHANNEL 60" LENGTH (65 5/8" FROM 2ND FINISHED FLOOR)
- S2 E55TB223 MULLION WITH C4 X 5.4 C-CHANNEL 48" LENGTH (65 3/4" FROM 1ST FINISHED FLOOR)
- S3 E55TB223 MULLION WITH C4 X 5.4 C-CHANNEL 48" LENGTH (71 5/8" FROM 2ND FINISHED FLOOR)
- S4 E55TB223 MULLION WITH C4 X 5.4 C-CHANNEL 120" LENGTH (35 5/8" FROM 2ND FINISHED FLOOR)
- S5 E55TB223 MULLION WITH C4 X 5.4 C-CHANNEL 72" LENGTH (53 3/4" FROM 1ST FINISHED FLOOR)
- S6 E6TB70 MULLION WITH C4 X 5.4 C-CHANNEL 144" LENGTH (23 5/8" FROM 2ND FINISHED FLOOR)
- S7 E6TB70 MULLION WITH C4 X 5.4 C-CHANNEL 84" LENGTH (47 3/4" FROM 1ST FINISHED FLOOR)



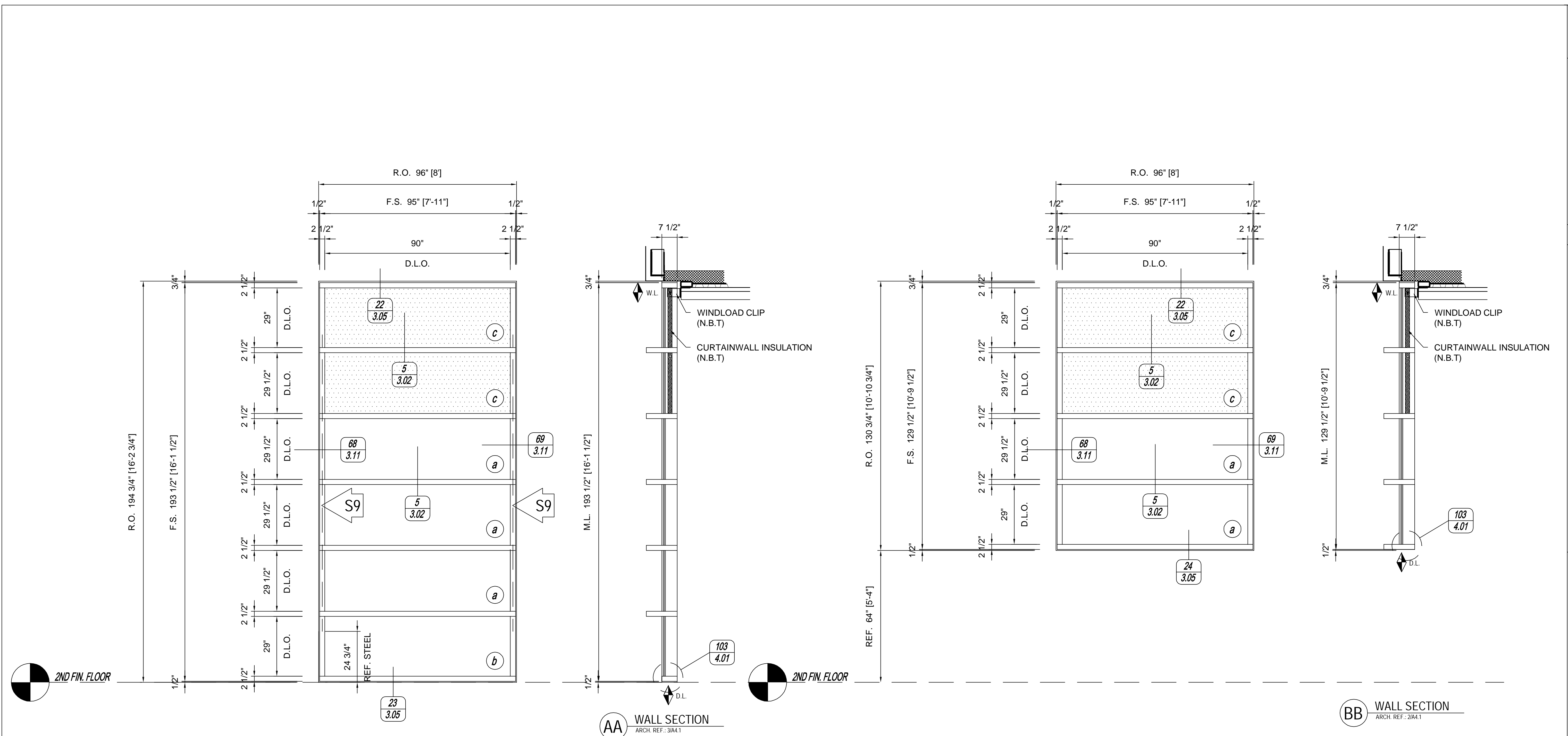
NO	DESCRIPTION	DATE
1ST. REVISION		1/10/12
1ST. SUBMISSION (ENGINEERING CALCS)		11/7/11
1ST. SUBMISSION		9/6/11

TUBELITE
DEPENDABLE
STOREFRONTS & ENTRANCES
3056 WALKER RIDGE DRIVE, NW, SUITE G
WALKER, MICHIGAN 49544
800-866-2227 PHONE
www.tubeliteinc.com

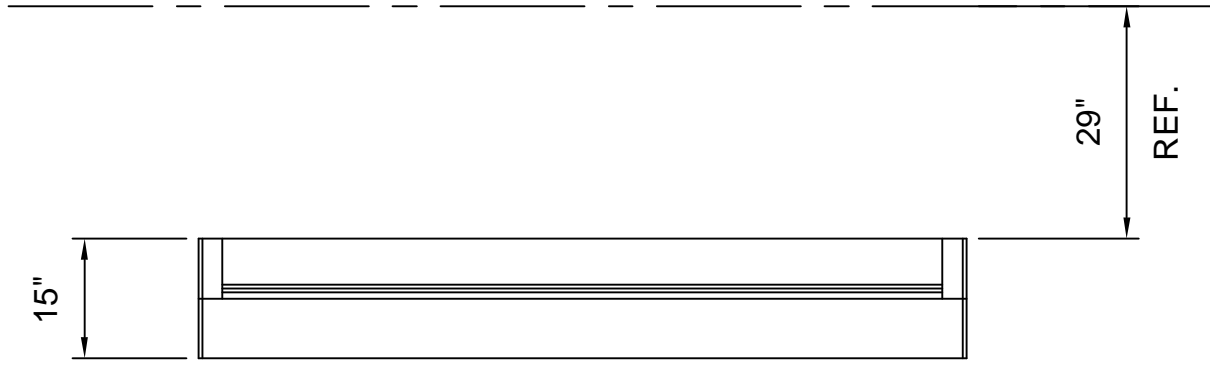


PROJECT NAME	VC SUMMER NUCLEAR
PROJECT ADDRESS	
CUSTOMER NAME	
CUSTOMER ADDRESS	
DRAWN BY	CW
CHECKED BY	JR
DATE	9/6/11
JOB NAME	
SHEET NO.	2.22

P: 704-588-1976, F: 704-588-9440

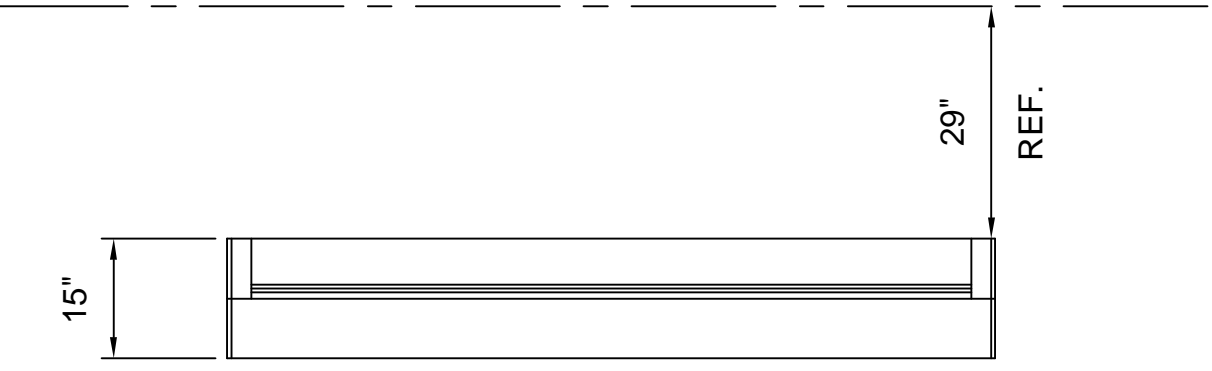


S9 E55TB223 MULLION WITH C4X 4.5 C-CHANNEL & 3/4" X 3" BAR STOCK 144" LENGTH (24 3/4" FROM ROUGH OPENING)



ELEVATION W15
 SCALE: 1/2" = 1'-0"
 TUBELITE 400 - 2 1/2" x 7 1/2" CURTAINWALL
 1" GLASS (FRONT SET)
 QUANTITY: 3

ARCHITECT / G.C. NOTE:
 PLEASE VERIFY ALL DIMENSIONS
 FIELD MEASUREMENTS WILL NOT BE TAKEN



ELEVATION W16
 SCALE: 1/2" = 1'-0"
 TUBELITE 400 - 2 1/2" x 7 1/2" CURTAINWALL
 1" GLASS (FRONT SET)
 QUANTITY: 6

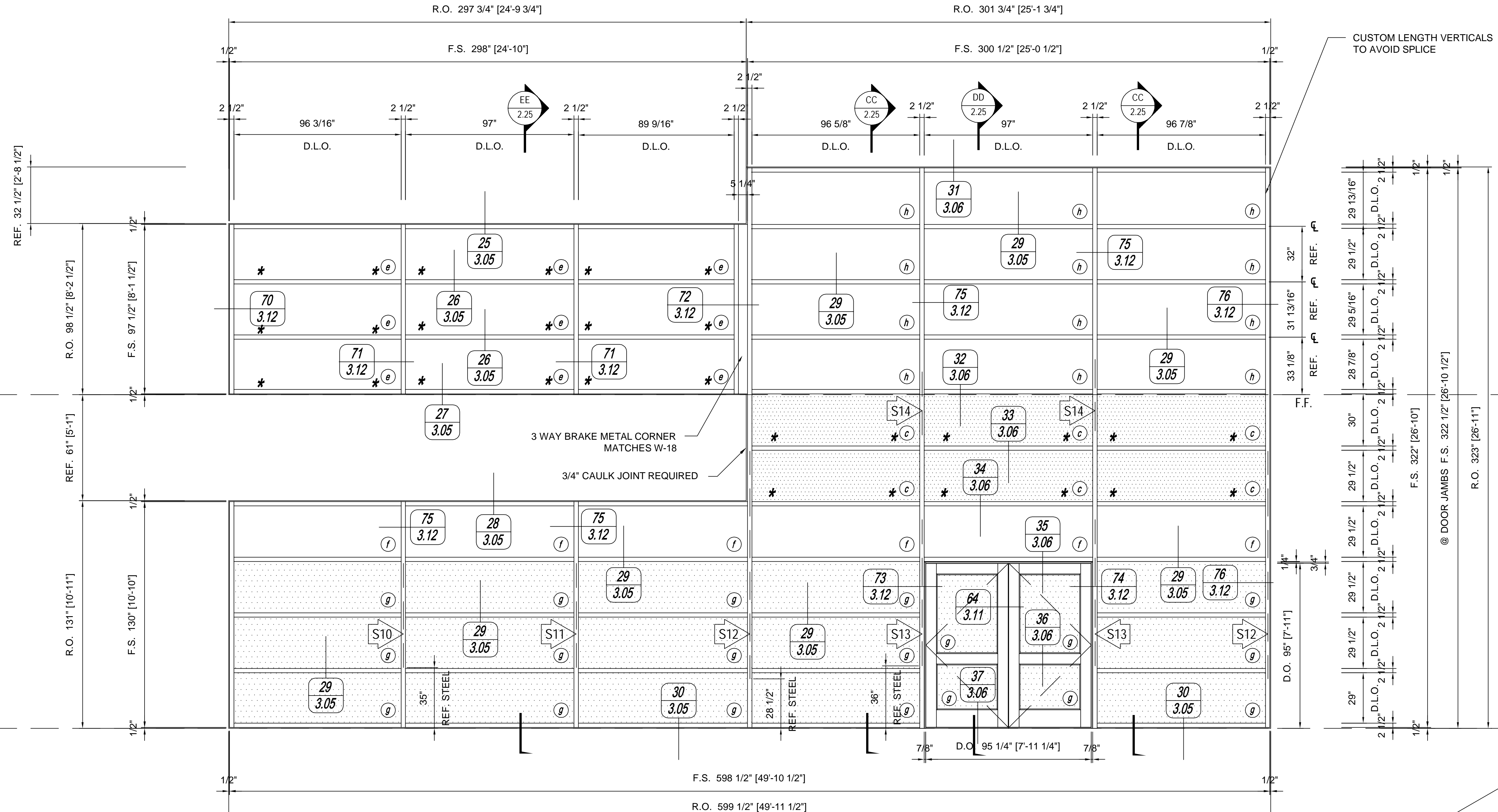
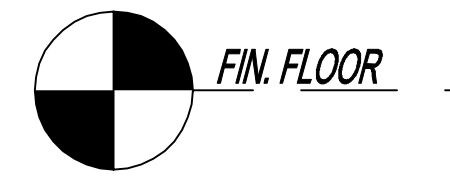
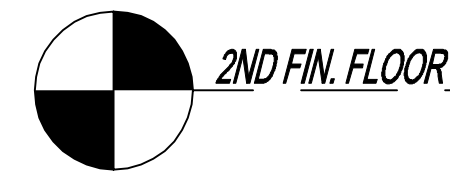
NO.	DESCRIPTION	DATE
1ST. SUBMISSION	11/7/11	9/6/11
1ST. SUBMISSION (ENGINEERING CALCS)	11/7/11	9/6/11
1ST. REVISION	11/0/12	

TUBELITE
 STOREFRONTS & ENTRANCES
DEPENDABLE
 3056 WALKER RIDGE DRIVE, NW, SUITE G
 WALKER, MICHIGAN 49544
 800-866-2227 PHONE
 www.tubeliteinc.com

SCE&G

PROJECT:	PROJECT NAME
DRAWN BY:	PROJECT ADDRESS
CHECKED BY:	CUSTOMER NAME
JOB NAME:	CUSTOMER ADDRESS
SHEET NO.:	2.23

P: 704-588-1976, F: 704-588-9440



CUSTOM LENGTH VERTICALS TO AVOID SPLICE

ARCHITECT / G.C. NOTE:
PLEASE VERIFY ALL DIMENSIONS
FIELD MEASUREMENTS WILL NOT BE TAKEN

ELEVATION W17
SCALE: 3/8" = 1'-0"
TUBELITE 400 - 2 1/2" x 6" CURTAINWALL
1" INSULATED GLASS (FRONT SET)
1/2" GLASS (FRONT SET)
1/4" GLASS (FRONT SET)
QUANTITY: 1

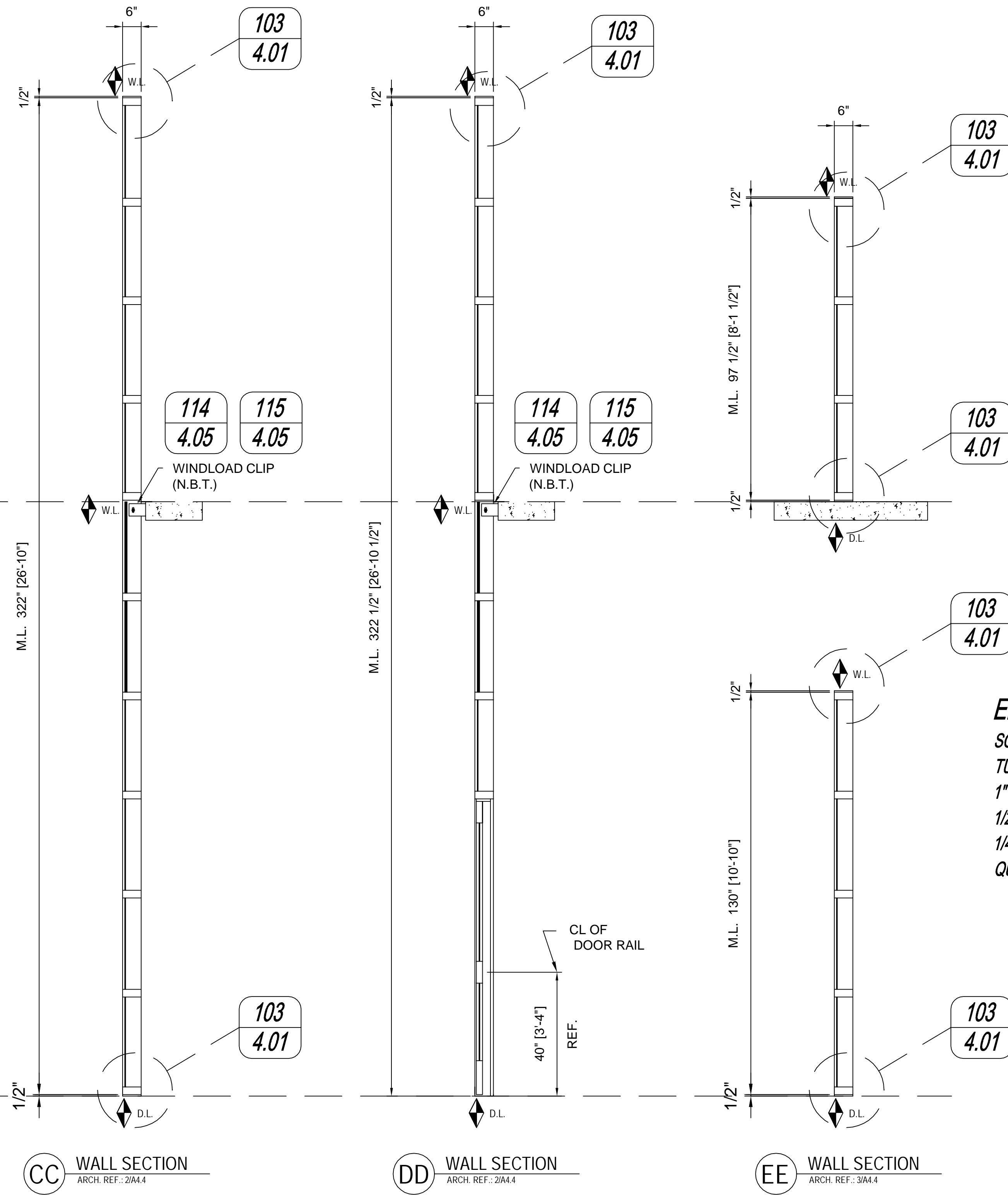
- S10 E4TB223 MULLION WITH C3X 4.1 C-CHANNEL 60" LENGTH (35" FROM FINISHED FLOOR)
- S11 E4TB223 MULLION WITH C3X 4.1 C-CHANNEL 60" LENGTH (CENTERED IN SPAN)
- S12 E4TB223 MULLION WITH 2" X 3" BAR STOCK 132" LENGTH (28 1/2" FROM FINISHED FLOOR)
- S13 E4TB223 MULLION WITH 2" X 3" BAR STOCK 84" LENGTH (36" FROM FINISHED FLOOR)
- S14 E4TB223 MULLION WITH C3X 4.1 C-CHANNEL 36" LENGTH (CENTERED ON MID POINT ANCHOR)

* SET GLASS SETTING BLOCKS AT 1/8 POINTS; TYPICAL FOR ALL HORIZONTALS BELOW.

PROJECT:	PROJECT NAME	PROJECT ADDRESS	CUSTOMER NAME	CUSTOMER ADDRESS	DATE	DESCRIPTION	DRAWING SUBMISSION	
DRAWN BY:	CW				9/6/11			
CHECKED BY:	JR				9/6/11			
JOB NAME:	VC SUMMER NUCLEAR							
SHEET NO.:	2.24							

TUBELITE
STOREFRONTS & ENTRANCES
3056 WALKER RIDGE DRIVE, NW, SUITE G
WALKER, MICHIGAN 49544
800-866-2227 PHONE
www.tubeliteinc.com

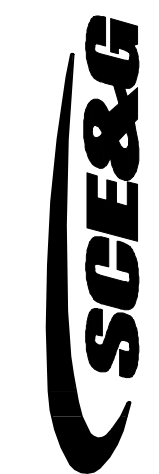
P: 704-588-1976, F: 704-588-9440



ELEVATION W17
 SCALE: 1/2" = 1'-0"
 TUBELITE 400 - 2 1/2" x 6" CURTAINWALL
 1" INSULATED GLASS (FRONT SET)
 1/2" GLASS (FRONT SET)
 1/4" GLASS (FRONT SET)
 QUANTITY: 1

ARCHITECT / G.C. NOTE:
 PLEASE VERIFY ALL DIMENSIONS
 FIELD MEASUREMENTS WILL NOT BE TAKEN

TUBELITE® **DEPENDABLE**
 STOREFRONTS & ENTRANCES
 3056 WALKER RIDGE DRIVE, NW, SUITE G
 WALKER, MICHIGAN 49544
 800-866-2227 PHONE
 www.tubeliteinc.com



PROJECT NAME
 PROJECT ADDRESS
 CUSTOMER NAME
 CUSTOMER ADDRESS

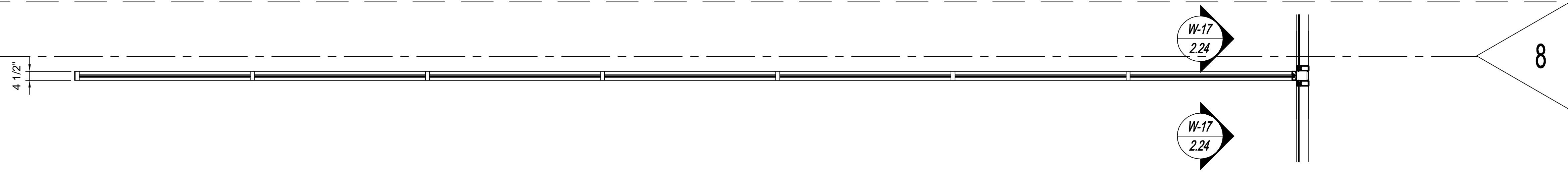
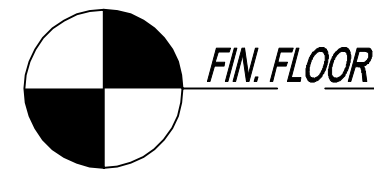
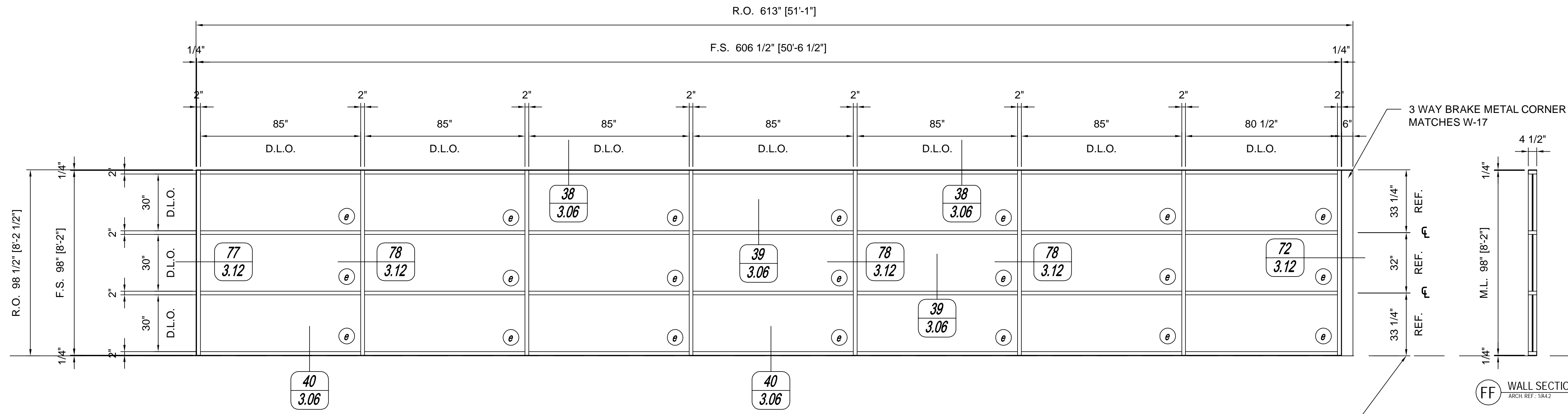
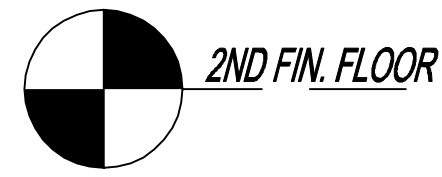
DRAWN BY: CW
 CHECKED BY: JR
 DATE: 9/6/11

JOB NAME: VC SUMMER NUCLEAR
 SHEET NO: 2.25

NO	DESCRIPTION	DATE
1	1ST. SUBMISSION (ENGINEERING CALCS)	11/7/11
2	1ST. SUBMISSION	9/6/11
3	1ST. REVISION	1/10/12

DRAWING SUBMISSION

P: 704-588-1976, F: 704-588-9440



ARCHITECT / G.C. NOTE:
PLEASE VERIFY ALL DIMENSIONS
FIELD MEASUREMENTS WILL NOT BE TAKEN

ELEVATION W18
SCALE: 3/8" = 1'-0"
TUBELITE E14000 2" X 4 1/2" STOREFRONT
1/2" GLASS (CENTER SET)
QUANTITY: 1

ERECTOR / G.C. NOTE:
PLEASE FIELD VERIFY ALL DIMENSIONS

TUBELITE
STOREFRONTS & ENTRANCES
DEPENDABLE
3056 WALKER RIDGE DRIVE, NW, SUITE G
WALKER, MICHIGAN 49544
800-866-2227 PHONE
www.tubeliteinc.com



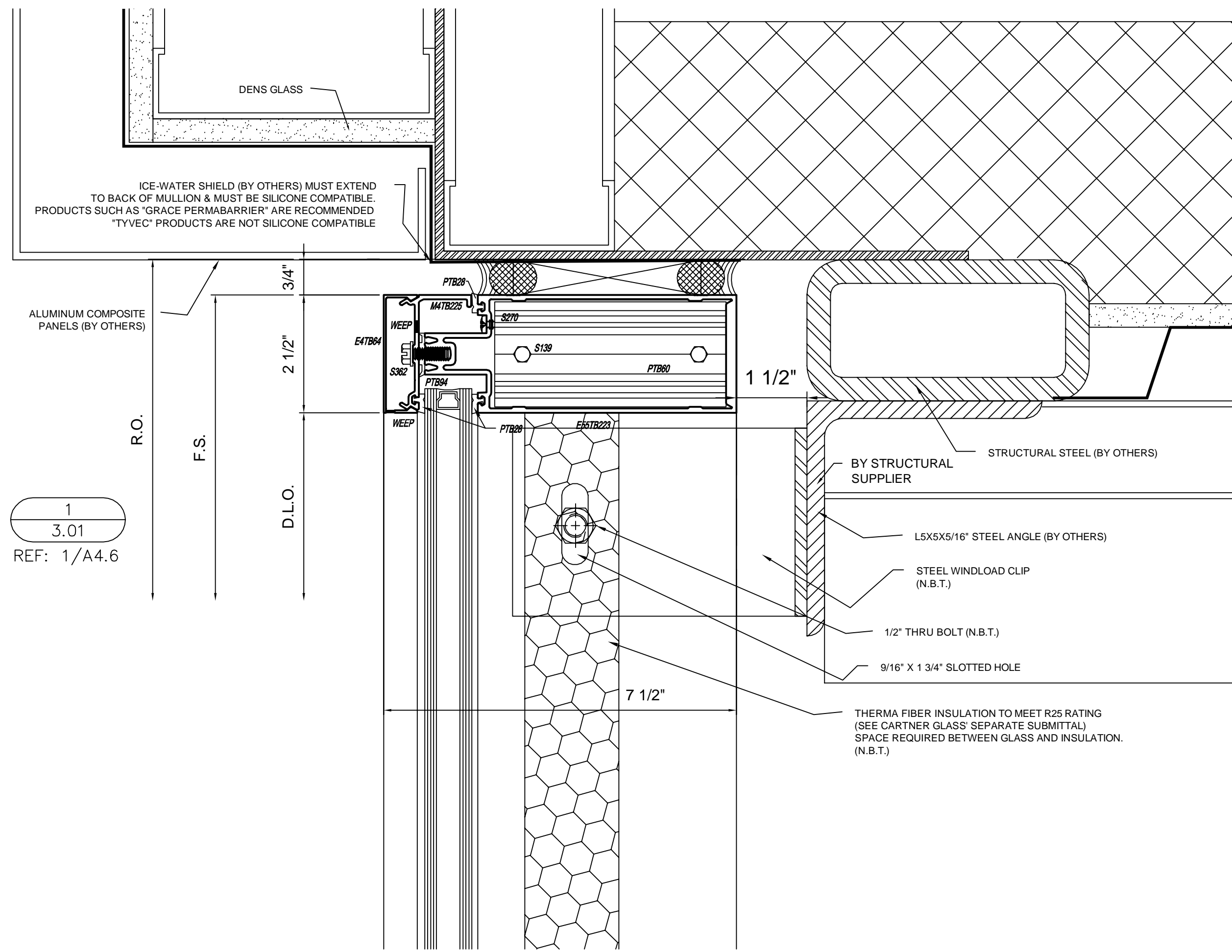
PROJECT NAME
PROJECT ADDRESS
CUSTOMER NAME
CUSTOMER ADDRESS

P: 704-588-1976, F: 704-588-9440

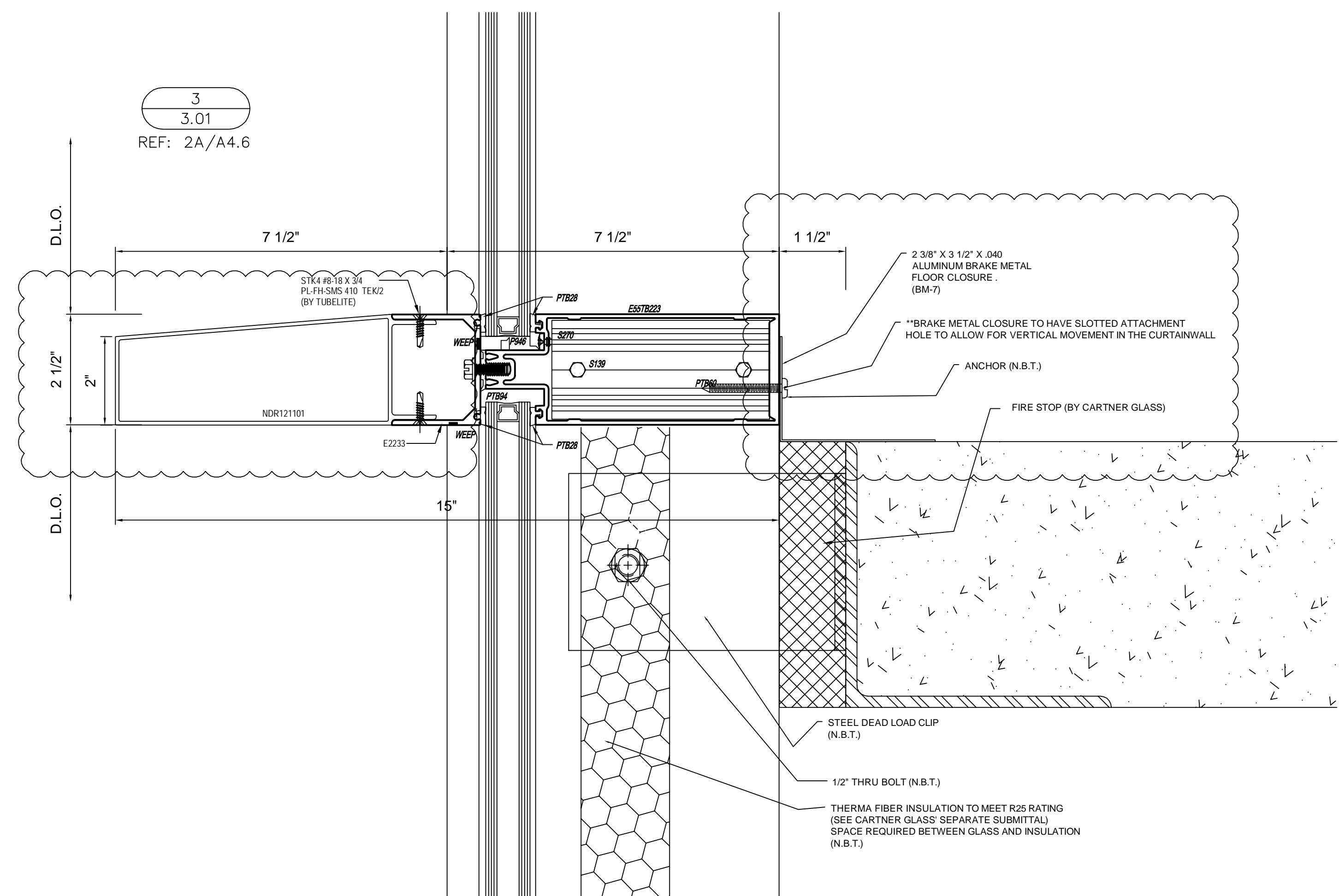
PROJECT:	DATE:
DRAWN BY: CW	9/6/11
CHECKED BY: JR	9/6/11
JOB NAME: VC SUMMER NUCLEAR	
SHEET NO: 2.26	

NO	DESCRIPTION	DATE
1	1ST. SUBMISSION	9/6/11
2	1ST. SUBMISSION (ENGINEERING CALCS)	11/7/11
3	1ST. REVISION	1/10/12

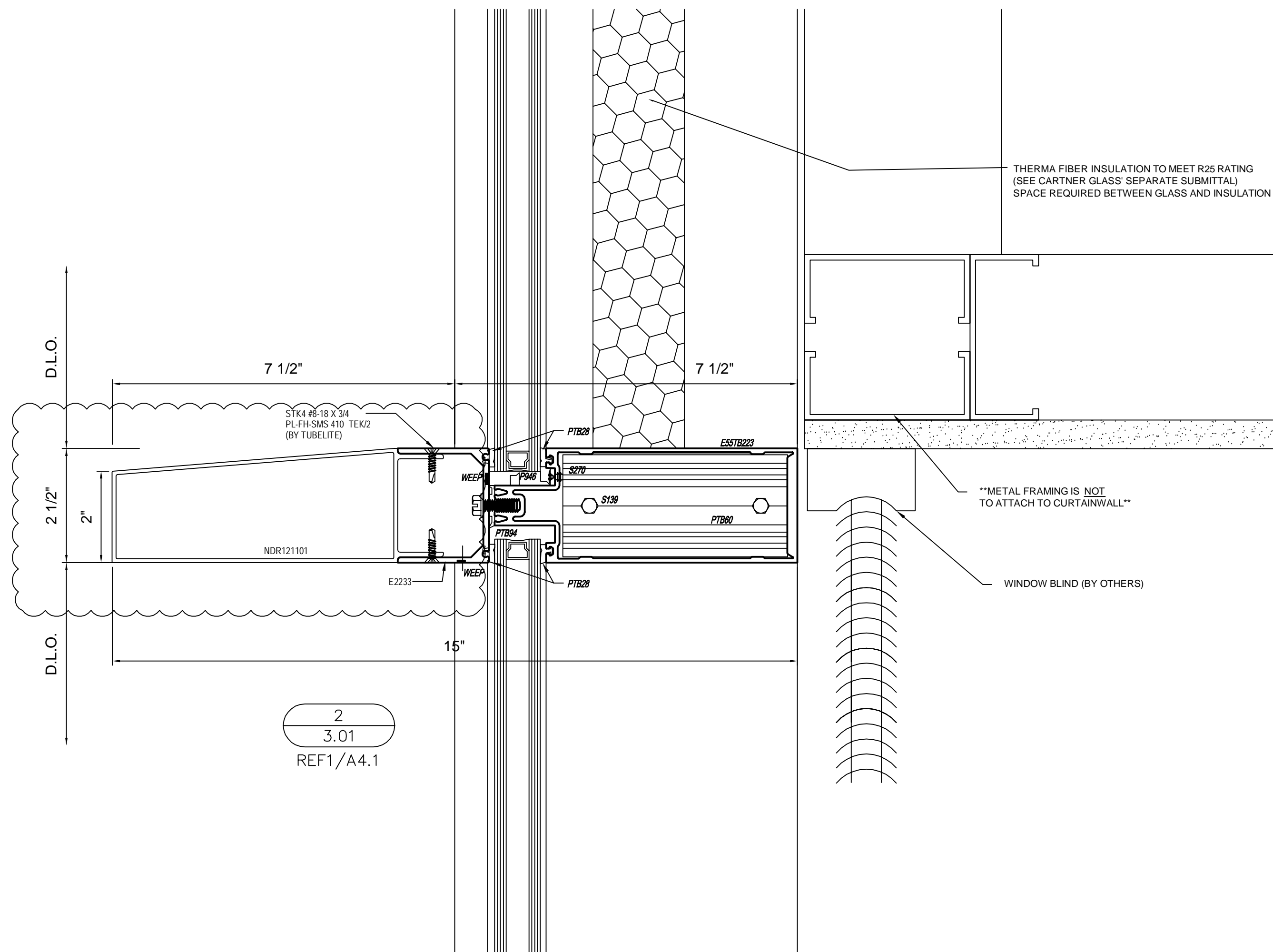
DRAWING SUBMISSION



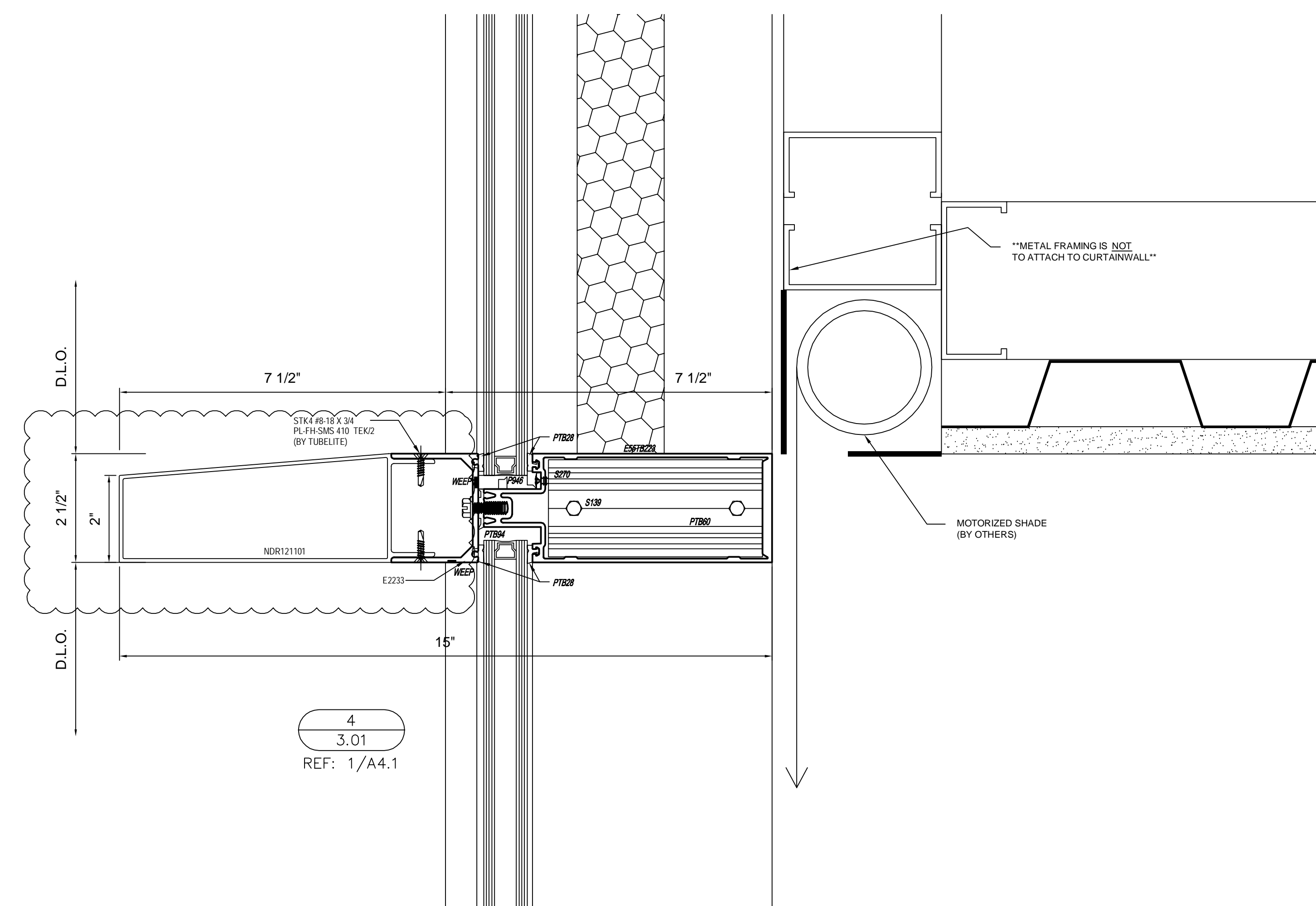
1
3.01
REF: 1/A4.6



3
3.01
REF: 2A/A4.6



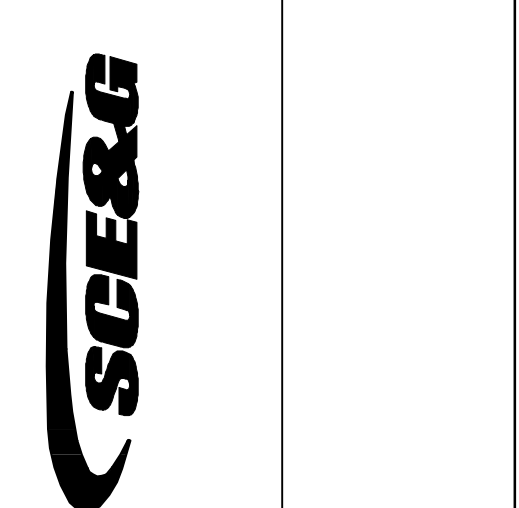
2
3.01
REF: 1/A4.1



4
3.01
REF: 1/A4.1

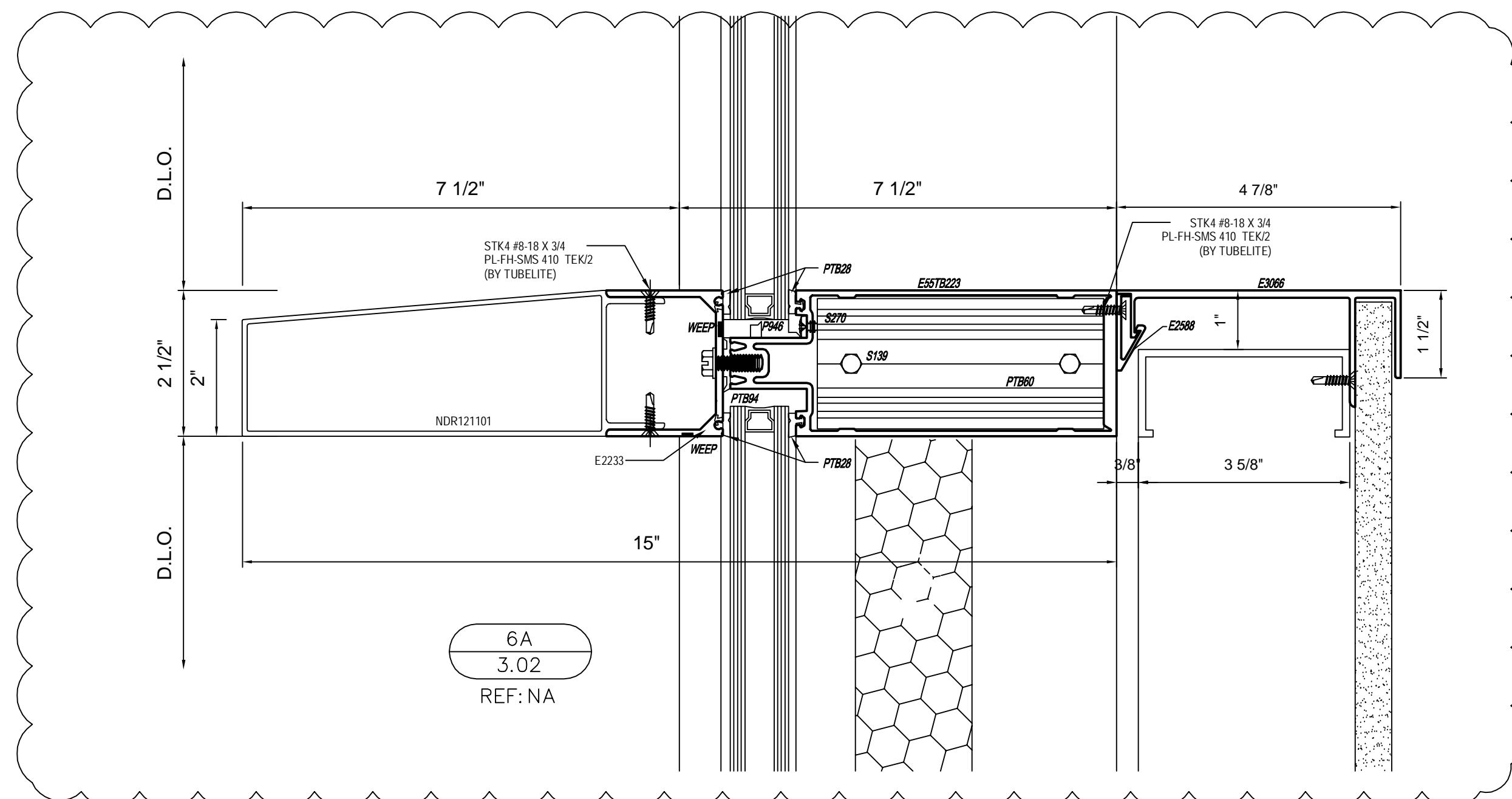
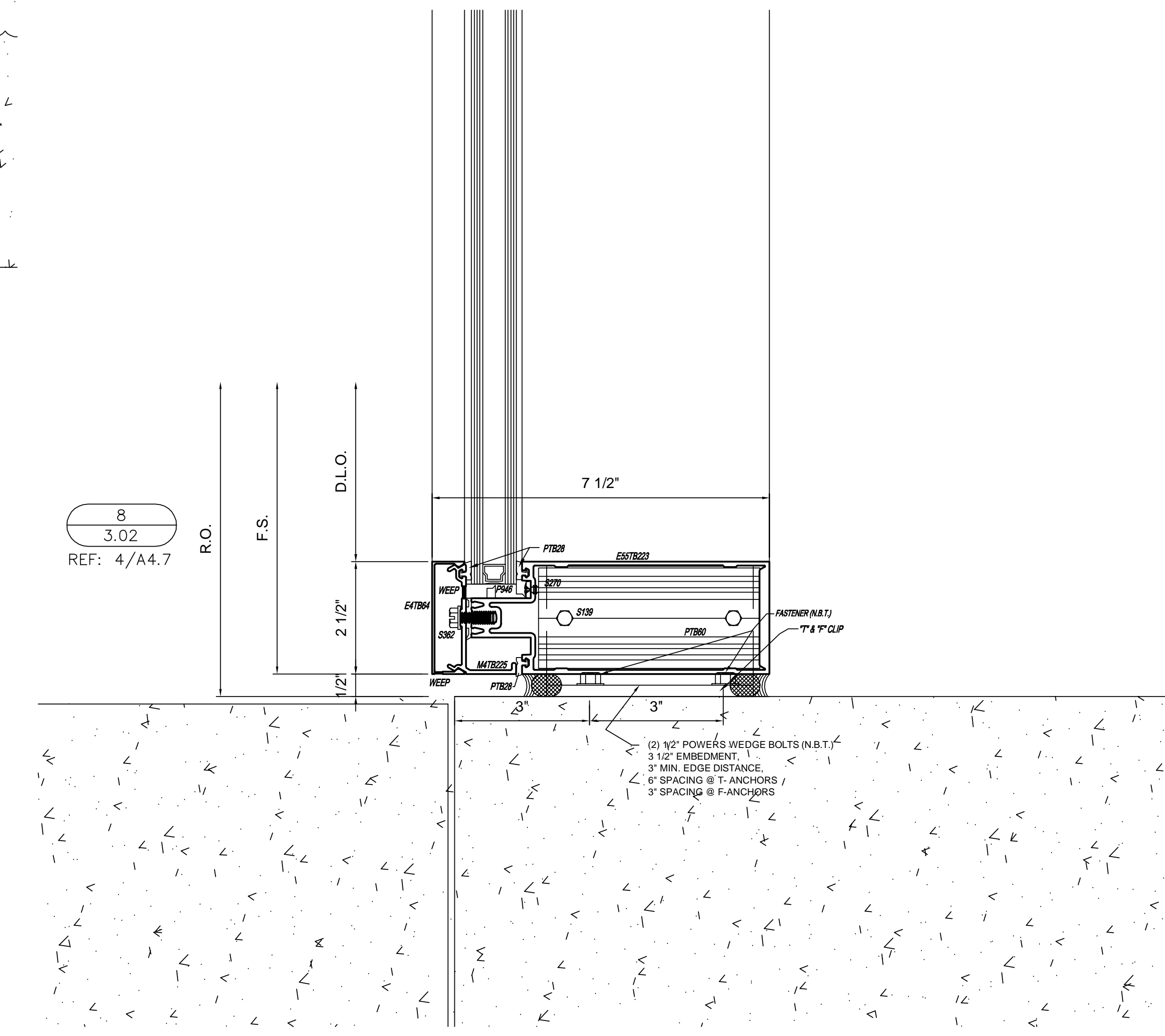
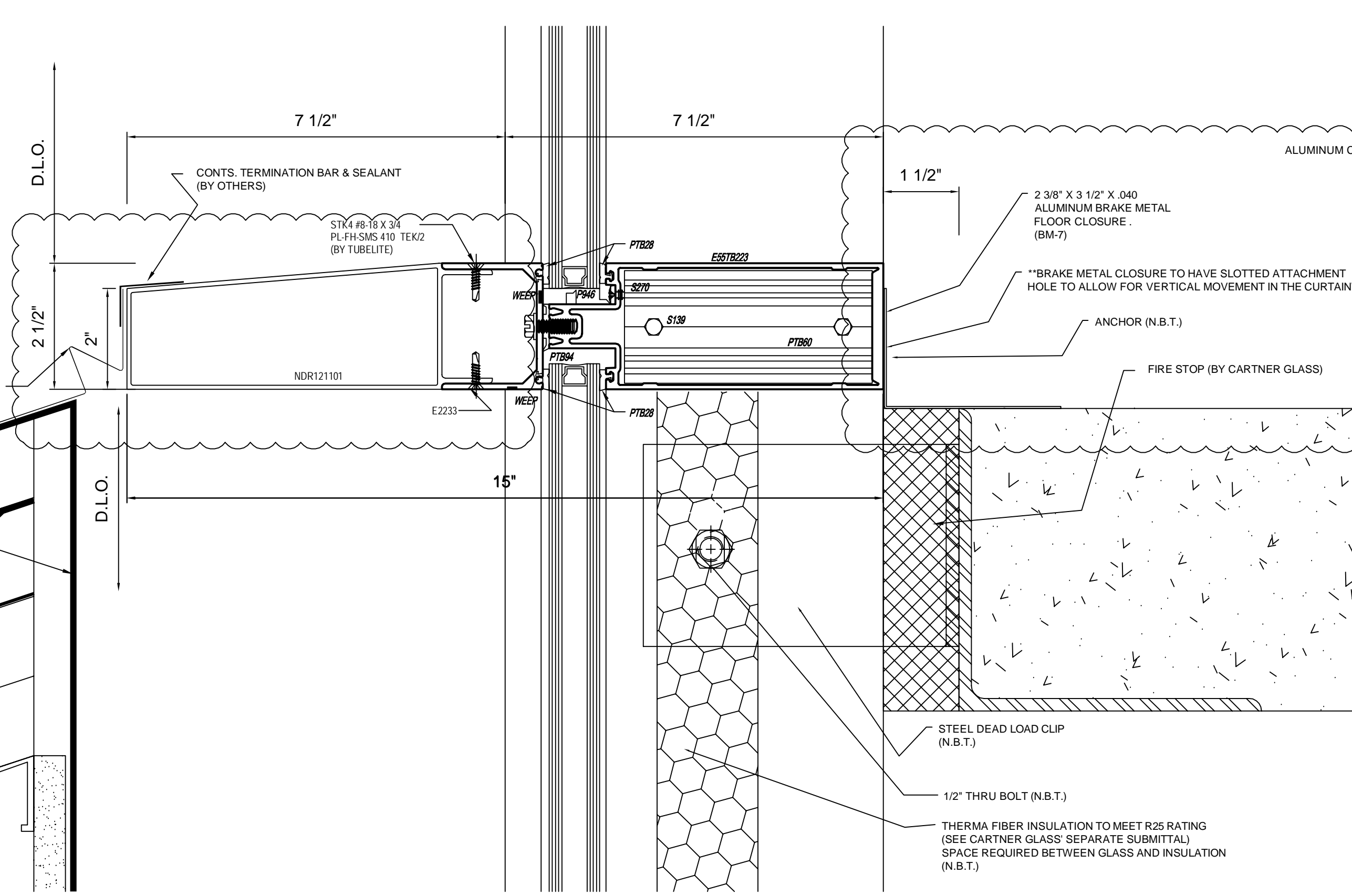
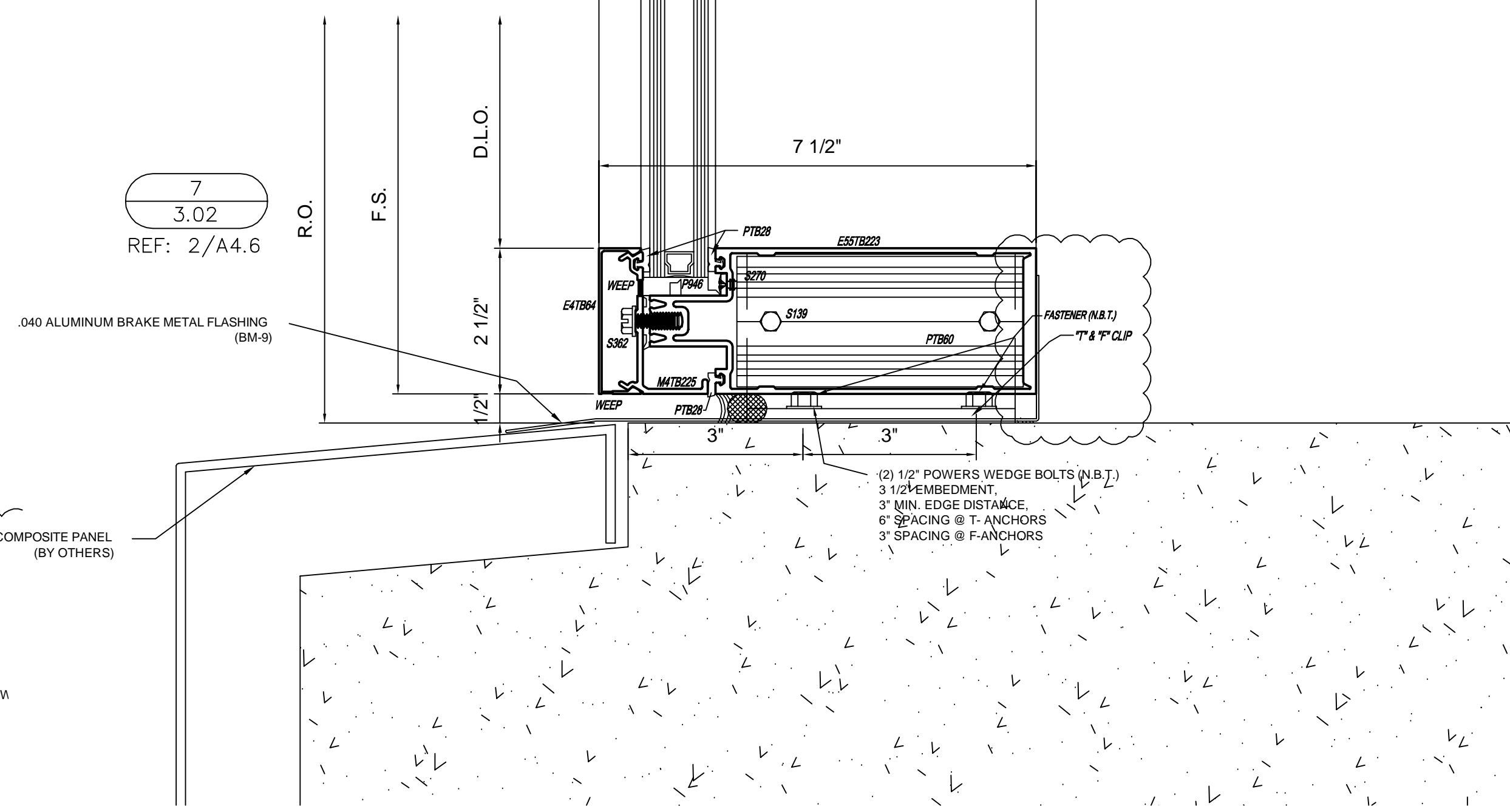
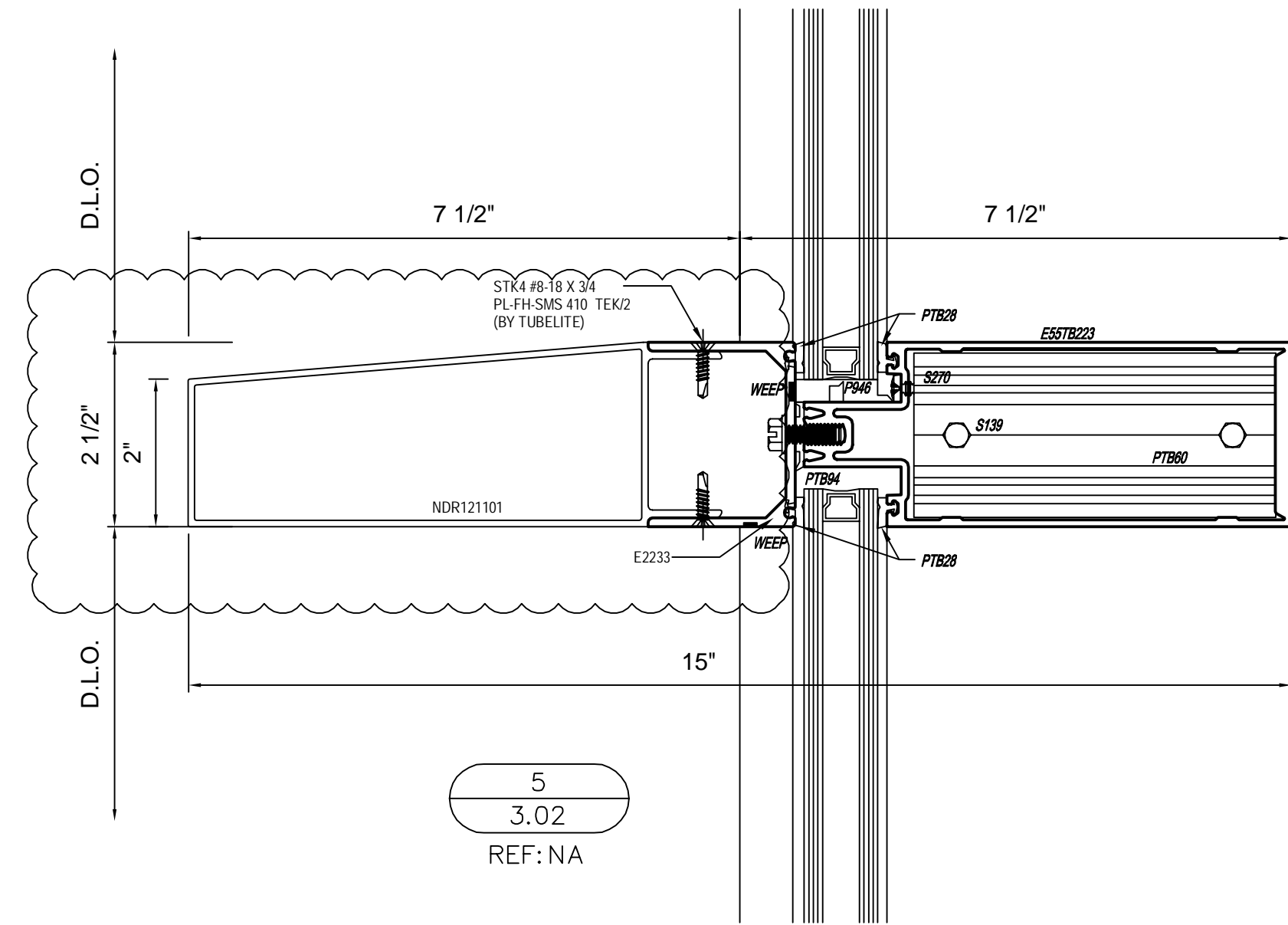
NO	DESCRIPTION	DATE
1ST. REVISION		1/10/12
1ST. SUBMISSION (ENGINEERING CALCS)		11/7/11
1ST. SUBMISSION		9/6/11

TUBELITE
 STOREFRONTS & ENTRANCES
DEPENDABLE
 3056 WALKER RIDGE DRIVE, NW, SUITE G
 WALKER, MICHIGAN 49544
 800-866-2227 PHONE
 www.tubeliteinc.com



PROJECT:	PROJECT INFORMATION
DRAWN BY:	PROJECT ADDRESS
CHECKED BY:	CUSTOMER NAME
JOB NAME:	CUSTOMER ADDRESS
SHEET NO.:	3.01

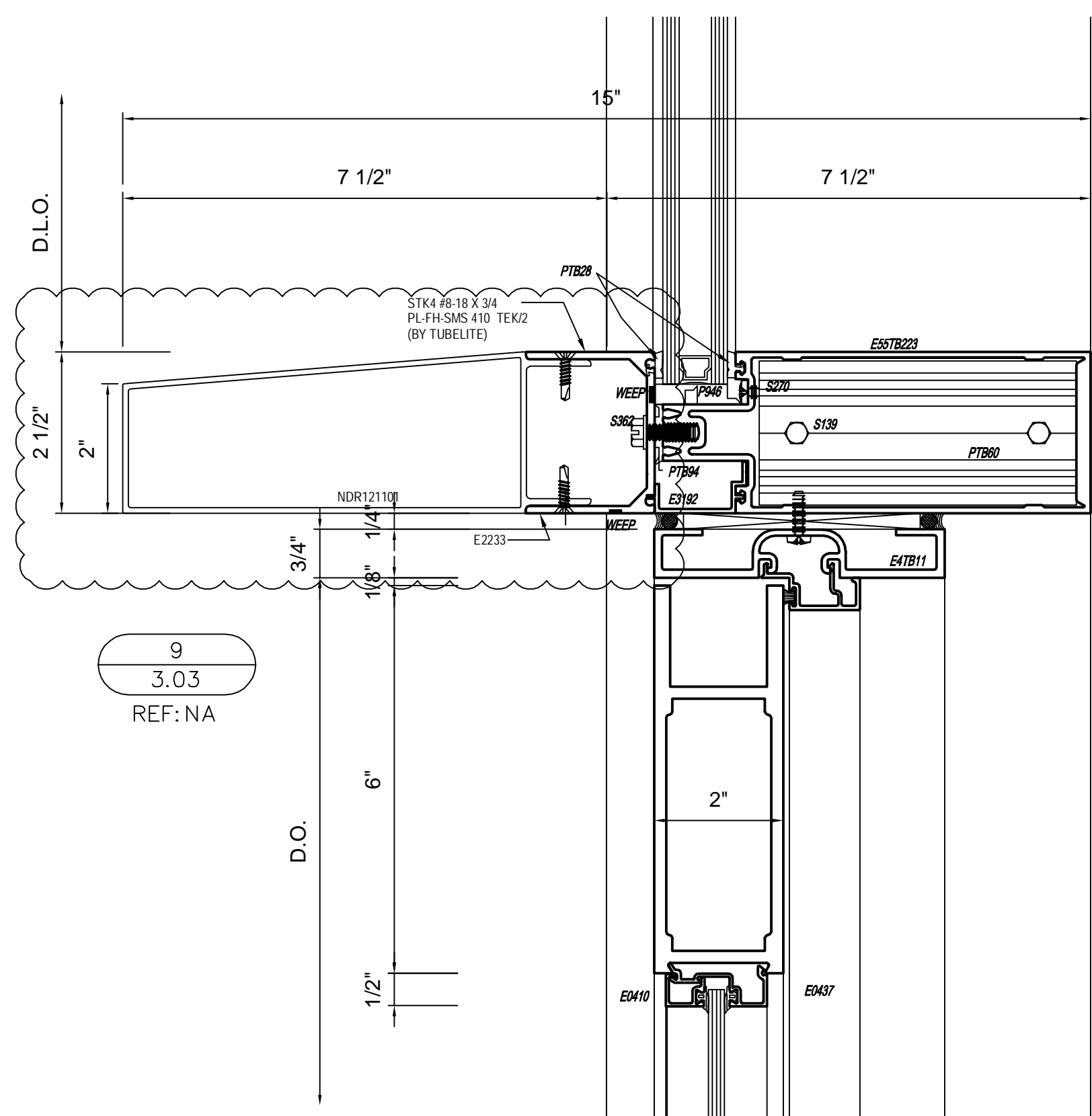
DRAWING SUBMISSION



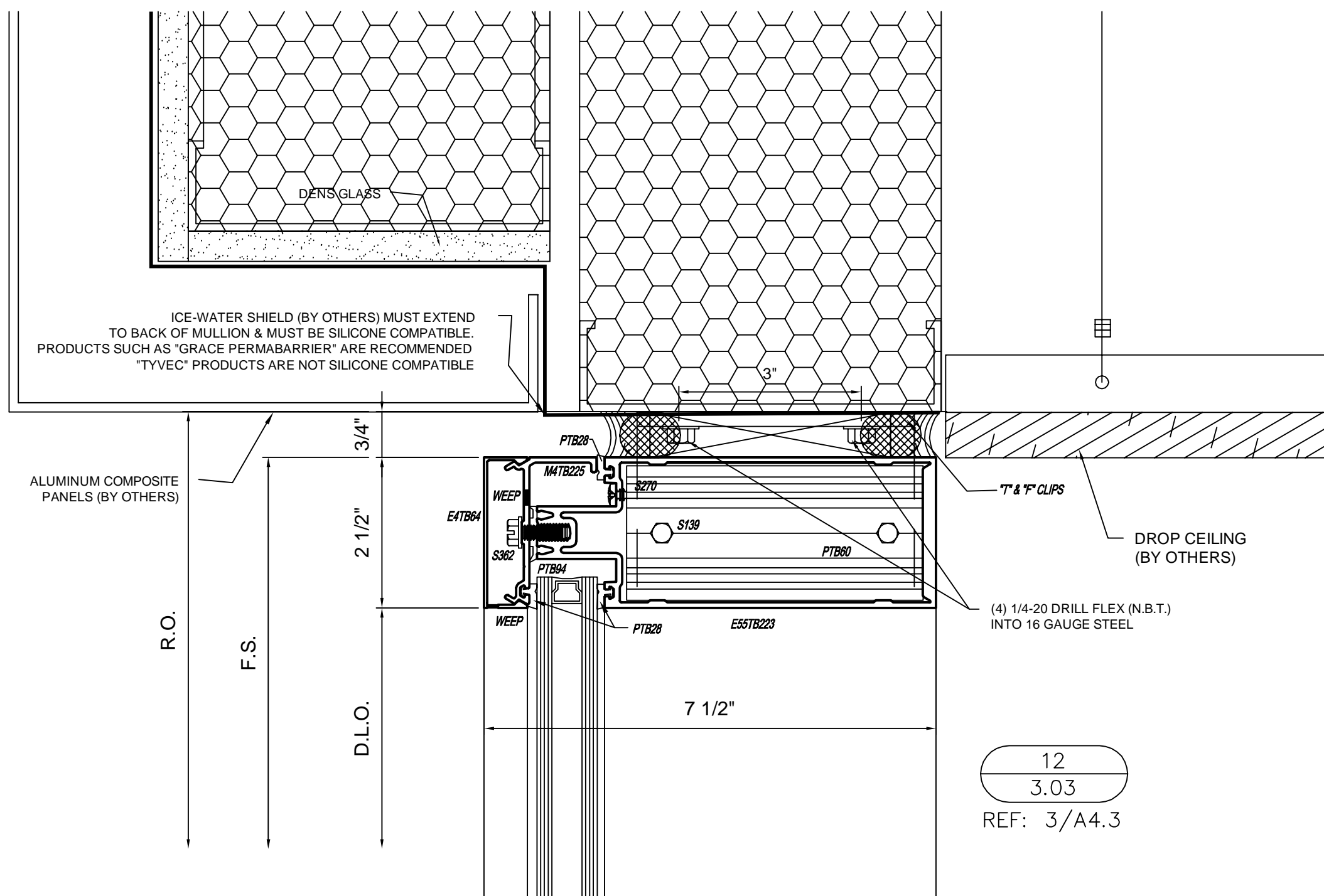
NO	DESCRIPTION	DATE
1ST. REVISION		1/10/12
1ST. SUBMISSION (ENGINEERING CALCS)		11/7/11
1ST. SUBMISSION		9/6/11

TUBELITE
 STOREFRONTS & ENTRANCES
DEPENDABLE
 3056 WALKER RIDGE DRIVE, NW, SUITE G
 WALKER, MICHIGAN 49544
 800-866-2227 PHONE
 www.tubeliteinc.com

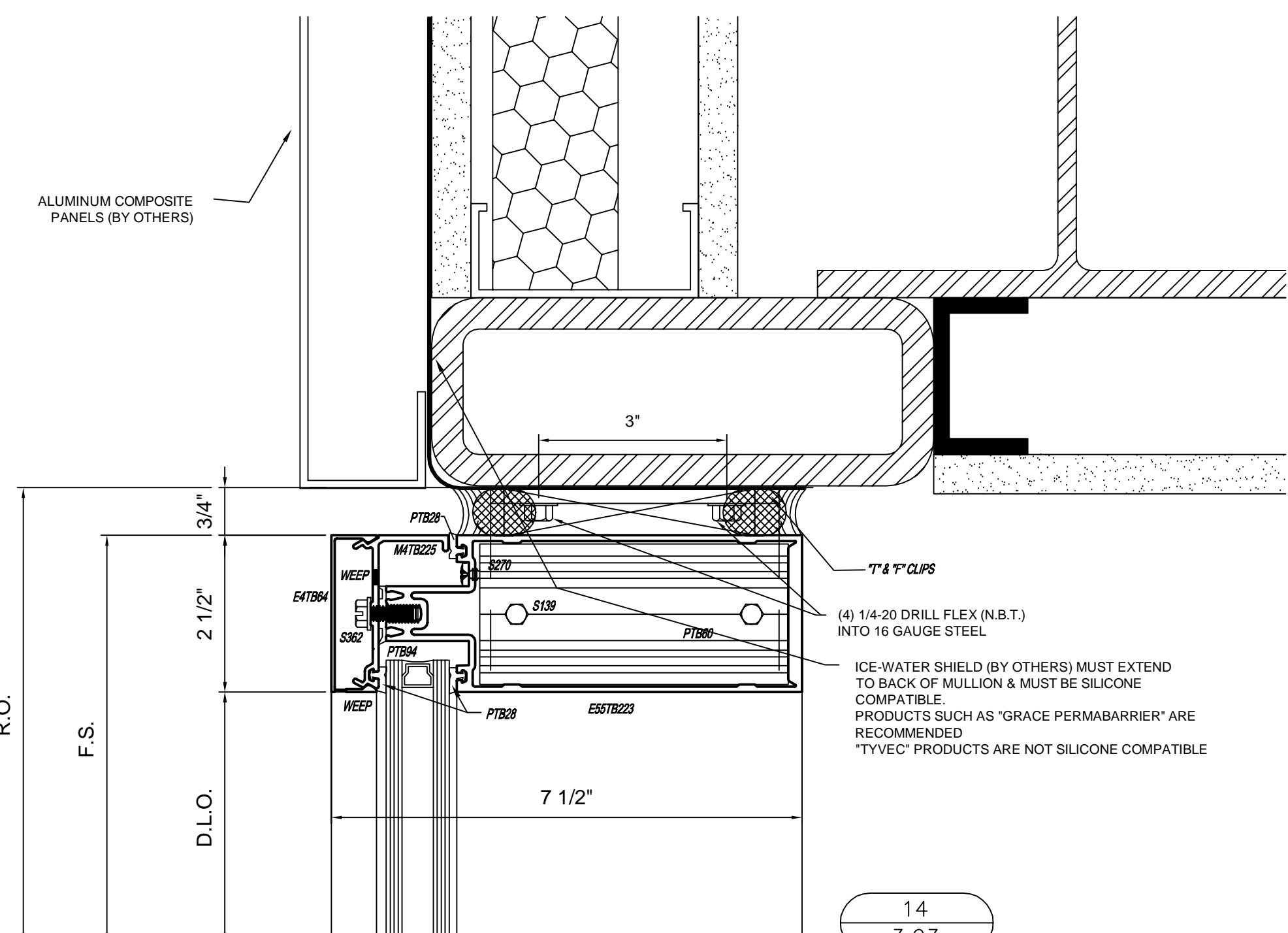
PROJECT INFORMATION	
PROJECT ADDRESS	
SUB CONTRACTOR/INSTALLER	
CUSTOMER NAME	CUSTOMER ADDRESS
DRAWING SUBMISSION	
DATE: 9/6/11	
DATE: 9/6/11	
JOB NAME: VC SUMMER NUCLEAR	
SHEET NO.: 3.02	



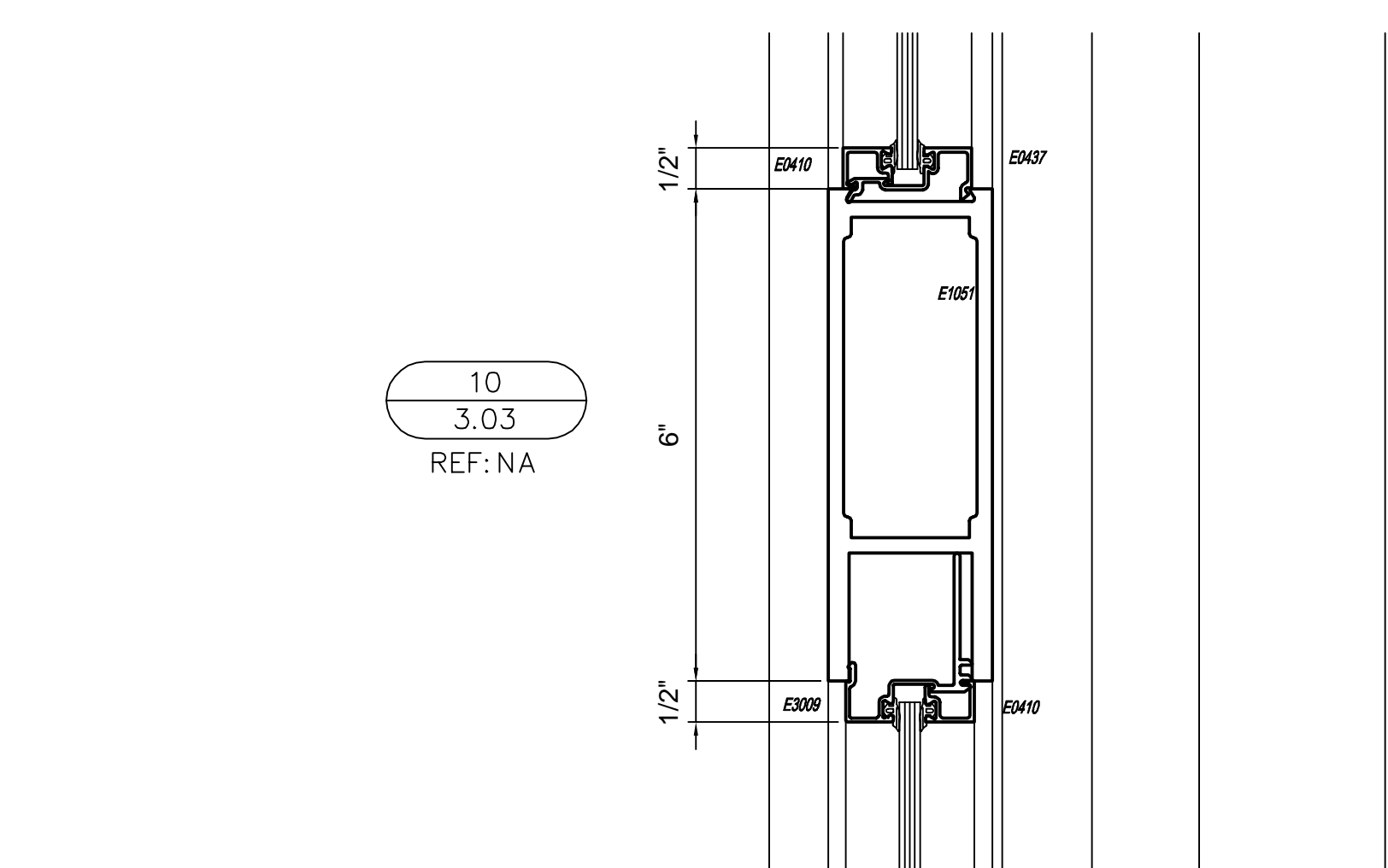
9
3.03
REF: NA



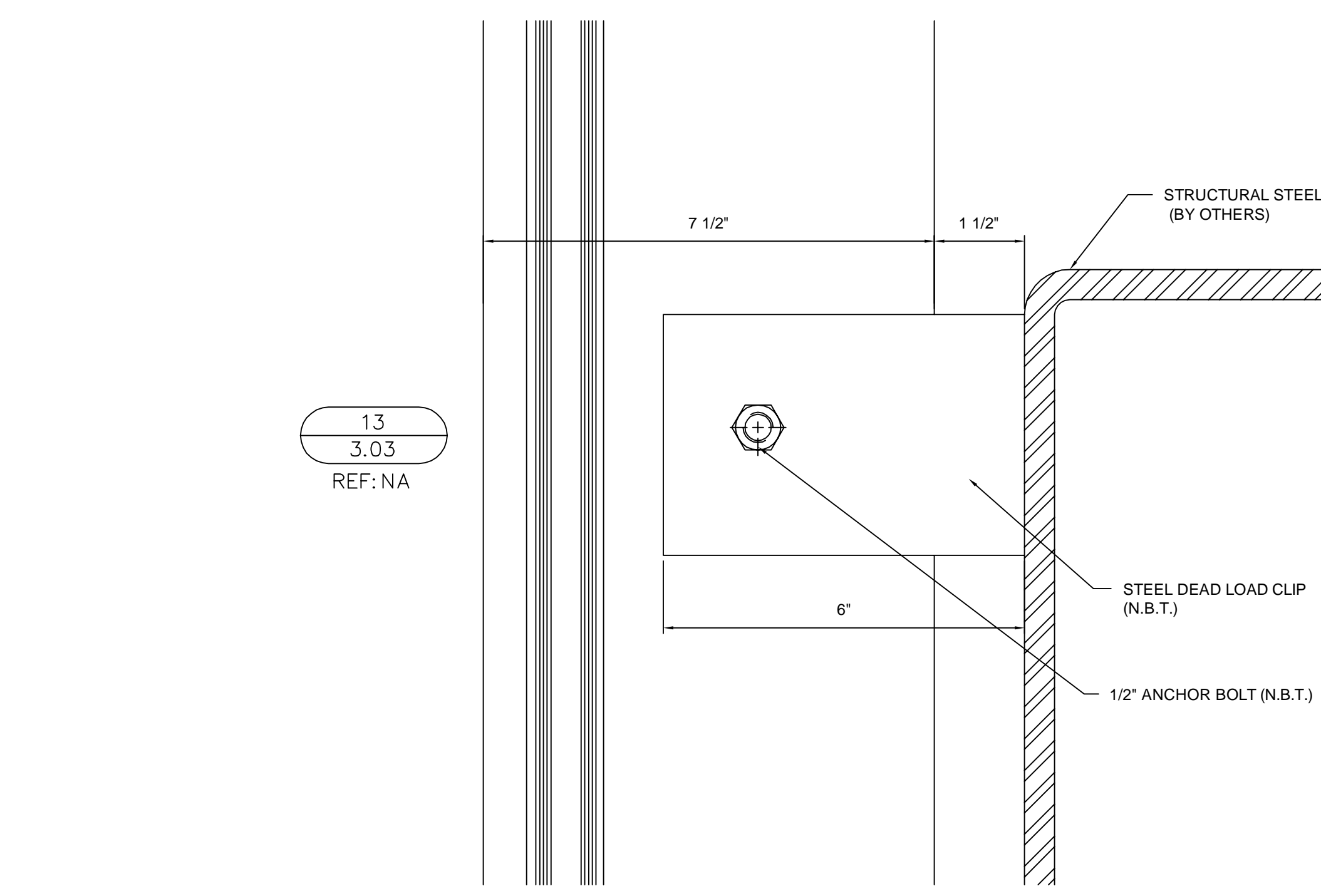
12
3.03
REF: 3/A4.3



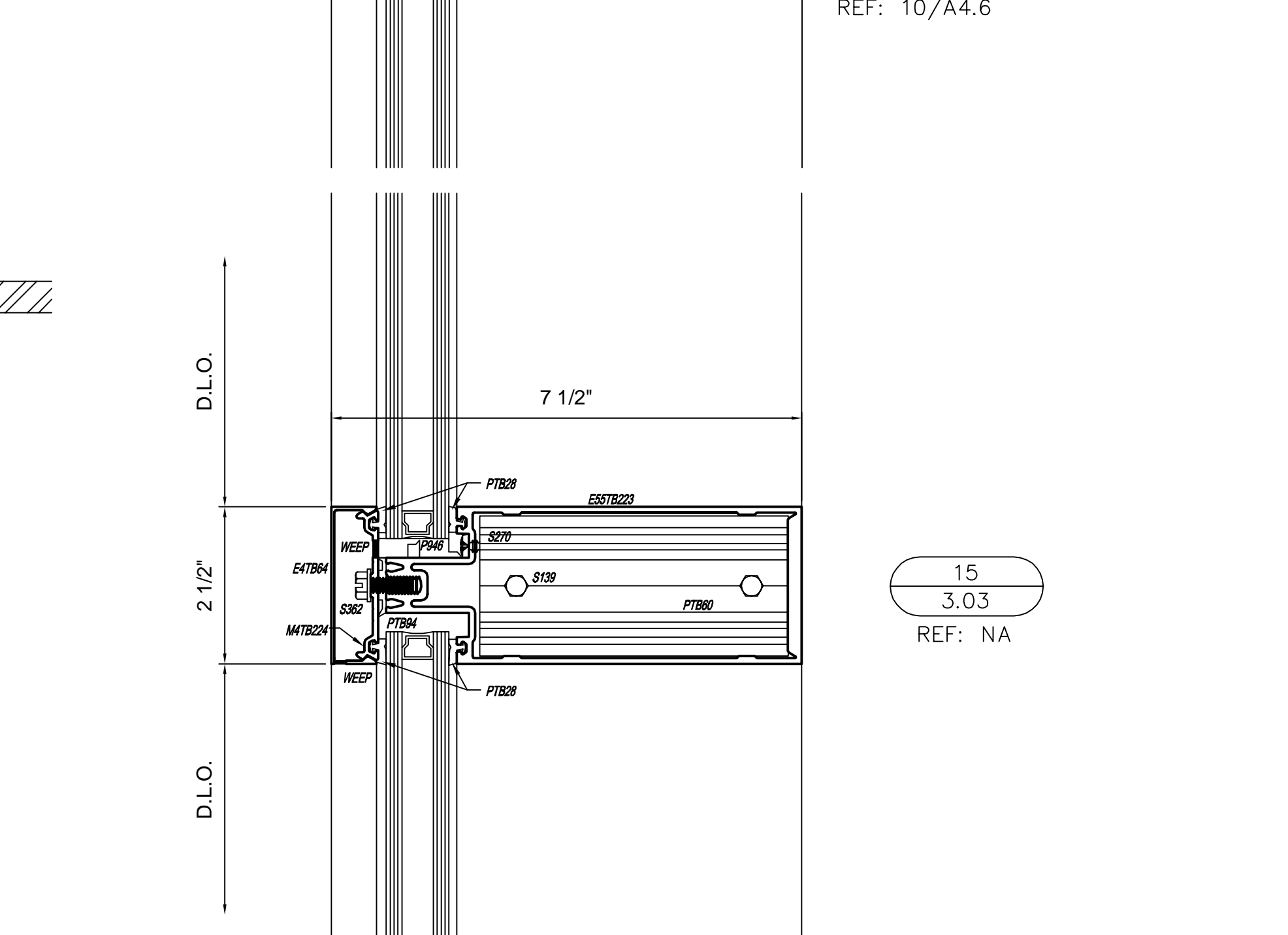
14
3.03
REF: 10/A4.6



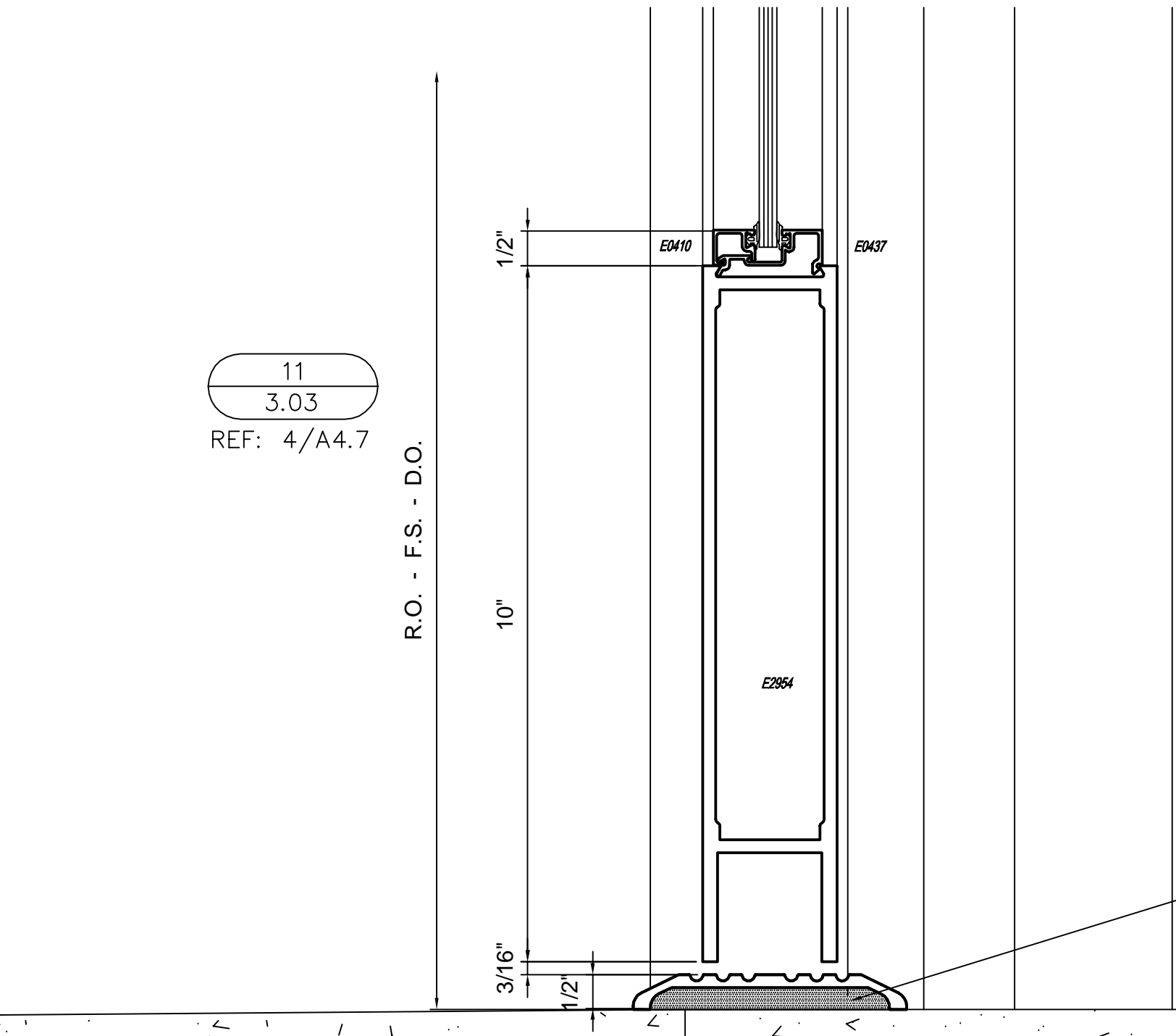
10
3.03
REF: NA



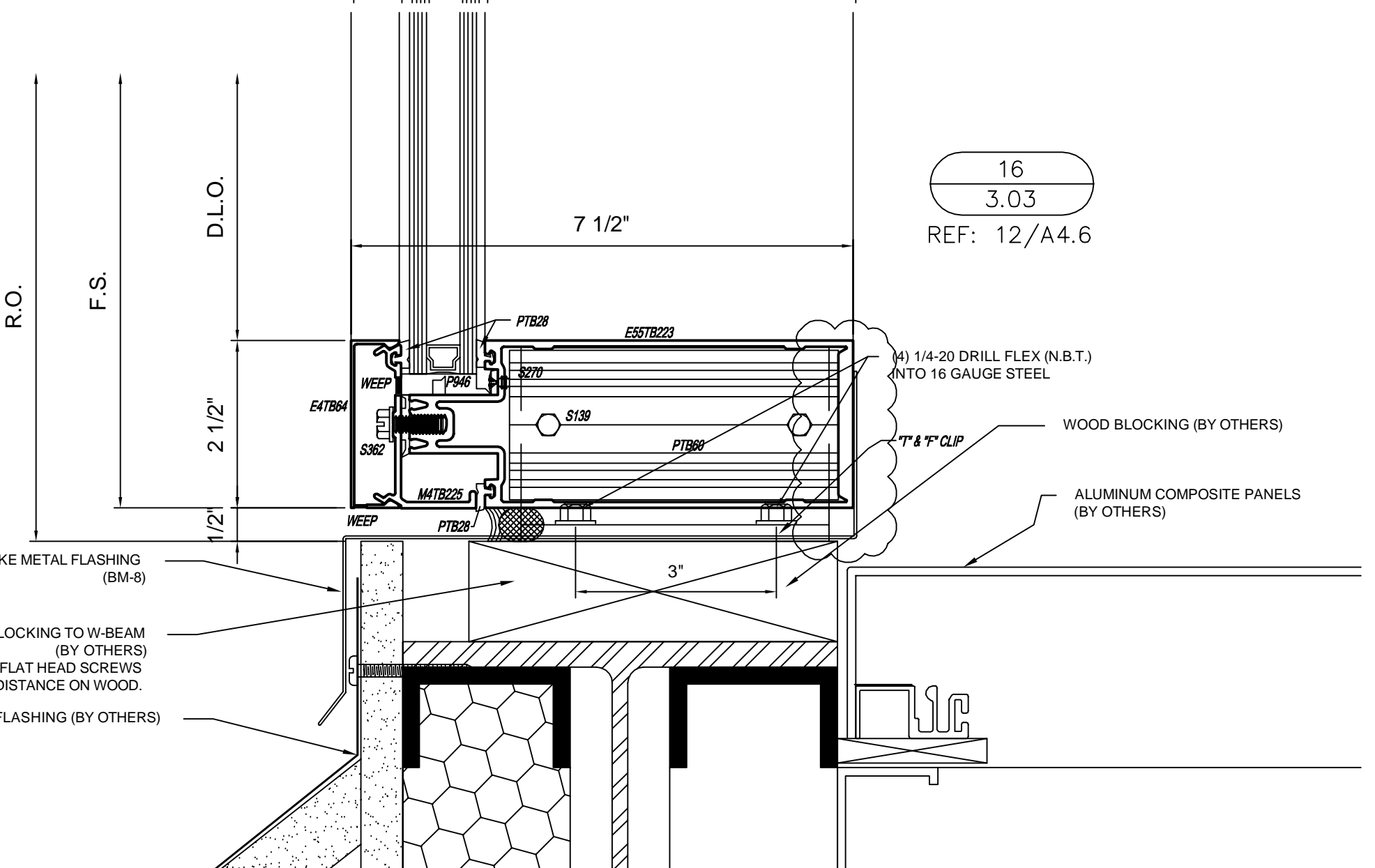
13
3.03
REF: NA



15
3.03
REF: NA



11
3.03
REF: 4/A4.7



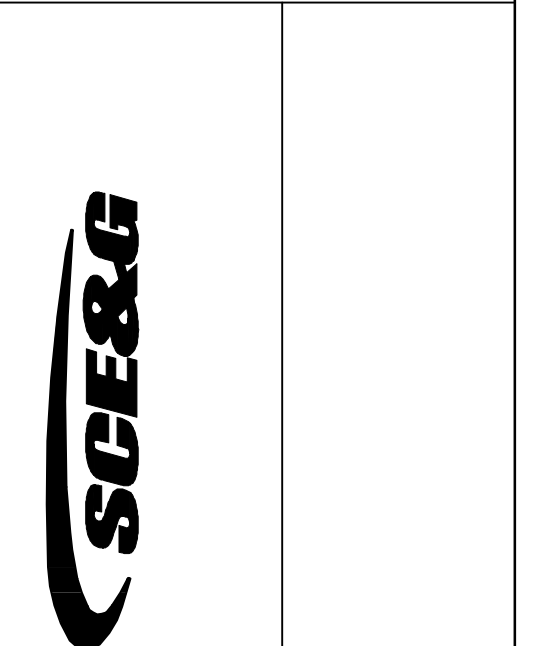
16
3.03
REF: 12/A4.6

SET THRESHOLD IN BED OF SILICONE SEALANT

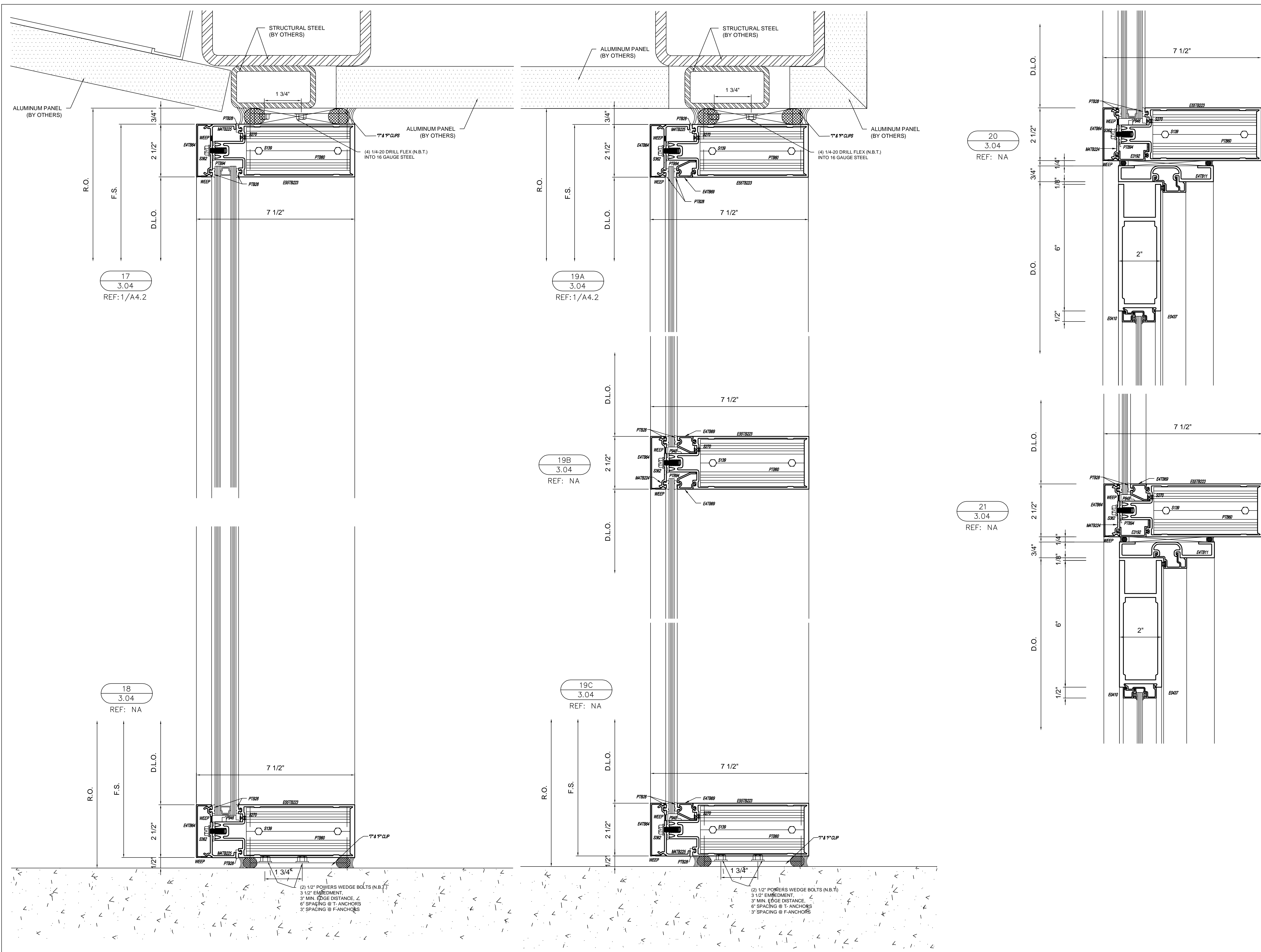
.040 ALUMINUM BRAKE METAL FLASHING (BM-8)
FASTEN BLOCKING TO W-BEAM (BY OTHERS) WITH (4) #12 DRILLFLEX FLAT HEAD SCREWS WITH 1" MINIMUM EDGE DISTANCE ON WOOD.
ROOF FLASHING (BY OTHERS)

NO	DESCRIPTION	DATE
1ST. REVISION		1/10/12
1ST. SUBMISSION (ENGINEERING CALCS)		11/7/11
1ST. SUBMISSION		9/6/11

TUBELITE
DEPENDABLE
STOREFRONTS & ENTRANCES
3056 WALKER RIDGE DRIVE, NW, SUITE G
WALKER, MICHIGAN 49544
800-866-2227 PHONE
www.tubeliteinc.com



PROJECT INFORMATION	
PROJECT ADDRESS	
CUSTOMER NAME	CUSTOMER ADDRESS
PROJECT: VC SUMMER NUCLEAR	
DRAWN BY: CW	DATE: 9/6/11
CHECKED BY: JR	DATE: 9/6/11
JOB NAME:	
SHEET NO.: 3.03	



20
3.04
REF: NA

19A
3.04
REF: 1/A4.2

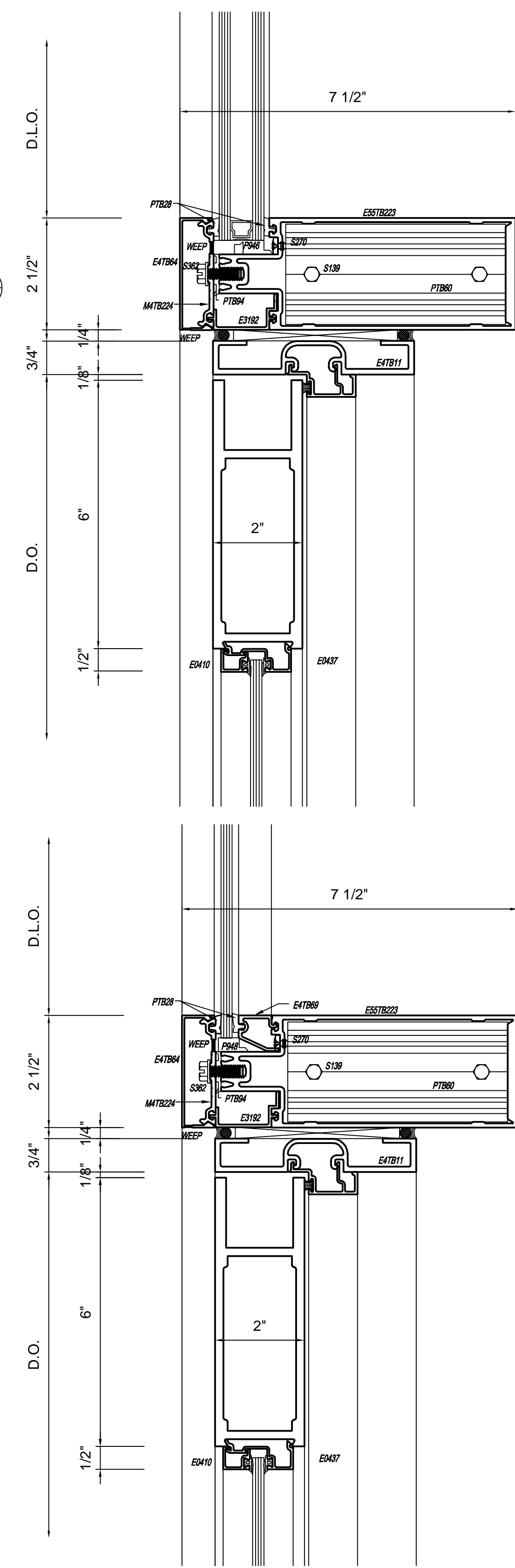
19B
3.04
REF: NA

19C
3.04
REF: NA

21
3.04
REF: NA

17
3.04
REF: 1/A4.2

18
3.04
REF: NA



NO	DESCRIPTION	DATE
1	1ST. REVISION	1/10/12
2	1ST. SUBMISSION (ENGINEERING CALCS)	11/7/11
3	1ST. SUBMISSION	9/6/11

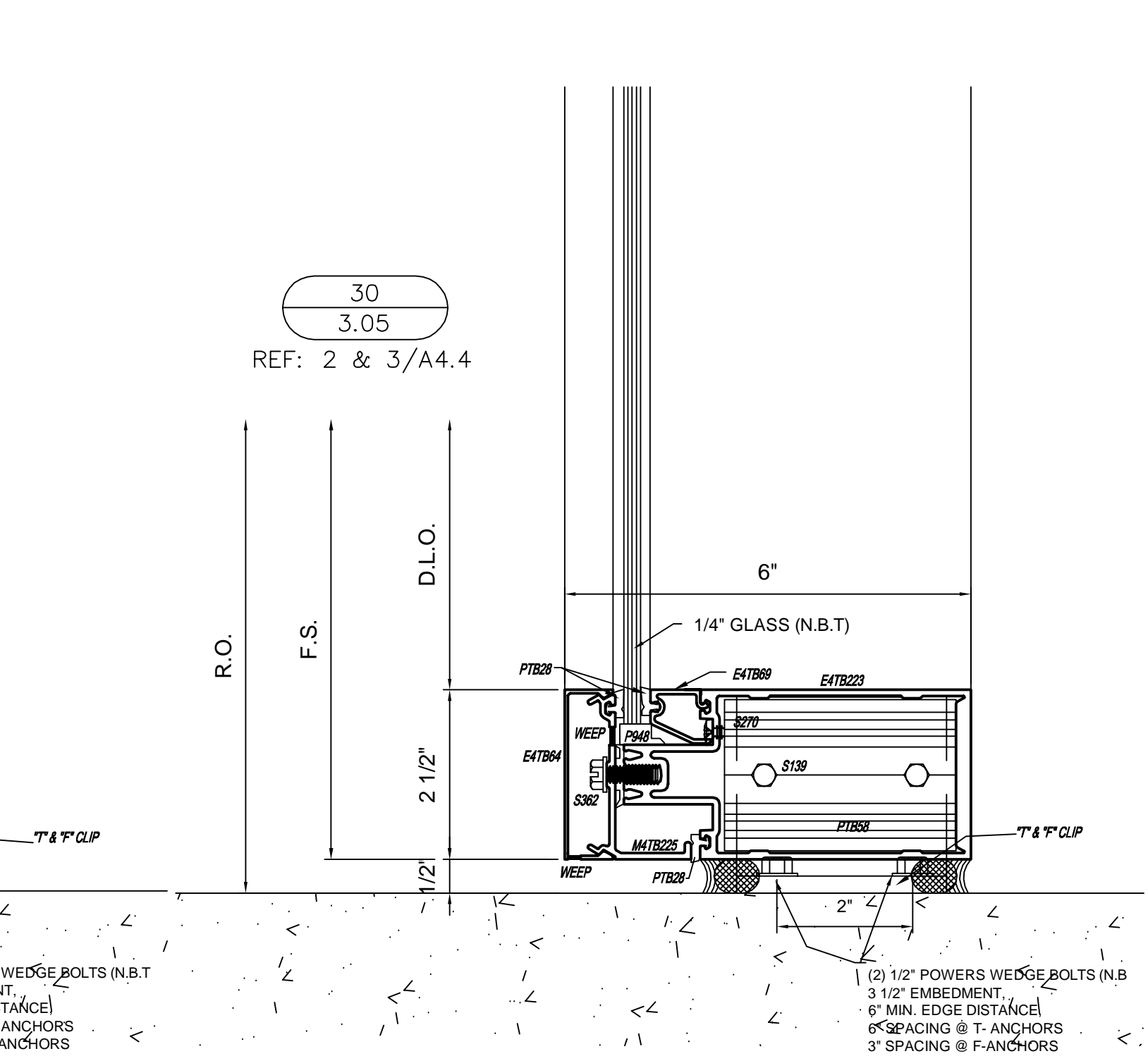
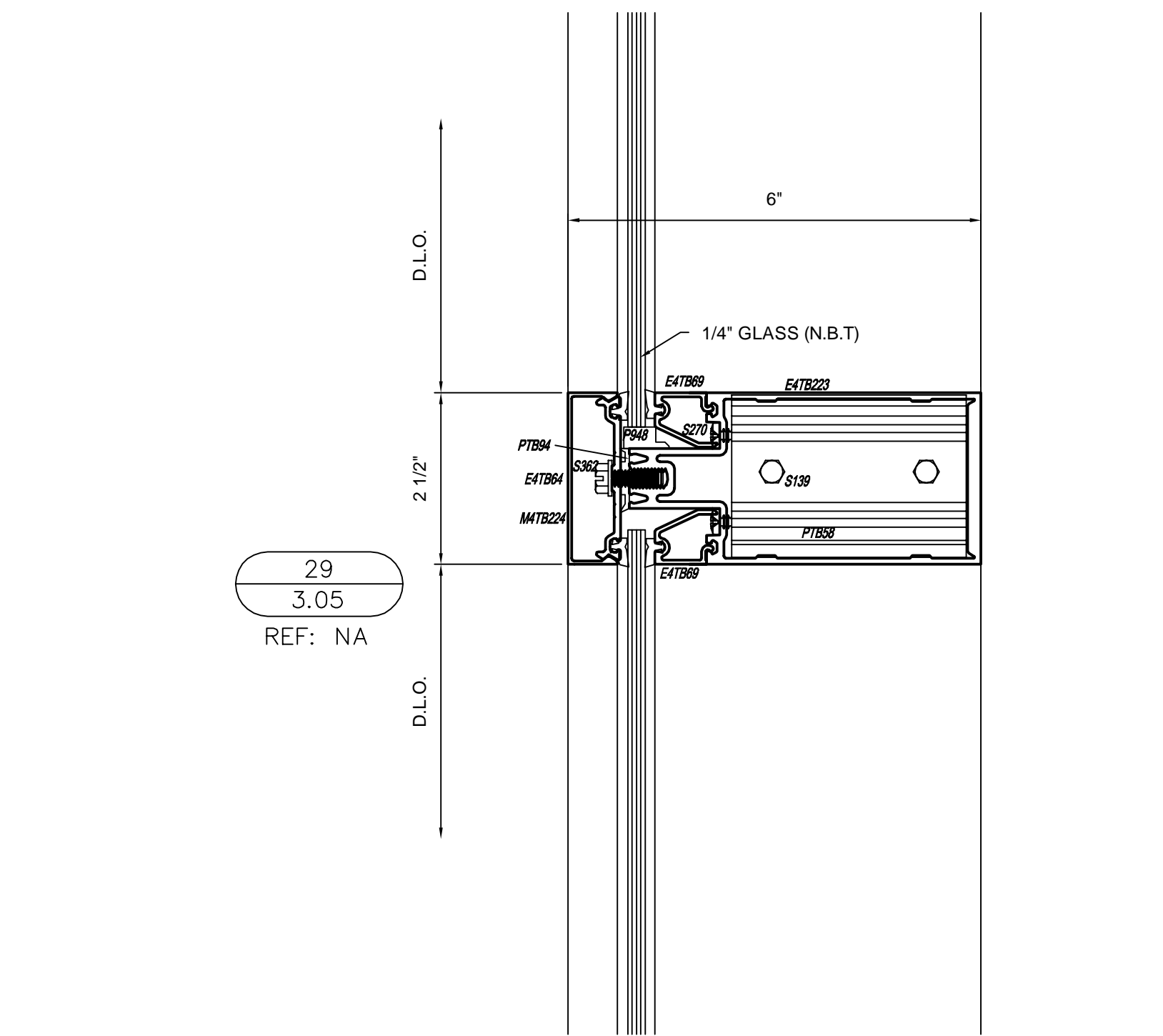
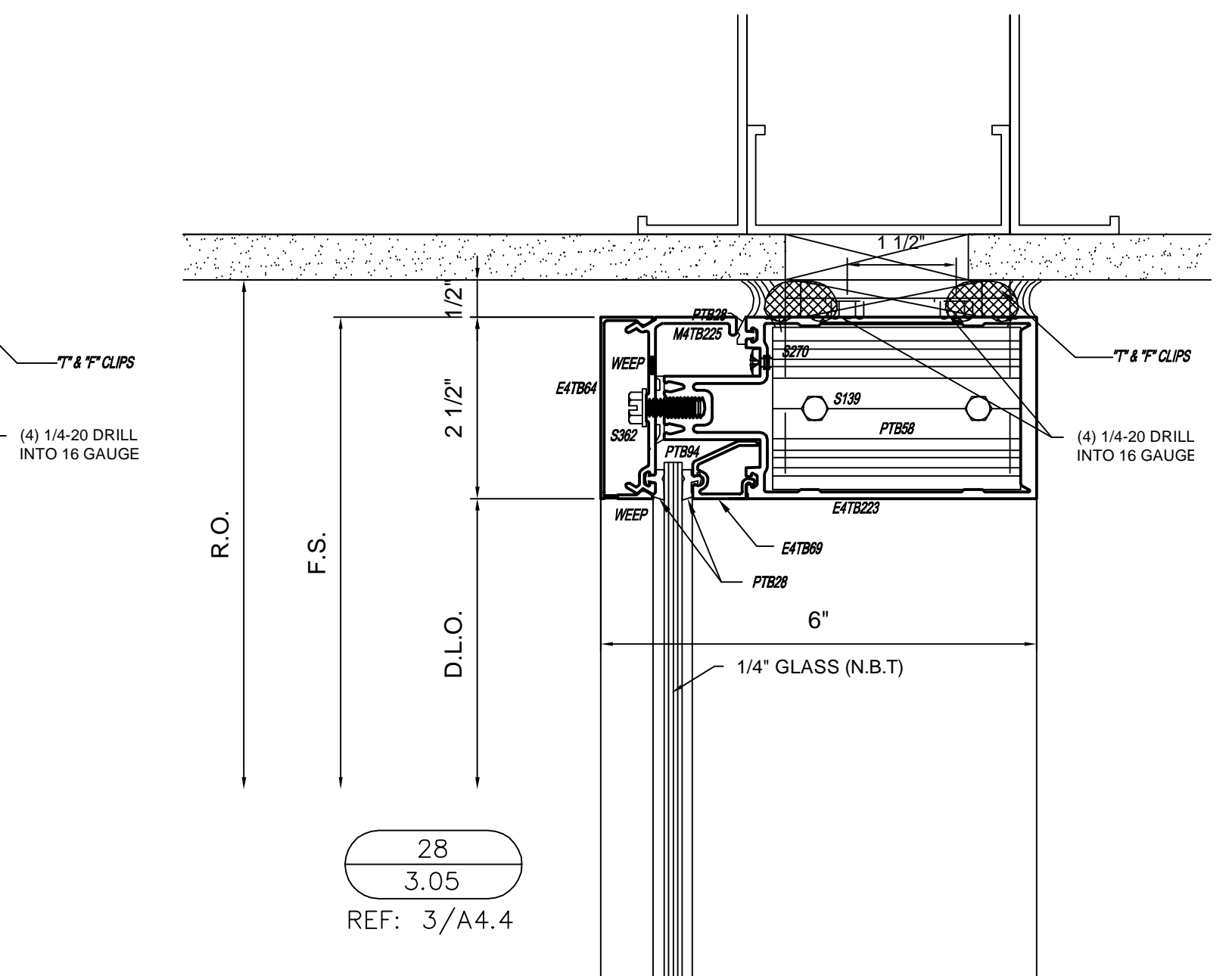
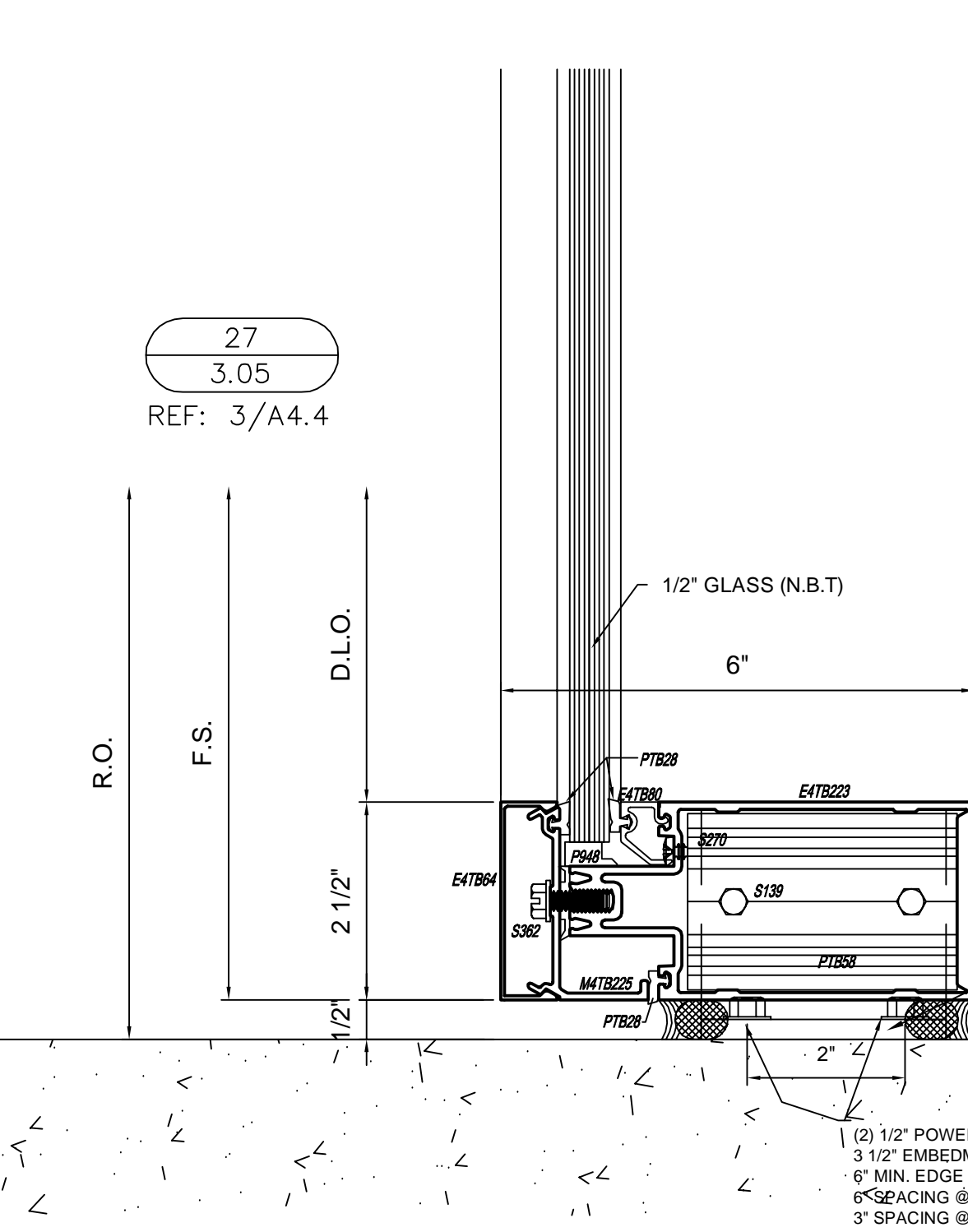
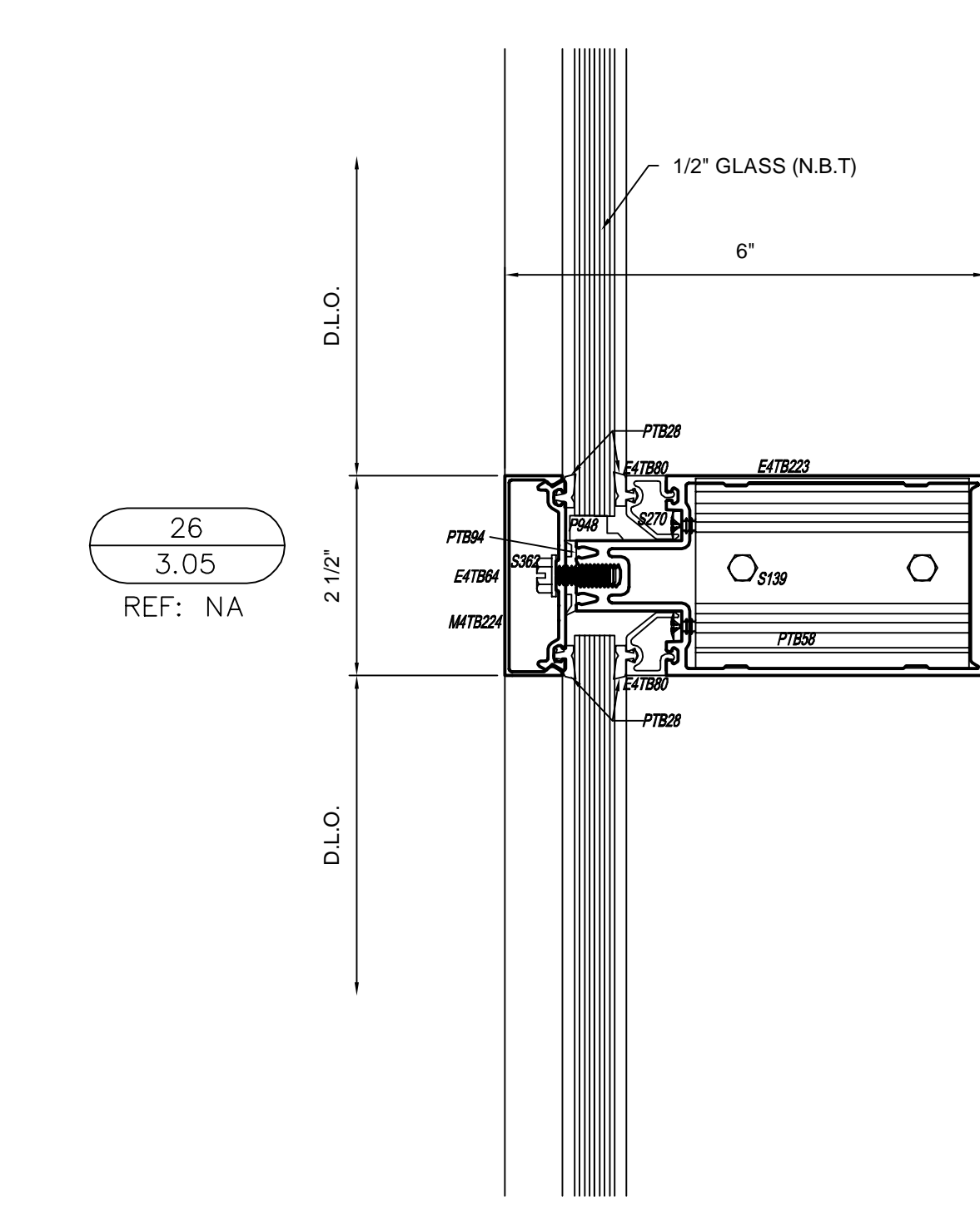
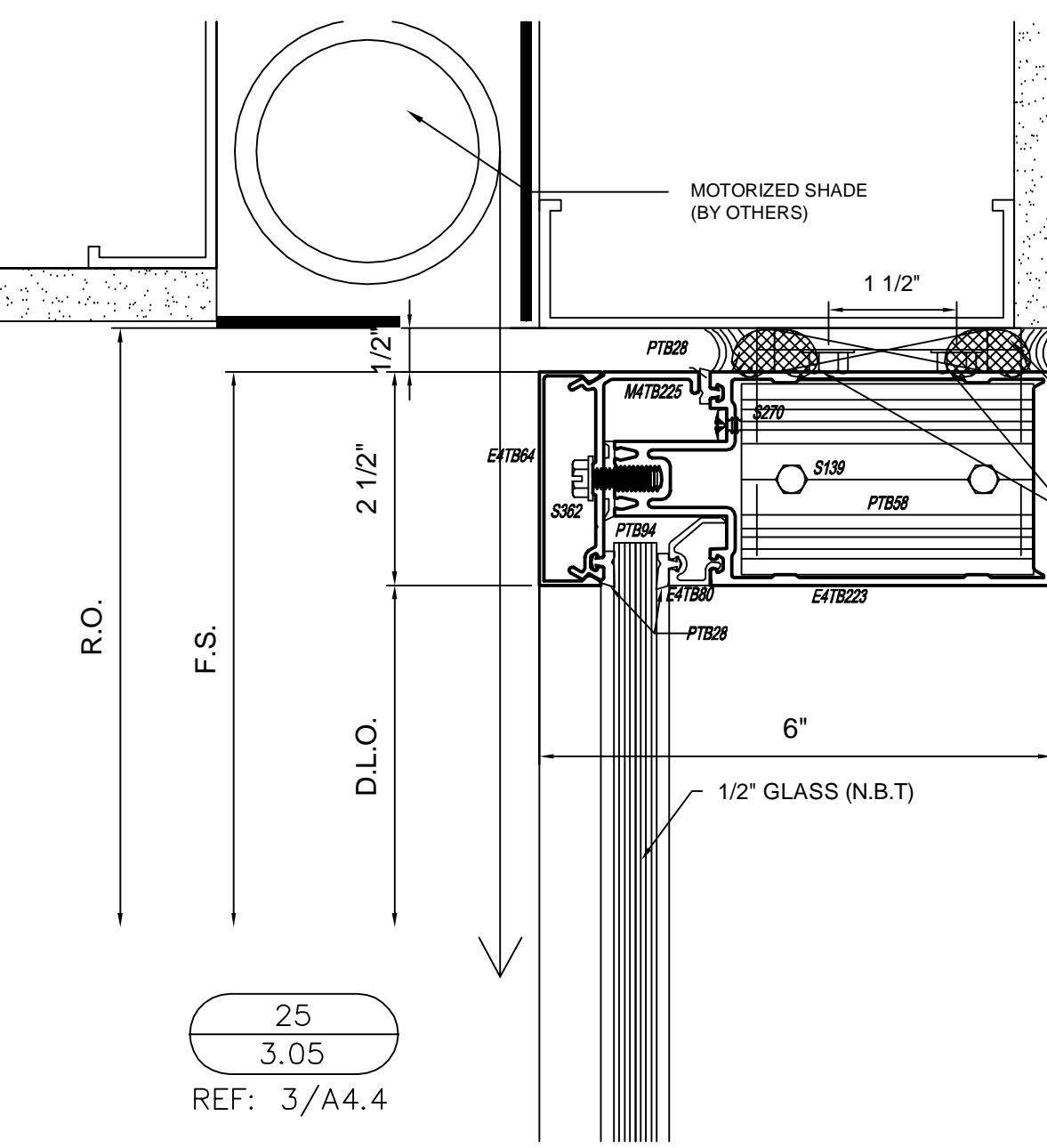
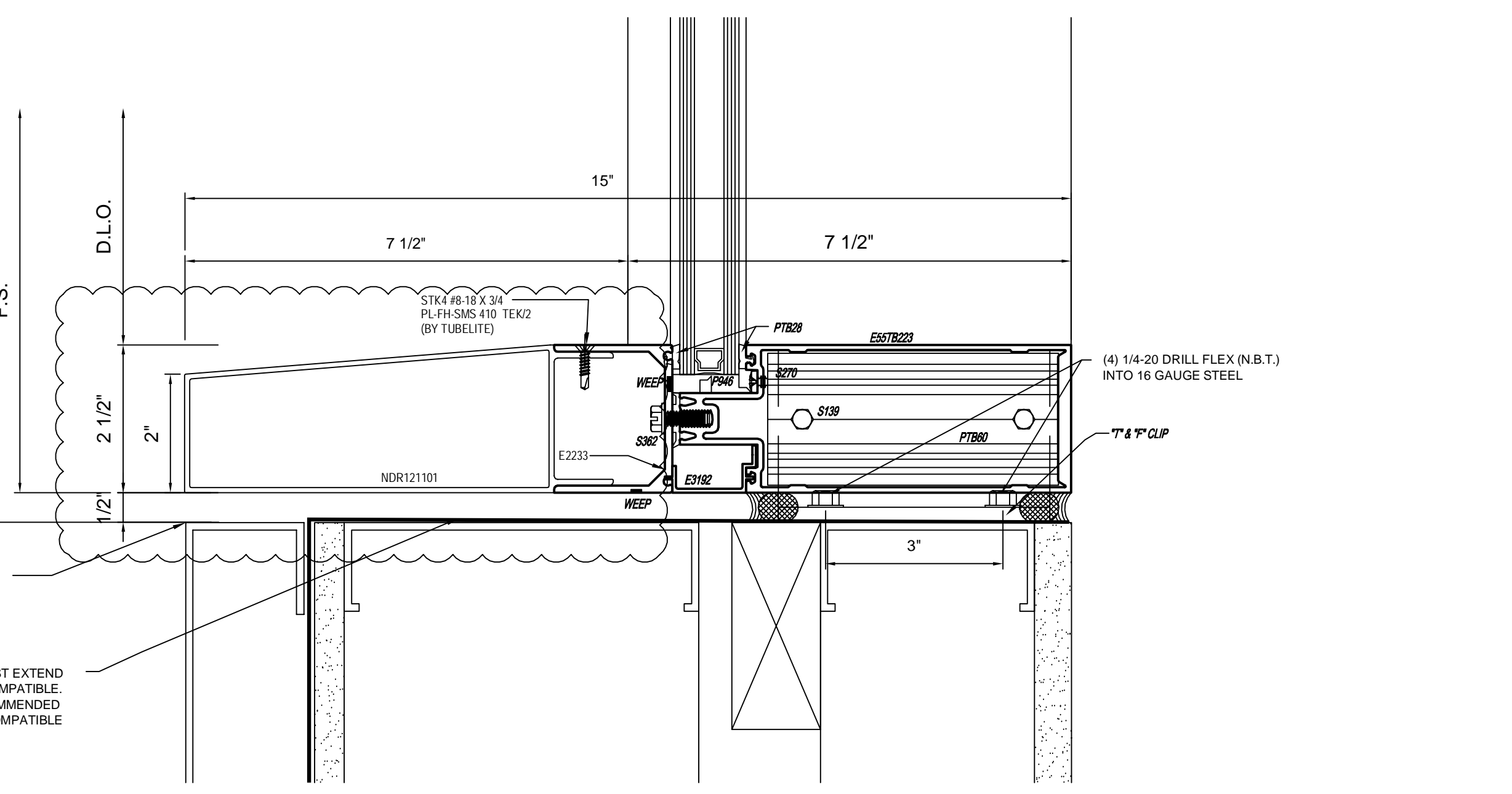
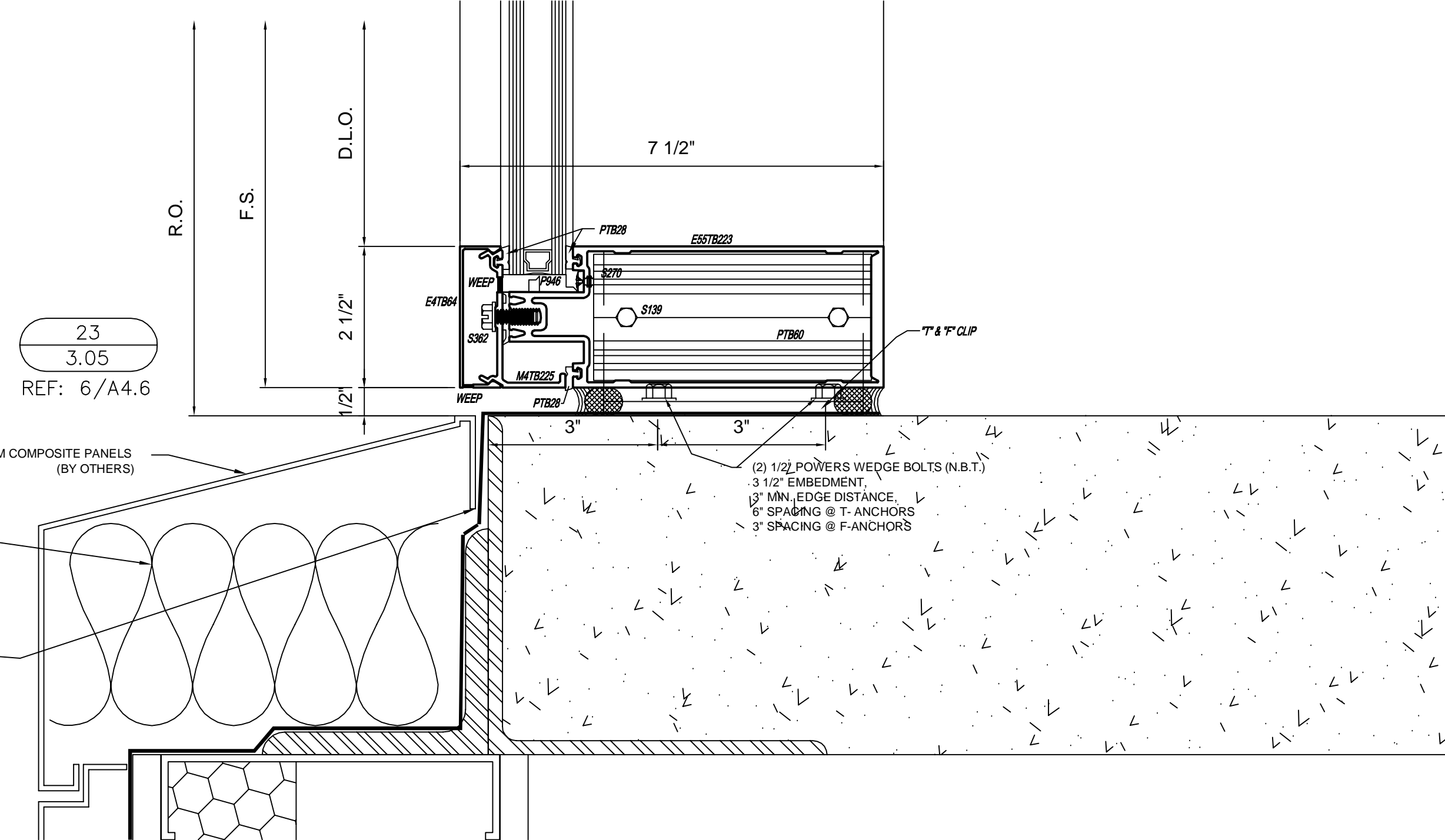
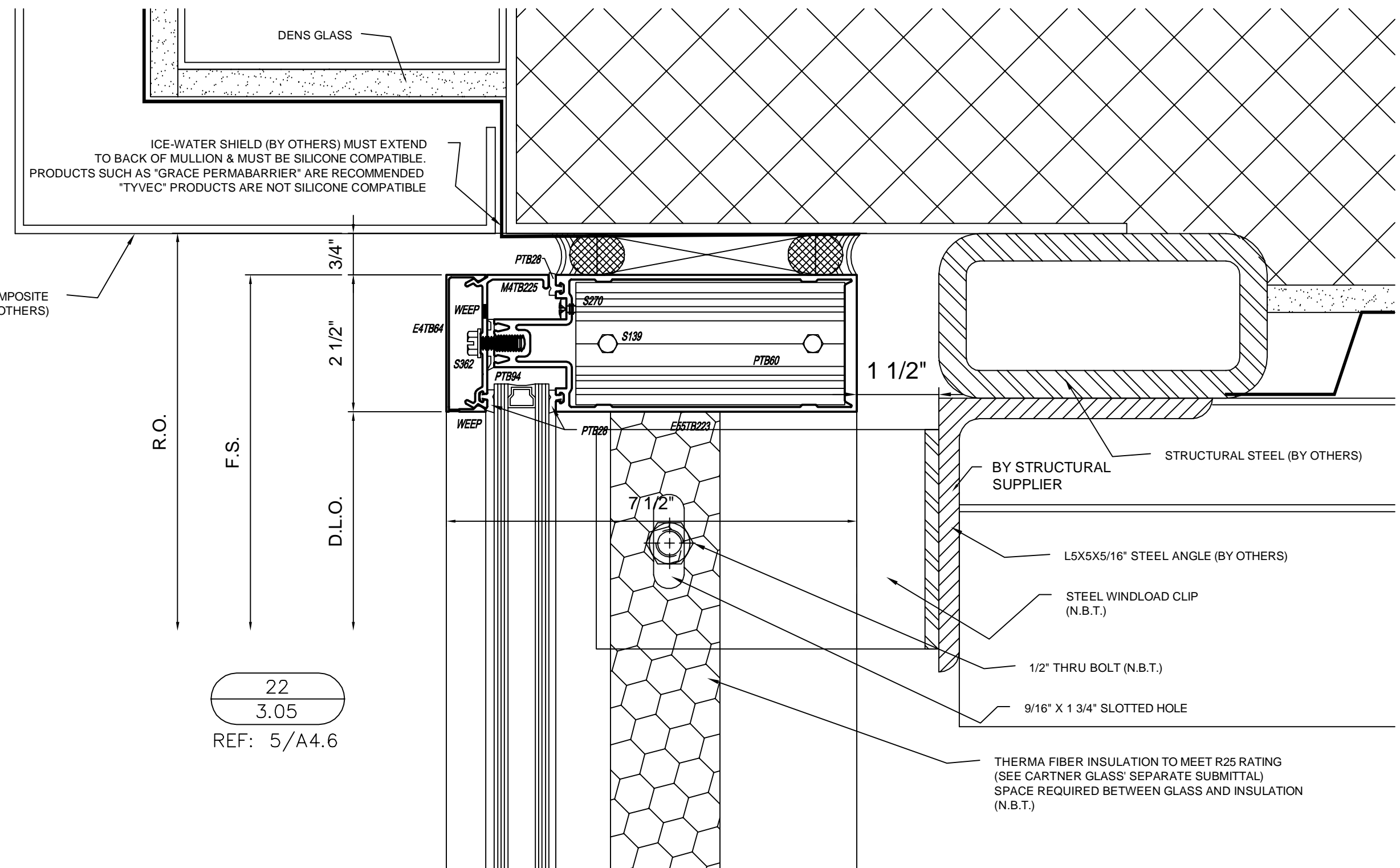
TUBELITE
 STOREFRONTS & ENTRANCES
 3056 WALKER RIDGE DRIVE, NW, SUITE G
 WALKER, MICHIGAN 49544
 800-866-2227 PHONE
 www.tubeliteinc.com

PROJECT INFORMATION	
PROJECT ADDRESS	
DRAWN BY: CW	DATE: 9/6/11
CHECKED BY: JR	DATE: 9/6/11
JOB NAME: VC SUMMER NUCLEAR	
SHEET NO.: 3.04	



DEPENDABLE

DRAWING SUBMISSION



PROJECT:	DATE:
DRAWN BY:	DATE:
CHECKED BY:	DATE:
JOB NAME:	DATE:
SHEET NO.:	DATE:

TUBELITE
STOREFRONTS & ENTRANCES

DEPENDABLE

3056 WALKER RIDGE DRIVE, NW, SUITE G
WALKER, MICHIGAN 49544
800-866-2227 PHONE
www.tubeliteinc.com

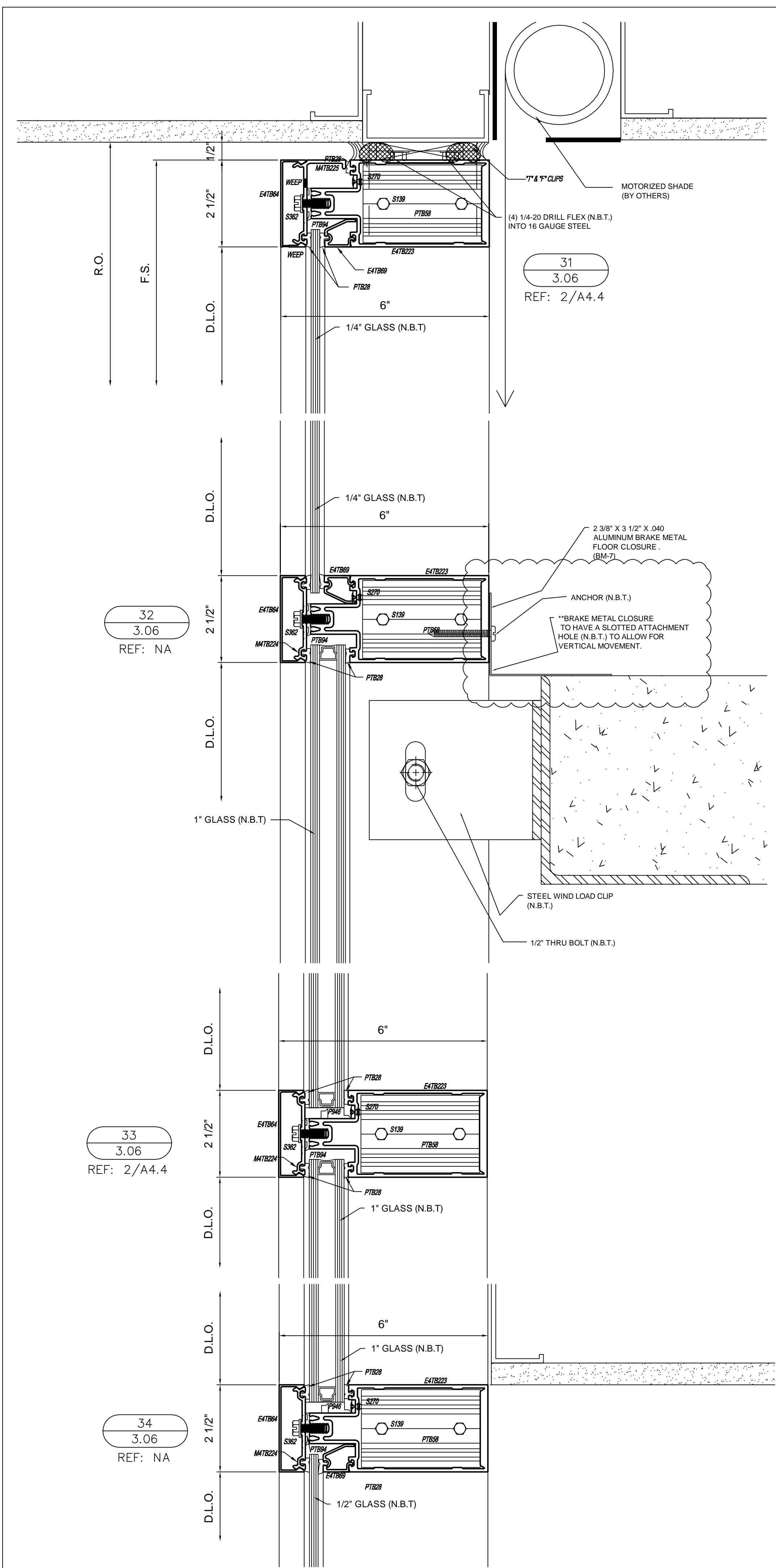
PROJECT:	DATE:
DRAWN BY:	DATE:
CHECKED BY:	DATE:
JOB NAME:	DATE:
SHEET NO.:	DATE:

PROJECT INFORMATION
PROJECT ADDRESS

CUSTOMER NAME
CUSTOMER ADDRESS

VC SUMMER NUCLEAR

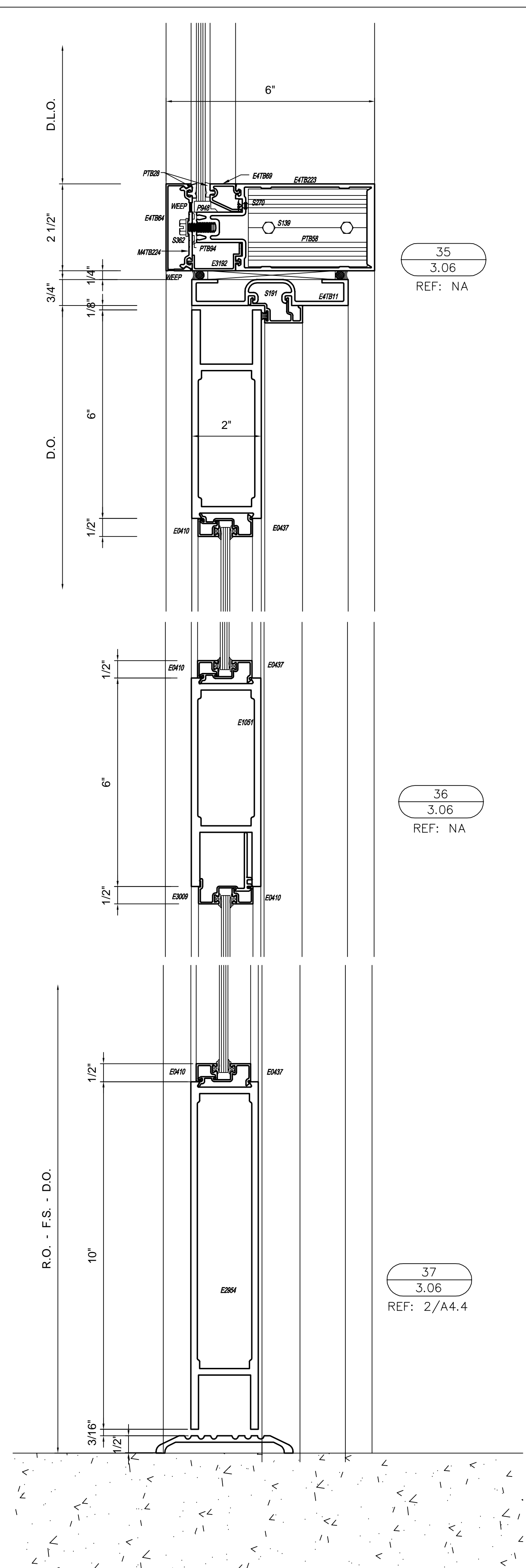
3.05



32
3.06
REF: NA

33
3.06
REF: 2/A4.4

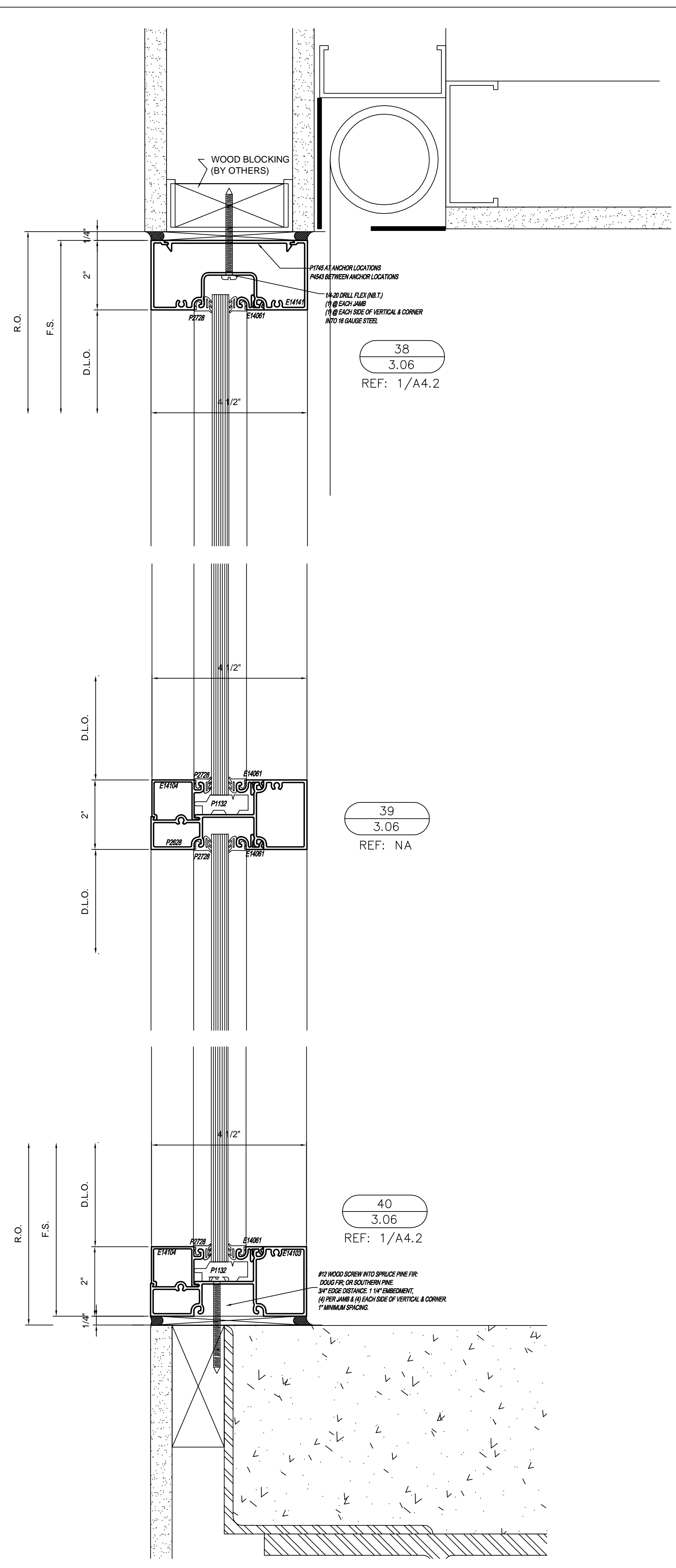
34
3.06
REF: NA



35
3.06
REF: NA

36
3.06
REF: NA

37
3.06
REF: 2/A4.4



38
3.06
REF: 1/A4.2

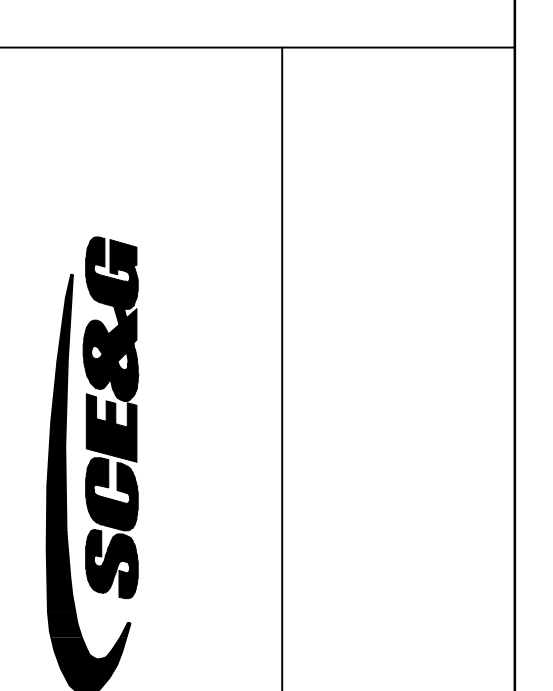
39
3.06
REF: NA

40
3.06
REF: 1/A4.2

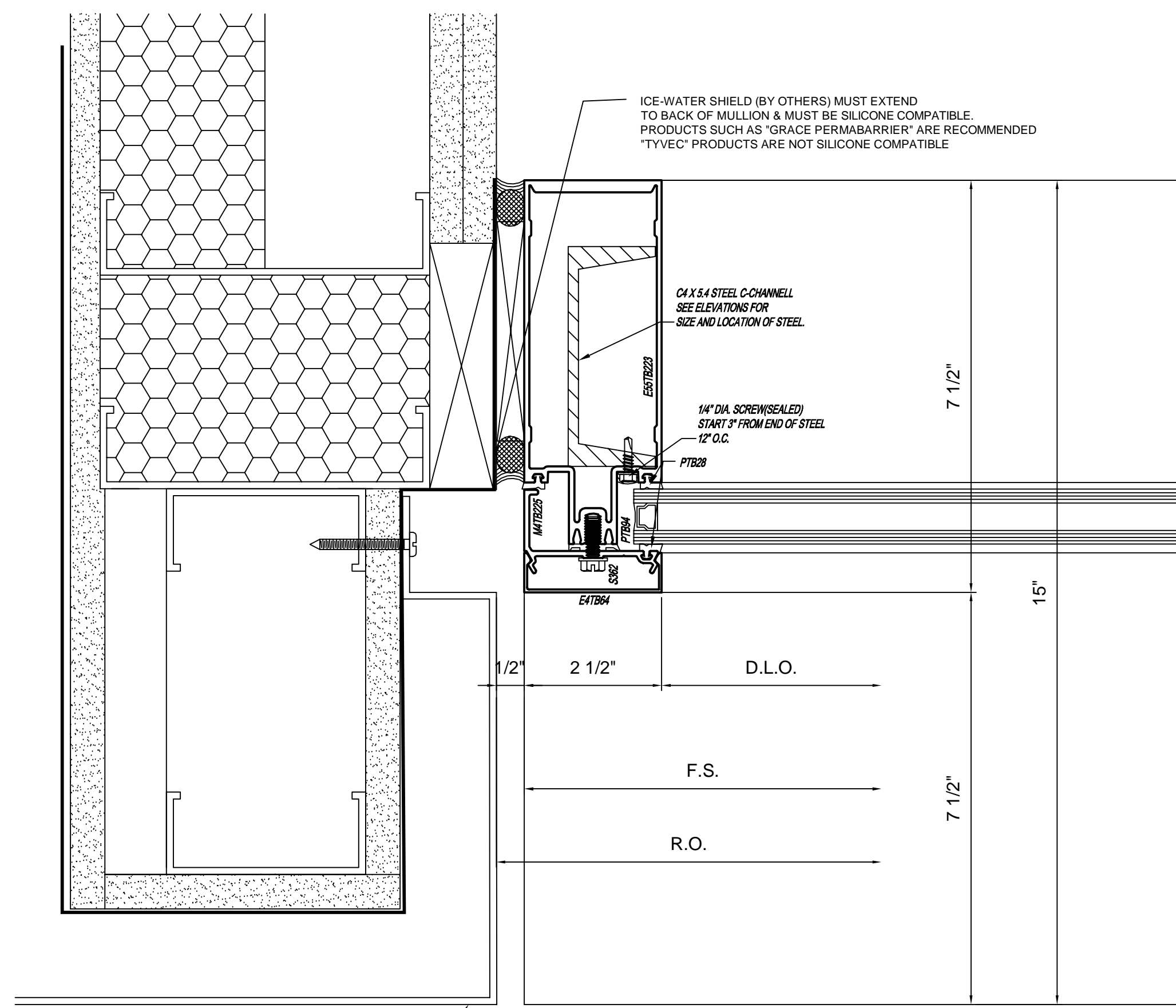
PROJECT INFORMATION		SUB CONTRACTOR/INSTALLER	
PROJECT ADDRESS		CUSTOMER NAME	
CUSTOMER ADDRESS		CUSTOMER ADDRESS	
DRAWN BY: CW		DATE: 9/6/11	
CHECKED BY: JR		DATE: 9/6/11	
JOB NAME: VC SUMMER NUCLEAR		JOB NO:	
SHEET NO: 3.06		DATE	

1ST. REVISION	1/10/12
1ST. SUBMISSION (ENGINEERING CALCS)	11/7/11
1ST. SUBMISSION	9/6/11
NO	DATE

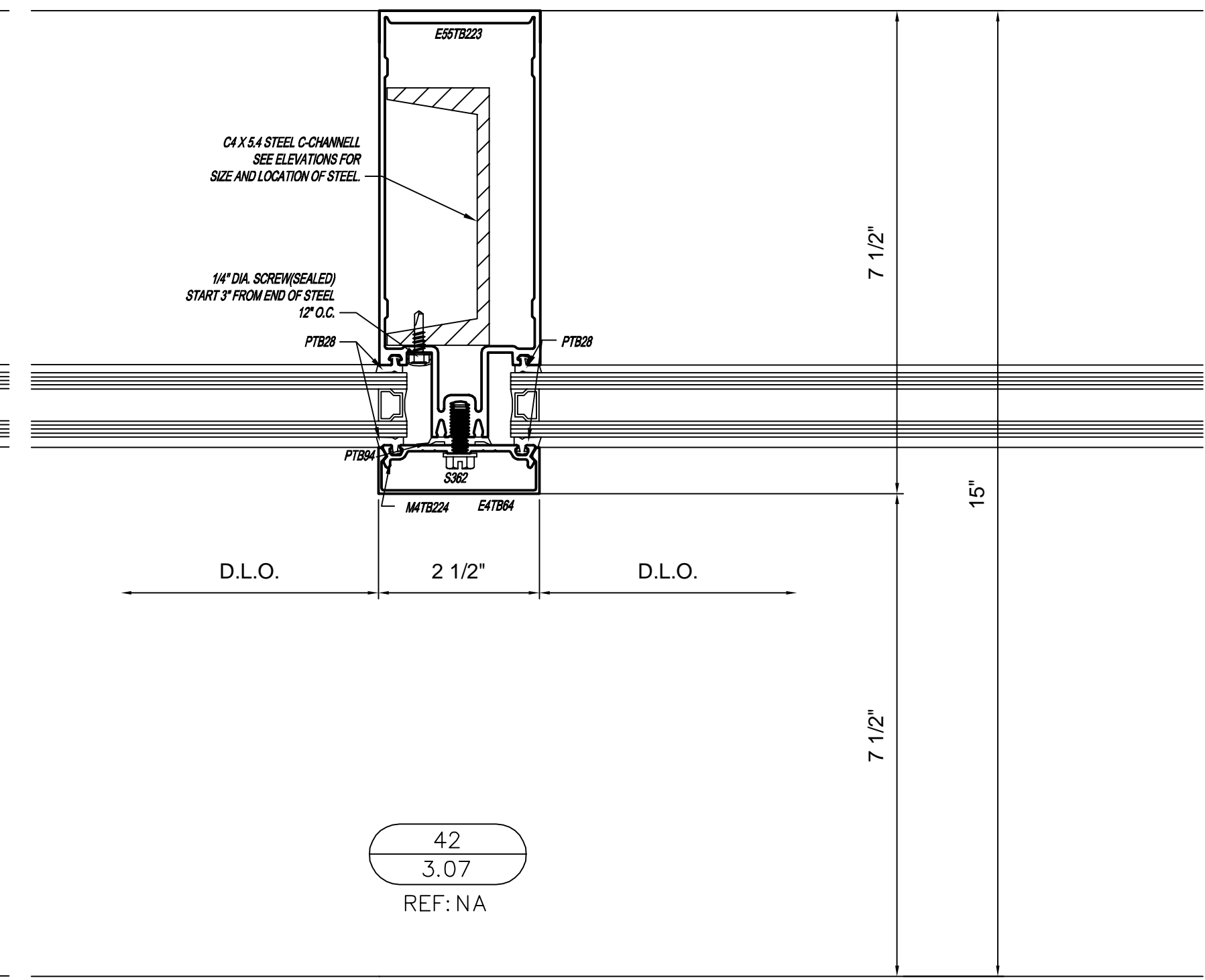
TUBELITE
STOREFRONTS & ENTRANCES
DEPENDABLE
3056 WALKER RIDGE DRIVE, NW, SUITE G
WALKER, MICHIGAN 49544
800-866-2227 PHONE
www.tubeliteinc.com



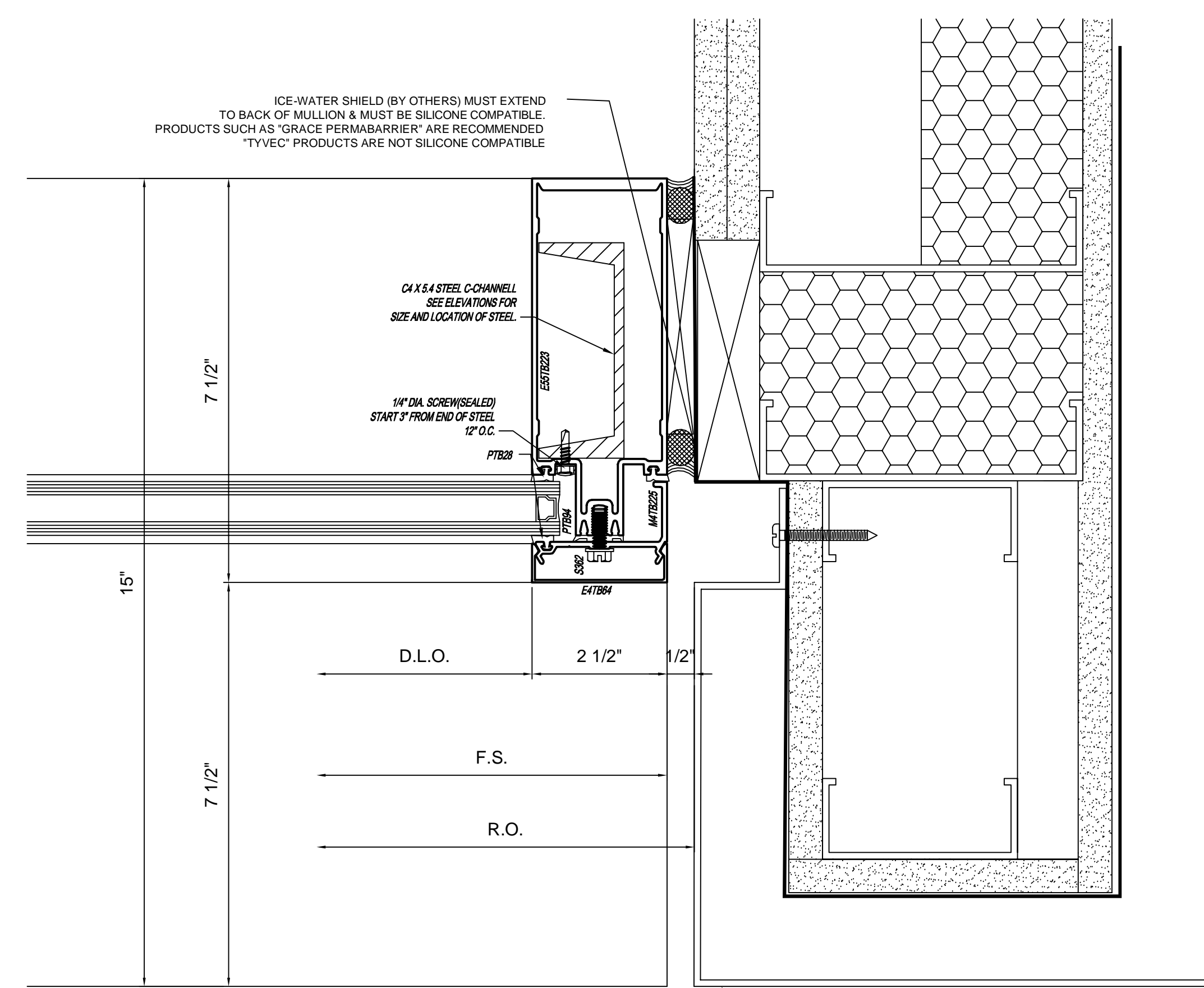
PROJECT: 3056 WALKER RIDGE DRIVE, NW, SUITE G
WALKER, MICHIGAN 49544
800-866-2227 PHONE
www.tubeliteinc.com



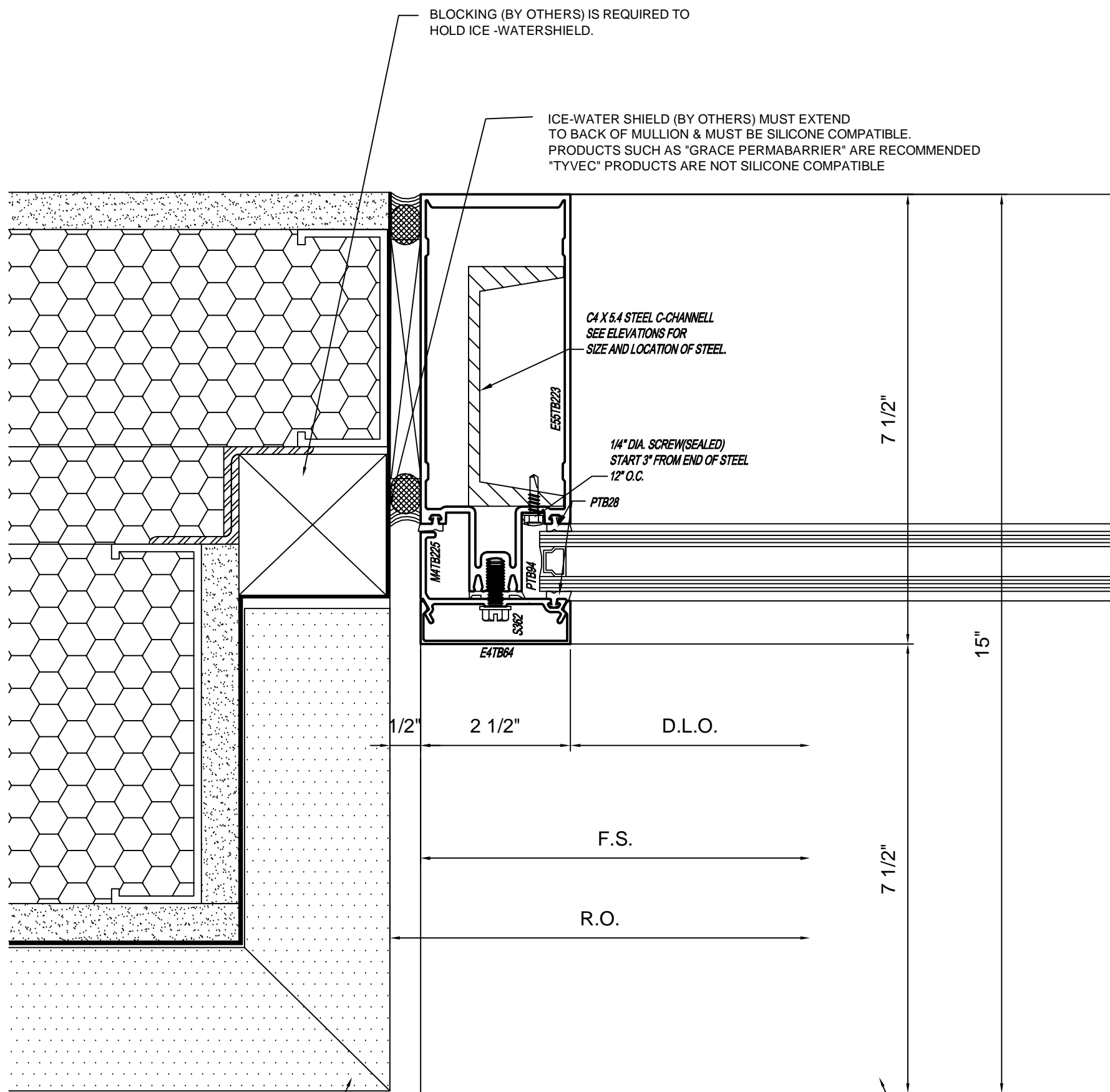
41
3.07
REF: 2/A4.8



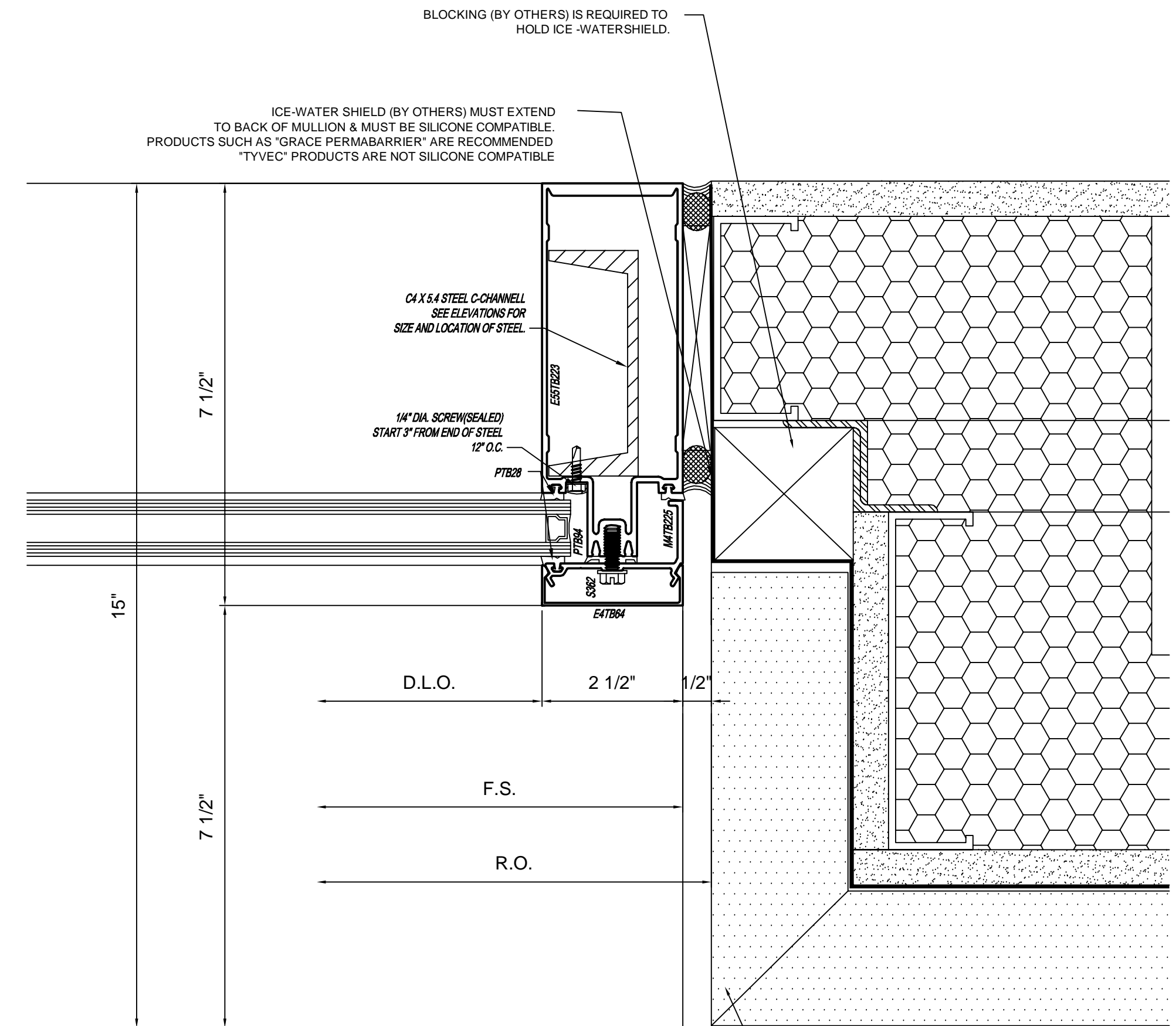
42
3.07
REF: NA



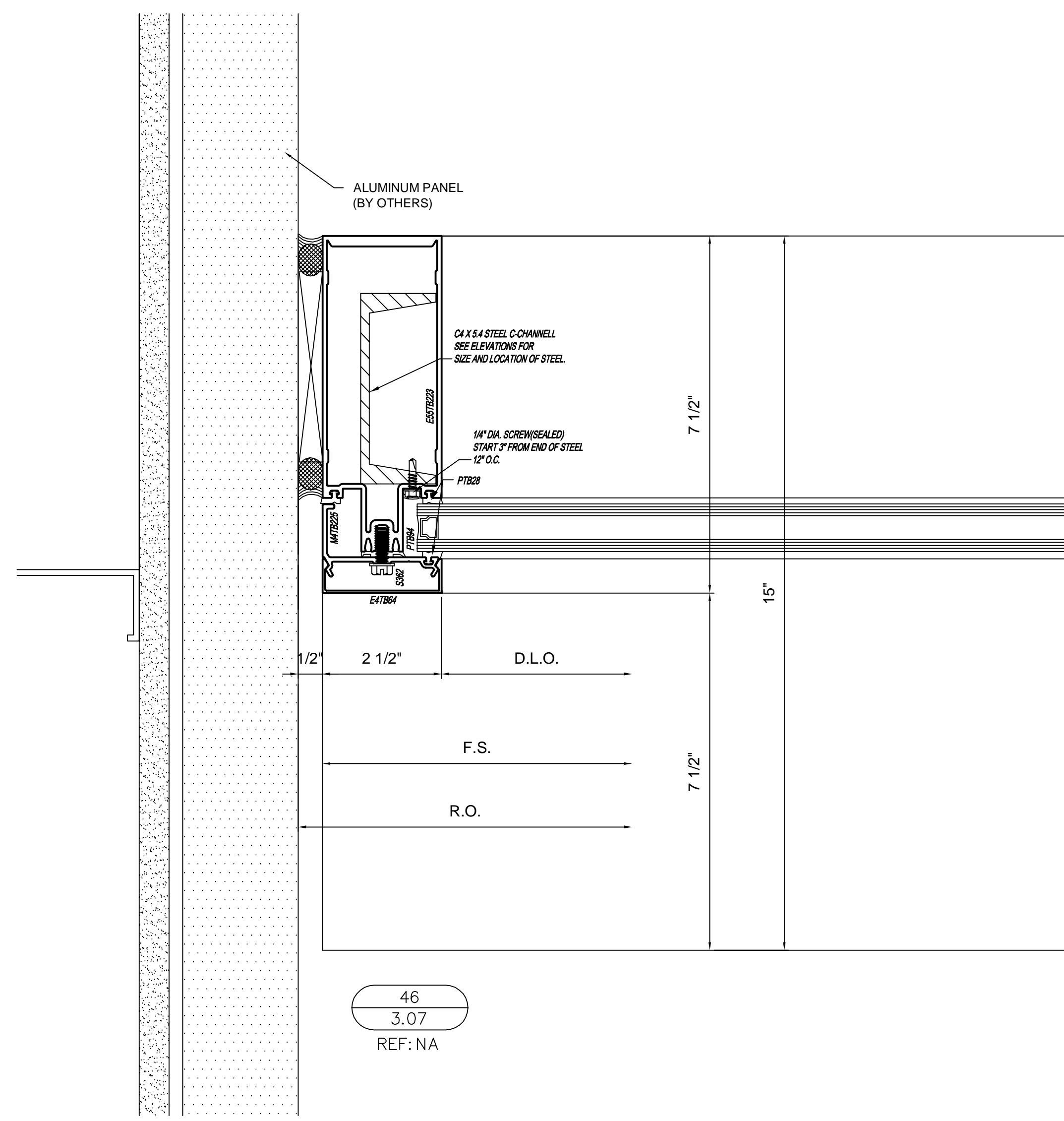
43
3.07
REF: 2/A4.8



44
3.07
REF: 6/A4.8



45
3.07
REF: 6/A4.8



46
3.07
REF: NA

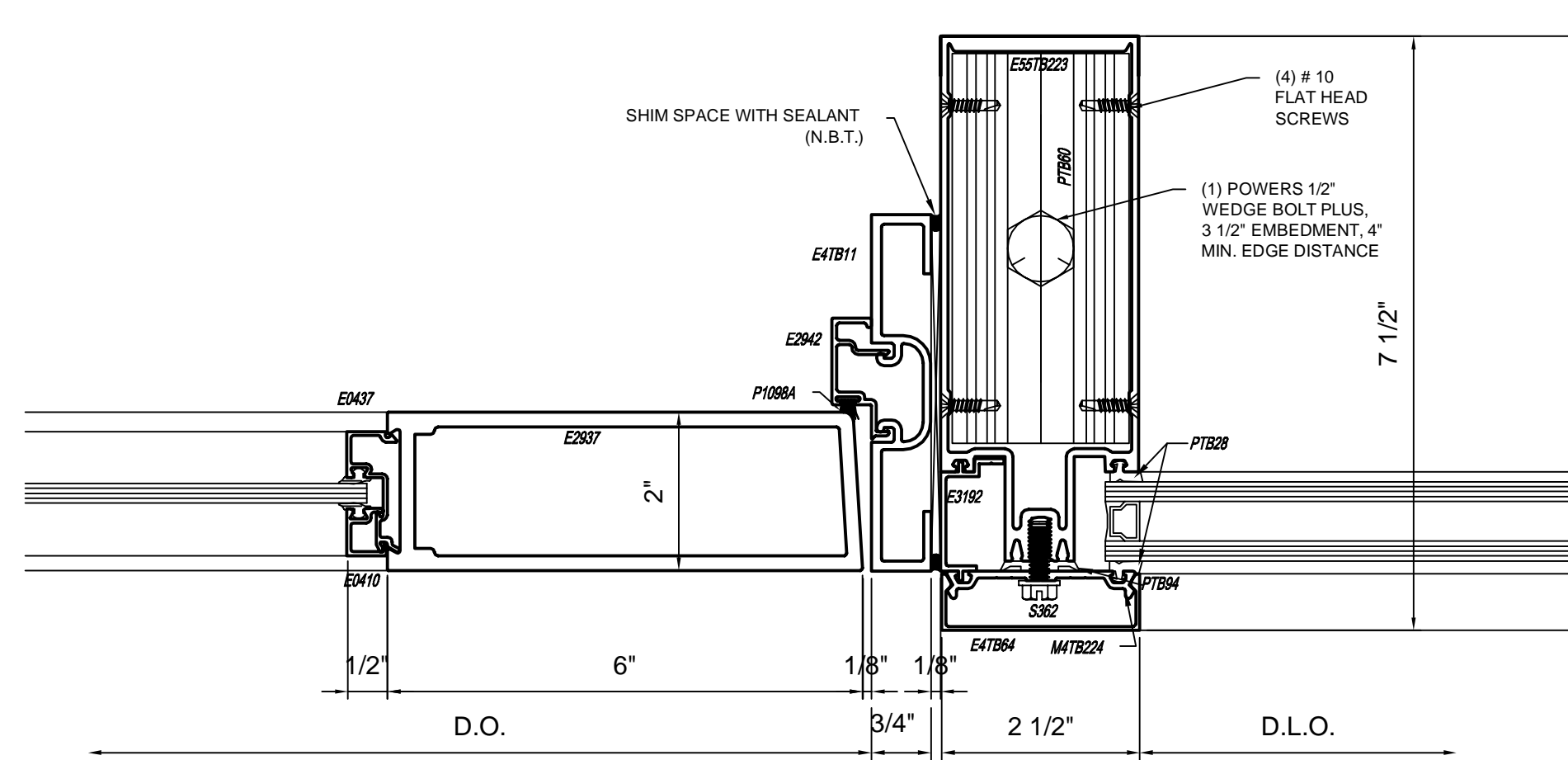
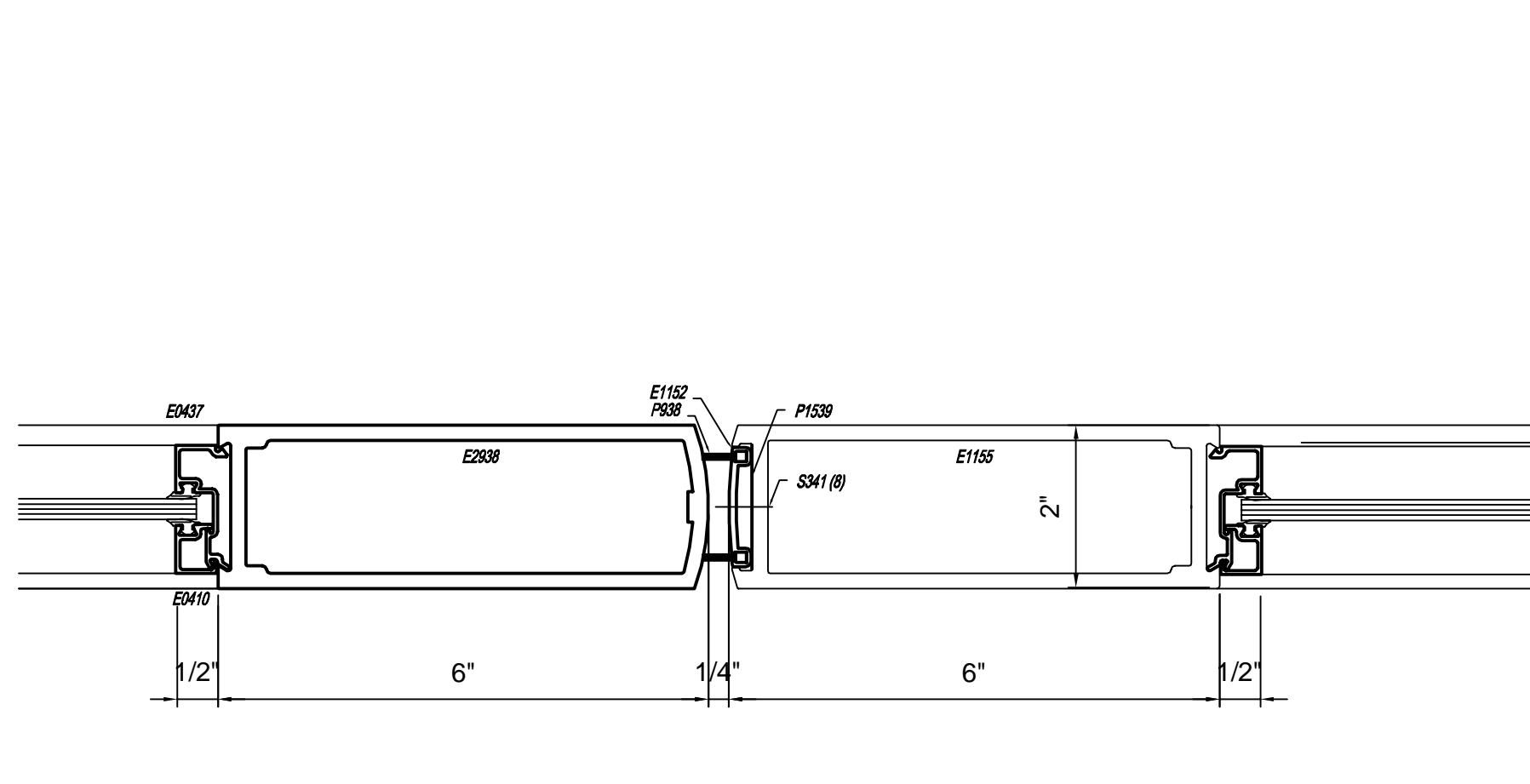
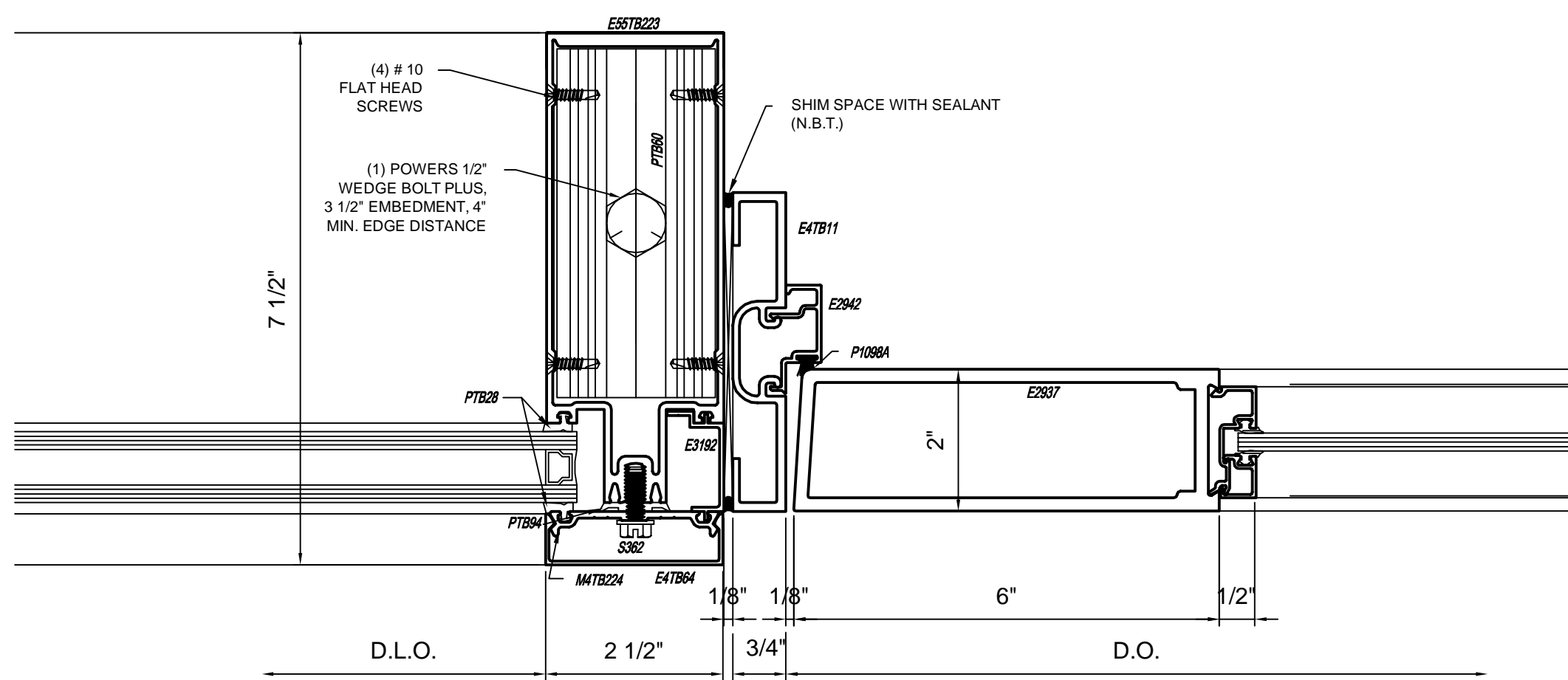
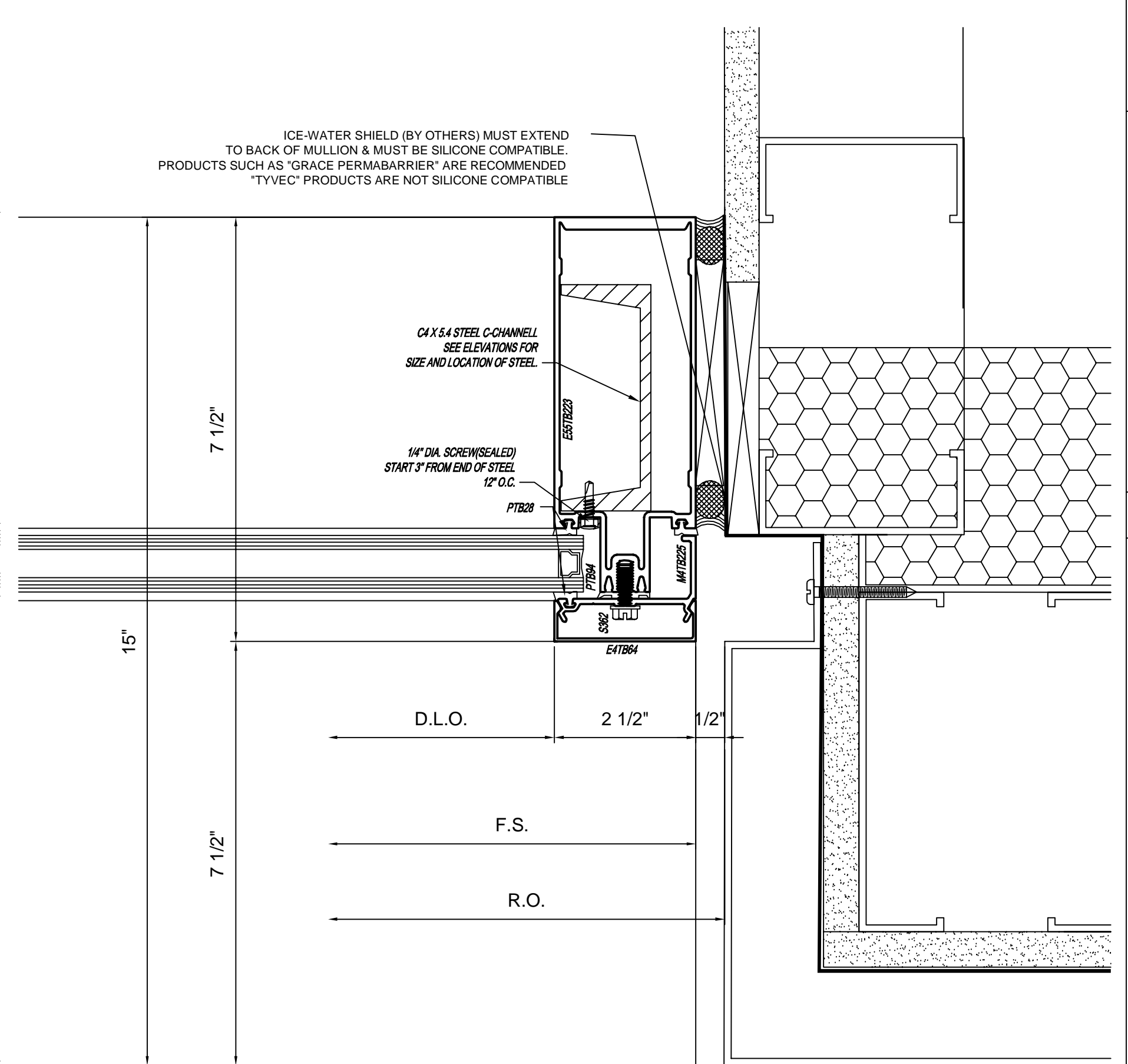
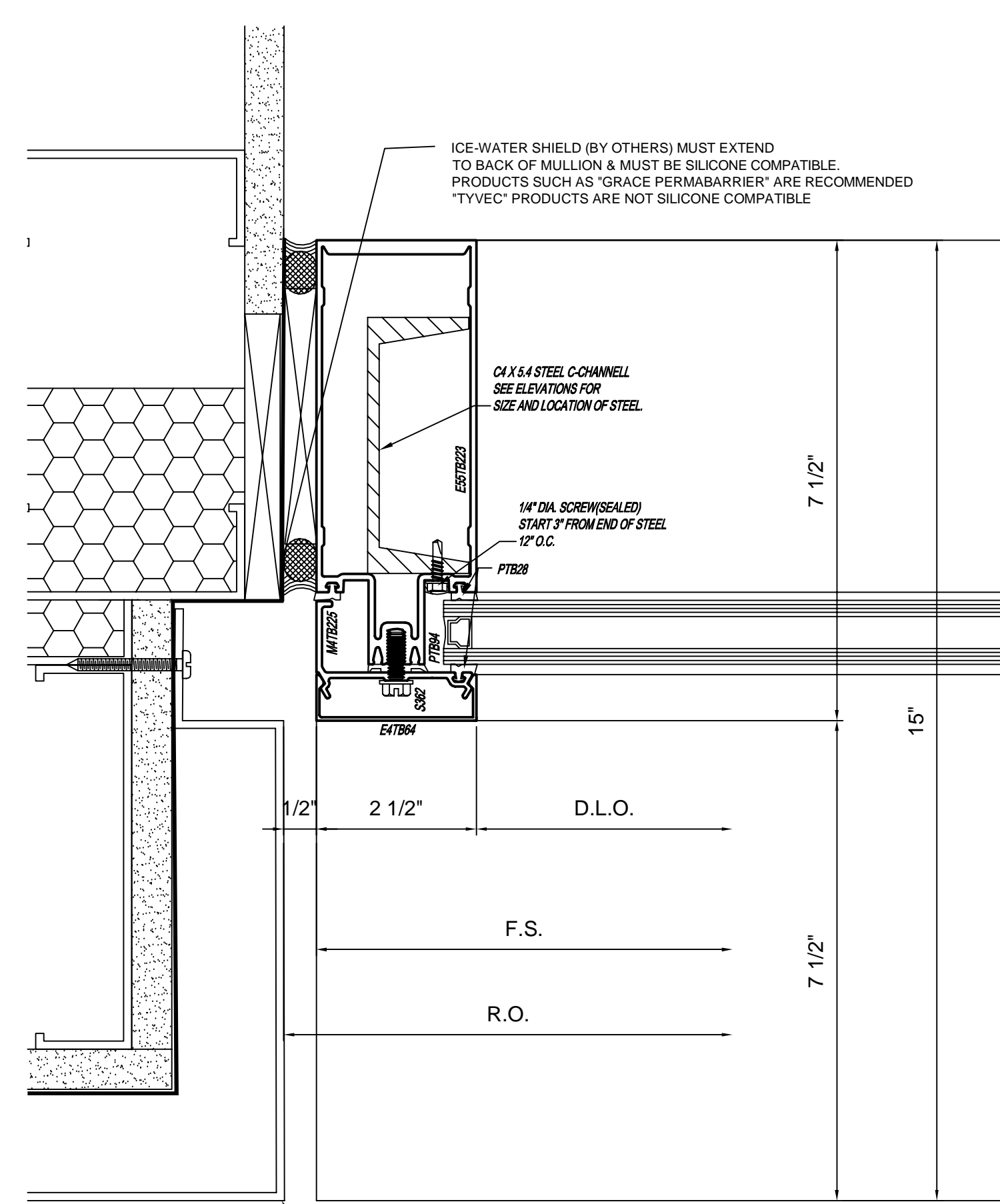
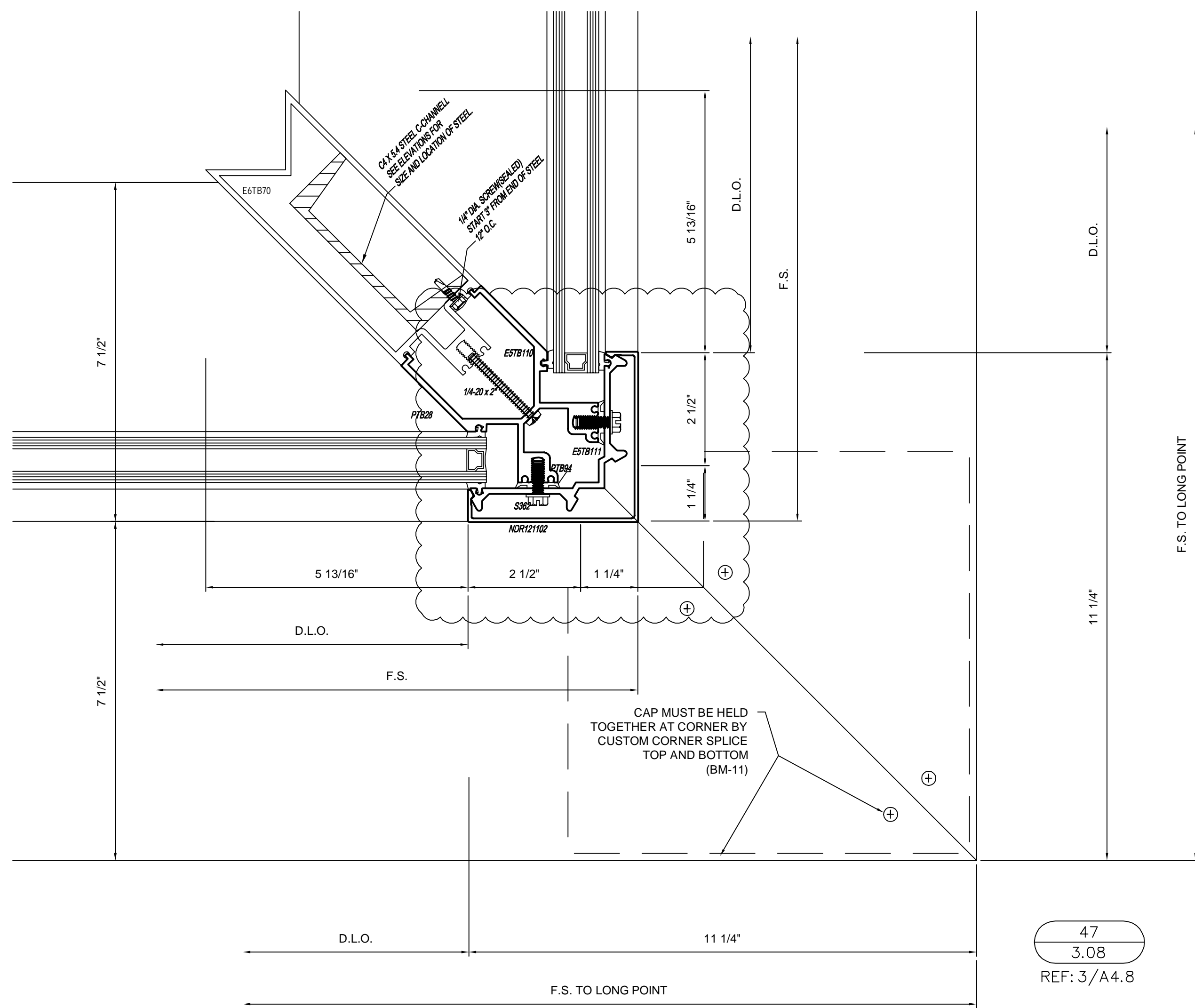
NO	DESCRIPTION	DATE
1ST. REVISION		1/10/12
1ST. SUBMISSION (ENGINEERING CALCS)		11/7/11
1ST. SUBMISSION		9/6/11

TUBELITE
STOREFRONTS & ENTRANCES
DEPENDABLE
3056 WALKER RIDGE DRIVE, NW, SUITE G
WALKER, MICHIGAN 49544
800-866-2227 PHONE
www.tubeliteinc.com



PROJECT INFORMATION	
PROJECT ADDRESS	
PROJECT:	CUSTOMER NAME
DRAWN BY: CW	CUSTOMER ADDRESS
CHECKED BY: JR	
DATE: 9/6/11	
JOB NAME: VC SUMMER NUCLEAR	
SHEET NO: 3.07	

DRAWING SUBMISSION



NO	DESCRIPTION	DATE
1ST. REVISION		1/10/12
1ST. SUBMISSION (ENGINEERING CALCS)		11/7/11
1ST. SUBMISSION		9/6/11

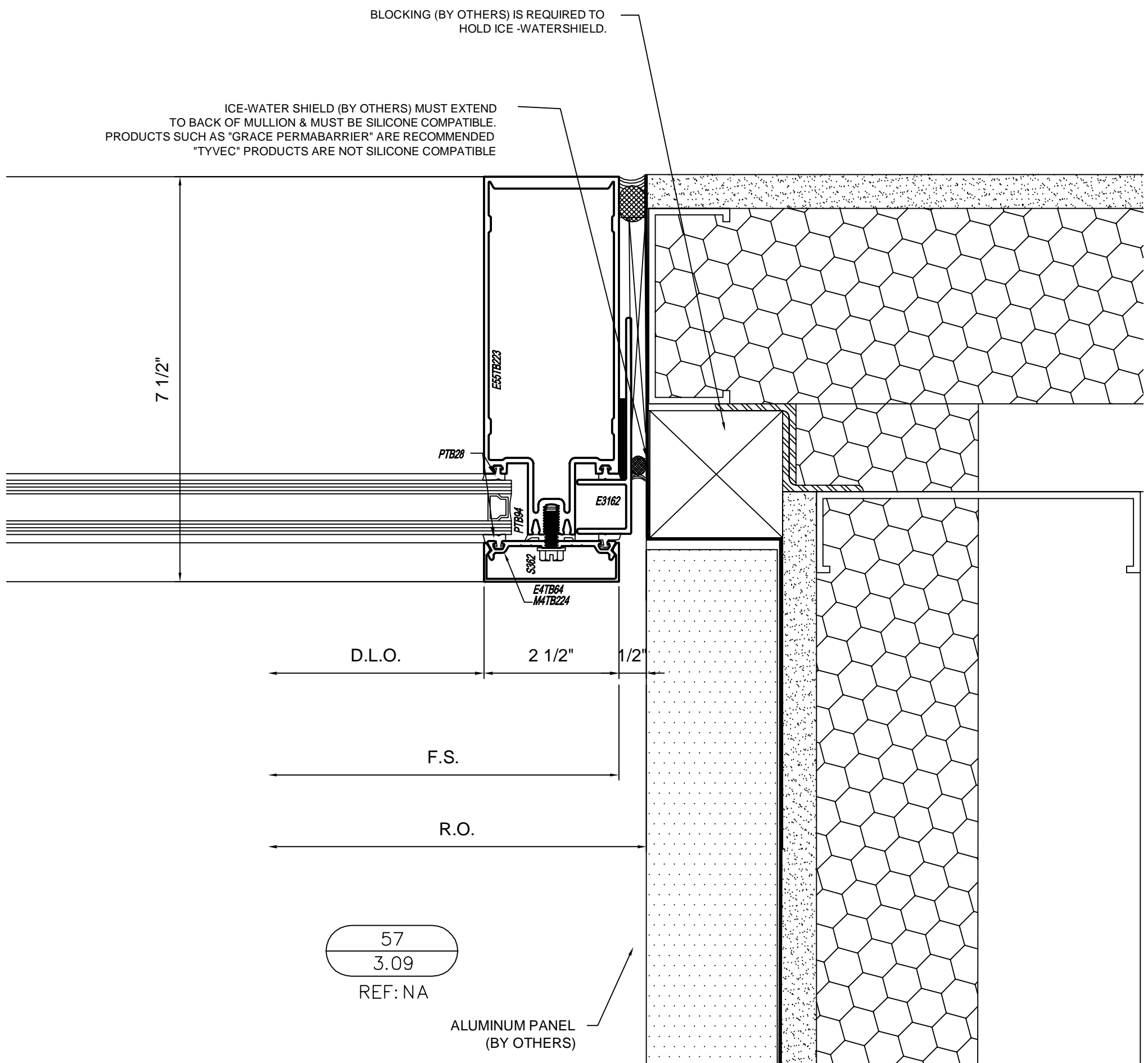
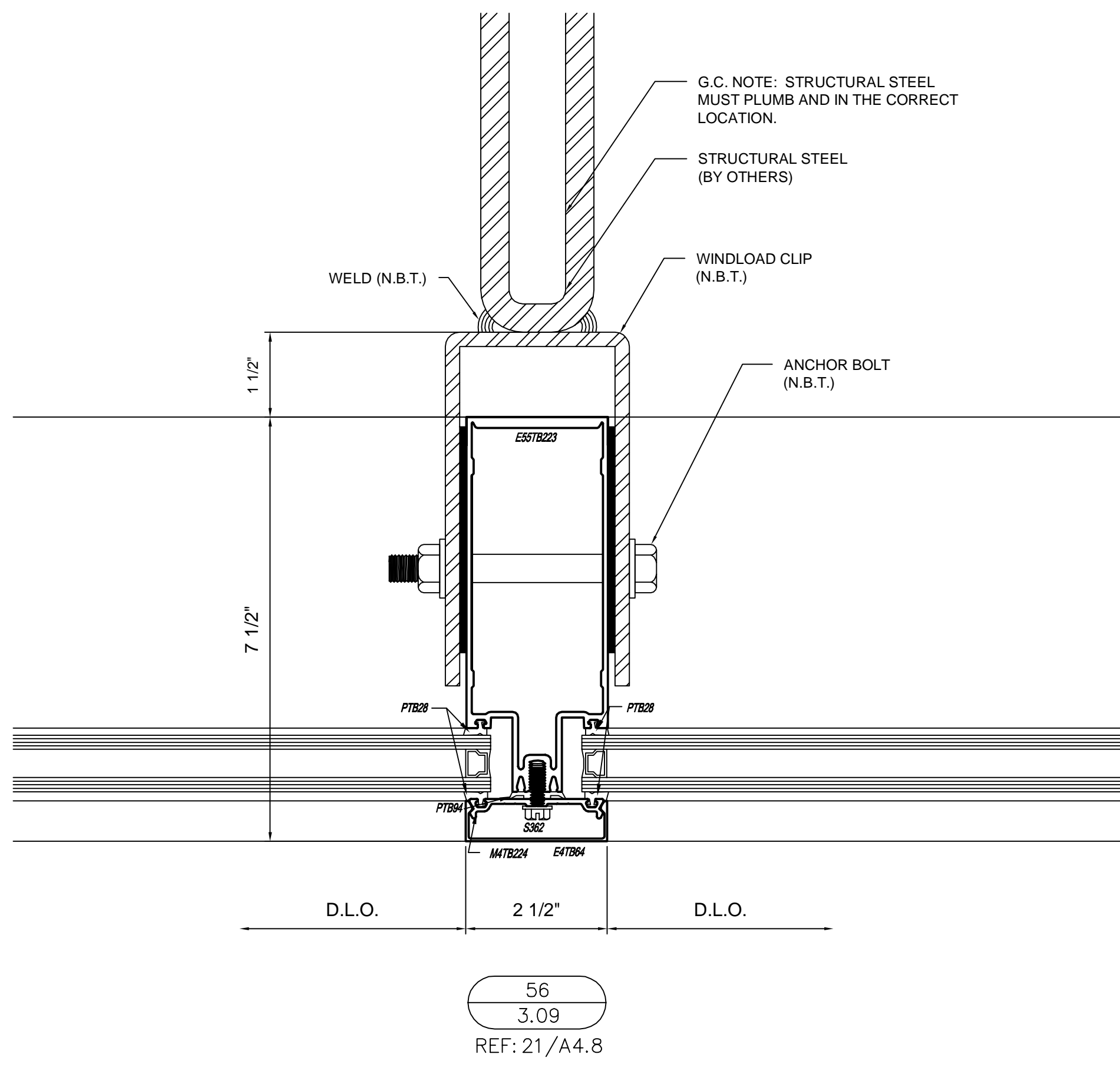
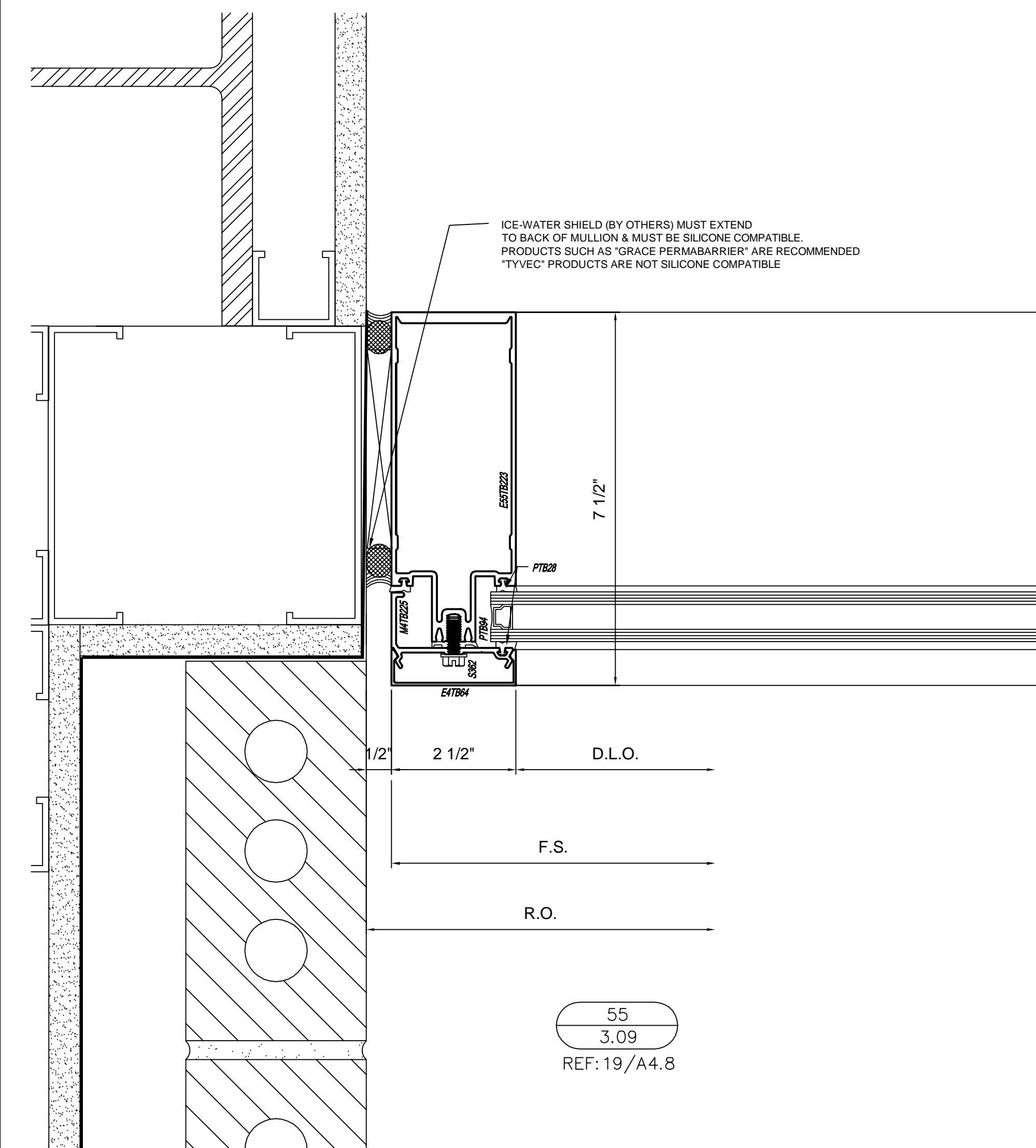
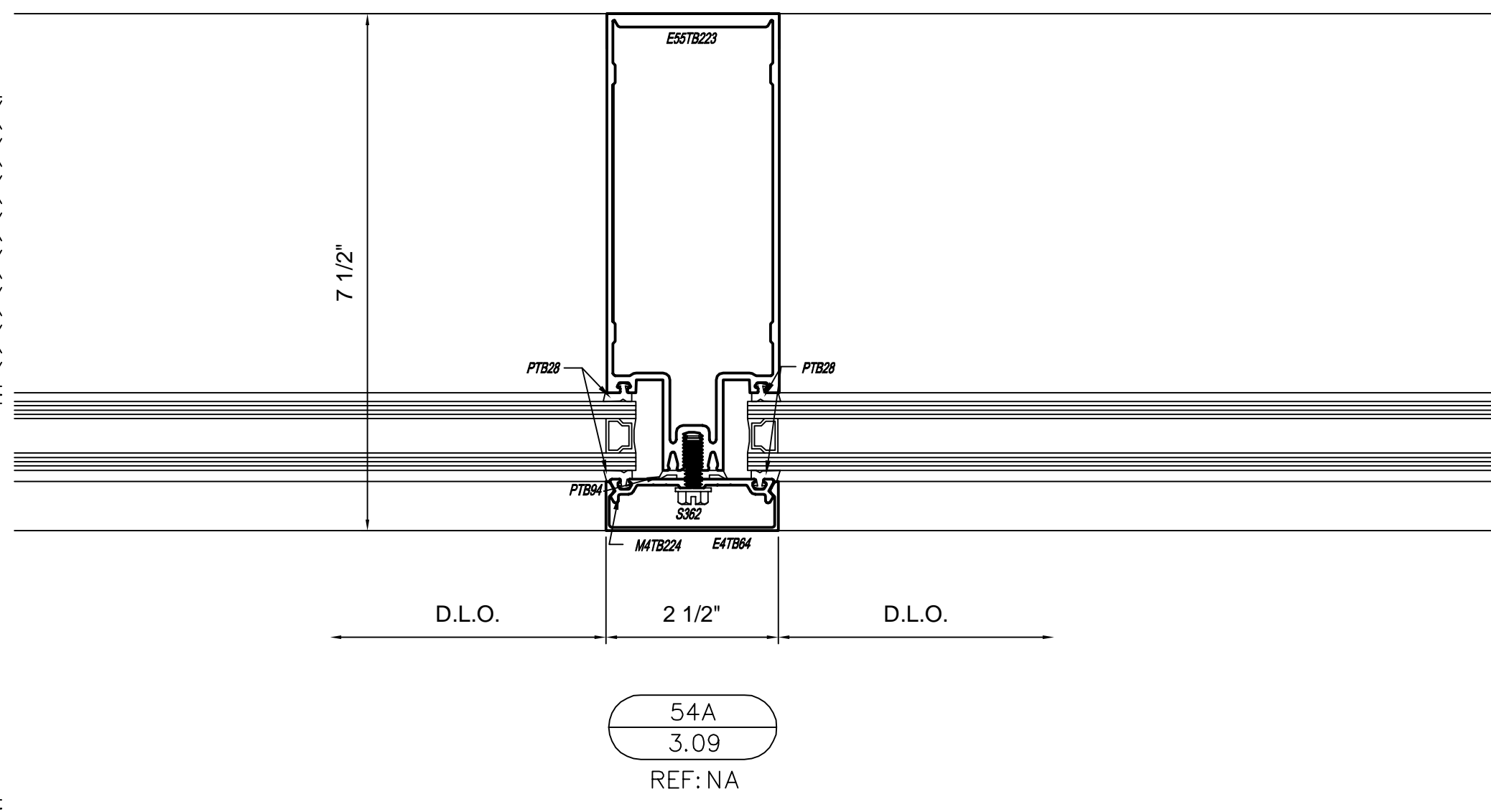
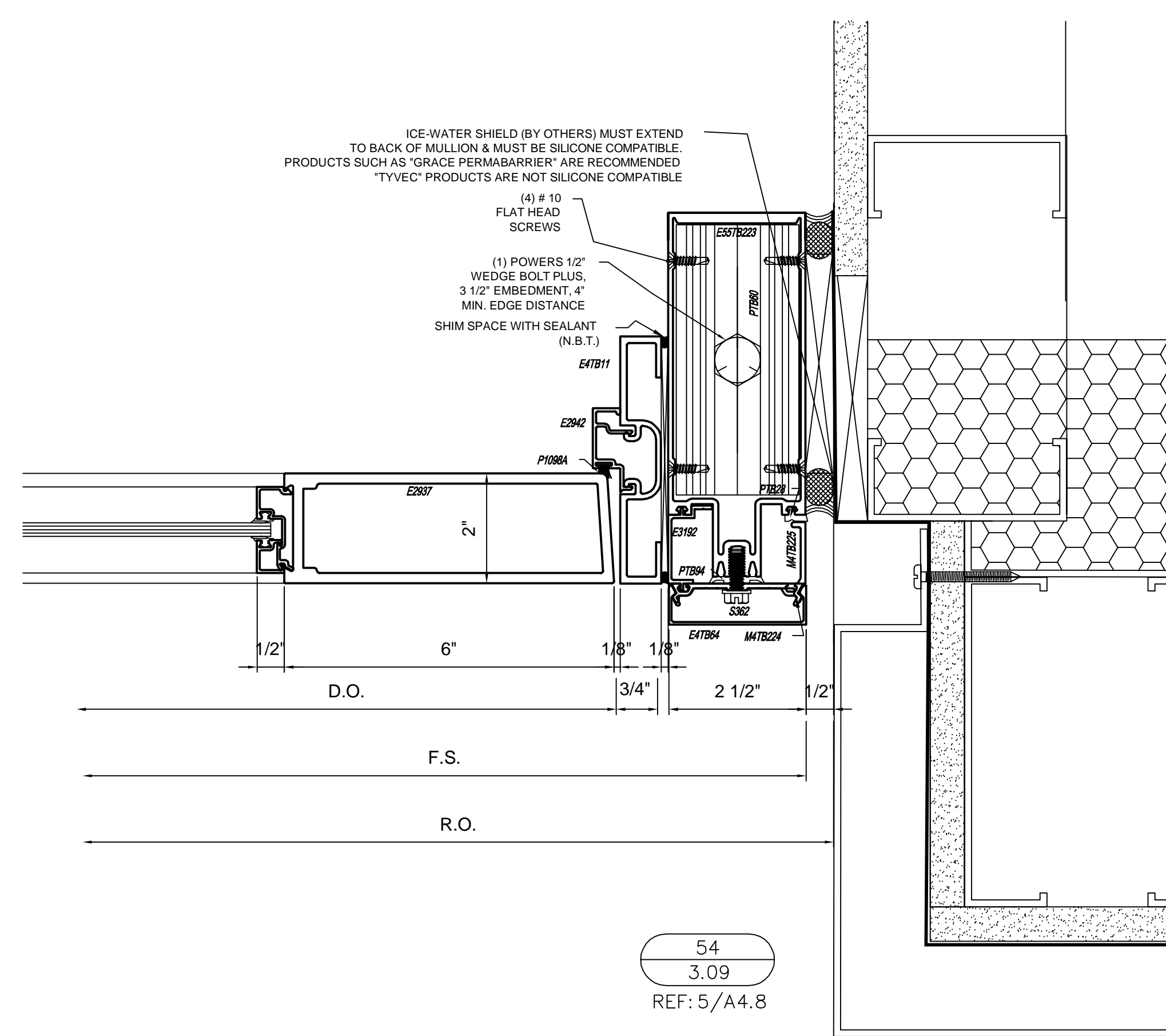
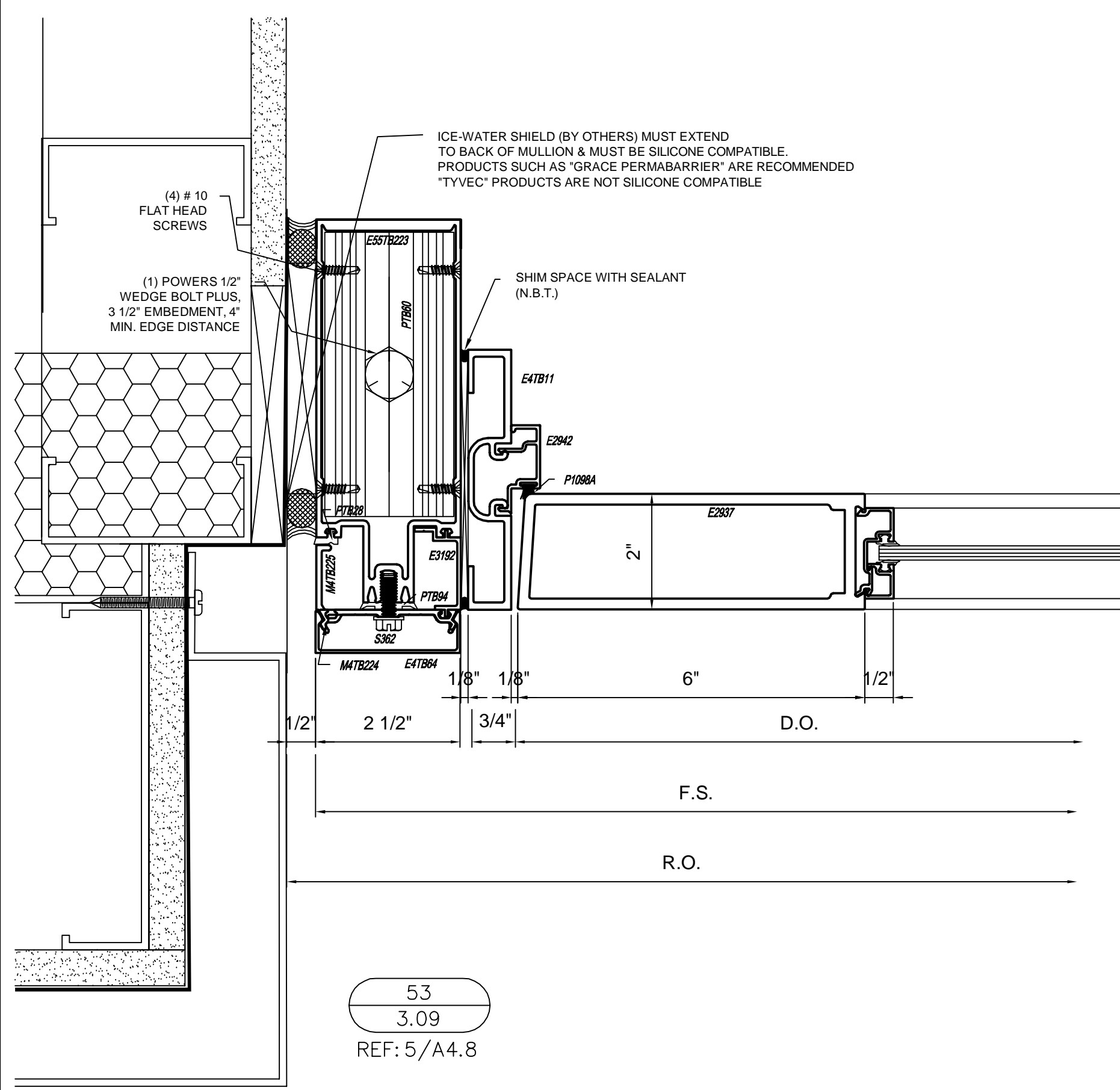
TUBELITE[®] **DEPENDABLE**
STOREFRONTS & ENTRANCES
3056 WALKER RIDGE DRIVE, NW, SUITE G
WALKER, MICHIGAN 49544
800-866-2227 PHONE
www.tubeliteinc.com



PROJECT INFORMATION
PROJECT ADDRESS
CUSTOMER NAME
CUSTOMER ADDRESS

PROJECT:	VC SUMMER NUCLEAR
DRAWN BY:	CW
CHECKED BY:	JR
DATE:	9/6/11
JOB NAME:	VC SUMMER NUCLEAR
SHEET NO.:	3.08

DRAWING SUBMISSION

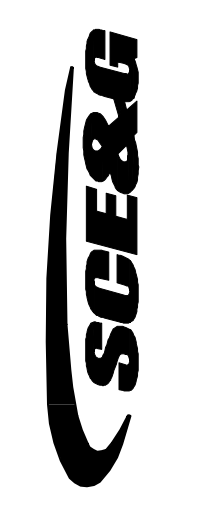


NO.	DESCRIPTION	DATE
1ST. SUBMISSION		9/6/11
1ST. SUBMISSION (ENGINEERING CALCS)		11/7/11
1ST. REVISION		1/10/12

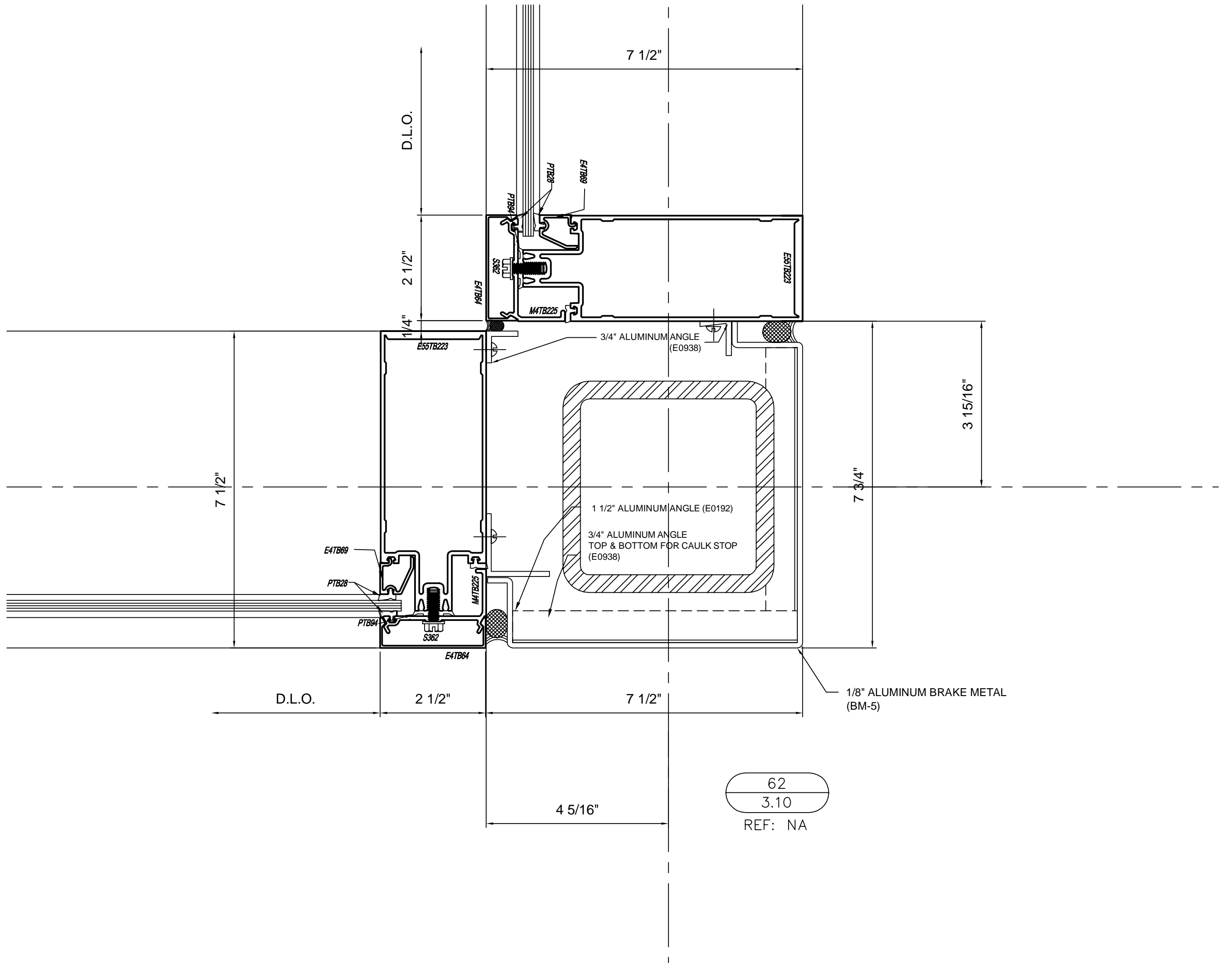
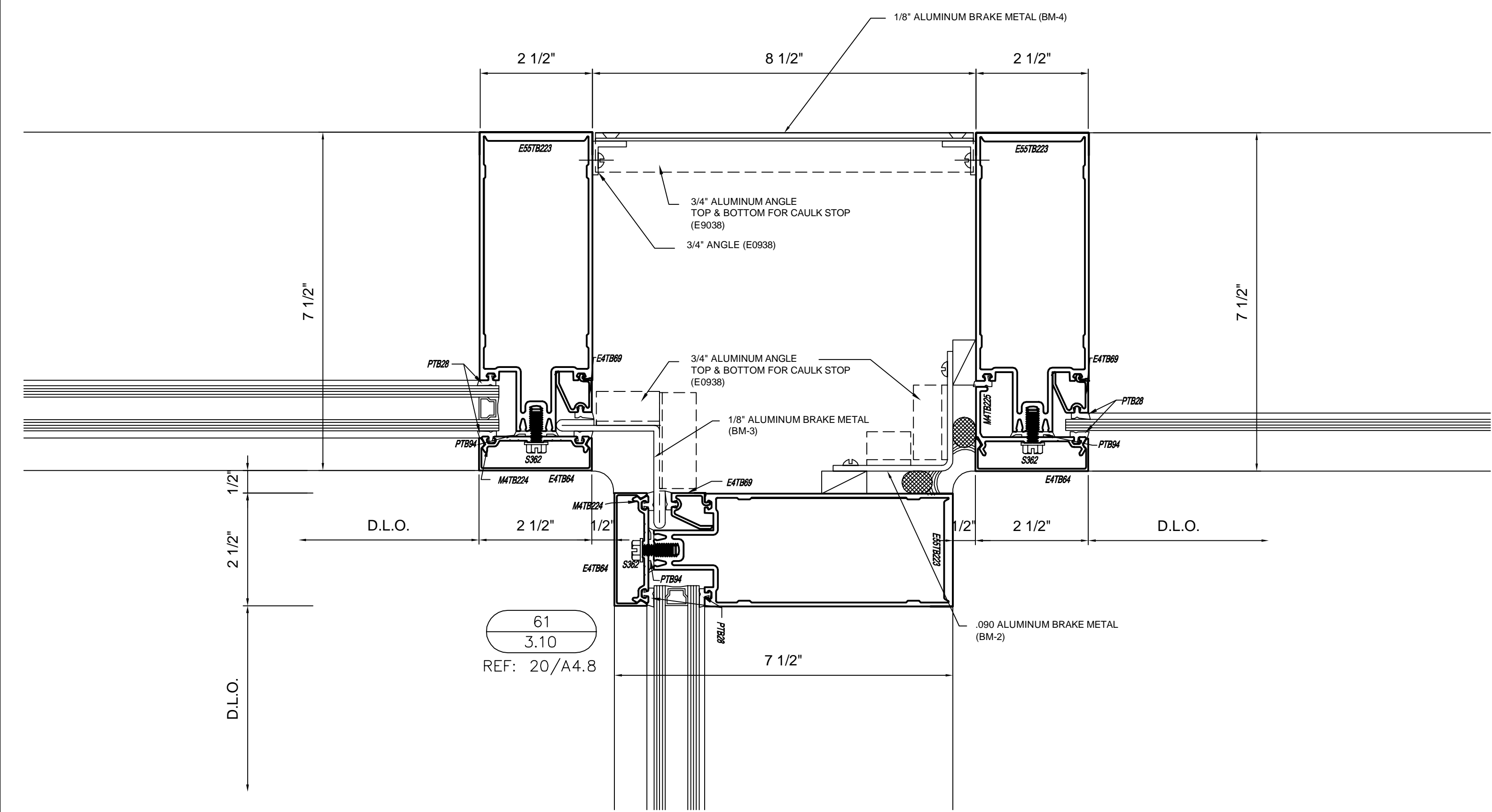
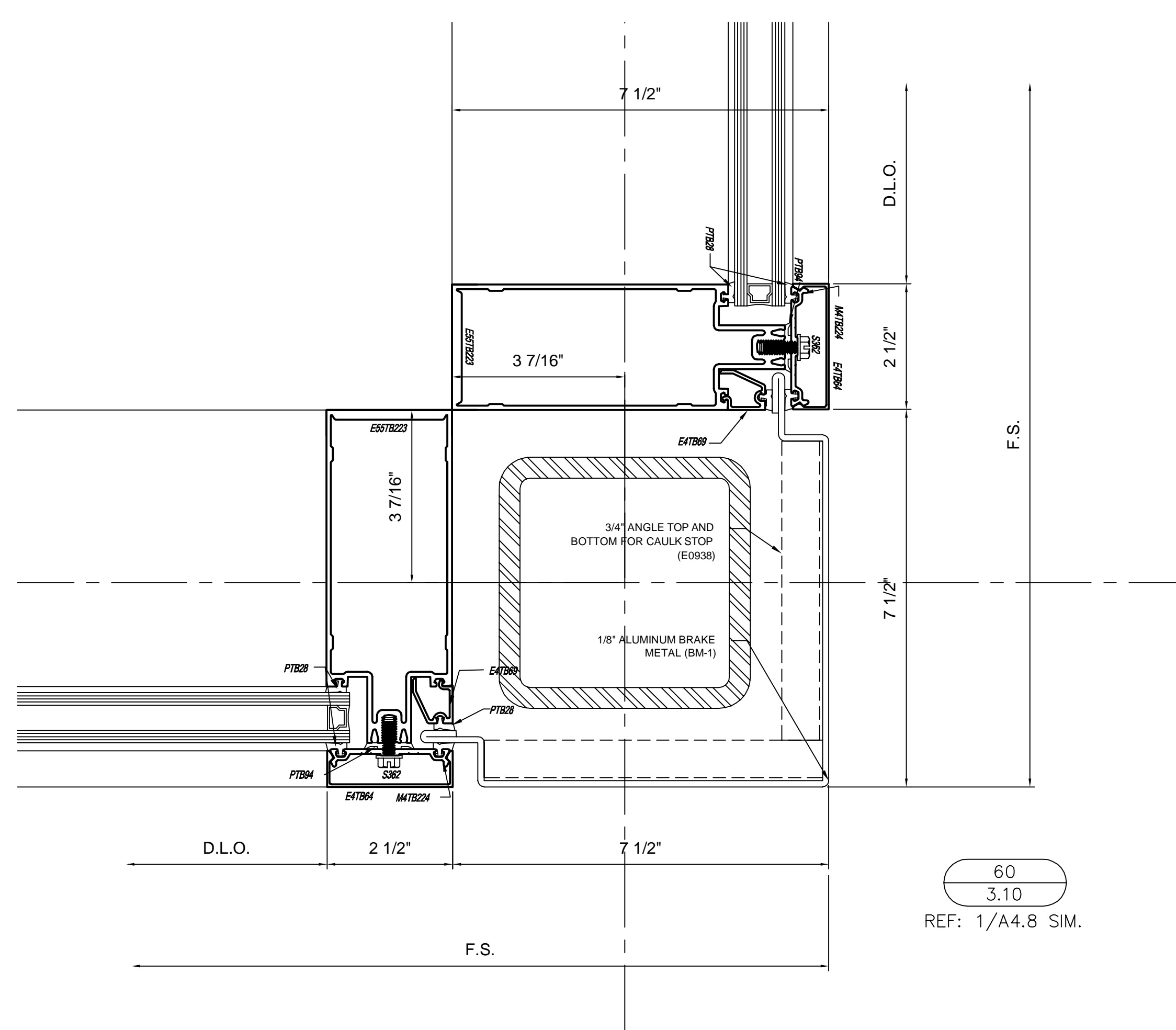
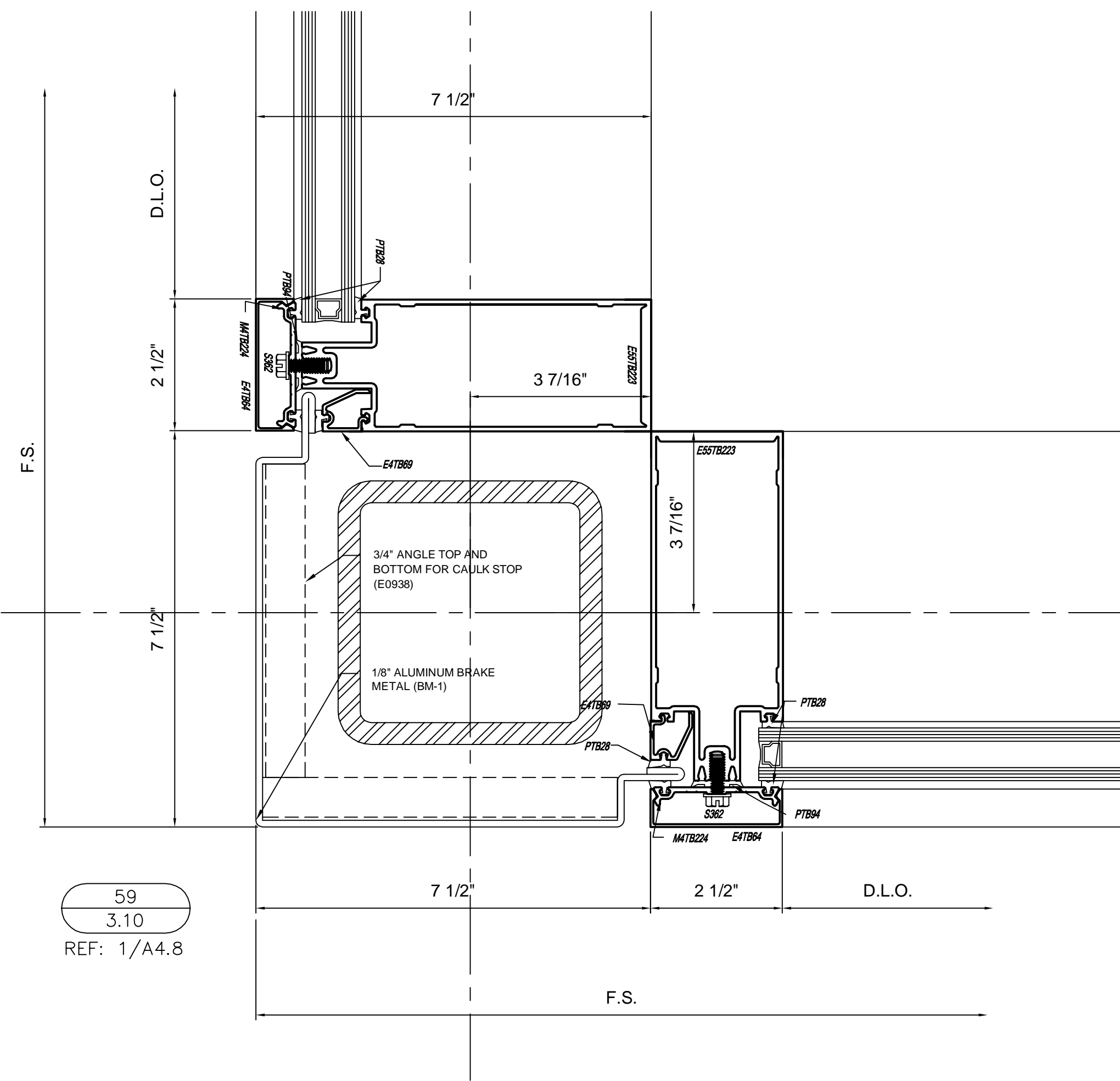
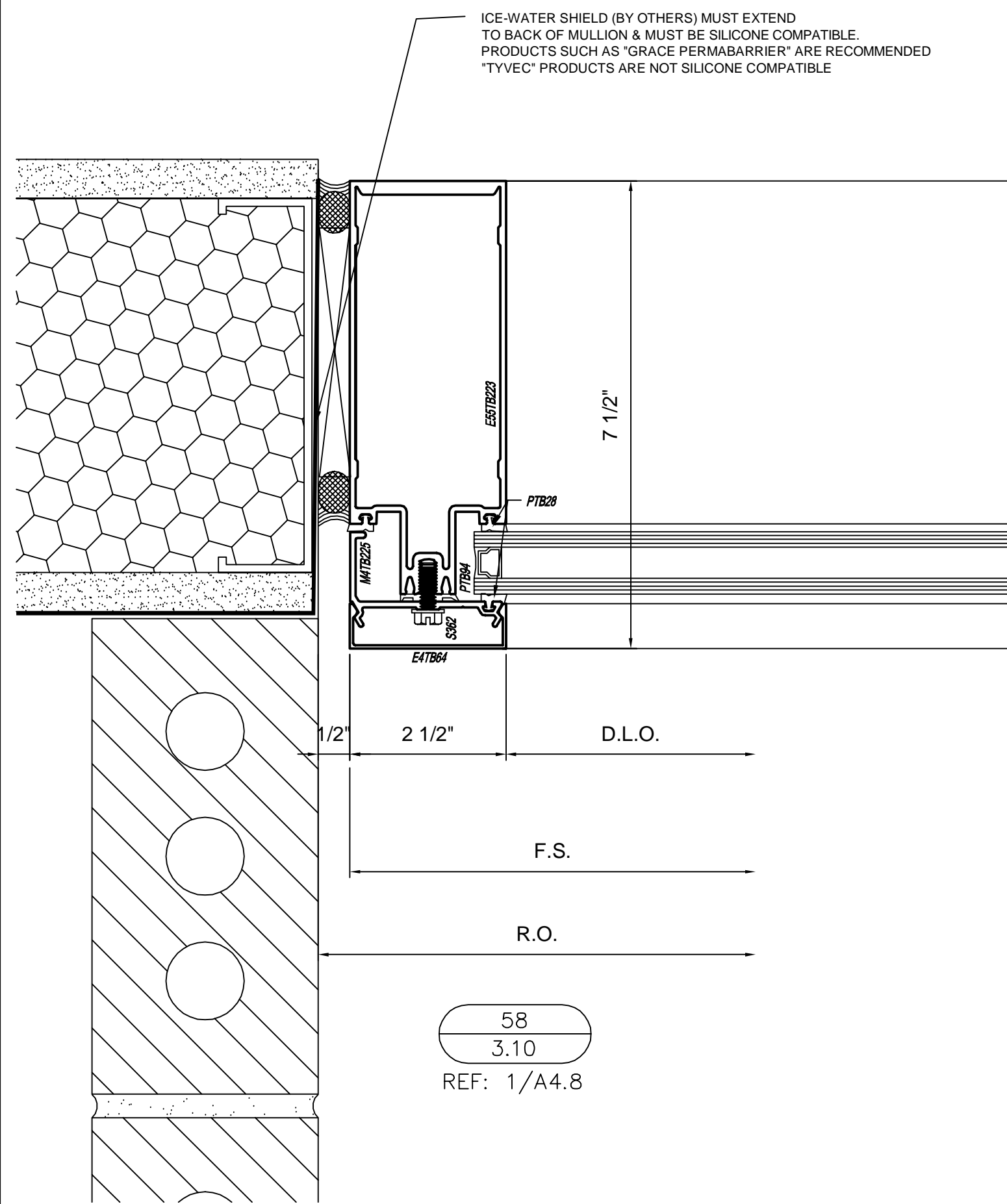
TUBELITE
STOREFRONTS & ENTRANCES

DEPENDABLE

3056 WALKER RIDGE DRIVE, NW, SUITE G
WALKER, MICHIGAN 49544
800-866-2227 PHONE
www.tubeliteinc.com

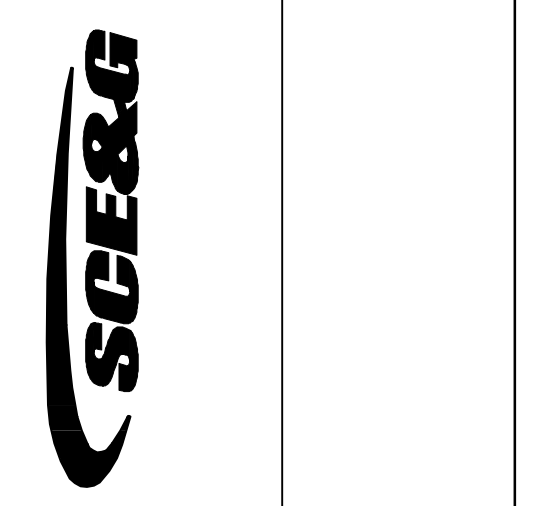


PROJECT:	PROJECT INFORMATION
DRAWN BY:	PROJECT ADDRESS
CHECKED BY:	CUSTOMER NAME
JOB NAME:	CUSTOMER ADDRESS
SHEET NO.:	3.09



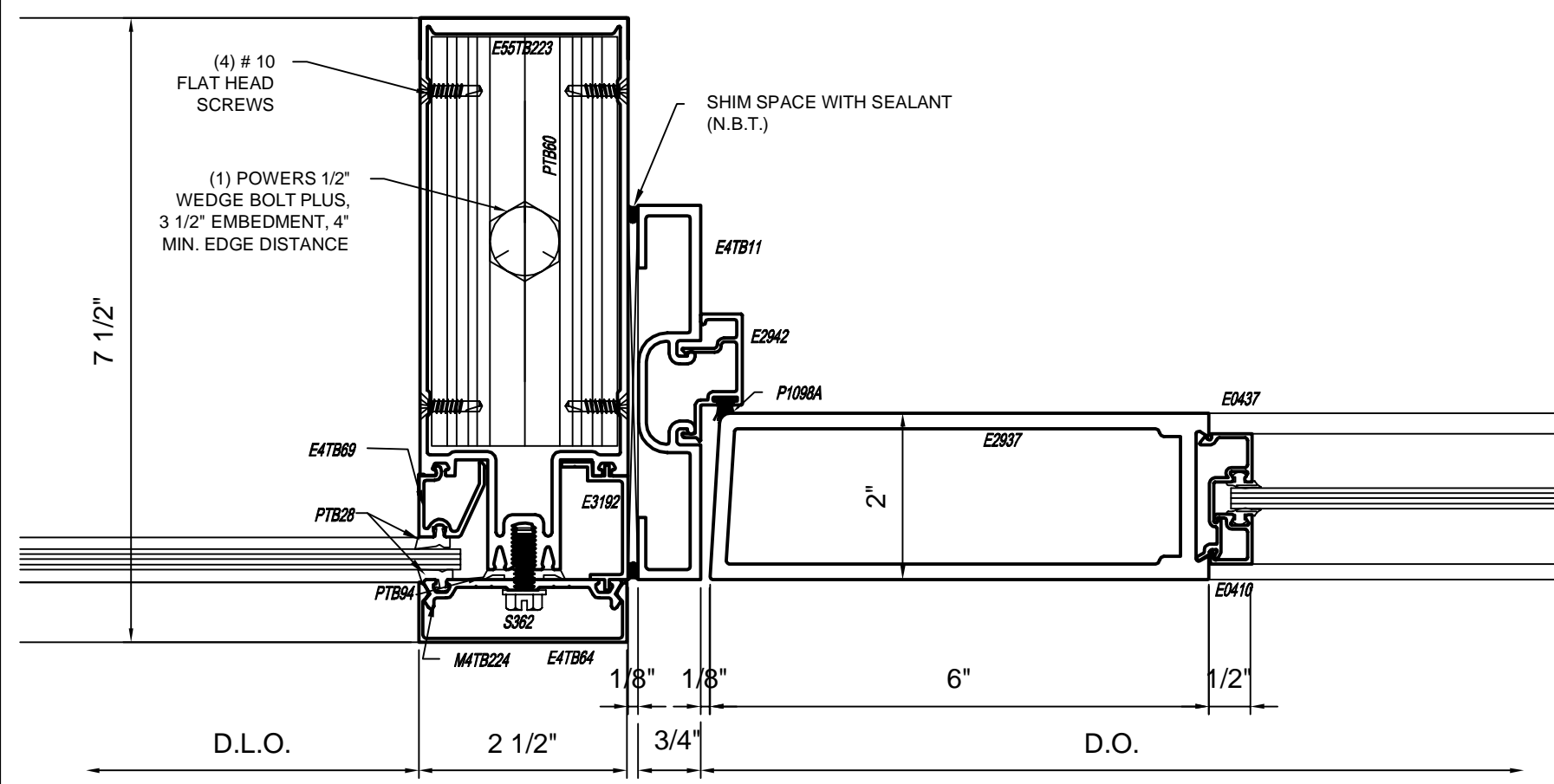
NO	DESCRIPTION	DATE
1ST. REVISION		1/10/12
1ST. SUBMISSION (ENGINEERING CALCS)		11/7/11
1ST. SUBMISSION		9/6/11

TUBELITE
 STOREFRONTS & ENTRANCES
 3056 WALKER RIDGE DRIVE, NW, SUITE G
 WALKER, MICHIGAN 49544
 800-866-2227 PHONE
 www.tubeliteinc.com

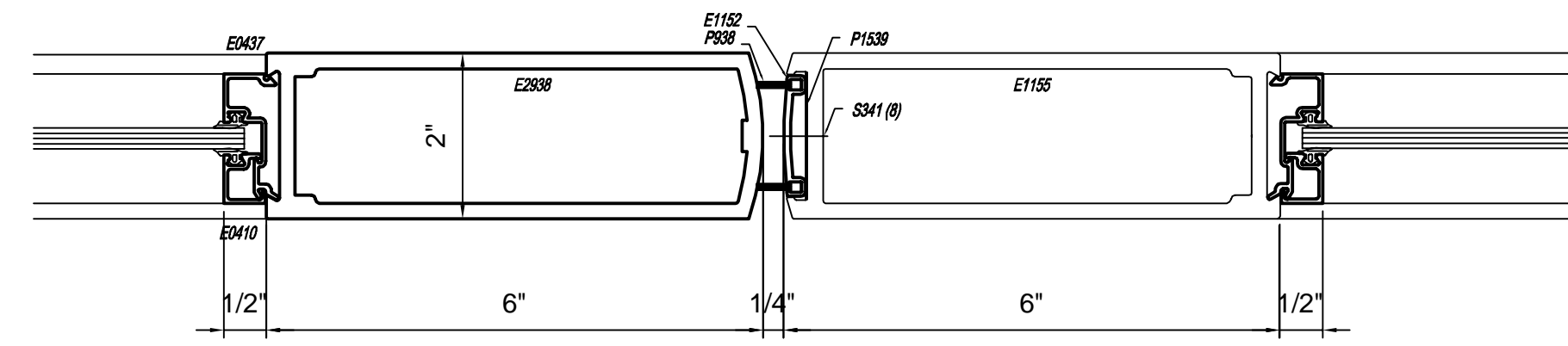


PROJECT:	PROJECT INFORMATION
DRAWN BY:	PROJECT ADDRESS
CHECKED BY:	CUSTOMER NAME
JOB NAME:	CUSTOMER ADDRESS
SHEET NO.:	3.10

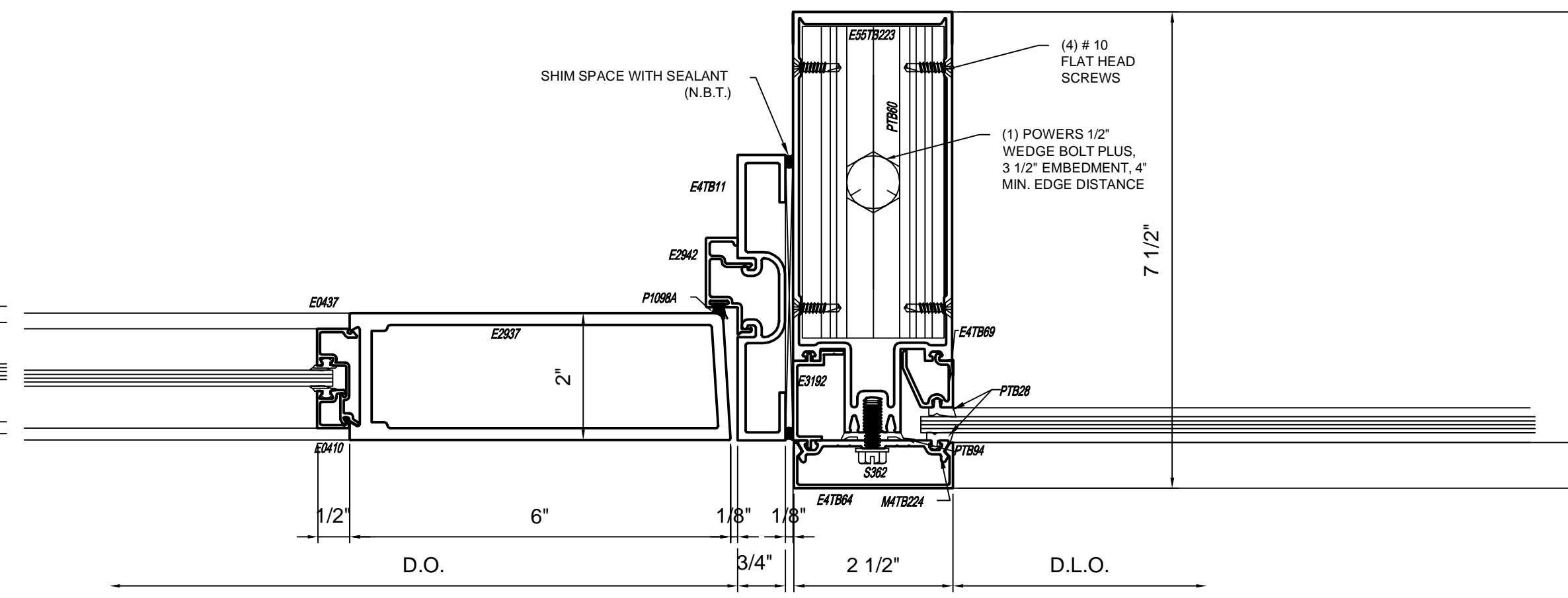
DRAWING SUBMISSION



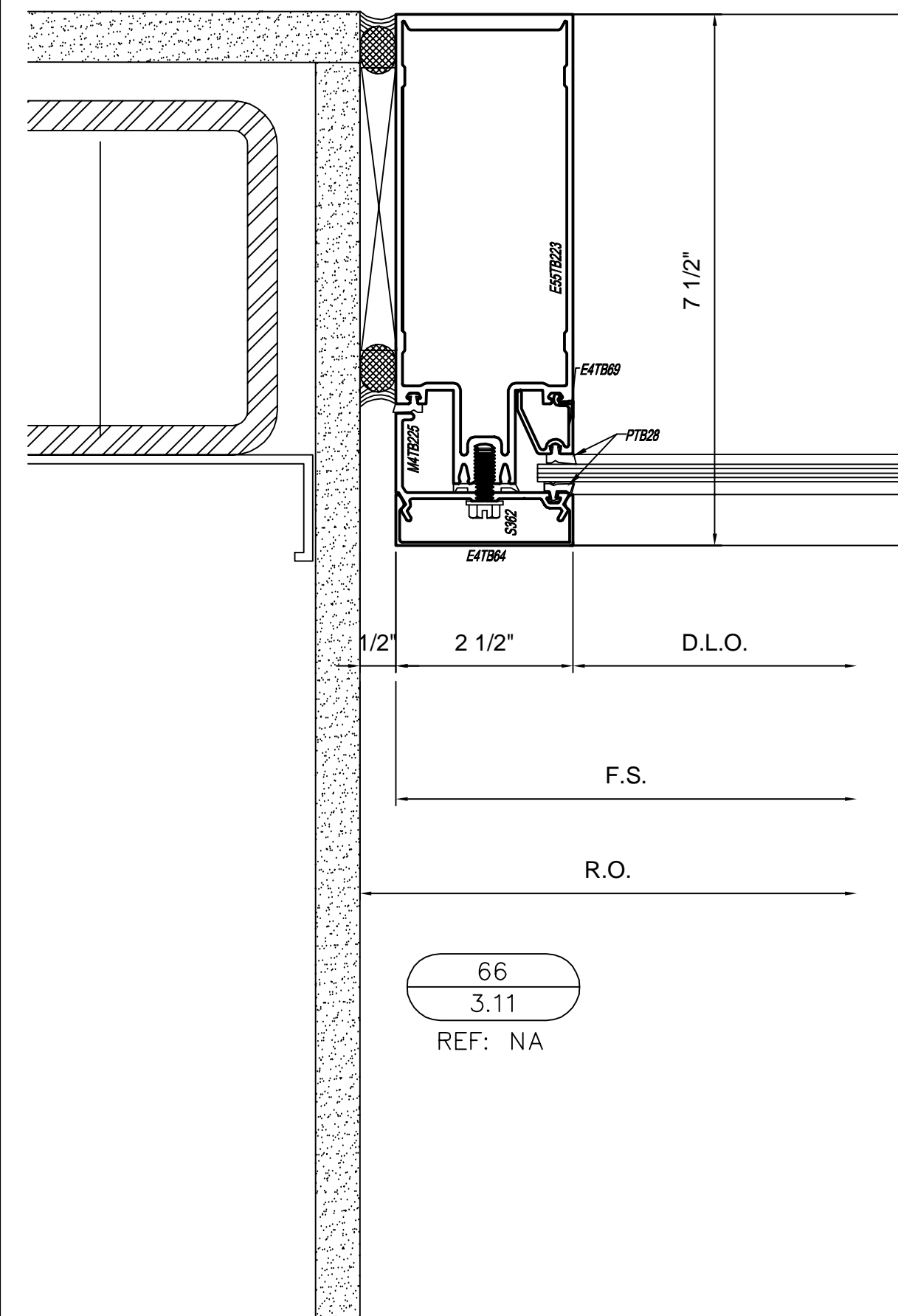
63
3.11
REF: NA



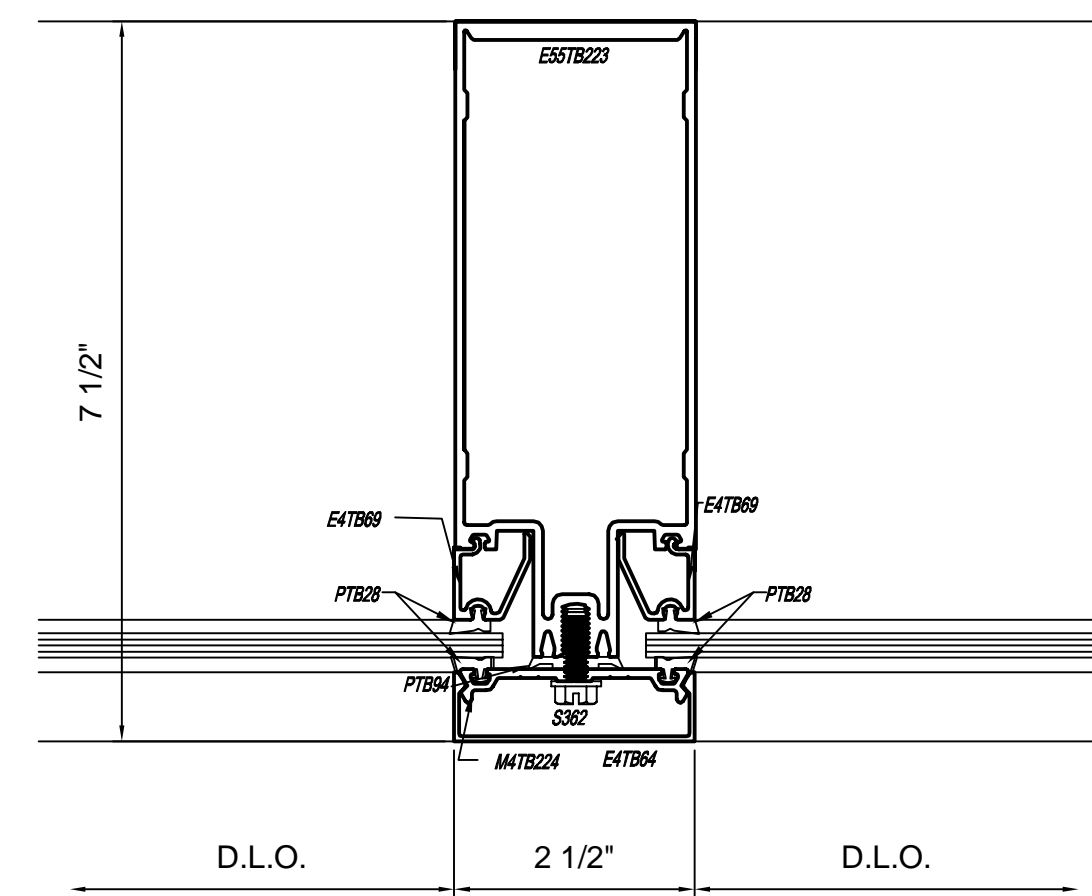
64
3.11
REF: NA



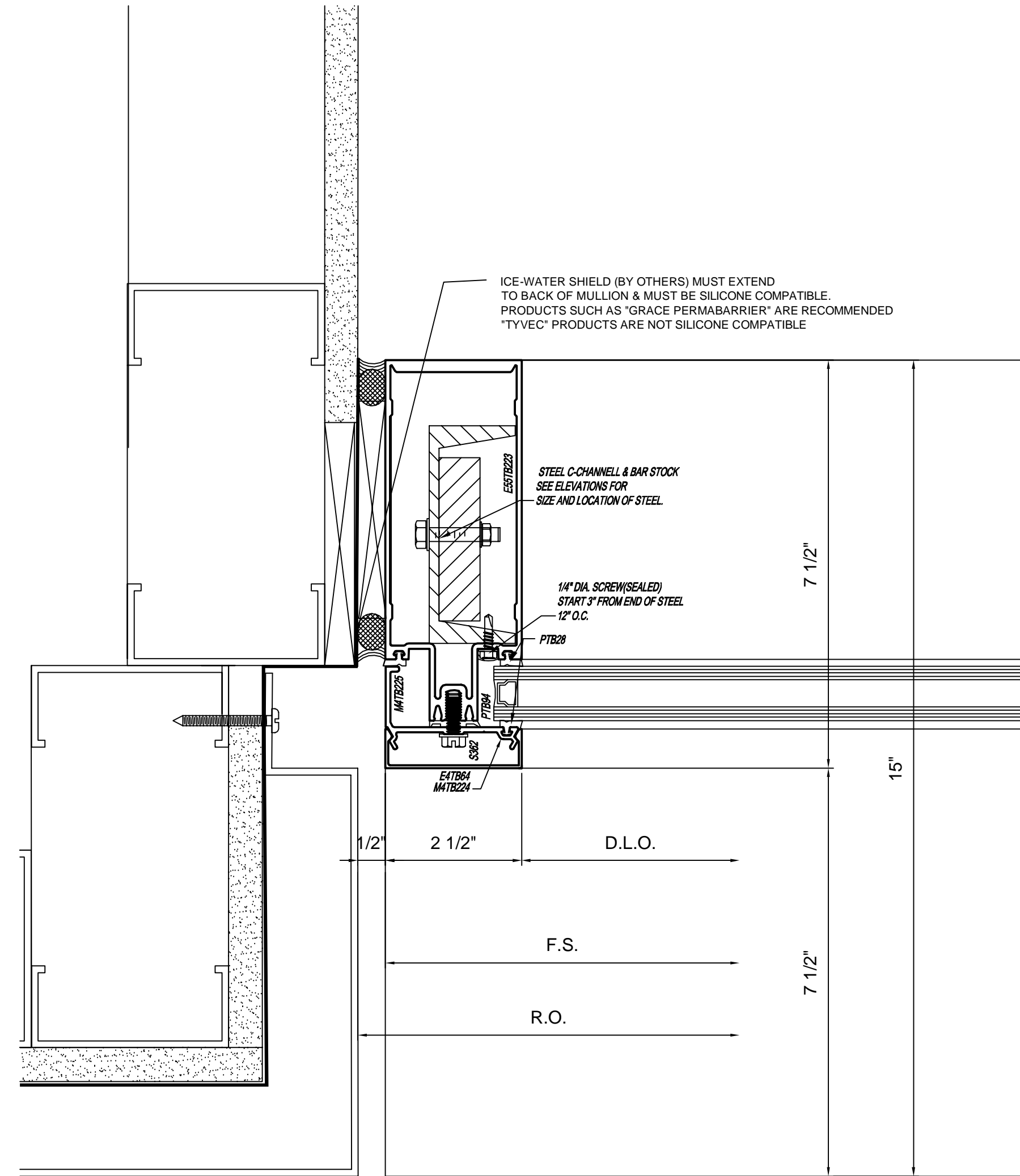
65
3.11
REF: NA



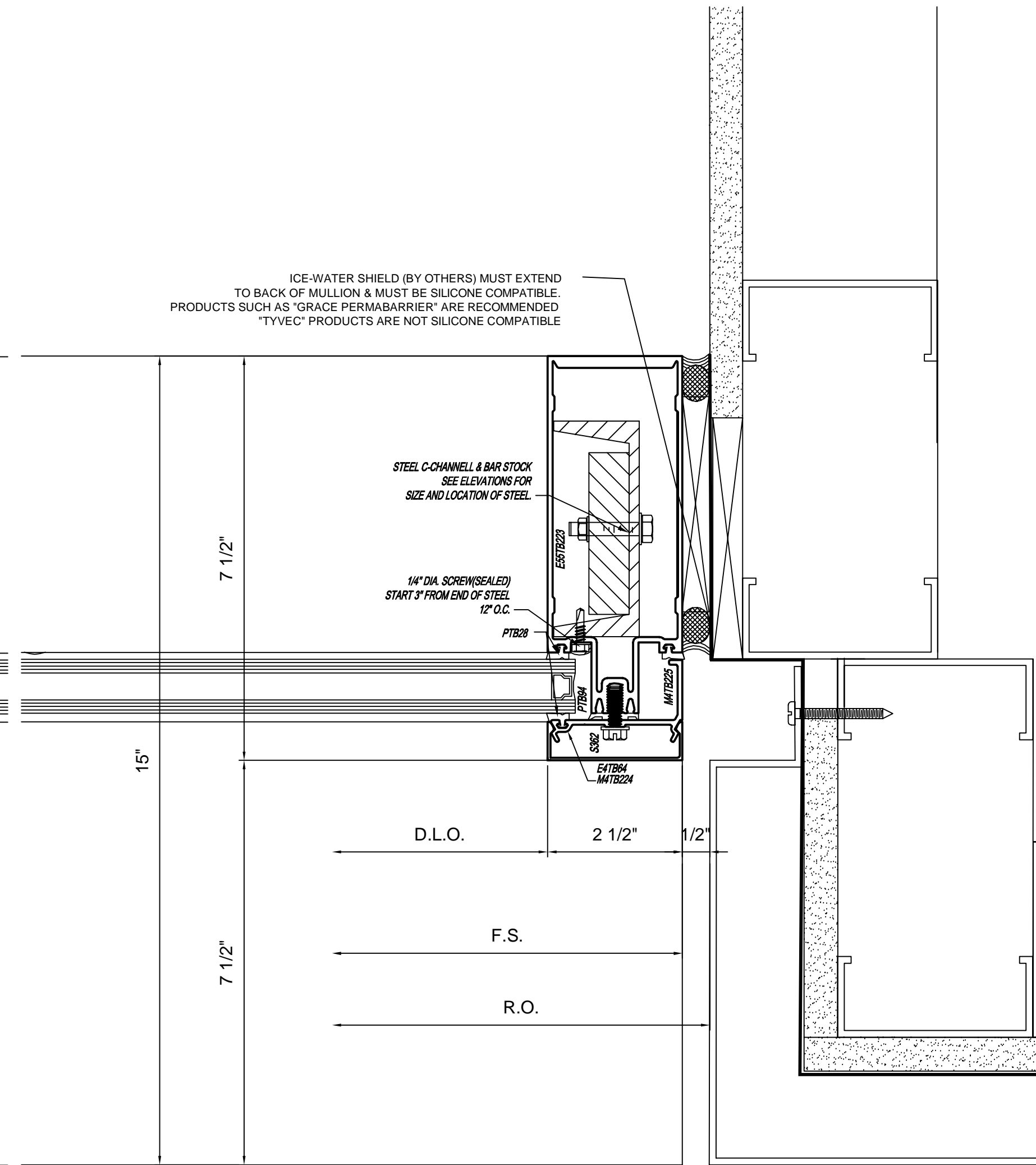
66
3.11
REF: NA



67
3.11
REF: NA



68
3.11
REF 9/A4.8



69
3.11
REF 9/A4.8

TUBELITE
STOREFRONTS & ENTRANCES
DEPENDABLE
3056 WALKER RIDGE DRIVE, NW, SUITE G
WALKER, MICHIGAN 49544
800-866-2227 PHONE
www.tubeliteinc.com

PROJECT INFORMATION
PROJECT ADDRESS

CUSTOMER NAME
CUSTOMER ADDRESS

PROJECT: SUB CONTRACTOR/INSTALLER
DRAWN BY: CW
CHECKED BY: JR
JOB NAME: VC SUMMER NUCLEAR
SHEET NO: 3.11

DATE: 9/6/11

DATE: 9/6/11

DATE: 9/6/11

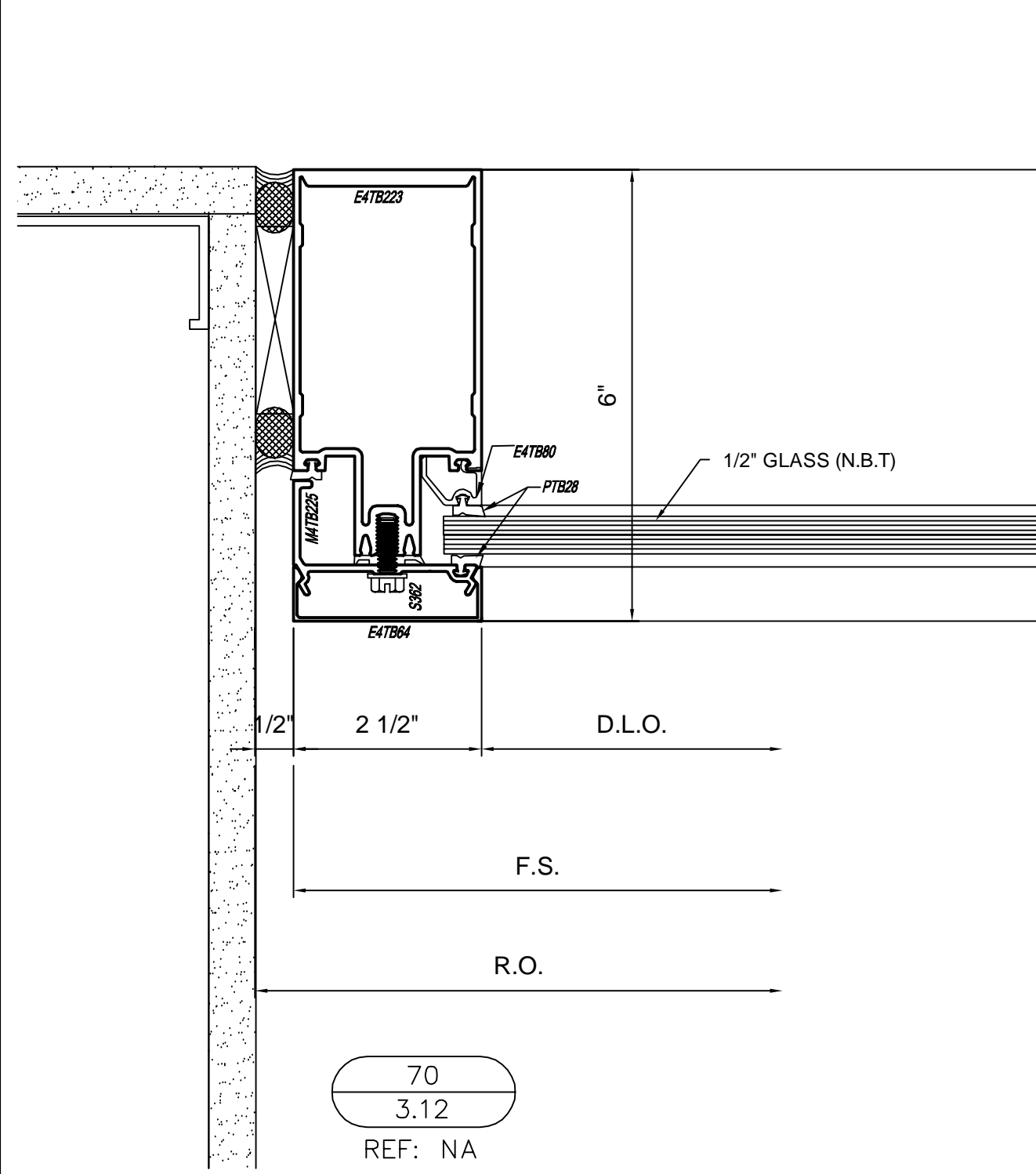
DATE: 9/6/11

DATE: 9/6/11

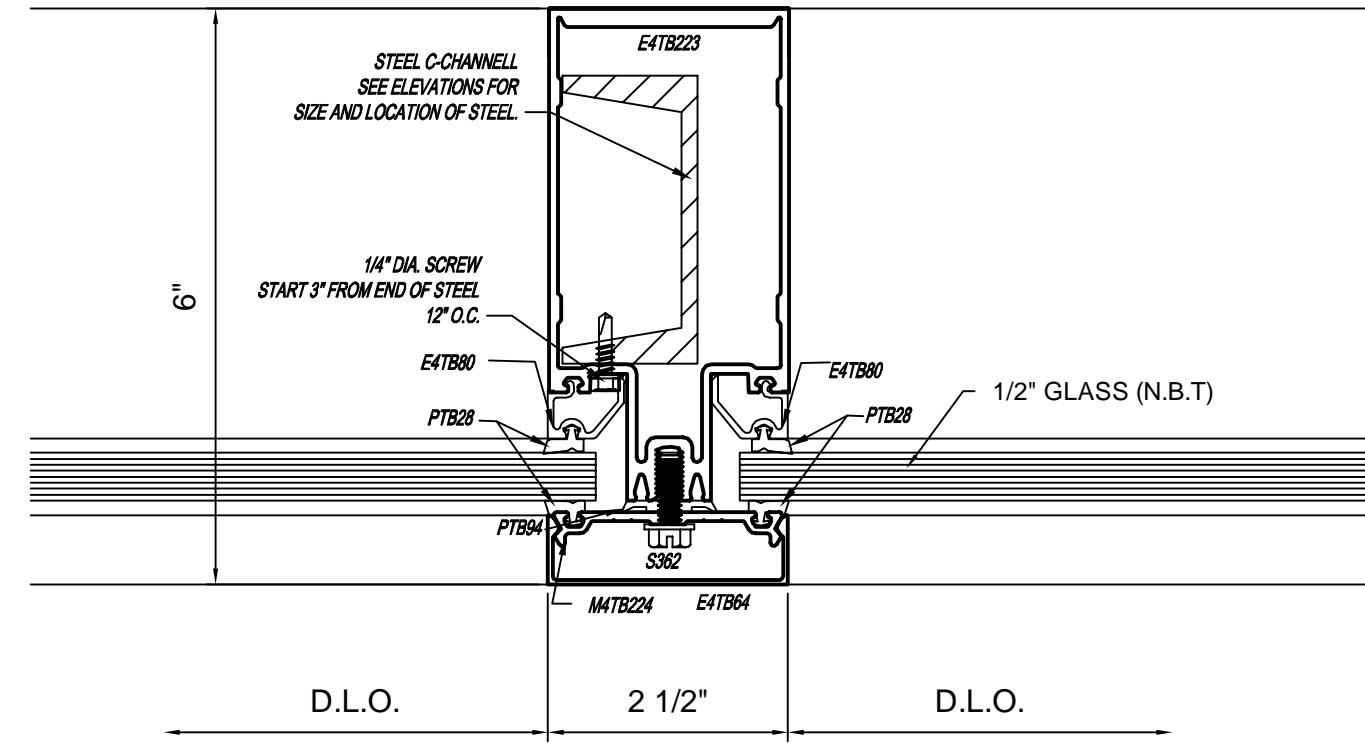
DATE: 9/6/11

NO	DESCRIPTION	DATE
1ST. REVISION		1/10/12
1ST. SUBMISSION (ENGINEERING CALCS)		11/17/11
1ST. SUBMISSION		9/6/11

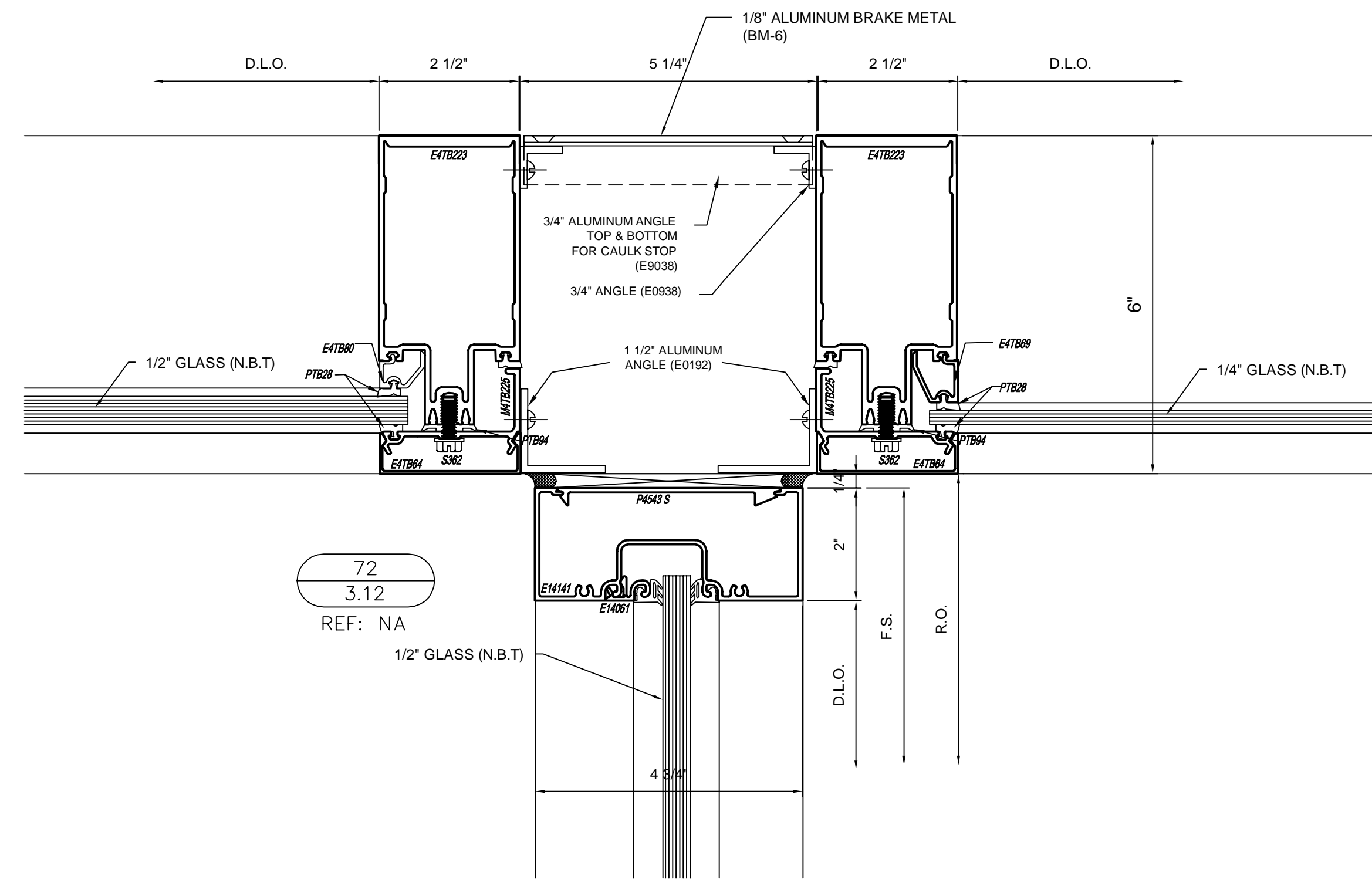
DRAWING SUBMISSION



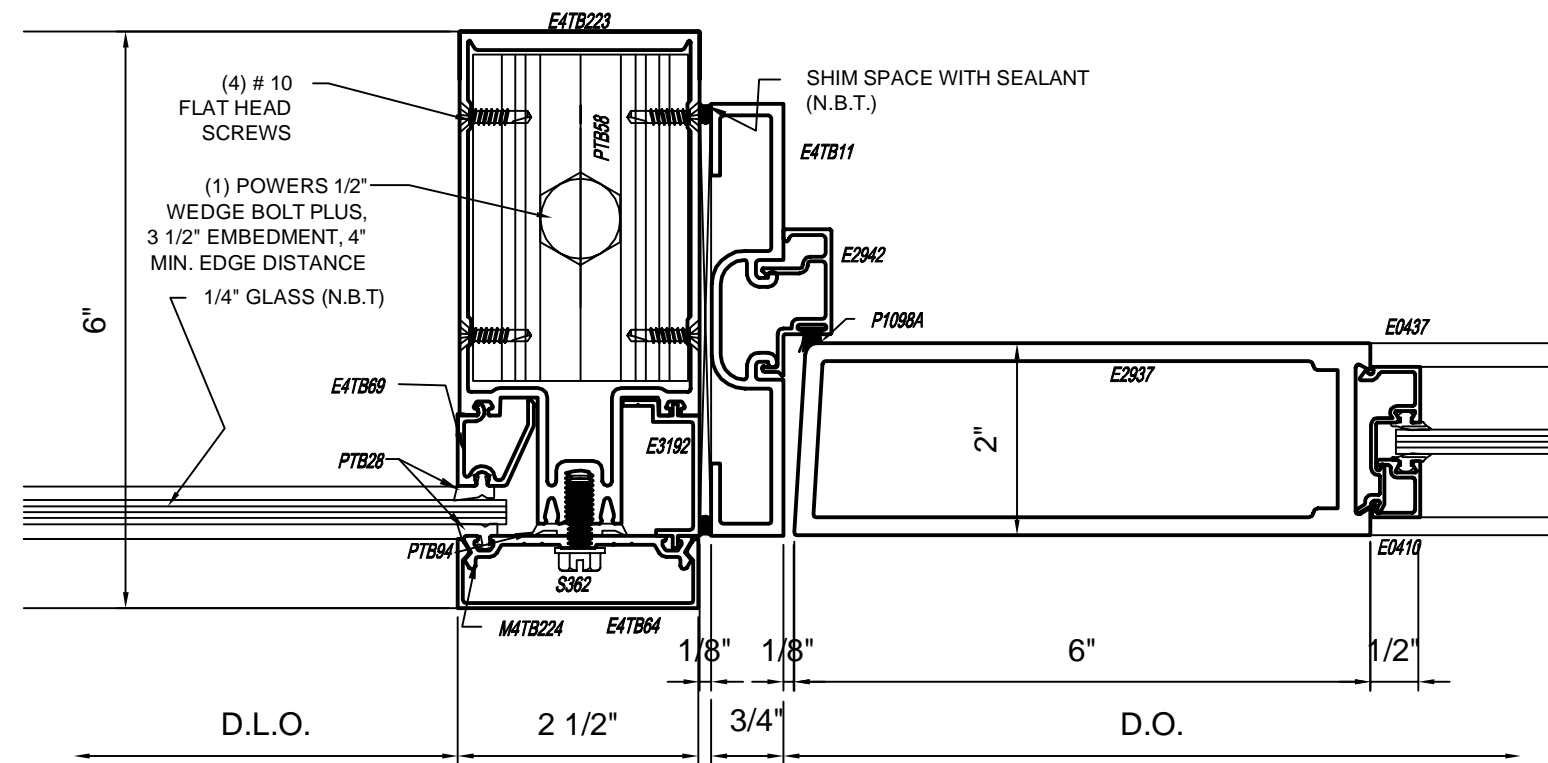
70
3.12
REF: NA



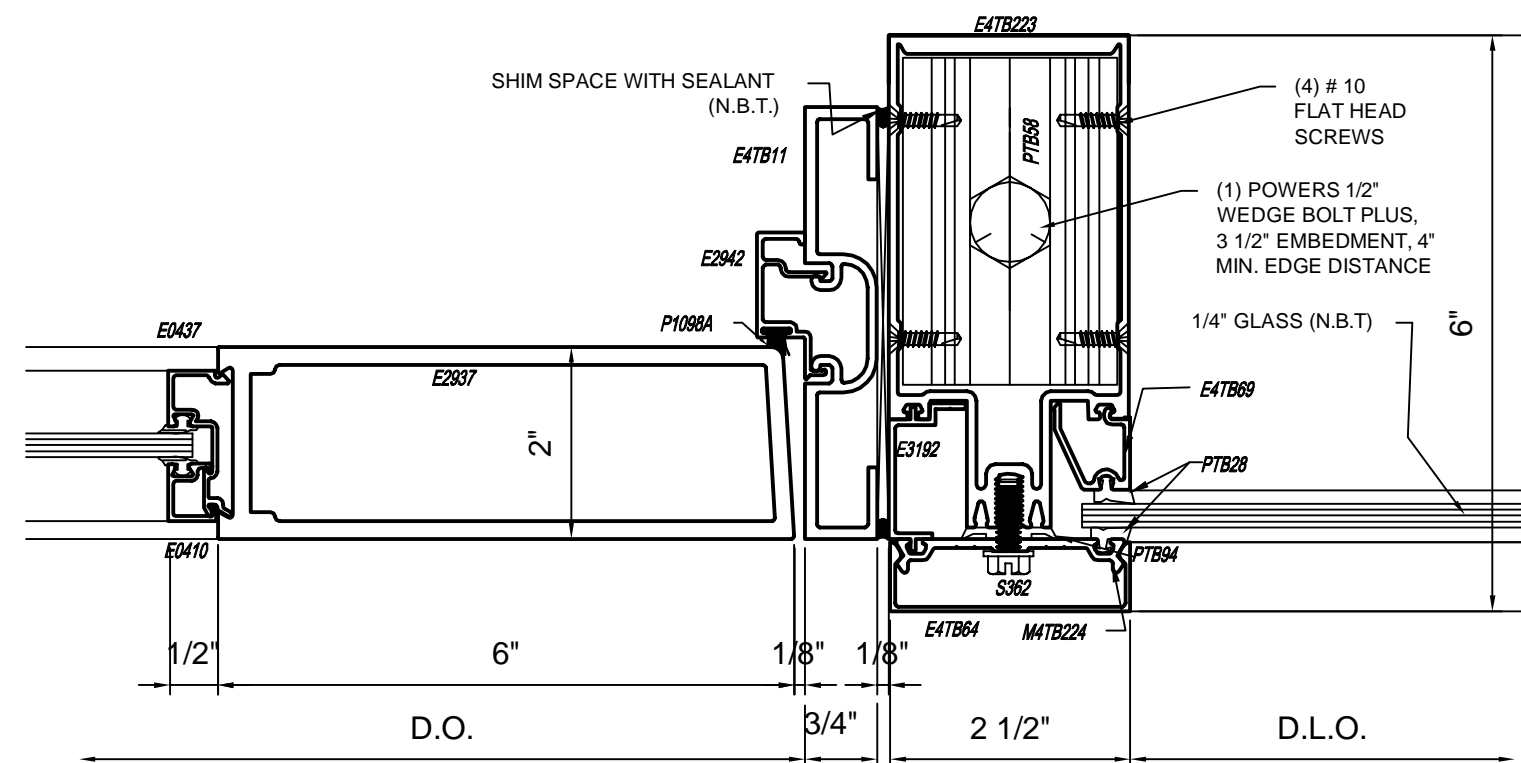
71
3.12
REF: NA



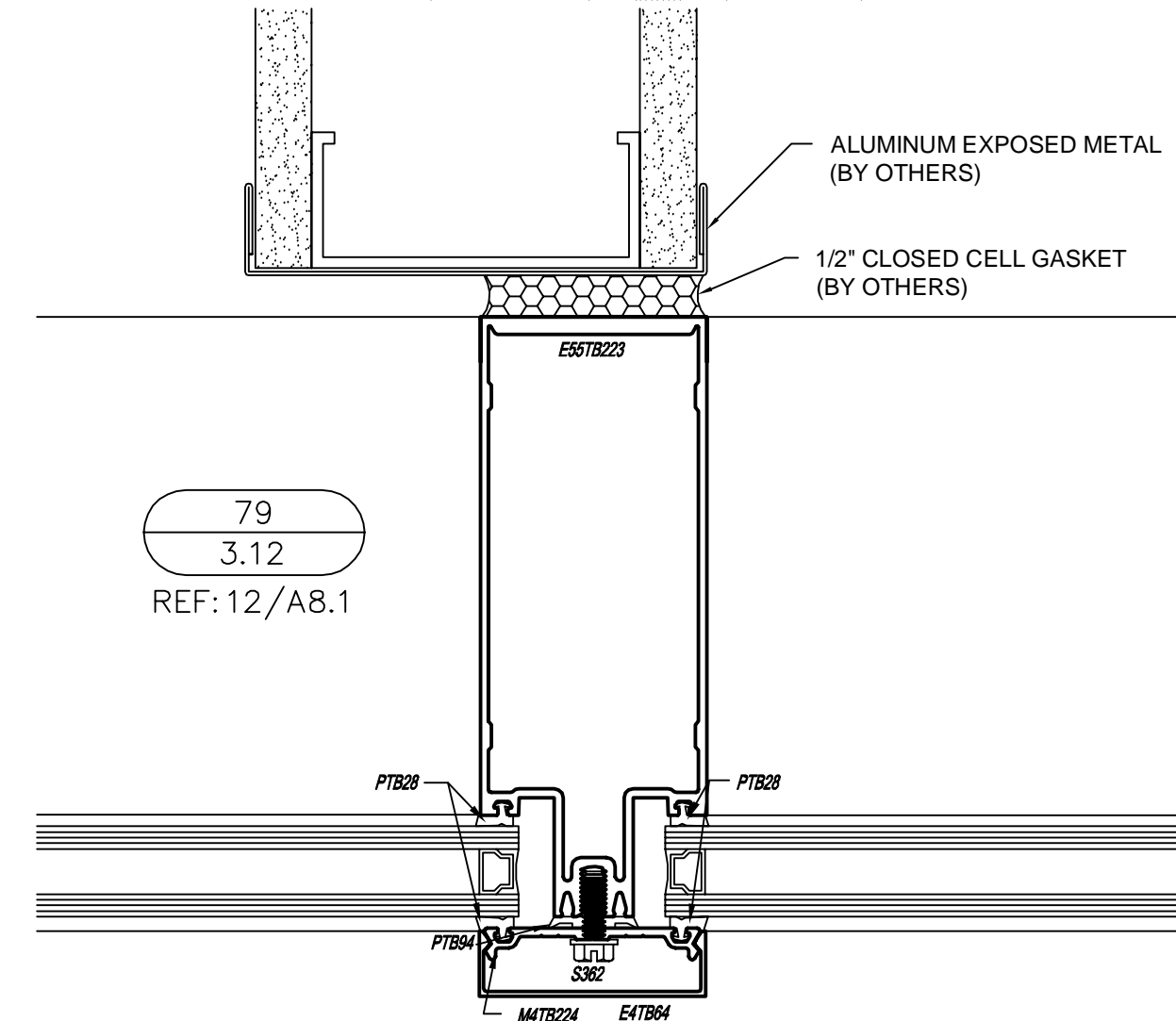
72
3.12
REF: NA



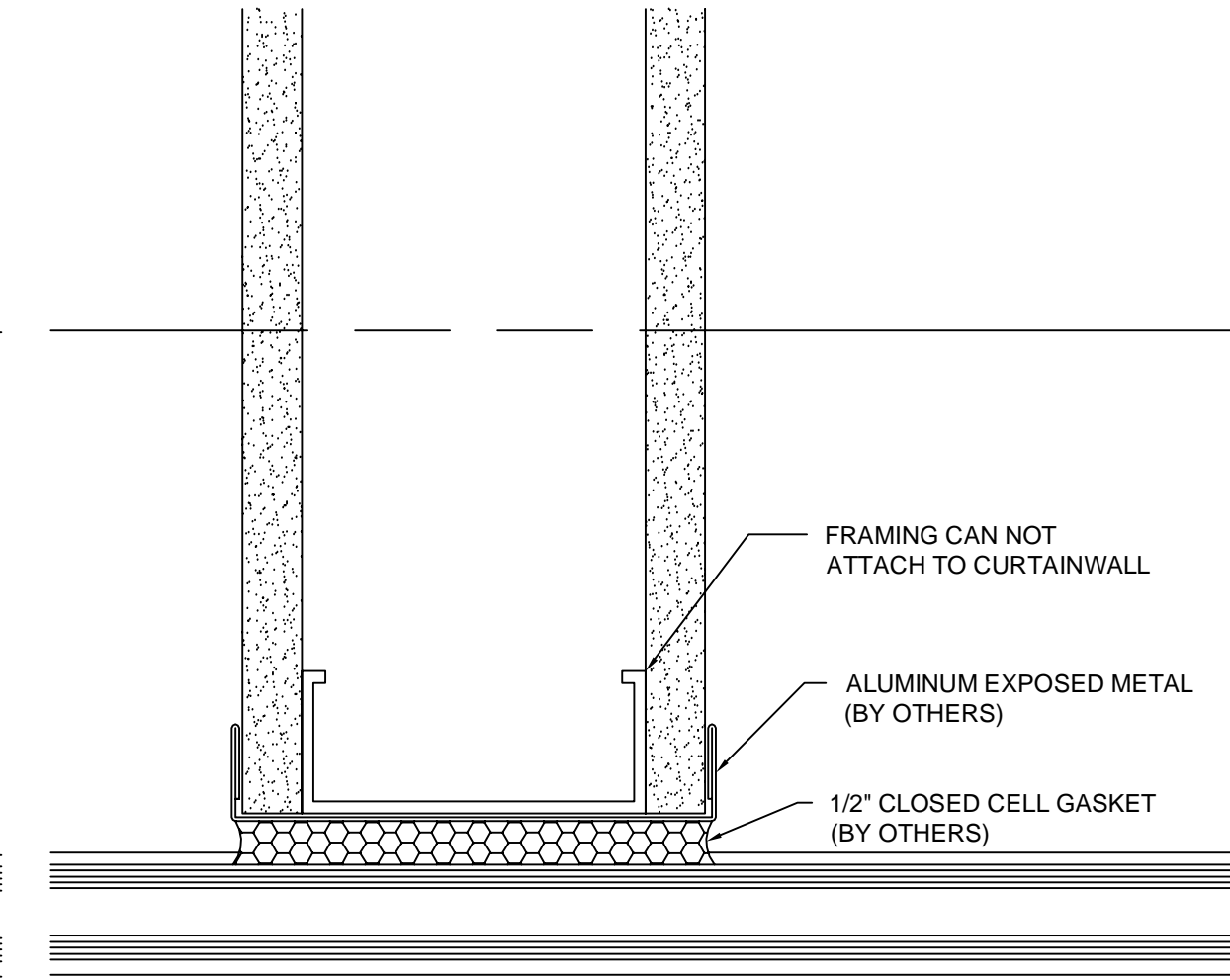
73
3.12
REF: NA



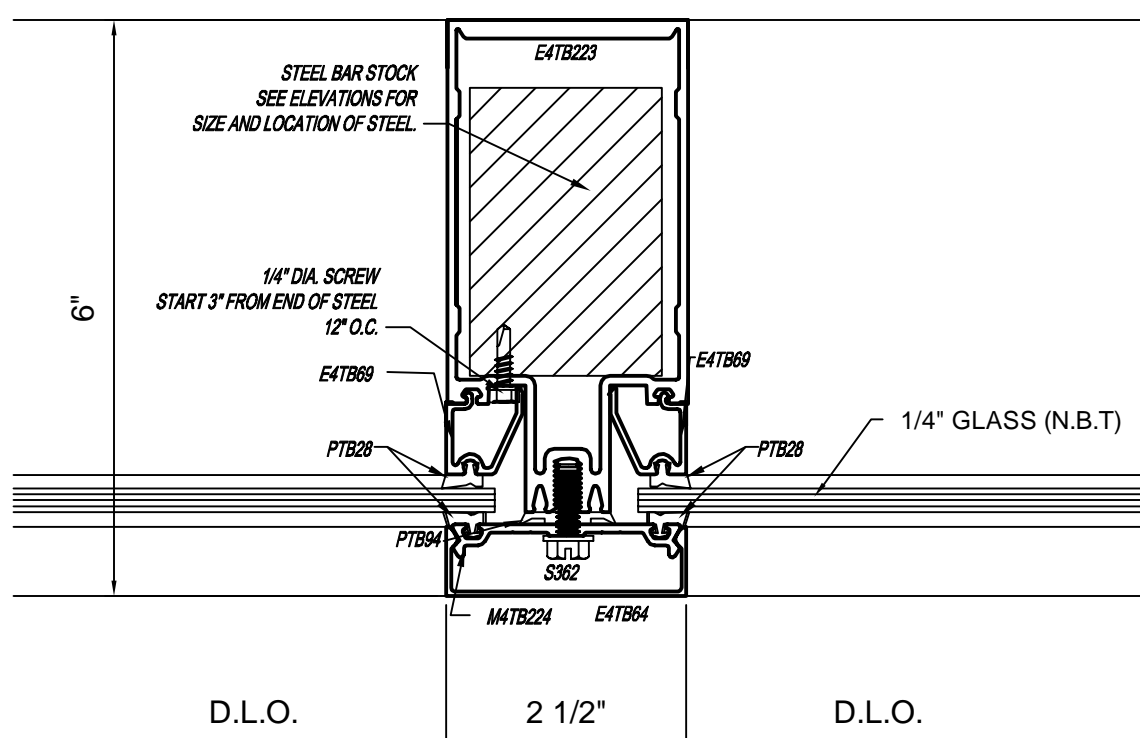
74
3.12
REF: NA



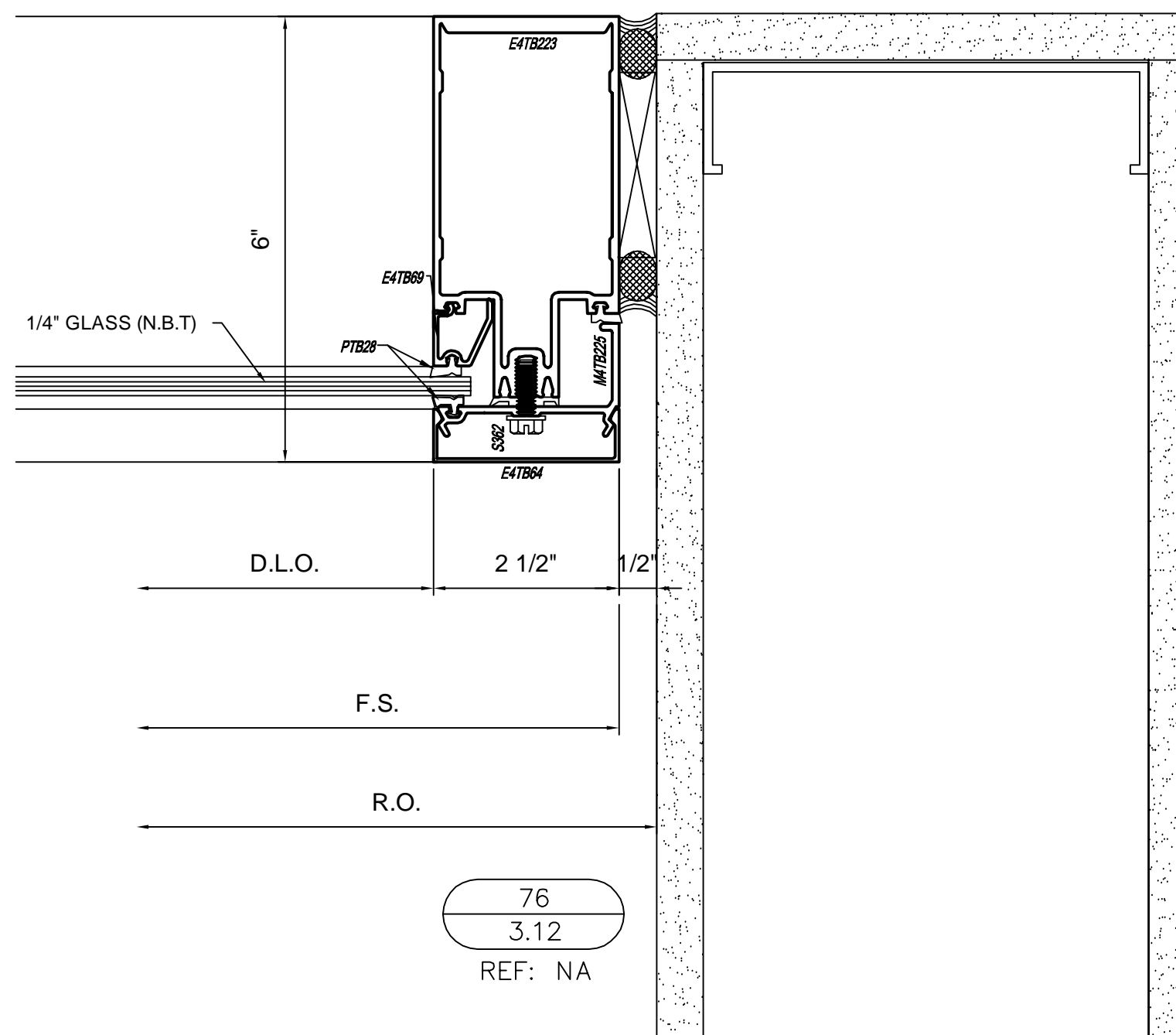
79
3.12
REF: 12/A8.1



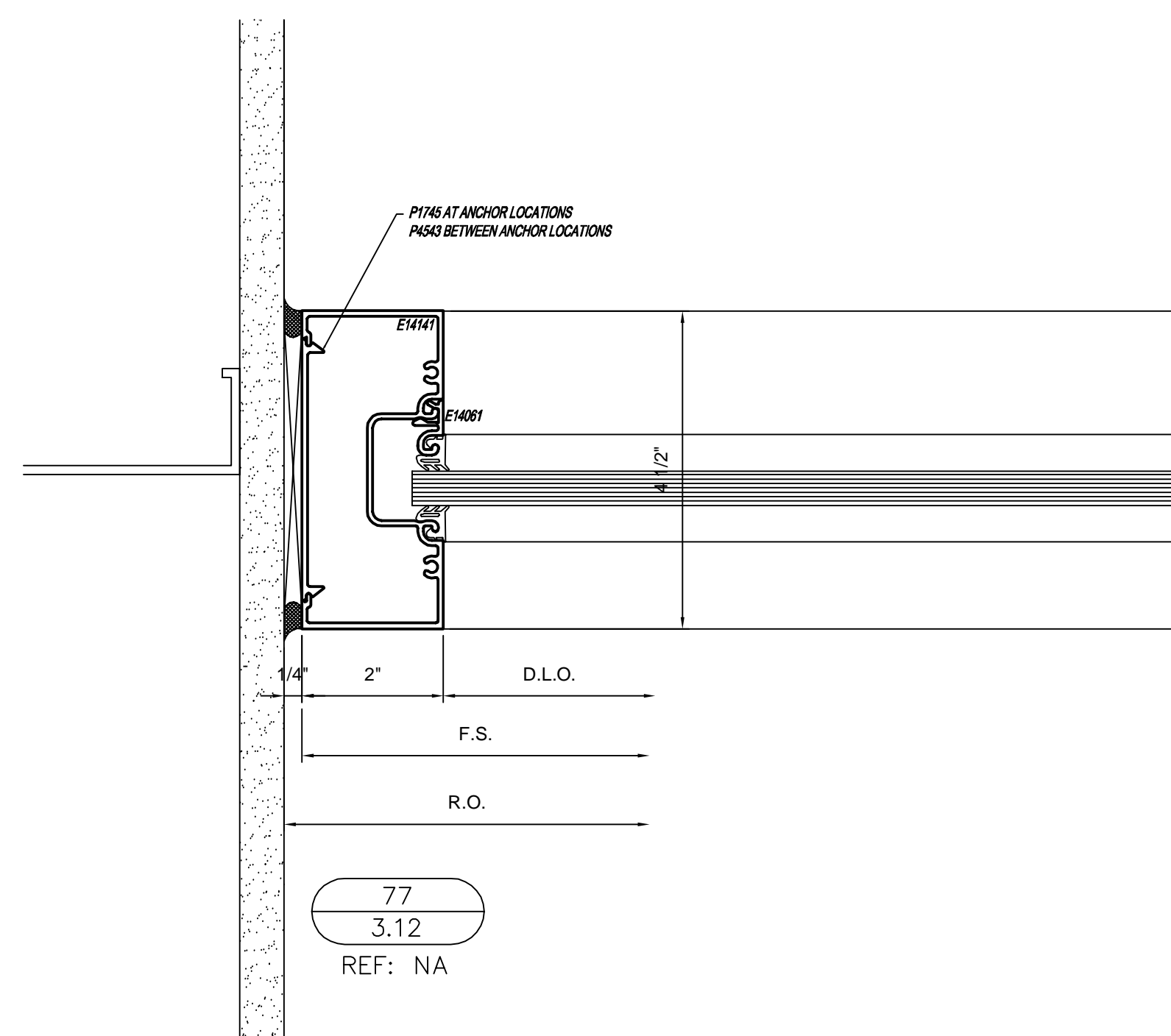
80
3.12
REF: 11/A8.1



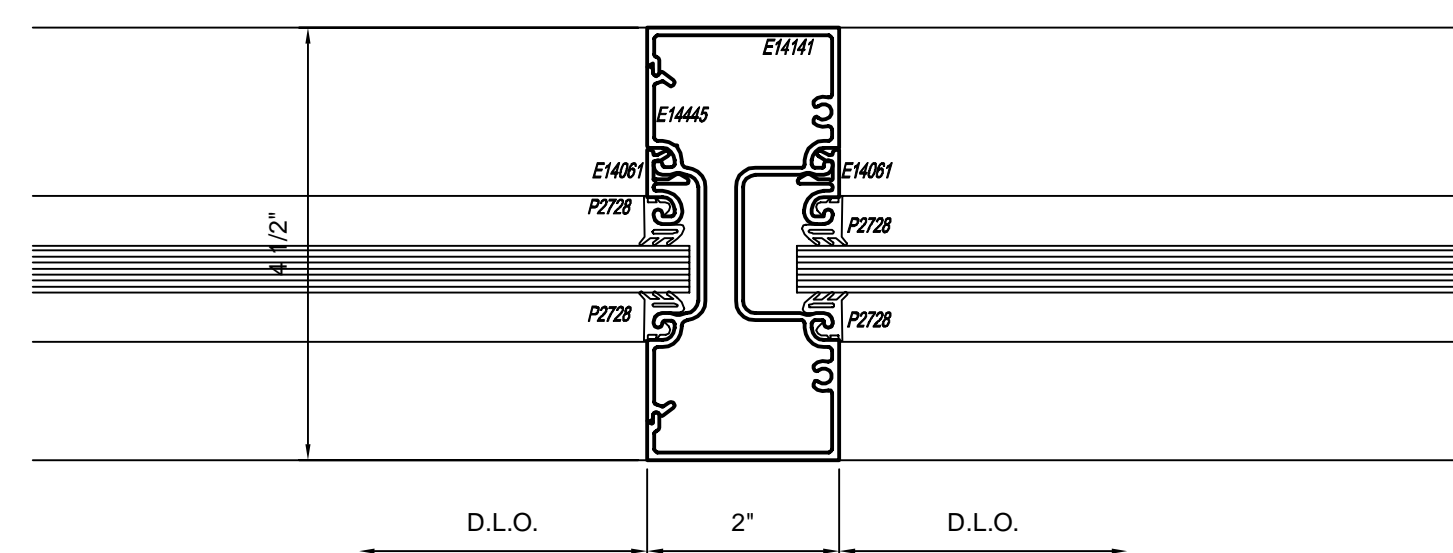
75
3.12
REF: NA



76
3.12
REF: NA

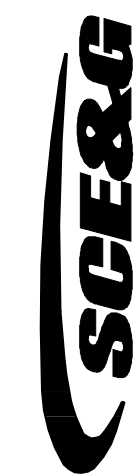


77
3.12
REF: NA



78
3.12
REF: NA

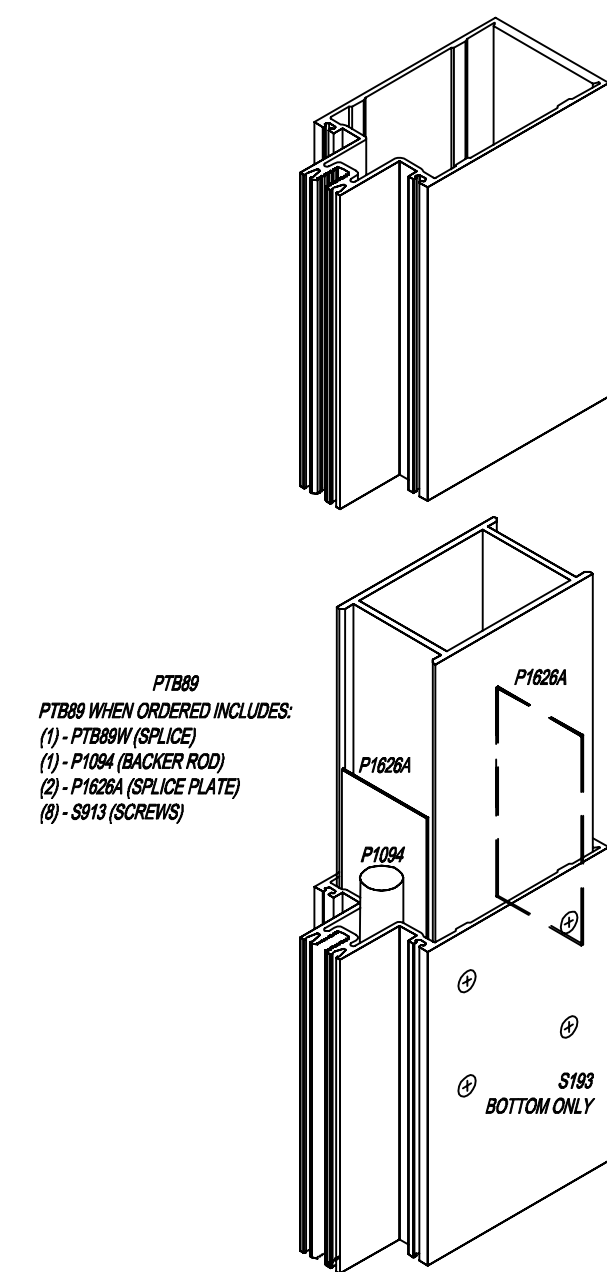
TUBELITE
STOREFRONTS & ENTRANCES
DEPENDABLE
3056 WALKER RIDGE DRIVE, NW, SUITE G
WALKER, MICHIGAN 49544
800-866-2227 PHONE
www.tubeliteinc.com



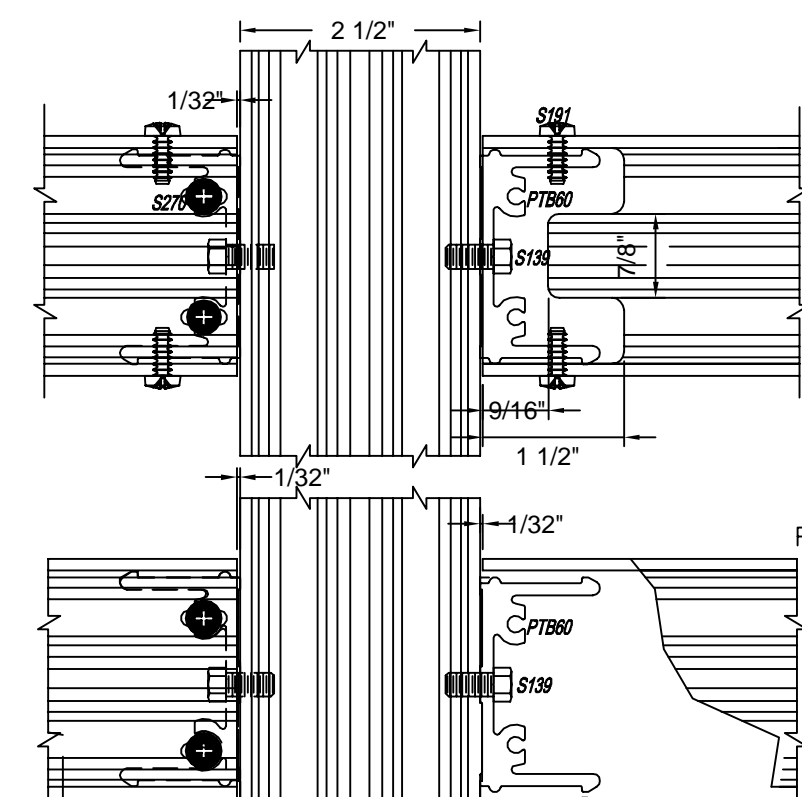
PROJECT INFORMATION
PROJECT ADDRESS
CUSTOMER NAME
CUSTOMER ADDRESS

PROJECT:	VC SUMMER NUCLEAR	DRAWING SUBMISSION
DRAWN BY:	CW	DATE: 9/6/11
CHECKED BY:	JR	DATE: 9/6/11
JOB NAME:	VC SUMMER NUCLEAR	
SHEET NO.:	3.12	

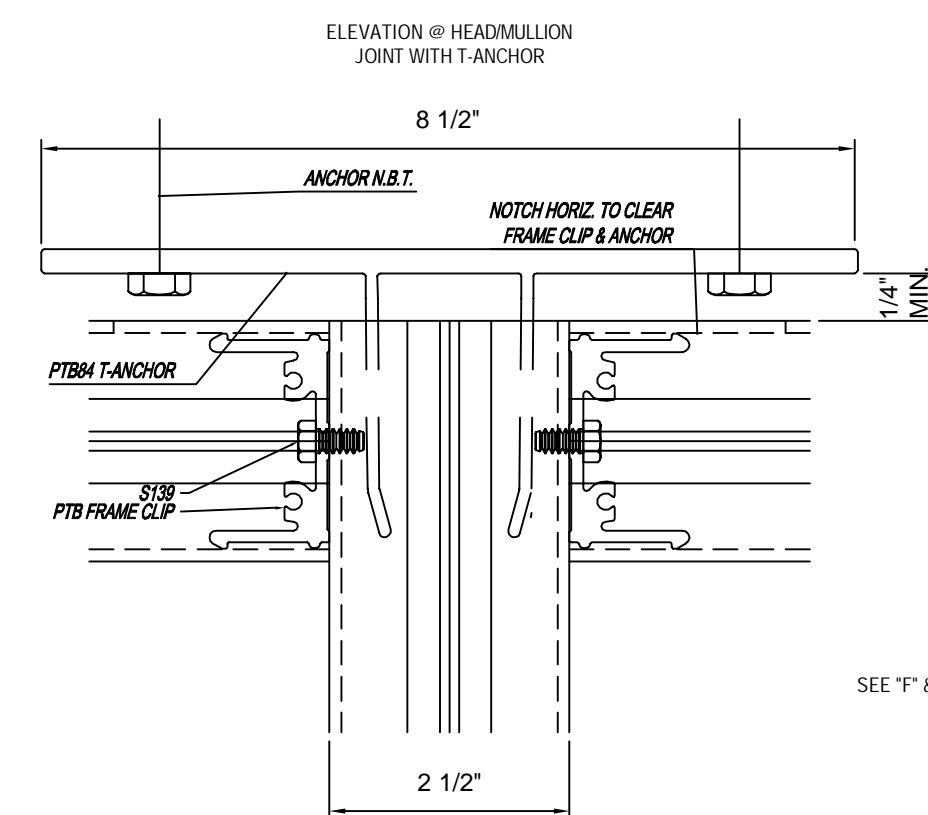
NO.	DESCRIPTION	DATE
1ST. SUBMISSION		9/6/11
1ST. SUBMISSION (ENGINEERING CALCS)		11/7/11
1ST. REVISION		1/10/12



101
4.01
REF: WORKING SPLICE

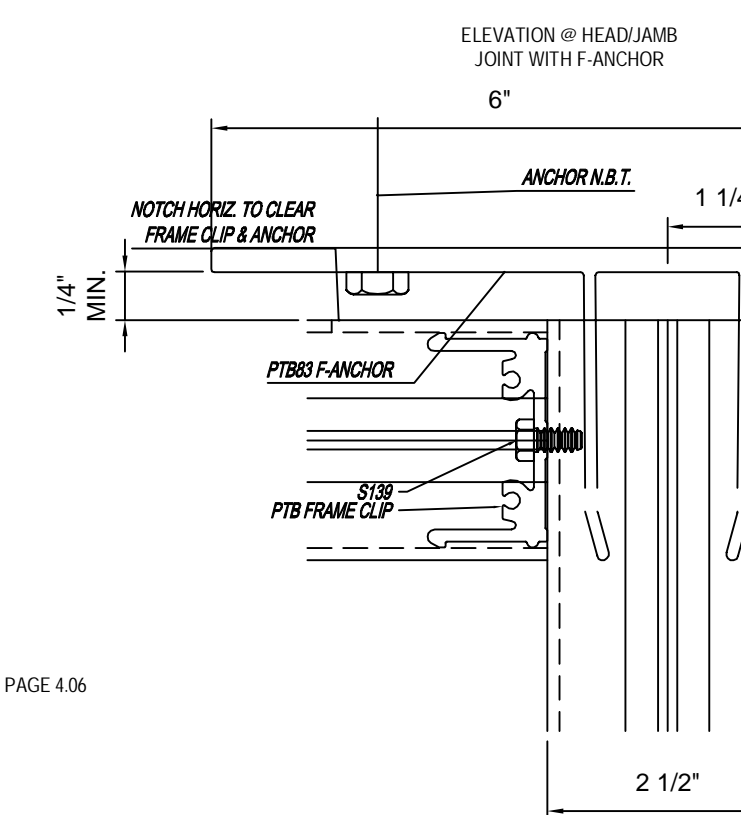


102
4.01
REF: TYPICAL SHEAR BLOCKS

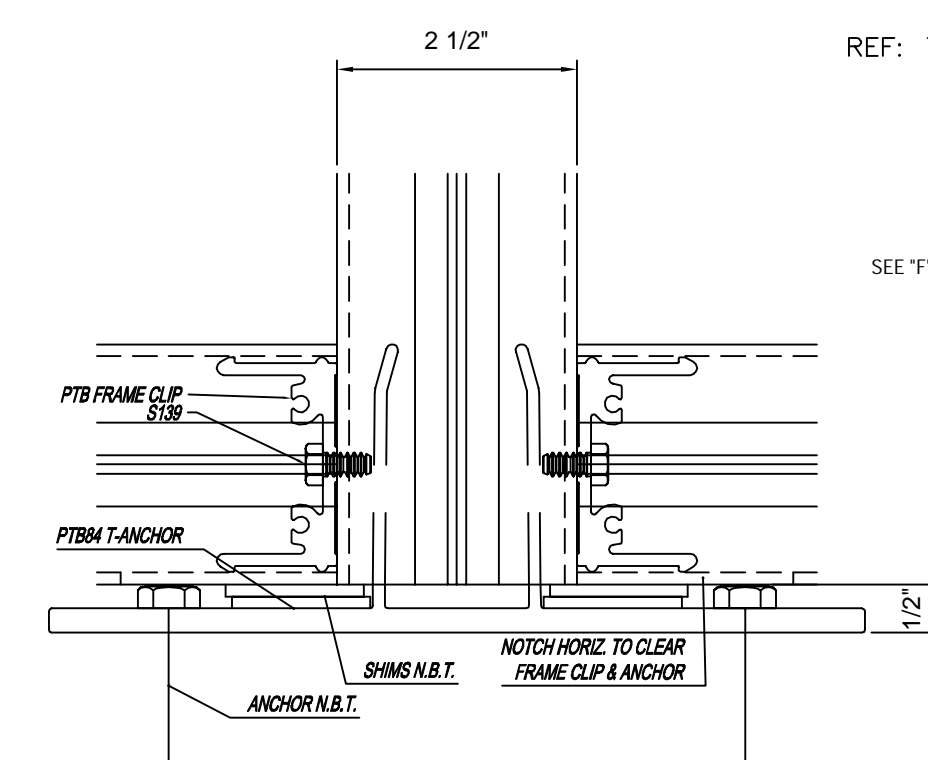


SEE 'T' & 'T' CLIP LAY OUTS PAGE 4.06

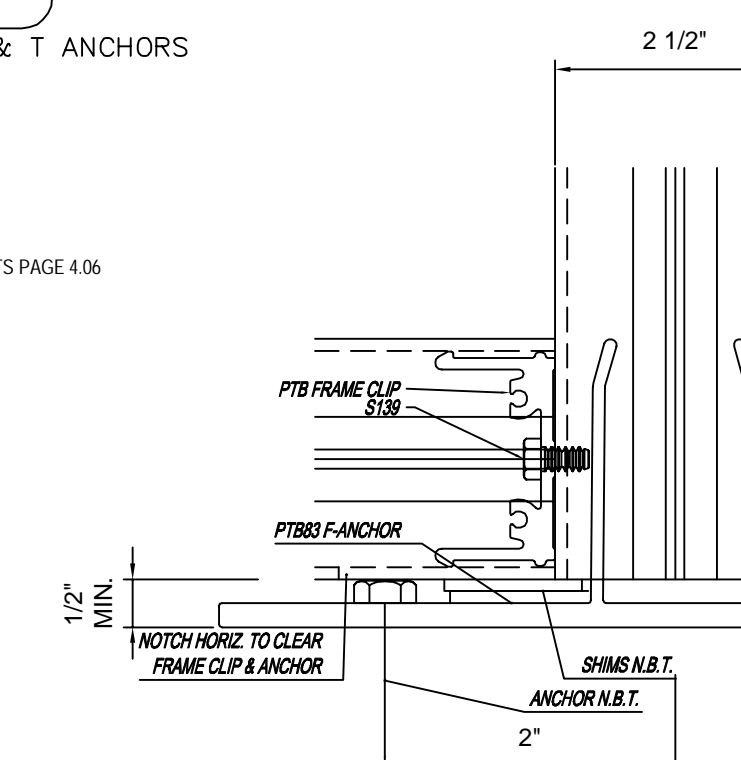
103
4.01
REF: TYPICAL F & T ANCHORS



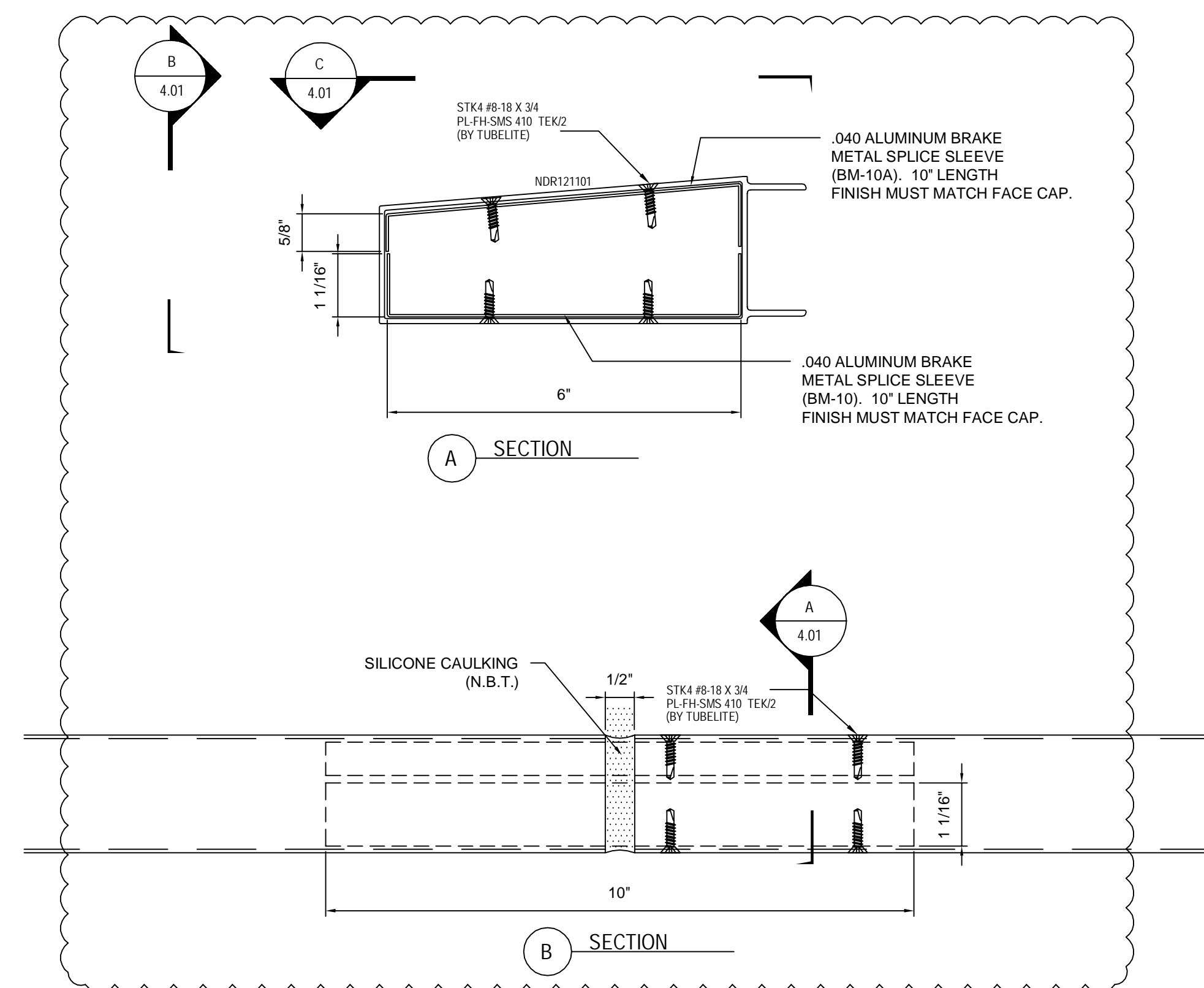
SEE 'F' & 'T' CLIP LAY OUTS PAGE 4.06



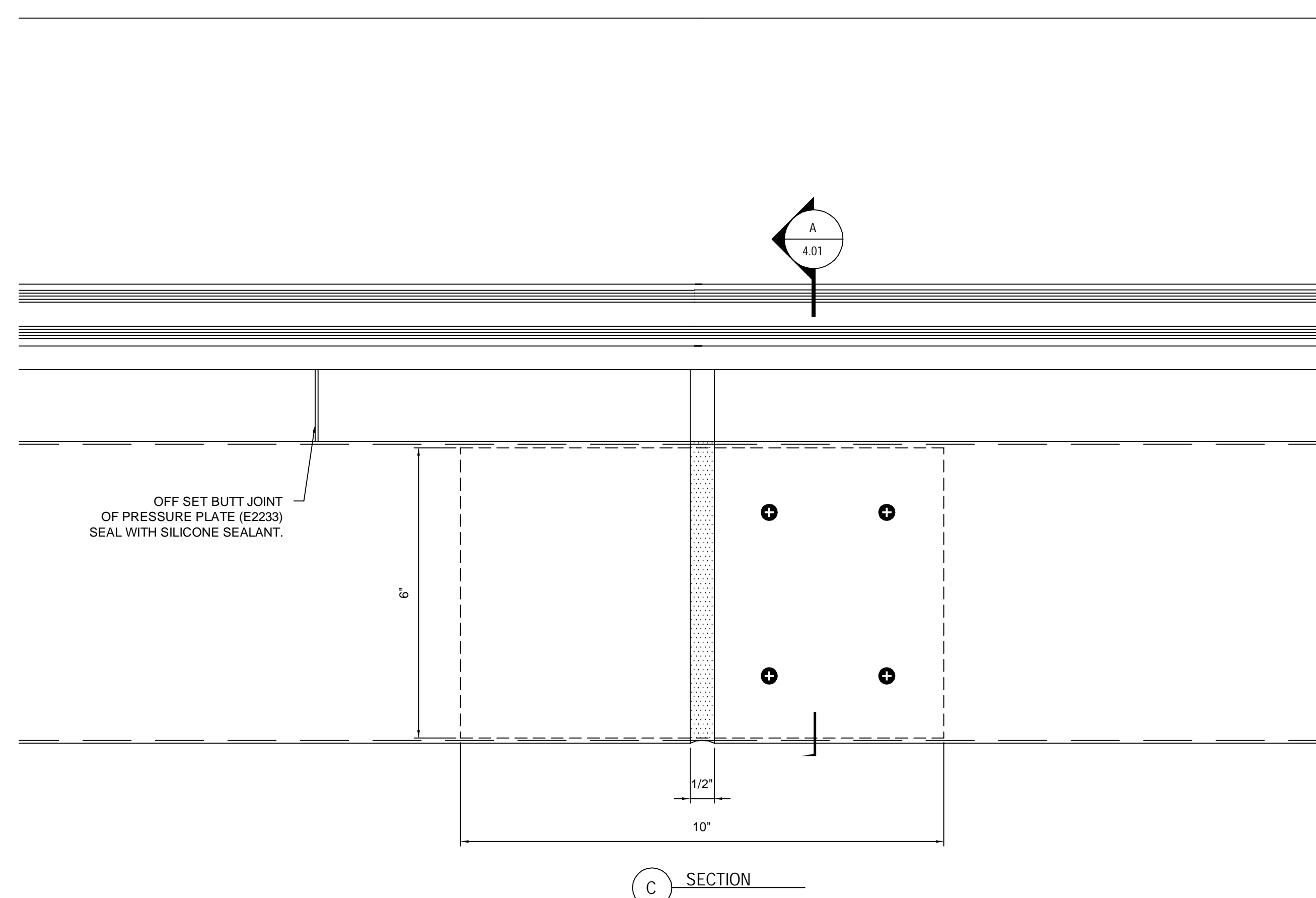
ELEVATION @ SILL MULLION
JOINT WITH T-ANCHOR



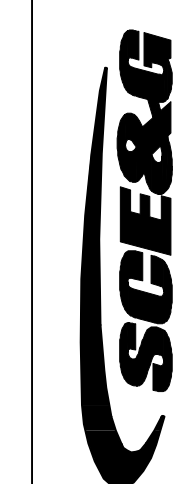
JOINT WITH F-ANCHOR
ELEVATION @ HEAD JAMB



104
4.01
REF: HORIZ. FACE SPLICE



TUBELITE[®] **DEPENDABLE**
STOREFRONTS & ENTRANCES
3056 WALKER RIDGE DRIVE, NW, SUITE G
WALKER, MICHIGAN 49544
800-866-2227 PHONE
www.tubeliteinc.com



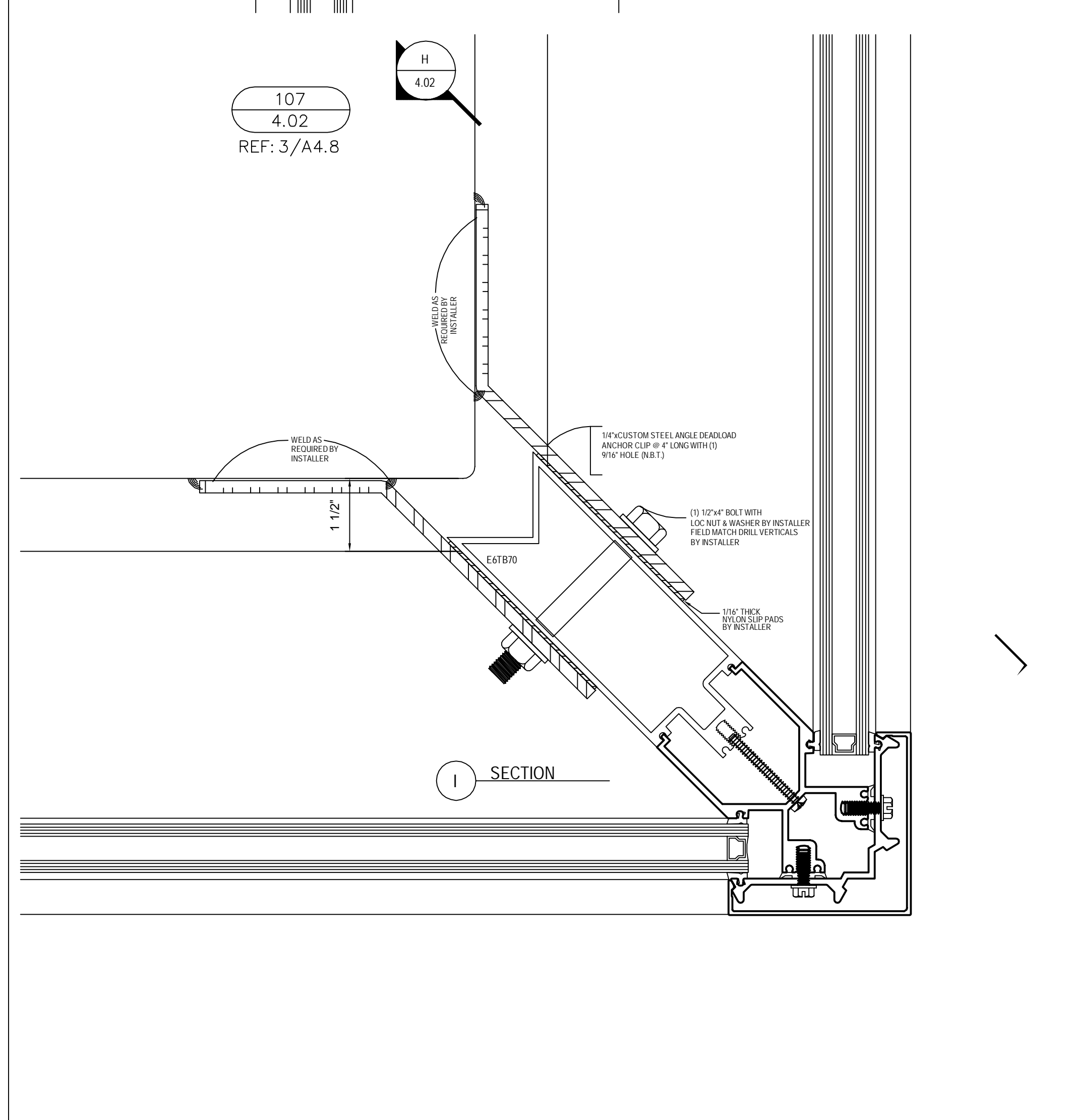
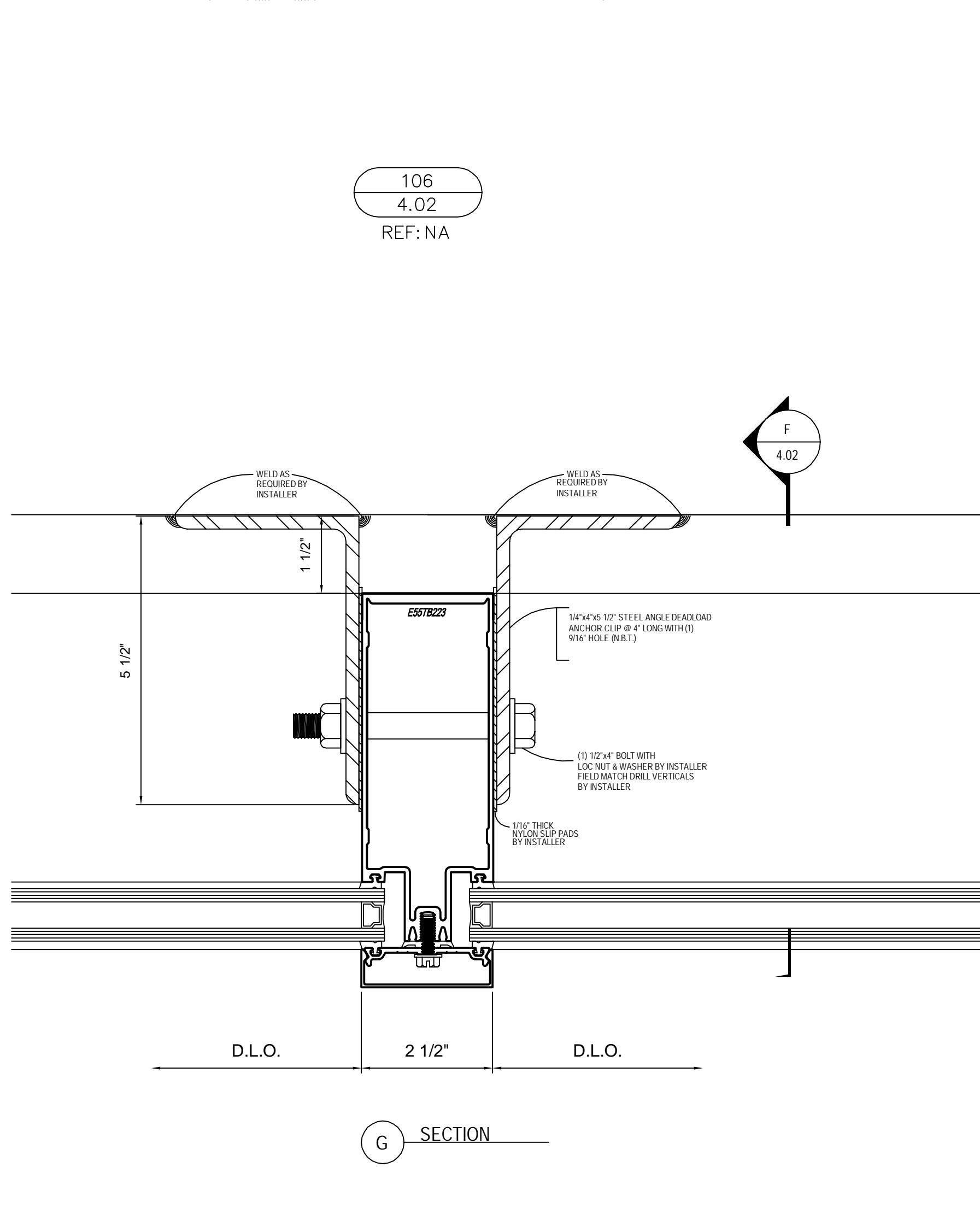
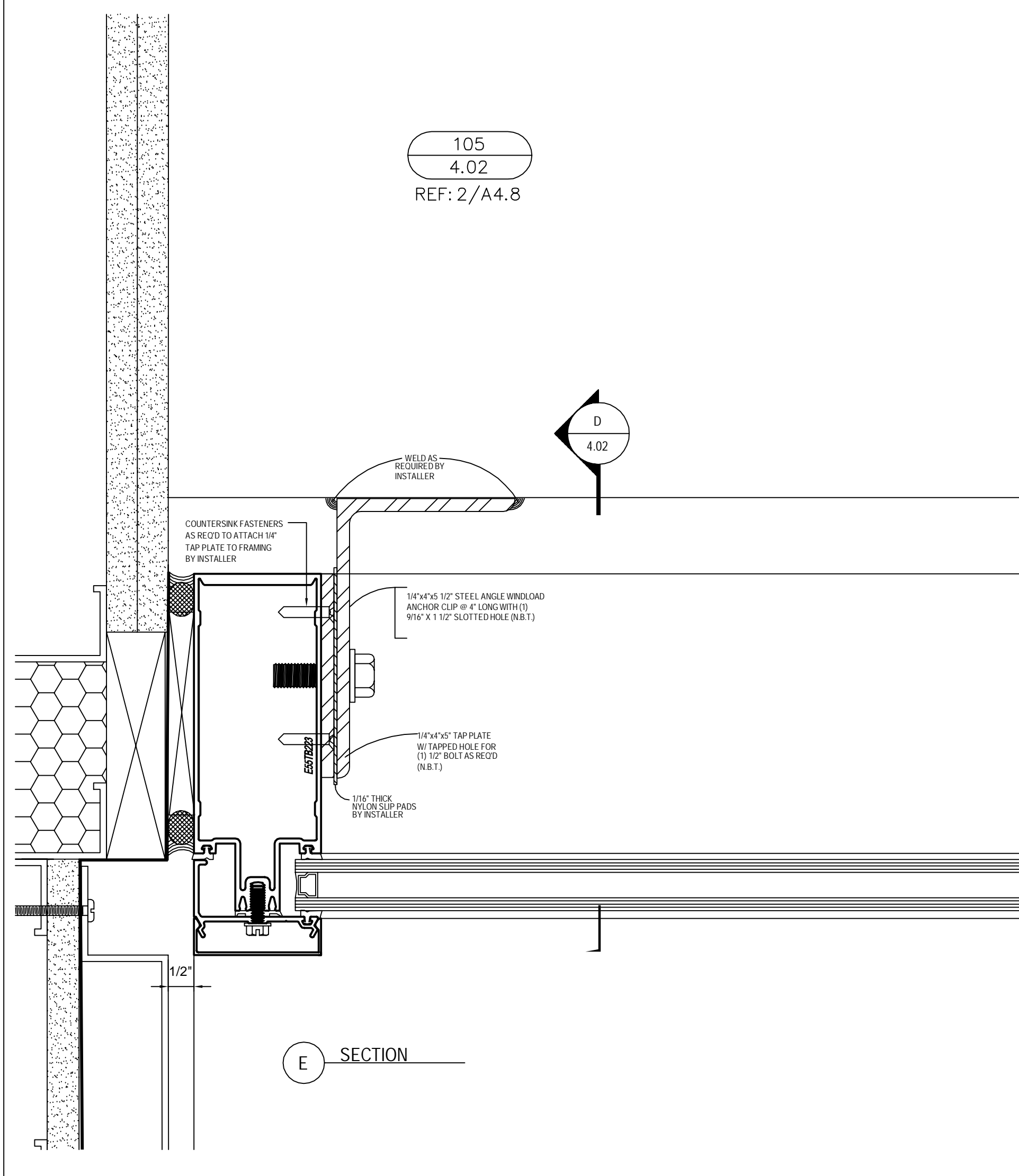
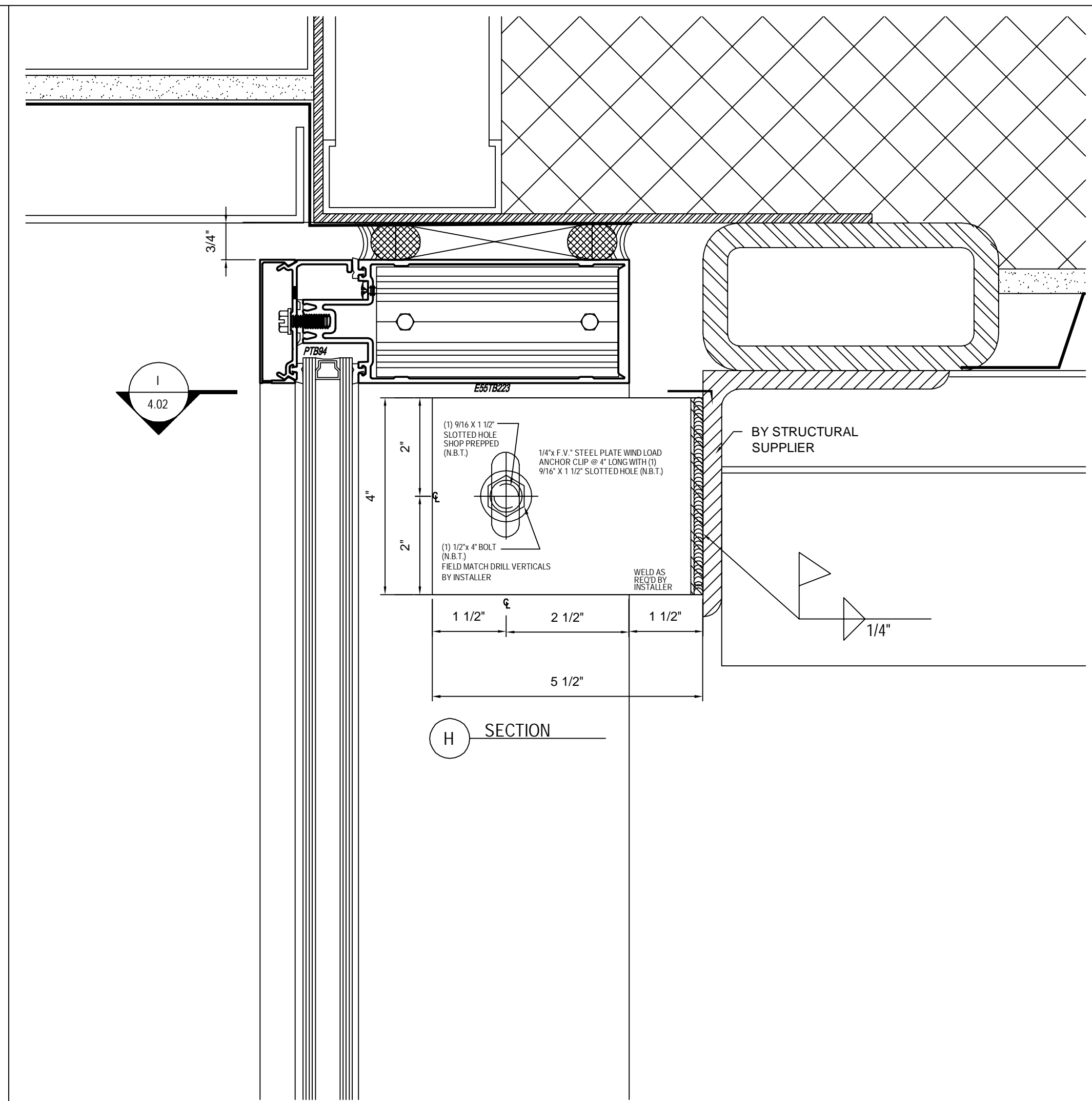
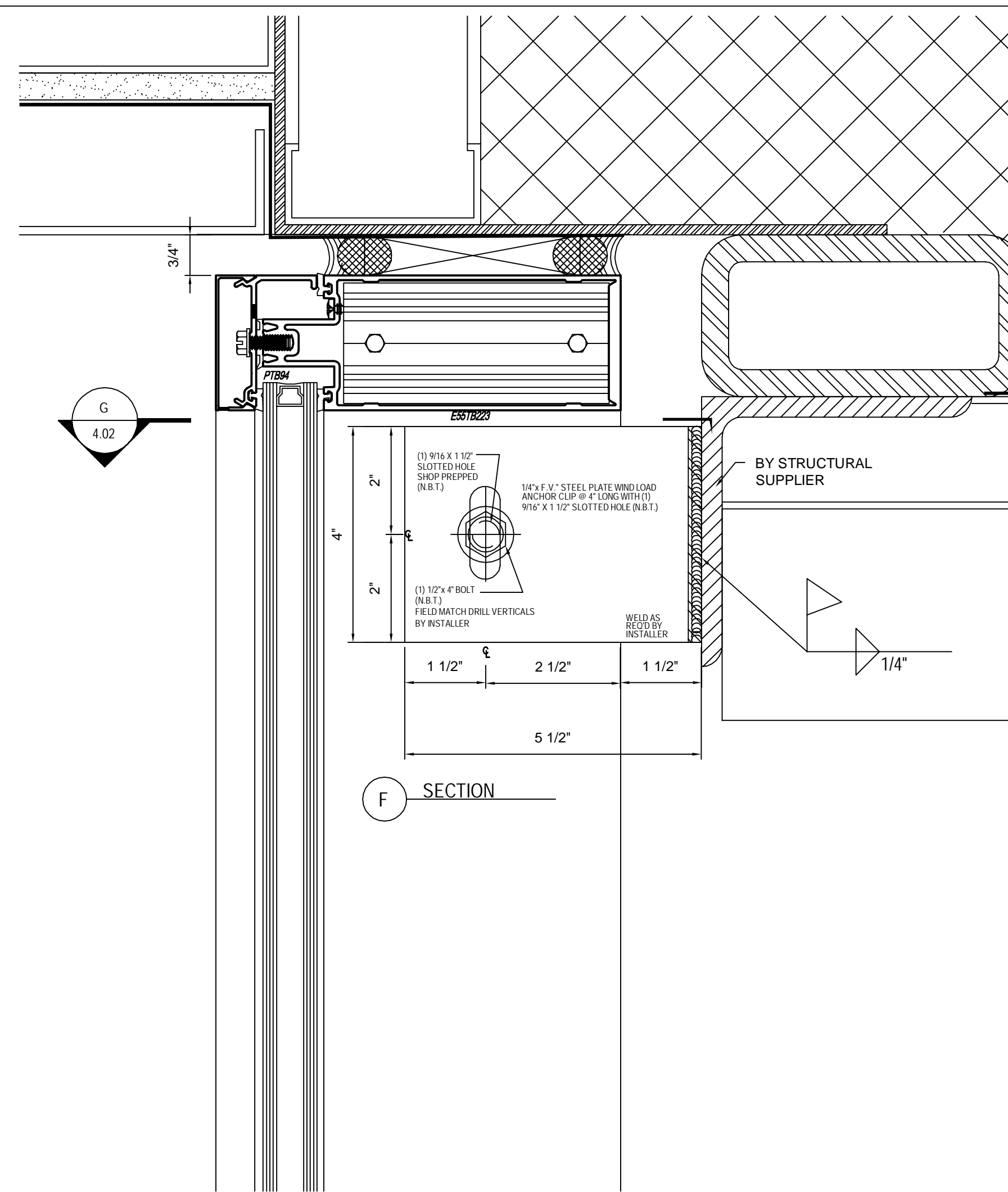
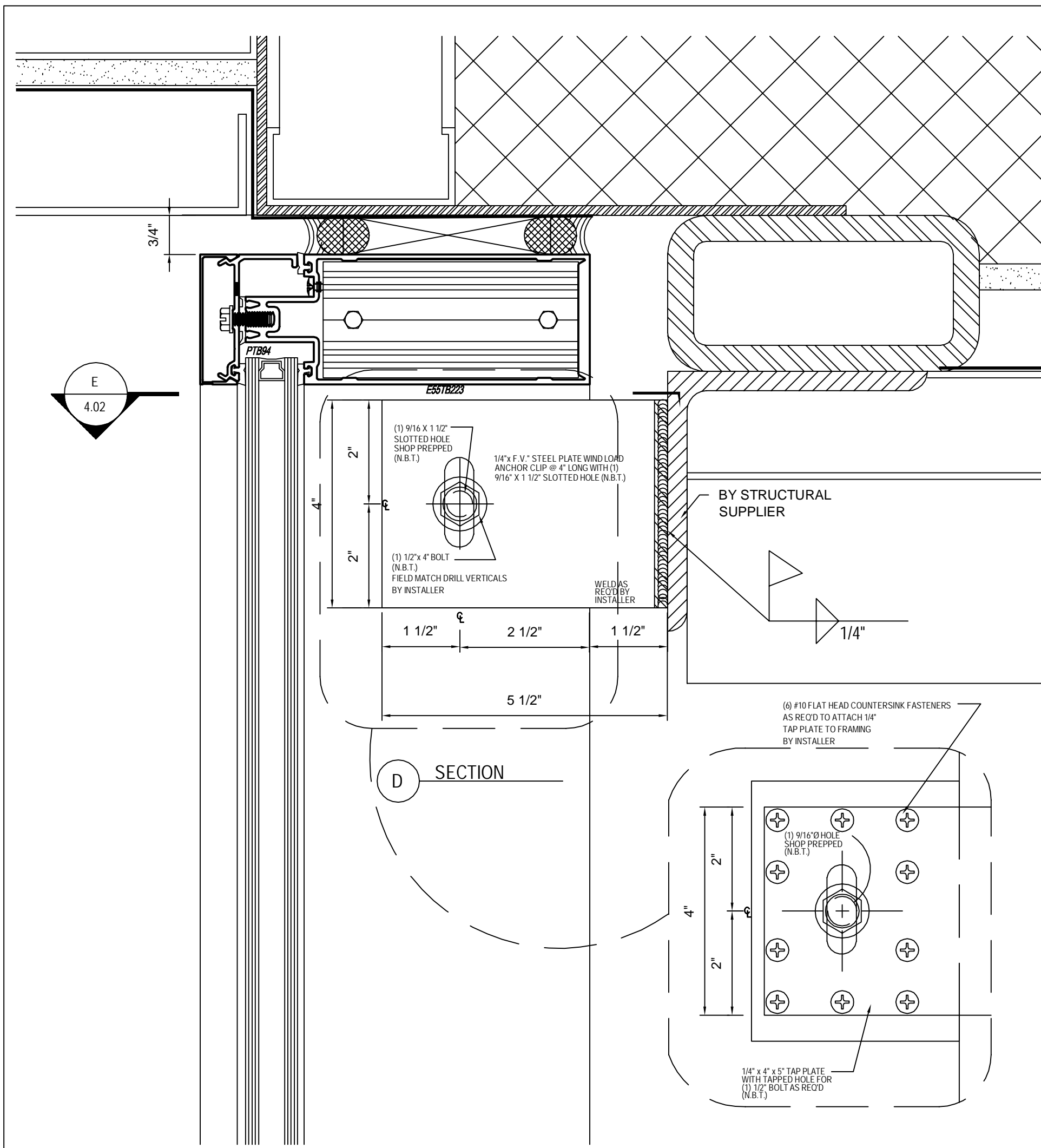
PROJECT INFORMATION
PROJECT ADDRESS
CUSTOMER NAME
CUSTOMER ADDRESS

PROJECT:	DATE:
DRAWN BY:	DATE:
CHECKED BY:	DATE:
JOB NAME:	DATE:
SHEET NO.:	DATE:

4.01

NO.	DESCRIPTION	DATE
1ST. REVISION		1/10/12
1ST. SUBMISSION (ENGINEERING CALCS)		11/7/11
1ST. SUBMISSION		9/6/11

DRAWING SUBMISSION



NO	DESCRIPTION	DATE
1ST. REVISION		1/10/12
1ST. SUBMISSION (ENGINEERING CALCS)		11/7/11
1ST. SUBMISSION		9/6/11

TUBELITE®
 STOREFRONTS & ENTRANCES
 3056 WALKER RIDGE DRIVE, NW, SUITE G
 WALKER, MICHIGAN 49544
 800-866-2227 PHONE
 www.tubeliteinc.com

PROJECT:	PROJECT INFORMATION
DRAWN BY:	PROJECT ADDRESS
CHECKED BY:	CUSTOMER NAME
JOB NAME:	CUSTOMER ADDRESS
SHEET NO.:	4.02

DATE: 9/6/11

DATE: 9/6/11

DATE: 9/6/11

DATE: 9/6/11

DATE: 9/6/11

DATE: 9/6/11

DATE: 9/6/11

DATE: 9/6/11

DATE: 9/6/11

DATE: 9/6/11

DATE: 9/6/11

DATE: 9/6/11

DATE: 9/6/11

107
4.02
REF: 3/A4.8

106
4.02
REF: NA

105
4.02
REF: 2/A4.8

DATE: 9/6/11

DATE: 9/6/11

DATE: 9/6/11

DATE: 9/6/11

DATE: 9/6/11

DATE: 9/6/11

DATE: 9/6/11

DATE: 9/6/11

DATE: 9/6/11

DATE: 9/6/11

DATE: 9/6/11

DATE: 9/6/11

DATE: 9/6/11

DATE: 9/6/11

DATE: 9/6/11

DATE: 9/6/11

DATE: 9/6/11

DATE: 9/6/11

DATE: 9/6/11

DATE: 9/6/11

DATE: 9/6/11

DATE: 9/6/11

DATE: 9/6/11

DATE: 9/6/11

DATE: 9/6/11

DATE: 9/6/11

DATE: 9/6/11

DATE: 9/6/11

DATE: 9/6/11

DATE: 9/6/11

DATE: 9/6/11

DATE: 9/6/11

DATE: 9/6/11

DATE: 9/6/11

DATE: 9/6/11

DATE: 9/6/11

DATE: 9/6/11

DATE: 9/6/11

DATE: 9/6/11

DATE: 9/6/11

DATE: 9/6/11

DATE: 9/6/11

DATE: 9/6/11

DATE: 9/6/11

DATE: 9/6/11

DATE: 9/6/11

DATE: 9/6/11

DATE: 9/6/11

DATE: 9/6/11

DATE: 9/6/11

DATE: 9/6/11

DATE: 9/6/11

DATE: 9/6/11

DATE: 9/6/11

DATE: 9/6/11

DATE: 9/6/11

DATE: 9/6/11

DATE: 9/6/11

DATE: 9/6/11

DATE: 9/6/11

DATE: 9/6/11

DATE: 9/6/11

DATE: 9/6/11

DATE: 9/6/11

DATE: 9/6/11

DATE: 9/6/11

DATE: 9/6/11

DATE: 9/6/11

DATE: 9/6/11

DATE: 9/6/11

DATE: 9/6/11

DATE: 9/6/11

DATE: 9/6/11

DATE: 9/6/11

DATE: 9/6/11

DATE: 9/6/11

DATE: 9/6/11

DATE: 9/6/11

DATE: 9/6/11

DATE: 9/6/11

DATE: 9/6/11

DATE: 9/6/11

DATE: 9/6/11

DATE: 9/6/11

DATE: 9/6/11

DATE: 9/6/11

DATE: 9/6/11

DATE: 9/6/11

DATE: 9/6/11

DATE: 9/6/11

DATE: 9/6/11

DATE: 9/6/11

DATE: 9/6/11

DATE: 9/6/11

DATE: 9/6/11

DATE: 9/6/11

DATE: 9/6/11

DATE: 9/6/11

DATE: 9/6/11

DATE: 9/6/11

DATE: 9/6/11

DATE: 9/6/11

DATE: 9/6/11

DATE: 9/6/11

DATE: 9/6/11

DATE: 9/6/11

DATE: 9/6/11

DATE: 9/6/11

DATE: 9/6/11

DATE: 9/6/11

DATE: 9/6/11

DATE: 9/6/11

DATE: 9/6/11

DATE: 9/6/11

DATE: 9/6/11

DATE: 9/6/11

DATE: 9/6/11

DATE: 9/6/11

DATE: 9/6/11

DATE: 9/6/11

DATE: 9/6/11

DATE: 9/6/11

DATE: 9/6/11

DATE: 9/6/11

DATE: 9/6/11

DATE: 9/6/11

DATE: 9/6/11

DATE: 9/6/11

DATE: 9/6/11

DATE: 9/6/11

DATE: 9/6/11

DATE: 9/6/11

DATE: 9/6/11

DATE: 9/6/11

DATE: 9/6/11

DATE: 9/6/11

DATE: 9/6/11

DATE: 9/6/11

DATE: 9/6/11

DATE: 9/6/11

DATE: 9/6/11

DATE: 9/6/11

DATE: 9/6/11

DATE: 9/6/11

DATE: 9/6/11

DATE: 9/6/11

DATE: 9/6/11

DATE: 9/6/11

DATE: 9/6/11

DATE: 9/6/11

DATE: 9/6/11

DATE: 9/6/11

DATE: 9/6/11

DATE: 9/6/11

DATE: 9/6/11

DATE: 9/6/11

DATE: 9/6/11

DATE: 9/6/11

DATE: 9/6/11

DATE: 9/6/11

DATE: 9/6/11

DATE: 9/6/11

DATE: 9/6/11

DATE: 9/6/11

DATE: 9/6/11

DATE: 9/6/11

DATE: 9/6/11

DATE: 9/6/11

DATE: 9/6/11

DATE: 9/6/11

DATE: 9/6/11

DATE: 9/6/11

DATE: 9/6/11

DATE: 9/6/11

DATE: 9/6/11

DATE: 9/6/11

DATE: 9/6/11

DATE: 9/6/11

DATE: 9/6/11

DATE: 9/6/11

DATE: 9/6/11

DATE: 9/6/11

DATE: 9/6/11

DATE: 9/6/11

DATE: 9/6/11

DATE: 9/6/11

DATE: 9/6/11

DATE: 9/6/11

DATE: 9/6/11

DATE: 9/6/11

DATE: 9/6/11

DATE: 9/6/11

DATE: 9/6/11

DATE: 9/6/11

DATE: 9/6/11

DATE: 9/6/11

DATE: 9/6/11

DATE: 9/6/11

DATE: 9/6/11

DATE: 9/6/11

DATE: 9/6/11

DATE: 9/6/11

DATE: 9/6/11

DATE: 9/6/11

DATE: 9/6/11

DATE: 9/6/11

DATE: 9/6/11

DATE: 9/6/11

DATE: 9/6/11

DATE: 9/6/11

DATE: 9/6/11

DATE: 9/6/11

DATE: 9/6/11

DATE: 9/6/11

DATE: 9/6/11

DATE: 9/6/11

DATE: 9/6/11

DATE: 9/6/11

DATE: 9/6/11

DATE: 9/6/11

DATE: 9/6/11

DATE: 9/6/11

DATE: 9/6/11

DATE: 9/6/11

DATE: 9/6/11

DATE: 9/6/11

DATE: 9/6/11

DATE: 9/6/11

DATE: 9/6/11

DATE: 9/6/11

DATE: 9/6/11

DATE: 9/6/11

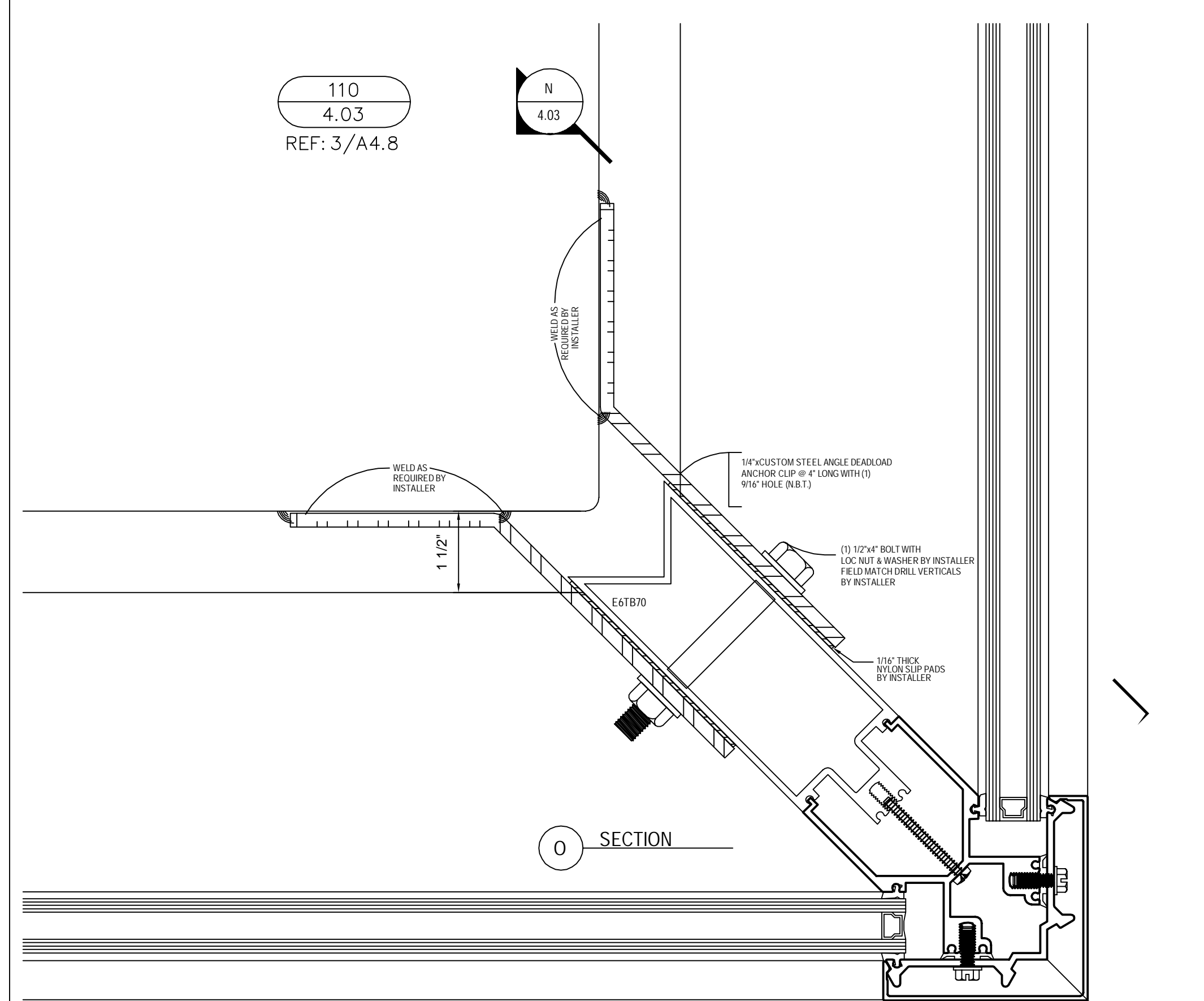
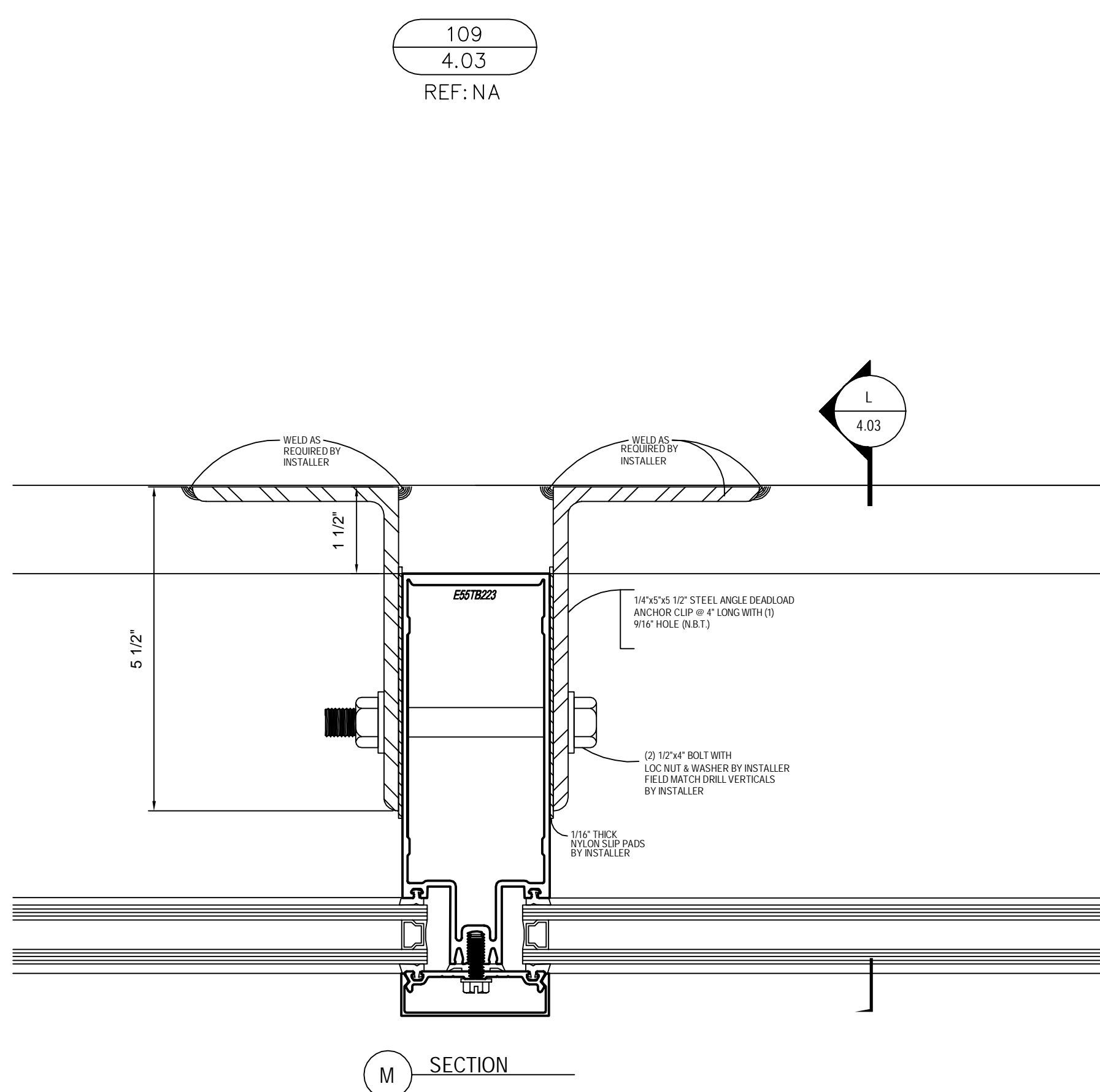
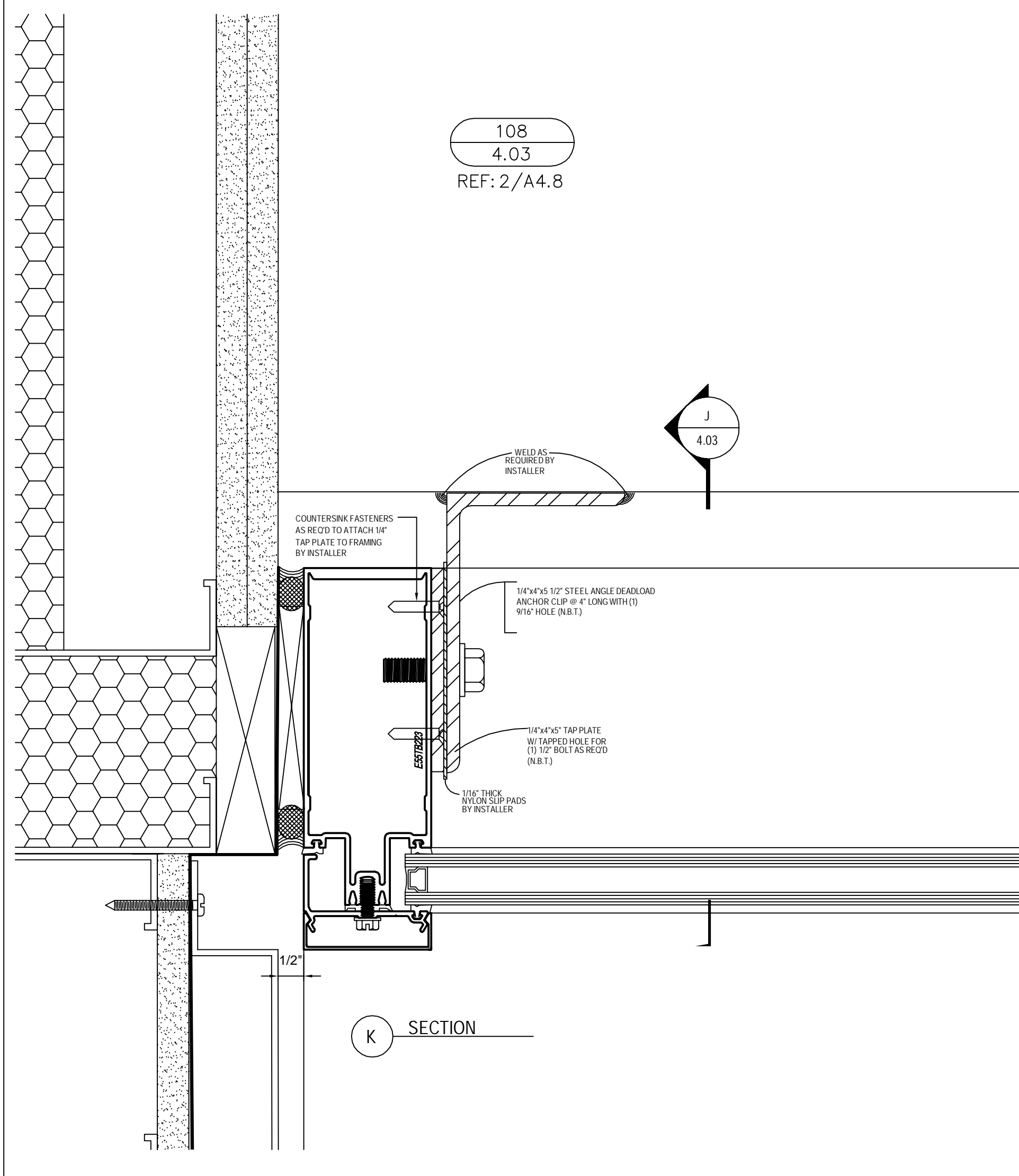
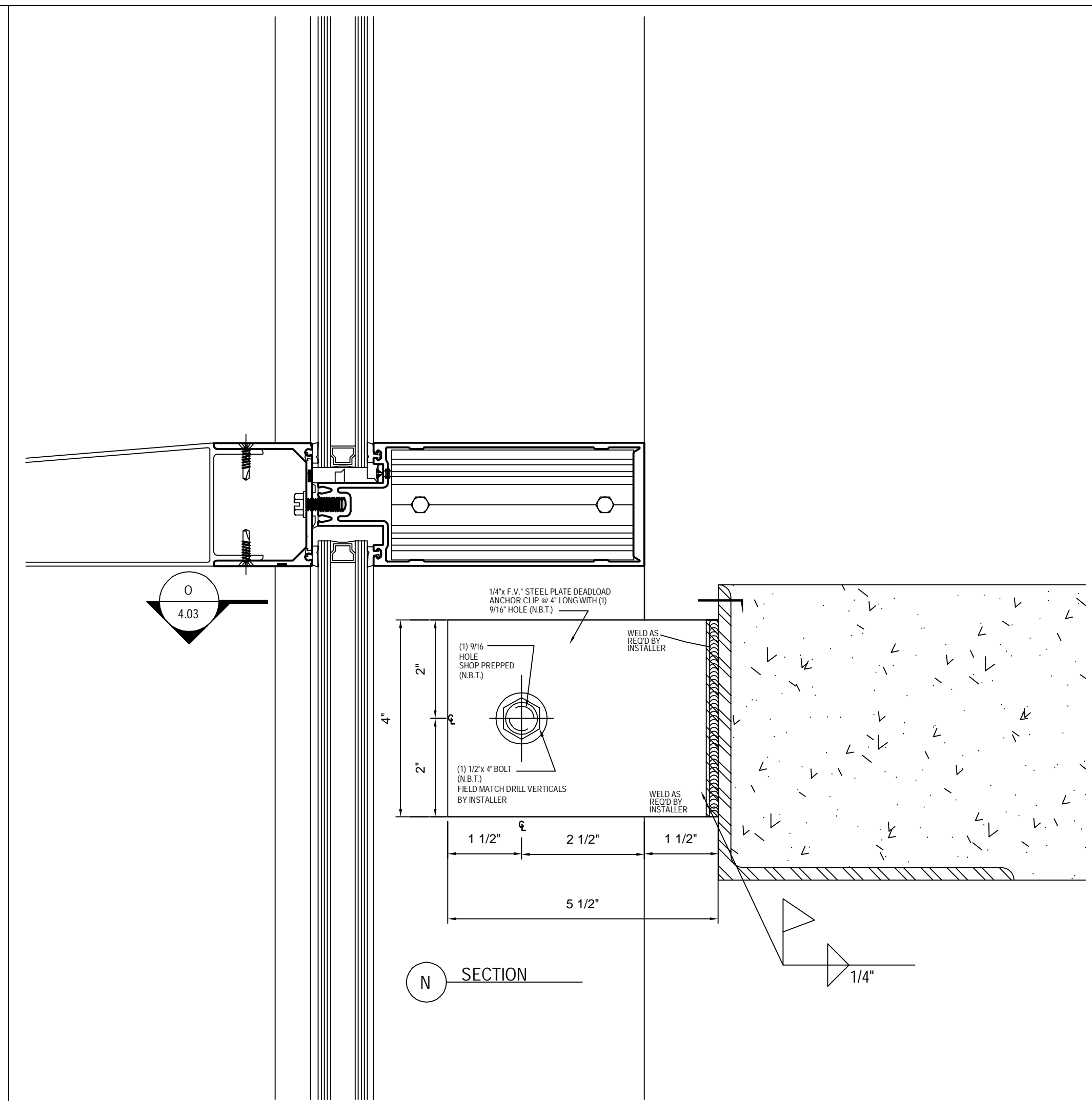
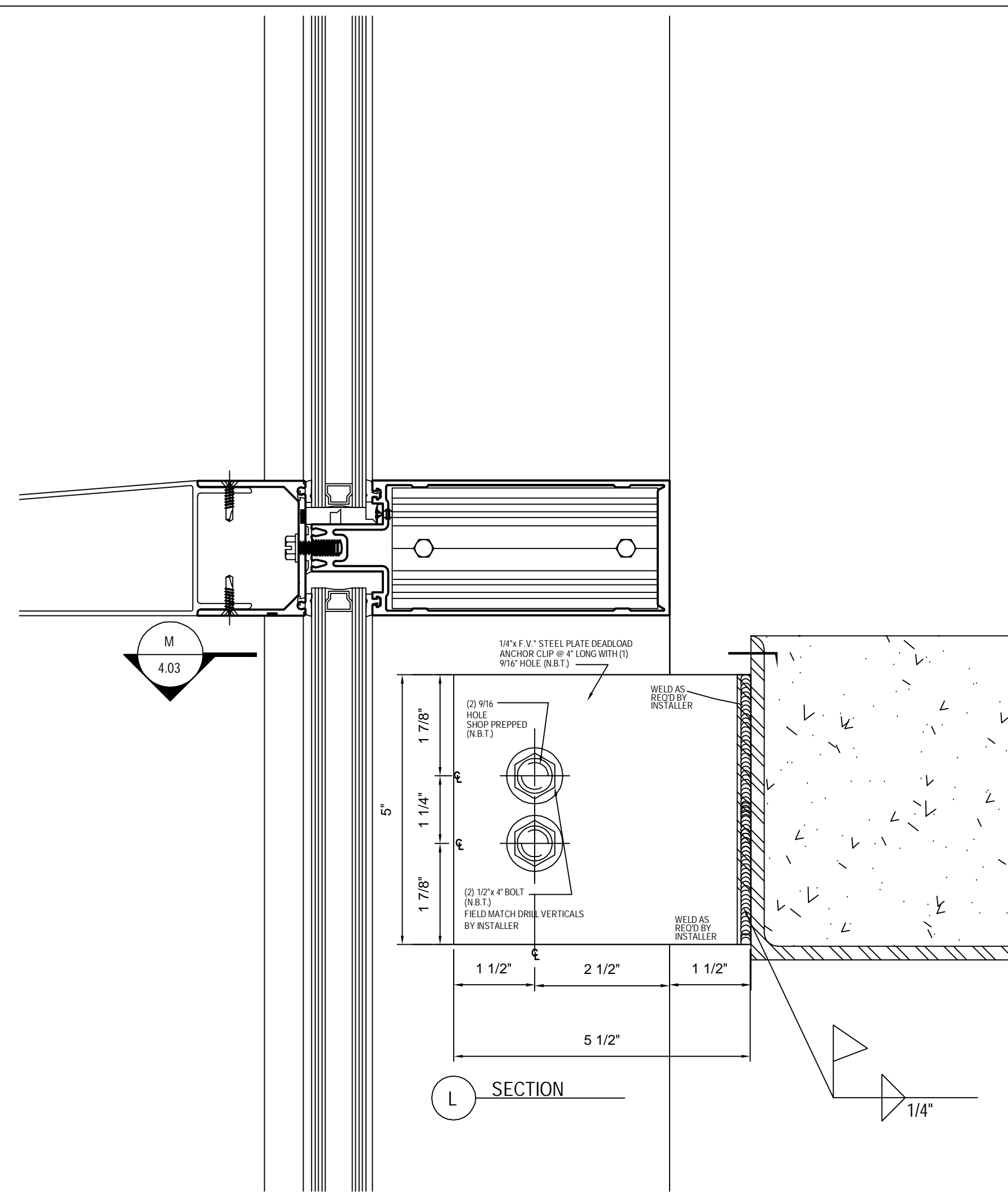
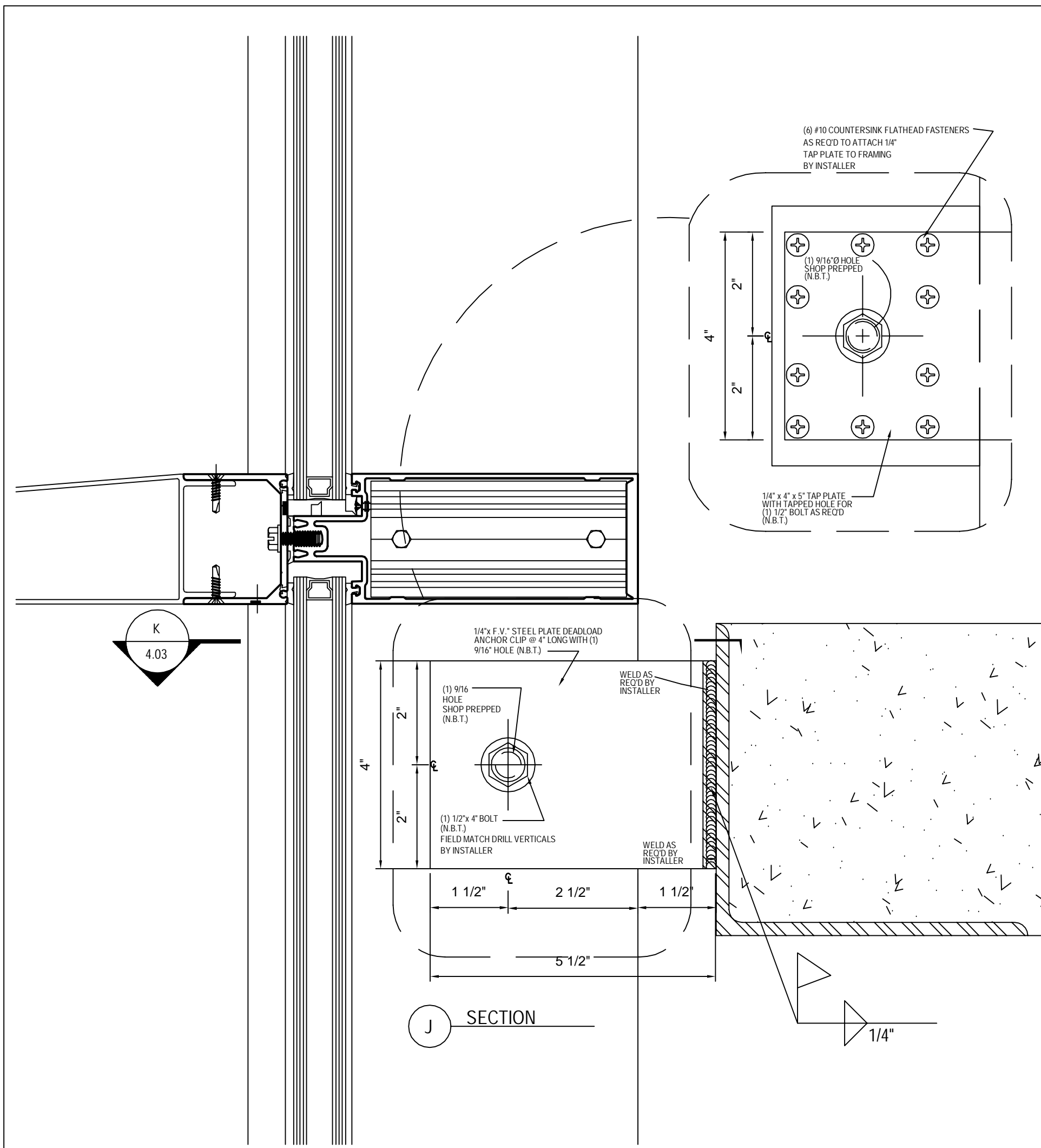
DATE: 9/6/11

DATE: 9/6/11

DATE: 9/6/11

DATE: 9/6/11

DATE: 9/6/11



108
4.03
REF: 2/A4.8

109
4.03
REF: NA

110
4.03
REF: 3/A4.8

NO	DESCRIPTION	DATE
1ST. SUBMISSION	11/7/11	9/6/11
1ST. REVISION	11/7/11	1/10/12

TUBELITE[®]
STOREFRONTS & ENTRANCES

DEPENDABLE

3056 WALKER RIDGE DRIVE, NW, SUITE G
WALKER, MICHIGAN 49544
800-866-2227 PHONE
www.tubeliteinc.com



PROJECT INFORMATION
PROJECT ADDRESS

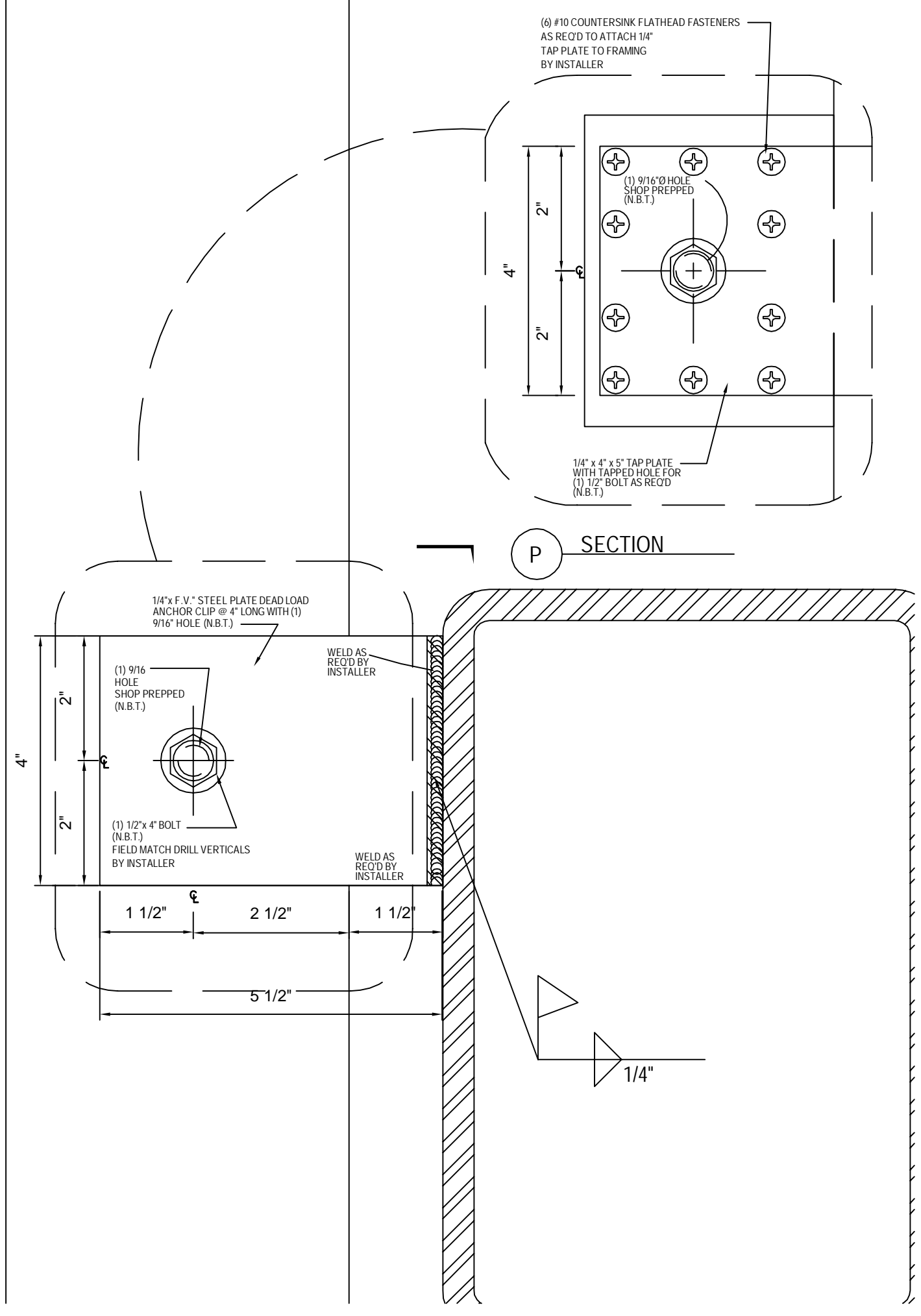
CUSTOMER NAME
CUSTOMER ADDRESS

PROJECT:	VC SUMMER NUCLEAR
DRAWN BY:	CW
CHECKED BY:	JR
DATE:	9/6/11

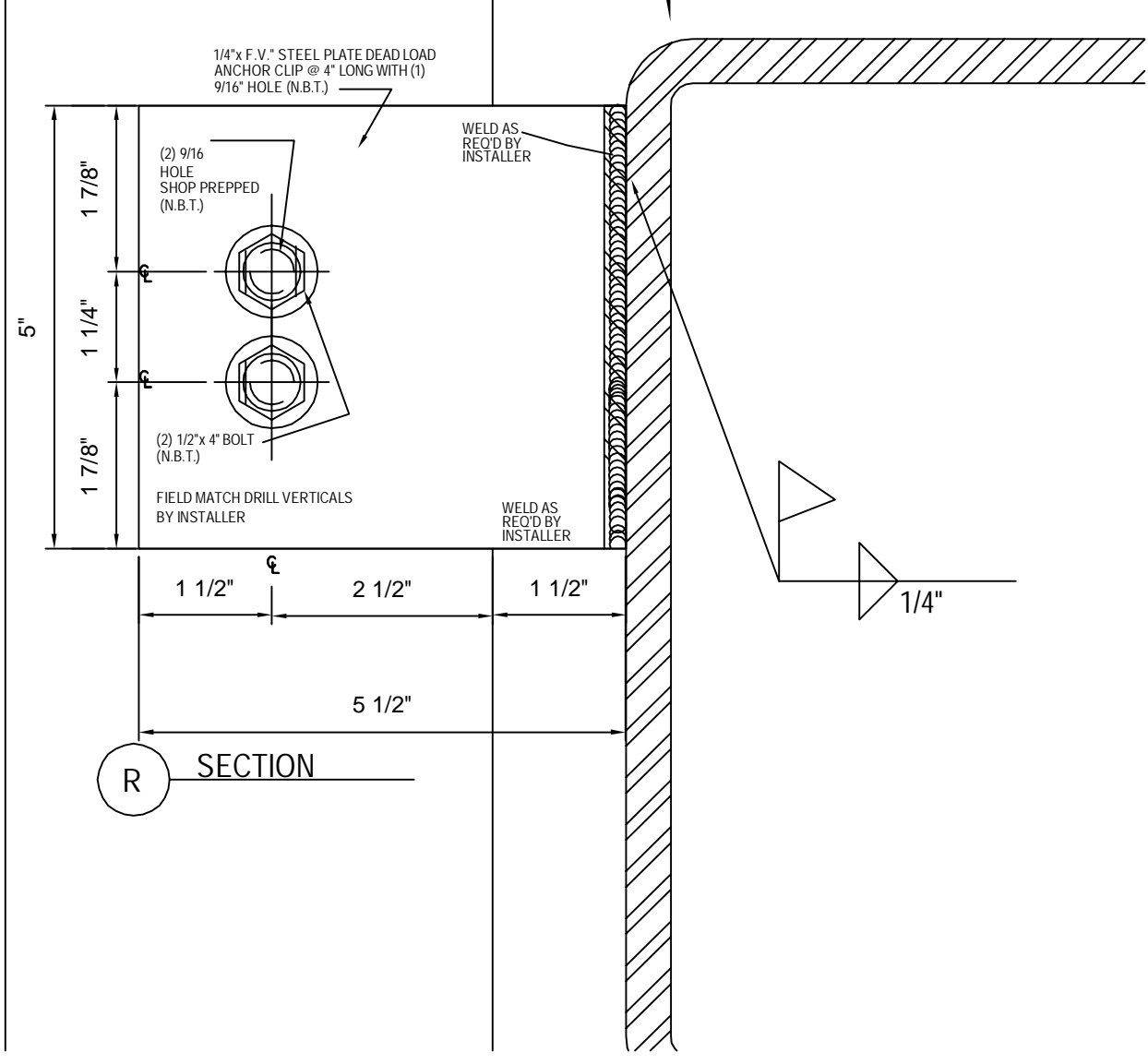
SHEET NO.: 4.03

DRAWING SUBMISSION

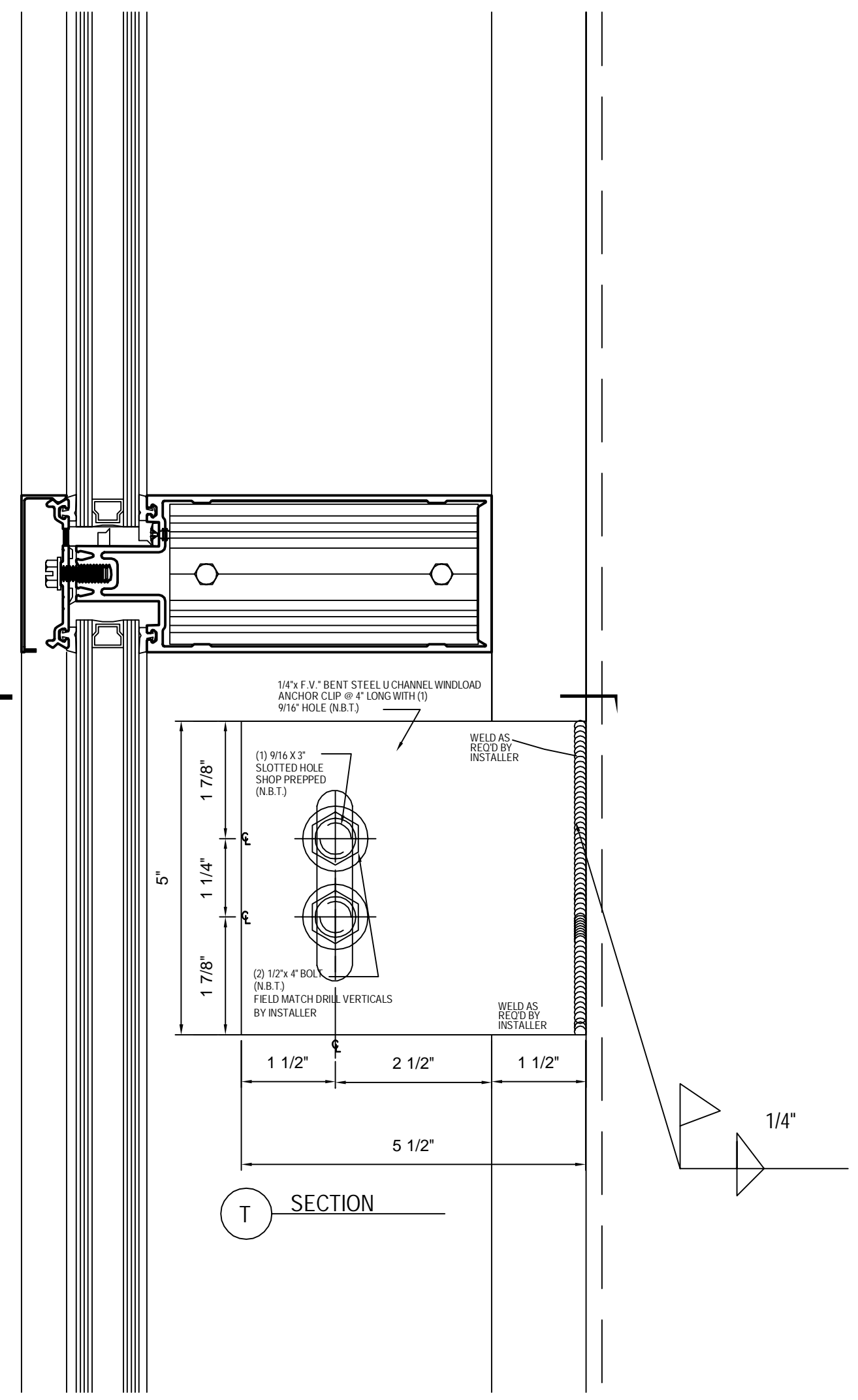
Q
4.04



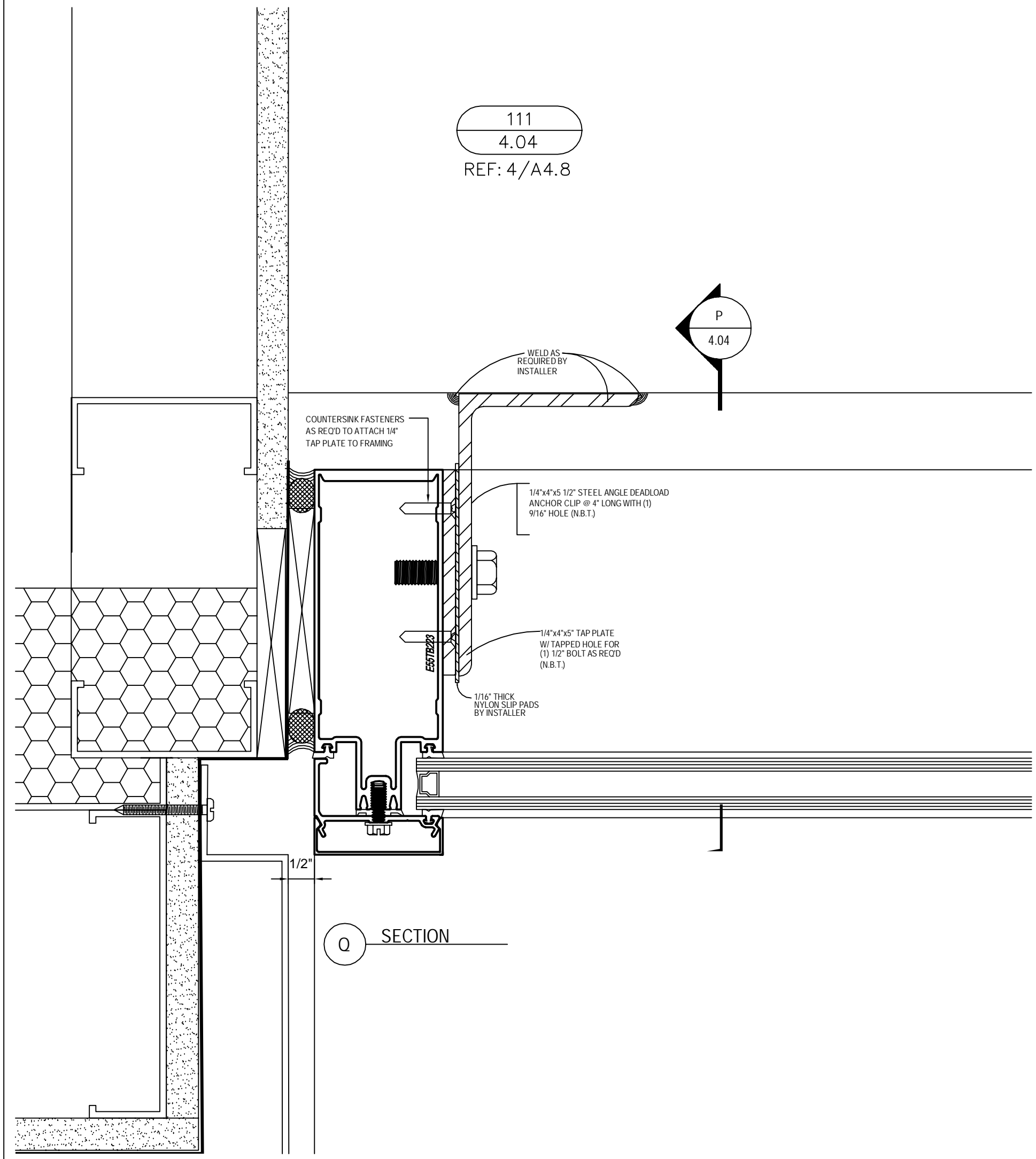
S
4.04



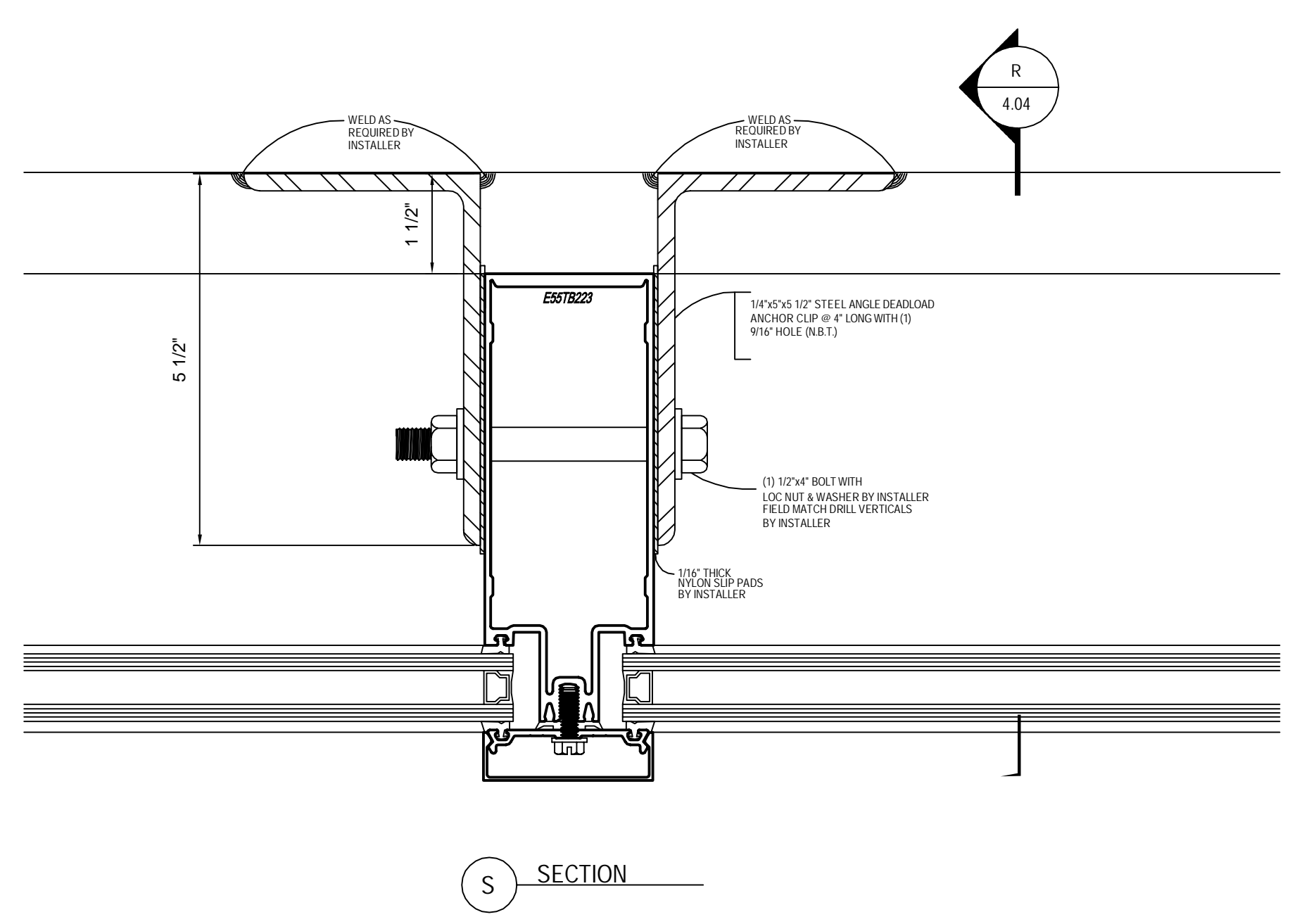
U
4.04



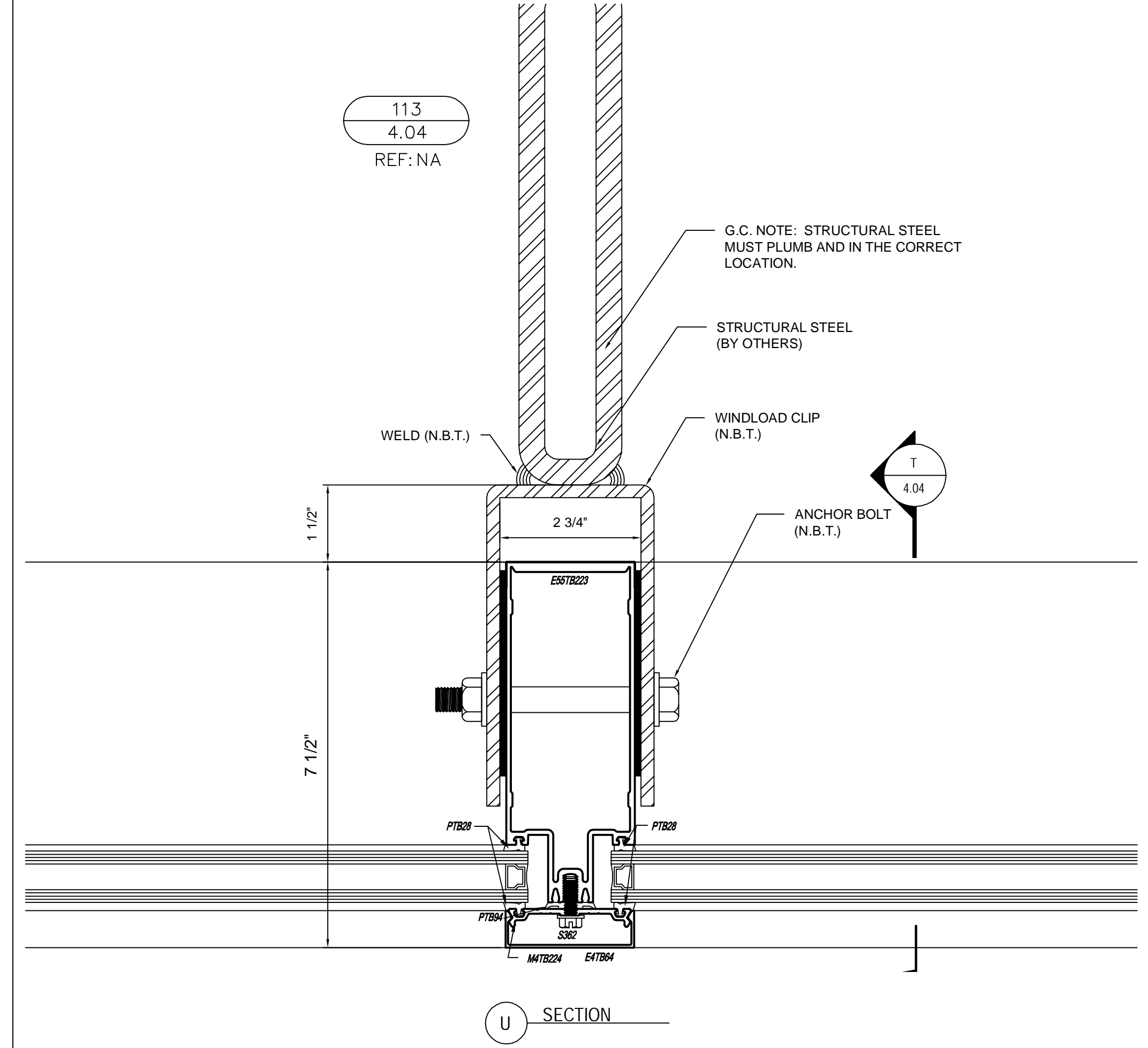
111
4.04
REF: 4/A4.8



112
4.04
REF: NA



113
4.04
REF: NA



NO	DESCRIPTION	DATE
1ST. SUBMISSION	11/7/11	9/6/11
1ST. REVISION	11/7/11	1/10/12

TUBELITE®
 STOREFRONTS & ENTRANCES
DEPENDABLE
 3056 WALKER RIDGE DRIVE, NW, SUITE G
 WALKER, MICHIGAN 49544
 800-866-2227 PHONE
 www.tubeliteinc.com

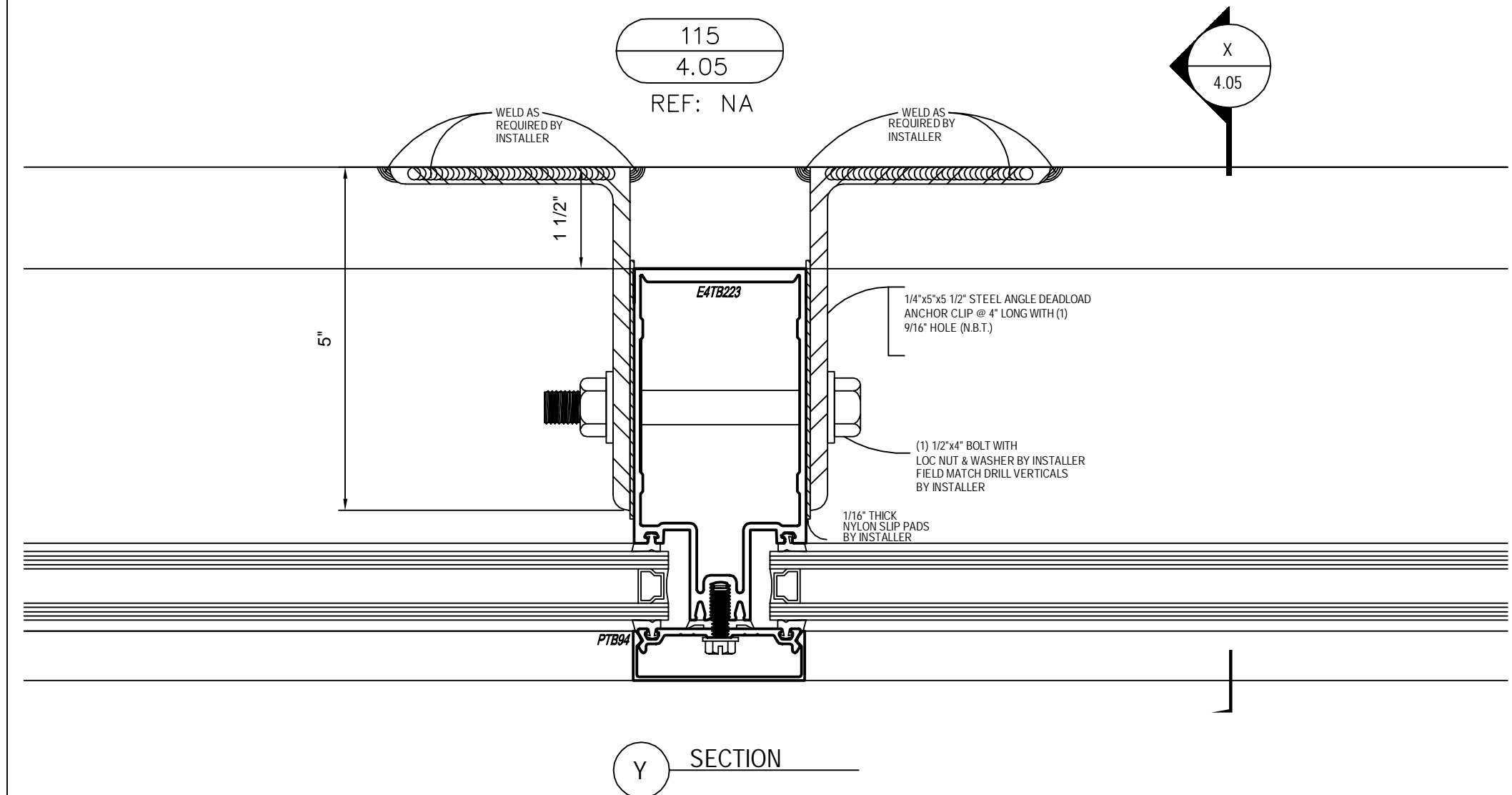
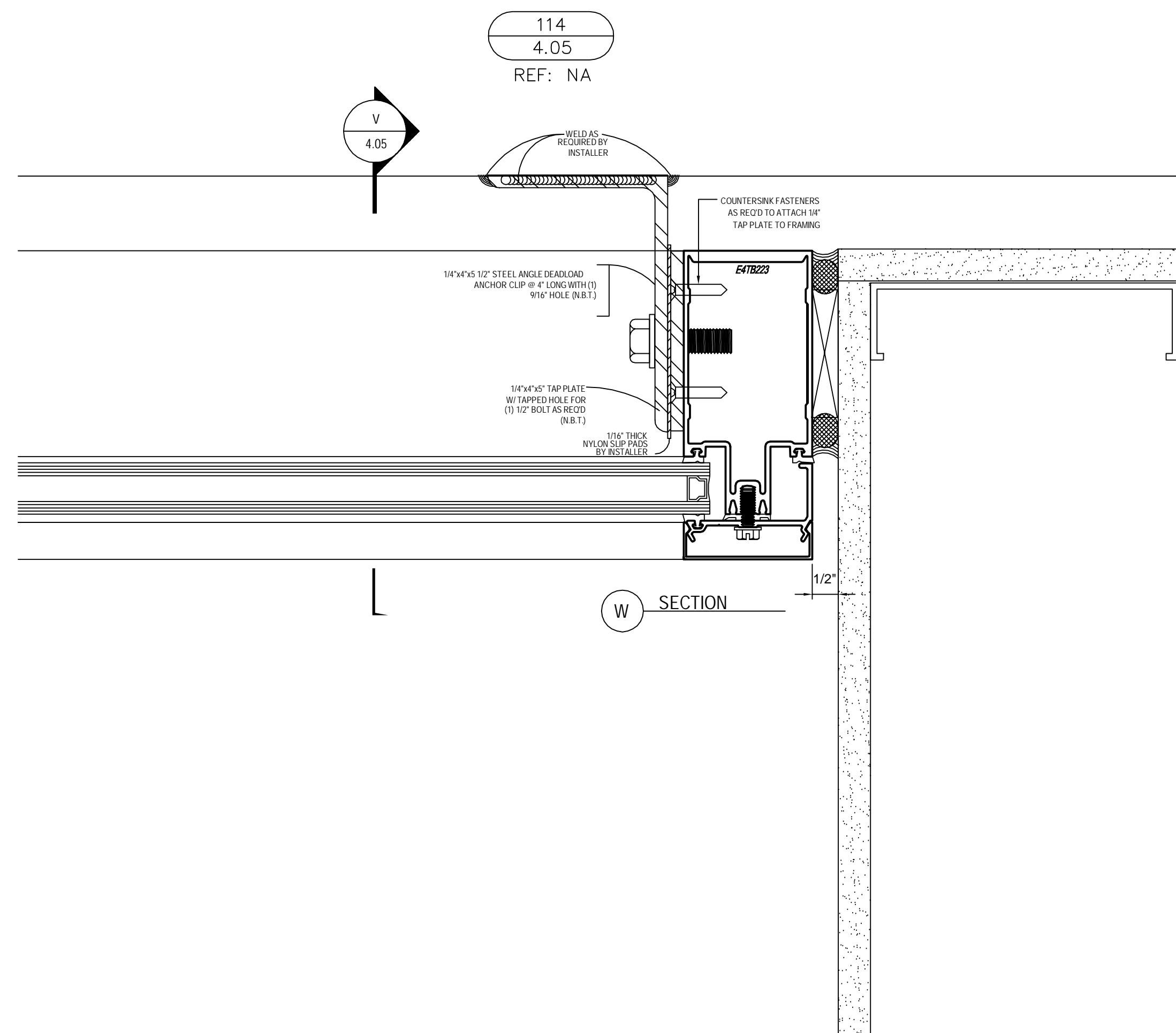
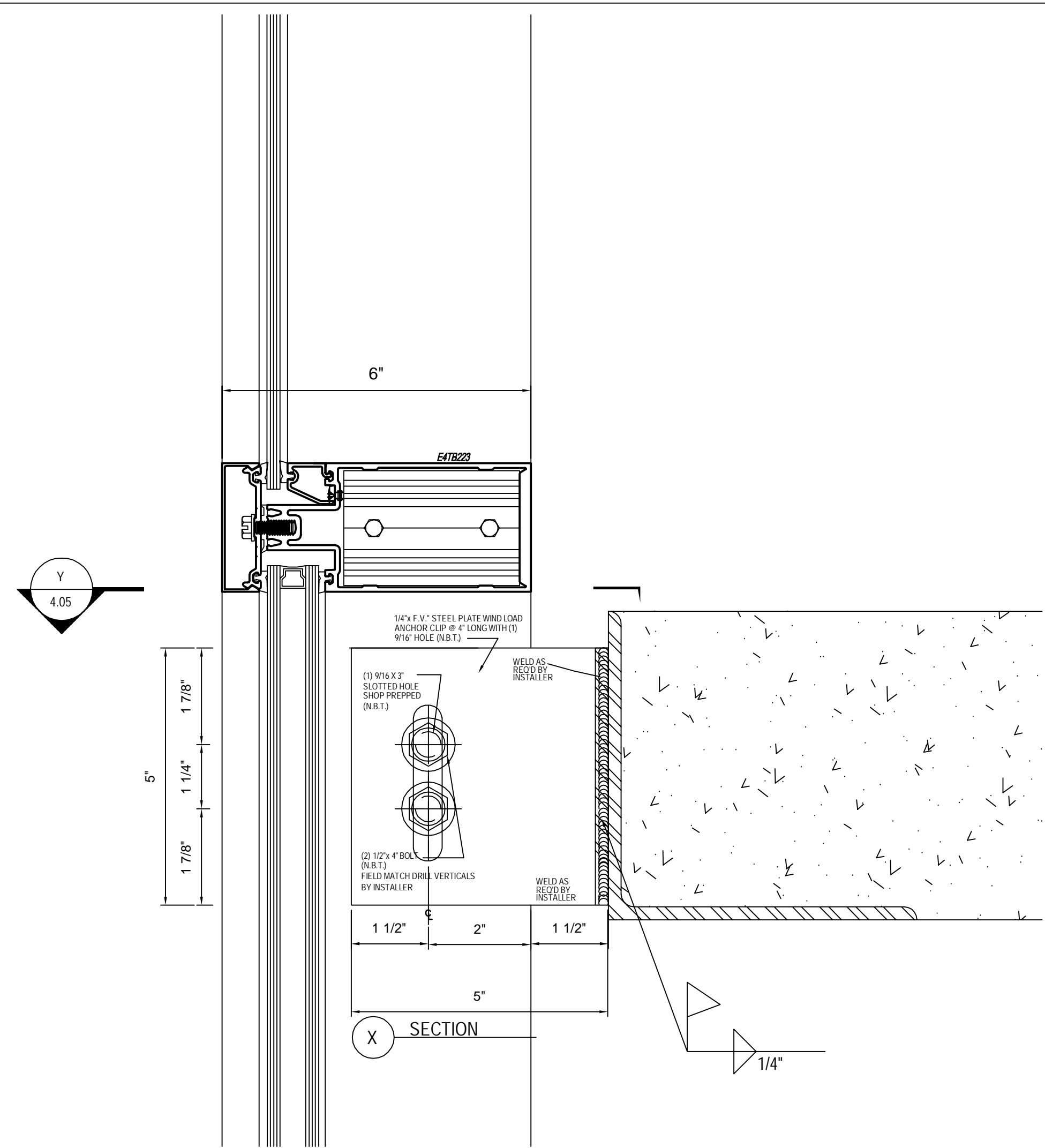
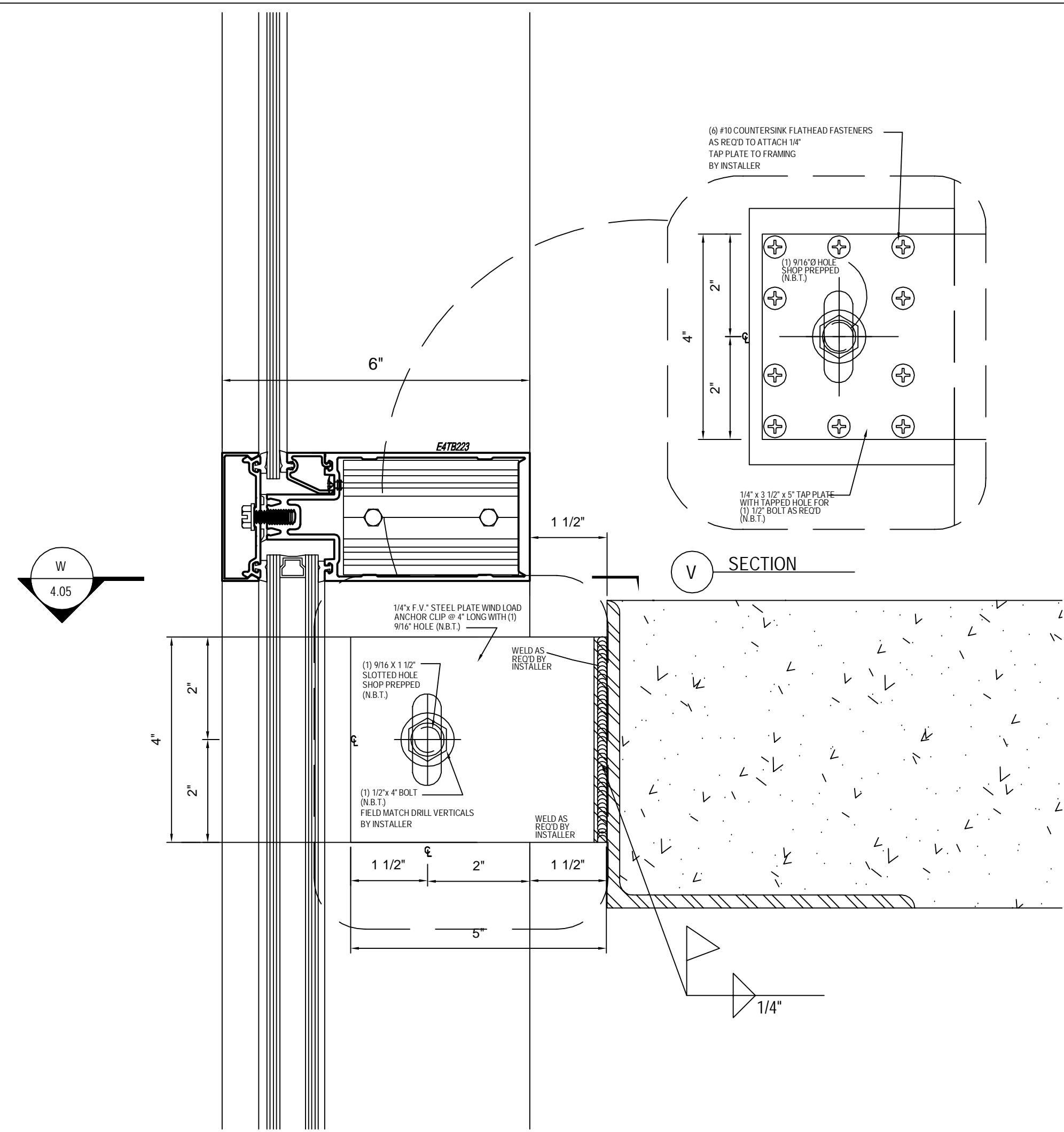


PROJECT INFORMATION
 PROJECT ADDRESS

CUSTOMER NAME
 CUSTOMER ADDRESS

PROJECT:	VC SUMMER NUCLEAR
DRAWN BY:	CW
CHECKED BY:	JR
DATE:	9/6/11
SHEET NO.:	4.04

DRAWING SUBMISSION



NO	DESCRIPTION	DATE
1	1ST. SUBMISSION	9/6/11
2	1ST. SUBMISSION (ENGINEERING CALCS)	11/7/11
3	1ST. REVISION	1/10/12

TUBELITE[®] **DEPENDABLE**
 STOREFRONTS & ENTRANCES
 3056 WALKER RIDGE DRIVE, NW, SUITE G
 WALKER, MICHIGAN 49544
 800-866-2227 PHONE
 www.tubeliteinc.com

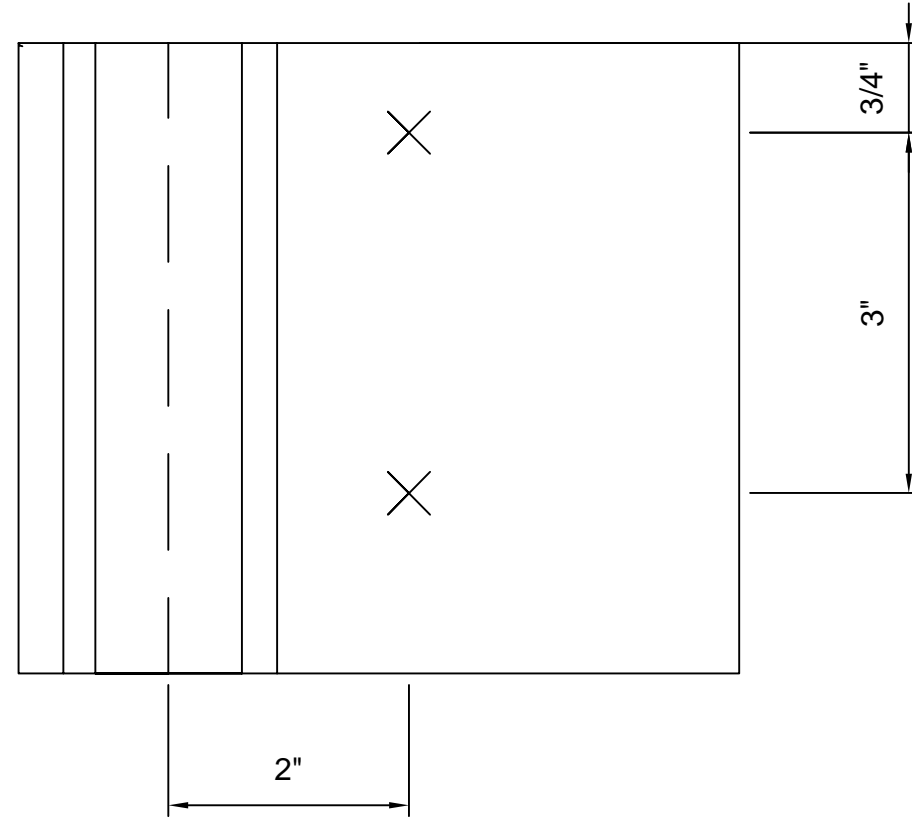


PROJECT INFORMATION	
PROJECT ADDRESS	
SUB CONTRACTOR/INSTALLER	
CUSTOMER NAME	CUSTOMER ADDRESS
JOB NAME: VC SUMMER NUCLEAR	
SHEET NO.: 4.05	

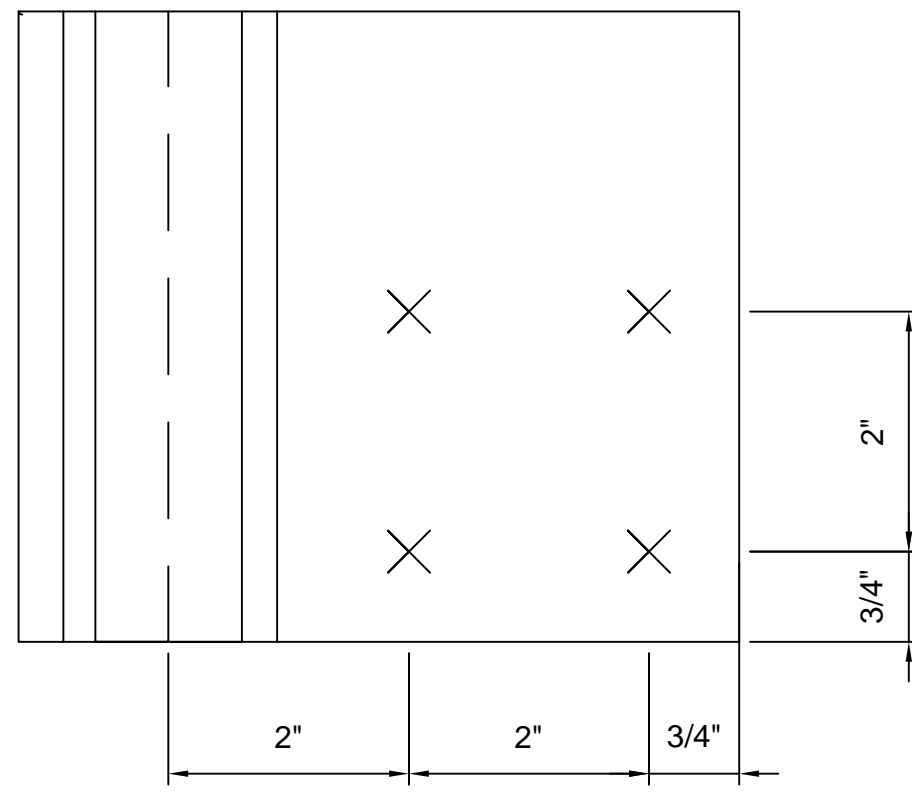
DRAWN BY: CW	DATE: 9/6/11
CHECKED BY: JR	DATE: 9/6/11

DRAWING SUBMISSION

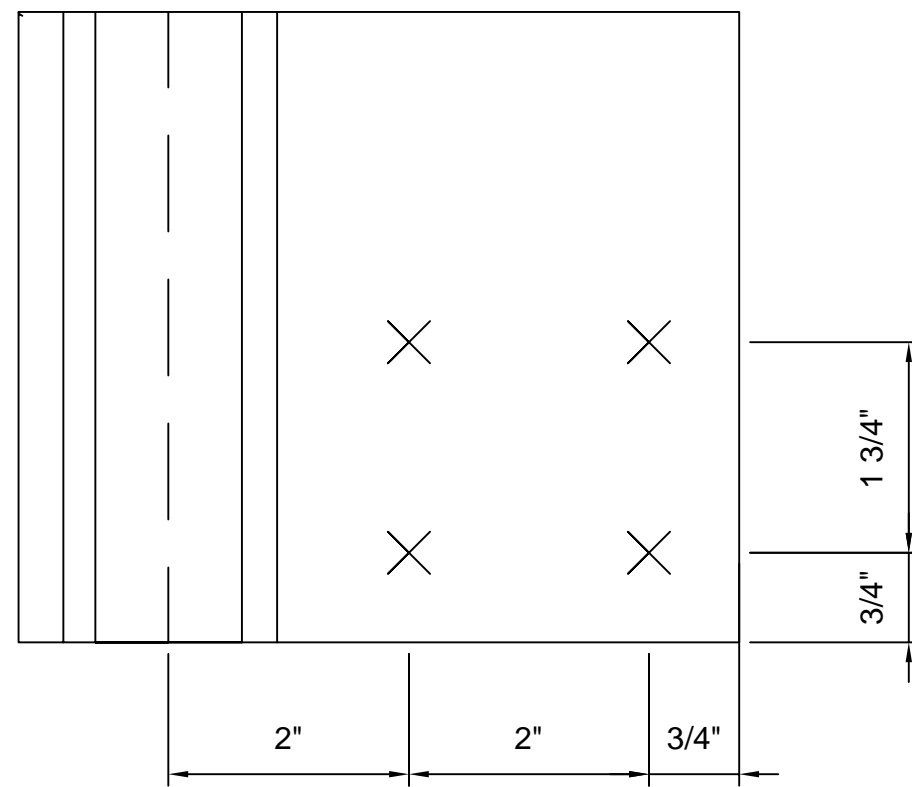
"F" CLIP LAY OUT
DETAILS 7/3.02, 8/3.02 & 23/3.05



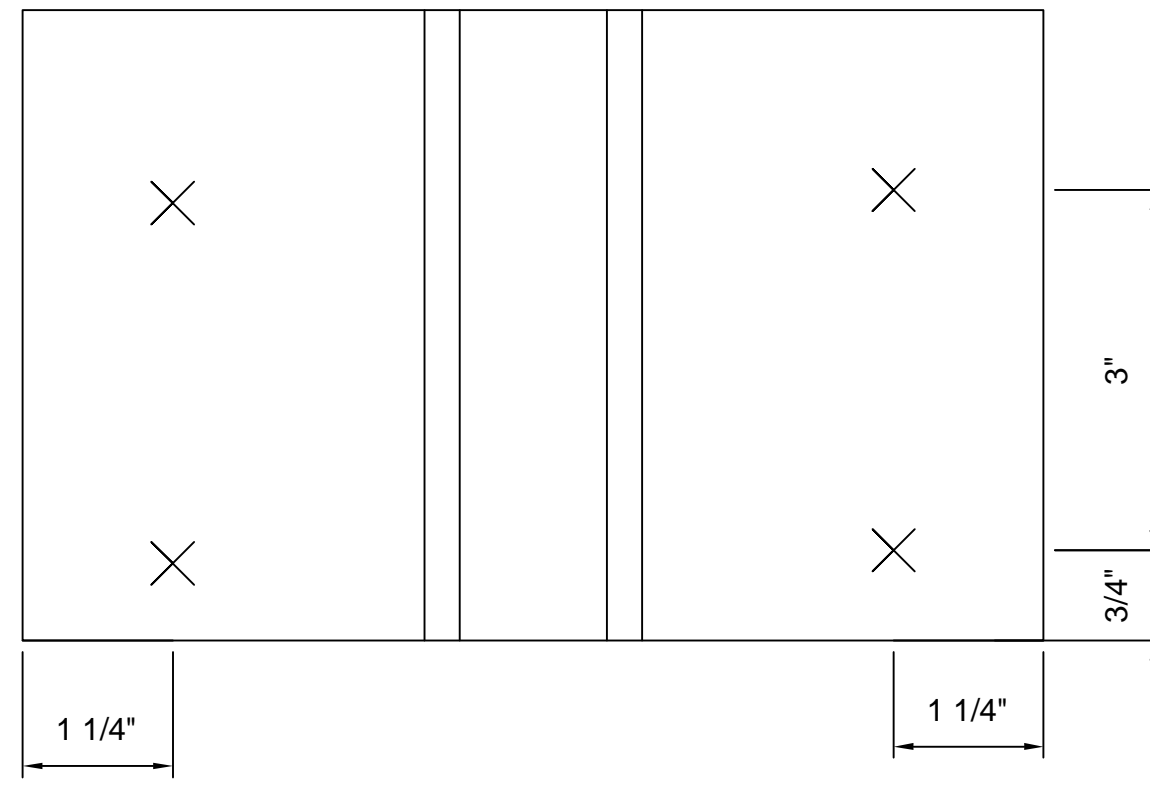
"F" CLIP LAY OUT
DETAILS 12/3.03, 14/3.03, 16/3.03 & 24/3.05



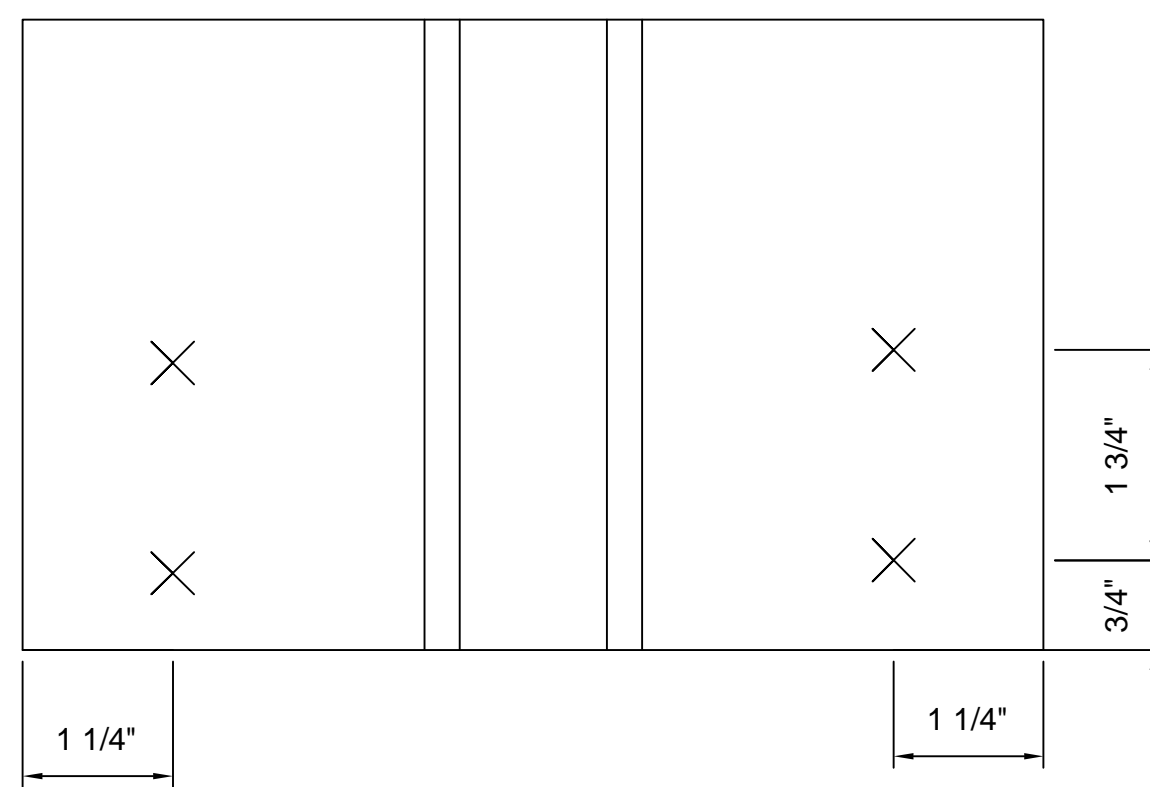
"F" CLIP LAY OUT
DETAILS 17/3.04, 18/3.04, 19A/3.04 & 19C/3.04



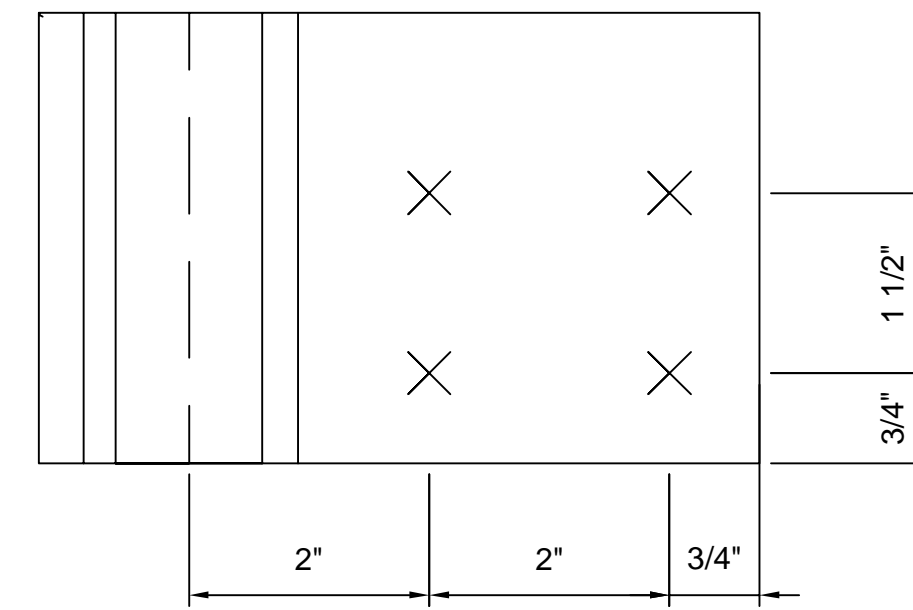
"T" CLIP LAY OUT
DETAILS 12/3.03, 14/3.03, 16/3.03 & 24/3.05



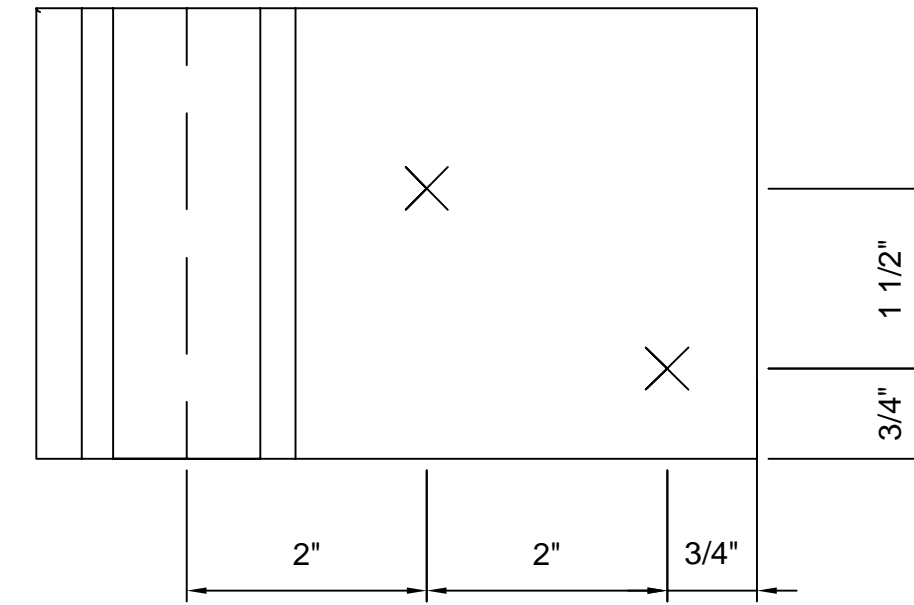
"T" CLIP LAY OUT
DETAILS 17/3.04, 18/3.04, 19A/3.04 & 19C/3.04



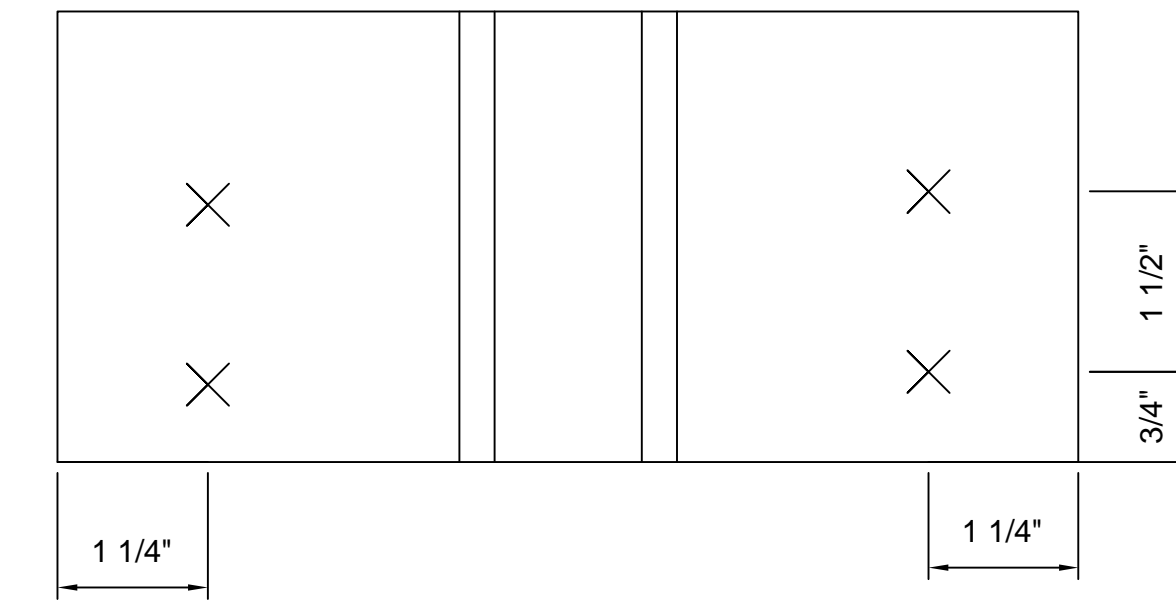
"F" CLIP LAY OUT
DETAILS 27/3.05 & 30/3.05



"F" CLIP LAY OUT
DETAILS 27/3.05 & 30/3.05



"T" CLIP LAY OUT
DETAILS 25/3.05, 27/3.05, 28/3.05, 30/3.05 & 31/3.06



TUBELITE[®] **DEPENDABLE**
STOREFRONTS & ENTRANCES
3056 WALKER RIDGE DRIVE, NW, SUITE G
WALKER, MICHIGAN 49544
800-866-2227 PHONE
www.tubeliteinc.com



PROJECT INFORMATION
PROJECT ADDRESS

CUSTOMER NAME
CUSTOMER ADDRESS

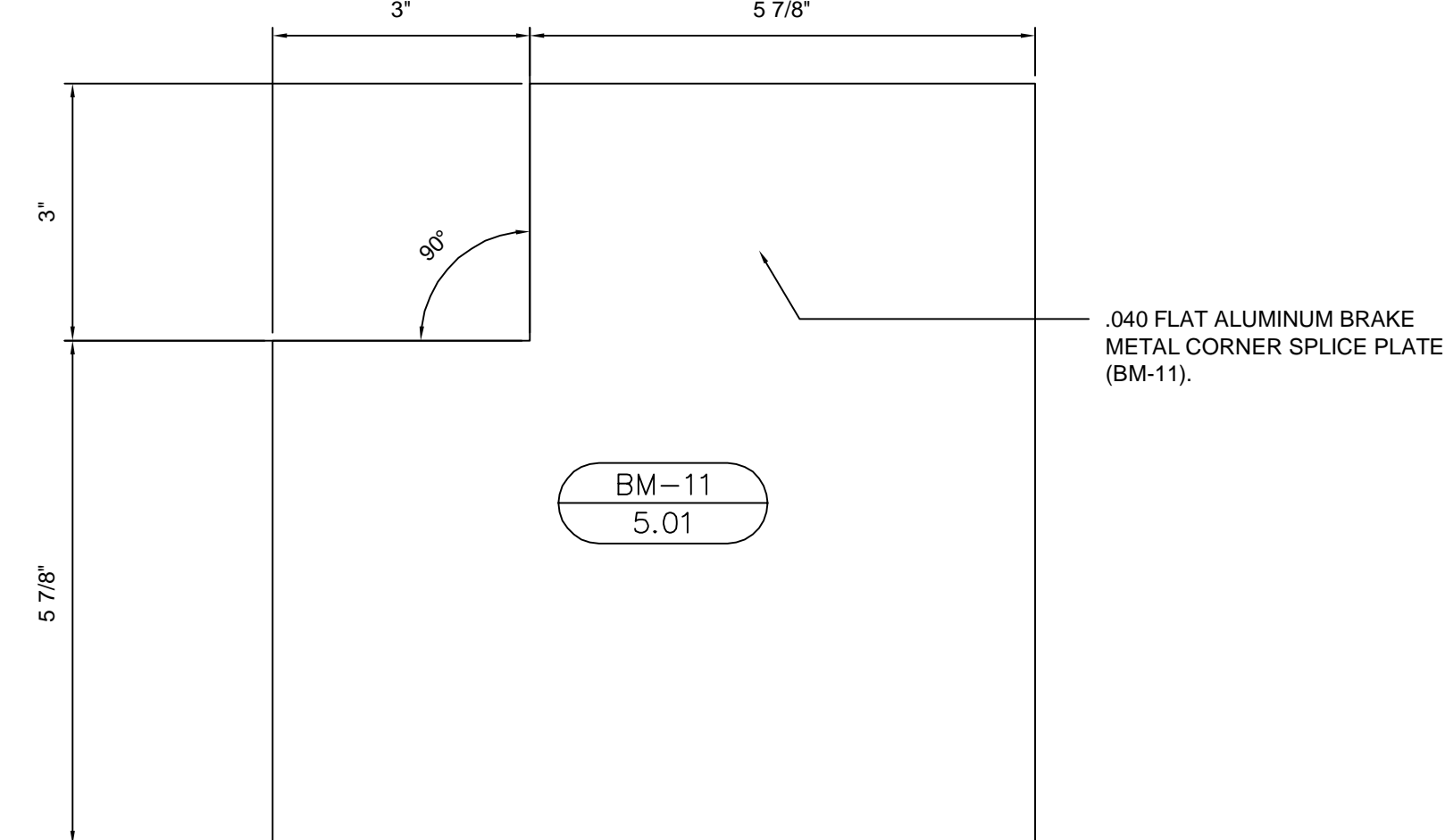
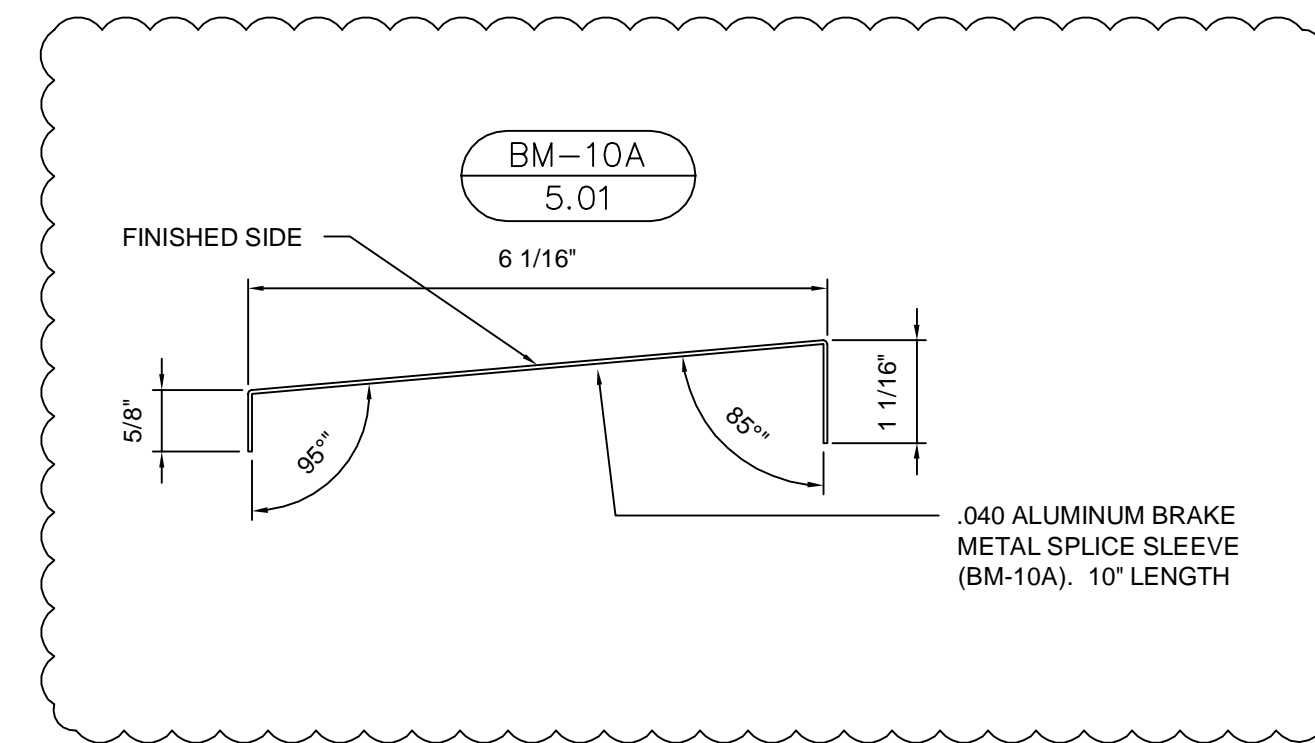
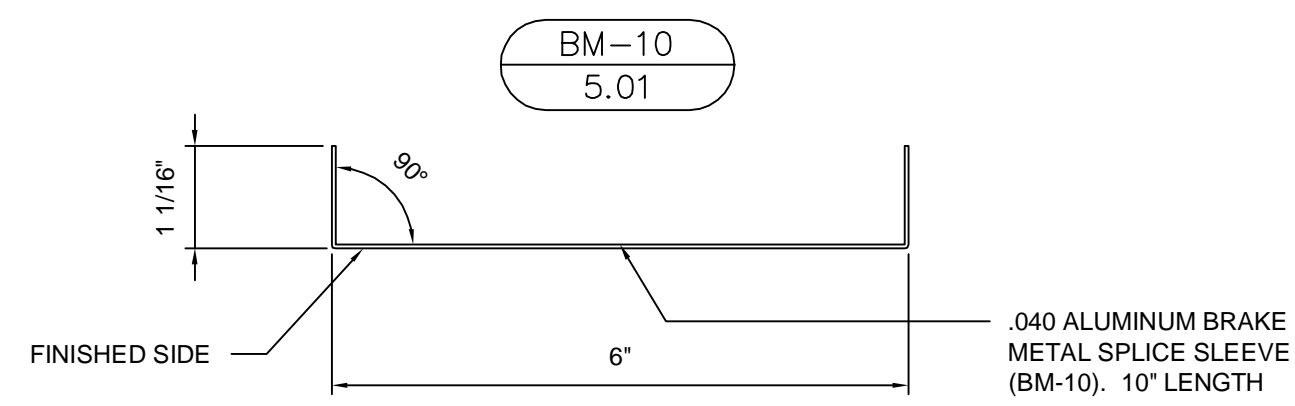
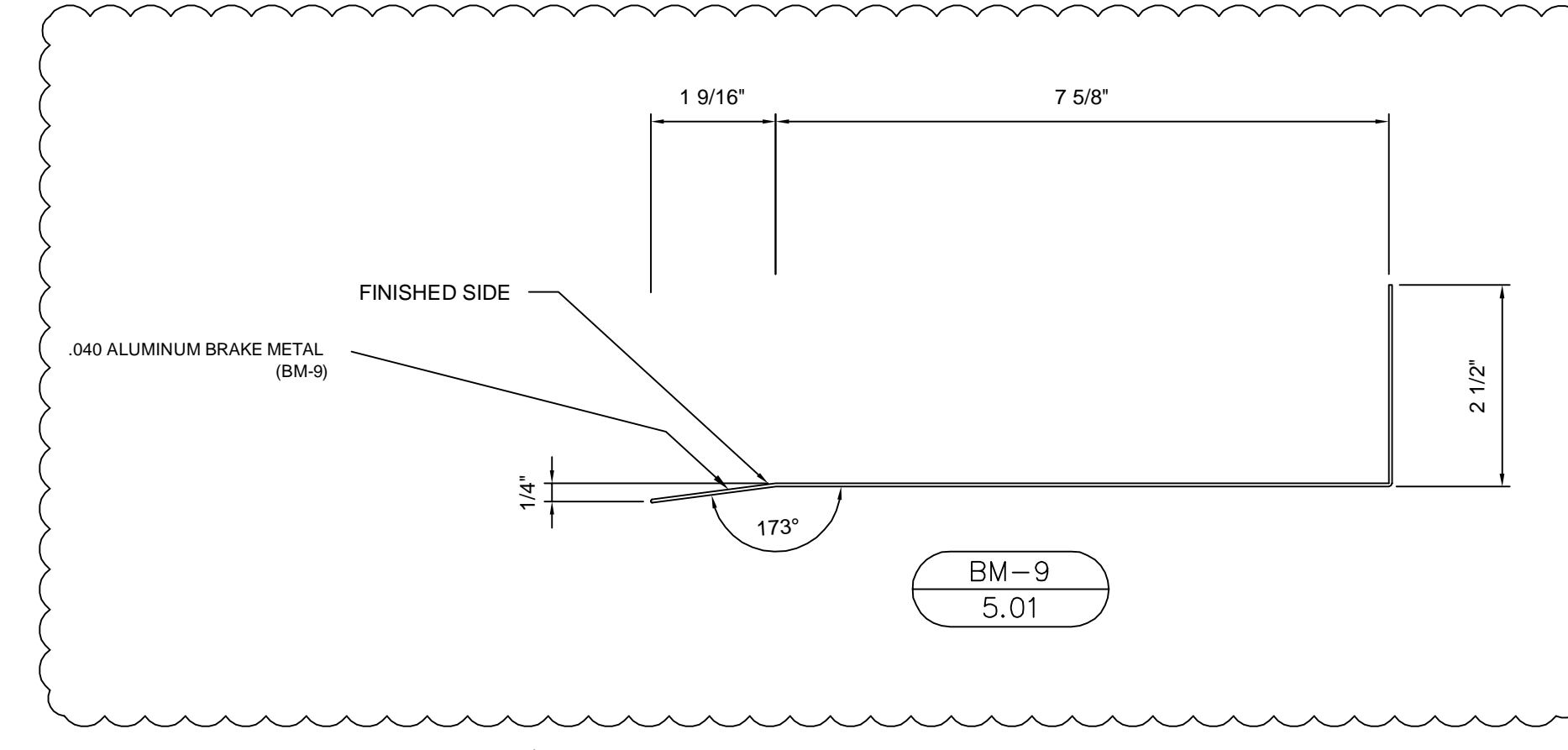
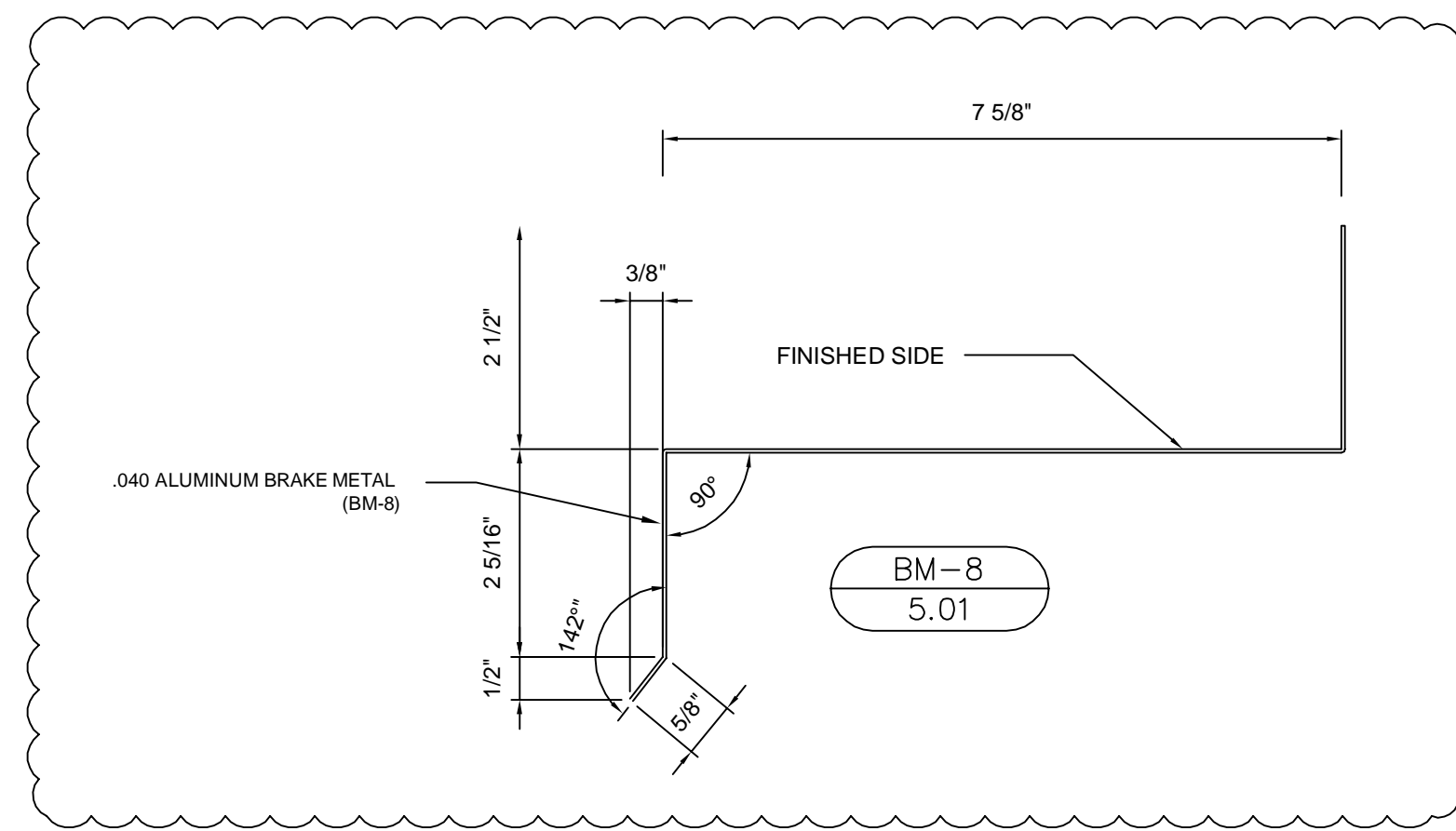
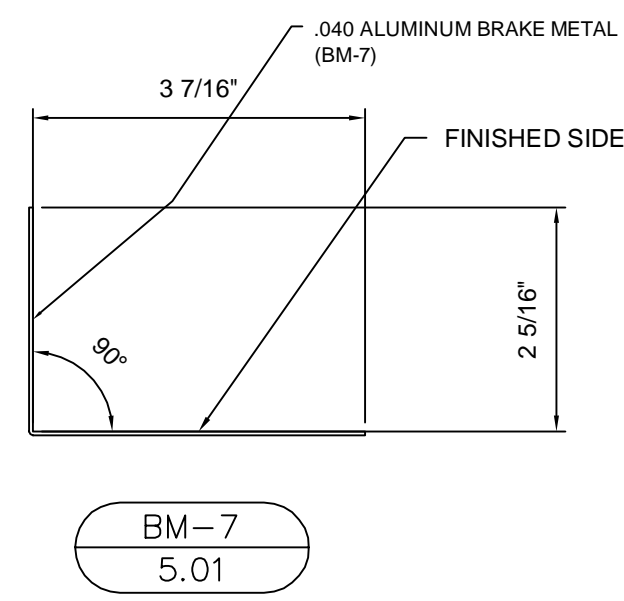
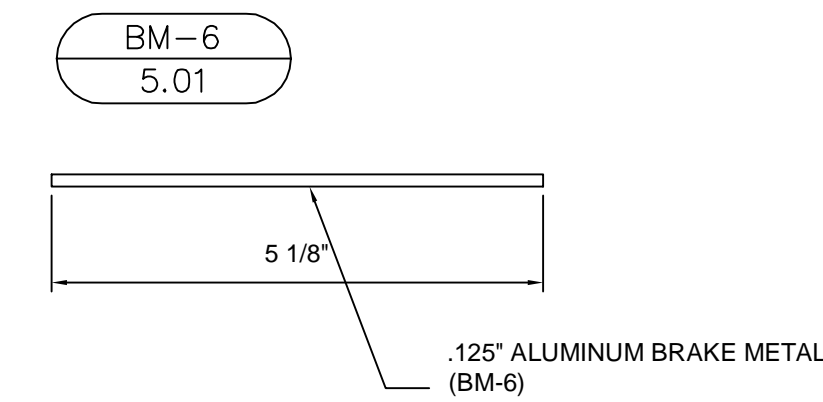
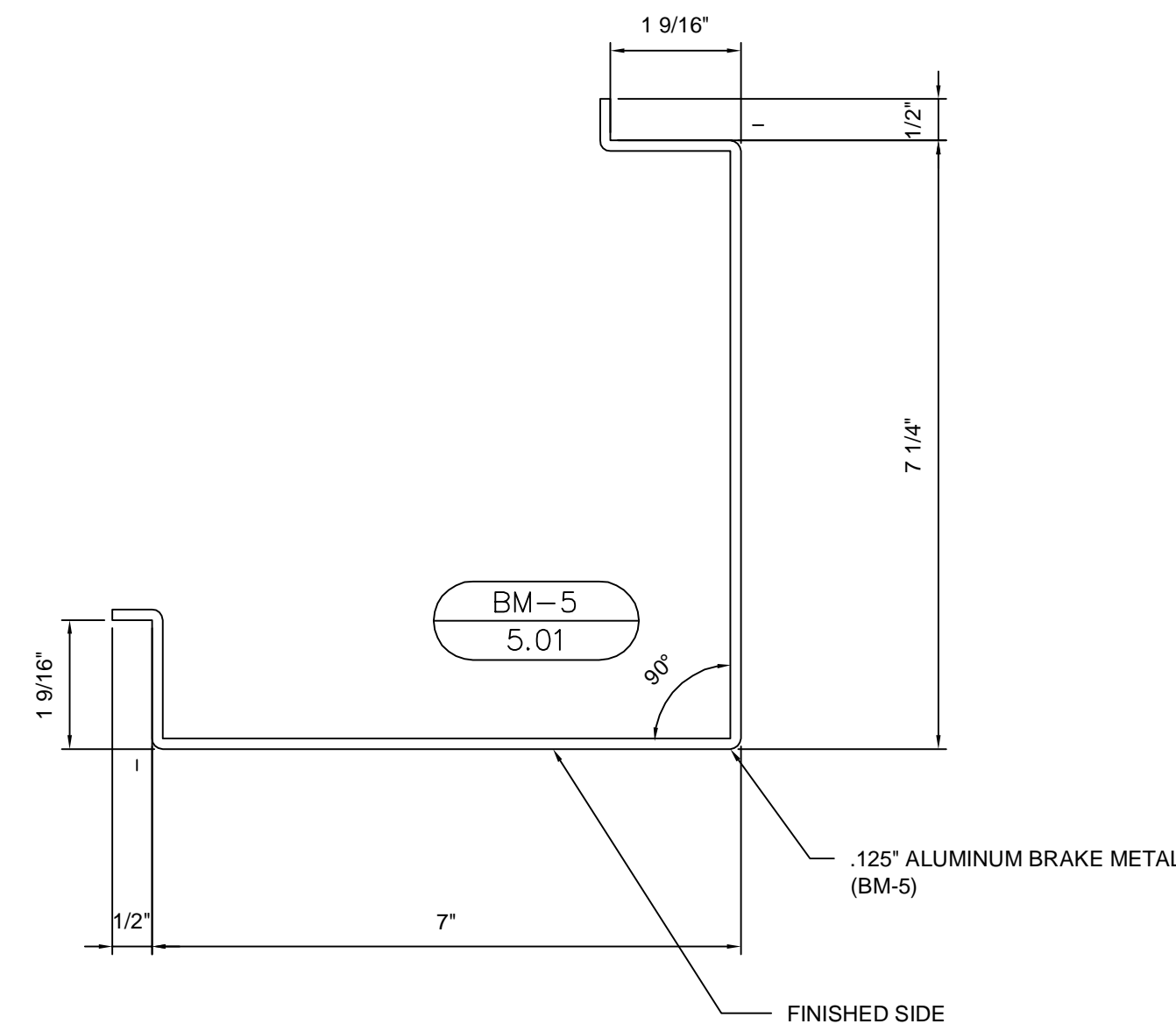
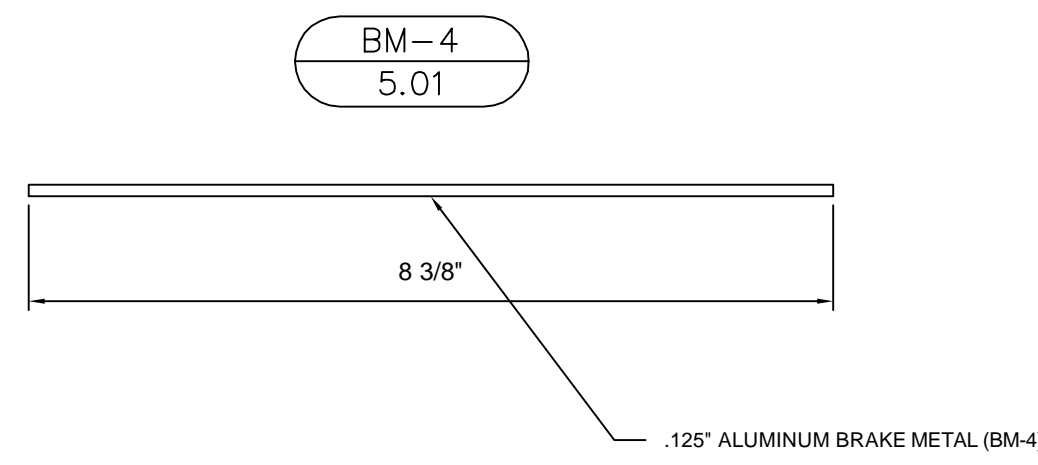
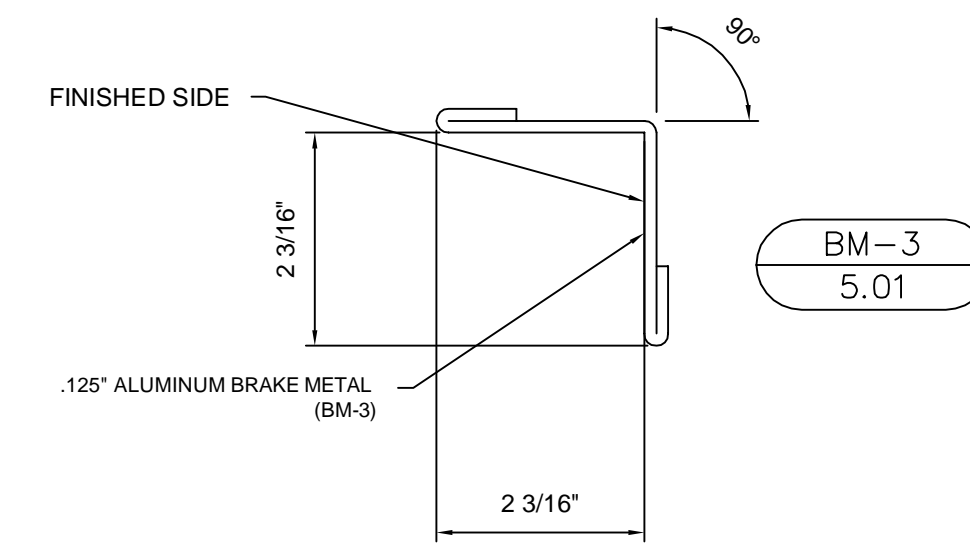
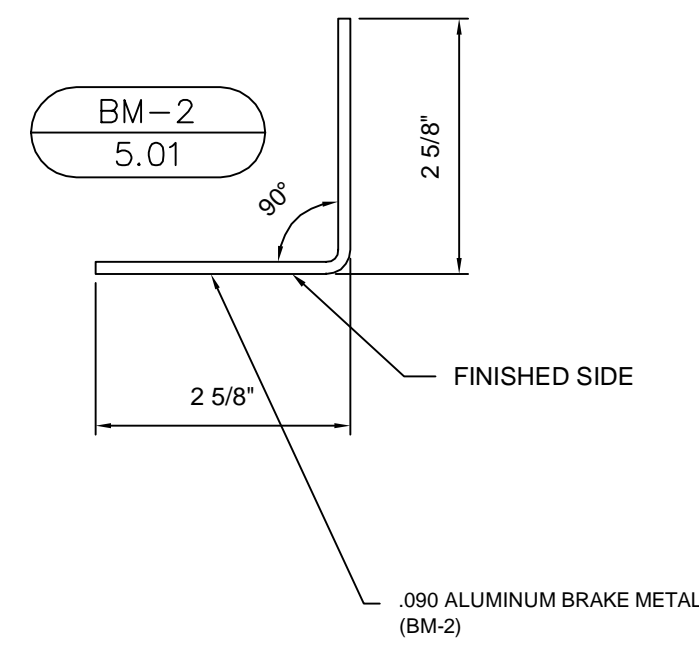
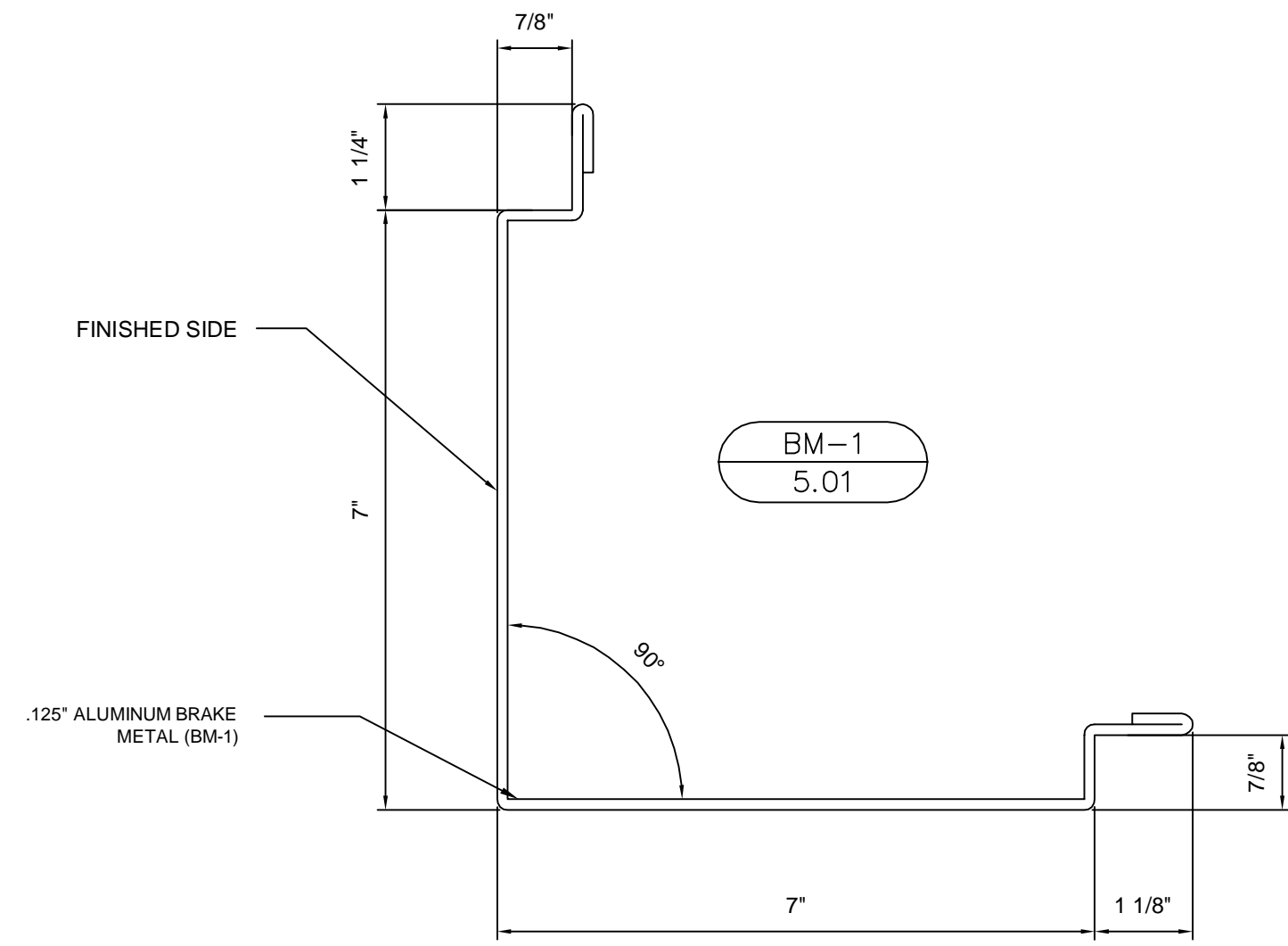
DRAWN BY: CW DATE: 9/6/11
CHECKED BY: JR DATE: 9/6/11

JOB NAME: VC SUMMER NUCLEAR

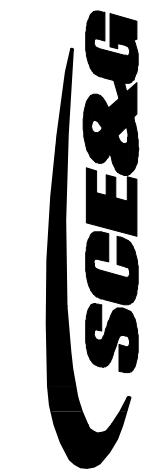
SHEET NO.: 4.06

NO	DESCRIPTION	DATE
1/10/12	1ST. REVISION	
11/7/11	1ST. SUBMISSION (ENGINEERING CALCS)	
9/6/11	1ST. SUBMISSION	

DRAWING SUBMISSION



TUBELITE[®] **DEPENDABLE**
 STOREFRONTS & ENTRANCES
 3056 WALKER RIDGE DRIVE, NW, SUITE G
 WALKER, MICHIGAN 49544
 800-866-2227 PHONE
 www.tubeliteinc.com



PROJECT INFORMATION
 PROJECT ADDRESS

CUSTOMER NAME
 CUSTOMER ADDRESS

DRAWN BY: CW DATE: 9/6/11
 CHECKED BY: JR DATE: 9/6/11

JOB NAME: VC SUMMER NUCLEAR

SHEET NO.: 5.01

NO	DESCRIPTION	DATE
1	1ST. REVISION	1/10/12
2	1ST. SUBMISSION (ENGINEERING CALCS)	11/7/11
3	1ST. SUBMISSION	9/6/11

DRAWING SUBMISSION