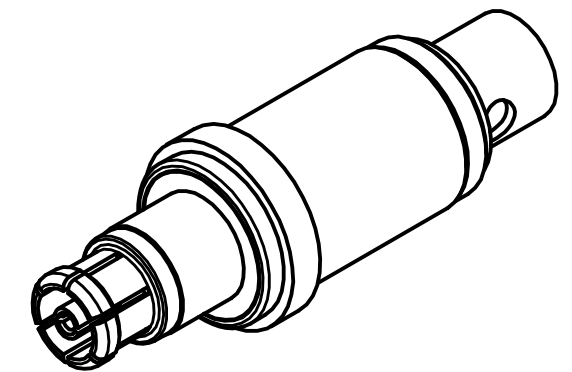
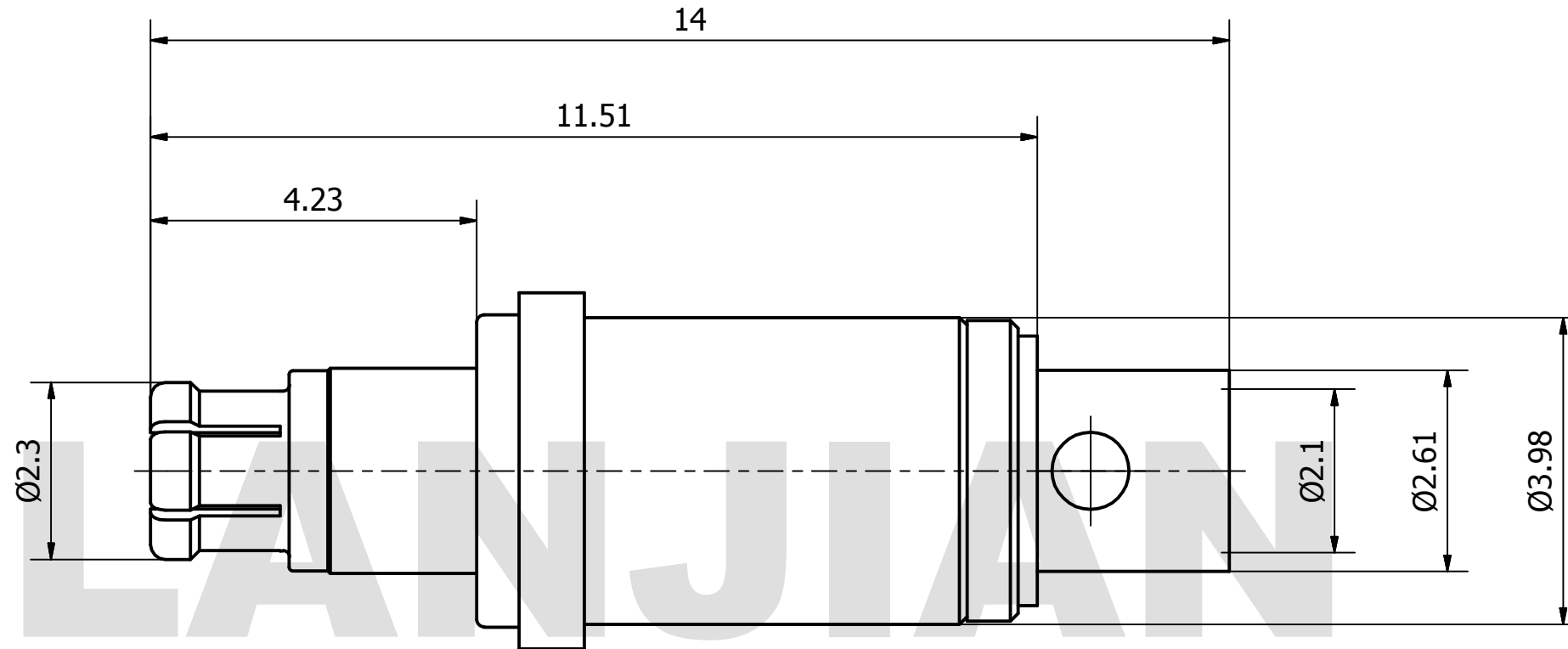


PRODUCT DATA SHEET



MATERIAL:
 BODY: BERYLLIUM COPPER PER ASTM B196.
 ALLOY NO. UNS C17300
 CONTACT: BERYLLIUM COPPER PER ASTM B196.
 ALLOY NO. UNS C17300
 INSULATOR: PEI

PERFORMANCE:
 IMPEDANCE: 50 OHMS
 FREQUENCY: DC TO 65 GHz
 VSWR: ≤1.35

THIS DOCUMENT CONTAINS CONFIDENTIAL AND PROPRIETARY INFORMATION THAT CANNOT BE REPRODUCED OR DIVULGED, IN WHOLE OR IN PART, WITHOUT WRITTEN AUTHORIZATION FROM "LANJIAN ELECTRONICS"	MATERIAL :			 38 Hengtong Road, Xinqu Dingmao Zhenjiang, 212009, Jiangsu, P. R. China
	UNLESS OTHERWISE SPECIFIED: DIMENSIONS IN MM			
	TOLERANCES :			
	X.X ±0.20	ANGULAR : ±1°	DEBURR AND	TITLE
	X.XX ±0.10	FILLETS R/C : ±0.10	BREAK SHARP	
	X.XXX ±0.01	SURFACE FINISH : Ra 1.6	EDGES	
DRAWN	NAME	DATE	SIGNATURE	
CHK'D	YaoJiang	12/10/2018		
APPV'D	HongZhongYan	12/10/2018		
MFG	HongZhongYan	12/10/2018		
PROJECTION		SIZE	SCALE	DWG No.
		A3	12 : 1	GCPZ3.660.H.016
DO NOT SCALE THE DRAWING				REV.
				A
				PAGE
				1 / 1