

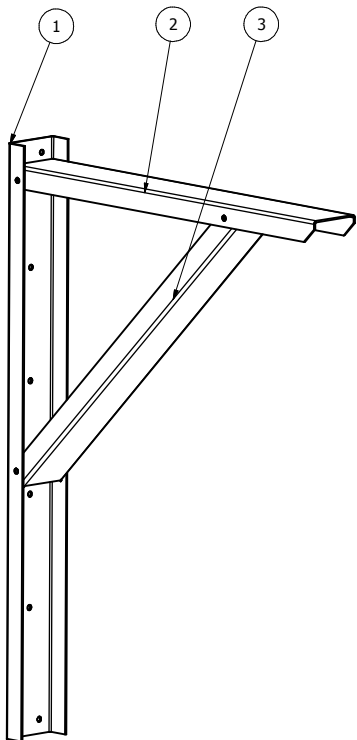
**GREENE**  
**GALVANIZED**  
**STAIRS**  
 www.greenebinstairs.com

**GREENE**  
**Welding & Hdw., Inc.**

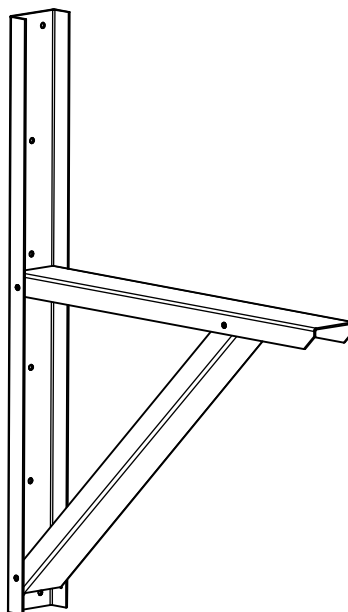
41774 Main St.  
 Box 191 • East Lynn, IL 60932  
 217-375-4244 • Fax: 217-375-4245

**60036 A Frame**

Cross bar high



Cross bar middle.



Parts List			
ITEM	QTY	PART NUMBER	DESCRIPTION
1	1	6203 A Frame Mount	
2	1	6201 A Frame Top	
3	1	6202 A Frame Brace	

DRAWN Rex A Greene	1/7/2005	Greene Welding and Hardware Inc. Greene Galvanized Stairs 217/375/4244 www.greenebinstairs.com	
CHECKED		TITLE <b>IN-60001</b>	
QA		SIZE C	DWG NO 60036 A Frame
MFG		SCALE NA	REV
APPROVED		SHEET 1 OF 1	