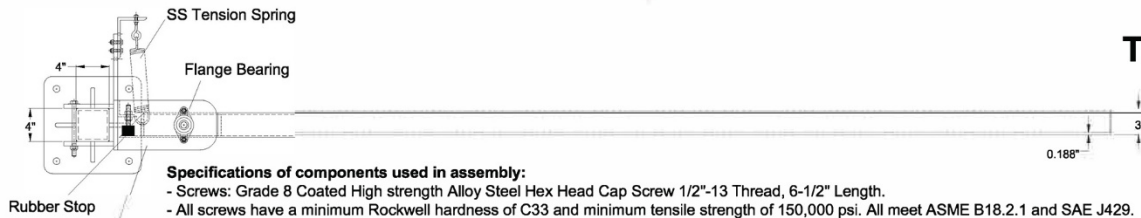


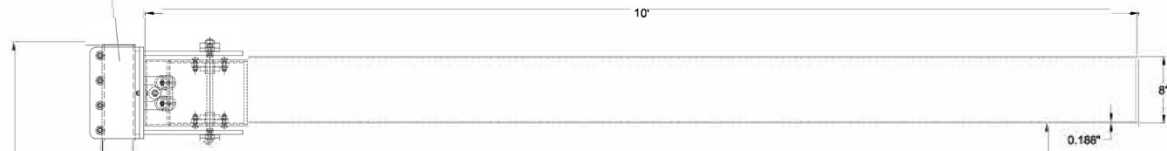
# TOP VIEW



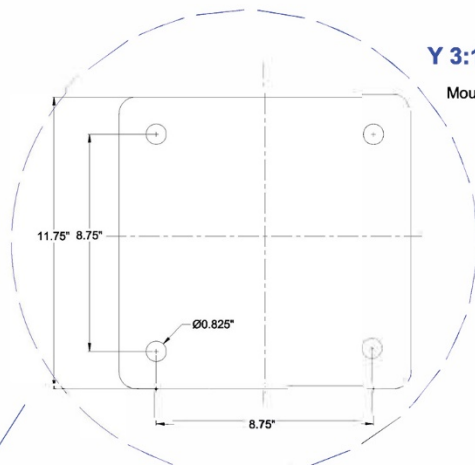
**Specifications of components used in assembly:**

- Screws: Grade 8 Coated High strength Alloy Steel Hex Head Cap Screw 1/2"-13 Thread, 6-1/2" Length.
- All screws have a minimum Rockwell hardness of C33 and minimum tensile strength of 150,000 psi. All meet ASME B18.2.1 and SAE J429.
- Nuts: Grade F Nylon-Insert Hex Flange Locknut Zinc-Pltd Steel, 1/2"-13 Thread Sz, 3/4" W, 9/16" H.
- Washers: Zinc-Plated Steel Type A SAE Flat Washer 1/2" Screw Size, 1-1/16" OD, .07"-.13" Thick.
- Springs: Material SS, Finish PASSIVATE per ASTM A967, MAX Ld 141.300 lb, Rate 22.09 lb/in, OD 1.75", WD 0.207", FreeLength 9".
- Shaft: Precision Ceramic-Coated Aluminum Shaft 3/4" Diameter.

**Compression Assembly**



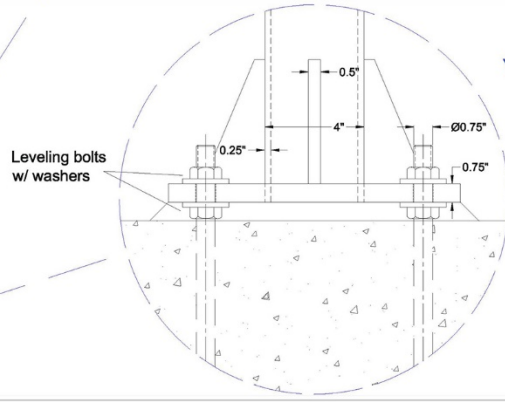
**Y 3:1**  
Mounting Template



MAX 9'-2"

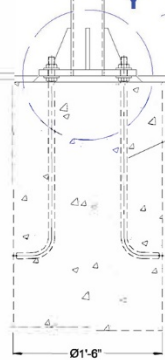
# FRONT VIEW

**Y 3:1**



**Recommended,**

- Ø0.75" L24" Galvanized Steel J Anchor
- Bolts: ASTM F1554 Grade 36 Bent
- Nuts: ASTM A563 Grade A Hex
- Washers: ASTM F436 Hardened
- Finish: ASTM F2329 Hot-dip Galvanized
- Please use Sonotube filled with foundation grade high strength concrete with steel rods enforcement. 30" deep or 4" deeper than local frost line.



	NAME	SIGNATURE	DATE	ACCESSORIES	QTY
DRAWN	GHA		05/11/13	Hor. Bm. Complete Ass'y	1
CHK'D	ISM		05/11/13	Ver. Bm. w/o Comprsn. Ass'y	1
APPV'D	ISM		05/11/13	Compression Ass'y	1
REV.	1			SS Tension Spring	2
				Rubber Stop	1
				Flange Bearing	4

Unless otherwise specified all structural components are made of Aluminum Alloy 6061-T6



Simon Marketing Group, LLC  
 1405 White Oak Drive • Kalamazoo, MI 49008  
 248-855-6647  
[www.parkinglotsafetyolutions.com](http://www.parkinglotsafetyolutions.com)

Title: RETRACTABLE CLEARANCE STRUCTURE  
 (Driver side is shown in drawing)

Part Number: CRCD  
 CRCP  
 CRCD1  
 CRCP1

SCALE: 1:22

SHEET 1 OF 1