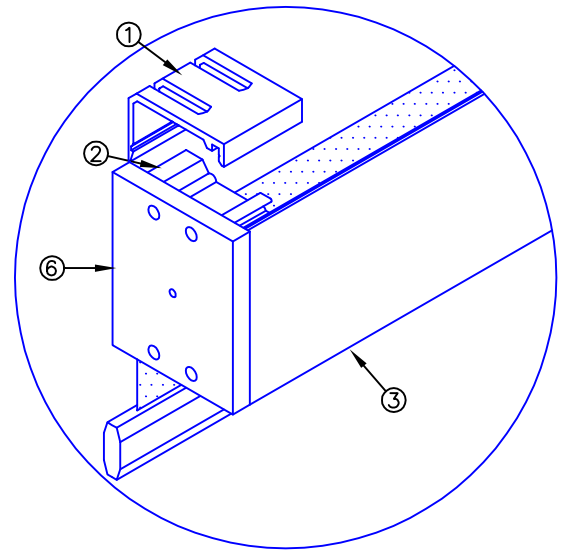
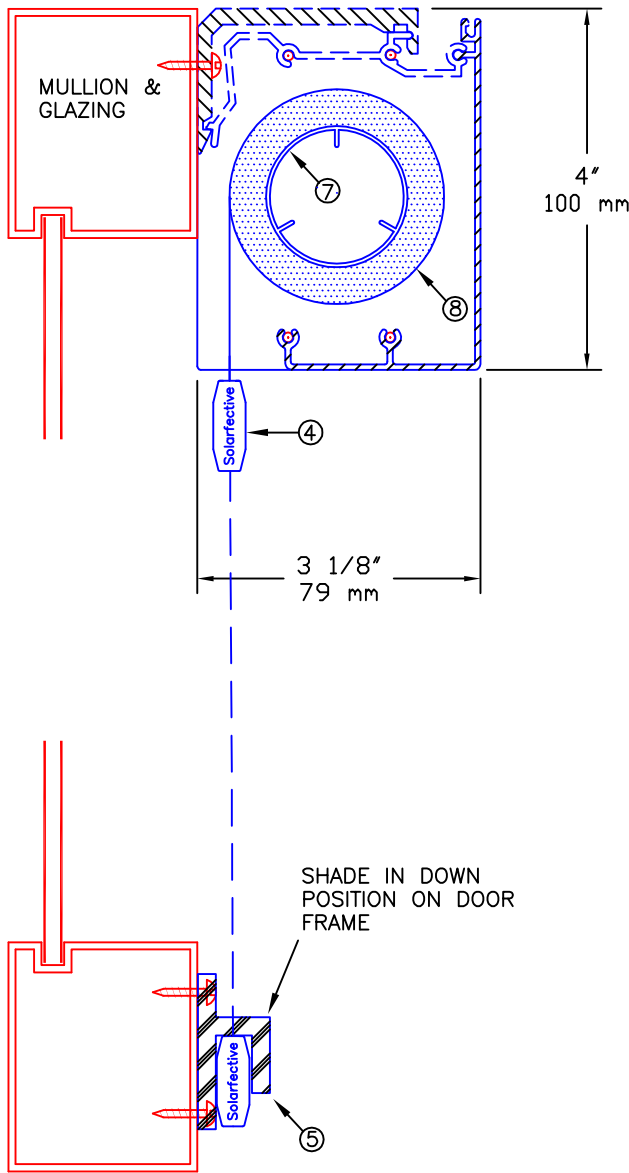


THE TELESHADE MOUNTED  
TO THE FACE OF THE MULLION



**NOTES:**

1. MOUNTING ANGLE
2. SPRING CLIP
3. EXTRUDED ALUMINUM FASCIA
4. EXTRUDED ALUMINUM EXTERIOR HEMBAR
5. DELRIN DOOR CLIP ON EACH SIDE OF SHADE
6. ABS END BRACKETS
7. 1 1/2"  $\phi$  EXTRUDED ALUMINUM TUBE
8. FABRIC: 1%, 3%, 5%, 10% OPENNESS OR BLACKOUT

**Solarfective**

55 Hymus Road, Scarborough  
Ontario, Canada. M1L 2C6

Tel. (416) 421-3800  
Fax. (416) 421-8424

Web Site: [www.solarfective.com](http://www.solarfective.com)  
Email: [shades@solarfective.com](mailto:shades@solarfective.com)

TELESHADE SYSTEM  
SPRING LOADED DOOR SHADE

PROJECT: -

DATE:  
JAN. 01, 2015

SCALE:  
N.T.S.

FILE No.  
-

DRAWN:  
ADIE

DWG. No.  
T-3

REV  
0