

June 2024

[www.nmra-scwd.org](http://www.nmra-scwd.org)

Volume 55 No. 10

## Super's Report

Art Dawson  
Division Superintendent

Hello fellow modelers,

We had a wonderful meeting with visitors from Rock River Valley Division that was well attended.

Our Annual Spring Banquet was also well attended. We enjoyed a good meal and good conversation. I find it fun to catch up with everyone at the end of the season.

Summer is upon us, and our summer picnic is coming up! The form for the summer picnic is once again in this Bad Order. Please submit your reservation by July 6<sup>th</sup>.

Summer brings on vacations, road trips, and the opportunity to do some railfanning. Enjoy and have a great summer.

I look forward to seeing you at the picnic.

Art Dawson, SCWD Superintendent  
Model railroading is fun!

## Modeling Project

I hope everyone has a great Summer. Just a reminder, I am still seeking ideas and suggestions for our modeling project for next year. Please call or email me with your thoughts, or see me at the Picnic in July.

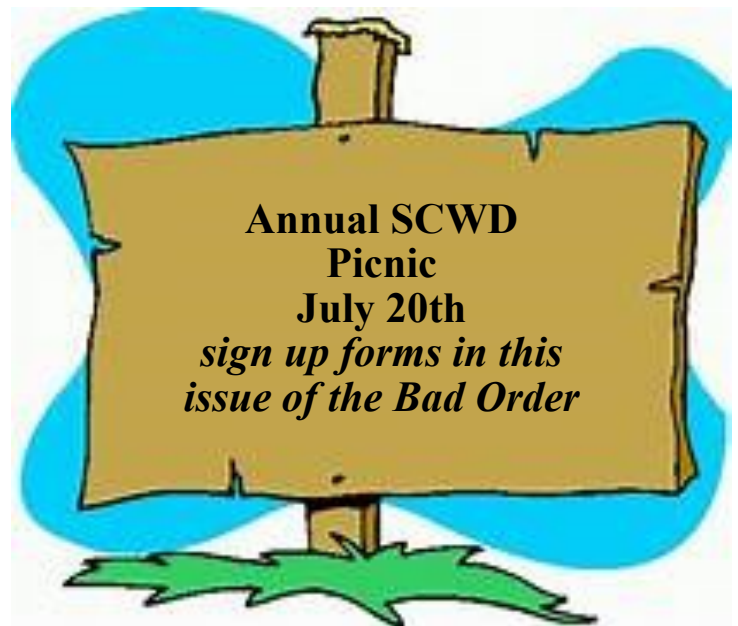
Mike Vivion  
Chair, Modeling Project

**Next SCWD Meet**  
**Verona Senior Center, Verona**  
September 8, 2024 at 1 PM

**Next BOD Meeting:**  
June 11, 2024 at 6:30 PM  
ZOOM Meeting



**Next Youth Group**  
**Verona Senior Center, Verona**  
September 14, 2024 1 PM



# Clinic Column

Ken Hojnacki

I hope everyone enjoyed the May clinics. Pete Reinhold's layout is going to be outstanding as his approach to benchwork shows. Bullet proof would be an apt description. Thank you, Peter.



Having started the Year of Operations with my clinic in September, it seems only right that I closed it out last month with my O&W operations clinic. I especially want to thank Brian Sheron, Bill Clancy, Bill Weber, Bob Wundrock and Bob Welke for giving us their perspectives on operations. I know I am going to apply some things I learned to improve my own ops sessions. I hope you will think about joining an ops session or trying one on your own layout.

I hope you have enjoyed the variety of programs over the last four years, COVID notwithstanding. But now it's time for me to get going on my car building for my last Achievement Program award toward my MMR. Please let the Board know soon if you can take over for next season. I will be glad to provide information on folks who have more clinics they are willing to present via Zoom. And thanks for all the favorable comments about the clinics over the years. Now, back to the basement.

Ken



*Thanks to Ken for all the great clinics over the last four years!!*

# Youth Group

Steve Preston, Chair



Hi everybody, on Saturday Phil Hottmann showed the kids how to make trees. It was a real nice day out so we took our stuff outside. We set up a make shift spray booth out of a cardboard box and had a rack that Phil had brought. We then let them dip some trees into a batch of special jungle juice the Phil had concocted to preserve the trees. After they let the trees dry, he gave the kids a chance to spray them with hair spray to preserve them. Once that was done, we let them spray paint the trees and sprinkle some static grass to give them the look of leaves on them. Each kid was given the chance to take home their tree for their dioramas. For some of the kids, this was their first chance to use spray paint to decorate something; I just hope it doesn't lead to decorating the side of a box car.

Thanks Phil for a great clinic. We hope to see you all at the picnic. We will begin our next clinic in September.

Steve Preston  
Youth Group Chair and  
SCWD Membership Chair



# Contest Column

Dave Down, Chair

The 23-24 contests have been completed, the year has come to a close, awards have been made and we have the future ahead of us. Right now I am working on a series of themes for the 24-25 contest season, so I am looking for help and ideas. We do recycle themes periodically, so some ideas will be like the old ideas, but it is good to keep looking for ideas we haven't seen in a long time, or ever.

On another topic, I was questioned after the last meeting about where the rules of the photography contest might be found. I was certain they were in the Red Book, but when I checked on that, they were not in the old print version I had and they were not in the electronic version. So, I will be looking to update those rules and make sure they are readily accessible in the future.

Here are the results of the May Contest. We had many entries, probably the most we had all year in one contest. Thanks to our friends from the Rock River Valley Division who joined us on May 5 we had some really great entries in S scale. We don't see many of those in our contests, but there were at least nine or ten beautiful models in that scale. In all there were fourteen entries from the Rock River Valley Division. Thanks to all of you for participating in the contest.

## May 5 Popular Vote Contest Results — The Caboose

### Models

#### Cat. A Wood Caboose

- 1st Clarence Welte: CM&G #11004 MOW Caboose
- 2nd Dave Casey: C&NW #11552
- 3rd Phil Hottmann: Knob Creek Caboose



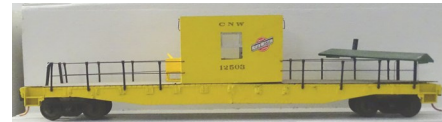
#### Cat. B Steel Caboose

- 1st Dave Casey: C&NW Bay Window #11073
- 2nd John Mann: CB&Q #13526
- 3rd Don Swinton: Soo Caboose



#### Cat. C Transfer Caboose

- 1st John Mann: C&NW #12503
- 2nd Dave Casey: C&NW #950



#### Cat. D 4-Wheel Caboose (Bobber)

- 1st John Mann: CB&Q #14973
- 2nd Don Swinton: Reading Caboose



### Photos - Prototype

#### Cat. PA Wood Caboose

- 1st: Dave Down Soo Line @ New London, WI
- 2nd Jim Thayer-Hart: C&O Caboose
- 3rd Jason Martin: Red Caboose

#### Cat. PB Steel Caboose

- 1st Jim Thayer-Hart: Detroit Toledo & Ironton

### Photos - Models

#### Cat. MD. 4-Wheel Caboose (Bobber)

- 1st Dave Casey: Bobber Caboose

Our next contest lists will be published after the June Board Meeting and the first contest will be at the September meeting.

Dave

# Layout Tours

Phil Hottmann

I hope everyone enjoyed the tours presented this past season! Fortunately, we were able to see a number of layouts for the first time. I'm hoping we'll have some new ones for next season also.

Thanks to Al Potts, Donn Tolley and Rose Tolley for opening their layouts for the joint meeting with the RRVD. I wasn't able to attend those layouts due to having mine open as well. It sounded like they were well attended. I really appreciated all the comments I have received! I was hoping to use the open house as inspiration to complete more scenery. You never get as much done as you are hoping.

I am working on the line-up for next season. I have a few layouts slated to be open, but do not have any months set yet. If you would like to get on the tour for next season, please let me know.

Again, thanks to everyone that was open this past season!

Phil

**Al Potts**



**Phil Hottmann**



**Rose Tolley**



**Donn Tolley**



# Annual SCWD Awards

## *Hank Brown Award for Continuous Service* **Ken Hojnacki**



I am honored to receive the Hank Brown Award this year. Being an NMRA member for 61 years now, I have had the privilege to enjoy our great hobby with a lot of wonderful people. I have been a Chief Clerk, Assistant Superintendent, Superintendent, committee chair and clinician and worked with a great team on our very successful Capitol 400 convention. I also had the opportunity to know Hank Brown in conjunction with Division activities and operating on his O Scale layout as well as having received his advice and assistance in buying a basement for my O&W Auburn Division and getting a house put on top to keep the rain out. I hope my contributions have made a difference in our SCWD families' modeling enjoyment and thank everyone I worked with over the years for their support and camaraderie.

Ken Hojnacki

## *Modeler of the Year* **Don Swinton**



## *Photographer of the Year* **Ewing Row**

## *Bob Davis Award for the Volunteer Spirit* **Keith Thomsen**



### **Dean D. Collins**

Madison

Dean D. Collins, 85, of Fitchburg passed away on Wednesday, March 6, 2024 at his home. Dean was born in Milan, Michigan but always called Madison "home". He joined the US Air Force in 1957 and proudly served in Explosive Ordinance Disposal around the world. While stationed at Truax Field in Madison, he met his future wife, Laura. He spent his working years at IBM as a service technician, traveling all over southern Wisconsin working on typewriters and office equipment. Outside of work, Dean was an avid model railroader and master woodworker. He started woodworking by making a crib for each of his grandchildren. His family is blessed to have many other pieces of furniture such as tables, desks, beds, chessboards, and decorative boxes that Dean lovingly made over the years.

Dean is survived by his wife of almost 60 years Laura (Cuccia) Collins; daughter Laurean (Tom) Butcher, son John (Julie) Collins, and grandsons Jarrett, Ethan, John Michael, Hunter, Brody, Tyler, and Greyson. As Dean often said, 'from his humble beginnings, he was so proud of his family and the life that he had.' In addition to his family, Dean was friends with many people in the community, including a group of friends who met every Tuesday for lunch.

# SCWD Annual Banquet May 10, 2024





*Apologies if you attended the banquet and missed being in the photos!*



SCWD 2023-2024 Annual Election of Board of Directors Meeting  
April 7, 2024



The South Central Wisconsin Division of the National Model Railroad Association Annual Meeting for the Election of Members to the Board of Directors was called to order by Election Committee Chairman Phil Hottmann at 1:03 pm.

This election meeting was held during the April SCWD Membership Meeting at the Verona Senior Center.

**Paymaster Summary:**

Our paymaster, Bob McGeever, presented a summary of the financial position of the organization and a few details about the 2024 Madison Model Railroad Show and Sale.

**Annual Election of Officers to the Board of Directors:**

The nominees for the Board of Directors were introduced.

- Art Dawson - Current Superintendent**
- David Down - Current Assistant Superintendent**
- Phil Hottmann - Past Superintendent**
- Bob McGeever**
- Dave Dingman**
- Steve Preston**
- Chris Bradley**
- Bill Mitchell - Current Clerk**

Phil Hottmann asked the membership if there were any nominations from the floor. There were no nominations.

A motion made by Don Swinton, second by Pat Harding, to close the nominations. Motion carried.

Phil Hottmann entertained a motion to elect the slate of candidates by UNANIMOUS ballot. A motion made by Don Swinton, second by Pat Harding, for a UNANIMOUS ballot. Motion carried.

The South Central Wisconsin Division of the National Model Railroad Association Board of Directors:

- Art Dawson - Superintendent**
- David Down - Assistant Superintendent**
- Phil Hottmann - Past Superintendent**
- Bob McGeever - Paymaster**
- Dave Dingman**
- Steve Preston**
- Chris Bradley**
- Bill Mitchell - Clerk**

*(Note: The Board of Directors will approved the position responsibilities at the April 9 BOD meeting.)*

**Adjournment:**

A motion was made by Don Swinton, second by Pat Harding, to close the annual meeting. Motion carried. The annual election of the SCWD Board of Directors annual election meeting was adjourned at 1:10 pm.

With the adjournment of the annual election meeting, final regular meeting announcements were made.

**Bill Mitchell - SCWD Clerk**





# SCWD 2024 Annual Summer Picnic

## Saturday, July 20, 2024



For the past several years, except for 2020, the SCWD has held a catered picnic at Little Amerricka Park in Marshall on their “Whiskey River Railway Day”. The SCWD Board has agreed to do so again this summer on Saturday, July 20th. Reservations have been made with the amusement park for use of their Blue Rose Pavilion and catering is being arranged. The park opens at noon and closes at 5 pm. Lunch will be served starting at 12:30 pm. As was done in 2019, 2022, and 2023, the Board has decided to defray part of the catering cost by charging a \$5.00 fee for each attendee, six years old and above. Five and under get the meal for free. Railway equipment can be viewed for free, but train and other rides require purchased tickets from the Park. SCWD members and their families, Youth Club members and their families and other invited guests approved by the Board can attend the picnic. To determine the food quantities for the caterer, you will have to sign up and pay by Saturday, July 6, 2024.

Little Amerricka is located on STH 19 on the east edge of Marshall. Parking directly at the Blue Rose Pavilion can be reached off Box Elder Rd. intersecting USH 19 just east of the Park’s regular entrance.

### Added Attraction

Roy Grant will have his N-scale Omaha Western layout open from 10 am to noon. His layout in the house was on display prior to the 2017 picnic. He has now rebuilt the layout into a separate building. The property is about 2 miles west from the first intersection north of I-94 on STH 73 at West Medina Rd. The address is 1465 West Medina Rd, Deerfield, WI 53531 on the south side of the highway.



---

### SCWD 2024 Annual Picnic Sign-up and Payment Sheet

SCWD Member and Family Attendee(s) names:

Cost(each):

---

---

---

---

---

---

---

---

Total Enclosed \$ \_\_\_\_\_

Please print and fill out the form and send with payment (cash or checks - payable to the SCWD) by 7/6/24 or bring the sign-up sheet and payment to me at a future SCWD monthly meeting. My address is:

John Haverberg, 4797 Delmara Rd, Middleton, WI 53562

Any questions, contact me at E-mail address: [haverdj@tds.net](mailto:haverdj@tds.net), Phone: 608-836-7963

## A Puzzle for You

You like trains, or train watching, but have you ever wanted to go to an OPS (Operating Session) and run trains on someone else's layout, but were afraid you wouldn't know what to do?



Model Railroad Operation is a fun and interesting role-playing game where the players (operators) use model trains to simulate the movements of the prototype railroad. Operators fill the roles of railroad employees like engineers, conductors, yardmasters, dispatchers, and more. Many of our SCWD members participate each month at multiple layouts to enjoy this fun and stimulating practice of critical thinking and problem solving in the context of railroad operations.

Now, there is a way for you to get your feet wet in this critical thinking and problem-solving railroad environment in the privacy of your own home through the use of railroad switching puzzles.

In July 2020, a group of SCWD members started a project to introduce more of our members to the enjoyment of railroad operations, or as our wives call it, playing trains. Some of us have been engaged in operating sessions for 20 years or more, and would like to get more of you involved.

The project involves getting one to solve a series of train switching puzzles (on paper, or your computer) in the least number of moves possible. You can then submit your solution to see if yours was done in the least number of moves.

**Beginners** can start with **3 introductory puzzles** to show the kinds of skills used in railroad switching operations. Then, you can advance to a series of more advanced puzzles written and based on actual SCWD member area layouts. Or, if you have already been to an OPS session, you could do an introductory puzzle, and jump right into the more challenging ones.

**Join the SCWD listserv now and begin learning what this is all about!**

Email Steve Lanphear at [scwdmemberlist@mhtc.net](mailto:scwdmemberlist@mhtc.net) to be added to the list and start receiving your puzzles now!

Happy Railroading!  
Steve



**Enjoy receiving interesting rail photos, model railroad tips, Operating puzzles, and challenging Mystery Photos??**

Join The 120+ SCWD members and members from other Midwest Regional Divisions who are participating in the SCWD listserv. You can expect 5 - 10 photos of railfan photos or model railroad photos or other items per week on average, as well as SCWD announcements, monthly Mystery Photo contests, Modelers Corner, and OPS Corner Puzzles. The listserv has been running this since April 2012, and it has been quite popular.

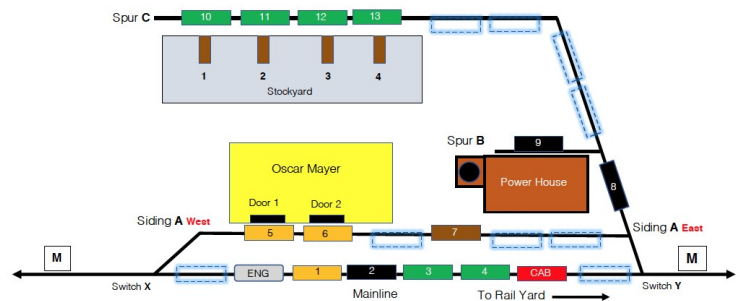
The listserv is a one-way email broadcast to you, not a social media type service. The emails are sent in bulk, but as a BCC: type email.

Please save this email so you know how to get a hold of me. So, if you would like to try out this FREE member service, just send me your **Name** and **email address**, and **City/State** to the address below. You may drop out at any time by sending an email stating such to the same address below.

Steve Lanphear  
SCWD listserv Coordinator  
[scwdmemberlist@mhtc.net](mailto:scwdmemberlist@mhtc.net)



## OPS Puzzles

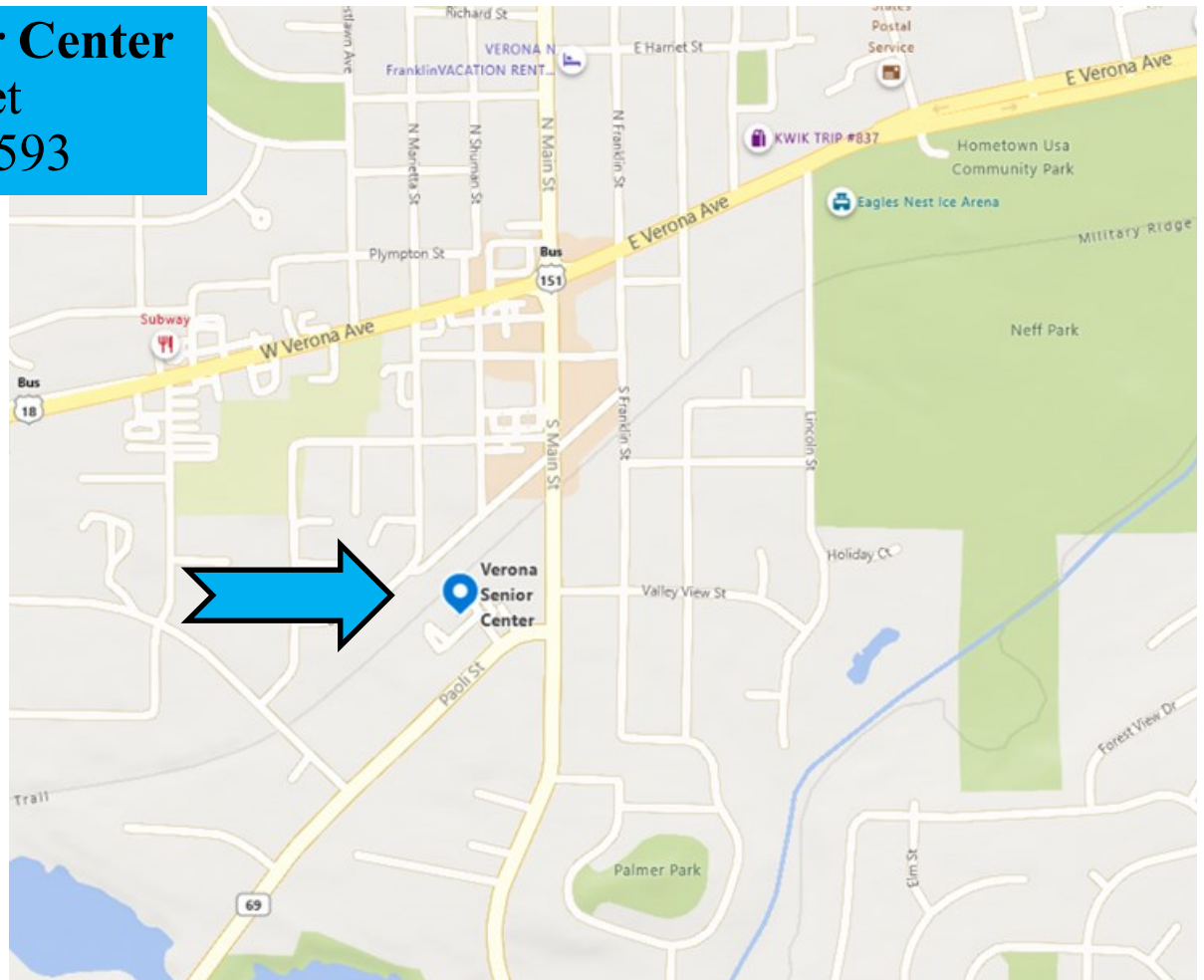


OPS Puzzles have arrived! We now have a section on the SCWD Website that has all 11 puzzles that we have published on the listserv, including the handouts and diagrams. You can start from the beginning, or pick and choose which puzzles you would like to try.

[www.nmra-scwd.org/ops-puzzles.html](http://www.nmra-scwd.org/ops-puzzles.html)

Steve Lanphear and the Puzzle Development Team.

**Verona Senior Center**  
108 Paoli Street  
Verona, WI 53593





# NMRA NEWS



The week-long **SurfLiner**  
**2024 NMRA National**  
**Convention**

is being hosted by the  
Pacific Southwest Region of the  
NMRA on  
**August 4-11, 2024** at





**Minutes SCWD Board Meeting  
April 9, 2024  
via Zoom meeting**



The meeting of the South Central Wisconsin Division Board of Directors was called to order at 6:36 pm by Superintendent Art Dawson. Art Dawson, Phil Hottmann, Bob McGeever, John Kosobucki, Dave Dingman, Chris Bradley, Steve Preston, and Bill Mitchell were present. John Haverberg attended the first part of the meeting to provide updates to the board.

(Meeting date and start times may vary due to BOD members schedules.)

***BOD Meetings:** Members of the SCWD are invited to join a ZOOM Board of Directors meeting. Meeting dates are published in the **Bad Order**. Send a request to Art Dawson or another member of the SCWD Board for a **ZOOM** link to the upcoming meeting. The members' contact information is in the **RED BOOK**.*

**Annual Meeting Motions**

A motion was made by Dawson, second by Preston, to recognize the finished term and service of John Kosobucki as a member of the SCWD Board of Directors. Motion carried. Thank you, John, for being a member of the SCWD board.

A motion was made by Bradley, second by Preston, to welcome newly elected Bob McGeever, and the continuation of the current members, to the SCWD Board of Directors. Motion carried.

Art Dawson	Superintendent
David Down	Assistant Superintendent
Phil Hottmann	Past Superintendent
Bob McGeever	Paymaster and February Train Show Coordinator
Chris Bradley	
Dave Dingman	
Steve Preston	
Bill Mitchell	Clerk

***Special Note 1:** Bob McGeever has been a non-voting member of the SCWD Board of Directors this past year. He attends our BOD meetings to present the Paymaster report. Bob is now a voting member of the SCWD Board.*

**Minutes**

Motion by Dingman, second by Down, to approve the minutes (with the grammatical corrections provided by John Kosobucki) of the SCWD Board Meeting held on March 12, 2024. Motion carried.

**Paymaster Report**

Bob McGeever presented the highlights of the February Paymaster Report. Donations to the Youth Group fund have been received from memorials in the name of Eugene Duerst. Eugene Duerst had been a member of the SCWD until his membership lapsed due to Eugene's health. Motion by Down, second by Hottmann, to approve the Paymaster Report. Motion carried.

**Reports from John Haverberg**

**Picnic** - The SCWD July Summer Picnic is scheduled for July 20, 2024, at Little Amerricka Park in Marshall on their "Whiskey River Railway Day". **Angelo's** of Monona, will be the new caterer. A very good menu has been confirmed. The picnic lunch will be served at 12:30 pm. Also, a "Swap Tent" will be on the Little Amerricka grounds. Tables are available for people interested in selling some of their model railroad items. Contact John Haverberg (contact information in the picnic reservation form) for more information for a table. Tables must be set up by 11:30 am and taken down by 5:00 pm. The picnic reservation form is in the March and April **Bad Order** newsletters. Before the picnic, there will be a layout tour. See the picnic reservation form for the layout tour details. Picnic reservations must be received by **July 6, 2024**.

Adults, Children Age 6 years old and above \$5.00  
Children 5 years old and under FREE

**Madison Children's Museum Layout** - John Haverberg is coordinating a group of people to provide the expertise to the put model railroad layout exhibit back in operating condition. John Haverberg's contact information is in the **RED BOOK** and also in the July 20 picnic reservation form. The layout needs to be in operation during the **InterActivity 2024 Convention** to be held May 15 - 17, 2024.

**Committee Reports**

**Achievement Program** - Nothing to report.

**Advertising** - Nothing to report.

**Bad Order** - Articles are due for the newsletter by April 17th.

***Special Note 2:** The email list comes directly from the NMRA membership list, so please keep your membership active and your email current with the NMRA. All SCWD members are requested to inform the NMRA when their email address changes.*

***Special Note 3:** Kathy, our newsletter editor, is always in need of articles. Please submit articles as soon as possible to have them included in the next publication of the Bad Order to SCWDKATHY@AOL.com via email with attachments in a WORD formatted document.*

**Clinics** - Clinics are scheduled for the remaining monthly membership meetings.

***Special Note:** A new Clinics Chairperson is urgently needed for next season. Ken Hojnacki is retiring from that position after the May 2024 membership meeting.*





**For those members that participate in the listserv emails from Steve Lanphear, please remember to **send him your new email** if you change it! Changing your email with the NMRA does not change it on the listserv. His email is:**

Steve Lanphear  
SCWD listserv Coordinator  
scwdmemberlist@mhtc.net

**FROM the NMRA**  
**Please Keep in Touch**



Please make sure the NMRA has your current contact information. You will not be able to access the full range of NMRA benefits unless we can reach you.

- Please visit [nmra.org/members](http://nmra.org/members)
- Use your email address and password to log in.
- If you have not yet registered, or forgot your password, there are buttons for that. Take a moment to easily correct any problems.
- Once logged in, click on Member Info (top right corner).
- Make sure your information is correct.
- If not, please go to:

[nmra.org/request-membership-info-changes](http://nmra.org/request-membership-info-changes)

to submit a request for changes to be made.

*Thank you!*



# **MADISON HOBBY STOP**

6622 Mineral Point Road, Madison, WI 53705

Ph: 608-829-3820 • Fax: 608-829-3852 • [www.madisonhobbystop.com](http://www.madisonhobbystop.com)

**Hours: Monday – Friday (10 am – 8 pm) and Saturday (10 am – 5 pm)**

Model Railroading • Plastic Model Kits • Rockets & Accessories • Pine Car •  
Paints • Tools & more!

**Happy Spring!!**



**With all this rain, keep working on the railroad.**

**New/Old stock continues to come in.**

**Another HO coming in before July with 200+ freight cars,  
over 20 loco's with dcc and sound and a bunch of buildings.**

**Gift certificates available for Father's Day in any dollar amount.**

***We are now closed on Sunday until late November.***

**Thank you for your continued support.**



**Preorders are 25% off regular price except**

**Walthers Proto which is 20% off**

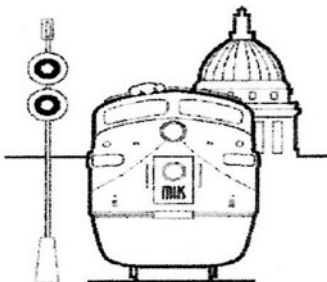
**New/old consignment coming in weekly, stop in for best selection**

**Remember, most model railroad items are 20% off**

**with a valid NMRA or other club id card**

*Excludes discounted or sale items, magazines, and consignments*

**Gift Certificates Available**



Madison Hobby Stop  
Chris Roosli, Proprietor



# The Hobby Depot

Brian Stackpole, owner



See us on the web at: [www.hobbydepotmonroe.com](http://www.hobbydepotmonroe.com)



835-17th Street  
Monroe, Wisconsin 53566

Phone: 608-325-5107

Call ahead to be sure we're open!

email: [hobbydpo@tds.net](mailto:hobbydpo@tds.net)

**TRAINS & MORE**

## South Central Wisconsin Division of the National Model Railroad Association

Publishes eleven issues yearly of the

### **BAD ORDER**

Official Mailing Address:  
BAD ORDER  
3940 Trempealeau Trail  
Verona, WI 53593

Photos in the Bad Order, unless otherwise noted,  
are by Kathy Clancy

Deadline for submissions: **14th of the month  
prior to publication.** Email Bad  
Order Editor at [SCWDKATHY@AOL.com](mailto:SCWDKATHY@AOL.com)

Place your ad here!!!

Contact

Kathy Clancy

Bad Order Editor

[SCWDKathy@aol.com](mailto:SCWDKathy@aol.com)

# Railroad Collectibles

## **Wanted to Purchase:**

Annual Passes-Card size-Pre 1830

Annual Reports

Brochures-Railroad Brochures, Folders, Booklets

Calendars-Pre-1980 Railroad Issued

Depot Related Items: Telegraph-Telephone-Signs-  
Ticket Dater Machines-W/Brass Die Insert

Diagram Books-Locomotive-Freight-Passenger

Dining Car China-Silverware-Holloware-Glassware

Especially With Railroad Name, Initials,  
Logo

Engineering Data Books-Track Charts-Blue Prints

Great Lakes Car Ferry and Passenger Lines-

Passenger Service Memorabilia

Fred Harvey Restaurant Items-Dishes, Glass, Silver,  
Paper and any Miscellaneous Items

Locomotive Builder Plates

Miscellaneous-Many more items not mentioned

Publications-RR Historical Societies-RR Employee  
Magazines

Signs-Porcelain or Metal with Railroad Logo

Step Boxes-with RR Name/Logo

Timetables-Public and Employee Railroad Sched-  
ules

Wax Sealers-From Railroads or Express Companies

Model Railroad Items: HO Gauge-Brass Equip-  
ment O Gauge (2 Rail 1/4" scale), Brass

Equipment, Kits, Passenger and Freight

## **NOT BUYING:**

No Model Railroad Magazines

No Insulators, Date Nails, Tokens, Post Cards,  
Watches or Belt Buckles

**RAILROAD RELICS**  
**LARRY BUNCE**  
**201 NORTH KERCH ST.**  
**BROOKLYN, WI 53521**  
**(608) 455-4233**

EMAIL: [rrrellmb@charter.net](mailto:rrrellmb@charter.net) or  
[rrrellmb@gmail.com](mailto:rrrellmb@gmail.com)

**\*\*BUY\*\*Shows-Ebay\*\*SELL**

## PLEASE PATRONIZE OUR AREA HOBBY STORES

The Hobby Depot – 835 17<sup>th</sup> Street – Monroe WI  
Madison Hobby Stop – 6622 Mineral Point Rd (inside Clock Tower) – Madison WI \*

\* = Train Show Ticket advance sales

### SCWD 2024-2025 Meeting Schedule

#### Regular Meeting

September 8, 2024  
October 6, 2024  
November 3, 2024  
December 1, 2024

#### BOD

June 11, 2024  
August 13, 2024  
September 10, 2024  
October 15, 2024  
November 12, 2024  
December 10, 2024

#### Youth Group

September 14, 2024  
October 12, 2024  
November 9, 2024  
December 14, 2024

### A Word about Constant Contact e-mail

Each Constant Contact e-mail includes links to update or unsubscribe your e-mail address. **Please do not use these links.** If you unsubscribe using the Constant Contact link, your e-mail address will be removed from the NMRA membership database, from the Midwest Region e-mail database and probably from your Division's records. If you get an e-mail that you don't want, just hit the delete key. Furthermore, if you use the update link, your change may not be timely posted to the NMRA membership database.

#### **If you need to change your email address with the NMRA please follow these directions:**

The direct way is to log on to the "Members" page of the NMRA website, choose the "View your NMRA membership" box on the right side of the screen, scroll down to the bottom of the page and select "Update". Enter the new email address in the appropriate box and click "Submit".