

4'4" x 9' OPEN Utility Trailer

The 5x8 utility trailers are another common choice with small businesses for deliveries and individuals who do moving, landscaping and other home improvements. This medium open trailer for rent is one of our most economical utility trailers; it is an affordable and reliable solution for transporting business or personal belongings



Features

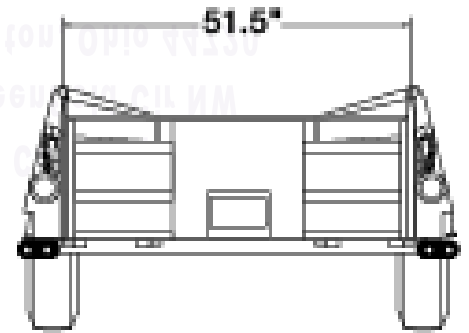
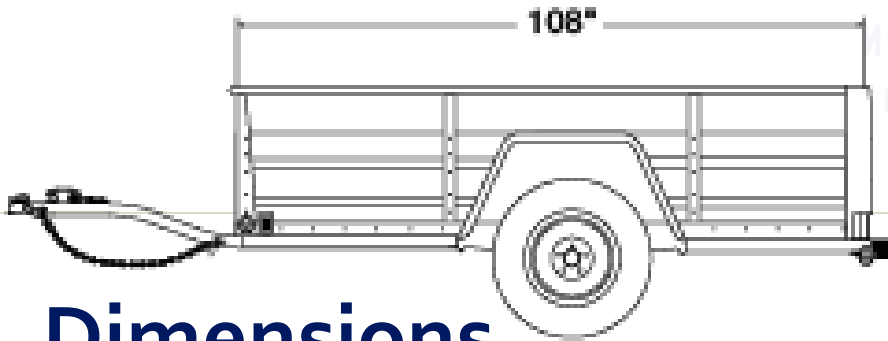
- Lowest deck
- Softest ride
- Easy towing
- Galvanized finish
- Multiple heavy-duty tie-downs

Capacity

- Empty weight: 1,000lbs.
- Max load: 1890 lbs.
- Maximum Gross Weight (trailer plus load): 2,890 lbs.

The Cap Stop

**6624 Greenfield Cir NW
North Canton, Ohio 44720
330-305-1998**



Dimensions

- **Inside dimensions: 108" x 51.5" (LxW)**

**YOU NEED:
2" BALL &
4 WAY ELECTRICAL
CONNECTION**

GREAT FOR HAULING

- LUMBER
- FLOORING
- MULCH
- GRAVEL
- BLOCKS
- LAWN MOWERS
- SNOW BLOWERS
- MOTORCYCLES
- 4 WHEELERS

AVAILABLE FOR LOCAL RENTAL ONLY

\$18.95 PER DAY