

Rising Plug Valves SRPV Series

Features

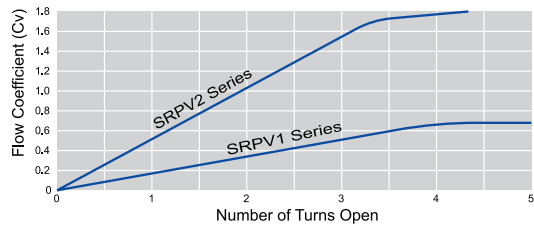
- Non-rotating stem tip
- Straight-through orifice for maximum flow
- Stem dust seal protects threads from external contamination
- Replaceable seals, seat and stem tip
- Panel mounting option
- Gauge port option



Specifications

| | |
|---------------------------|--------------------------------|
| Pressure rating | 6000psig (413bar) @100°F(37°C) |
| Temperature rating | -20 to 400°F (-28 to 204 °C) |
| Body material | 316 stainless steel |
| Orifice | 4.8mm, 6.4mm |

Flow Data at 100° F (37° C)



Testing

- Each Valve is tested with nitrogen at 1000psig(69bar) to maximum allowable leak rate of 0.1 SCCM.

Technical Data

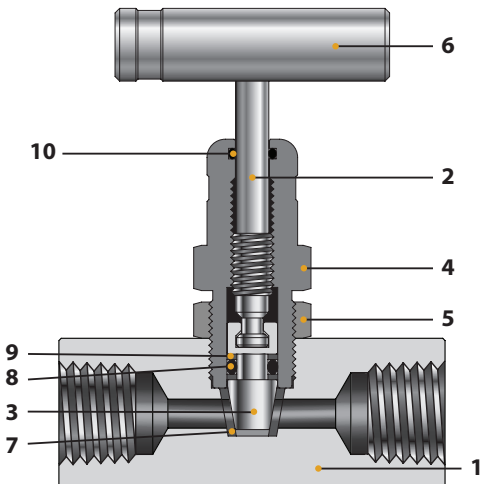
Pressure - Temperature Ratings

| Body Material | 316 Stainless Steel | |
|-----------------------------------|-------------------------------------|-------------|
| | Acetal | PEEK |
| Seat Material | | |
| Temperature Rating °F (°C) | Working Pressure, psig (bar) | |
| -20 to 100 (-28 to 37) | 6000 (413) | 6000 (413) |
| 200 (93) | 2650 (182) | 3000 (206) |
| 250 (121) | 1000 (68.9) | 1600 (110) |
| 300 (148) | - | 1300 (89.5) |
| 350 (176) | - | 1200 (82.6) |
| 400 (204) | - | 1000 (68.9) |

| O-ring Material | Temperature Rating °F (°C) |
|--------------------|----------------------------|
| VITON | -20 to 400 (-28 to 204) |
| Buna-N | -20 to 250 (-28 to 121) |
| Ethylene propylene | -20 to 250 (-28 to 121) |
| Kalrez | -20 to 400 (-28 to 204) |

• Viton O-ring is standard.

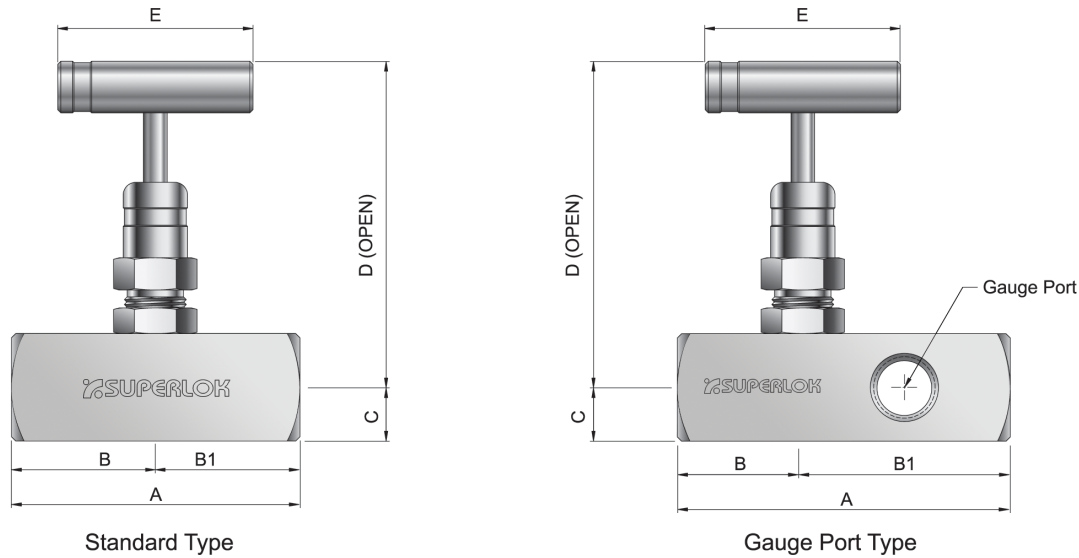
Materials of Construction



| No. | Component | Material Grade / ASTM Specification |
|-----|--------------|-------------------------------------|
| | | Stainless Steel |
| *1 | Body | SS316 / A479 |
| 2 | Stem | S17400 / A564 |
| *3 | Stem Tip | SS316 / A276 |
| *4 | Bonnet | SS316 / A479 |
| 5 | Lock Nut | SS316 / A276 |
| 6 | Handle | SS316 / A276 |
| *7 | Seat | Acetal |
| *8 | Stem Seal | Viton |
| *9 | Back-up Ring | PTFE |
| 10 | Dust Seal | Viton |

•Wetted components are marked "*"**

Table of dimensions



| Order Number | | Orififce | Cv | End Connections | | Dimensions, Inch (mm) | | | | | |
|--------------|-----------|----------|------|-----------------|-----------------|-----------------------|------|------|------|------|------|
| Series | Part No. | | | Port 1 | Port 2 | A | B | B1 | C | D | E |
| SRPV1 | F-2N | 4.8 | 0.63 | 1/4" Female NPT | | 62.0 | 31.0 | 31.0 | 12.7 | 96.3 | 60.0 |
| | MF-4N | | | 1/4" Male NPT | 1/4" Female NPT | 76.2 | 45.2 | | | | |
| | MF-8N-4N | | | 1/2" Male NPT | 1/4" Female NPT | 81.1 | 50.1 | | | | |
| SRPV1-G4N | F-4N | 4.8 | 0.63 | 1/4" Female NPT | | 78.0 | 31.0 | 47.0 | 12.7 | 96.3 | 60.0 |
| | MF-8N-4N | | | 1/2" Male NPT | 1/4" Female NPT | 97.1 | 50.1 | | | | |
| SRPV2 | F-8N | 6.4 | 1.80 | 1/2" Female NPT | | 84.0 | 42.0 | 42.0 | 16.0 | 96.9 | 60.0 |
| | MF-8N | | | 1/2" Male NPT | 1/2" Female NPT | 103.1 | 61.1 | | | | |
| | MF-12N-8N | | | 3/4" Male NPT | 1/2" Female NPT | 103.1 | 61.1 | | | | |
| SRPV2-G8N | F-8N | 6.4 | 1.80 | 1/2" Female NPT | | 107.4 | 42.0 | 65.4 | 16.0 | 96.9 | 60.0 |
| | MF-8N | | | 1/2" Male NPT | 1/2" Female NPT | 126.5 | 61.1 | | | | |
| | MF-12N-8N | | | 3/4" Male NPT | 1/2" Female NPT | 126.5 | 61.1 | | | | |

•Dimensions are reference only, subject to change.

Ordering Information

SRPV1 - F - 4N - PE - EP - P - SS

1
2
3
4
5
6
7

1. Valve Series

- SRPV1 : Without gauge port
- SRPV1-G4N : Gauge port 1/4"NPT
- SRPV2 : Without gauge port
- SRPV2-G8N : Gauge port 1/2"NPT

3. Port Size

- Pipe Thread Designation

| Size (inch) | 1/4 | 1/2 | 3/4 |
|--------------|-----|-----|-----|
| Screwed NPT | 4N | 8N | 12N |
| Screwed BSPT | 4R | 8R | 12R |

6. Panel Mounting

- Nil : Without Panel Mounting (Standard)
- P : Panel Mounting Type

2. Port Type (Inlet x Outlet)

- M : Male Pipe Thread
- F : Female Pipe Thread
- MF : Male Pipe Thread x Female Pipe Thread

4. Seat Material

- Nil : Acetal (Standard)
- PE : PEEK

5. O-ring Material

- Nil : Viton (Standard)
- N : Buna N
- EP : Ethylene propylene (EPDM)
- KAL : Kalrez

7. Body Material

- SS : 316 Stainless Steel