

Application Support



Small Flexible RF Cable Solutions.



Enhanced Alternatives to RG178/RG316 & RG179

Component Engineering challenges often require finding a “commonly available solution”, for a specific application that meet broad, often conflicting requirements, determined by colleagues in electronics.

Assuming knowledge of standards like RG cables and widely available solutions, our expertise can be useful when those will not work. ConductRF can provide options for higher frequency, lower loss, greater mechanical integrity and more. When working in tight spaces, try these new RF cable options available exclusively from ConductRF.

CRF178DB

RG178 is only specified up to 3GHz at 50Ω.

ConductRF’s enhanced Double Shielded version also has a solid center conductor and supports applications up to 6GHz with greater Isolation.

A91SST

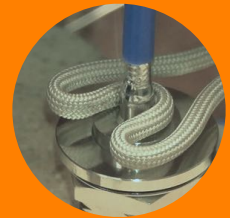
RG316 & RD316 are only specified to 3GHz & 12GHz respectfully.

ConductRF’s enhanced Triple Shielded version supports applications up to 20GHz for 50Ω, with greater Isolation.

Q03FX

RG179 & 179DT are single & double shielded options for 75Ω.

ConductRF’s enhanced Quad Shielded version supports applications up to 3GHz with greater Isolation.



Induction Soldering
Termination style & techniques can change performance outcome for RF.



Crimp Connectors
A great repeatable solution. Enhanced braids increase pull strength.



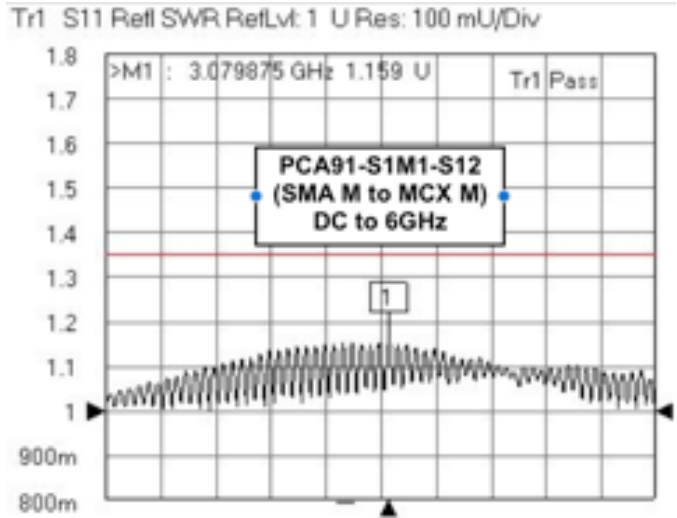
Temperature
Cable Jacketing & Strain relief are often failure modes over 90°C

Mechanical Enhancements

ConductRF has developed several new RF cables in recent years to better support current applications. Shielding structures are key improvements that allow enhanced frequency operation and better RF performance for today's electronics.

Costs & Lead Times Maintained

Because these new cables are derived from older standards, ConductRF has been able to make minor changes to existing standard connectors. Changing crimp ferrules or re-purposing designs for other cables has allowed us to make many standard connectors available for producing assemblies with shorter lead times and at often no extra cost.



Case Study - PCA91-S1M1-S12

12" SMA male to MCX male.

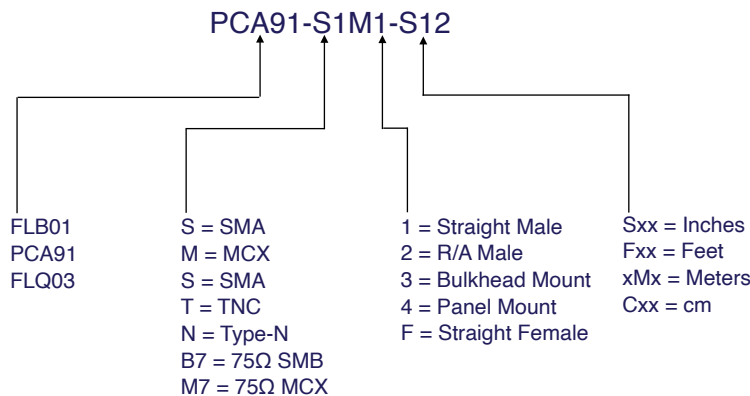
Original performance using standard cable required a much higher VSWR tolerance for effective manufacturing. The improved A91SST gave a significant enhancement and greater production consistency with the same connectors.

PART NUMBER OPTIONS

Enhanced RG178 Alt. CRF178DB - FLB01 Series

Enhanced RG316 Alt. A91SST - PCA91 Series

Enhanced RG179 Alt. Q03FX - FLQ03 Series



For Support, Contact us at;

ConductRF/EAM
126 Merrimack Street,
Methuen, MA 01844

Tel 978 374 6840
email: Sales@ConductRF.com

