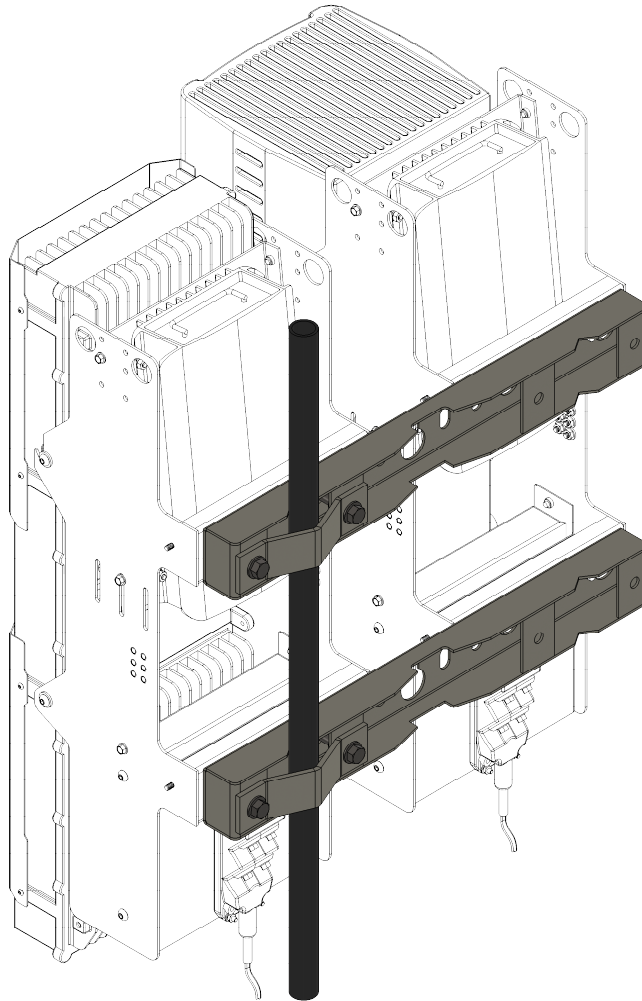




## DBL-PIPE-1



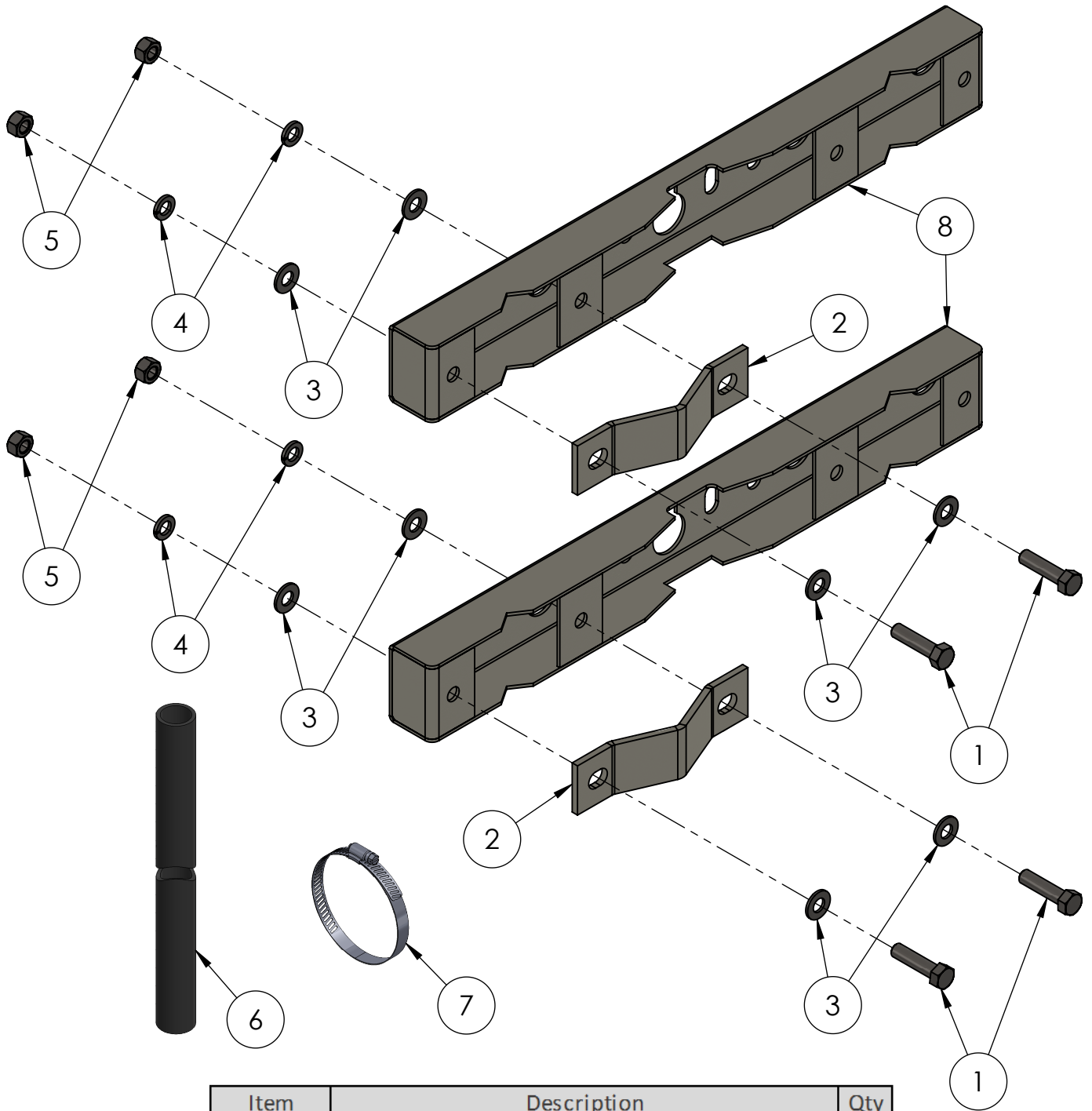
Wireless Construction, Inc. 40 | Blake Road, Standish ME 04084  
[www.wcitowers.com](http://www.wcitowers.com)

\*Contact: Kyle Purington at (207) 642-5751 or [kpurington@wcitowers.com](mailto:kpurington@wcitowers.com)

Rev1.0 -113016



# DBL-PIPE-1



Item	Description	Qty
1	1/2" x 2" Galv Hex Bolt	4
2	V400	2
3	1/2" Galv Flat	8
4	1/2" Galv Lock	4
5	1/2" Galv Nut	4
6	36" Long 1" Schedule 40 Pipe	1
7	1"-4" Adjustable Hose Clamp	2
Item	Not Included	Gty.
8	V124	2