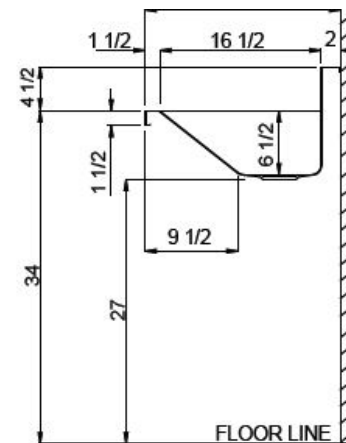
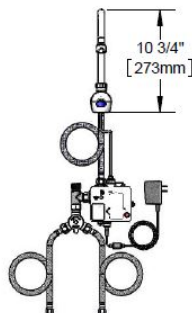
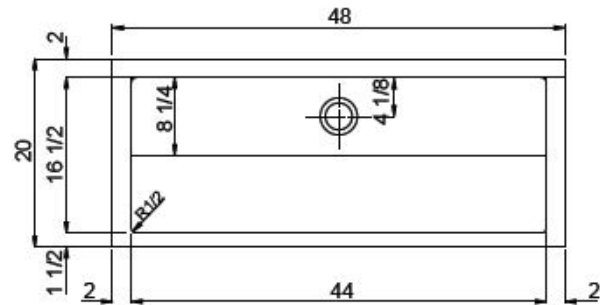
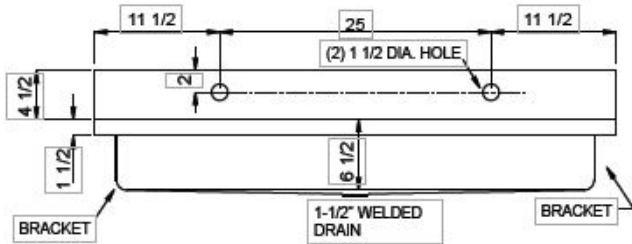


Wicketts Stainless

SPECIFICATION

Commercial Sink Heavy Duty
ADA Wash Sink



Model Number	L	W	L1	D	W1	BS
WWT-4820-JH-ADA-S	48	20	44	6.5		4.5

Engineering Specification:

14 gauge, type 304 stainless steel wash sink. Top 2" flat rims. 1 1/2" welded in grid drain. Exposed surfaces polished to a satin finish. Supported on (2) wall brackets and clips.

WICKETTS WASH SINKS .COM

WARNING: Cancer and Reproductive Harm
www.P65Warnings.ca.gov

Wicketts Stainless, INC
825 S. LAKEVIEW AVE UNIT C
PLACENTIA, CA 92870
Tel: 949-438-75352
Fax: 951-638-9059
www.wickettsstainless.com
sales@wickettsstainless.com



Approved for Manufacturing
Company: _____
Signature: _____
Print: _____ Date: / /