



A Division of **TUXEDO** Distributors, LLC.

Paint Spray Booths

Open Front Booth / Tilt Panel Installation & Maintenance Manual

Tuxedo Distributors, LLC.

iDEAL Open Front Paint Spray Booth (PSB-AFOFB1388-AK)

iDEAL Open Front Paint Spray Booth (PSB-AFOFB1388-AK)

1. INTRODUCTION

1.1 Introduction.....	4
1.2 Receiving, Unpacking, and Reporting Missing Items.....	4

2. SAFETY

2.1 Safety Alert Symbol and Signal Words	5
2.1.1 Assembly Hazards.....	5-6
2.1.2 Operational Hazards.....	6-7
2.1.3 Maintenance Hazards.....	7
2.1.4 Fire Hazard.....	8
2.2 NFPA 33	8

3. COMPONENT DESCRIPTION

3.1 Compliance to Applicable Codes.....	8
3.2 Material Specifications.....	8
3.3 General Description	8
3.3.1 Paint Area.....	8
3.3.2 Exhaust Fan and Chambers.....	9
3.3.3 Product Doors.....	9
3.3.4 Door Latch.....	9
3.3.5 Door Limit Switch.....	9
3.3.6 Air Make Up Unit (Optional)	9
3.3.7 Intake Plenum / Canopy (Optional).....	9
3.4 Exhaust Filter Manometer	9
3.5 Air Solenoid Valve.....	9
3.6 Control Panel.....	9

4. INSTALLATION

4.1 General.....	10
4.2 Preliminary	10
4.3 Planning Ahead.....	10
4.4 Basic Booth Assembly.....	10-12
4.5 Light Fixtures.....	12-13
4.6 Manometer.....	14-16
4.7 Exhaust Filter Installation.....	17
4.8 Intake Filter Installation.....	17
4.9 Motor Installation.....	18
4.9.1 Mounting.....	18
4.9.2 Install Sheaves and Fan Belts.....	18
4.9.3 Electrical.....	19
4.10 Tube Axial Fan.....	20
4.11 (Optional) Exhaust Duct Kit & Installation.....	20
4.12 (Optional) Air Solenoid Wiring.....	21
4.13 Control Panel Wiring Diagrams.....	21
4.14 Checklist.....	23

5. MAINTENANCE

5.1 Maintenance Interval Cart	23-24
5.2 Daily.....	24
5.2.1 Inspect Filters	24
5.2.2 Filter Maintenance	24
5.2.3 Determine Filter Condition	24
5.3 Every Two Months.....	25
5.3.1 Lubricate Door Latches	25
5.4 Every Six Months	25
5.4.1 Check Fan Belts	25
5.5 Every Year.....	25
5.5.1 Inspect Motor.....	25
5.5.2 Inspect Fan Wheel.....	25
5.5.3 Inspect & Clean Air Solenoid Valve.....	25

6. WARRANTY

6.1 Returning Items For Credit.....	26
6.2 Back Charges For Material And Labor	26

Please read and understand this manual before using your booth.

Thank you for your iDEAL Paint Spray Booth purchase!!

iDEAL Open Front Paint Spray Booth (PSB-AFOFB1388-AK)

1. INTRODUCTION

1.1 INTRODUCTION

This manual explains the basic assembly and routine maintenance of iDEAL Paint Spray Booths. It is essential to follow all of the safety instructions, along with keeping this manual with your Paint Spray Booth at all times.

The iDEAL Paint Spray Booths consist of four major components, depending on the model:

- Paint Booth
- Product Doors
- Exhaust Fan(s), Chambers and/or Chimney Stacks
- In some cases, an Air Make-Up Unit (AMU)

A brief description is provided for these and other related items.

The text contained in this manual is for current production models. Some instructions and maintenance procedures may not apply to your specific unit. Equipment modifications from original design and specifications are strictly prohibited. Modifications may compromise safe operation of the booth, subjecting users to serious injury or death and may void any remaining warranty. This Operator's Manual does not replace, nor does its release the operator from observing all safety operating limitations as well as any applicable federal, state, provincial or local regulations.

1.2 RECEIVING, UNPACKING, AND REPORTING MISSING ITEMS

Tuxedo Distributors (iDEAL) will do everything possible to ensure you receive your equipment on time, free from damage and with all required parts. Per company policy, two independent checks are performed to verify each item against the packing list. However, since we are shipping by common carrier, the following procedures must be followed:

When receiving and unloading equipment check for damage. Note on Bill of Lading "FREIGHT DAMAGE."
Notify the Tuxedo Distributors customer service department immediately (on day of delivery) of any damage.

Unpack all items and verify against packing list within ten (10) days of receipt. Notify Tuxedo Distributors customer service department of missing items and discrepancies immediately (within 10 days at the latest).

If there are any missing items from your shipment, they will be shipped as follows:

Items that can be shipped UPS usually take from one to three days to receive, depending on distance. Items too large for UPS will ship via common freight. This shipping method typically takes from one to five days to reach the destination. Tuxedo Distributors will not pay for overnight freight on missing items. If overnight freight is necessary, the buyer shall be accountable for overnight freight costs.

If Tuxedo Distributors determines that the reported shortage was checked off in our records, replacement parts will be shipped AND invoiced accordingly.

During the warranty period, Tuxedo Distributors will have the option to repair or replace, free of charge, any parts that Tuxedo Distributors has verified to be defective in materials or workmanship. If inspection of the equipment does not disclose any defect in workmanship of material, repaired or replacement parts will be offered at a reasonable price, which will include the costs of labor, materials, and transportation.

2. SAFETY

2.1 SAFETY ALERT SYMBOL AND SIGNAL WORDS

Before assembling, operating, or servicing the spray booth, you must read, understand, and follow the instructions and safety warnings in this manual. Your spray booth may not be equipped with some of the optional equipment described in this manual.

NEVER ALLOW ANYONE TO OPERATE THIS EQUIPMENT WITHOUT PROPER TRAINING!

The safety information in this manual is denoted by the safety alert symbol:

The level of risk is indicated by the following information:

DANGER

DANGER - Indicates a hazardous situation, which, if not avoided, **WILL** result in death or serious injury.

WARNING

WARNING - Indicates a hazardous situation, which, if not avoided, could result in death or serious injury.

CAUTION

CAUTION - Indicates a hazardous situation, which, if not avoided, could result in minor or moderate injury.

NOTICE

NOTICE - Indicates a situation that could result in damage to the equipment or other property.

2.1.1 Assembly Hazards

WARNING

Prevent serious injury or death.

Overriding a safety system may result in unsafe equipment, which may result in serious injury or death.

Do not override safety devices.

WARNING

Blade hazard. Keep hands clear of rotating parts.

Follow lockout procedure before servicing.

⚠ WARNING

Prevent serious injury or death.

Use adequate lifting devices to raise, move and install booth components.

⚠ WARNING

Prevent serious injury or death.

Electrical installations must be performed by qualified electricians.

Installation must conform to all national, local, and provincial codes and standards.

2.1.2 Operational Hazards

⚠ WARNING

Prevent serious injury or death.

Do not operate machine with guards and/or covers open or removed.

⚠ WARNING

Prevent serious injury or death.

Only trained and qualified personnel may operate booth.

⚠ WARNING

Prevent serious injury or death.

Never operate spray booth while under the influence of drugs, alcohol or while feeling ill.

⚠ WARNING

Prevent serious injury or death.

Always wear personal protective equipment (PPE) appropriate for job.

Read Material Safety Data Sheet for products used in spray booth.

⚠ WARNING

Shock hazard.

Only a qualified electrician may open electrical control cabinet.

Disconnect and lockout / tagout all power sources before adjusting, repairing, or cleaning booth.

2.1.3 Maintenance Hazards

⚠ WARNING

Prevent serious injury or death.

Disconnect and lockout / tagout all power sources before adjusting, repairing, or cleaning booth.

⚠ WARNING

Prevent serious injury or death.

Service, maintenance and adjustments must be performed by trained and qualified personnel.

⚠ WARNING

Burn hazard. Do not touch hot parts.

Allow to cool before servicing.

⚠ WARNING

Prevent serious injury or death.

Always wear personal protective equipment (PPE) appropriate for job.

Read Material Safety Data Sheet for products used in spray booth.

iDEAL Open Front Paint Spray Booth (PSB-AFOFB1388-AK)

2.1.4 Fire Hazard

No smoking or open flame in or near spray booth. Local fire codes prohibit smoking in the vicinity of spray painting operations.



DO NOT STORE FLAMMABLE LIQUIDS ADJACENT TO OR INSIDE SPRAY BOOTH. READ ALL PRODUCT LABELS AND INSTRUCTIONS. DO NOT USE ANY ELECTRIC POWERED AIRLESS SPRAY RIGS, PRESSURE WASHERS OR SIMILAR EQUIPMENT WHEN APPLYING A LOWFLASH POINT SOLVENT OR PEEL COATING. RUN SPRAY BOOTH EXHAUST FAN TO PURGE DANGEROUS VAPORS THAT COULD IGNITE OR EXPLODE WHILE CLEANING OR PERFORMING MAINTENANCE INSIDE SPRAY BOOTH.

AN APPROVED FIRE PROTECTION SYSTEM MUST BE INSTALLED ON YOUR SPRAY BOOTH TO COMPLY WITH NFPA 33, SECTION 9. PORTABLE FIRE EXTINGUISHERS MUST BE LOCATED IN OR AROUND YOUR PAINT MIX ROOM PER NFPA 10.

2.2 NFPA 33-2011

The NFPA 33-2011, Standard for Spray Application Using Flammable or Combustible Materials, Copyright © 2010, National Fire Protection Association can be freely accessed & viewed online at:

<http://www.nfpa.org/codes-and-standards/document-information-pages?mode=code&code=33>

3. COMPONENT DESCRIPTION

3.1 COMPLIANCE TO APPLICABLE CODES

This Spray Booth is designed to be in accordance with the National Fire Protection Association standard NFPA 33 "Spray Application Using Flammable Combustible Materials. The NFPA Standard Safety Code for the Design, Construction and Ventilation of Spray Finishing Operations." This spray booth meets or exceeds the requirements of the Occupational Safety and Health Administration (OSHA).

3.2 MATERIAL SPECIFICATIONS

The spray booth panels, filter racks and product doors are constructed of 18-gauge steel, conforming to ASTM A527 "Lock Forming Quality". All structural steel conforms to ASTM A36.

3.3 GENERAL DESCRIPTION

The spray booth consists of four major components: paint area, exhaust fan and chamber, product doors and, in some cases, an air make-up unit. A brief description is provided for these and other related items.

3.3.1 Paint Area

The paint area is the actual "booth" part of the spray booth. Parts are placed in this area, through product doors, if so equipped, to be painted. Air flows from the intake filters of the booth to the exhaust filters. The booth is constructed of 18-gauge galvanized sheet metal panels which are bolted together. The booth exhaust is routed through the exhaust chamber at the side or end of the booth. The exhaust fan(s) then routes the exhaust out through the exhaust duct(s) and discharges it at a point above the roof height of the building.

iDEAL Open Front Paint Spray Booth (PSB-AFOFB1388-AK)

3.3.2 Exhaust Fan And Chambers

The booth exhaust chamber(s) is/are located as shown in the mechanical drawing package included with this manual. Exhaust gases are pumped through the exhaust duct by an electrically powered fan. The fan is made of spark resistant material and the motor is located out of the air stream. The exhaust chamber(s) operate(s) under a negative pressure to induce the required airflow through the exhaust filters.

3.3.3 Product Doors

The product doors can be filtered or solid and may be either Tri-Fold or Bi-Fold Doors. Some industrial spray booths have an open front in lieu of product doors.

3.3.4 Door Latch

Door latches secure doors in closed position and hold contact against rubber seal. Latches are pressure relief latches that allow doors to open in case of explosion. This feature also allows for ease of booth operator egress from spray booth by applying moderate pressure to the door from inside booth.

3.3.5 Door Limit Switch

The micro switch to indicate when a door is open on the booth. If a door is in the open position, micro switch contact is opened which breaks the circuit for the paint air solenoid.

3.3.6 Air Make Up Unit (Optional)

The air make up unit (AMU) supplies filtered, heated atmospheric air. This unit may be heated by natural gas, LP gas, steam coils or hot water coils. The temperature of the AMU discharge air is controlled by a thermostat. The airflow capacity of the fan and motor are matched to the airflow capacity of the spray booth exhaust fans. Some air makeup units also have the capability to provide a paint cure cycle. This cycle, employed after the paint spraying operations are complete, typically involves supplying air that is heated to the paint area of the booth to decrease paint cure times.

3.3.7 Intake Plenum / Canopy (Optional)

The box-like structure through which (heated) air is brought into the spray booth and typically used in conjunction with the Air Make Up Unit. May be vertical and located at one end of the booth, or horizontal using part or all of the ceiling inside the booth.

3.4 EXHAUST FILTER MANOMETER

Manometer is used to measure pressure drop across exhaust filters to indicate the condition of the filters.

3.5 AIR SOLENOID VALVE

The function of this valve is to interrupt supply of compressed air to painting equipment under certain conditions. This is done to prevent painting from occurring when booth is not operating as designed or if any booth doors are open. Air solenoid valve is electrically interlocked with booth intake and exhaust fans. If limit switches are purchased or included, it is also interlocked with product doors and personnel doors. If a fan is not operating properly, or if a door is open for longer than a few seconds, air solenoid valve will shut off flow of pressurized air to spray gun. Unit should be installed downstream of any regulators and filters and upstream of painting equipment. It should be located near fitting to which painting equipment connects in order to insure rapid loss of supply pressure.

3.6 CONTROL PANEL

Paint spray booth may be equipped with an optional electrical control panel. Please refer to electrical control drawings for electrical schematic located inside the Control Panel. Also shown on this drawing is the wiring required for installation. No spare parts are provided with Control Panel. The Control Panel and its associated wiring should be installed by a licensed electrician. The cabinet that houses controls is NEMA 1 and is not suitable for installation in a Class I, Division II area. Refer to Chapter 6 in the NFPA 33-2011 Standard and consult with the local authority having jurisdiction for definition of this area for paint spray booth.

4. INSTALLATION

4.1 GENERAL

This manual is a guide for installing a variety of different spray booths and configurations. The assembly drawings enclosed are specific for the booth you have purchased. The drawings include exploded isometric drawings showing the relationship of each panel or part to the next one. The BOM / Packing List of all components is provided and must be used in addition to the drawing to identify all components.

NOTE: All DAMAGES MUST be reported within 24 hours of receipt and a freight claim filed with the carrier.

4.2 PRELIMINARY

iDEAL booths are manufactured in accordance with NFPA 33, UFC 45 and NEC 516. However, local codes and regulations may apply to the installation and use of this product. All permits and approvals must be obtained prior to installation and use of the spray booth.

1. Uncrate and inventory all spray booth components to ensure all of the parts are accounted for. Each component is numbered on the exploded view.
2. The floor surface of the booth must be non-combustible material of such character as to facilitate the safecleaning and removal of residues. The floor surface must be flat and level.
3. Mark the dimensional outline of booth on floor.
4. Follow the step-by-step instructions provided.

4.3 PLANNING AHEAD

1. Clearances between other work areas and combustible storage areas must be held as follows:
 - 3 ft. minimum clearance at all sides and sealed entry ways (i.e., doorways).
 - 3 ft. minimum clearance at all non-sealed entry ways - (i.e. the open face of spray booth or a silhouette openings).
 - 10 ft. minimum clearance must be held between the exhaust stack of the booth and the intake of another apparatus. NFPA 33-2011 dictates a minimum discharge clearance of 3 ft. from the nearest combustible material; however, stack height requirements vary with individual states and can be up to 1½ times the building's roof height from grade.
 - 10 ft. minimum clearance must be held between the intake of this booth and the exhaust of any other apparatus.
2. Permits are not included. **It is the responsibility of the end user to acquire all permits to install a booth.**
3. A FIRE SUPPRESSION SYSTEM IS NOT INCLUDED WITH THE BOOTH BUT IT IS TYPICALLY REQUIRED. Generally, this is supplied and installed by a licensed local installer.
4. Electrical installation should be performed by a licensed electrician familiar with national, local electrical codes and regulations in your location.

4.4 BASIC BOOTH ASSEMBLY

When assembling booth, leave bolts finger tight until each section is assembled. All panel flanges should face outward. Install bolts from inside, so nut is outside of booth. Use a drift pin to align panel holes when two or more panels are difficult to align by hand. Lay out booth footprint on floor using chalk lines to be sure booth will fit the area properly, so that exhaust duct(s) will penetrate roof where desired and any associated items will work and fit with the booth.

iDEAL Open Front Paint Spray Booth (PSB-AFOFB1388-AK)

⚠ WARNING

Prevent serious injury or death.

Most booth components weigh 50-500 lbs.

Use adequate lifting devices to raise, move and install booth components.

NOTICE

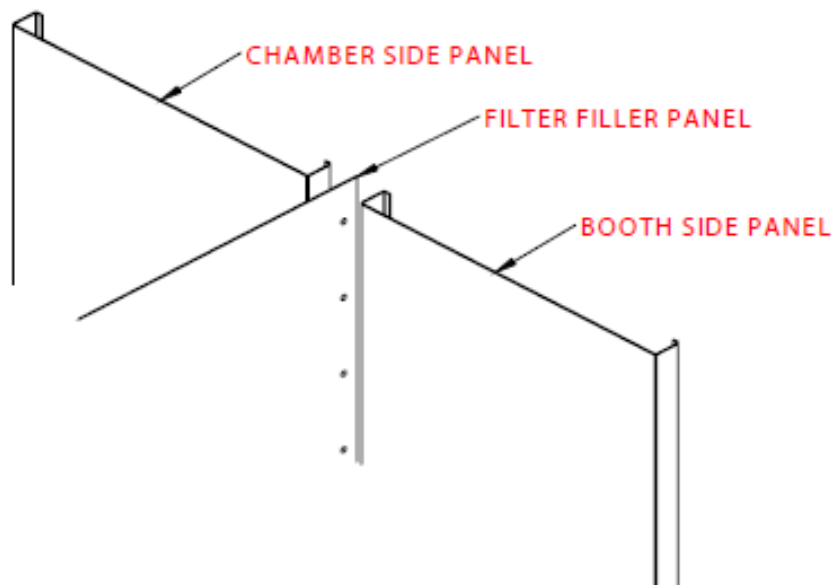
Prevent equipment damage.

Spray booth roof will not support a person. Do not attempt to stand or walk on spray booth roof.

NOTE: Also refer to exploded view drawings included with your spray booth for installation details.

Basic Installation - First Section:

1. Determine where booth will be constructed (determine where exhaust stack will exit through the roof) and where Side Door will be placed.
2. Use chalk lines to place booth layout on the floor.
3. Layout all floor channels for exhaust chamber and walls. As you attach wall panels together, they will also bolt to the floor channel.
4. Starting with exhaust chamber at either rear corner, bolt one corner panel and one rear wall corner panel together.
5. Bolt opposite rear sidewall panel to rear wall panel.
6. Bolt all rear wall panels in place.
7. Bolt tie channel along top edge of rear wall panels.
8. Place exhaust fan panel above side and rear wall panels and bolt in place.
9. Insert filter filler panels between sidewall, roof panels and exhaust chamber. Bolt in place.



iDEAL Open Front Paint Spray Booth (PSB-AFOFB1388-AK)

10. Following exploded view drawings, continue alternately assembling wall panels and roof panels to each other until you reach front end of booth.
11. Verify walls are at correct angle and booth is square and on floor layout marks. Tighten all mounting hardware.
12. Anchor floor channel to floor at a minimum of every 12 inches.
13. Caulk all panel joints inside the booth with the acrylic latex caulk provided. Do not use a silicone caulk.

4.5 LIGHT FIXTURES

⚠ WARNING

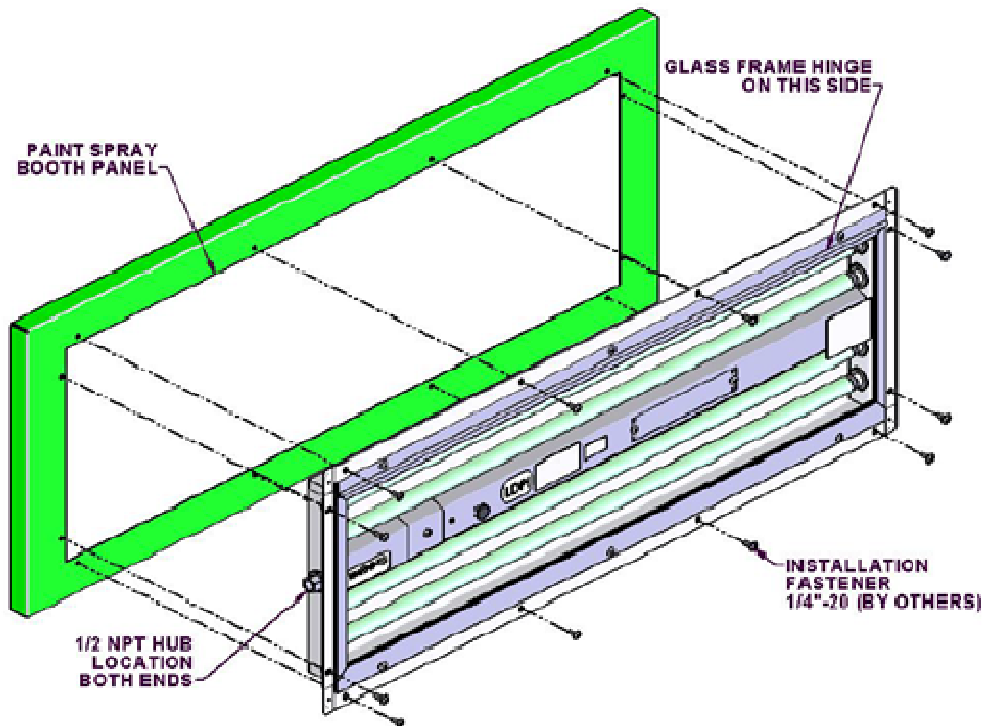
Prevent serious injury or death.

Electrical installations must be performed by qualified electricians.

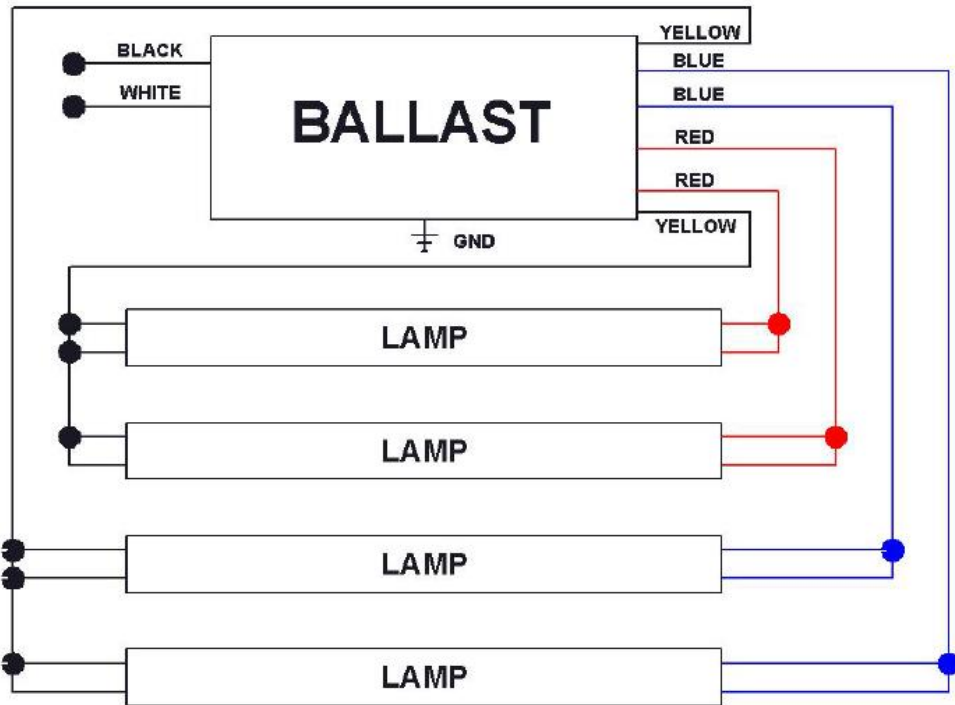
Installation must conform to all national, local, and provincial codes and standards.

CLASS I DIV II LIGHTS

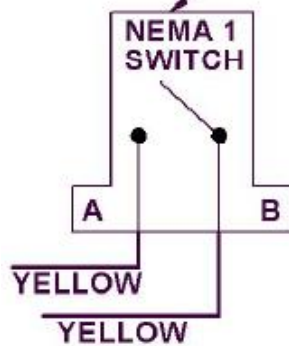
1. Place light fixture through booth ceiling panel and line up with mounting holes.
2. Install bolts through light and panel holes and secure using nuts on outside of ceiling panel.
3. The fixture is provided with an interlock switch that has a normally open contact, which opens when the fixture lens is removed from fixture. The switch is to be wired to disable spray equipment used in spray booth.



**CLASS I DIV II LIGHTS
(ELECTRICAL)**



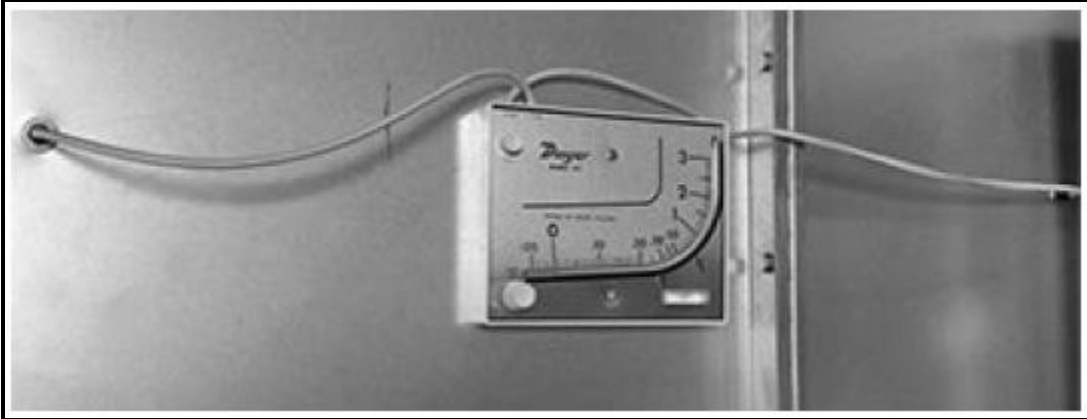
**INTERLOCK SWITCH TO BE WIRED
IN SUCH A WAY THAT IT DISABLES
PAINT SPRAY EQUIPMENT WHEN
LIGHT IS ACCESSED FROM INSIDE
OF THE PAINT SPRAY BOOTH.**



iDEAL Open Front Paint Spray Booth (PSB-AFOFB1388-AK)

4.6 MANOMETER

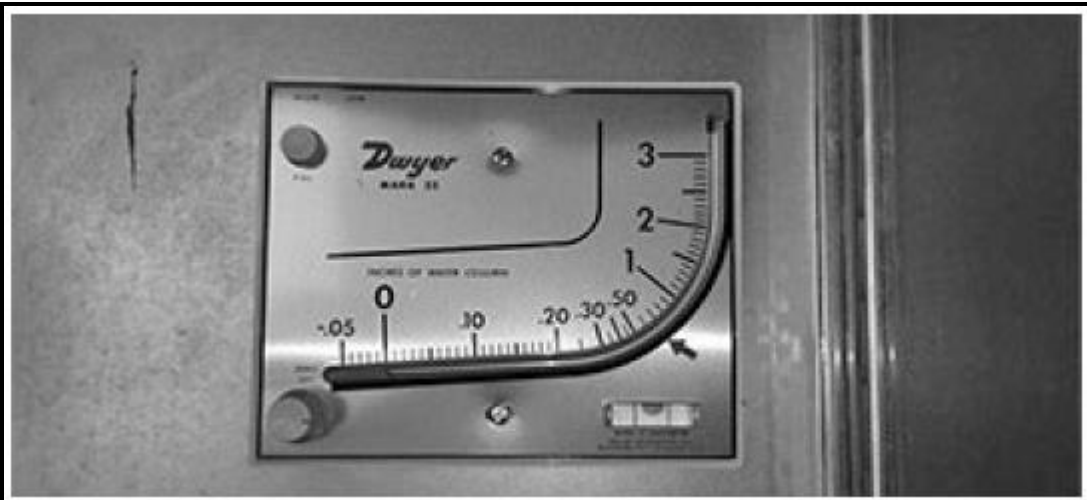
Located manometer on booth where it can be easily be read daily by the paint department. Install close to exhaust filter wall to keep tubing length to a minimum. Excess tubing length will reduce accuracy of the manometer. The high port will connect to work chamber, and the low port will connect to chamber on the suction side of the filter grid.



1. Drill a hole in booth wall just large enough for the plastic hose barb to fit through (approx. 13/32). Install washer and nut on back side. Do not over tighten.

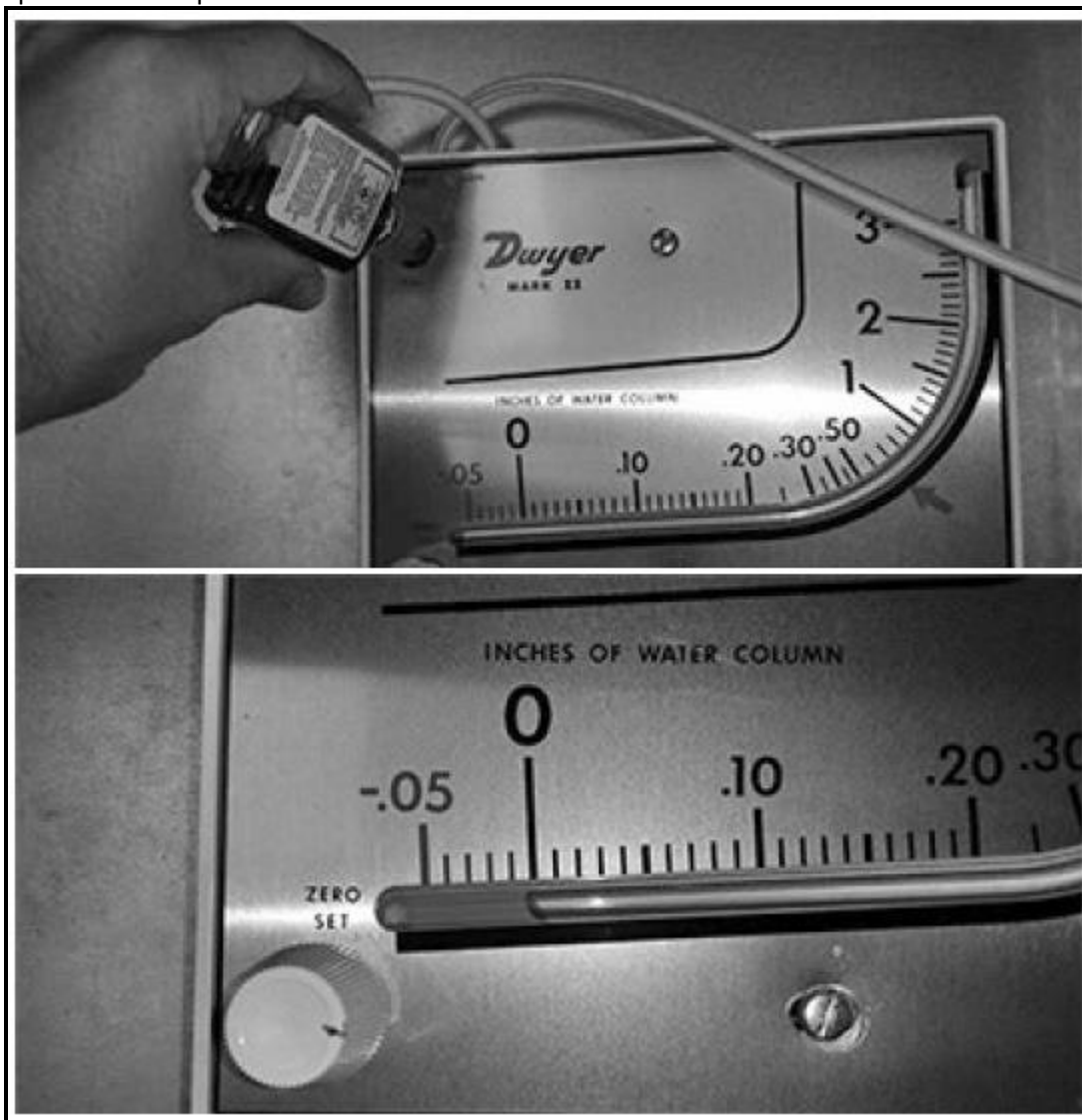


2. Mount manometer on booth wall and ensure it is level using bubble level on manometer. Manometer must be level, or it will not be accurate.



iDEAL Open Front Paint Spray Booth (PSB-AFOFB1388-AK)

3. Turn "Zero Set" knob counterclockwise until it stops, then turn knob clockwise 3 full turns. This will place the adjustment knob in the middle of its travel range. Remove fill plug at top of manometer and slowly fill with red fluid. You will not need the entire bottle. Stop filling as soon as you can see the red fluid enter clear tube at bottom of the manometer. Turn "Zero Set" adjustment knob to set red fluid on 0 mark. If you overfill gauge, remove excess fluid by inserting a pipe cleaner through fill port to soak up excess oil. Once the red fluid is set on zero, replace the fill cap.



Complete booth assembly and then perform steps 4-6 to set manometer

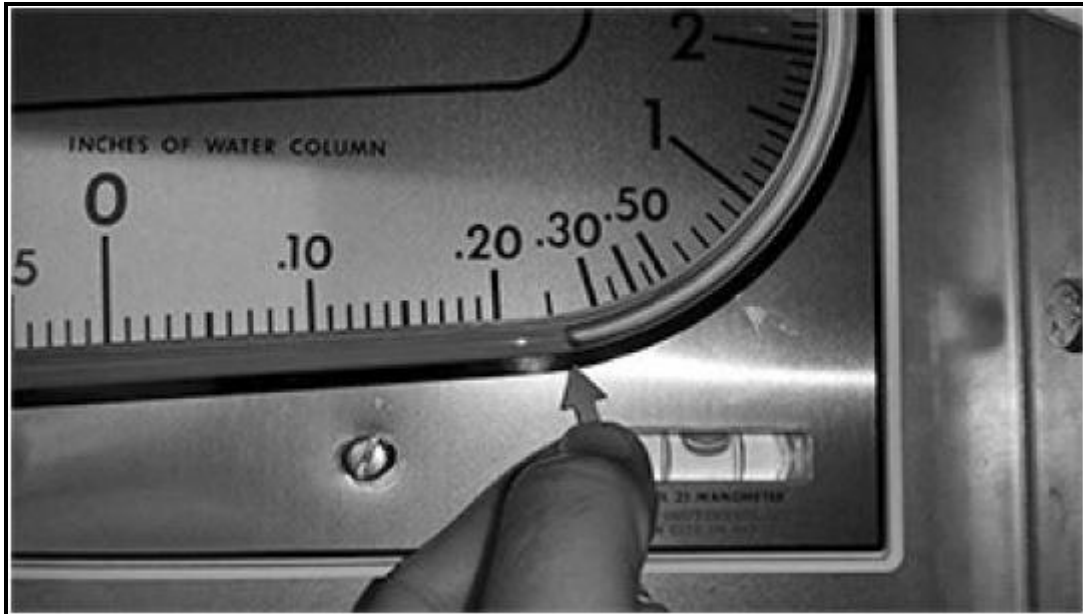
IMPORTANT: All filters in the booth must be installed and new in order to get an accurate baseline.

4. Turn on exhaust fan. If exhaust fan is connected to a VFD to control the speed of the fan, make sure it is set to run at full speed. You will notice the red fluid should move up the scale and then settle at a number. The number will be different from booth to booth, but that does not matter, this is just a baseline setting.

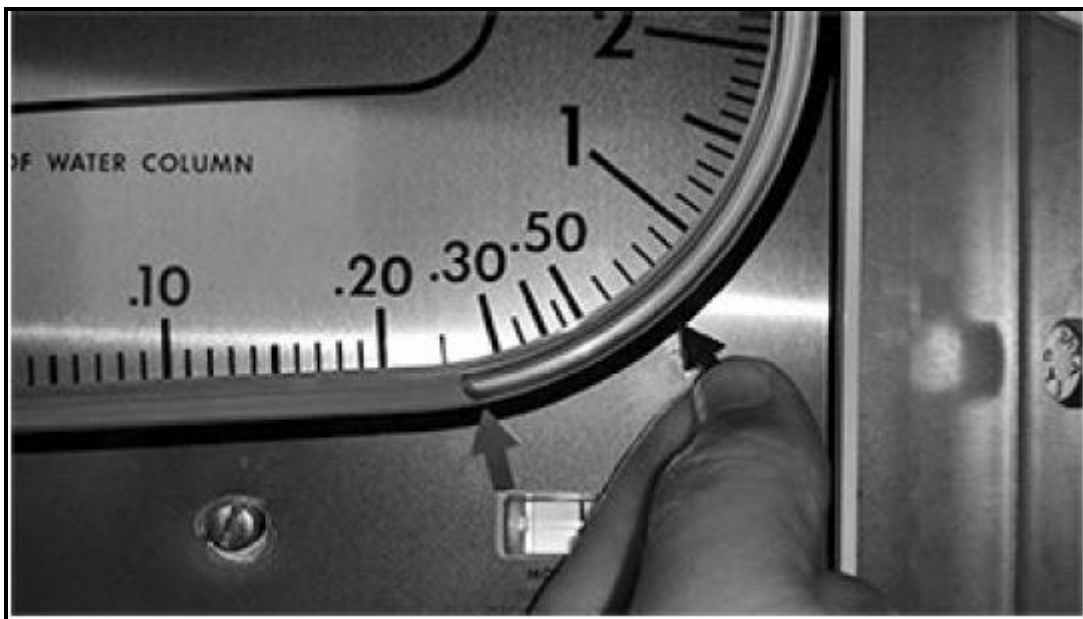
iDEAL Open Front Paint Spray Booth (PSB-AFOFB1388-AK)

- Wherever the red fluid stops is where you will place the green arrow. In this example, the red fluid stopped at .25 inches of water column. So because we know our filters are rated for .5 inches of water column, and we know that with clean filters the fan is drawing .25 inches of water column, we simply add the two numbers together to tell us where the filters will pack out.

Note: 25 inches of water + .5 inches of water = .75 inches of water total



- Now that baseline is set, measure up the scale .5 inches of water. That is where you will place the red arrow.

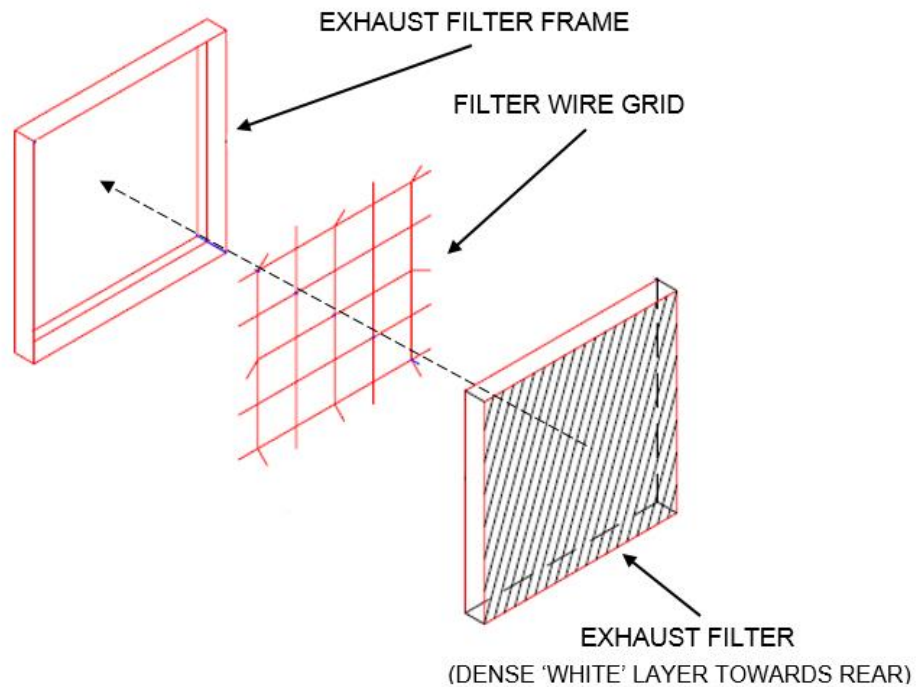


At this point, your manometer is set up and ready to use. You should never need to move the arrows once they are placed. Always check the manometer before turning the fan on to ensure the red fluid is sitting on the 0 mark. If the fluid is not on 0, turn "Zero Set" knob to adjust fluid to zero before starting fan.

iDEAL Open Front Paint Spray Booth (PSB-AFOFB1388-AK)

4.7 EXHAUST FILTER INSTALLATION

Install one wire grid in each filter cell with prongs facing towards inside of booth. Exhaust filters will be attached to prongs, as shown below.



(NOTE: Install Exhaust Filters with the green shaded color towards inside of Booth)

4.8 INTAKE FILTER INSTALLATION

The Open Front Booth does NOT require Intake Filters.

4.9 MOTOR INSTALLATION

Couplings, drive belts, chains or other mounted devices must be in proper alignment, balanced and secure for safe motor operation.

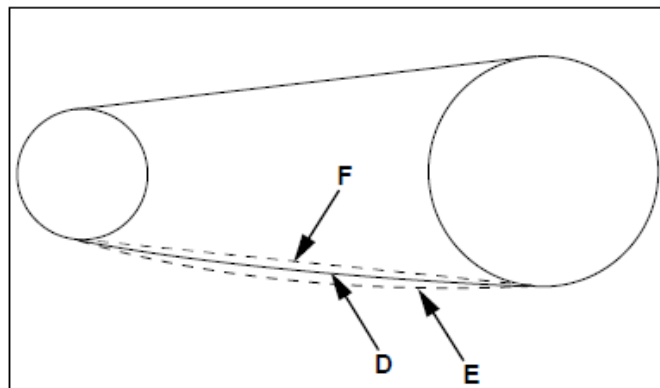
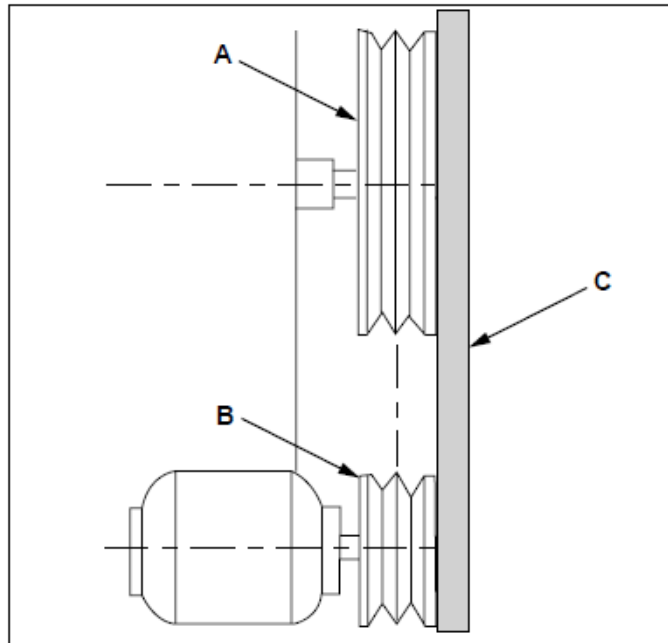
4.9.1 Mounting

This motor must be securely mounted. Sufficient ventilation must be provided to insure proper operation.

4.9.2 Install Sheaves And Fan Belts

1. The fan sheave (A) and motor sheave (B) must be in axial alignment. Shafts must be parallel in both vertical and horizontal planes.
2. The sheaves must be in radial alignment. When sheaves are of equal width, align with a straightedge (C). When sheaves are of unequal width, align center of sheaves.
3. Check fan belts for proper tension and for signs of wear. Belt should have a slight sag at bottom of sheaves.

NOTE: Belt (D) is properly adjusted. Belt (E) is too loose. Belt (F) is too tight.



iDEAL Open Front Paint Spray Booth (PSB-AFOFB1388-AK)

4.9.3 Electrical

⚠ WARNING

Prevent serious injury or death.

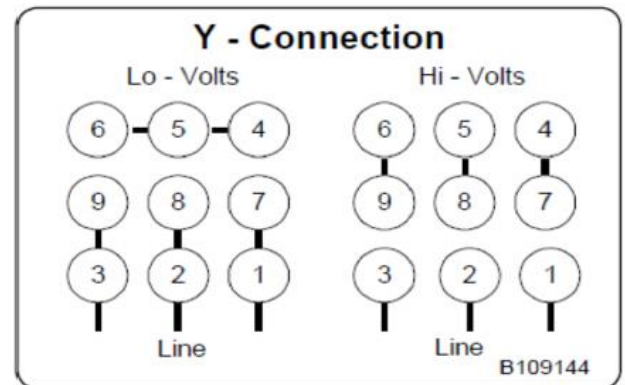
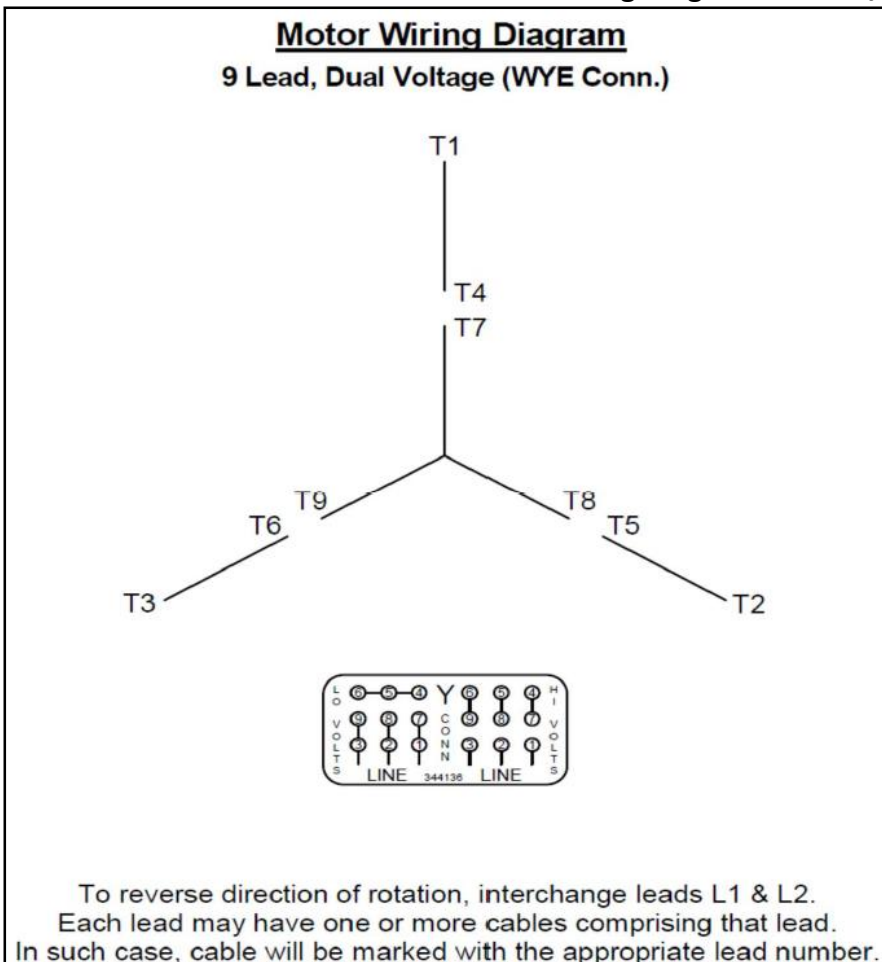
Electrical installations must be performed by qualified electricians.

Installation must conform to all national, local, and provincial codes and standards.

Complete booth assembly and then perform steps 1-4 below to connect electrical service to motor
(NOTE: iDEAL does not recommend using 120V single phase on motors above 1HP)

1. Determine voltage at your facility.
2. If a control panel was sent with this booth, confirm that the voltage and phase on the control panel matches the voltage and phase you intend to use.
3. Ensure the wiring diagram below matches your voltage, phase, and HP.
4. Locate the rotation arrow on the fan and verify belts are rotating in the direction of the arrow. If the belts are not rotating in the direction of the arrow, reverse the motor.

Motor Wiring Diagram 208-230/460 Volt, 3-Phase, 2 HP



Dayton Part No. 2NKY3A		INDUSTRIAL MOTOR CC 030A		NEMA Premium	
SHAFT END BRG 6205-2Z-J/C3	TYPE UTE		DPP END BRG 6203-2Z-J/C3		
FR 143-5T/56HZ	PH 3		ENCL TE		
INSUL CLASS F	MAX AMB 40 °C		ID#		
DUTY CONT		WT 35 LB		BAL	
HZ 60	HP 2.00	RPM 1750	HZ 50	HP 2.00	
SF 1.25	DESIGN B CODE M		SF 1.00	DESIGN B CODE J	
GUARANTEED EFFICIENCY 84.0		MAX KVAR 1.2	GUARANTEED EFFICIENCY 81.5		MAX KVAR 1
NEMA NOM EFFICIENCY 86.5		NOM PF 76.1	NEMA NOM EFFICIENCY 84.0		NOM PF 81.7
VOLTS 208-230/460		FL AMPS 5.9-5.7/2.8	VOLTS 190/380		FL AMPS 6.6/3.3
SF AMPS 6.7/3.3			SF AMPS		
644771-002 MADE IN MEXICO OF IMPORTED AND DOMESTIC COMPONENTS					
Mfd. for Dayton Electric Mfg. Co. Lake Forest, IL 60045 USA					

4.10 TUBEAXIAL FAN

⚠ WARNING
Fan assembly is heavy.
Fan assembly weight is approximately 50 - 200 lbs., depending on model. Use and adequate lifting device to install fan assembly.
⚠ WARNING
Prevent serious injury or death.
Electrical installations must be performed by qualified electricians.
Installation must conform to all national, local, and provincial codes and standards.

The fan and motor assembly bolts to the top of the Exhaust Chamber Roof Panel

4.11 OPTIONAL - EXHAUST DUCT KIT & INSTALLATION

If equipped with optional exhaust ductwork, it is recommended to have this professionally installed.

(Storm Collar & Roof Flange sold separately)

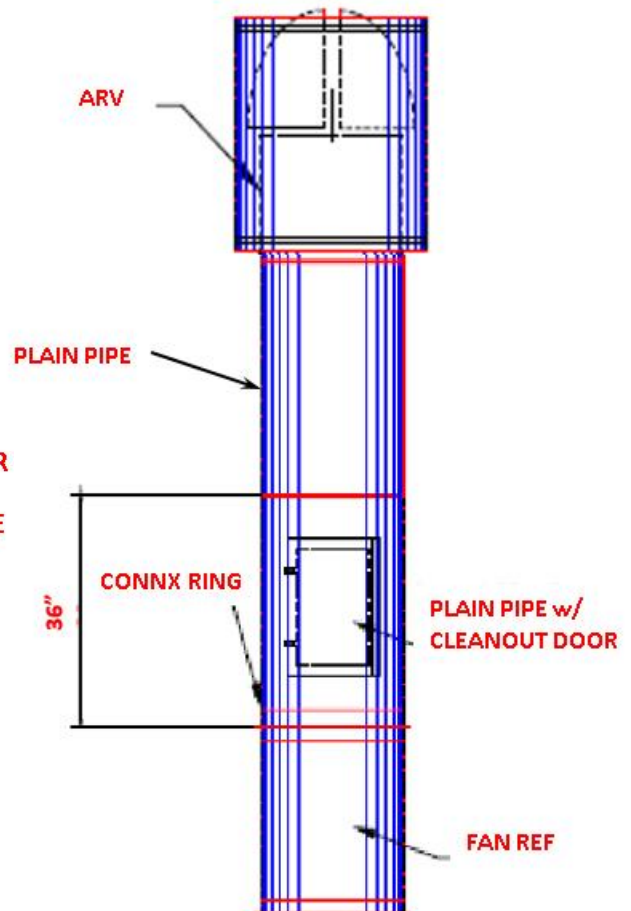
To assemble the ductwork:

1. Bolt pipe with connecting ring to the exhaust fan.
2. Remaining ductwork is crimped on one end to interlock with the next section.
3. Your ARV (automatic damper) will be mounted on top.
4. Storm collar will attach to duct above flashing to make it weatherproof.



Special Note:

Where more than 25 ft. of piping is required, static pressure (resistance) is increased, and the air flow may be hindered when using the standard exhaust unit recommended for use with the booth. Where a piping arrangement of an unusual nature is necessary or where two or more elbows are used, a similar condition may exist. Therefore, if either of these situations arises, contact the iDEAL Rep. for recommendations. Exhaust piping, including the canopy (if used), should extend a minimum of 6' ft. above the highest point of building. There should be an access door just above



iDEAL Open Front Paint Spray Booth (PSB-AFOFB1388-AK)

exhaust unit and another just below each elbow.

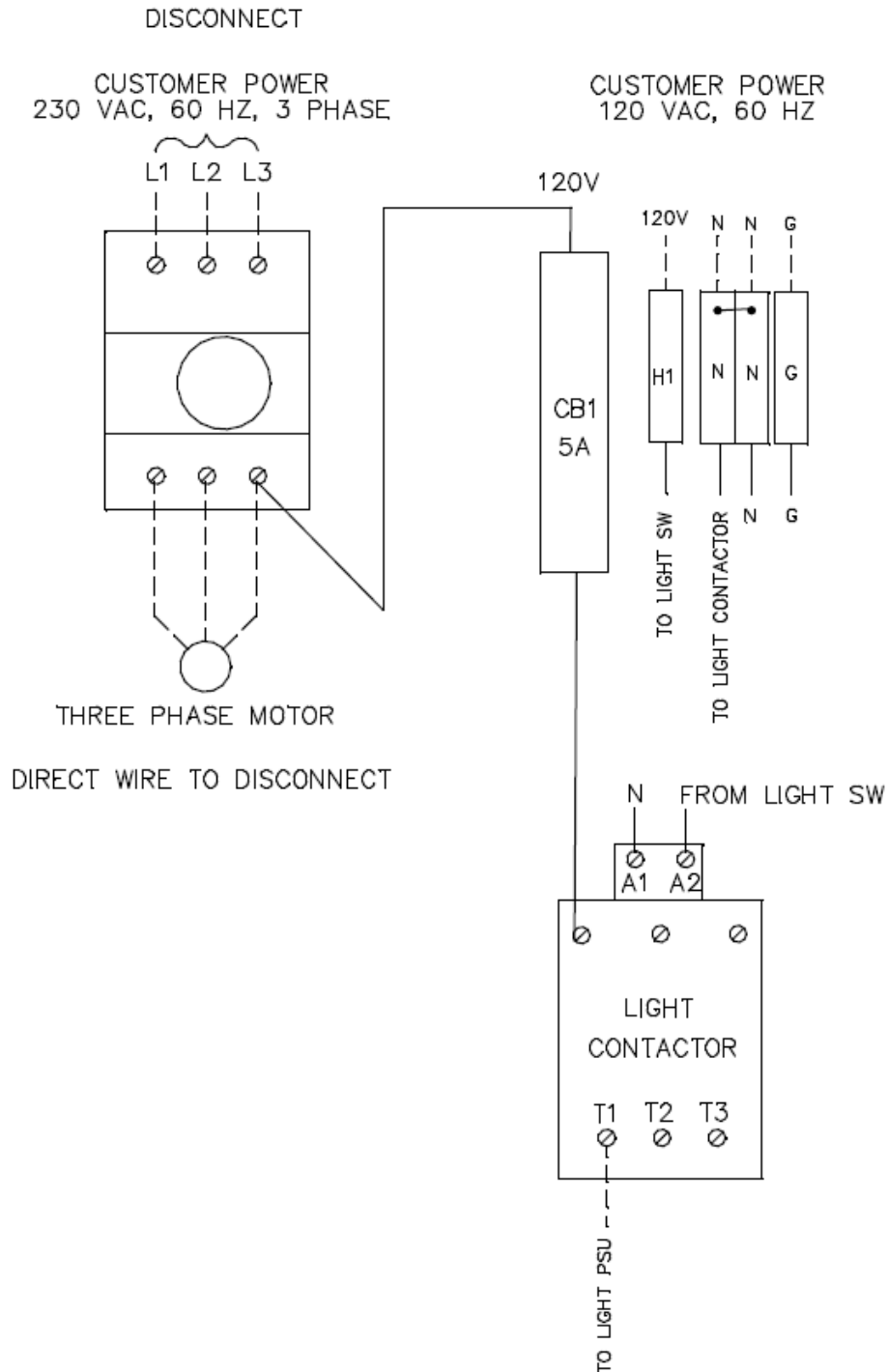
4.12 OPTIONAL - AIR SOLENOID WIRING

(Example only - Consult wiring diagrams supplied with your equipment for proper installation)

1. Obtain power and common from proper terminals in remote Control Panel and wire them to the Air Solenoid.
2. Air solenoid is now controlled by Control Panel in spray mode.

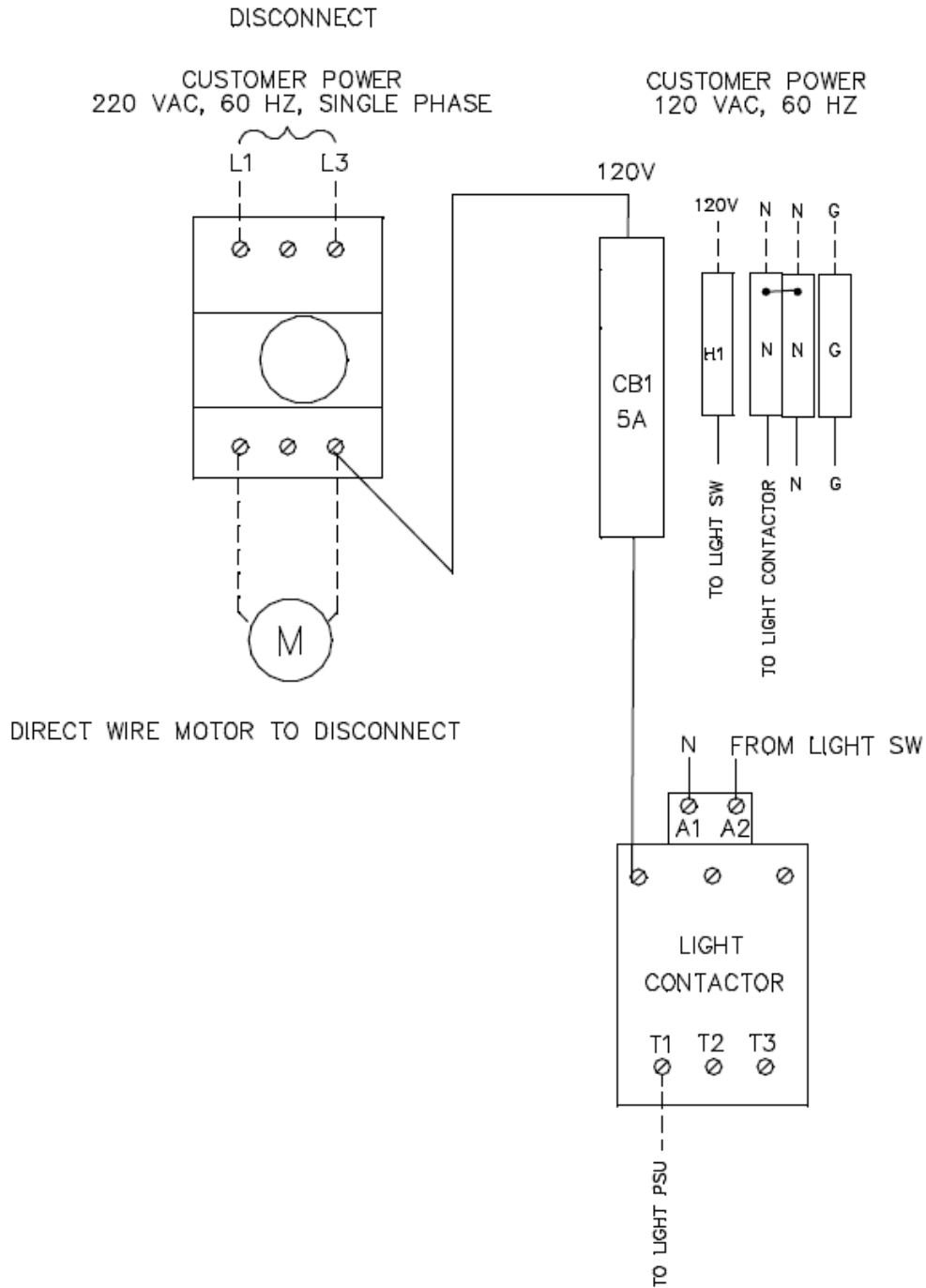
4.13 CONTROL PANEL WIRING DIAGRAMS

CONTROL PANEL WIRING DIAGRAM – 220VAC, 60HZ, 3 PHASE



iDEAL Open Front Paint Spray Booth (PSB-AFOFB1388-AK)

CONTROL PANEL WIRING DIAGRAM – 220VAC, 60HZ, 1 PHASE



4.14 CHECKLIST

Check the following items prior to start up:

1. Motor(s) wired for proper voltage.
2. All fan(s) and motor(s) turn freely.
3. Lubricate all bearings.
4. Check installation of exhaust fan for proper airflow direction. Generally, airflow is out of booth.
5. Listen for excessive or unusual noise when booth is operating.
6. With booth operating, open any door for 30 seconds and see if spray gun will shut down. This will verify proper safety operation of the booth.

5. MAINTENANCE

⚠ WARNING
Prevent serious injury or death.
Disconnect and lockout / tagout all power sources before adjusting, repairing, or cleaning booth.

⚠ WARNING
Prevent serious injury or death.
Service, maintenance and adjustments must be performed by trained and qualified personnel.

⚠ WARNING
Burn hazard. Do not touch hot parts.
Allow to cool before servicing.

⚠ WARNING
Prevent serious injury or death.
Always wear personal protective equipment (PPE) specific to the job.
Read Material Safety Data Sheet for products used in spray booth.

Review and follow all safety precautions before performing any maintenance.

iDEAL Open Front Paint Spray Booth (PSB-AFOFB1388-AK)

5.1 MAINTENANCE INTERVAL CART

Item	Maintenance Interval			
	Daily	Every Two Months	Every Six Months	Every Year
Visually Inspect Filters	•			
Lubricate Door Latches		•		
Check And Adjust Belt Tension*			•	
Inspect And Clean Motor				•
Inspect And Clean Air Solenoid Safety Valve				•

* Adjust belt tension after first week of operation, then every six months thereafter.

5.2 DAILY

5.2.1 Inspect Filters

Visually inspect all filters for damage and debris buildup. Replace damaged or clogged filters.

5.2.2 Filter Maintenance

⚠ WARNING
Prevent serious injury or death.
Always wear personal protective equipment (PPE) specific to the job.

Wear personal protective equipment to protect against dry paint and dust particles while handling filters. Check manometer gauge daily for condition of filters. Do not change filter based on its appearance. Filters are not necessarily changed at equal time intervals. The usable life of a filter is related to:

- Filter material weave.
- Paint sprayed.
- Distance from gun to filter.
- Paint gun type.
- Amount of thinner used.
- Spray pressure.

5.2.3 Determine Filter Condition

1. The filter condition is acceptable when the manometer tube scale is between the two arrows.
2. When manometer scale exceeds red pointer flag, filters must be changed.
3. If a different filter media is to be used, manometer setup procedure must be done again.

iDEAL Open Front Paint Spray Booth (PSB-AFOFB1388-AK)

5.3 EVERY TWO MONTHS

5.3.1 Lubricate Door Latches (If Applies)

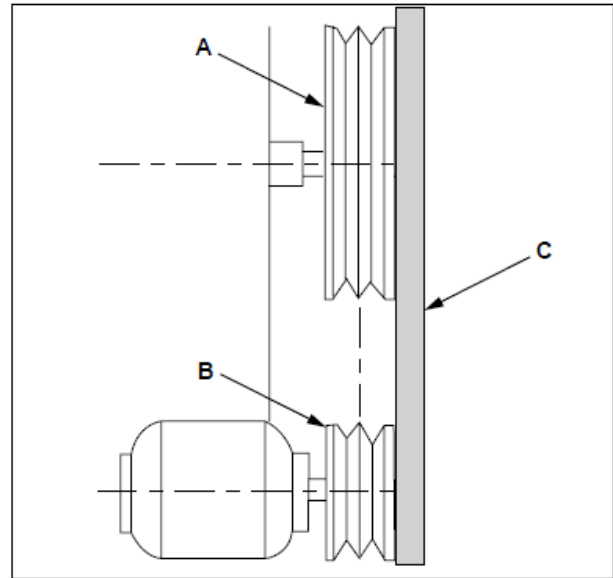
Lubricate bearing pin and laminated cam with SAE 30-50 high temperature oil. Tighten set screws in handle as needed. For use in cold areas, use SAE 10-20 high temperature oil.

Test explosion-venting feature to verify proper operation. Corrosion and/or build-up of foreign materials may affect proper operation of latches.

5.4 EVERY SIX MONTHS

5.4.1 Check Fan Belts

1. The fan sheave (A) and motor sheave (B) must be in axial alignment. Shafts must be parallel in both vertical and horizontal planes.
2. The sheaves must be in radial alignment. When sheaves are of equal width, align with a straight edge (C). When sheaves are of unequal width, align center of sheaves.
3. Check fan belts for proper tension and for signs of wear. Belt should have a slight sag at bottom of sheaves. Belt (D) is properly adjusted. Belt (E) is too loose. Belt (F) is too tight.



5.5 EVERY YEAR

5.5.1 Inspect Motor

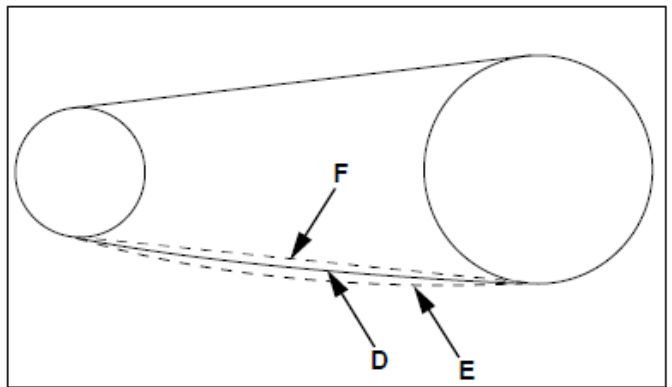
Verify that cooling air to motor has not been diverted or blocked by dirty guards or other obstacles.

5.5.2 Inspect Fan Wheel

Inspect fan wheel for buildup of material, which may cause an unbalanced fan wheel. An unbalanced fan wheel may lead to premature failure of the fan wheel, bearings, and belt. Clean material buildup, as necessary.

5.5.3 Inspect & Clean Air Solenoid Valve (If Applies)

The function of this valve is to interrupt the supply of compressed air to the painting equipment when the booth is not operating as designed or if any booth doors are open.



⚠ WARNING

Prevent serious injury.

Turn off electrical power, depressurize valve, and vent fluid to a safe area before servicing valve.

The time between cleanings varies depending on the medium and service conditions. If voltage to coil is correct, sluggish valve operation, excessive noise or leakage indicates that cleaning is required. Close strainer or filter when cleaning valve. Thoroughly clean all parts. If parts are worn or damaged, install a complete rebuild kit. Follow instructions included with rebuild kit.

iDEAL Open Front Paint Spray Booth (PSB-AFOFB1388-AK)

6. WARRANTY

iDEAL Spray Booths have a full one year Warranty on all parts and materials. This warranty does not extend to include labor costs for the replacement of parts or materials covered under warranty. If a part is believed defective, please notify our Customer Service Department. A replacement item shall be shipped, and regular freight shall be paid by Tuxedo Distributors, LLC. If Tuxedo Distributors requires the defective part to be returned, appropriate return freight costs shall be paid by Tuxedo Distributors. **IMPORTANT:** Before returning the defective part(s), you must first get an RGA (Return of Goods Authorization) from our Customer Service Department. A copy of the RGA document **MUST** be included with the returned item(s). The Seller warrants to Buyer that the equipment mentioned herein shall be free from defects of materials or workmanship under normal use and maintenance for a period of one (1) year from date of shipment. The liability of Seller under this warranty shall be limited to the repair or replacement, at Seller's option, of any part or component which may prove to be defective under normal use, service and maintenance after Seller, in its sole discretion, determines same to be defective. Said warranty is conditioned upon Buyer giving Seller immediate written notice of an alleged defect and refraining from the attempted repair of alleged defects without prior written consent of Seller. The Seller makes no warranty whatsoever with respect to accessories or components not supplied by Seller. For any components purchased by Seller for use on or in conjunction with the equipment, which is the subject of this contract, the Seller extends to the Buyer only the same warranty granted to Seller by the component vendor or manufacturer.

THIS LIMITED WARRANTY IS EXCLUSIVE AND IS IN LIEU OF ANY OTHER WARRANTIES (EXPRESSED OR IMPLIED) INCLUDING WARRANTY OF MERCHANTABILITY OR WARRANTY OF FITNESS FOR PARTICULAR PURPOSE AND OF ANY NON-CONTRACTUAL LIABILITIES INCLUDING PRODUCT LIABILITIES BASED ON NEGLIGENCE OR STRICT LIABILITY. EVERY FORM OF LIABILITY FOR DIRECT, SPECIAL, OR CONSEQUENTIAL DAMAGES OR LOSS IS EXPRESSLY EXCLUDED AND DENIED. IN NO CASE SHALL iDEAL SPRAY BOOTHS LIABILITY ON THIS WARRANTY EXCEED THE AMOUNT OF THE PURCHASE PRICE.

The performance and safety of the equipment mentioned herein is contingent upon proper installation, the use of suitable process materials and operation and maintenance by properly trained personnel. During the warranty period, Tuxedo Distributors will have the option to repair or replace, free of charge, any parts that Tuxedo Distributors has verified to be defective in materials or workmanship. If inspection of the equipment does not disclose any defect in workmanship of material, repaired or replacement parts will be offered at a reasonable price, which will include the costs of labor, materials, and transportation.

6.1 Returning Items For Credit

Tuxedo Distributors will take back any standard stocked items returned and issue a credit, less a 15% handling and restocking fee. Customer is responsible for all Freight Charges and the item **MUST** be returned in its original condition. If the item is damaged in transit you will not receive credit. Tuxedo Distributors will mark the Bill of Lading "Damaged" and send you pictures of the damaged item. For custom or non-stock special order items you must contact our Customer Service Department to determine if the item may be returned. Any restocking charges shall be determined on a case by case basis. If an item needs to be returned, Tuxedo Distributors will issue you an RGA (Return Goods Authorization) form. Please ensure that a copy is sent back with returned item(s). Without an RGA the product may be lost or returned to stock with no credit issued. Please note that in some cases the freight may be more than the item is worth when credit is received.

6.2 Back Charges For Material And Labor

Tuxedo Distributors shall not be held responsible for any back-charges incurred for materials or labor without prior written consent. Should a problem arise, please notify Tuxedo Distributors immediately. Once the issue is investigated, should costs be incurred, an amount shall be agreed upon by both parties before-hand. Do **NOT** attempt modifications or repairs without prior consent as this may void further warranty repairs or credit. Tuxedo Distributors will not accept back-charges associated with any type of late delivery.

Please address warranty repairs to:

Tuxedo Distributors, LLC / iDEAL Paint Spray Booths
8320 E. Hwy 67
Alvarado, TX 76009
Attention: Customer Service
Toll Free: 817-558-9337 / Fax: 817-558-9740