

# MAYFIELD HEIGHTS AQUATIC AND COMMUNITY CENTER

## 6080 MARSOL AVE.

### MAYFIELD HEIGHTS, OH 44124

NO	DESCRIPTION
	DRAWING SUBMISSION

#### ALUMINUM STOREFRONT INSTALLER

##### SIXTH CITY GLAZING

11941 ABBEY ROAD, UNIT E  
NORTH ROYALTON, OH 44133

#### STOREFRONT & CURTAINWALL MANUFACTURER



LEADERS IN ECO-EFFICIENT STOREFRONT,  
CURTAINWALL AND ENTRANCE SYSTEMS

#### ARCHITECT

##### LEVELHEADS

6925 CHADBOURNE DR.  
VALLEY VIEW, OH 44125  
P: 216.308.9178

##### LEGAT ARCHITECTS, INC

549 W. RANDOLPH ST.  
SUITE 602  
CHICAGO, IL 60661  
P: 312.258.9595

#### ABBREVIATIONS

A/C = ACCESS CONTROLLED	N.I.C. = NOT IN CONTRACT
A.F.F. = ABOVE FINISHED FLOOR	N.T.S. = NOT TO SCALE
B.O.H. = BOTTOM OF HORIZONTAL	O.D. = OPENING DIMENSION
C.L. = CENTER LINE	O.F.D. = OVERALL FRAME DIMENSION
DIM. = DIMENSION	REF. = REFERENCE
D.L.O. = DAYLIGHT OPENING	R.O. = ROUGH OPENING
D.L. = DEAD LOAD (ANCHOR)	T.O.F.F. = TOP OF FINISHED FLOOR
D.O. = DOOR OPENING	T.O.H. = TOP OF HORIZONTAL
EL. = ELEVATION	T.O.S. = TOP OF SLAB
F.S. = FRAME SIZE	T.O.STL. = TOP OF STEEL
F.F. = FINISH FLOOR	U.N.O. = UNLESS NOTED OTHERWISE
G.C. = GENERAL CONTRACTOR	W.C. = WEB CENTER
HM = HOLLOW METAL BY OTHERS	W.D. = WINDOW DIMENSION
M.O. = MASONRY OPENING	W.L. = WIND LOAD (ANCHOR)
M.L. = MULLION LENGTH	W.P. = WORKING POINT
N.B.S.C. = NOT BY SIXTH CITY	D.G.S. = DOOR GLASS SIZE

#### NOTES:

- SEE SEPARATE SAMPLES FOR GLASS MAKE UP.
- ALL WATER PROOFING MEMBRANE AND THRU WALL FLASHING IS SUPPLIED AND INSTALLED BY OTHERS. WATER PROOFING MEMBRANE MUST RETURN PAST THE "DRY LINE" OF THE WINDOW SYSTEM.
- ALL BLOCKING AND STRUCTURAL SUPPORT IS SUPPLIED AND INSTALLED BY OTHERS.
- THE MAIN STRUCTURE MUST BE CAPABLE OF WITHSTANDING THE LOADS IMPOSED BY TUBELITE GLAZING SYSTEMS. STRUCTURE MUST PROVIDE SUITABLE ANCHORAGE FOR THESE GLAZING SYSTEMS. AND MUST BE ERECTED WITH IN SPECIFIED BUILDING TOLERANCES.
- ALL BRAKE METAL (IF SHOWN) IS TO MATCH WINDOW SYSTEM FINISH

INDEX	
PAGE #	DESCRIPTION
.01	COVER PAGE
.02 - .04	SCHEDULES
1.01 - 1.03	FLOOR PLANS
2.01 - 2.24	ELEVATIONS
3.01 - 3.23	DETAILS

#### ABBREVIATIONS AND SYMBOLS

	-- WORK POINT		--BACKER ROD & SEALANT
	-- ANCHOR LOCATION		--DIMENSION LUMBER
	-- GLASS TYPE		--CUT STONE
	--DETAIL NUMBER		--CONCRETE
	--SHEET NUMBER		--CONCRETE BLOCK
	--WINDOW DESIGNATION		--BATT INSULATION
	--DOOR DESIGNATION		--STEEL IN SECTION
	--INDICATES ITEMS TO BE VERIFIED BY CUSTOMER.		

#### EXCLUSIONS:

- THE FOLLOWING ITEMS ARE NOT SUPPLIED BY SIXTH CITY UNLESS STATED OTHERWISE.
- A. HOLLOW METAL FRAMING
  - B. WOOD DOORS
  - C. STRUCTURAL SUPPORT OR BLOCKING.
  - D. FINAL CLEANING OF GLASS OR METAL.
  - E. PROTECTION OF WORK IN PLACE.
  - F. FIRE PROOFING
  - G. CURTAIN WALL INSULATION
  - H. FLASHING UNLESS OTHERWISE NOTED

MAYFIELD HEIGHTS AQUATIC AND COMMUNITY CENTER  
6080 MARSOL AVE.  
MAYFIELD HEIGHTS, OH 44124

SIXTH CITY GLAZING  
11941 ABBEY ROAD, UNIT E  
NORTH ROYALTON, OH 44133

DRAWN BY: DJ	DATE: 10.3.22
CHECKED BY: RS	DATE: 10.3.22

DOOR SCHEDULE (STOREFRONT DOORS AND FRAMES)							
DOOR #	OPENING SIZE	HW SET	HAND	DOOR TYPE	FRAME	FRAMING	AREA
100A	6'-0" X 7'-10"	SEE SPECS	PRSO	ALUM./GLASS	SF23	T24650	VESTIBULE 100
100B	6'-0" X 7'-10"	SEE SPECS	PRSO	ALUM./GLASS	SF23	T24650	VESTIBULE 100
100C	6'-0" X 7'-10"	SEE SPECS	PRSO	ALUM./GLASS	SF33	4500	VESTIBULE 100
100D	6'-0" X 7'-10"	SEE SPECS	PRSO	ALUM./GLASS	SF33	4500	VESTIBULE 100
100E	6'-0" X 7'-10"	SEE SPECS	PRSO	ALUM./GLASS	SF32	4500	VESTIBULE 100
101A	3'-0" X 7'-10"	SEE SPECS	RH-HLSO	ALUM./GLASS	SF2	T24650	CONCOURSE 101
101B	6'-0" X 7'-10"	SEE SPECS	PRSO	ALUM./GLASS	SF3	T24650	CONCOURSE 101
101C	3'-0" X 7'-10"	SEE SPECS	RH-HLSO	ALUM./GLASS	SF4	T24650	CONCOURSE 101
101D	6'-0" X 7'-10"	SEE SPECS	PRSO	ALUM./GLASS	SF7	T24650	CONCOURSE 101
101E	3'-0" X 7'-10"	SEE SPECS	LH-HRSO	ALUM./GLASS	SF21	T24650	CONCOURSE 101
103C	3'-0" X 7'-10"	SEE SPECS	LH-HRSO	ALUM./GLASS	SF11	T24650	MULTI-PURPOSE ROOM 103

**DOOR NOTES:**

1) INTERIOR STOREFRONT DOORS ARE TUBELITE MEDIUM STILE WITH A 4" MID RAIL (@ DOUBLE DOORS ONLY) AND 10" BOTTOM RAIL TO ACCEPT 1/4" GLASS.

2) EXTERIOR STOREFRONT DOORS ARE TUBELITE THERMAL MEDIUM STILE WITH A 4" MID RAIL (@ DOUBLE DOORS ONLY) AND 10" BOTTOM RAIL TO ACCEPT 1" GLASS.

**STOREFRONT DOOR HARDWARE NOTES:**

1) ALL HARDWARE FOR ALUMINUM STOREFRONT DOORS IS SUPPLIED BY OTHERS. SIXTH CITY GLAZING WILL PREP AND INSTALL THE HARDWARE PER THE APPROVED HARDWARE SCHEDULE. AN APPROVED HARDWARE SCHEDULE MUST BE SUPPLIED. ANY DELAY IN RECEIVING AN APPROVED HARDWARE SCHEDULE WILL RESULT IN A DIRECT DELAY OF THE DOOR FABRICATION.

2) ALL HARDWARE MUST BE SUPPLIED TO SIXTH CITY GLAZING. PLEASE MARK EACH BOX CLEARLY WITH DOOR NUMBERS. ANY DELAY IN RECEIVING THE HARDWARE WILL RESULT IN A DIRECT DELAY IN DOOR SHIPMENT.

WINDOW SYSTEM SCHEDULE					
WINDOW	FINISH	SYSTEM	DOOR	GLAZING	QUANTITY
CW1	BLACK ANODIZED	TUBELITE 400CW - 2 1/2" X 6" EXT. CURTAINWALL FRONT SET TO ACCEPT 1" GLASS	N/A	IG1	1
CW2	BLACK ANODIZED	TUBELITE 400CW - 2 1/2" X 6" EXT. CURTAINWALL FRONT SET TO ACCEPT 1" GLASS	N/A	IG1	1
CW3	BLACK ANODIZED	TUBELITE 400T - 2 1/2" X 7 1/4" EXT. CURTAINWALL FRONT SET TO ACCEPT 1" GLASS	N/A	IG1L	2
CW4	BLACK ANODIZED	TUBELITE 400CW - 2 1/2" X 6" EXT. CURTAINWALL FRONT SET TO ACCEPT 1" GLASS	N/A	IG1	1
CW5	BLACK ANODIZED	TUBELITE 400CW - 2 1/2" X 6" EXT. CURTAINWALL FRONT SET TO ACCEPT 1" GLASS	N/A	IG1	1
SF1	BLACK ANODIZED	TUBELITE T24650 - 2" X 6 1/2" EXT. STOREFRONT CENTER SET TO ACCEPT 1" GLASS	N/A	IG1	1
SF2	BLACK ANODIZED	TUBELITE T24650 - 2" X 6 1/2" EXT. STOREFRONT CENTER SET TO ACCEPT 1" GLASS	101A	IG3T	1
SF3	BLACK ANODIZED	TUBELITE T24650 - 2" X 6 1/2" EXT. STOREFRONT CENTER SET TO ACCEPT 1" GLASS	101B	IG3T	1
SF4	BLACK ANODIZED	TUBELITE T24650 - 2" X 6 1/2" EXT. STOREFRONT CENTER SET TO ACCEPT 1" GLASS	101C	IG3T	1
SF5	BLACK ANODIZED	TUBELITE T24650 - 2" X 6 1/2" EXT. STOREFRONT CENTER SET TO ACCEPT 1" GLASS	N/A	IG1	1
SF6	BLACK ANODIZED	TUBELITE T24650 - 2" X 6 1/2" EXT. STOREFRONT CENTER SET TO ACCEPT 1" GLASS	N/A	IG1	1
SF7	BLACK ANODIZED	TUBELITE 200CW - 2" X 6 1/2" EXT. CURTAINWALL FRONT SET TO ACCEPT 1" GLASS	101D	IG3T	1
SF7A	BLACK ANODIZED	TUBELITE T24650 - 2" X 6 1/2" EXT. STOREFRONT CENTER SET TO ACCEPT 1" GLASS	N/A	IG3T	1
SF8	BLACK ANODIZED	TUBELITE T24650 - 2" X 6 1/2" EXT. STOREFRONT CENTER SET TO ACCEPT 1" GLASS	N/A	IG1T IG5	1
SF9	BLACK ANODIZED	TUBELITE T24650 - 2" X 6 1/2" EXT. STOREFRONT CENTER SET TO ACCEPT 1" GLASS	N/A	IG1T IG5	1
SF10	BLACK ANODIZED	TUBELITE T24650 - 2" X 6 1/2" EXT. STOREFRONT CENTER SET TO ACCEPT 1" GLASS	N/A	IG1T IG5	1
SF11	BLACK ANODIZED	TUBELITE T24650 - 2" X 6 1/2" EXT. STOREFRONT CENTER SET TO ACCEPT 1" GLASS	103C	IG1T IG5	1
SF12	BLACK ANODIZED	TUBELITE T24650 - 2" X 6 1/2" EXT. STOREFRONT CENTER SET TO ACCEPT 1" GLASS	N/A	IG1T IG5	1
SF13	BLACK ANODIZED	TUBELITE T24650 - 2" X 6 1/2" EXT. STOREFRONT CENTER SET TO ACCEPT 1" GLASS	N/A	IG1	1
SF14	BLACK ANODIZED	TUBELITE T24650 - 2" X 6 1/2" EXT. STOREFRONT CENTER SET TO ACCEPT 1" GLASS	N/A	IG1	1

**STOREFRONT& DOOR FINISH**

BLACK ANODIZED

--	--	--	--	--

MAYFIELD HEIGHTS AQUATIC AND COMMUNITY CENTER  
6080 MARSOL AVE.  
MAYFIELD HEIGHTS, OH 44124

SIXTH CITY GLAZING  
11941 ABBEY ROAD, UNIT E  
NORTH ROYALTON, OH 44133

DRAWN BY:	DJ	DATE:	10.3.22
CHECKED BY:	RS	DATE:	10.3.22

## WINDOW SYSTEM SCHEDULE CONT.

WINDOW	FINISH	SYSTEM	DOOR	GLAZING	QUANTITY
SF15	BLACK ANODIZED	TUBELITE T24650 - 2" X 6 1/2" EXT. STOREFRONT CENTER SET TO ACCEPT 1" GLASS	N/A	IG1	1
SF16	BLACK ANODIZED	TUBELITE T24650 - 2" X 6 1/2" EXT. STOREFRONT CENTER SET TO ACCEPT 1" GLASS	N/A	IG1	1
SF17	BLACK ANODIZED	TUBELITE T24650 - 2" X 6 1/2" EXT. STOREFRONT CENTER SET TO ACCEPT 1" GLASS	N/A	IG1	1
SF18	BLACK ANODIZED	TUBELITE T24650 - 2" X 6 1/2" EXT. STOREFRONT CENTER SET TO ACCEPT 1" GLASS	N/A	IG1	1
SF19	BLACK ANODIZED	TUBELITE T24650 - 2" X 6 1/2" EXT. STOREFRONT CENTER SET TO ACCEPT 1" GLASS	N/A	IG1	2
SF20	BLACK ANODIZED	TUBELITE T24650 - 2" X 6 1/2" EXT. STOREFRONT CENTER SET TO ACCEPT 1" GLASS	N/A	IG1	1
SF21	BLACK ANODIZED	TUBELITE T24650 - 2" X 6 1/2" EXT. STOREFRONT CENTER SET TO ACCEPT 1" GLASS	101E	IG3T	1
SF22	BLACK ANODIZED	TUBELITE T24650 - 2" X 6 1/2" EXT. STOREFRONT CENTER SET TO ACCEPT 1" GLASS	N/A	IG2T	1
SF23	BLACK ANODIZED	TUBELITE T24650 - 2" X 6 1/2" EXT. STOREFRONT CENTER SET TO ACCEPT 1" GLASS	100A 100B	IG2T	1
SF24	BLACK ANODIZED	TUBELITE T24650 - 2" X 6 1/2" EXT. STOREFRONT CENTER SET TO ACCEPT 1" GLASS	N/A	IG1T	1
SF25	BLACK ANODIZED	TUBELITE T24650 - 2" X 6 1/2" EXT. STOREFRONT CENTER SET TO ACCEPT 1" GLASS	N/A	IG1L	3
SF25A	BLACK ANODIZED	TUBELITE T24650 - 2" X 6 1/2" EXT. STOREFRONT CENTER SET TO ACCEPT 1" GLASS	N/A	IG4L	3
SF26	BLACK ANODIZED	TUBELITE T24650 - 2" X 6 1/2" EXT. STOREFRONT CENTER SET TO ACCEPT 1" GLASS	N/A	IG1 IG5	1
SF27	BLACK ANODIZED	TUBELITE T24650 - 2" X 6 1/2" EXT. STOREFRONT CENTER SET TO ACCEPT 1" GLASS	N/A	IG1 IG5	1
SF28	BLACK ANODIZED	TUBELITE T24650 - 2" X 6 1/2" EXT. STOREFRONT CENTER SET TO ACCEPT 1" GLASS	N/A	IG1	3
SF29	BLACK ANODIZED	TUBELITE 4500 - 1 3/4" X 4 1/2" INT. STOREFRONT CENTER SET TO ACCEPT 1/4" GLASS	N/A	G6	3
SF30	BLACK ANODIZED	TUBELITE 4500 - 1 3/4" X 4 1/2" INT. STOREFRONT CENTER SET TO ACCEPT 1/4" GLASS	N/A	G6	1
SF31	BLACK ANODIZED	TUBELITE 4500 - 1 3/4" X 4 1/2" INT. STOREFRONT CENTER SET TO ACCEPT 1/4" GLASS	N/A	G6	3
SF32	BLACK ANODIZED	TUBELITE 4500 - 1 3/4" X 4 1/2" INT. STOREFRONT CENTER SET TO ACCEPT 1/4" GLASS	100E	G6	1
SF33	BLACK ANODIZED	TUBELITE 4500 - 1 3/4" X 4 1/2" INT. STOREFRONT CENTER SET TO ACCEPT 1/4" GLASS	100C 100D	G6	1
SF34	BLACK ANODIZED	TUBELITE 4500 - 1 3/4" X 4 1/2" INT. STOREFRONT CENTER SET TO ACCEPT 1/4" GLASS	N/A	G6	1

## STOREFRONT & DOOR FINISH

BLACK ANODIZED

**MAYFIELD HEIGHTS AQUATIC AND COMMUNITY CENTER**  
 6080 MARSOL AVE.  
 MAYFIELD HEIGHTS, OH 44124

SIXTH CITY GLAZING  
 11941 ABBEY ROAD, UNIT E  
 NORTH ROYALTON, OH 44133

DRAWN BY:	DATE:
DJ	10.3.22
CHECKED BY:	DATE:
RS	10.3.22

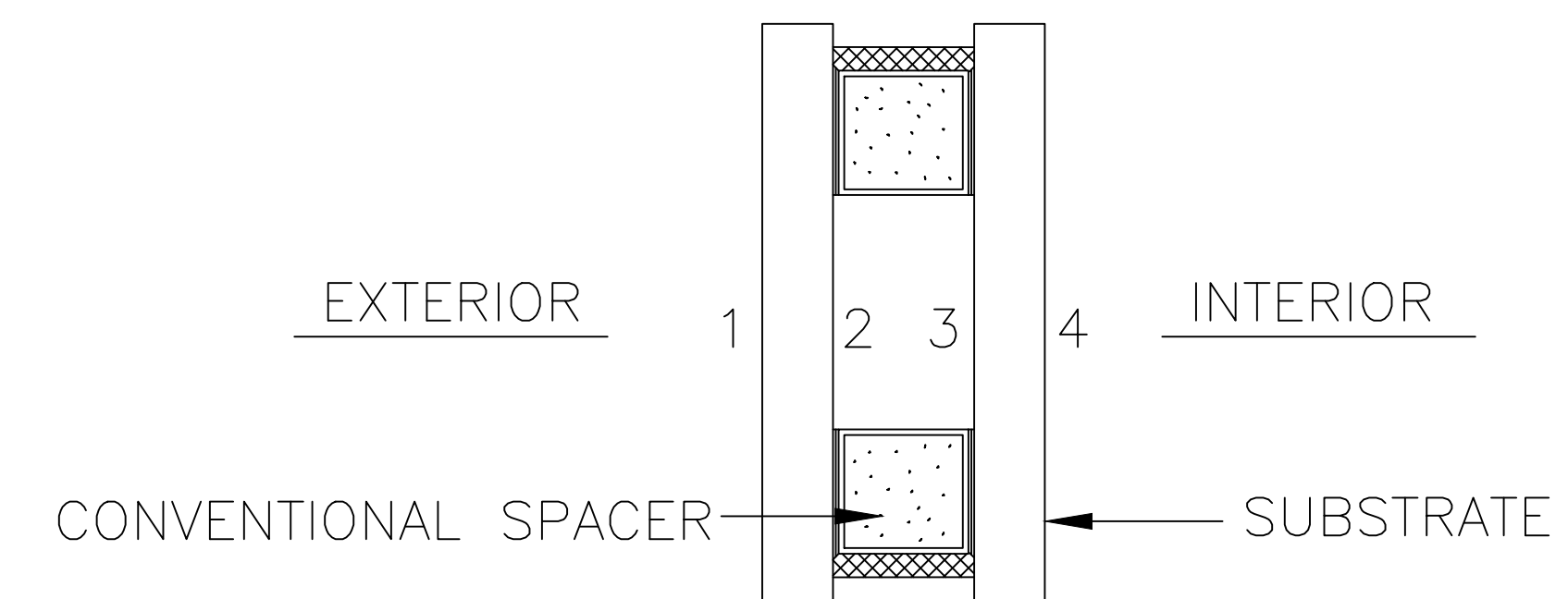
# GLASS SCHEDULE

SYMBOL	DESCRIPTION (SEE SUBMITTALS)
IG1	1" INSULATED VISION – TINTED LOW E –1/4" GRAY ANNEALED –1/2" ARGON AIR SPACE –1/4" CLEAR ANNEALED W/ SB60 ON #3 SURFACE
IG1T	1" INSULATED VISION – TINTED LOW E –1/4" GRAY TEMPERED –1/2" ARGON AIR SPACE –1/4" CLEAR TEMPERED W/ SB60 ON #3 SURFACE
IG1L	1" INSULATED LAMINATED VISION – TINTED LOW E –1/4" GRAY ANNEALED –1/2" ARGON AIR SPACE –1/4" CLEAR ANNEALED LAMINATED W/ SB60 ON #3 SURFACE
IG2T	1" INSULATED VISION – STARPHIRE –1/4" VITRO STARPHIRE TEMPERED W/ SB72 ON #2 SURFACE –1/2" ARGON AIR SPACE –1/4" VITRO STARPHIRE TEMPERED
IG3T	1" INSULATED BIRD GLASS –1/4" GRAY TEMPERED W/ WALKER AVIPROTEK 217 ON #1 SURFACE –1/2" ARGON AIR SPACE –1/4" CLEAR TEMPERED W/ SB60 ON #3 SURFACE
IG4L	1" INSULATED LAMINATED OPAQUE – TINTED LOW E –1/4" GRAY ANNEALED W/ WALKER OPAQUE ON #1 SURFACE –1/2" ARGON AIR SPACE –1/4" CLEAR ANNEALED LAMINATED W/ SB60 ON #3 SURFACE
IG5	1" INSULATED SPANDREL –1/4" GRAY ANNEALED –1/2" ARGON AIR SPACE –1/4" CLEAR ANNEALED W/ BLACK CERAMIC FRIT ON #4 SURFACE
G6	1/4" CLEAR LAMINTED GLASS

## ARCH/GC GLASS NOTES:

–ALL GLAZING TYPES LISTED HERE ARE BASIC DESCRIPTIONS. REFERENCE SEPARATE SUBMITTALS FOR A COMPLETE GLASS SCHEDULE.

## GLASS ILLUSTRATION



## ARCH/GC GLASS NOTES:

ALL GLAZING TYPES LISTED HERE ARE BASIC DESCRIPTIONS. REFERENCE SIXTH CITY'S SEPARATE SUBMITTALS FOR A COMPLETE GLASS SCHEDULE.

ARCHITECT TO CHOOSE GLASS TINT AND MAKE UP FROM PROVIDED SAMPLES.

DRAWING SUBMISSION

MAYFIELD HEIGHTS AQUATIC AND COMMUNITY CENTER  
6080 MARSOL AVE.  
MAYFIELD HEIGHTS, OH 44124

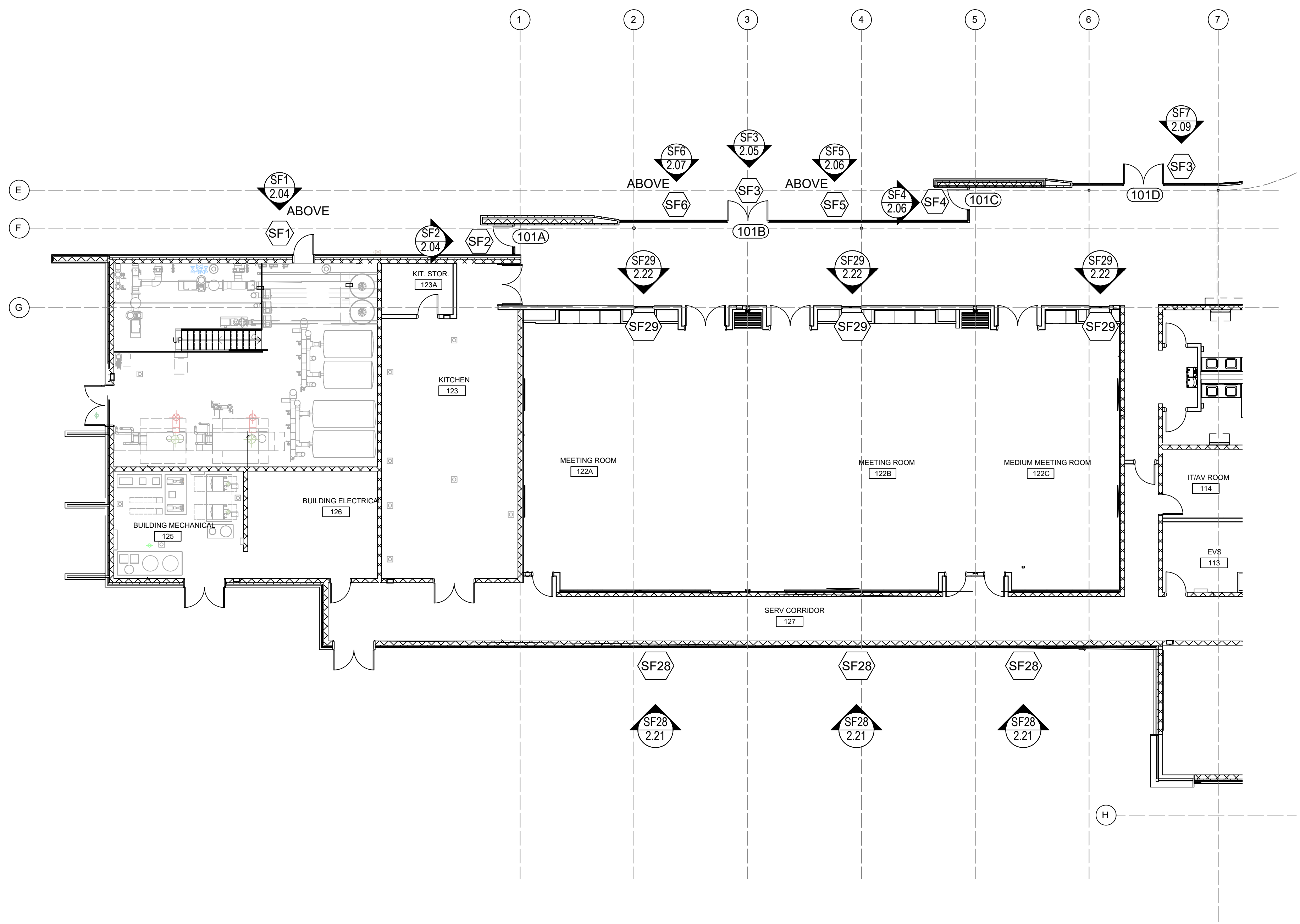
SIXTH CITY GLAZING  
11941 ABBEY ROAD, UNIT E  
NORTH ROYALTON, OH 44133

DRAWN BY:	DATE:
DJ	10.3.22
CHECKED BY:	DATE:
RS	10.3.22

MAYFIELD HEIGHTS AQUATIC AND COMMUNITY CENTER  
6080 MARSOL AVE.  
MAYFIELD HEIGHTS, OH 44124

SIXTH CITY GLAZING  
11941 ABBEY ROAD, UNIT E  
NORTH ROYALTON, OH 44133

DRAWN BY: DJ DATE: 10.3.22  
CHECKED BY: RS DATE: 10.3.22

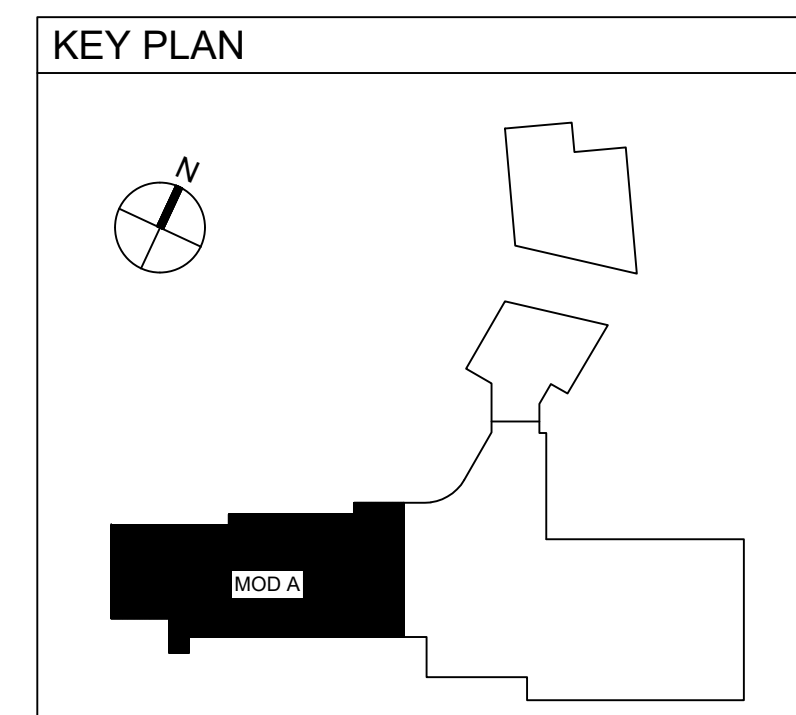


ARCH / G.C. NOTE:

FLOOR PLANS ARE PROVIDED FOR OPENING TYPE LOCATION ONLY. REFER TO SPECIFIC MARK ELEVATIONS FOR SIZE REFERENCE DIMENSIONING, MULLION SPACING, ETC.

FIRST FLOOR PLAN - MODULE A

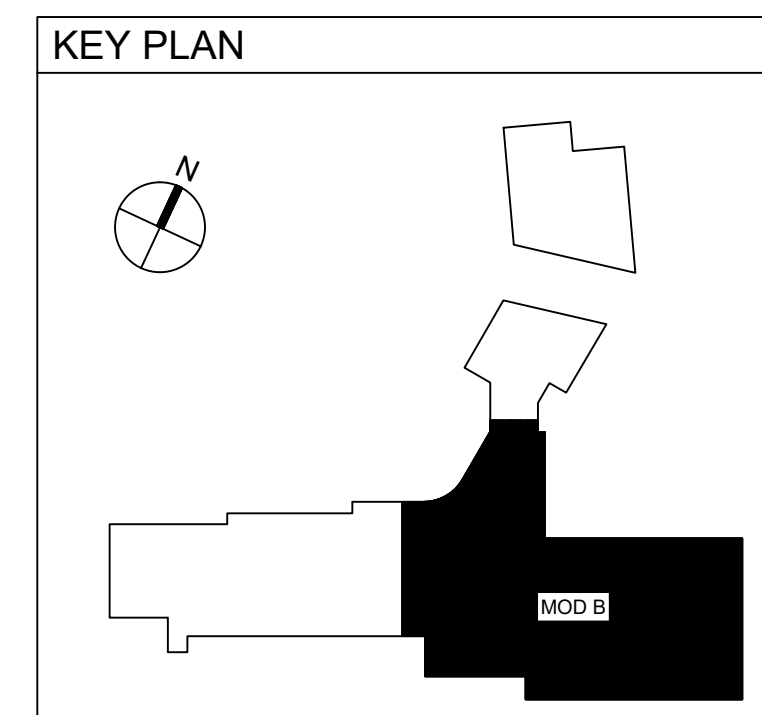
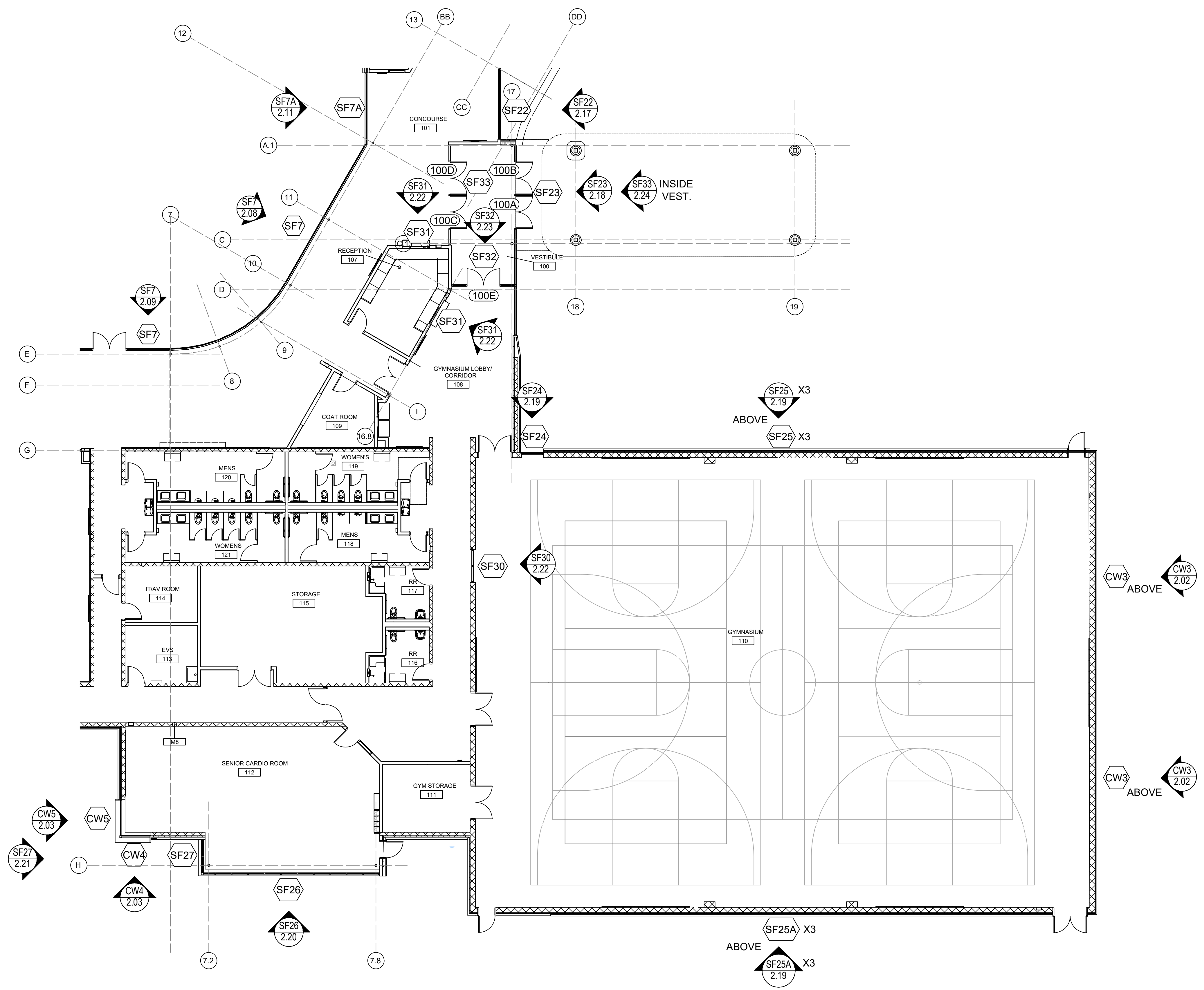
NTS ARCH. REF.: A-101A



MAYFIELD HEIGHTS AQUATIC AND COMMUNITY CENTER  
6080 MARSOL AVE.  
MAYFIELD HEIGHTS, OH 44124

SIXTH CITY GLAZING  
11941 ABBEY ROAD, UNIT E  
NORTH ROYALTON, OH 44133

DRAWN BY:	DATE:
DJ	10.3.22
CHECKED BY:	DATE:
RS	10.3.22



FIRST FLOOR PLAN - MODULE B  
NTS ARCH. REF.: A-101B

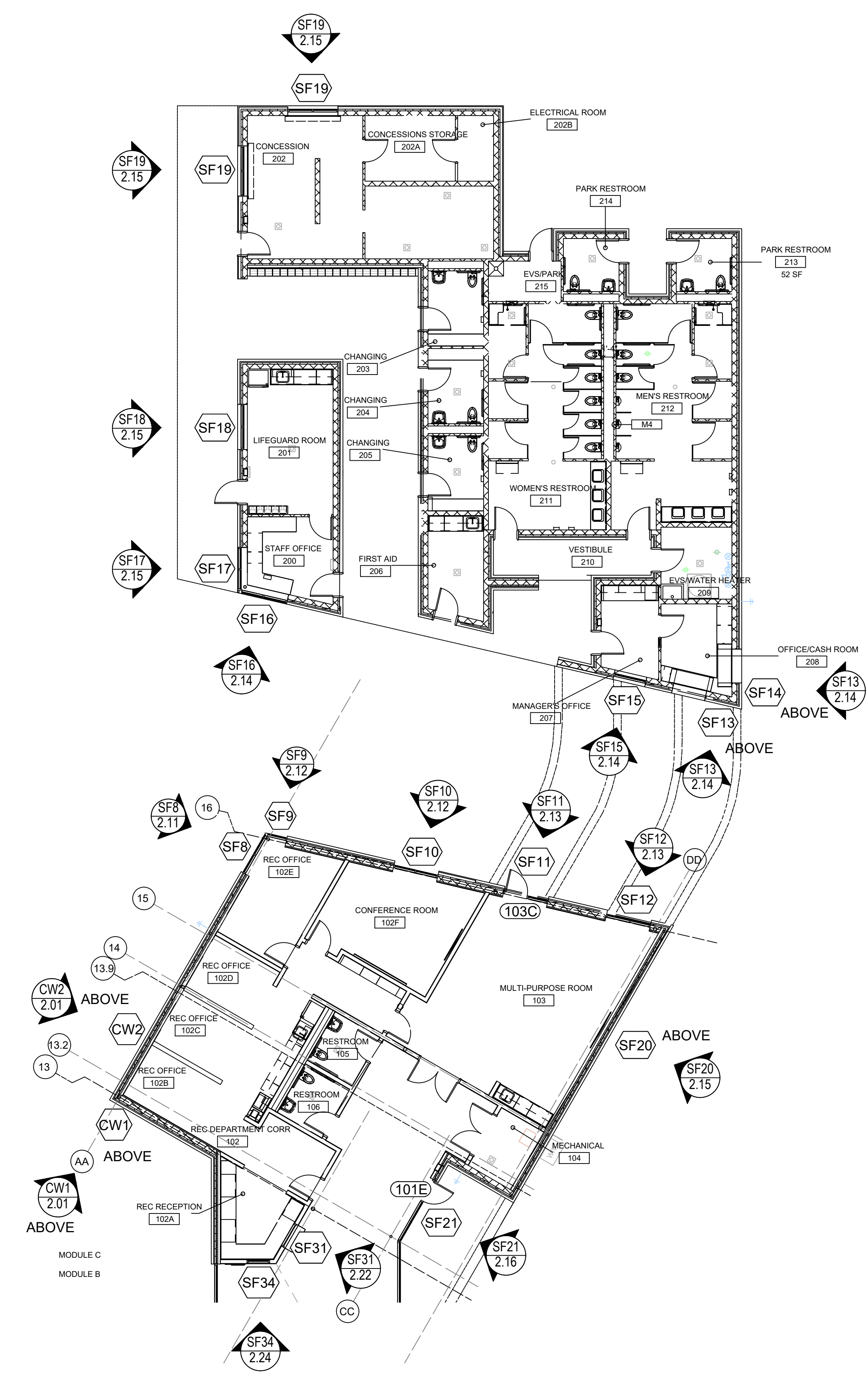
ARCH / G.C. NOTE:

FLOOR PLANS ARE PROVIDED FOR OPENING TYPE LOCATION ONLY. REFER TO SPECIFIC MARK ELEVATIONS FOR SIZE REFERENCE DIMENSIONING, MULLION SPACING, ETC.

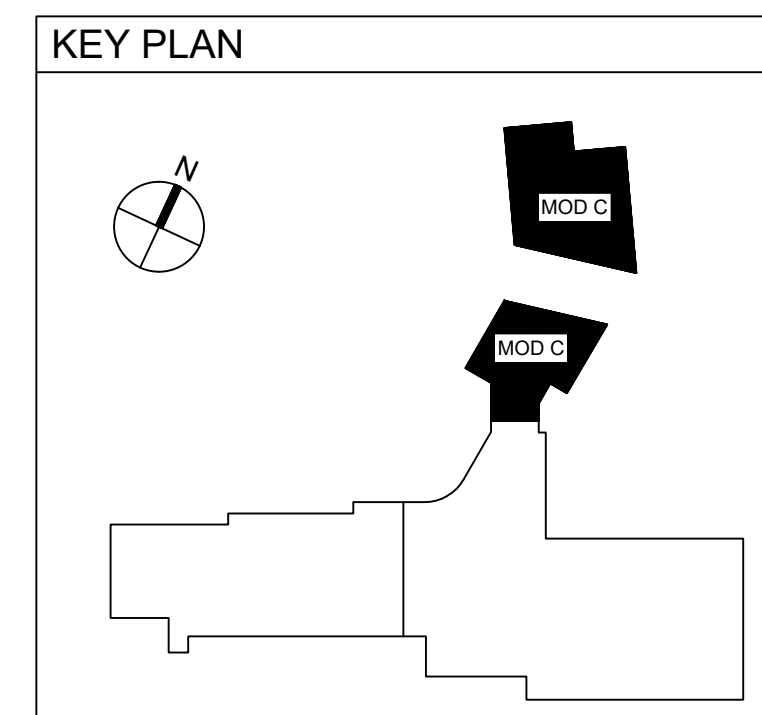
MAYFIELD HEIGHTS AQUATIC AND COMMUNITY CENTER  
6080 MARSOL AVE.  
MAYFIELD HEIGHTS, OH 44124

SIXTH CITY GLAZING  
11941 ABBEY ROAD, UNIT E  
NORTH ROYALTON, OH 44133

DRAWN BY: DJ DATE: 10.3.22  
CHECKED BY: RS DATE: 10.3.22



FIRST FLOOR PLAN - MODULE C  
NTS ARCH. REF.: A-101C



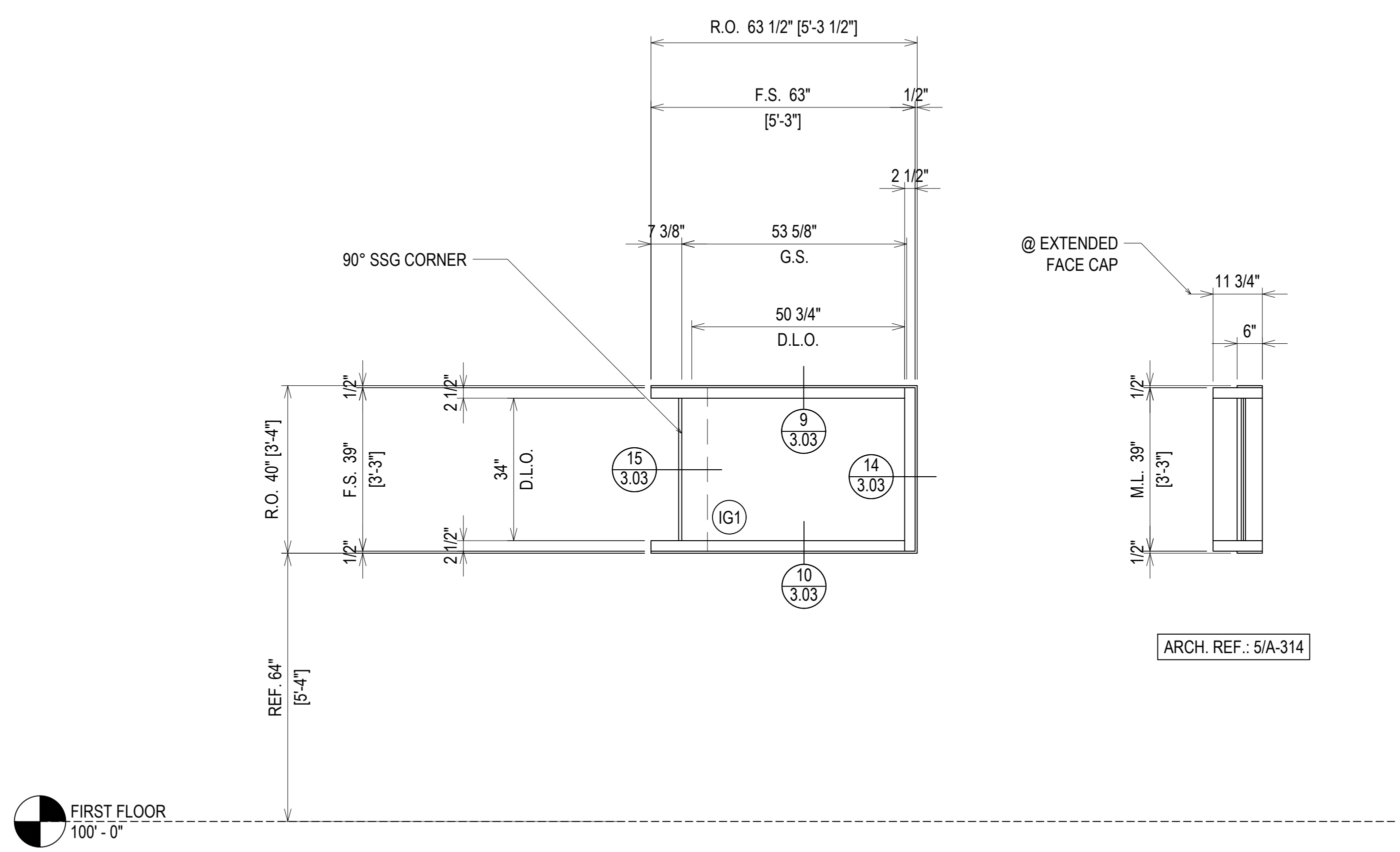
ARCH / G.C. NOTE:

FLOOR PLANS ARE PROVIDED FOR OPENING TYPE LOCATION ONLY. REFER TO SPECIFIC MARK ELEVATIONS FOR SIZE REFERENCE DIMENSIONING, MULLION SPACING, ETC.

NO.	DESCRIPTION

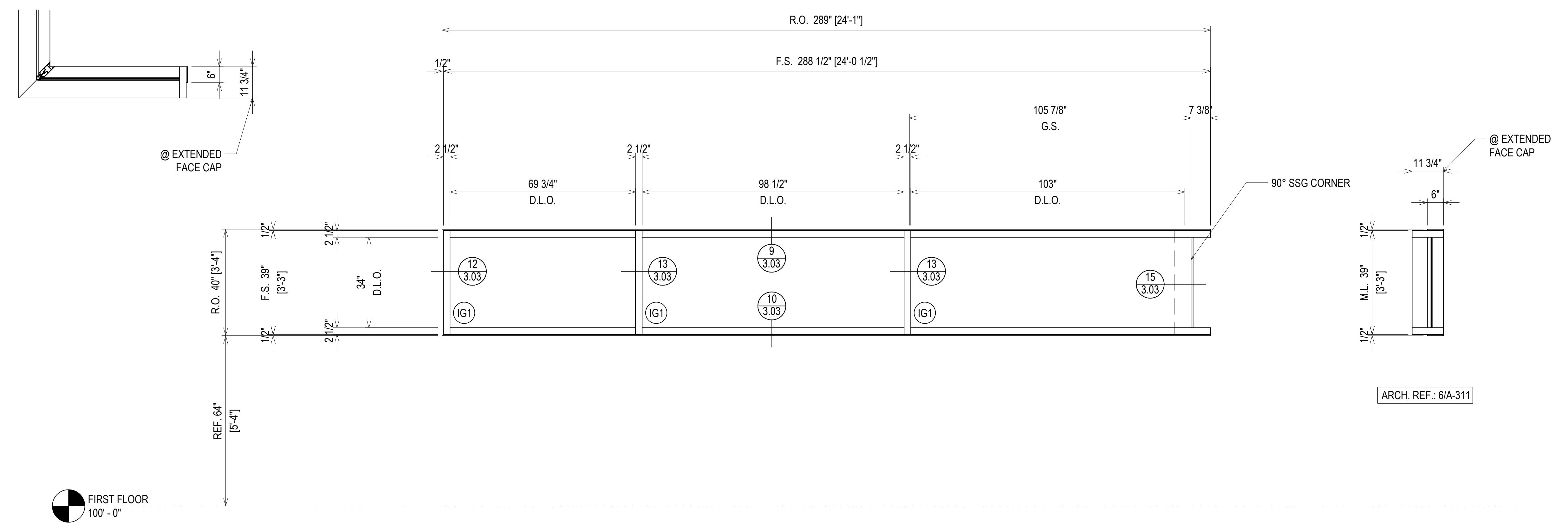
**MAYFIELD HEIGHTS AQUATIC AND COMMUNITY CENTER**  
**6080 MARSOL AVE.**  
**MAYFIELD HEIGHTS, OH 44124**

**SIXTH CITY GLAZING.**  
**11941 ABBEY ROAD, UNIT E**  
**NORTH ROYALTON, OH 44133**

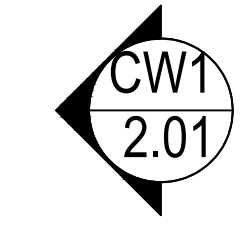
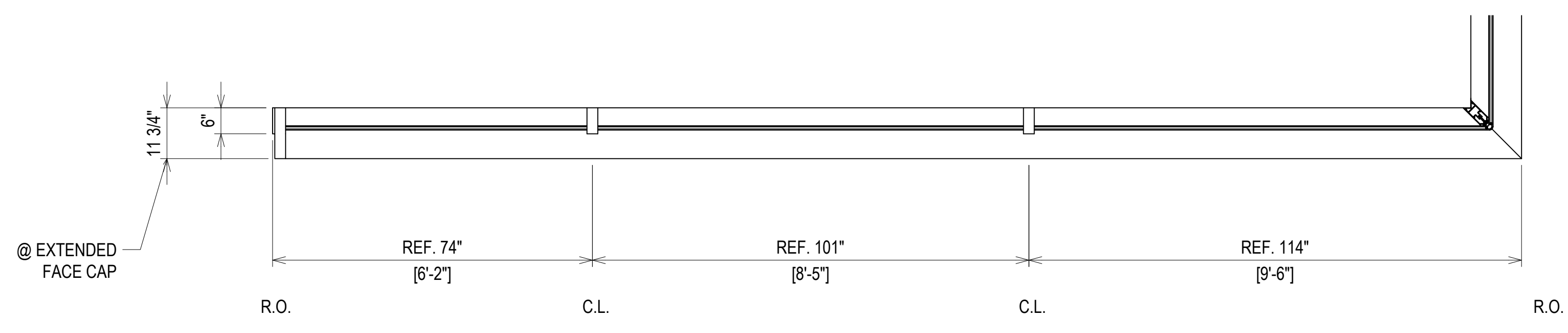


FIRST FLOOR  
100'-0"

**ELEVATION CW1**  
 SCALE: 1/2" = 1'-0"  
 TUBELITE CW400 - 2 1/2" X 6"  
 EXTERIOR CURTAIN WALL  
 1" INSULATED GLASS (FRONT SET)  
 QUANTITY: 1



FIRST FLOOR  
100'-0"

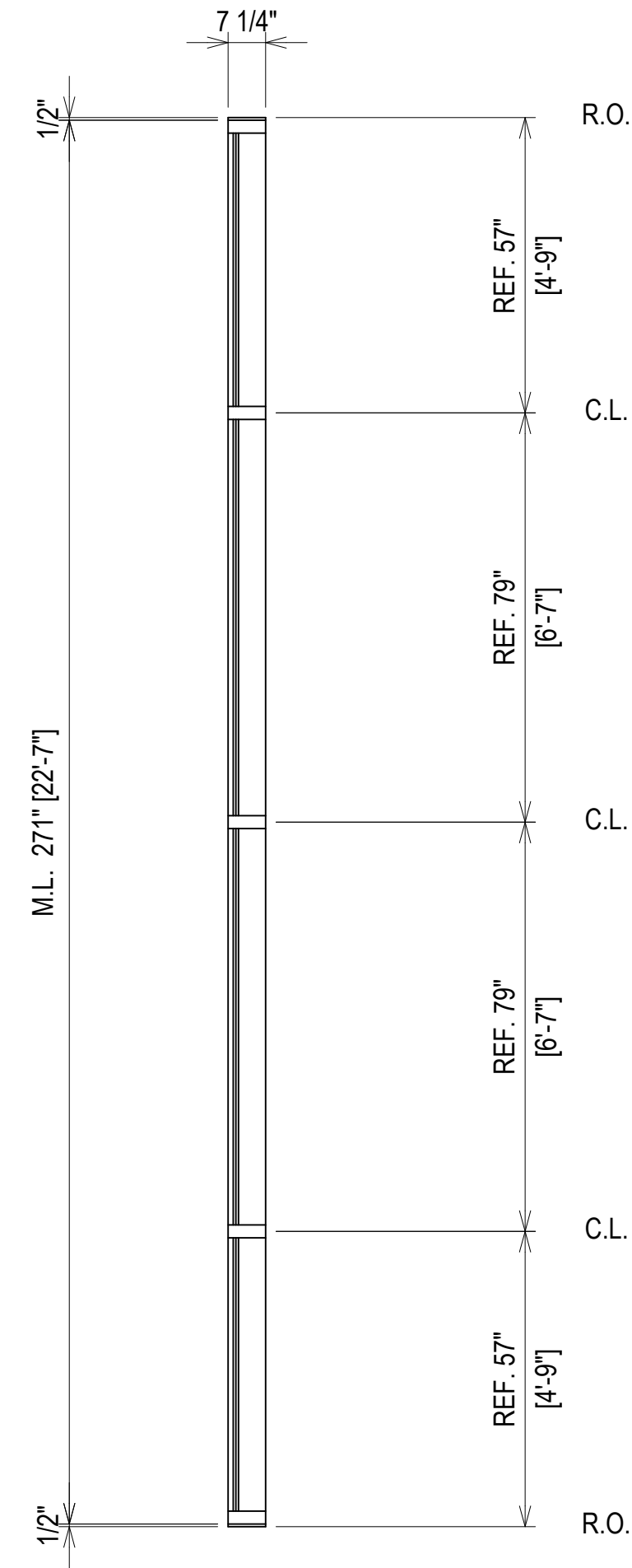
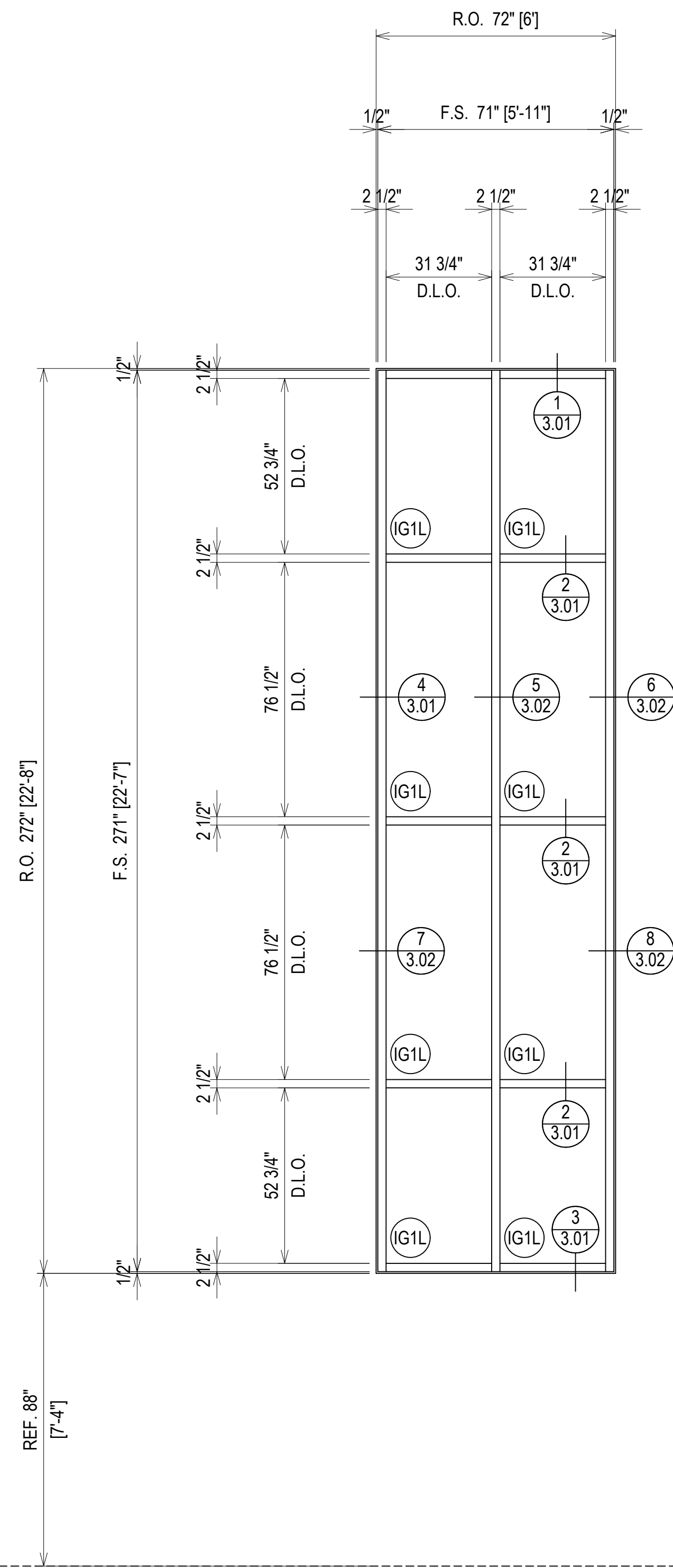


**ELEVATION CW2**  
 SCALE: 1/2" = 1'-0"  
 TUBELITE CW400 - 2 1/2" X 6"  
 EXTERIOR CURTAIN WALL  
 1" INSULATED GLASS (FRONT SET)  
 QUANTITY: 1

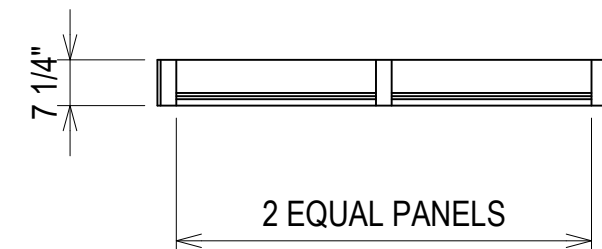
**ERECTOR / G.C. NOTE:**  
 PLEASE FIELD VERIFY ALL DIMENSIONS



FIRST FLOOR  
100' - 0"



ARCH. REF.: 5/A-312



ELEVATION CW3  
SCALE: 3/8" = 1'-0"  
TUBELITE 400T - 2 1/2" X 7 1/4"  
EXTERIOR CURTAIN WALL  
1" INSULATED GLASS (FRONT SET)  
QUANTITY: 2

SIXTH CITY GLAZING  
11941 ABBEY ROAD, UNIT E  
NORTH ROYALTON, OH 44133

MAYFIELD HEIGHTS AQUATIC AND COMMUNITY CENTER  
6080 MARSOL AVE.  
MAYFIELD HEIGHTS, OH 44124

DRAWN BY:	DATE:
DJ	10.3.22
CHECKED BY:	DATE:
RS	10.3.22

ERECTOR / G.C. NOTE:  
PLEASE FIELD VERIFY ALL DIMENSIONS

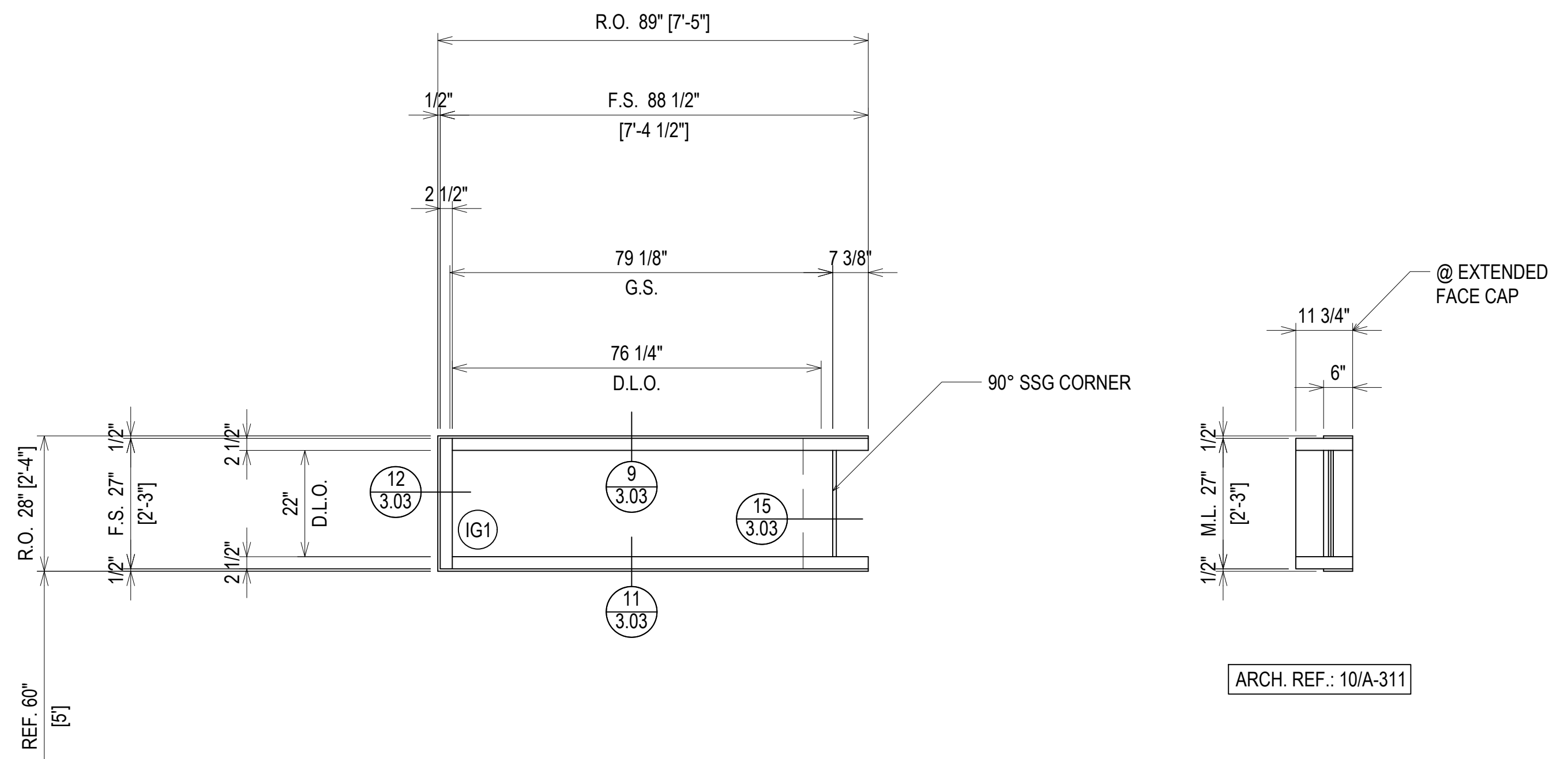
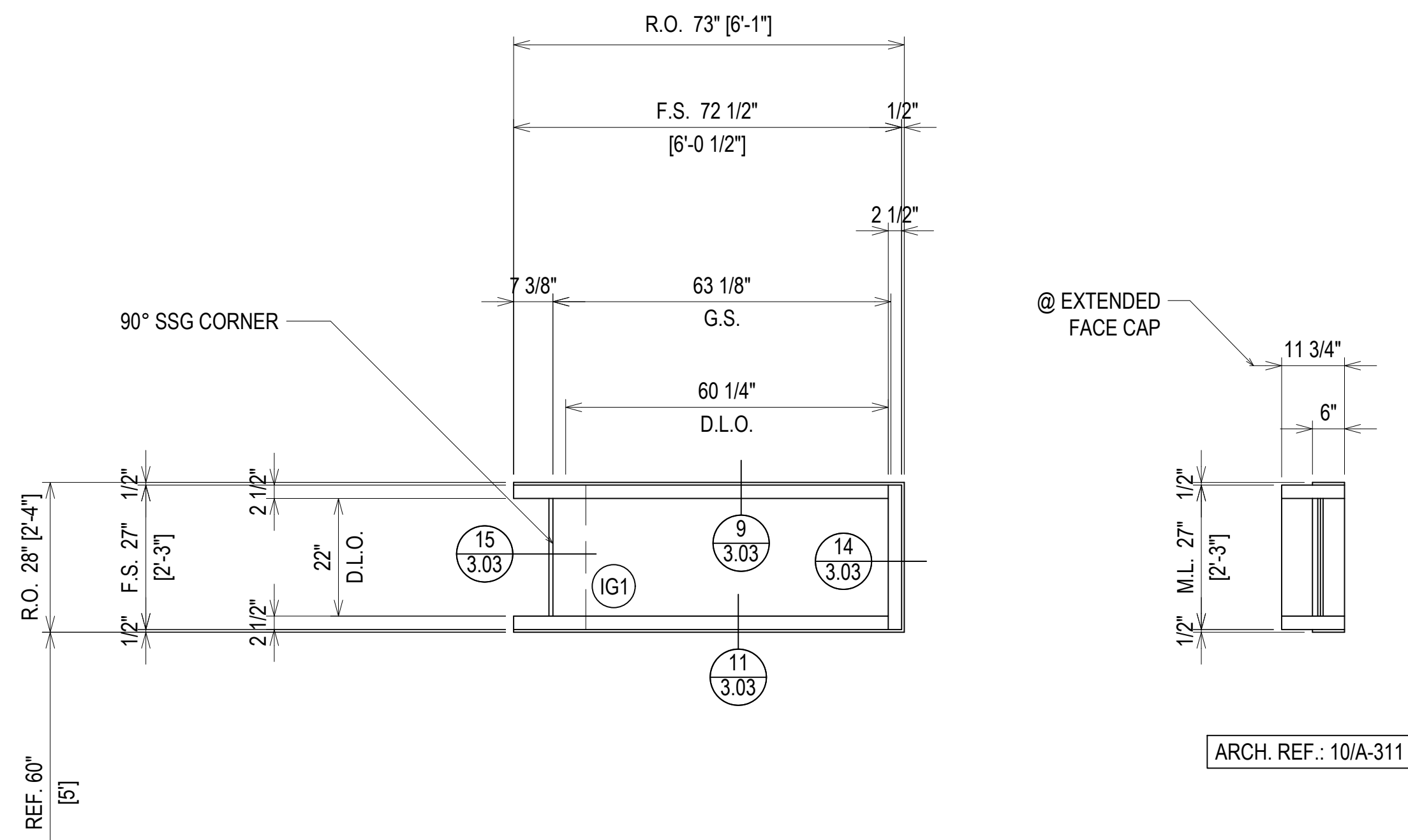
2.02

DESCRIPTION  
DRAWING SUBMISSION

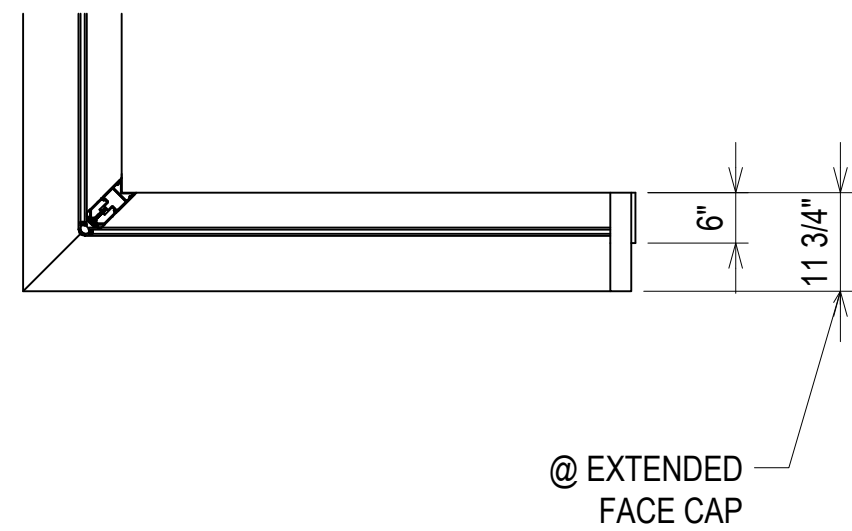
NO

FIRST FLOOR  
100'-0"

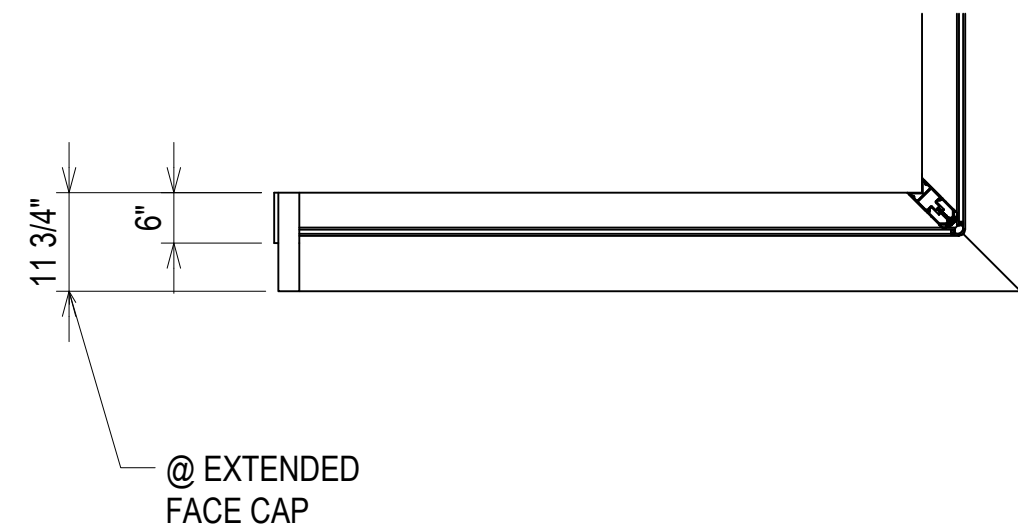
FIRST FLOOR  
100'-0"



CW5  
2.03



ELEVATION CW4  
SCALE: 1/2" = 1'-0"  
TUBELITE CW400 - 2 1/2" X 6"  
EXTERIOR CURTAIN WALL  
1" INSULATED GLASS (FRONT SET)  
QUANTITY: 1



CW4  
2.03

ELEVATION CW5  
SCALE: 1/2" = 1'-0"  
TUBELITE CW400 - 2 1/2" X 6"  
EXTERIOR CURTAIN WALL  
1" INSULATED GLASS (FRONT SET)  
QUANTITY: 1

ERECTOR / G.C. NOTE:  
PLEASE FIELD VERIFY ALL DIMENSIONS

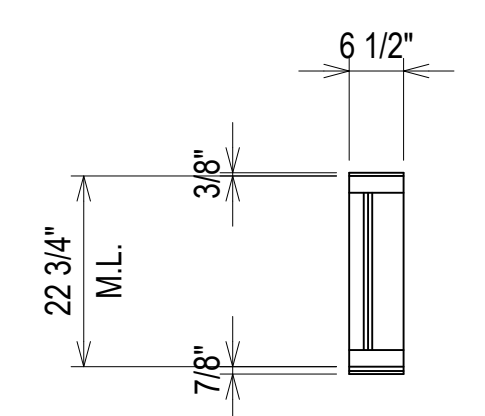
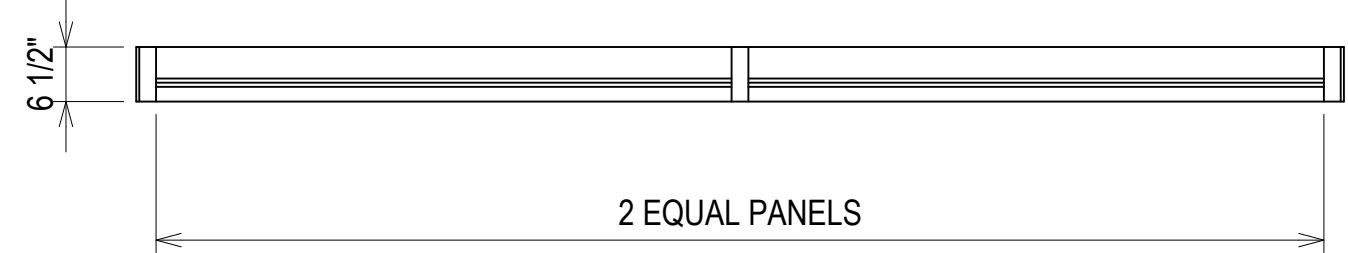
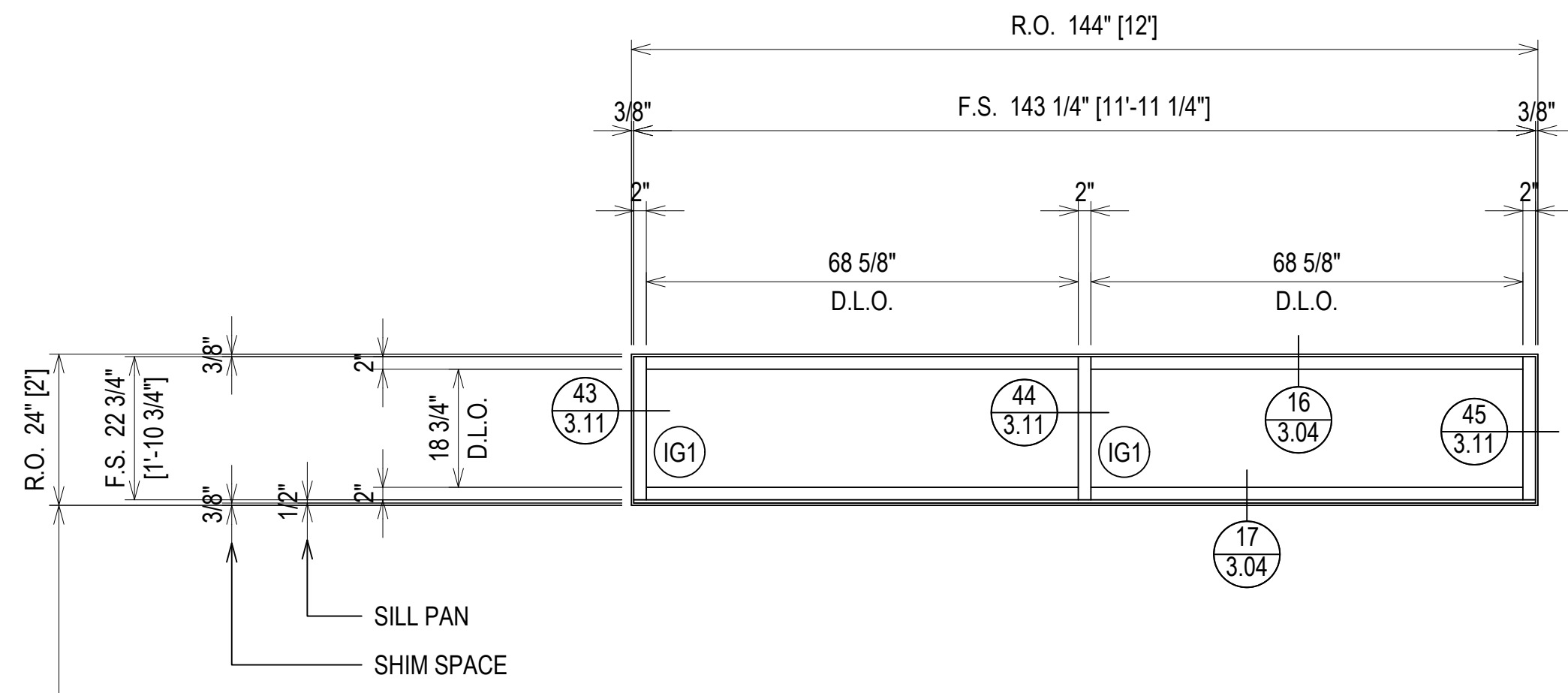
SIXTH CITY GLAZING  
11941 ABBEY ROAD, UNIT E  
NORTH ROYALTON, OH 44133

DRAWN BY:	DATE:
DJ	10.3.22
CHECKED BY:	DATE:
RS	10.3.22

2.03

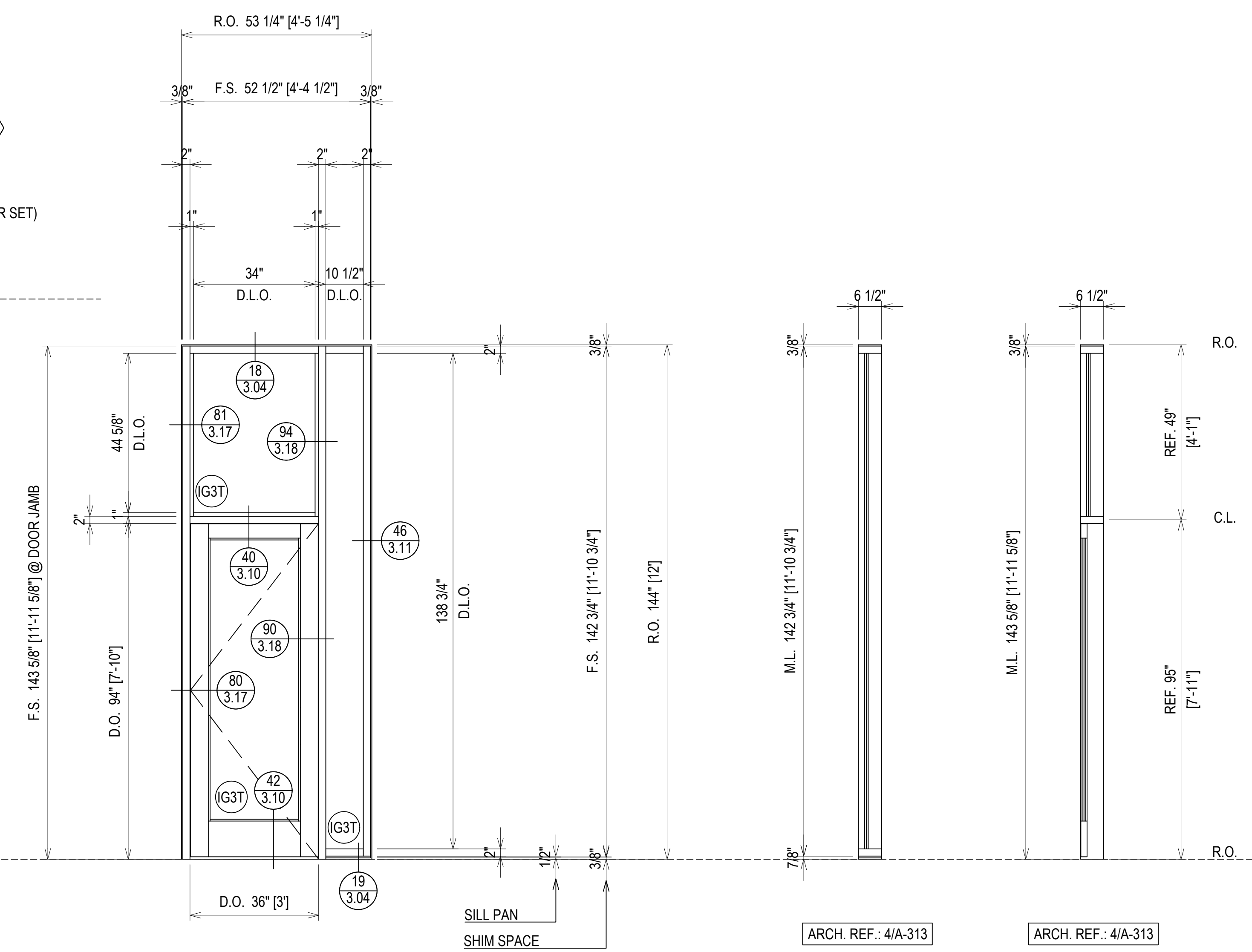
MAYFIELD HEIGHTS AQUATIC AND COMMUNITY CENTER  
6080 MARSOL AVE.  
MAYFIELD HEIGHTS, OH 44124

NO	DESCRIPTION
	DRAWING SUBMISSION



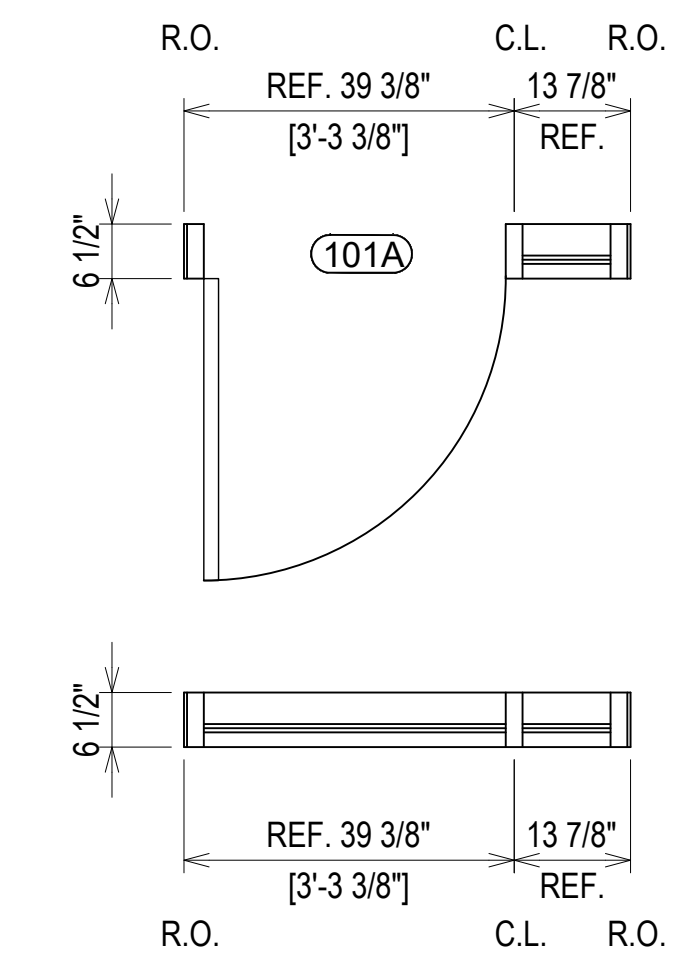
ARCH. REF.: 9/A-313

**ELEVATION SF1**  
 SCALE: 1/2" = 1'-0"  
 TUBELITE T24650 - 2" X 6 1/2"  
 EXTERIOR STOREFRONT  
 1" INSULATED GLASS (CENTER SET)  
 QUANTITY: 1



ARCH. REF.: 4/A-313

ARCH. REF.: 4/A-313



**ELEVATION SF2**  
 SCALE: 1/2" = 1'-0"  
 TUBELITE T24650 - 2" X 6 1/2"  
 EXTERIOR STOREFRONT  
 1" INSULATED GLASS (CENTER SET)  
 QUANTITY: 1

ERECTOR / G.C. NOTE:  
 PLEASE FIELD VERIFY ALL DIMENSIONS

NO	DESCRIPTION

**MAYFIELD HEIGHTS AQUATIC AND COMMUNITY CENTER**  
 6080 MARSOL AVE.  
 MAYFIELD HEIGHTS, OH 44124

**SIXTH CITY GLAZING**  
 11941 ABBEY ROAD, UNIT E  
 NORTH ROYALTON, OH 44133

DRAWN BY:	DATE:
DJ	10.3.22
CHECKED BY:	DATE:
RS	10.3.22

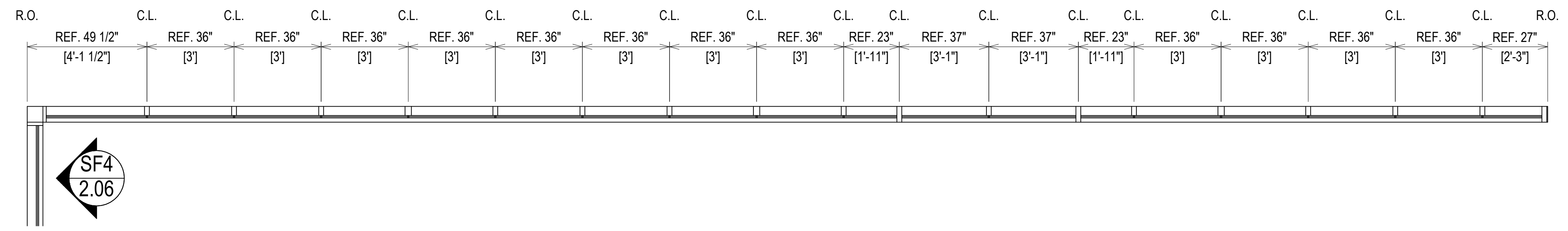
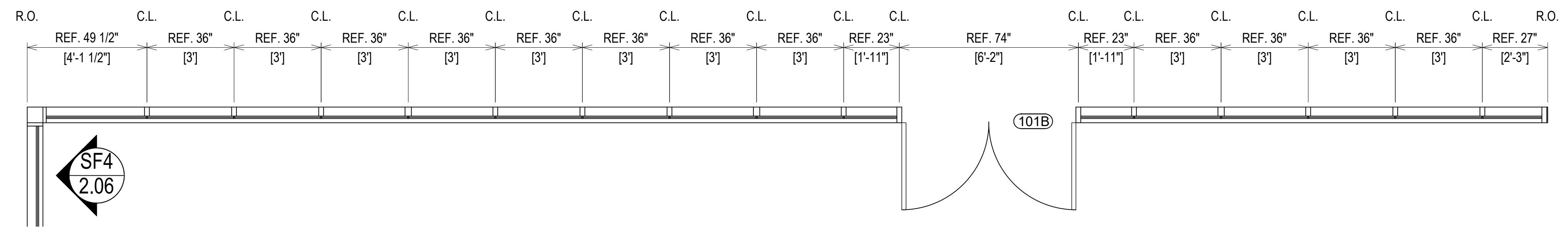
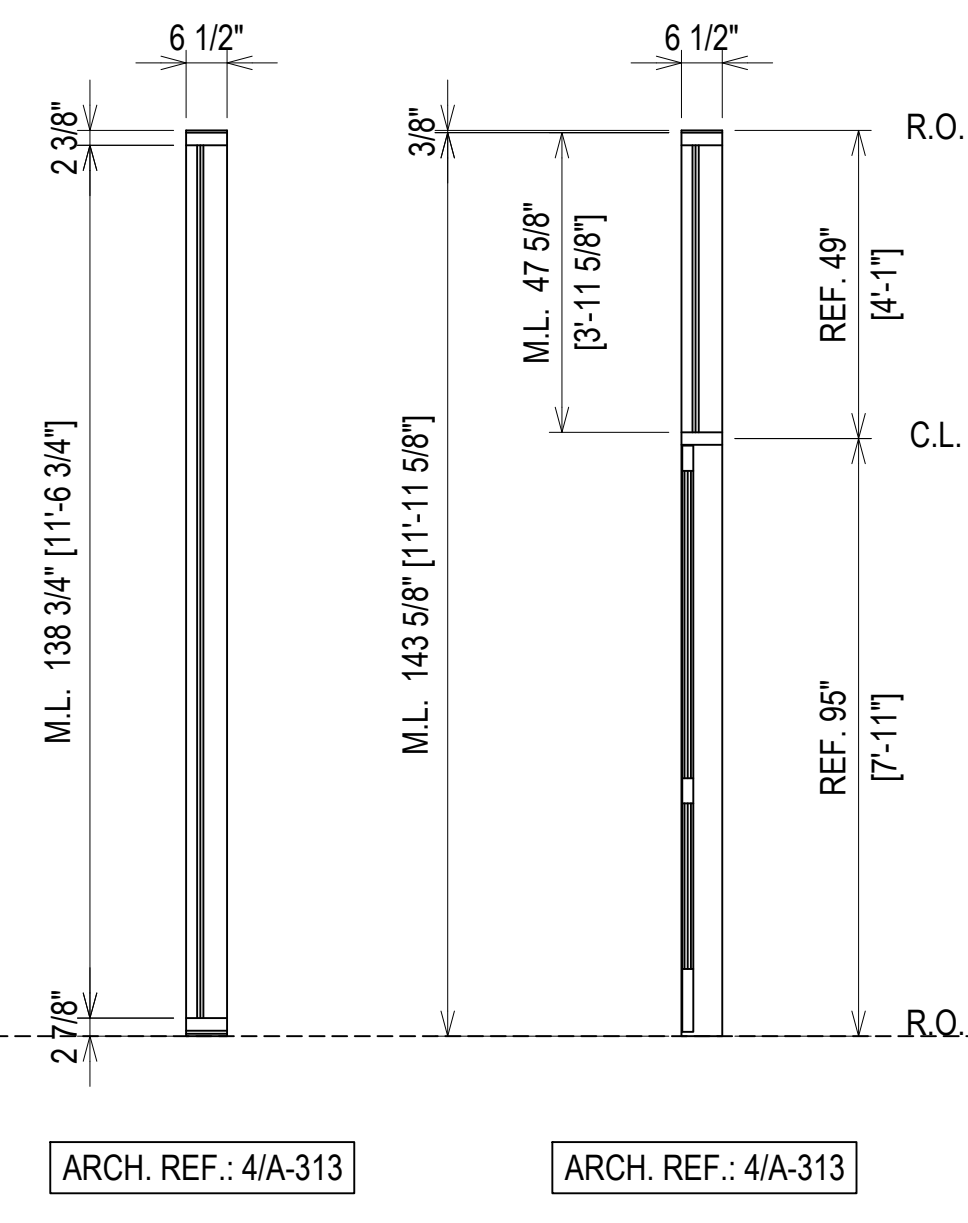
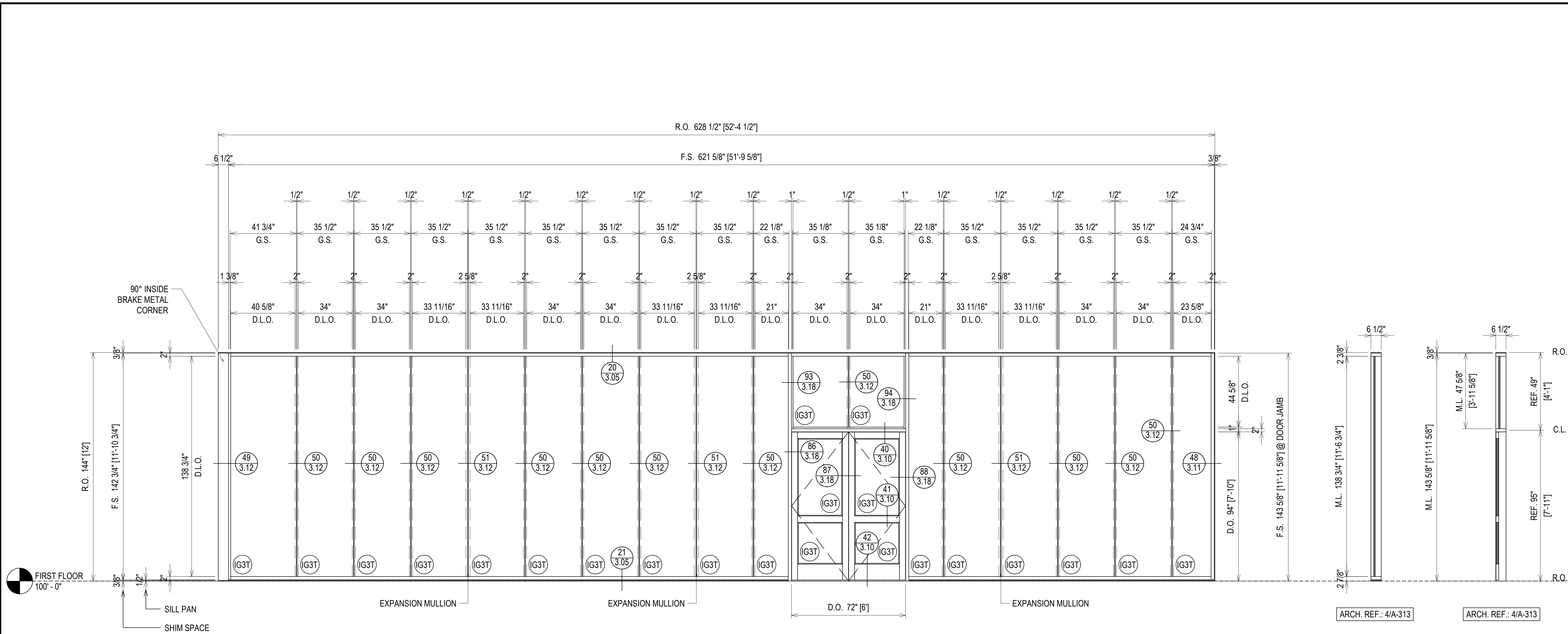
NO	DESCRIPTION

**MAYFIELD HEIGHTS AQUATIC AND COMMUNITY CENTER**  
 6080 MARSOL AVE.  
 MAYFIELD HEIGHTS, OH 44124

SIXTH CITY GLAZING  
 11941 ABBEY ROAD, UNIT E  
 NORTH ROYALTON, OH 44133

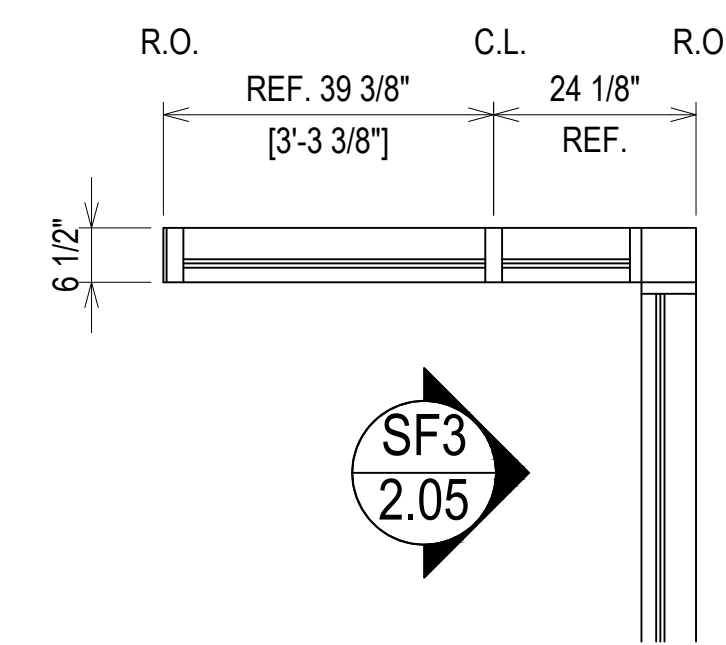
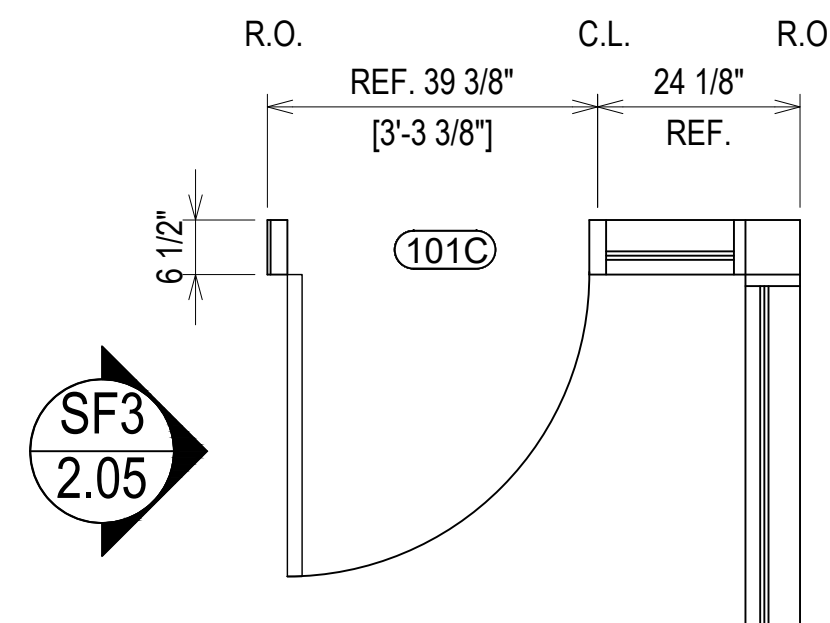
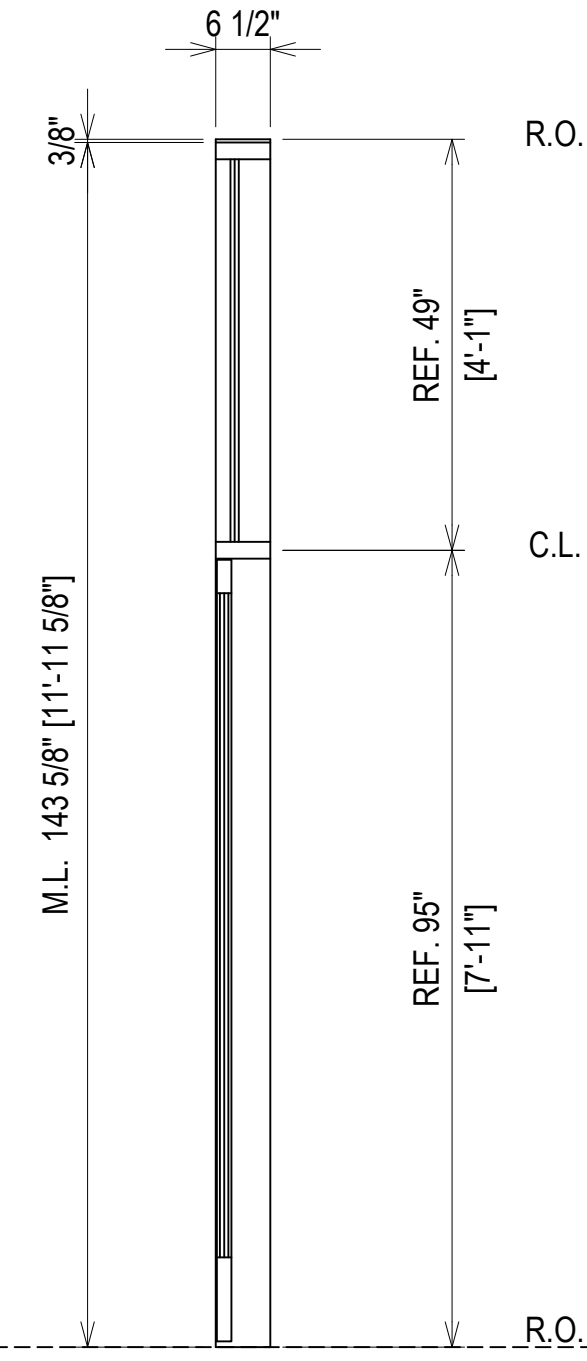
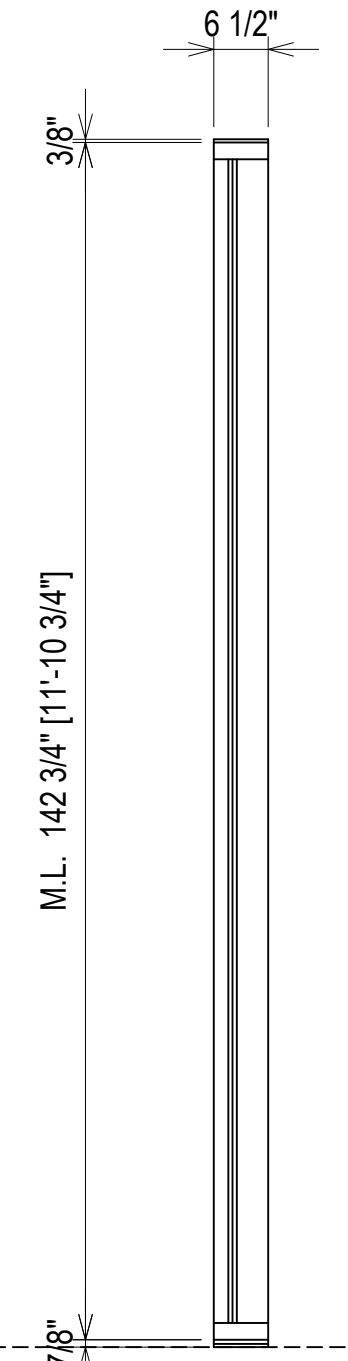
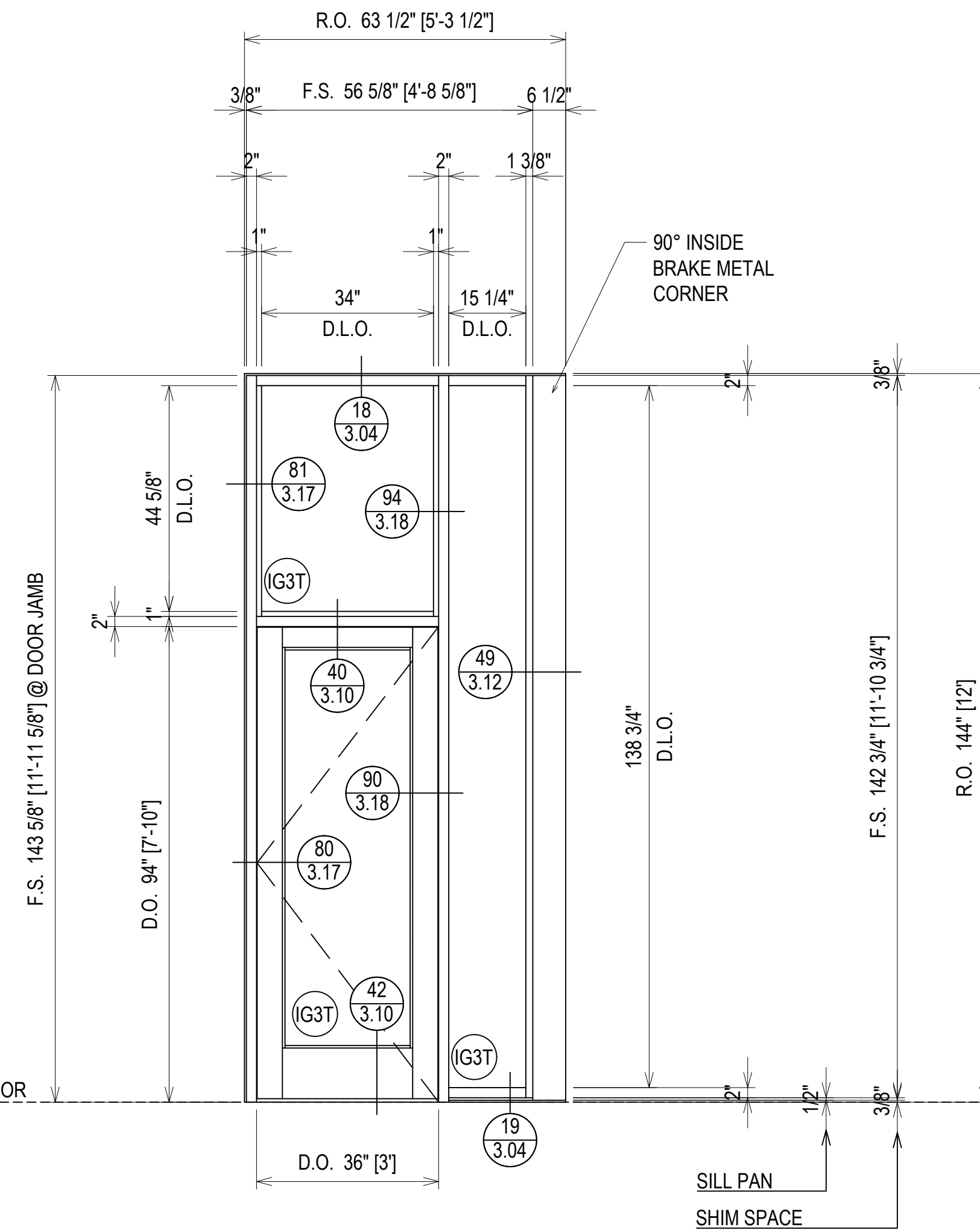
DRAWN BY:	DATE:
DJ	10.3.22
CHECKED BY:	DATE:
RS	10.3.22

**2.05**

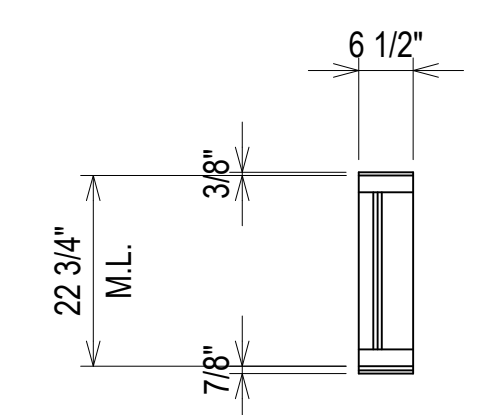
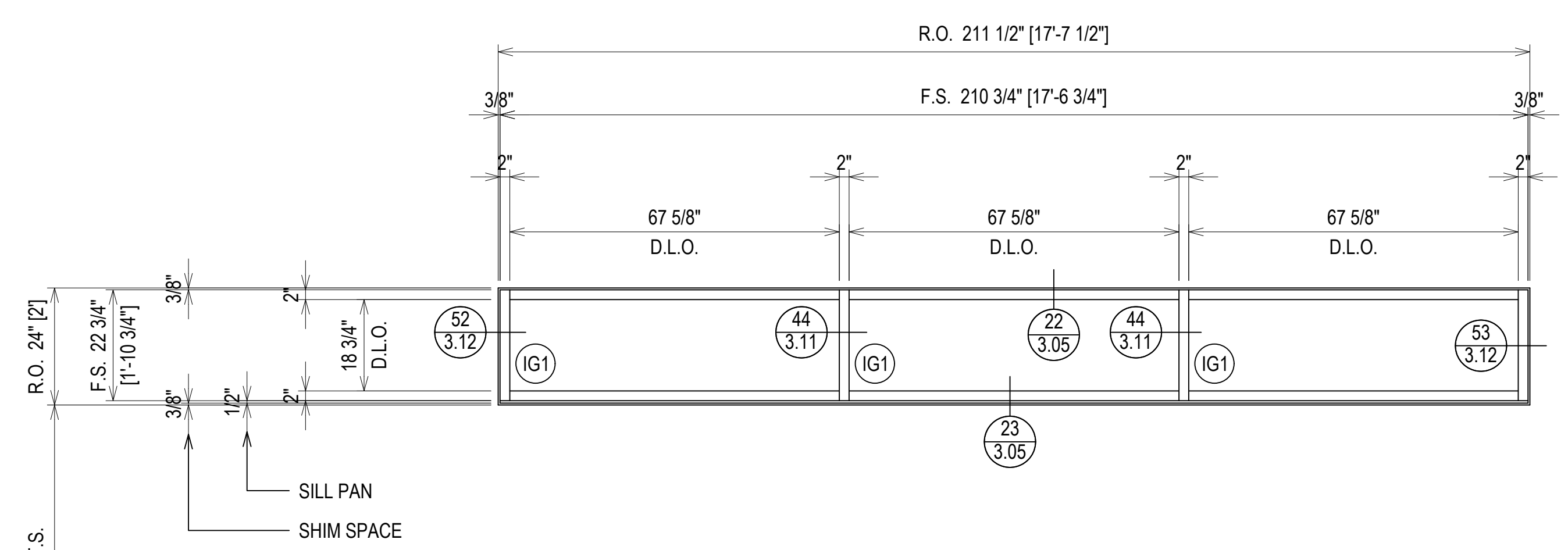


**ELEVATION SF3**  
 SCALE: 3/8" = 1'-0"  
 TUBELITE T24650 - 2" X 6 1/2"  
 EXTERIOR STOREFRONT  
 1" INSULATED GLASS (CENTER SET)  
 QUANTITY: 1

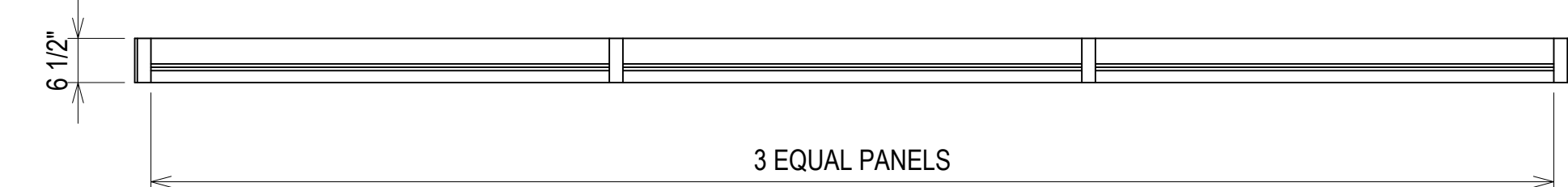
ERECTOR / G.C. NOTE:  
 PLEASE FIELD VERIFY ALL DIMENSIONS



**ELEVATION SF4**  
 SCALE: 1/2" = 1'-0"  
 TUBELITE T24650 - 2" X 6 1/2"  
 EXTERIOR STOREFRONT  
 1" INSULATED GLASS (CENTER SET)  
 QUANTITY: 1



**ELEVATION SF5**  
 SCALE: 1/2" = 1'-0"  
 TUBELITE T24650 - 2" X 6 1/2"  
 EXTERIOR STOREFRONT  
 1" INSULATED GLASS (CENTER SET)  
 QUANTITY: 1



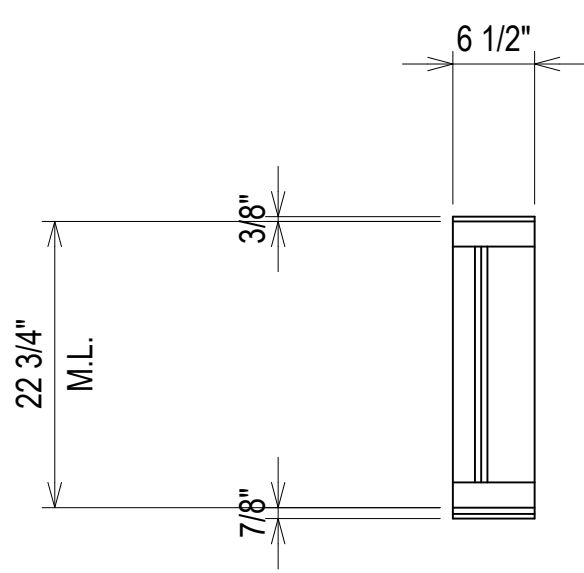
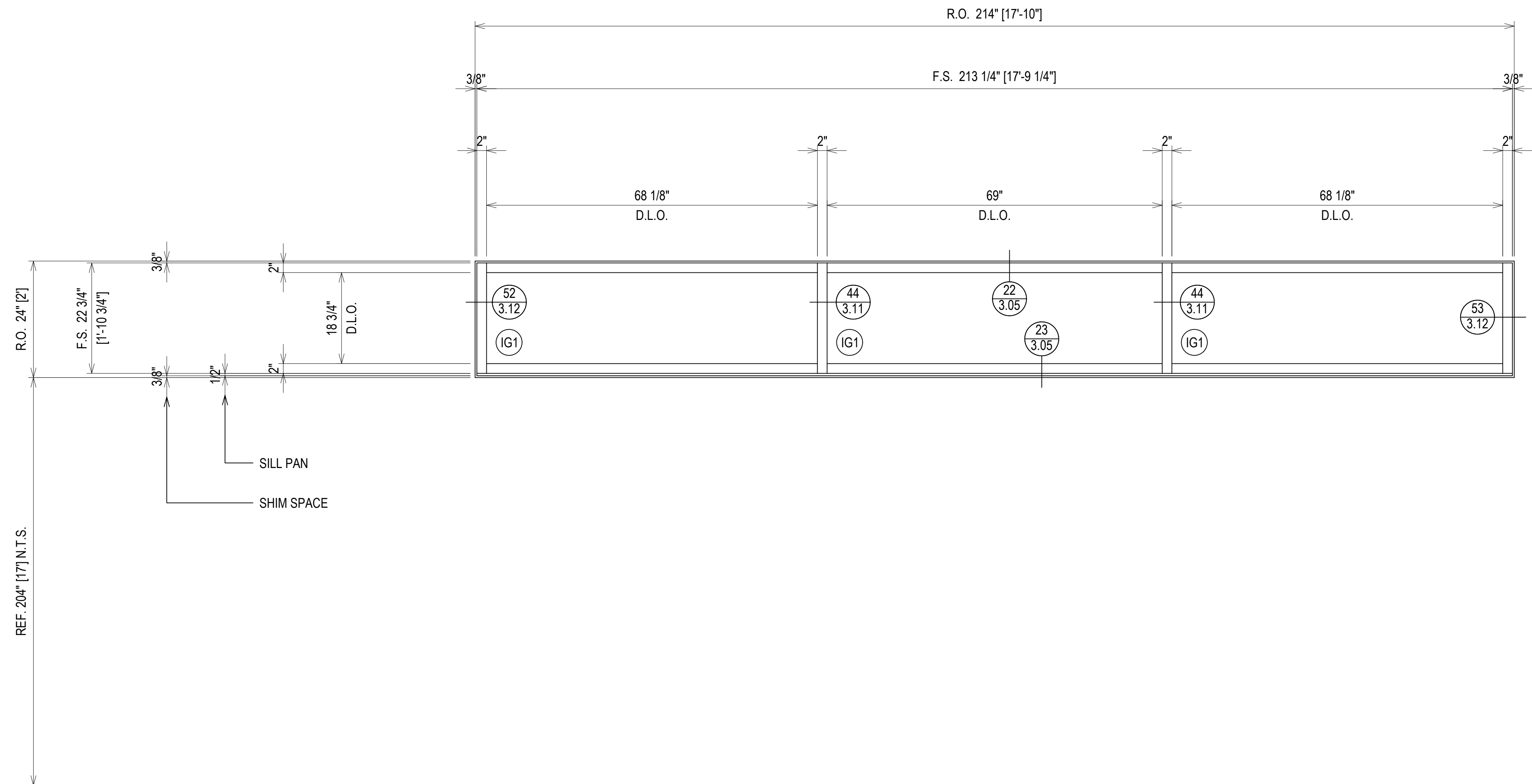
ERECTOR / G.C. NOTE:  
 PLEASE FIELD VERIFY ALL DIMENSIONS

NO	DESCRIPTION

**MAYFIELD HEIGHTS AQUATIC AND COMMUNITY CENTER**  
 6080 MARSOL AVE.  
 MAYFIELD HEIGHTS, OH 44124

SIXTH CITY GLAZING  
 11941 ABBEY ROAD, UNIT E  
 NORTH ROYALTON, OH 44133

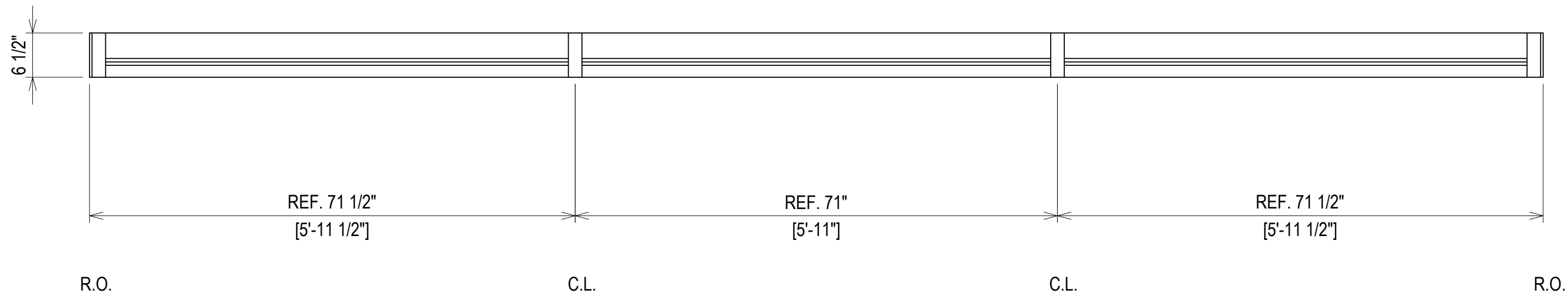
DRAWN BY:	DATE:
DJ	10.3.22
CHECKED BY:	DATE:
RS	10.3.22



ARCH. REF.: 11/A-311



FIRST FLOOR  
100'-0"



**ELEVATION** SF6  
 SCALE: 3/4" = 1'-0"  
 TUBELITE T24650 - 2" X 6 1/2"  
 EXTERIOR STOREFRONT  
 1" INSULATED GLASS (CENTER SET)  
 QUANTITY: 1

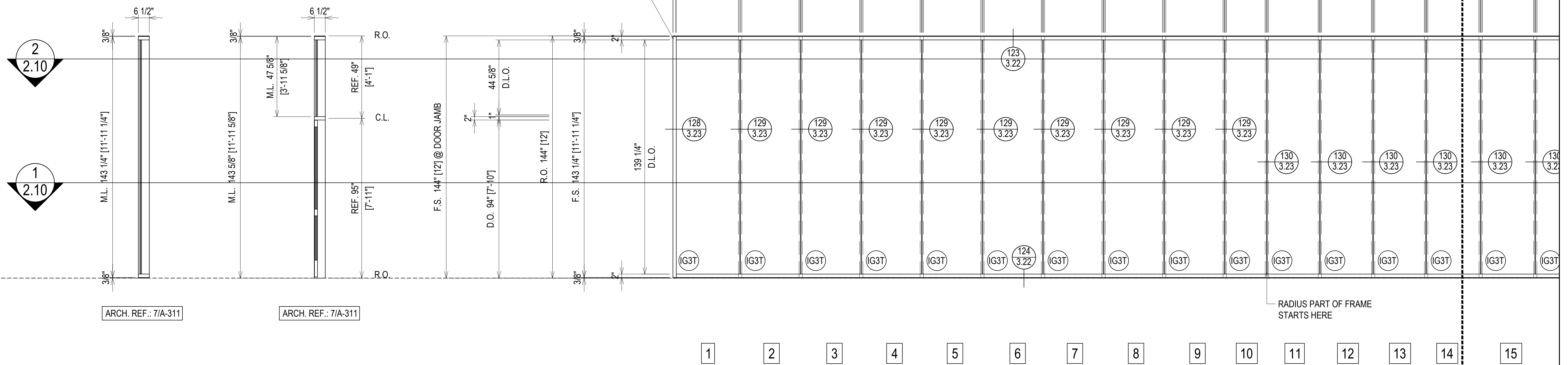
NO	DESCRIPTION

**MAYFIELD HEIGHTS AQUATIC AND COMMUNITY CENTER**  
 6080 MARSOL AVE.  
 MAYFIELD HEIGHTS, OH 44124

SIXTH CITY GLAZING  
 11941 ABBEY ROAD, UNIT E  
 NORTH ROYALTON, OH 44133

DRAWN BY:	DATE:
DJ	10.3.22
CHECKED BY:	DATE:
RS	10.3.22

FIRST FLOOR  
100'-0"



ARCH. REF.: 7/A-311

ARCH. REF.: 7/A-311

RADIUS PART OF FRAME  
STARTS HERE

**ELEVATION** SF7  
 SCALE: 3/8" = 1'-0"  
 TUBELITE CW200 - 2" X 6 1/2"  
 EXTERIOR CURTAIN WALL  
 1" INSULATED GLASS (FRONT SET)  
 QUANTITY: 1

ERECTOR / G.C. NOTE:  
PLEASE FIELD VERIFY ALL DIMENSIONS

NO	DESCRIPTION

**MAYFIELD HEIGHTS AQUATIC AND COMMUNITY CENTER**  
 6080 MARSOL AVE.  
 MAYFIELD HEIGHTS, OH 44124

**SIXTH CITY GLAZING**  
 11941 ABBEY ROAD, UNIT E  
 NORTH ROYALTON, OH 44133

DRAWN BY:	DATE:
DJ	10.3.22
CHECKED BY:	DATE:
RS	10.3.22

**2.08**

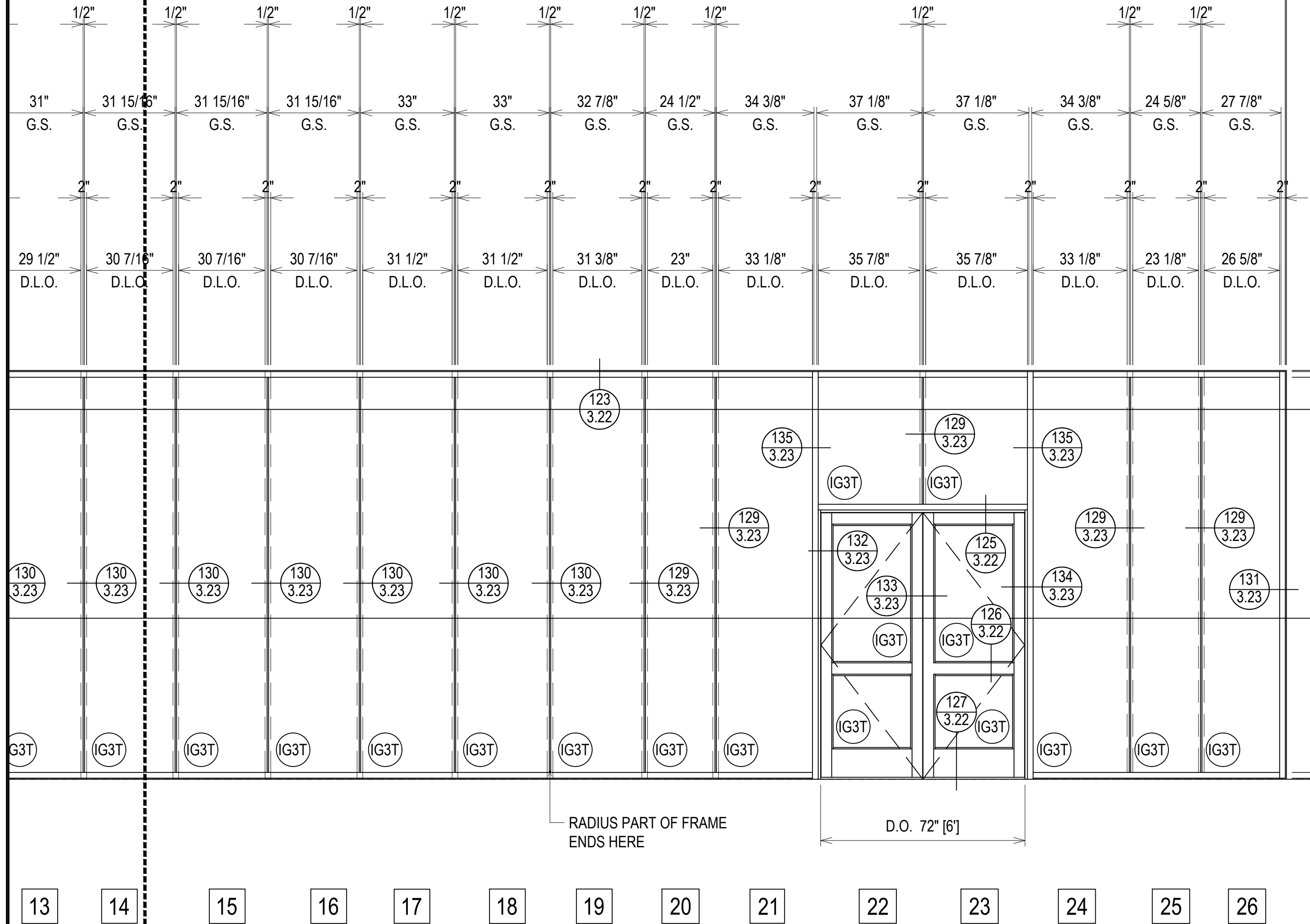
DRAWING SUBMISSION

MATCHLINE

MATCHLINE

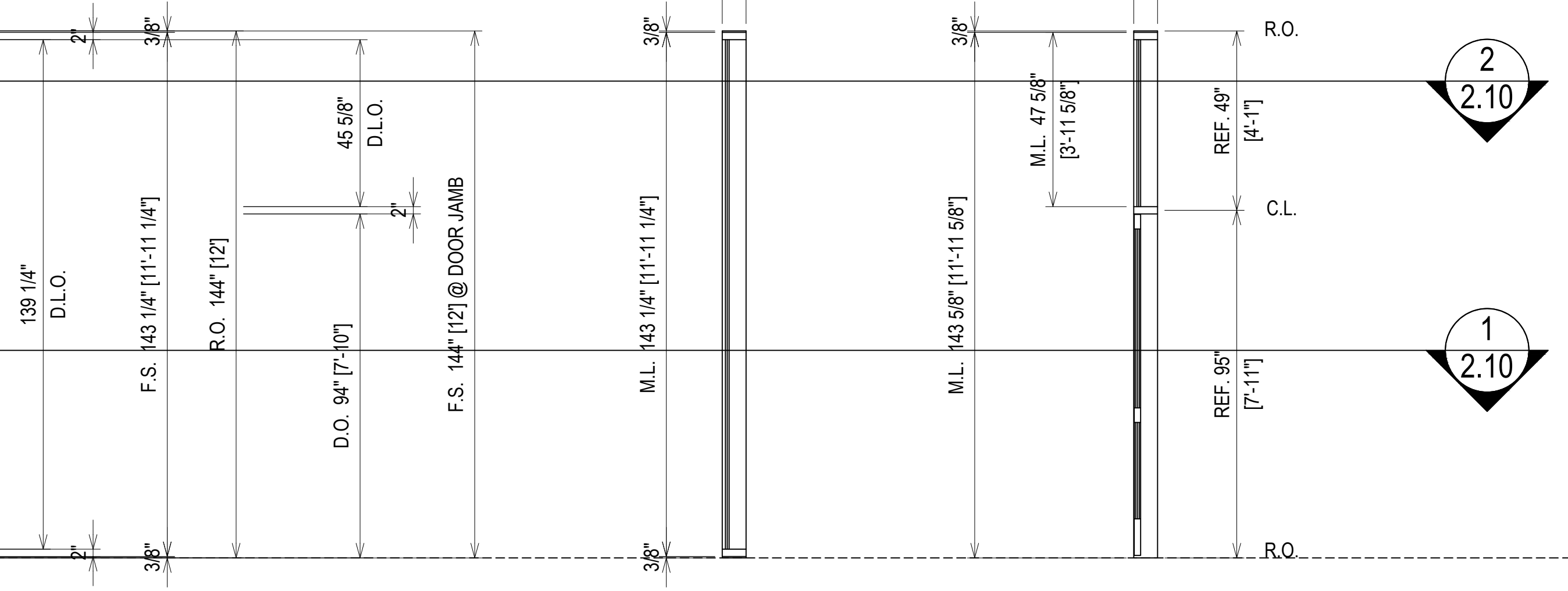
R.O. 871 7/16" [72'-7 7/16"] FLATTENED OUT FOR CLARITY

F.S. 871 1/16" [72'-7 1/16"] FLATTENED OUT FOR CLARITY



RADIUS PART OF FRAME ENDS HERE

D.O. 72" [6']



FIRST FLOOR 100' - 0"

**ELEVATION** **SF7**  
 SCALE: 3/8" = 1'-0"  
 TUBELITE CW200 - 2" X 6 1/2"  
 EXTERIOR CURTAIN WALL  
 1" INSULATED GLASS (FRONT SET)  
 QUANTITY: 1

ERECTOR / G.C. NOTE:  
PLEASE FIELD VERIFY ALL DIMENSIONS

NO	DESCRIPTION

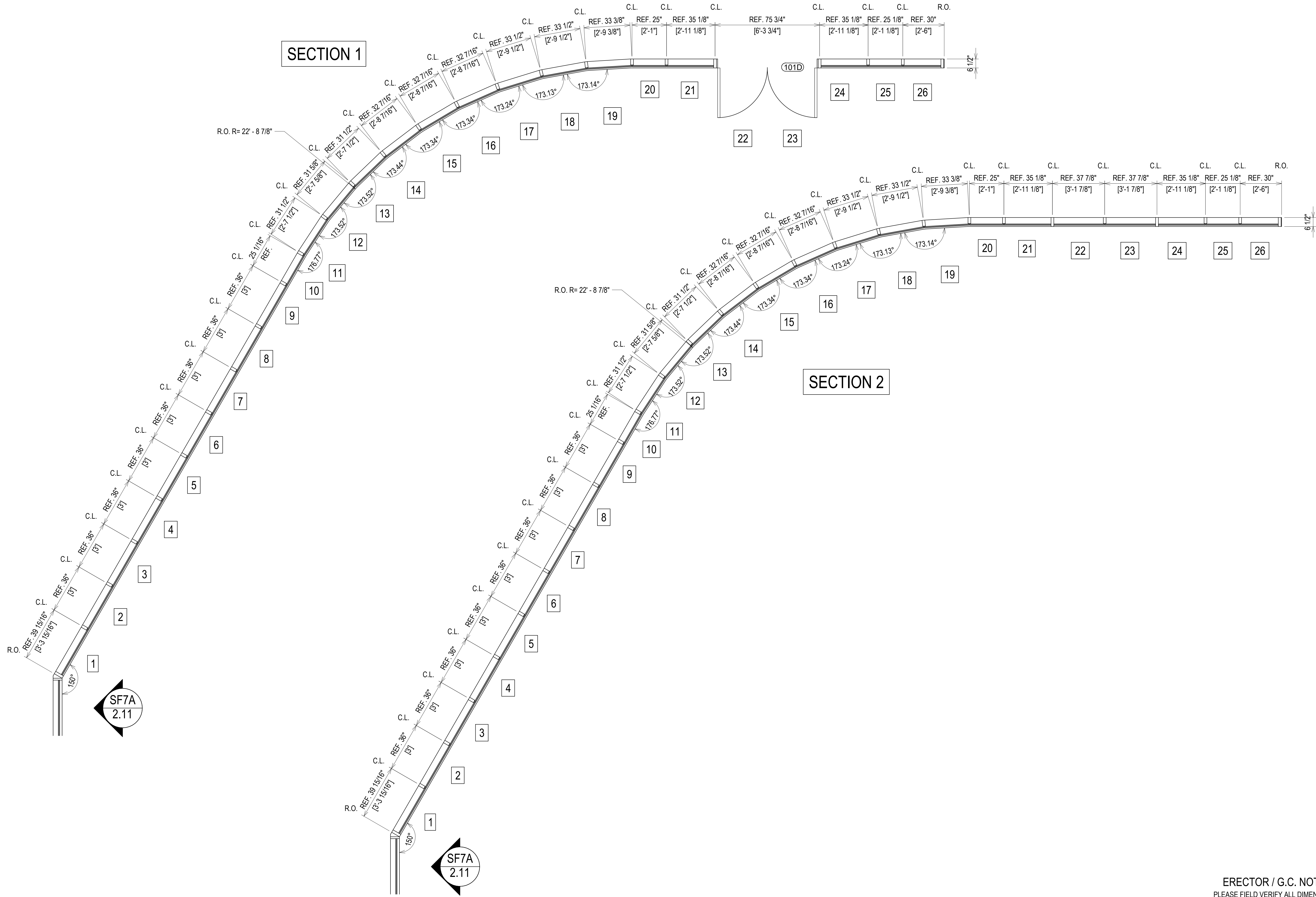
**MAYFIELD HEIGHTS AQUATIC AND COMMUNITY CENTER**  
 6080 MARSOL AVE.  
 MAYFIELD HEIGHTS, OH 44124

SIXTH CITY GLAZING  
 11941 ABBEY ROAD, UNIT E  
 NORTH ROYALTON, OH 44133

DRAWN BY:	DATE:
DJ	10.3.22
CHECKED BY:	DATE:
RS	10.3.22

2.09





NO	DESCRIPTION

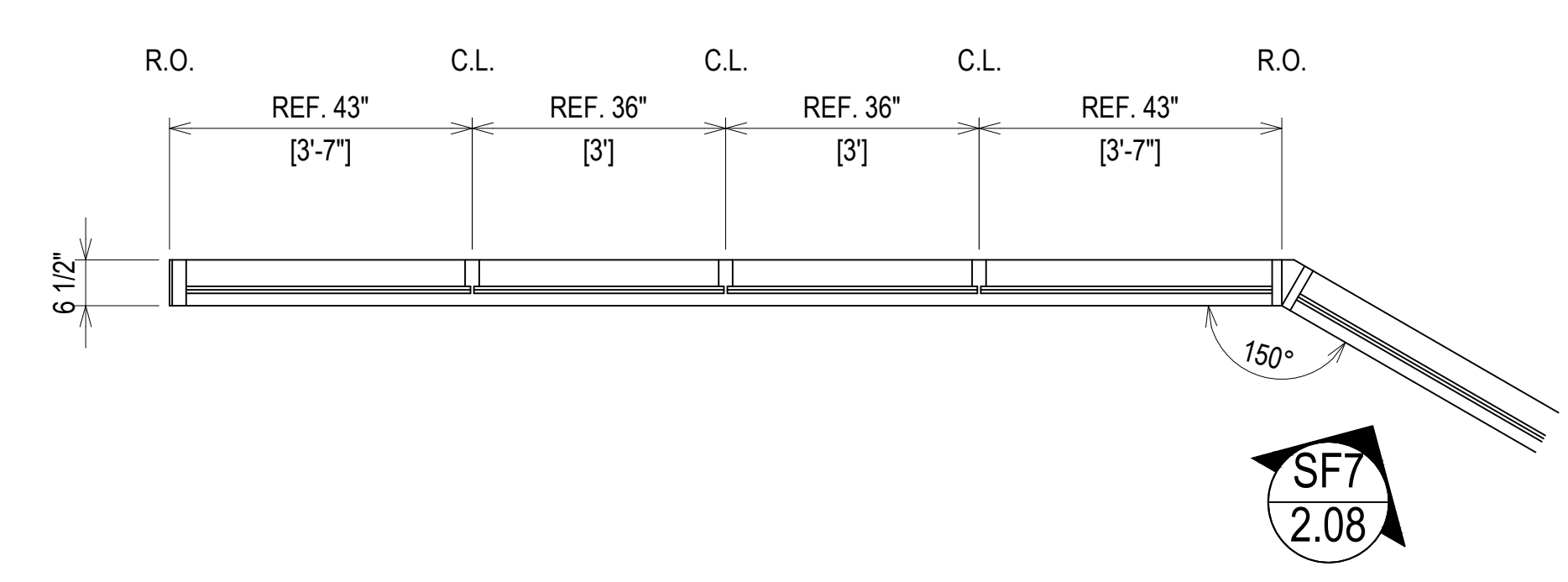
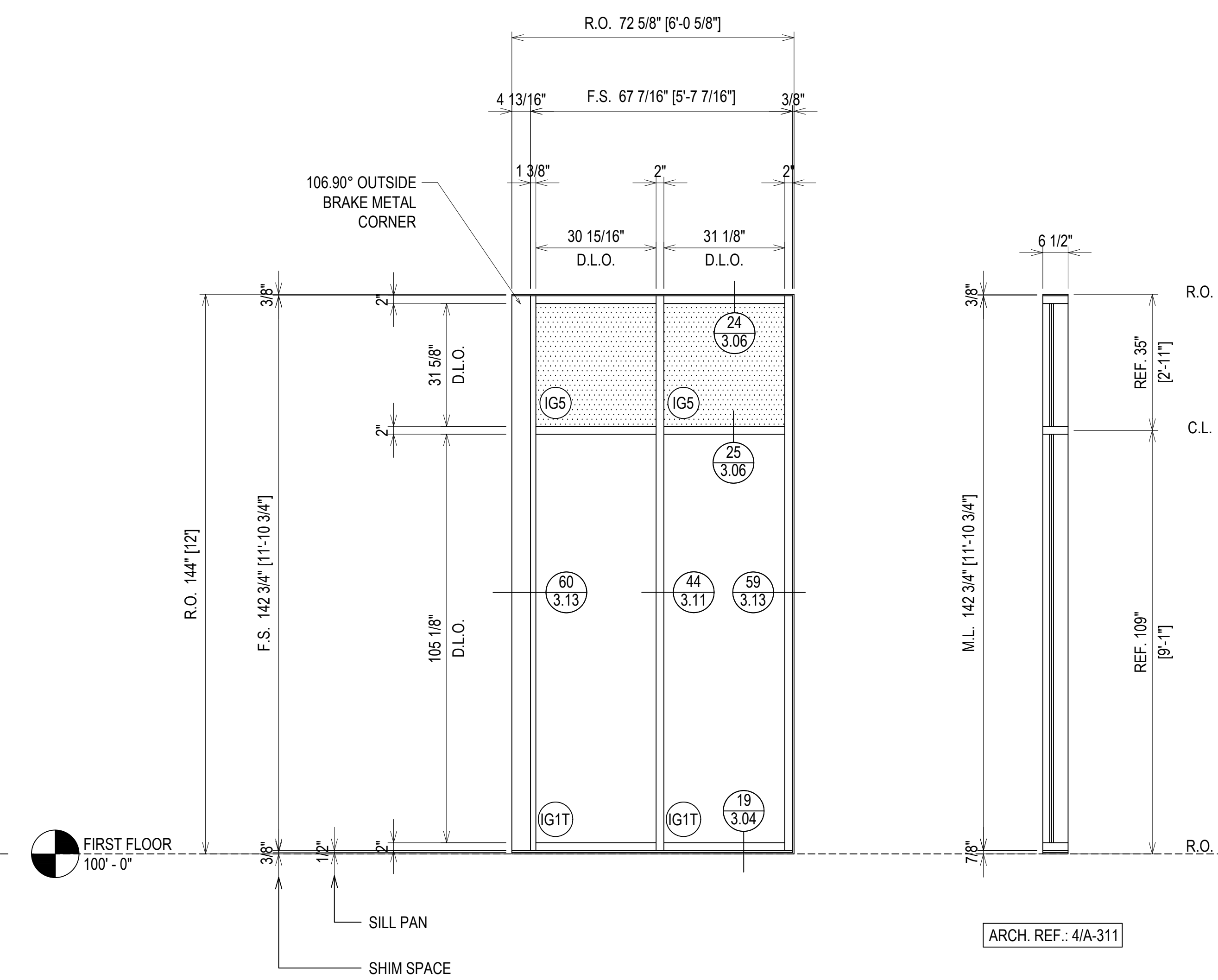
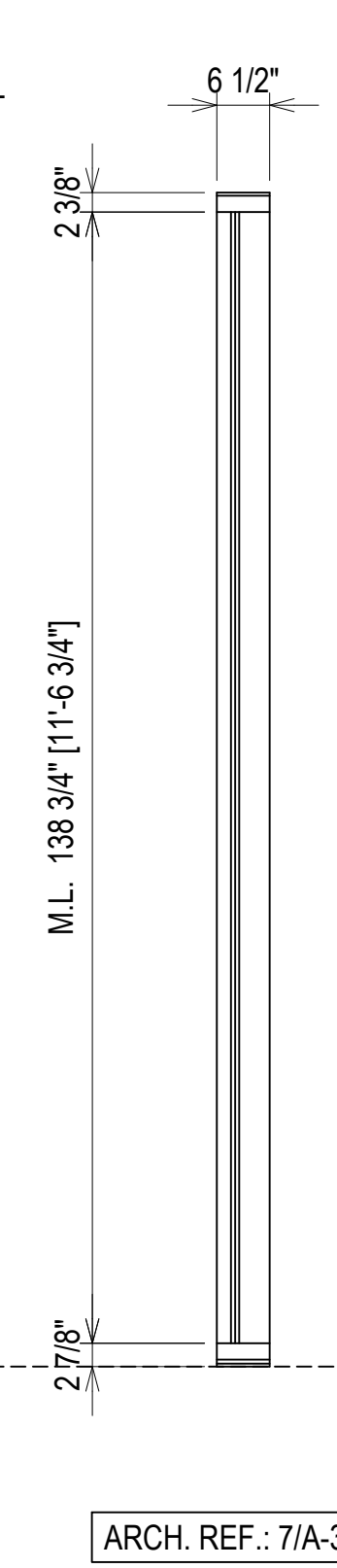
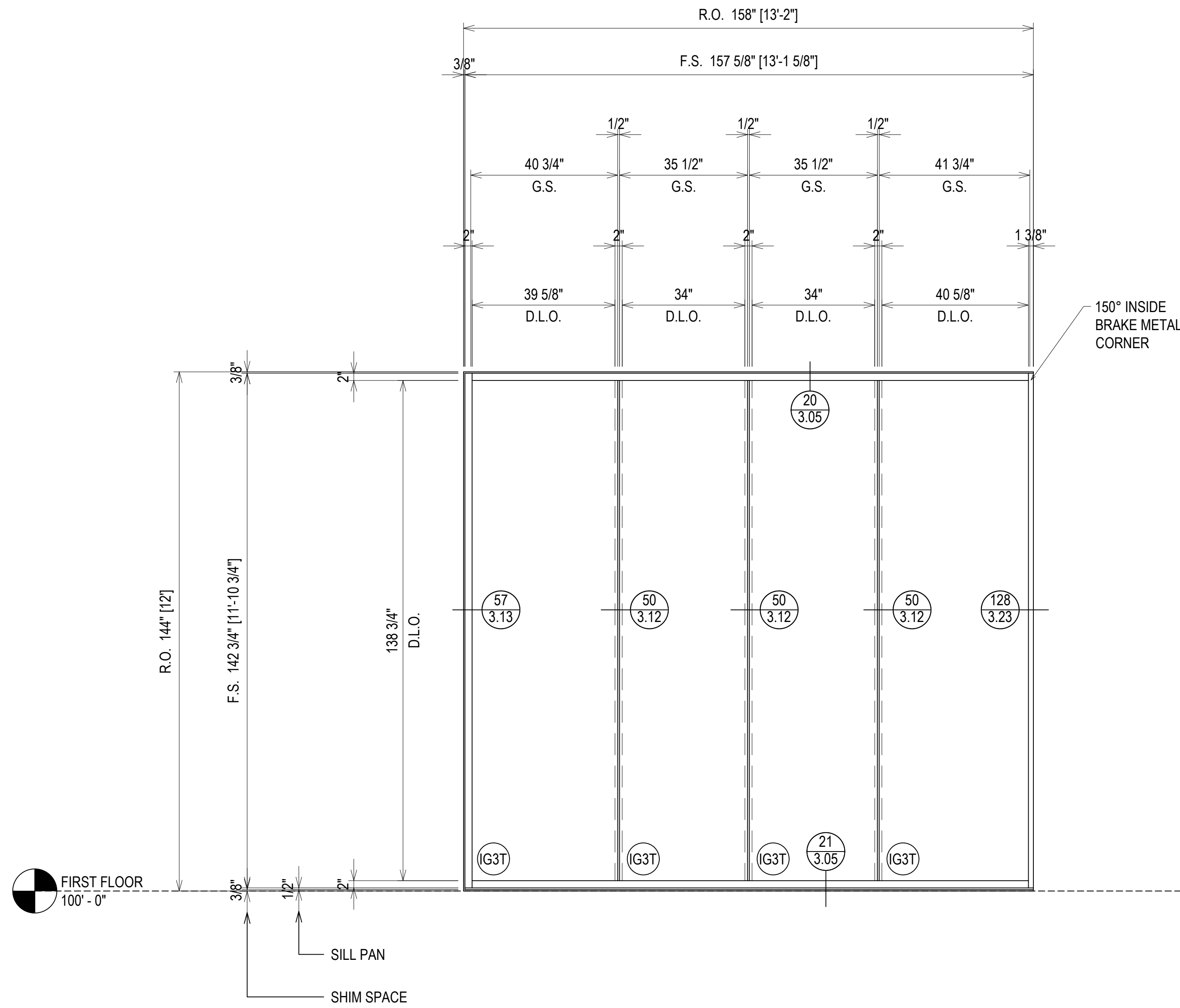
**MAYFIELD HEIGHTS AQUATIC AND COMMUNITY CENTER**  
 6080 MARSOL AVE.  
 MAYFIELD HEIGHTS, OH 44124

SIXTH CITY GLAZING  
 11941 ABBEY ROAD, UNIT E  
 NORTH ROYALTON, OH 44133

DRAWN BY:	DATE:
DJ	10.3.22
CHECKED BY:	DATE:
RS	10.3.22

ERECTOR / G.C. NOTE:  
 PLEASE FIELD VERIFY ALL DIMENSIONS

**2.10**



**ELEVATION SF7A**  
 SCALE: 1/2" = 1'-0"  
 TUBELITE T24650 - 2" X 6 1/2"  
 EXTERIOR STOREFRONT  
 1" INSULATED GLASS (CENTER SET)  
 QUANTITY: 1

**ELEVATION SF8**  
 SCALE: 1/2" = 1'-0"  
 TUBELITE T24650 - 2" X 6 1/2"  
 EXTERIOR STOREFRONT  
 1" INSULATED GLASS (CENTER SET)  
 QUANTITY: 1

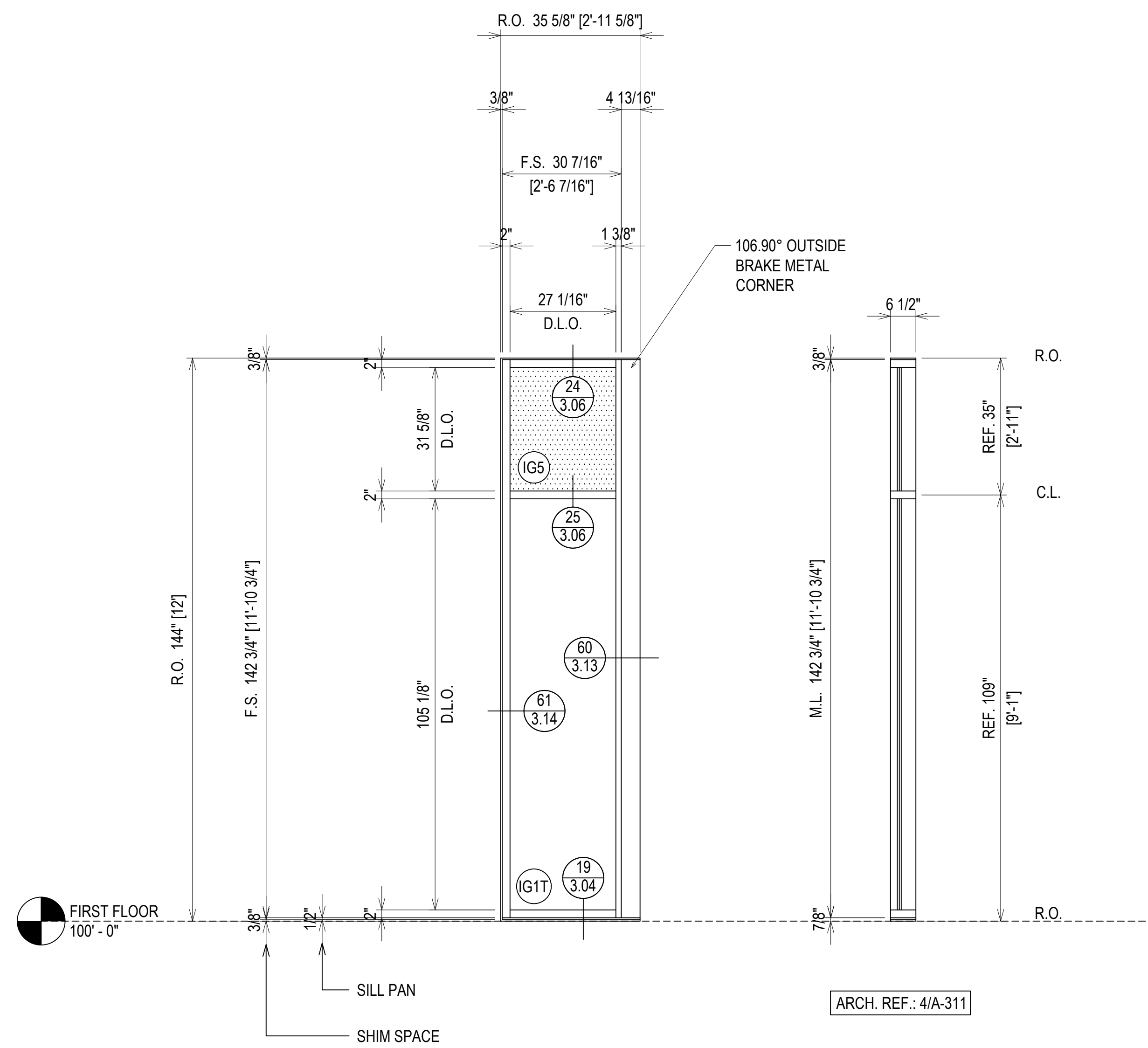
NO	DESCRIPTION

**MAYFIELD HEIGHTS AQUATIC AND COMMUNITY CENTER**  
 6080 MARSOL AVE.  
 MAYFIELD HEIGHTS, OH 44124

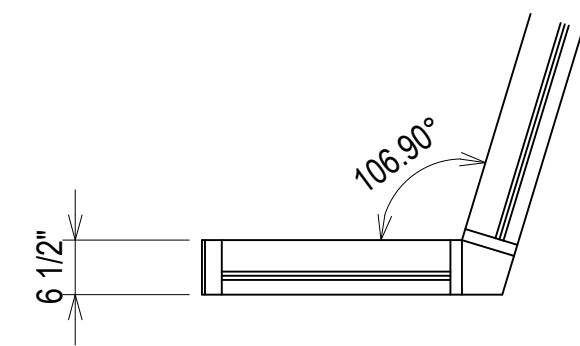
SIXTH CITY GLAZING  
 11941 ABBEY ROAD, UNIT E  
 NORTH ROYALTON, OH 44133

DRAWN BY:	DATE:
DJ	10.3.22
CHECKED BY:	DATE:
RS	10.3.22

ERECTOR / G.C. NOTE:  
 PLEASE FIELD VERIFY ALL DIMENSIONS

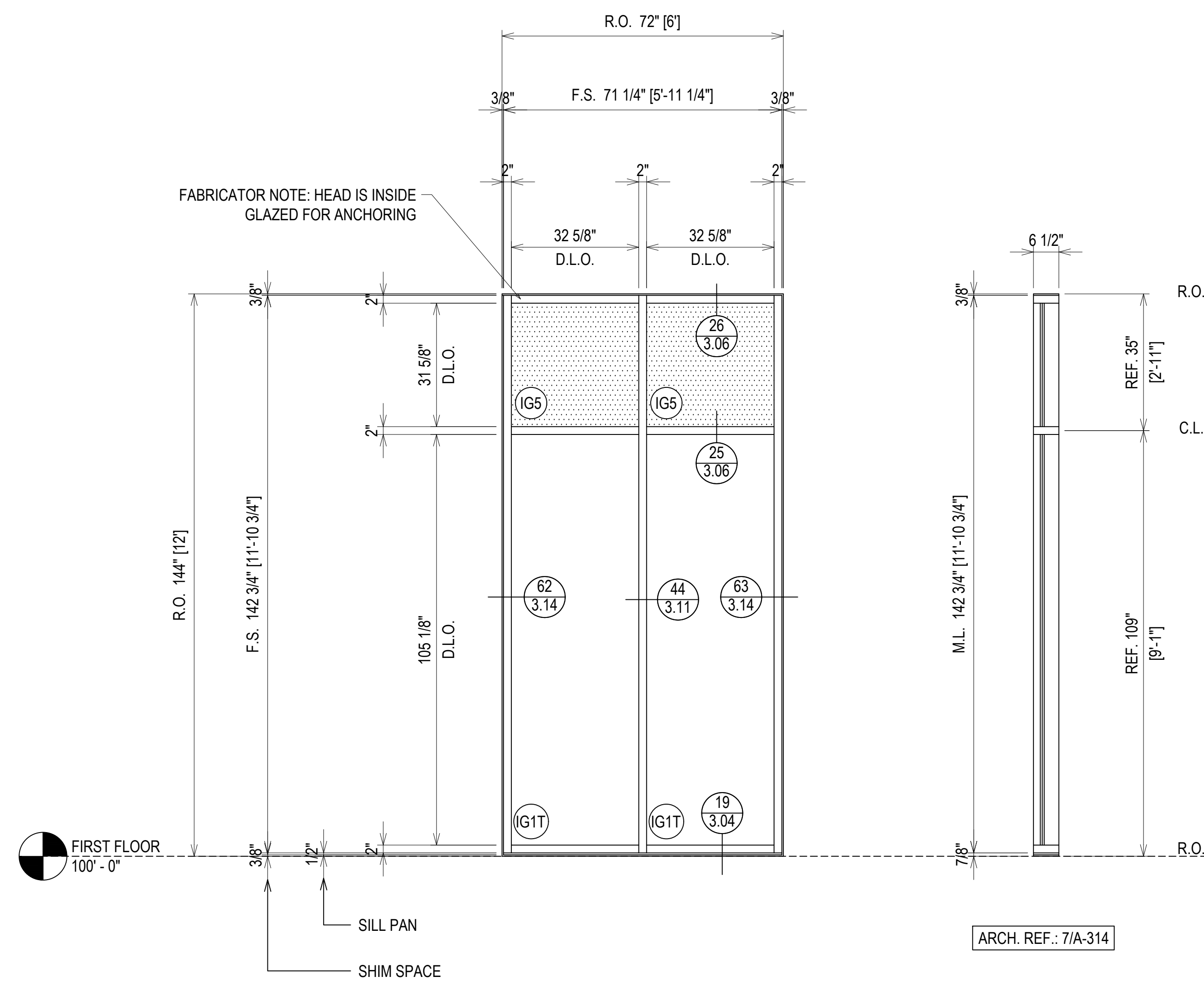


ARCH. REF.: 4/A-311

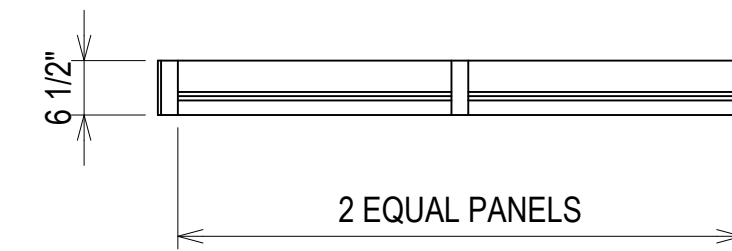


**SF8**  
2.11

**ELEVATION SF9**  
SCALE: 1/2" = 1'-0"  
TUBELITE T24650 - 2" X 6 1/2"  
EXTERIOR STOREFRONT  
1" INSULATED GLASS (CENTER SET)  
QUANTITY: 1



ARCH. REF.: 7/A-314



**ELEVATION SF10**  
SCALE: 1/2" = 1'-0"  
TUBELITE T24650 - 2" X 6 1/2"  
EXTERIOR STOREFRONT  
1" INSULATED GLASS (CENTER SET)  
QUANTITY: 1

ERECTOR / G.C. NOTE:  
PLEASE FIELD VERIFY ALL DIMENSIONS

NO	DESCRIPTION	DRAWING SUBMISSION

**MAYFIELD HEIGHTS AQUATIC AND COMMUNITY CENTER**  
6080 MARSOL AVE.  
MAYFIELD HEIGHTS, OH 44124

SIXTH CITY GLAZING  
11941 ABBEY ROAD, UNIT E  
NORTH ROYALTON, OH 44133

DRAWN BY:	DATE:
DJ	10.3.22
CHECKED BY:	DATE:
RS	10.3.22

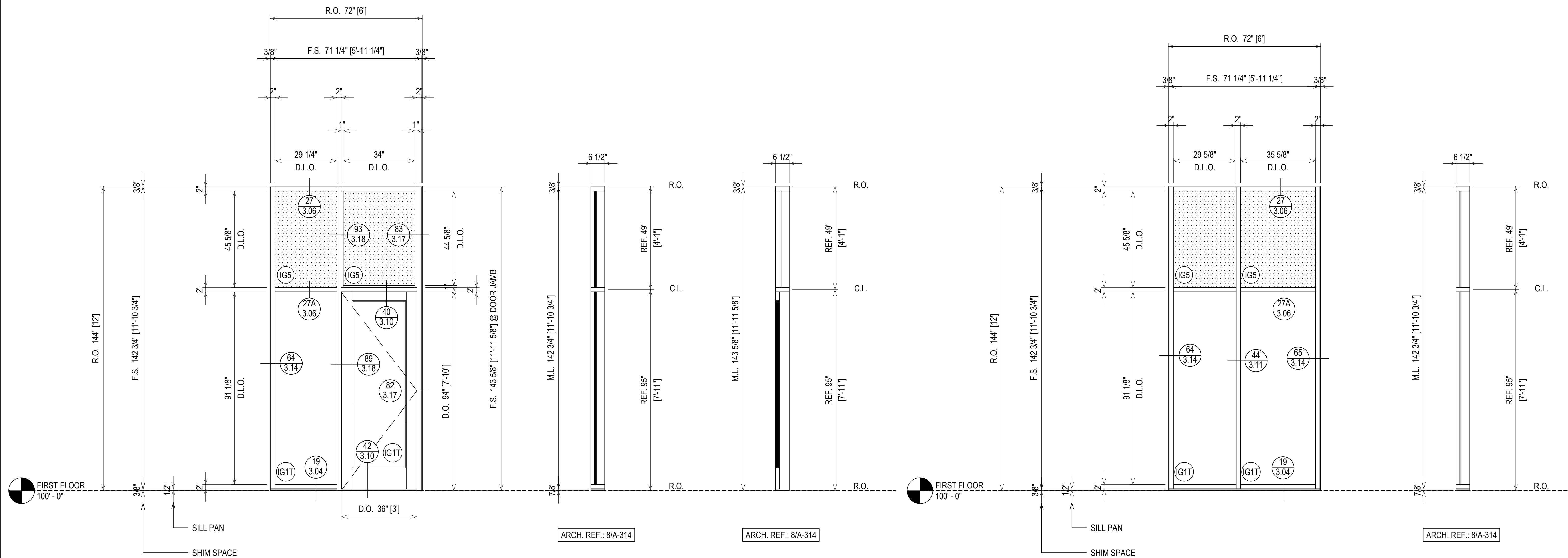
**2.12**

NO.	DESCRIPTION
	DRAWING SUBMISSION

**MAYFIELD HEIGHTS AQUATIC AND COMMUNITY CENTER**  
 6080 MARSOL AVE.  
 MAYFIELD HEIGHTS, OH 44124

SIXTH CITY GLAZING  
 11941 ABBEY ROAD, UNIT E  
 NORTH ROYALTON, OH 44133

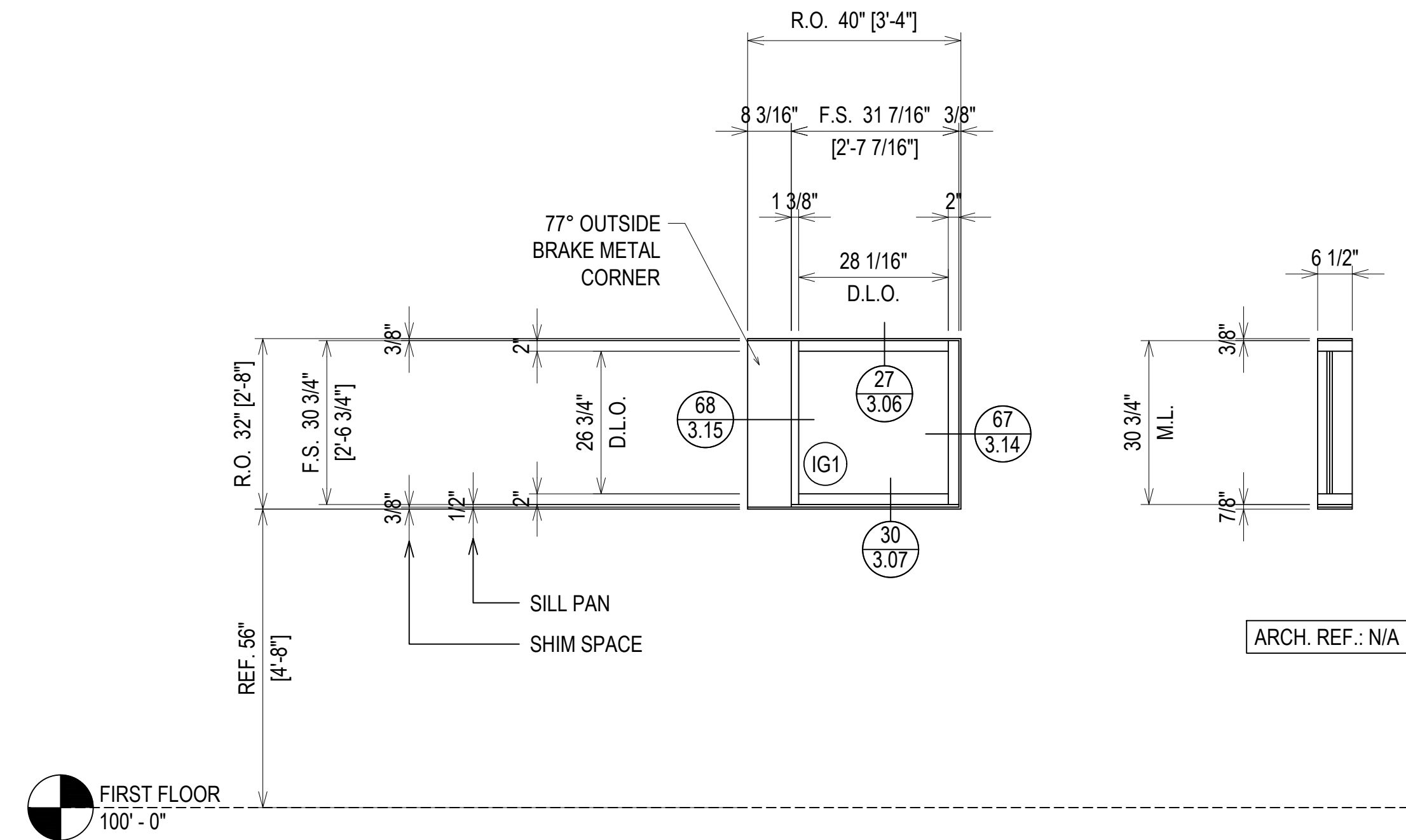
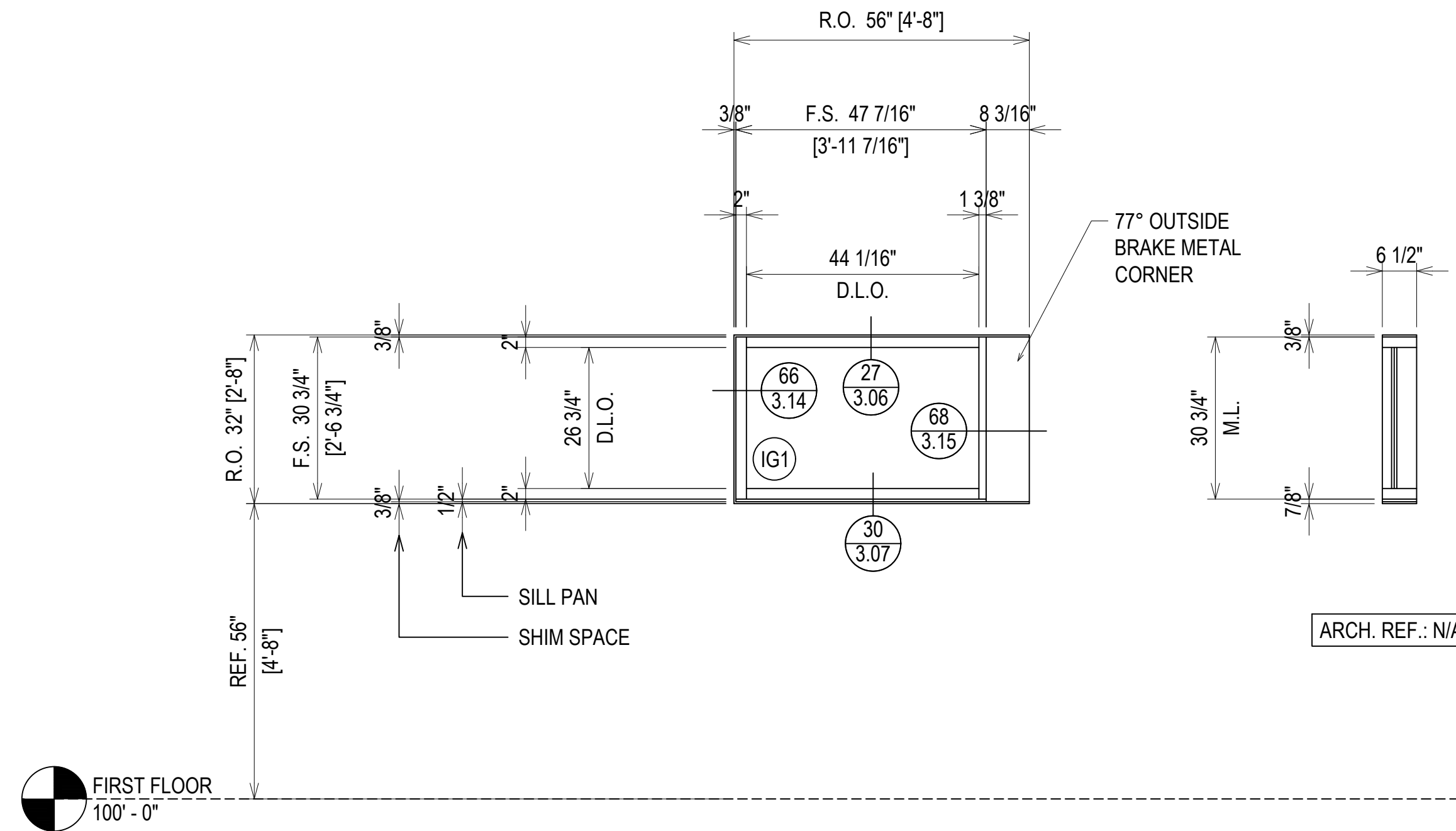
DRAWN BY:	DATE:
DJ	10.3.22
CHECKED BY:	DATE:
RS	10.3.22



**ELEVATION SF11**  
 SCALE: 1/2" = 1'-0"  
 TUBELITE T24650 - 2" X 6 1/2"  
 EXTERIOR STOREFRONT  
 1" INSULATED GLASS (CENTER SET)  
 QUANTITY: 1

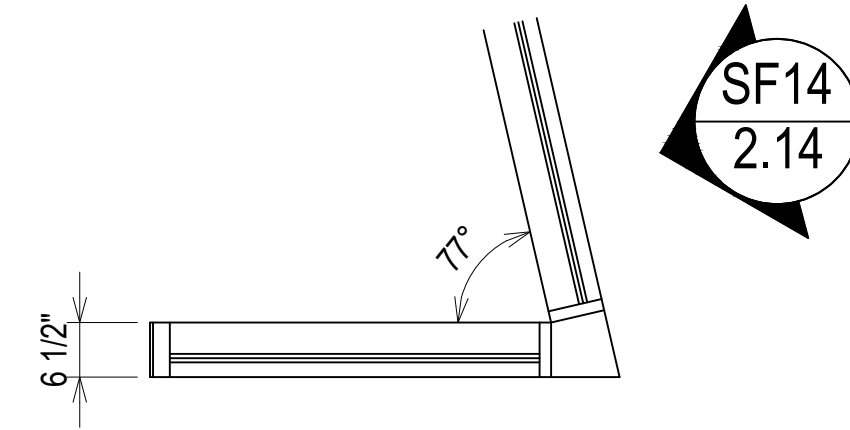
**ELEVATION SF12**  
 SCALE: 1/2" = 1'-0"  
 TUBELITE T24650 - 2" X 6 1/2"  
 EXTERIOR STOREFRONT  
 1" INSULATED GLASS (CENTER SET)  
 QUANTITY: 1

**ERECTOR / G.C. NOTE:**  
 PLEASE FIELD VERIFY ALL DIMENSIONS



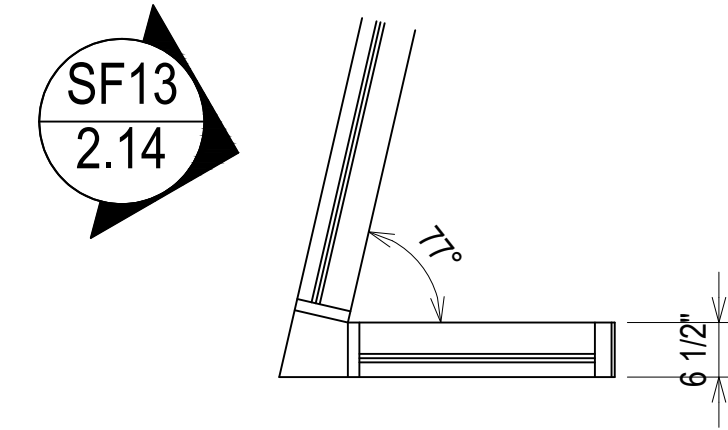
FIRST FLOOR  
100'-0"

FIRST FLOOR  
100'-0"



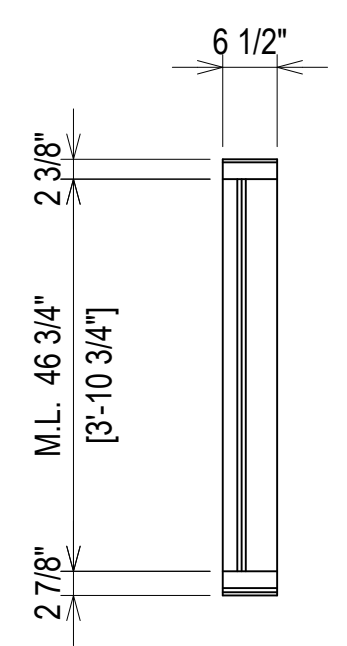
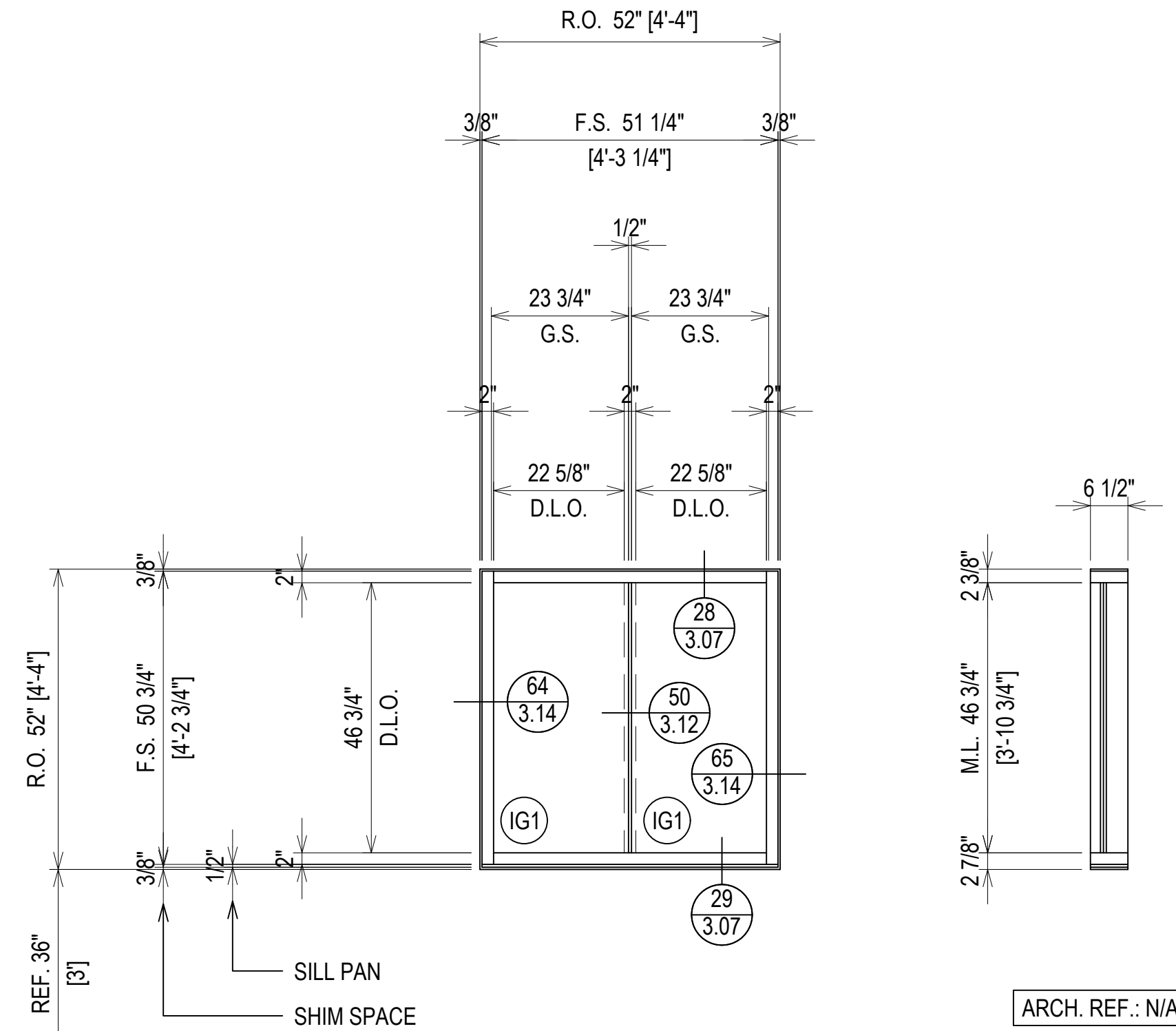
SF13  
2.14

ELEVATION SF13  
SCALE: 1/2" = 1'-0"  
TUBELITE T24650 - 2" X 6 1/2"  
EXTERIOR STOREFRONT  
1" INSULATED GLASS (CENTER SET)  
QUANTITY: 1



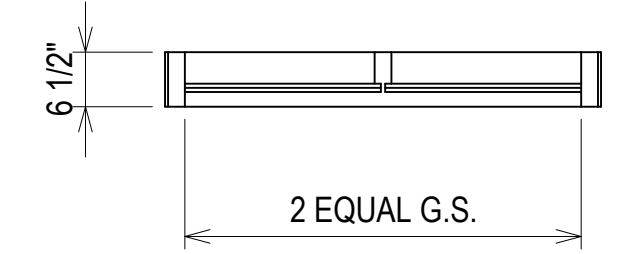
SF14  
2.14

ELEVATION SF14  
SCALE: 1/2" = 1'-0"  
TUBELITE T24650 - 2" X 6 1/2"  
EXTERIOR STOREFRONT  
1" INSULATED GLASS (CENTER SET)  
QUANTITY: 1

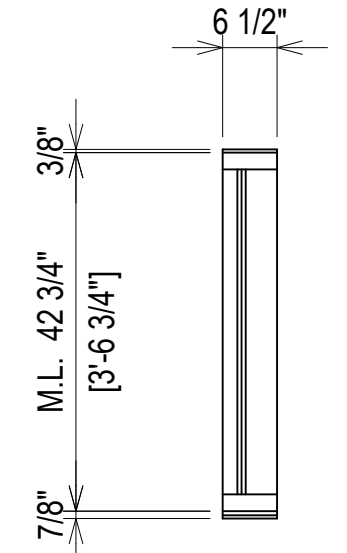
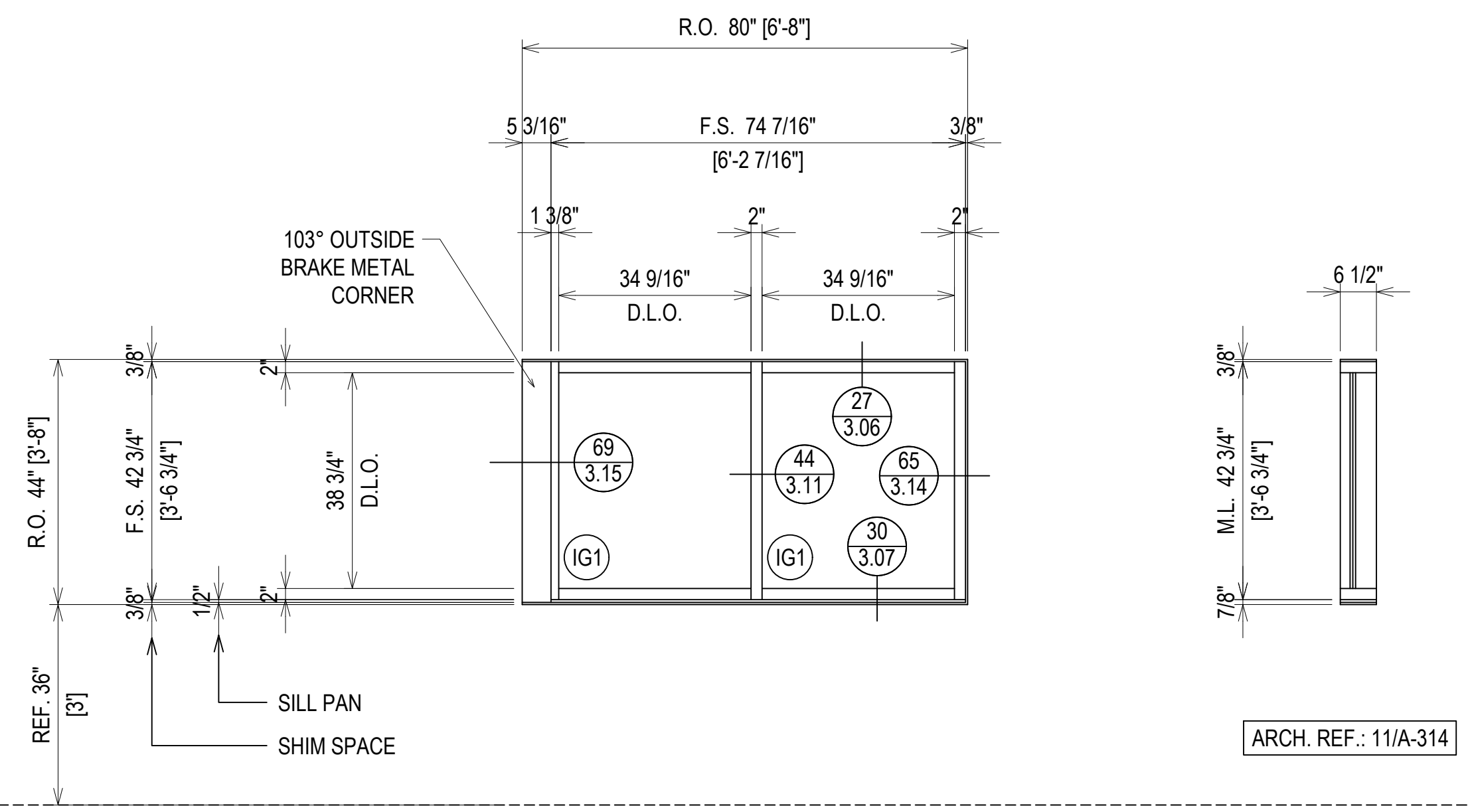


ARCH. REF.: N/A

ELEVATION SF15  
SCALE: 1/2" = 1'-0"  
TUBELITE T24650 - 2" X 6 1/2"  
EXTERIOR STOREFRONT  
1" INSULATED GLASS (CENTER SET)  
QUANTITY: 1

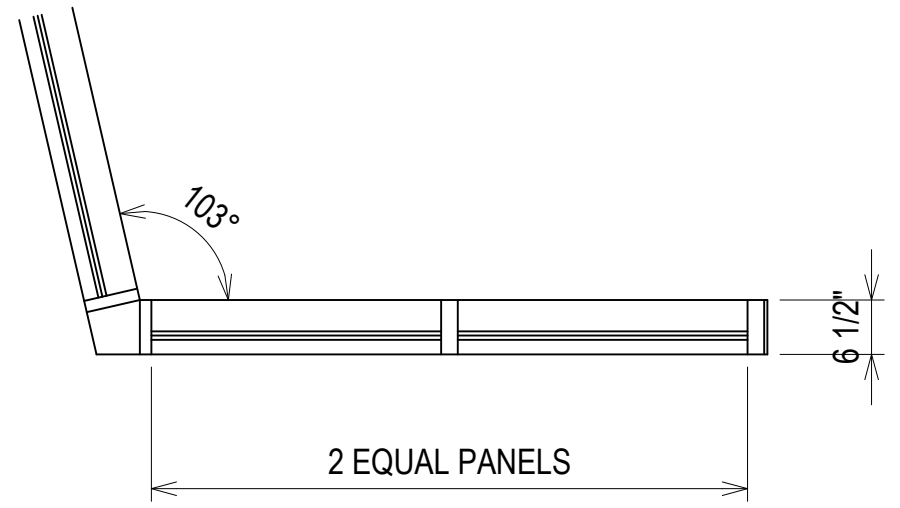


FIRST FLOOR  
100'-0"



ARCH. REF.: 11/A-314

SF17  
2.15



ELEVATION SF16  
SCALE: 1/2" = 1'-0"  
TUBELITE T24650 - 2" X 6 1/2"  
EXTERIOR STOREFRONT  
1" INSULATED GLASS (CENTER SET)  
QUANTITY: 1

FIRST FLOOR  
100'-0"

ERECTOR / G.C. NOTE:  
PLEASE FIELD VERIFY ALL DIMENSIONS

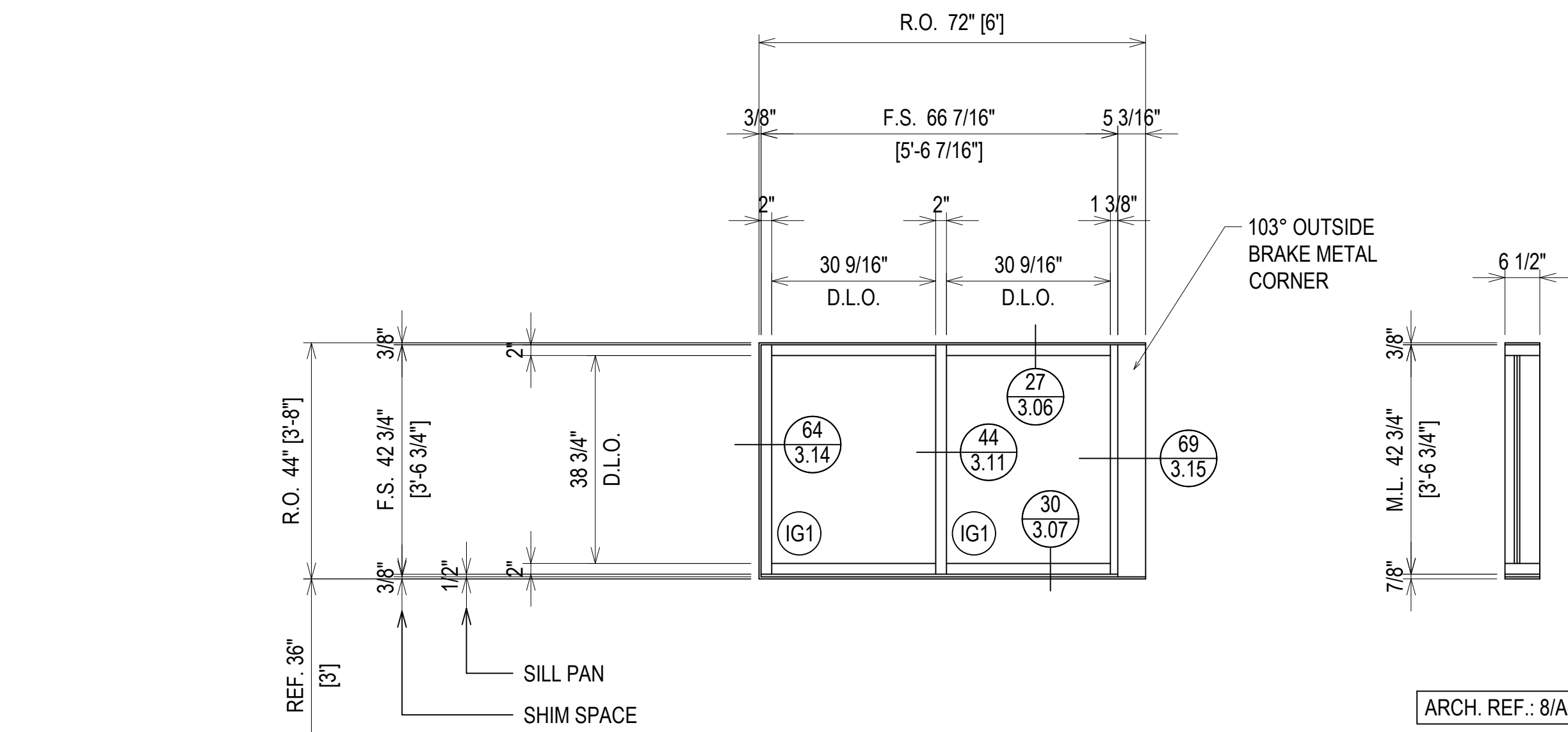
NO	DESCRIPTION

MAYFIELD HEIGHTS AQUATIC AND COMMUNITY CENTER  
6080 MARSOL AVE.  
MAYFIELD HEIGHTS, OH 44124

SIXTH CITY GLAZING  
11941 ABBEY ROAD, UNIT E  
NORTH ROYALTON, OH 44133

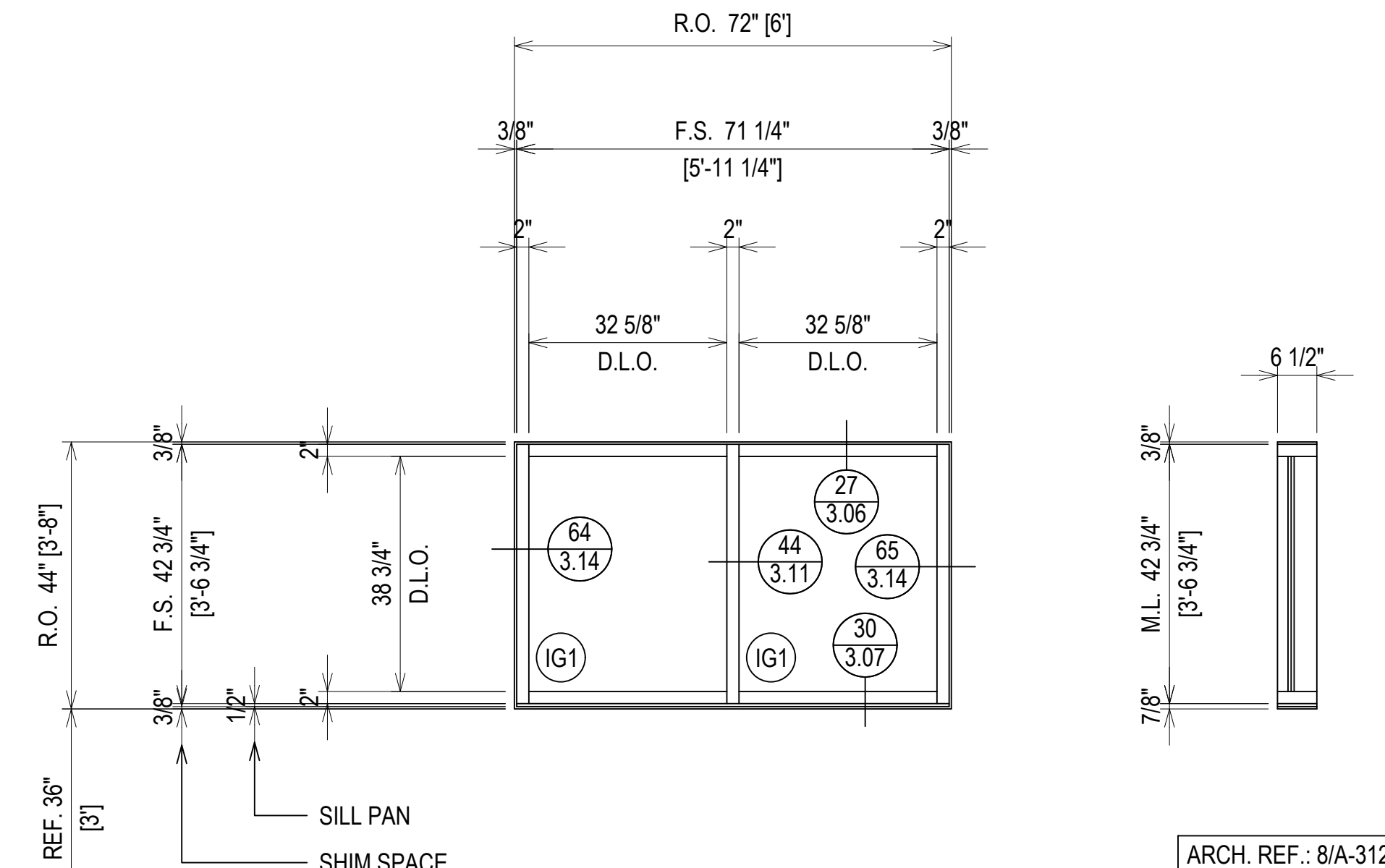
DRAWN BY: DJ	DATE: 10.3.22
CHECKED BY: RS	DATE: 10.3.22

2.14



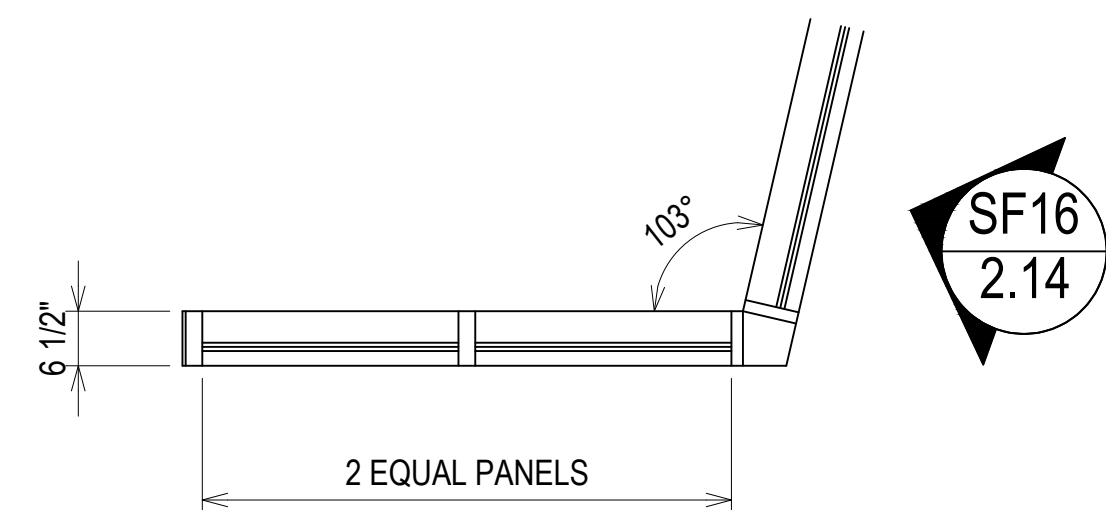
FIRST FLOOR  
100'-0"

ARCH. REF.: 8/A-312

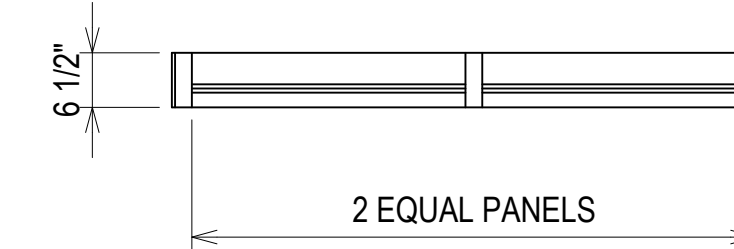


FIRST FLOOR  
100'-0"

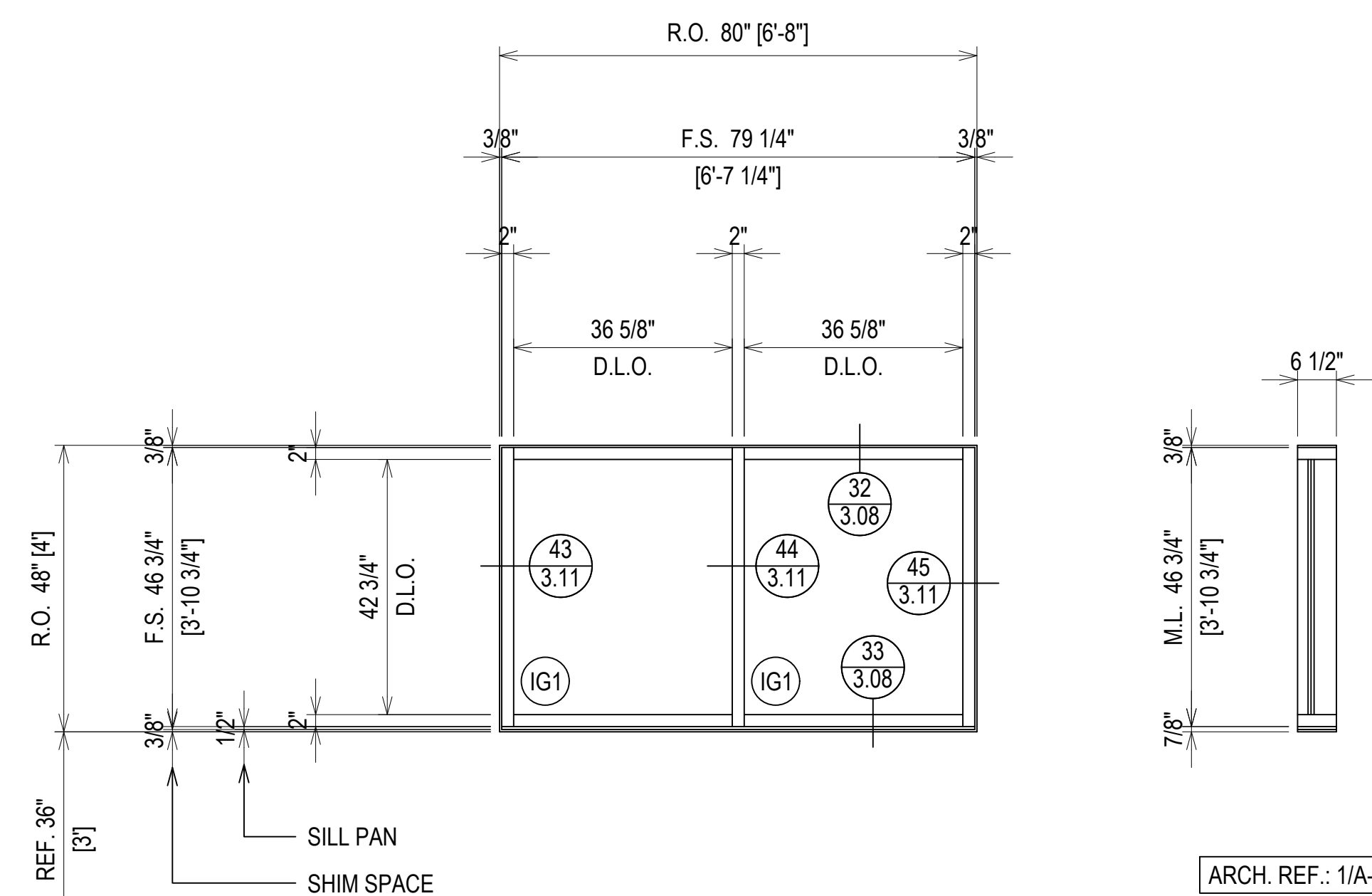
ARCH. REF.: 8/A-312



**ELEVATION SF17**  
SCALE: 1/2" = 1'-0"  
TUBELITE T24650 - 2" X 6 1/2"  
EXTERIOR STOREFRONT  
1" INSULATED GLASS (CENTER SET)  
QUANTITY: 1

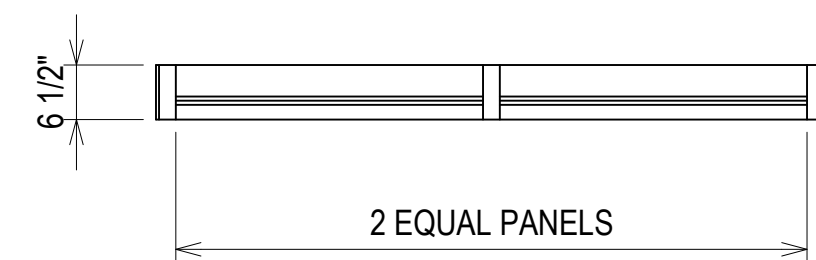


**ELEVATION SF18**  
SCALE: 1/2" = 1'-0"  
TUBELITE T24650 - 2" X 6 1/2"  
EXTERIOR STOREFRONT  
1" INSULATED GLASS (CENTER SET)  
QUANTITY: 1

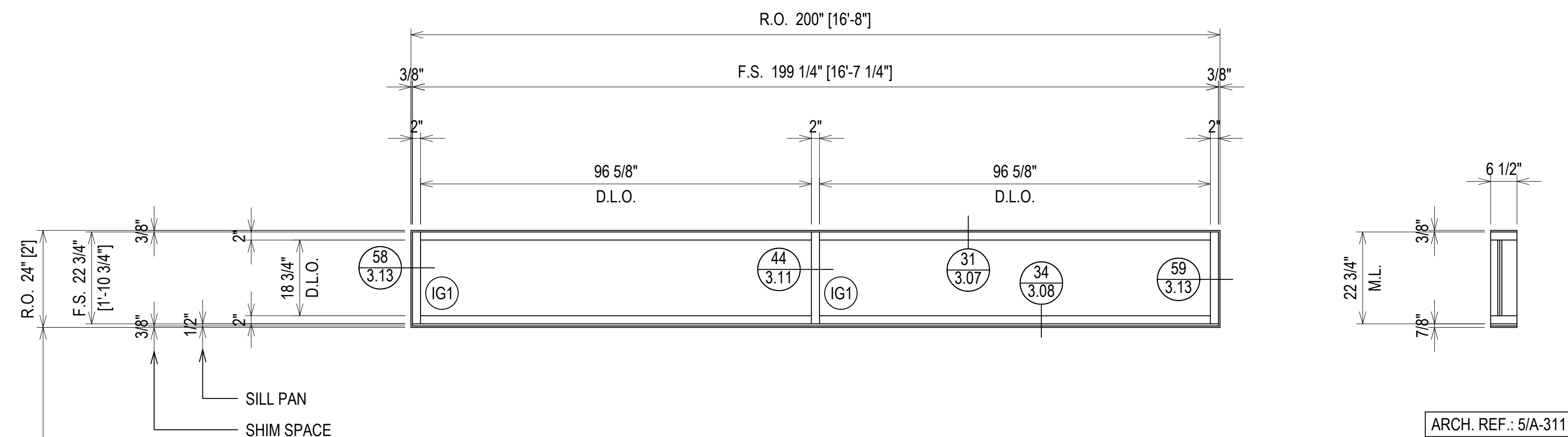


FIRST FLOOR  
100'-0"

ARCH. REF.: 1/A-313

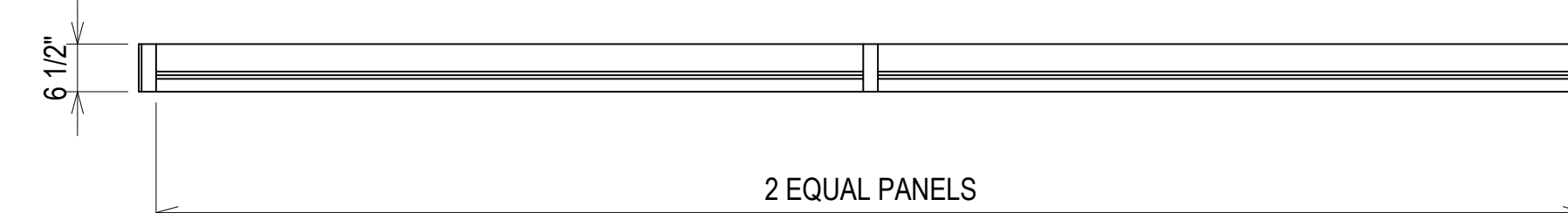


**ELEVATION SF19**  
SCALE: 1/2" = 1'-0"  
TUBELITE T24650 - 2" X 6 1/2"  
EXTERIOR STOREFRONT  
1" INSULATED GLASS (CENTER SET)  
QUANTITY: 2



FIRST FLOOR  
100'-0"

ARCH. REF.: 5/A-311



**ELEVATION SF20**  
SCALE: 1/2" = 1'-0"  
TUBELITE T24650 - 2" X 6 1/2"  
EXTERIOR STOREFRONT  
1" INSULATED GLASS (CENTER SET)  
QUANTITY: 1

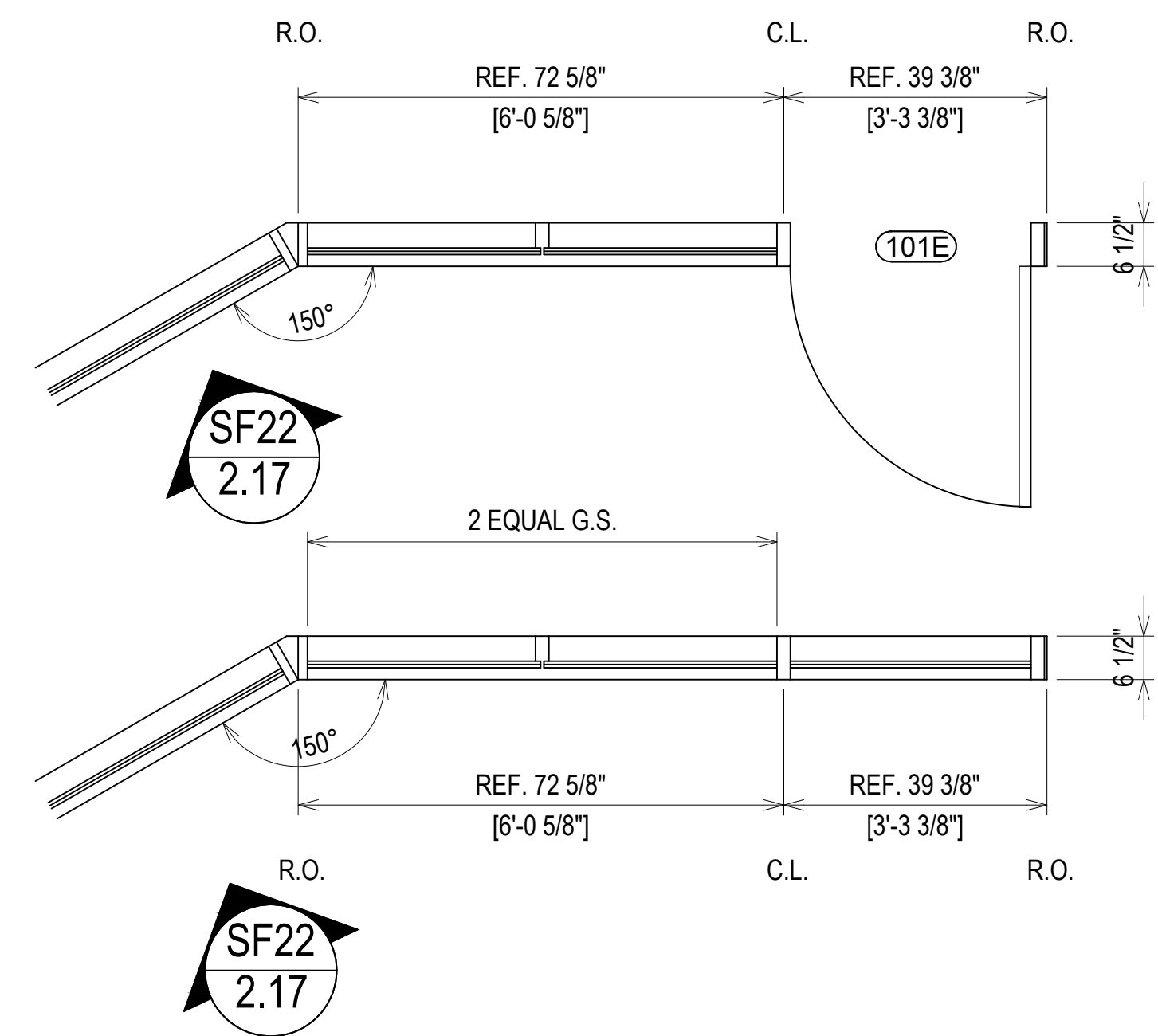
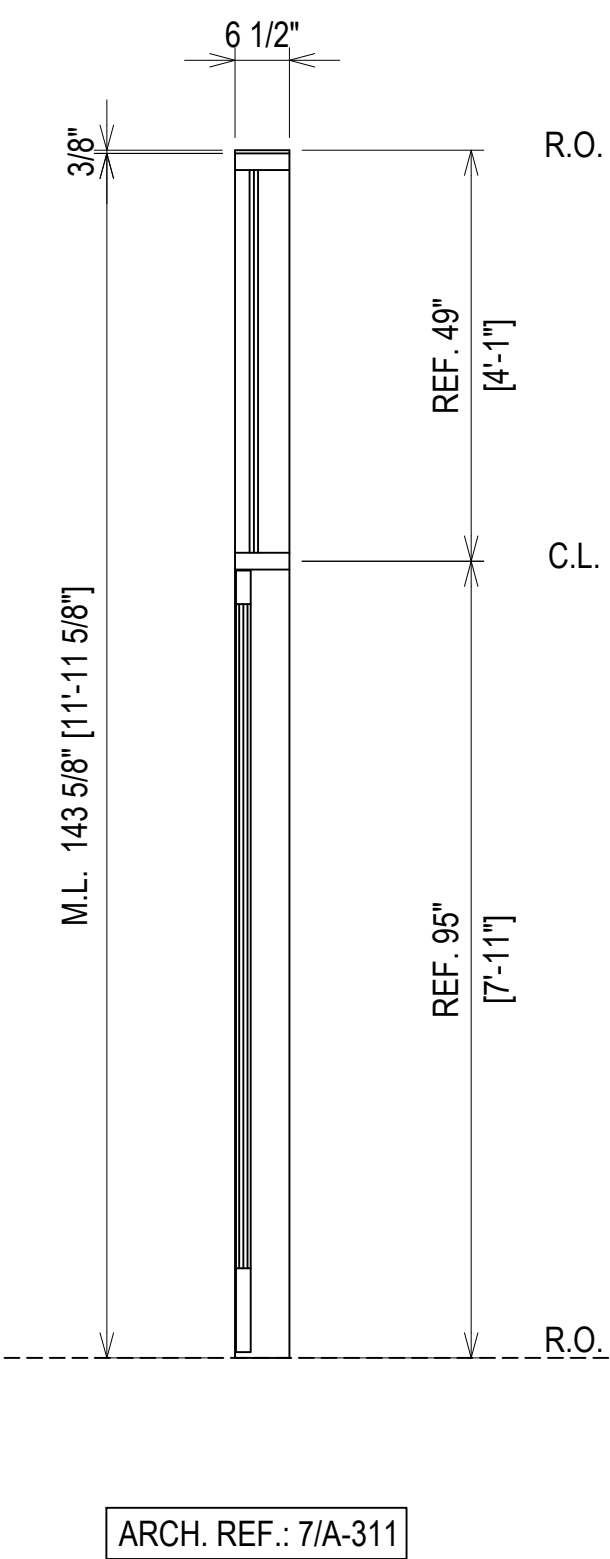
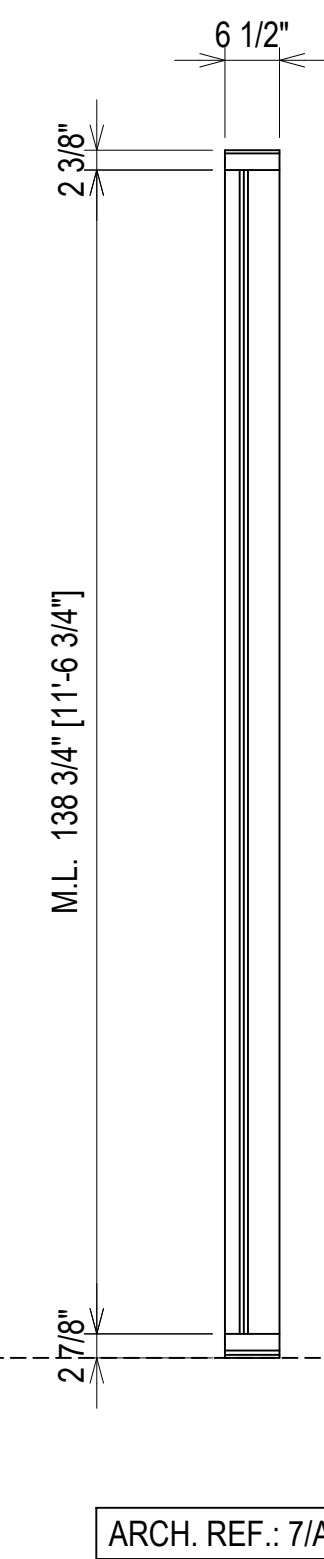
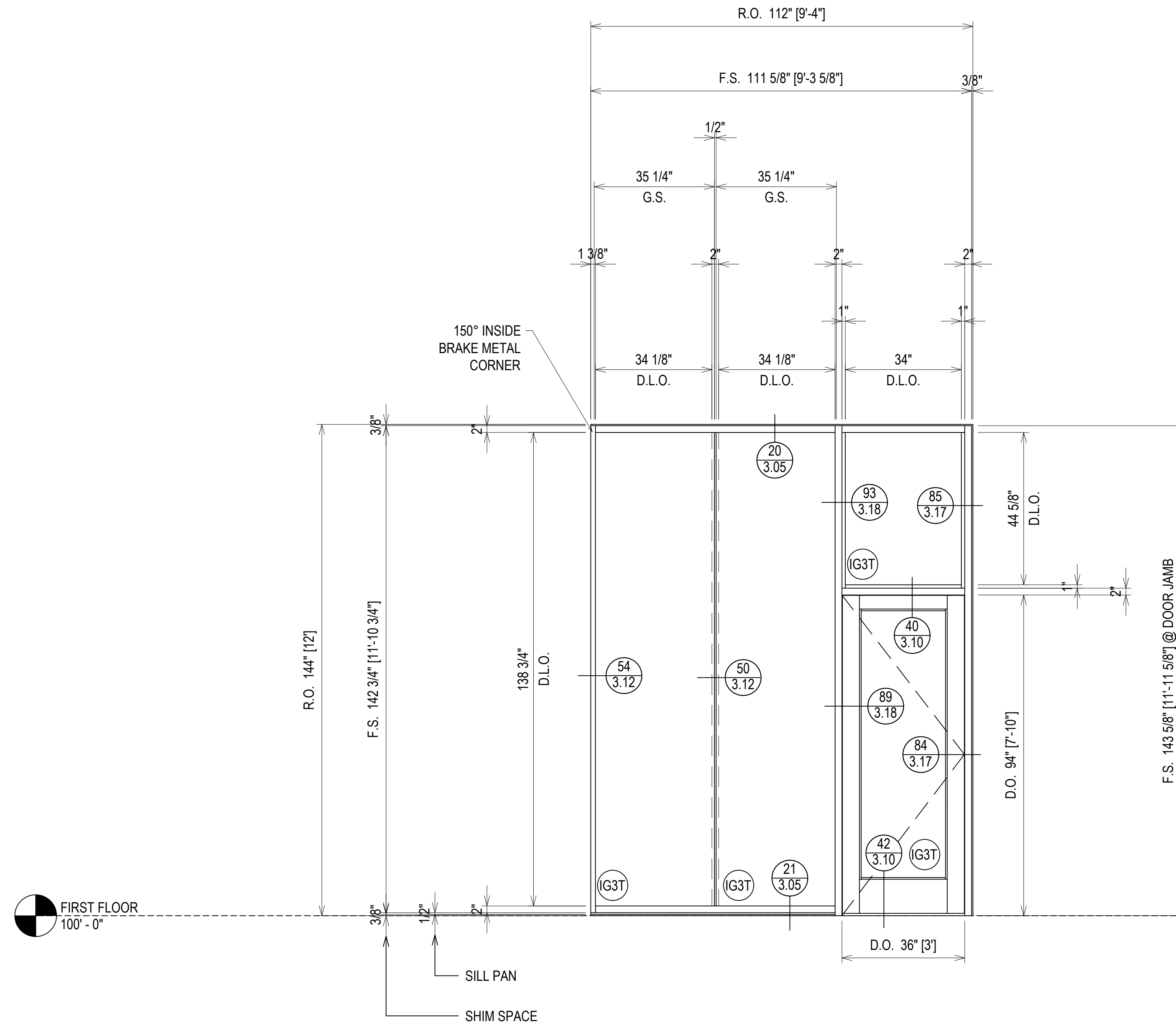
ERECTOR / G.C. NOTE:  
PLEASE FIELD VERIFY ALL DIMENSIONS

NO	DESCRIPTION

**MAYFIELD HEIGHTS AQUATIC AND COMMUNITY CENTER**  
6080 MARSOL AVE.  
MAYFIELD HEIGHTS, OH 44124

SIXTH CITY GLAZING  
11941 ABBEY ROAD, UNIT E  
NORTH ROYALTON, OH 44133

DRAWN BY: DJ	DATE: 10.3.22
CHECKED BY: RS	DATE: 10.3.22



**ELEVATION SF21**  
 SCALE: 1/2" = 1'-0"  
 TUBELITE T24650 - 2" X 6 1/2"  
 EXTERIOR STOREFRONT  
 1" INSULATED GLASS (CENTER SET)  
 QUANTITY: 1

ERECTOR / G.C. NOTE:  
 PLEASE FIELD VERIFY ALL DIMENSIONS

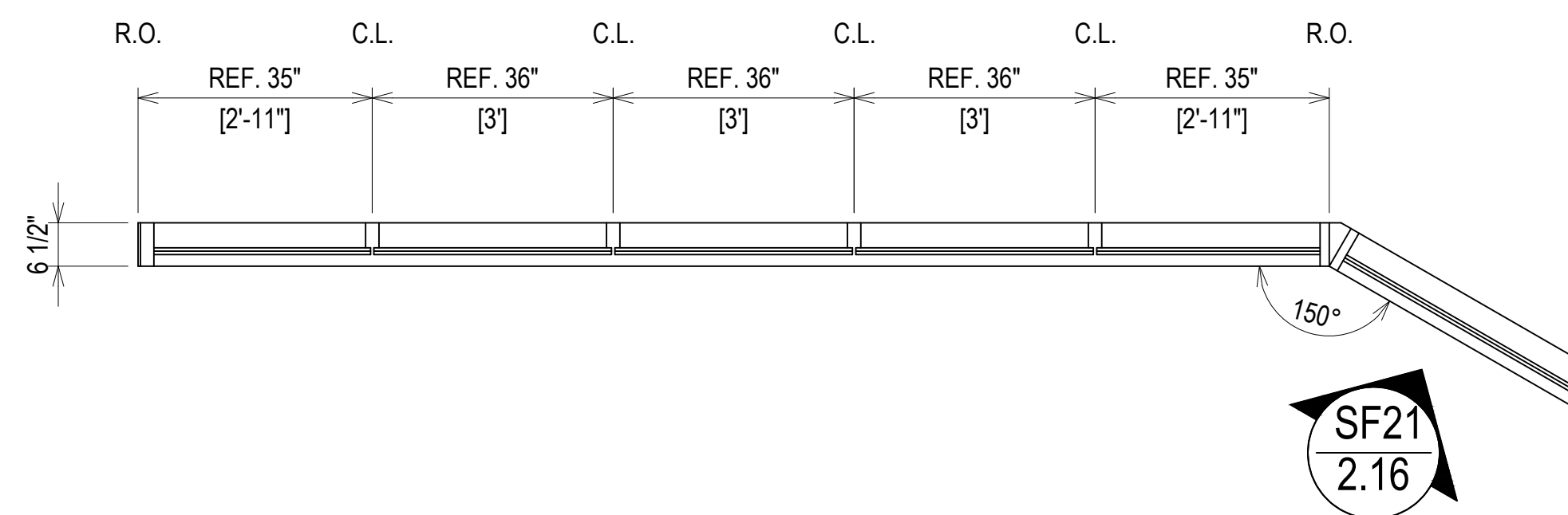
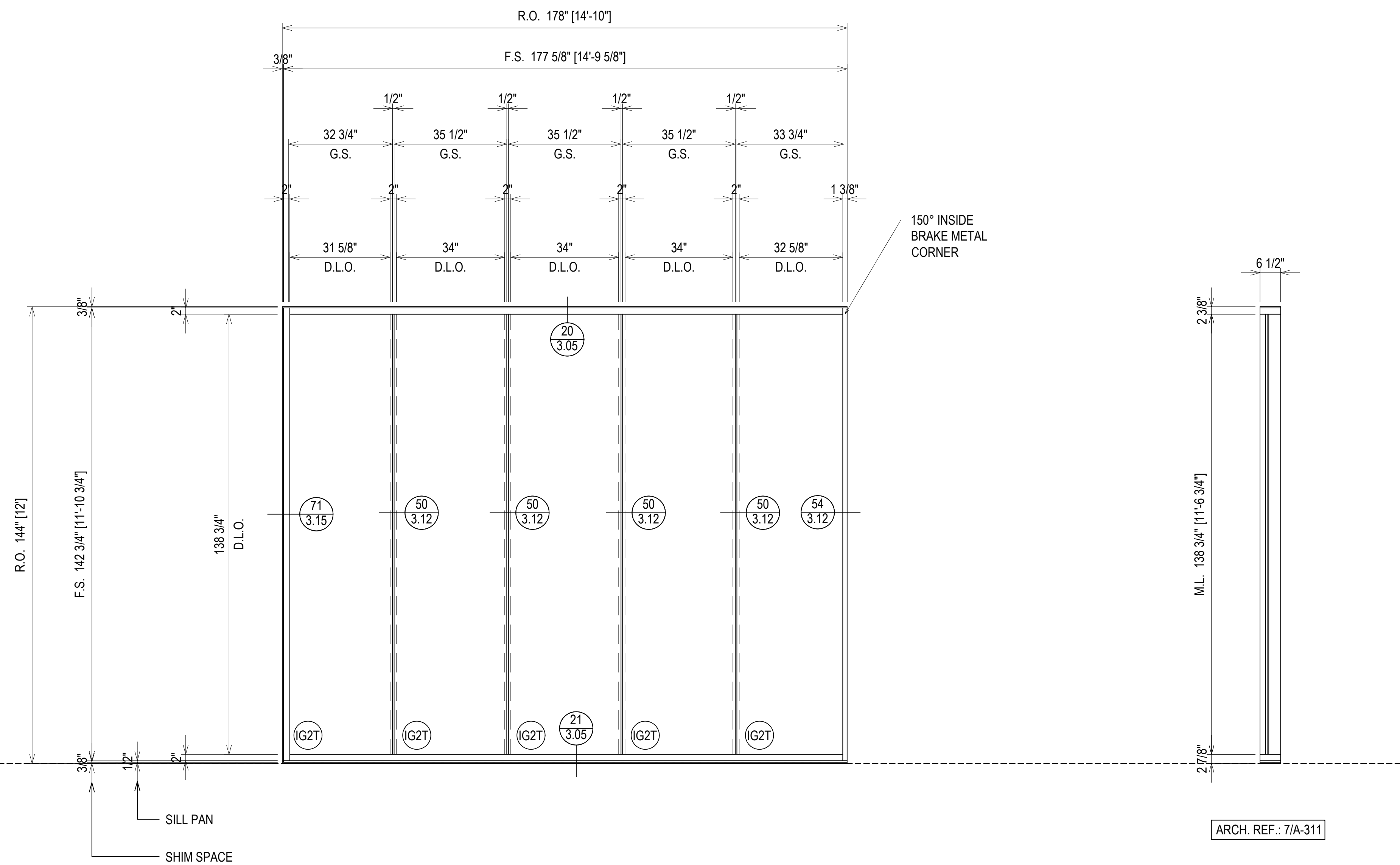
NO	DESCRIPTION

**MAYFIELD HEIGHTS AQUATIC AND COMMUNITY CENTER**  
 6080 MARSOL AVE.  
 MAYFIELD HEIGHTS, OH 44124

SIXTH CITY GLAZING  
 11941 ABBEY ROAD, UNIT E  
 NORTH ROYALTON, OH 44133

DRAWN BY:	DATE:
DJ	10.3.22
CHECKED BY:	DATE:
RS	10.3.22

FIRST FLOOR  
100'-0"



ELEVATION **SF22**  
SCALE: 1/2" = 1'-0"  
TUBELITE T24650 - 2" X 6 1/2"  
EXTERIOR STOREFRONT  
1" INSULATED GLASS (CENTER SET)  
QUANTITY: 1

ERECTOR / G.C. NOTE:  
PLEASE FIELD VERIFY ALL DIMENSIONS

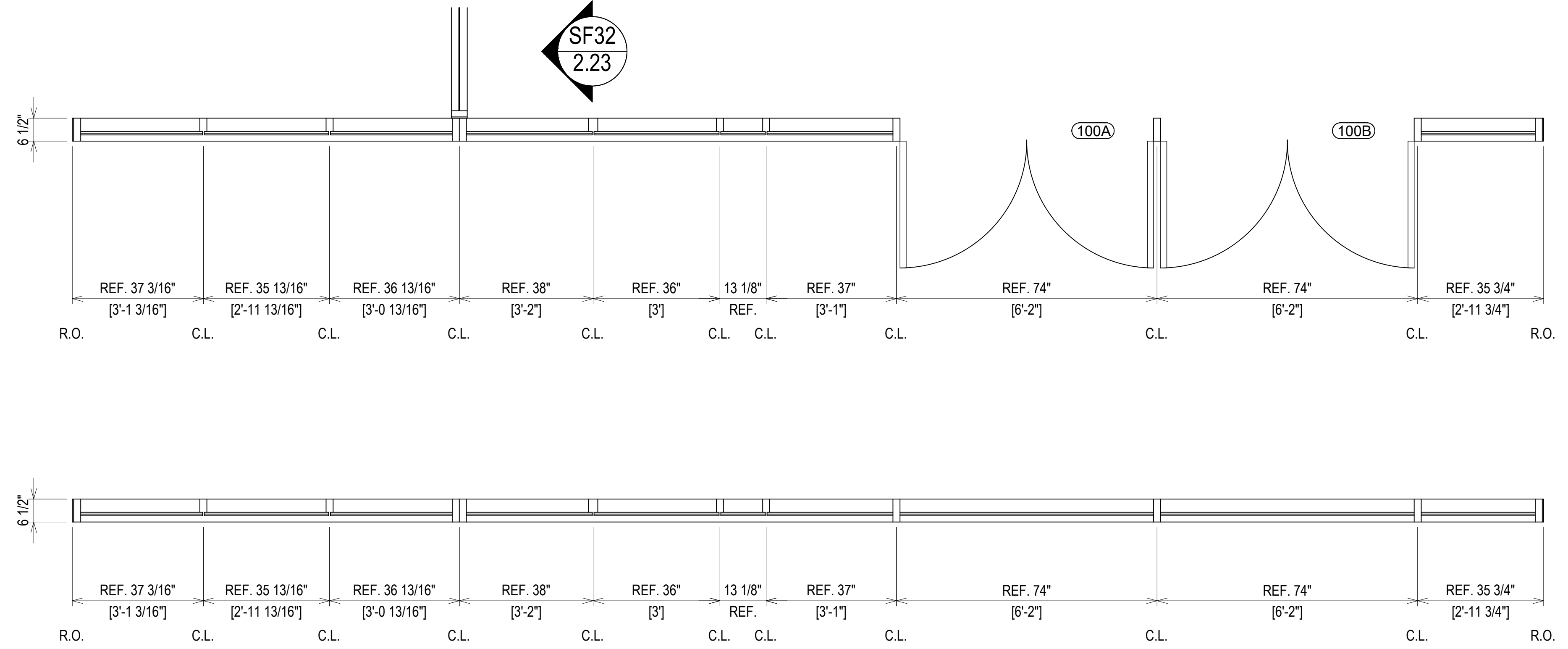
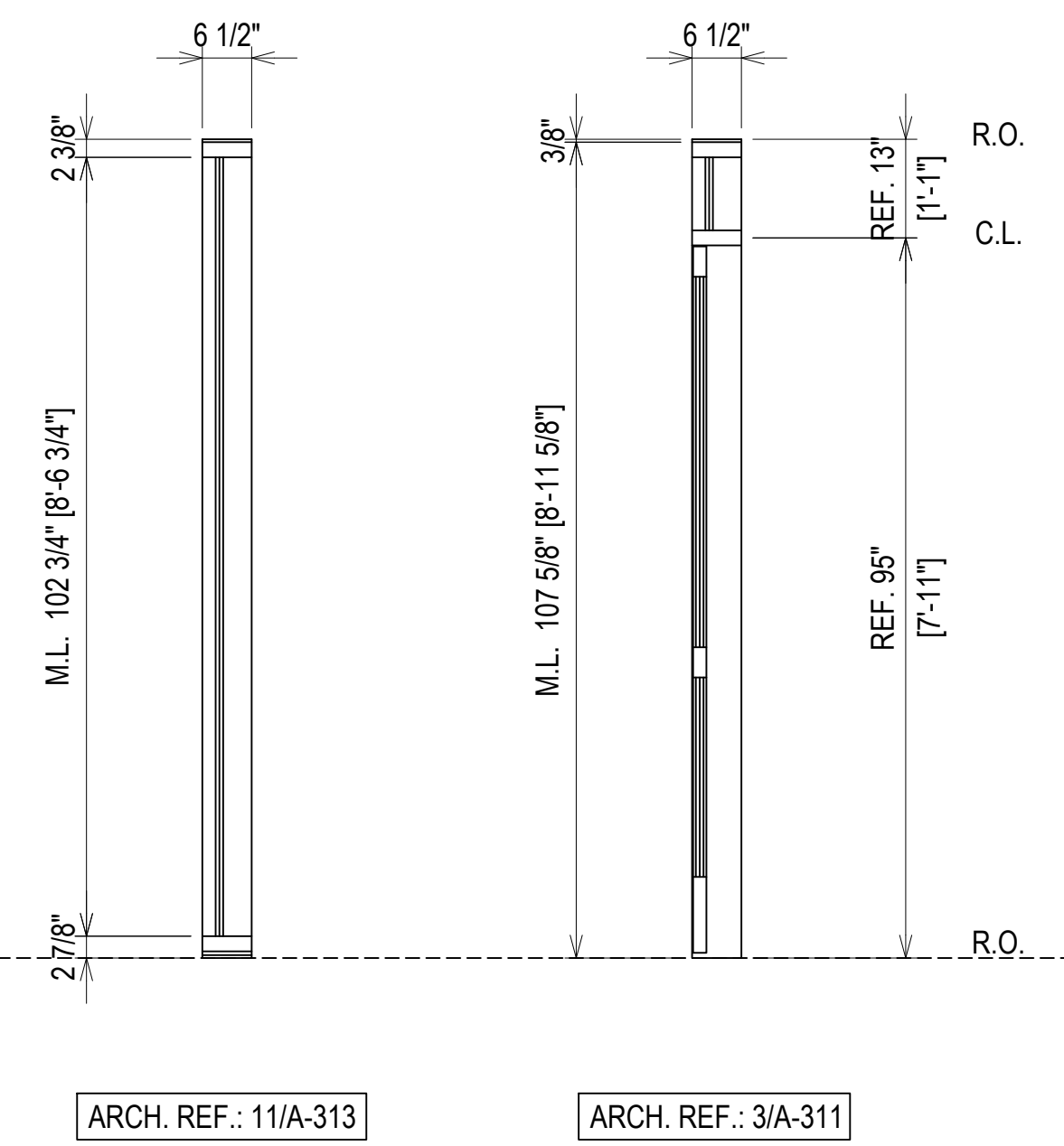
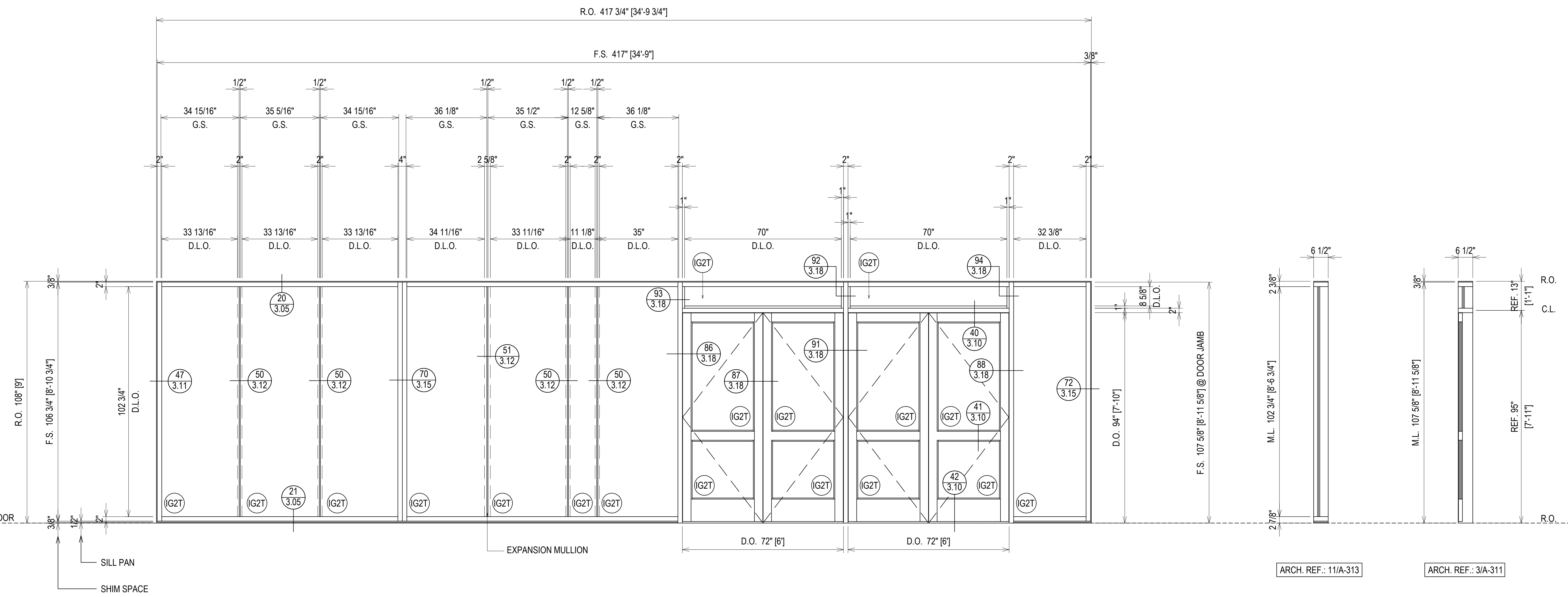
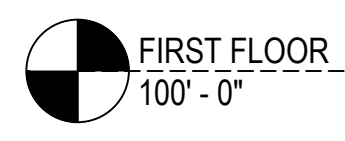
NO	DESCRIPTION

**MAYFIELD HEIGHTS AQUATIC AND COMMUNITY CENTER**  
6080 MARSOL AVE.  
MAYFIELD HEIGHTS, OH 44124

SIXTH CITY GLAZING  
11941 ABBEY ROAD, UNIT E  
NORTH ROYALTON, OH 44133

DRAWN BY:	DATE:
DJ	10.3.22
CHECKED BY:	DATE:
RS	10.3.22





**ELEVATION** SF23  
 SCALE: 1/2" = 1'-0"  
 TUBELITE T24650 - 2" X 6 1/2"  
 EXTERIOR STOREFRONT  
 1" INSULATED GLASS (CENTER SET)  
 QUANTITY: 1

ERECTOR / G.C. NOTE:  
 PLEASE FIELD VERIFY ALL DIMENSIONS

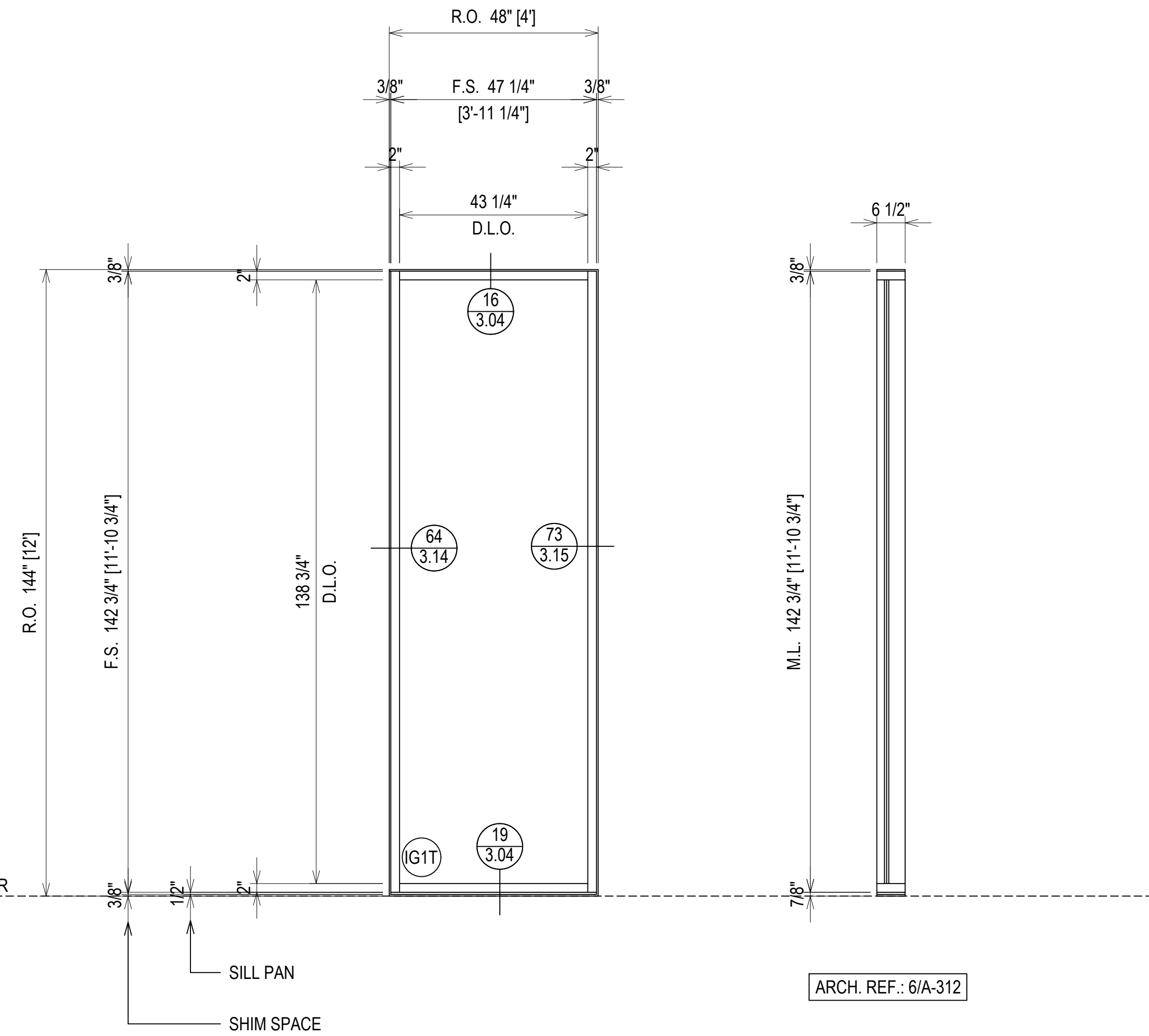
NO	DESCRIPTION

**MAYFIELD HEIGHTS AQUATIC AND COMMUNITY CENTER**  
 6080 MARSOL AVE.  
 MAYFIELD HEIGHTS, OH 44124

SIXTH CITY GLAZING  
 11941 ABBEY ROAD, UNIT E  
 NORTH ROYALTON, OH 44133

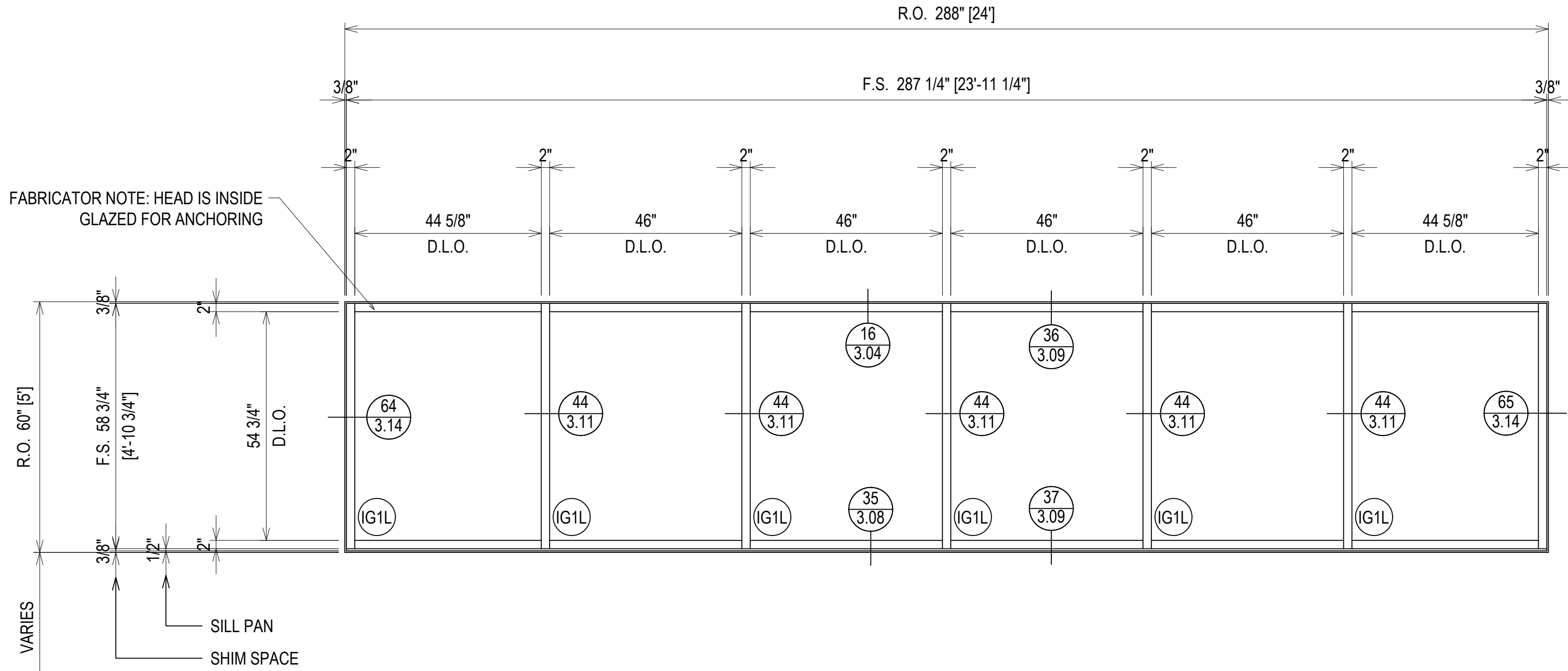
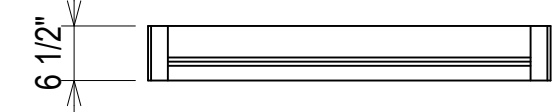
DRAWN BY: DJ	DATE: 10.3.22
CHECKED BY: RS	DATE: 10.3.22

**2.18**

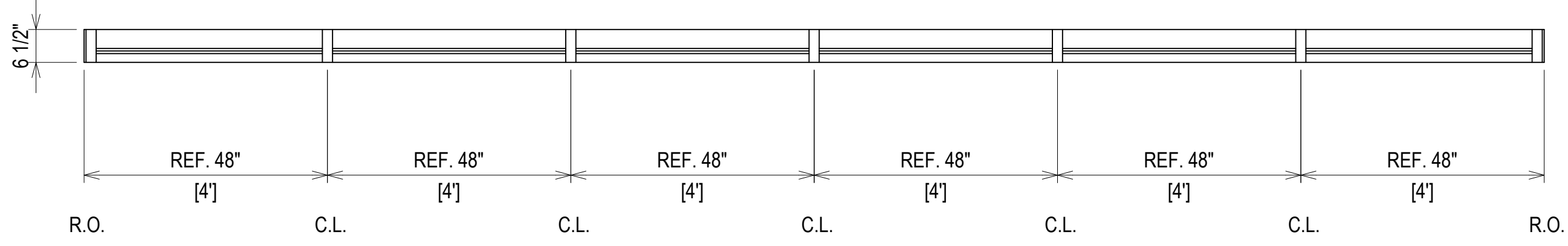


ARCH. REF.: 6/A-312

**ELEVATION** **SF24**  
 SCALE: 1/2" = 1'-0"  
 TUBELITE T24650 - 2" X 6 1/2"  
 EXTERIOR STOREFRONT  
 1" INSULATED GLASS (CENTER SET)  
 QUANTITY: 1



ARCH. REF.: 4/A-312



**ELEVATION** **SF25**  
 SCALE: 1/2" = 1'-0"  
 TUBELITE T24650 - 2" X 6 1/2"  
 EXTERIOR STOREFRONT  
 1" INSULATED GLASS (CENTER SET)  
 QUANTITY: 3

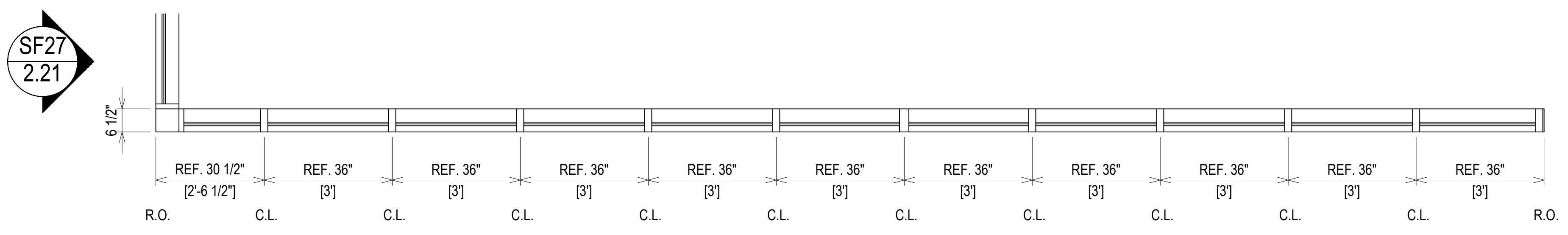
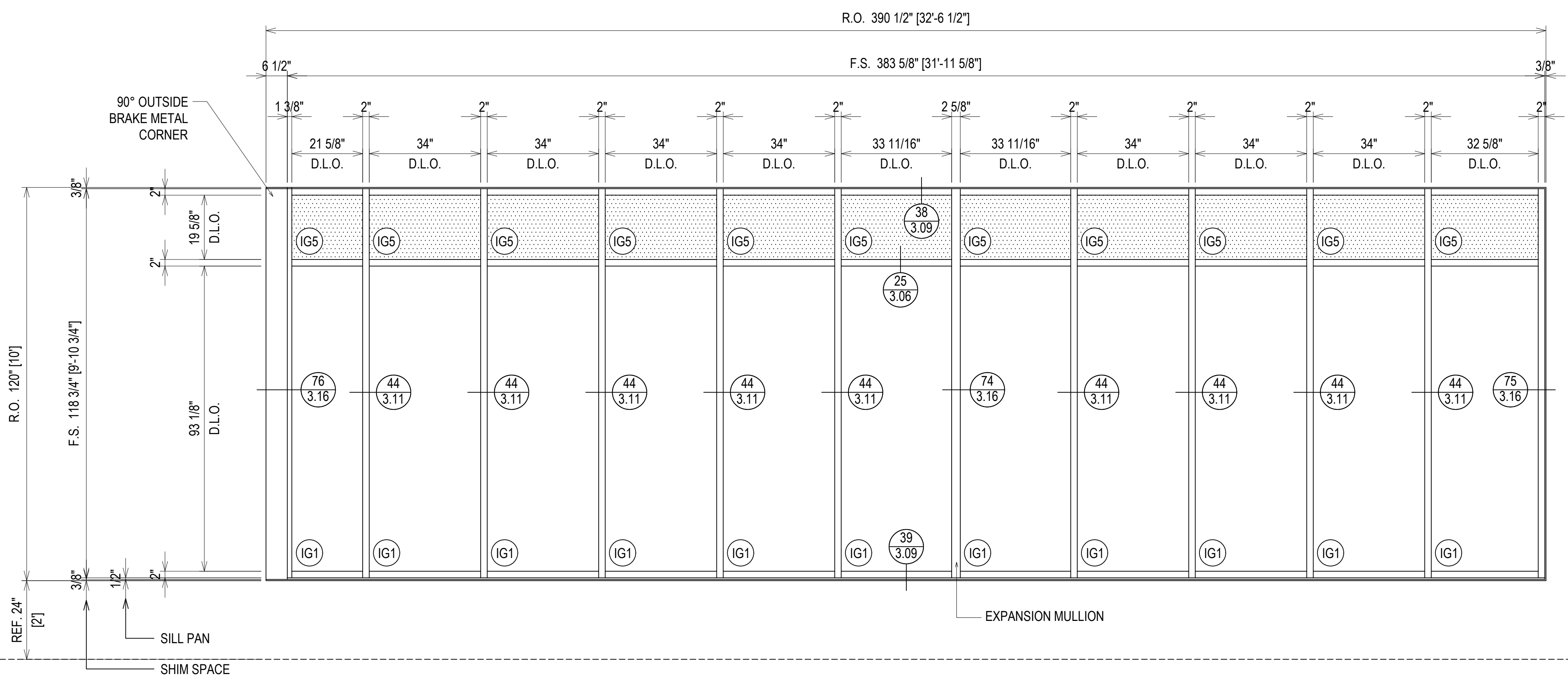
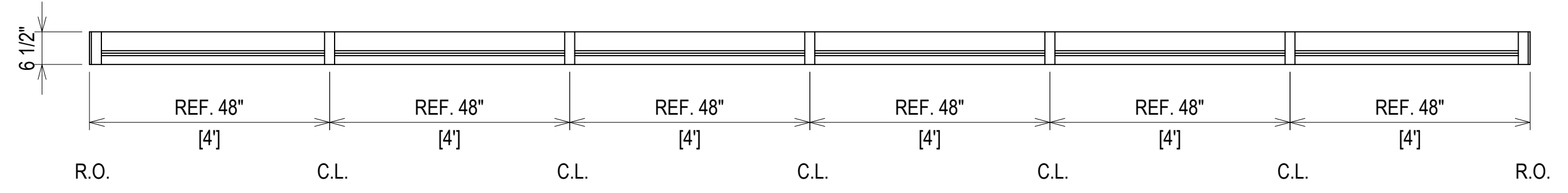
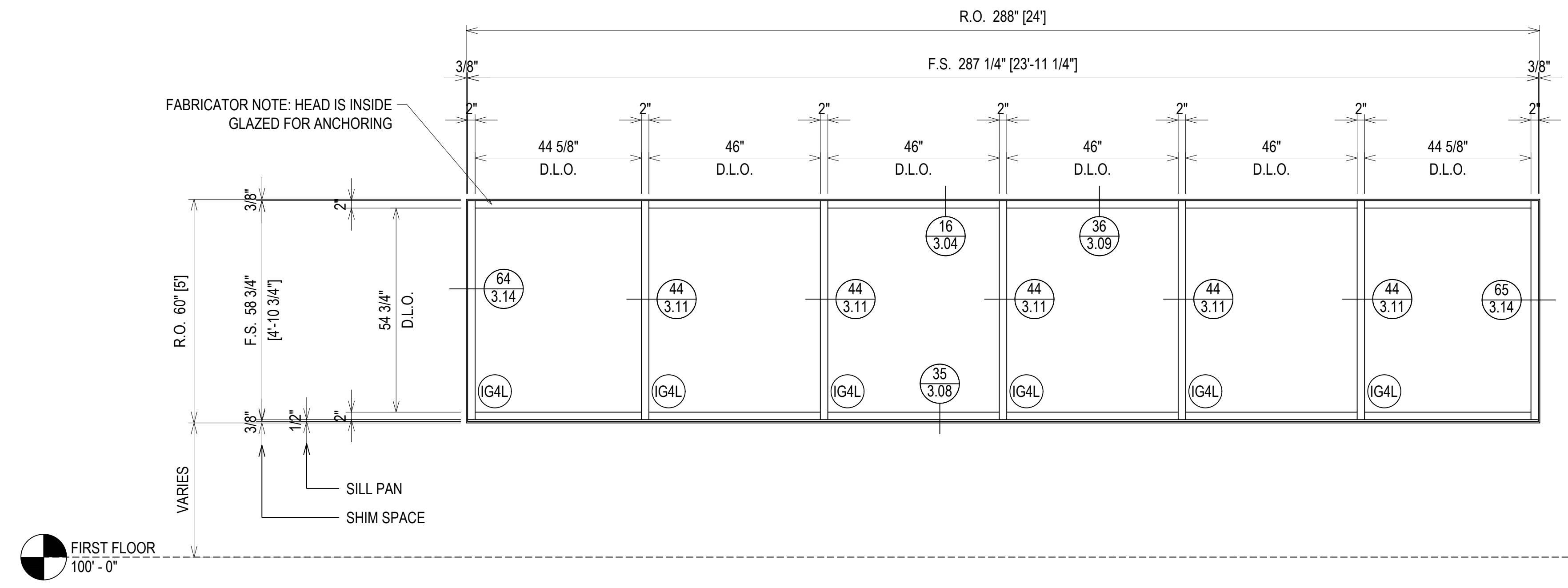
ERECTOR / G.C. NOTE:  
 PLEASE FIELD VERIFY ALL DIMENSIONS

NO	DESCRIPTION

**MAYFIELD HEIGHTS AQUATIC AND COMMUNITY CENTER**  
 6080 MARSOL AVE.  
 MAYFIELD HEIGHTS, OH 44124

SIXTH CITY GLAZING  
 11941 ABBEY ROAD, UNIT E  
 NORTH ROYALTON, OH 44133

DRAWN BY:	DATE:
DJ	10.3.22
CHECKED BY:	DATE:
RS	10.3.22



NO	DESCRIPTION

MAYFIELD HEIGHTS AQUATIC AND COMMUNITY CENTER  
6080 MARSOL AVE.  
MAYFIELD HEIGHTS, OH 44124

SIXTH CITY GLAZING  
11941 ABBEY ROAD, UNIT E  
NORTH ROYALTON, OH 44133

DRAWN BY:	DATE:
DJ	10.3.22
CHECKED BY:	DATE:
RS	10.3.22

ERECTOR / G.C. NOTE:  
PLEASE FIELD VERIFY ALL DIMENSIONS

2.20

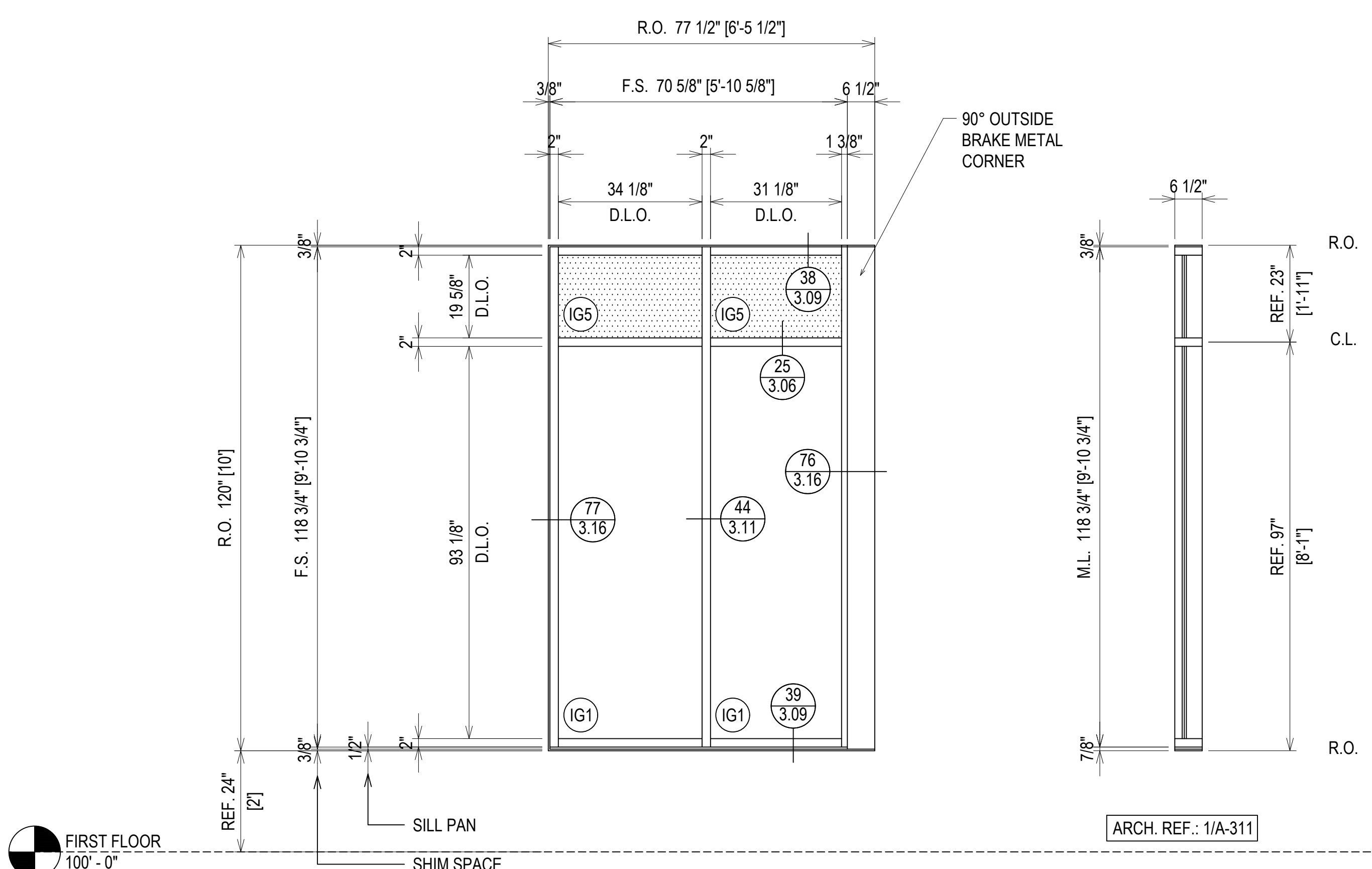
NO	DESCRIPTION
	DRAWING SUBMISSION

**MAYFIELD HEIGHTS AQUATIC AND COMMUNITY CENTER**  
 6080 MARSOL AVE.  
 MAYFIELD HEIGHTS, OH 44124

SIXTH CITY GLAZING  
 11941 ABBEY ROAD, UNIT E  
 NORTH ROYALTON, OH 44133

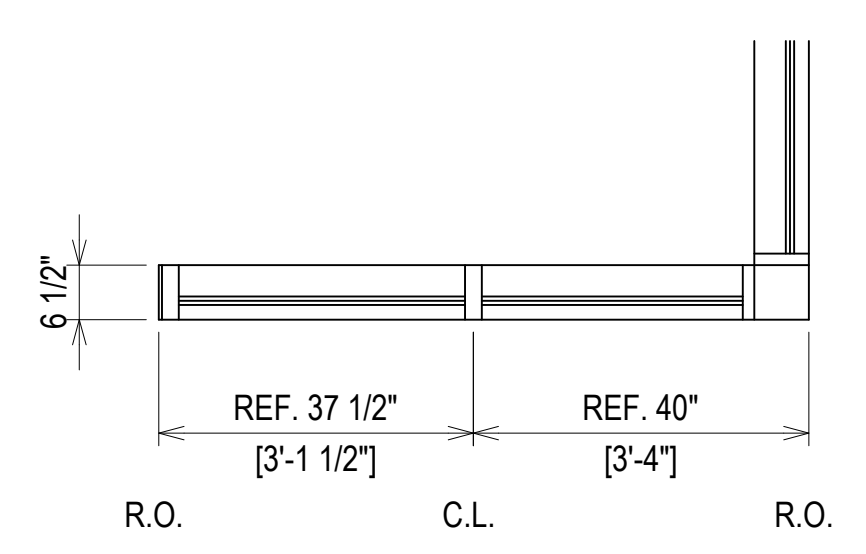
DRAWN BY:	DATE:
DJ	10.3.22
CHECKED BY:	DATE:
RS	10.3.22

**2.21**



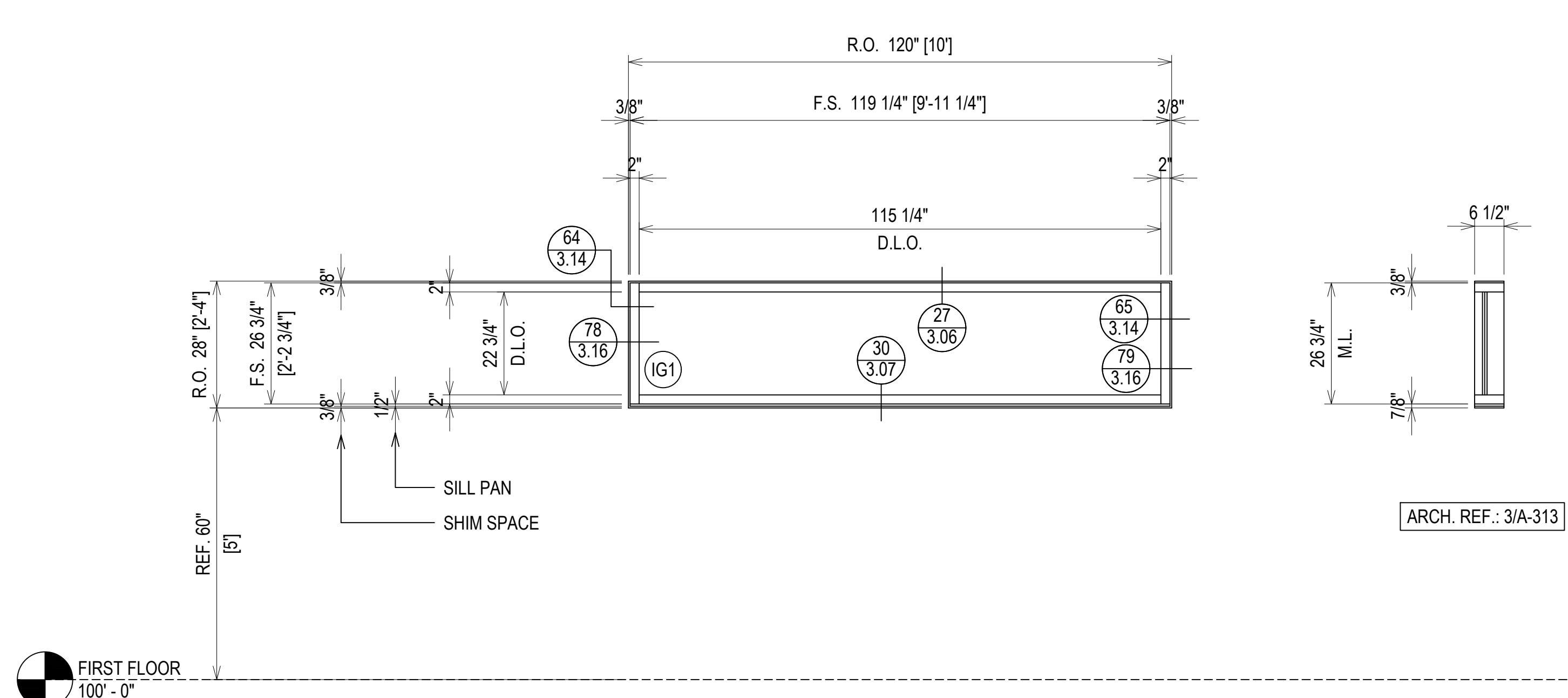
FIRST FLOOR  
 100'-0"

ARCH. REF.: 1/A-311



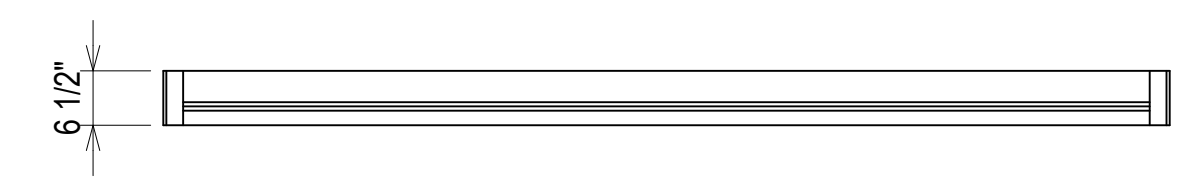
**SF26**  
 2.20

**ELEVATION SF26**  
 SCALE: 1/2" = 1'-0"  
 TUBELITE T24650 - 2" X 6 1/2"  
 EXTERIOR STOREFRONT  
 1" INSULATED GLASS (CENTER SET)  
 QUANTITY: 1



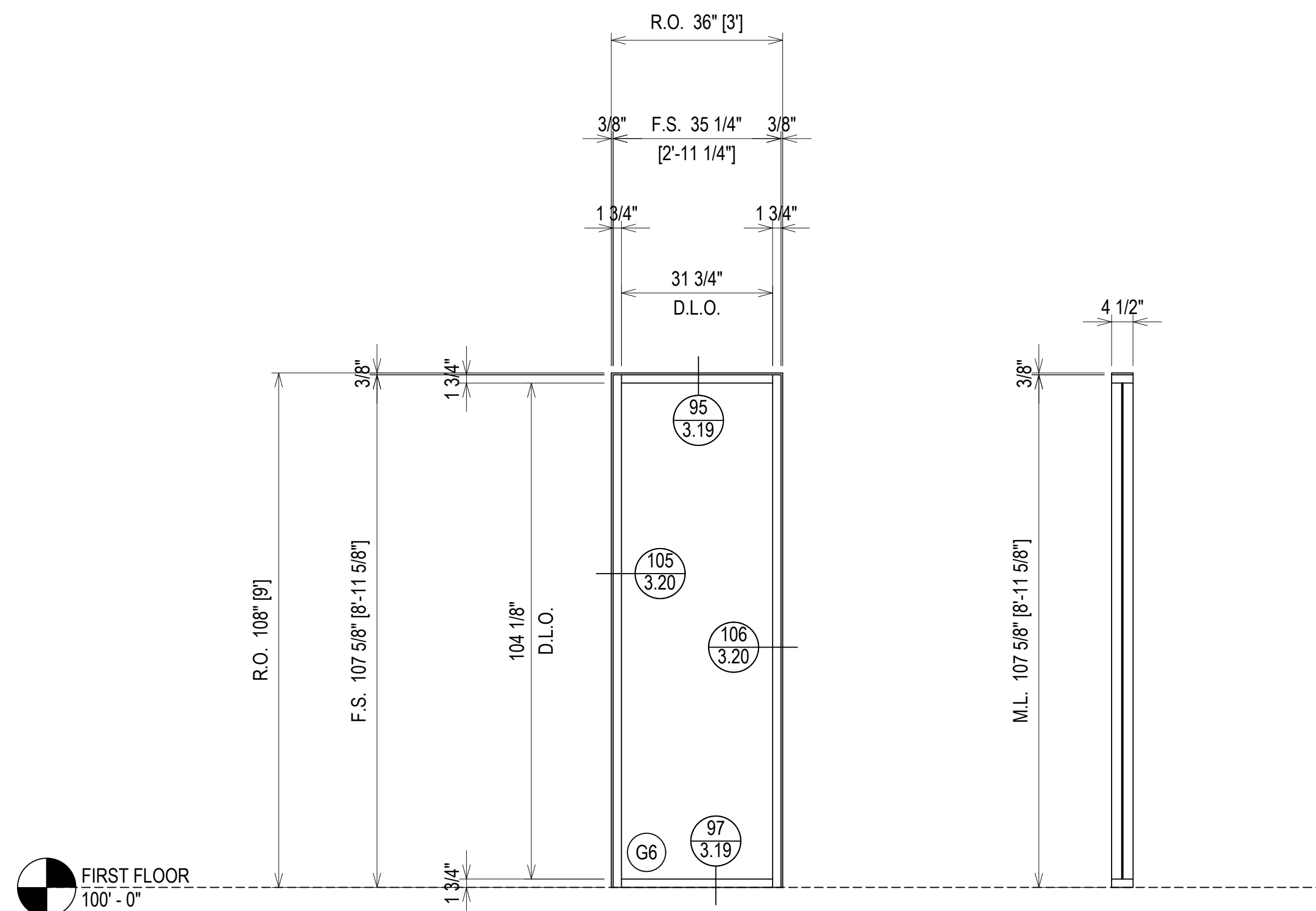
FIRST FLOOR  
 100'-0"

ARCH. REF.: 3/A-313

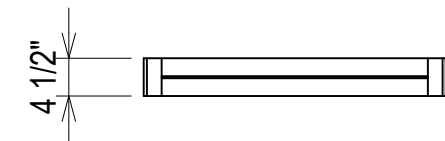


**ELEVATION SF28**  
 SCALE: 1/2" = 1'-0"  
 TUBELITE T24650 - 2" X 6 1/2"  
 EXTERIOR STOREFRONT  
 1" INSULATED GLASS (CENTER SET)  
 QUANTITY: 3

ERECTOR / G.C. NOTE:  
 PLEASE FIELD VERIFY ALL DIMENSIONS

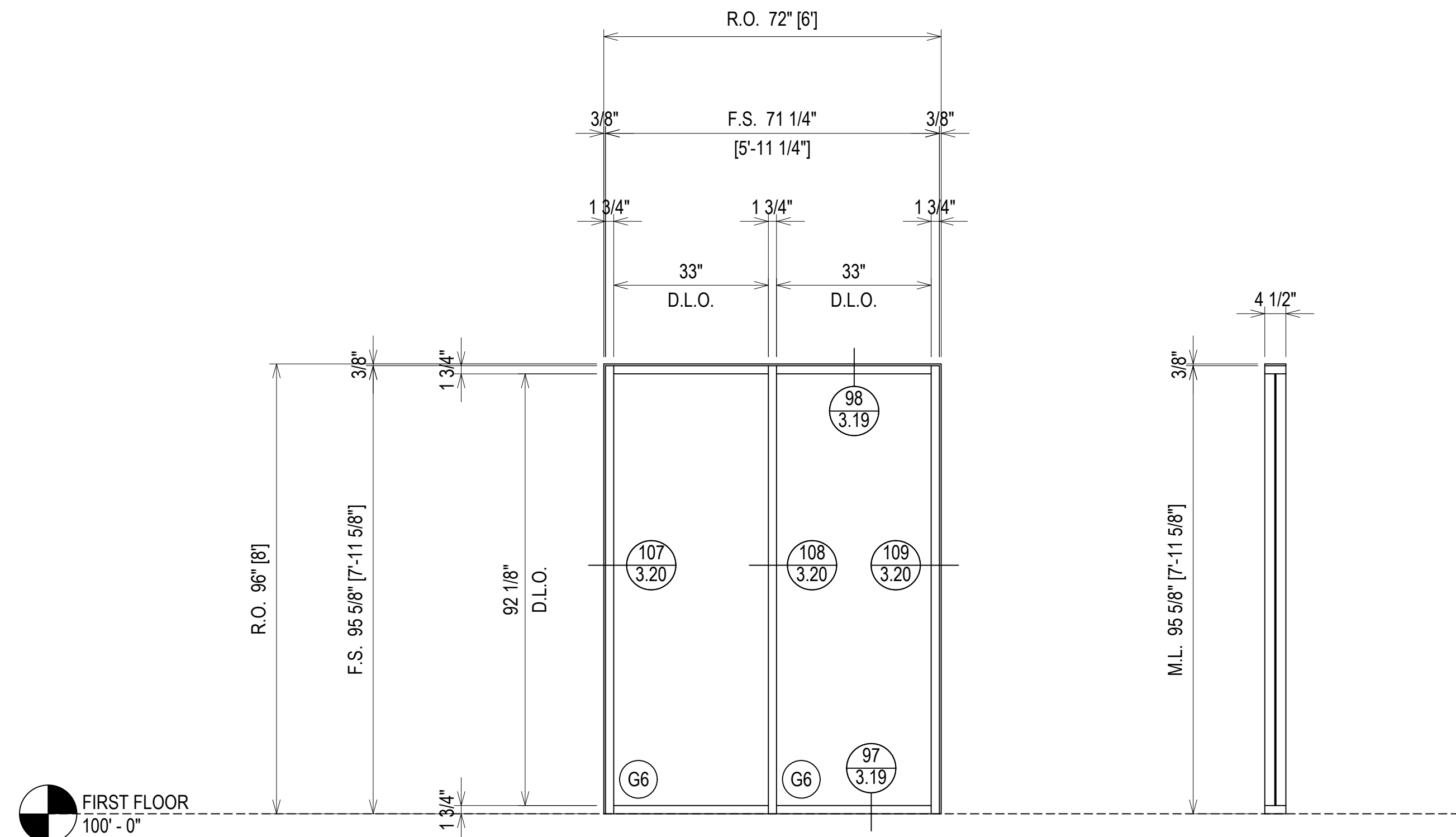


ARCH. REF.: N/A

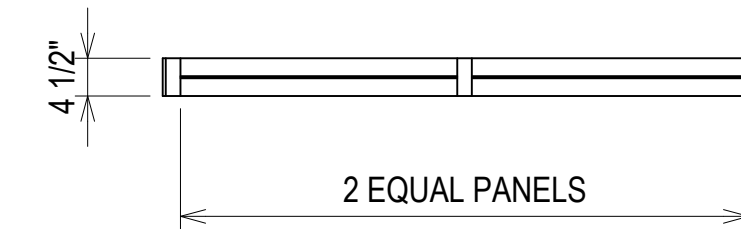


ELEVATION **SF29**

SCALE: 1/2" = 1'-0"  
 TUBELITE 4500 - 1 3/4" X 4 1/2"  
 INTERIOR STOREFRONT  
 1/4" TEMPERED GLASS (CENTER SET)  
 QUANTITY: 3

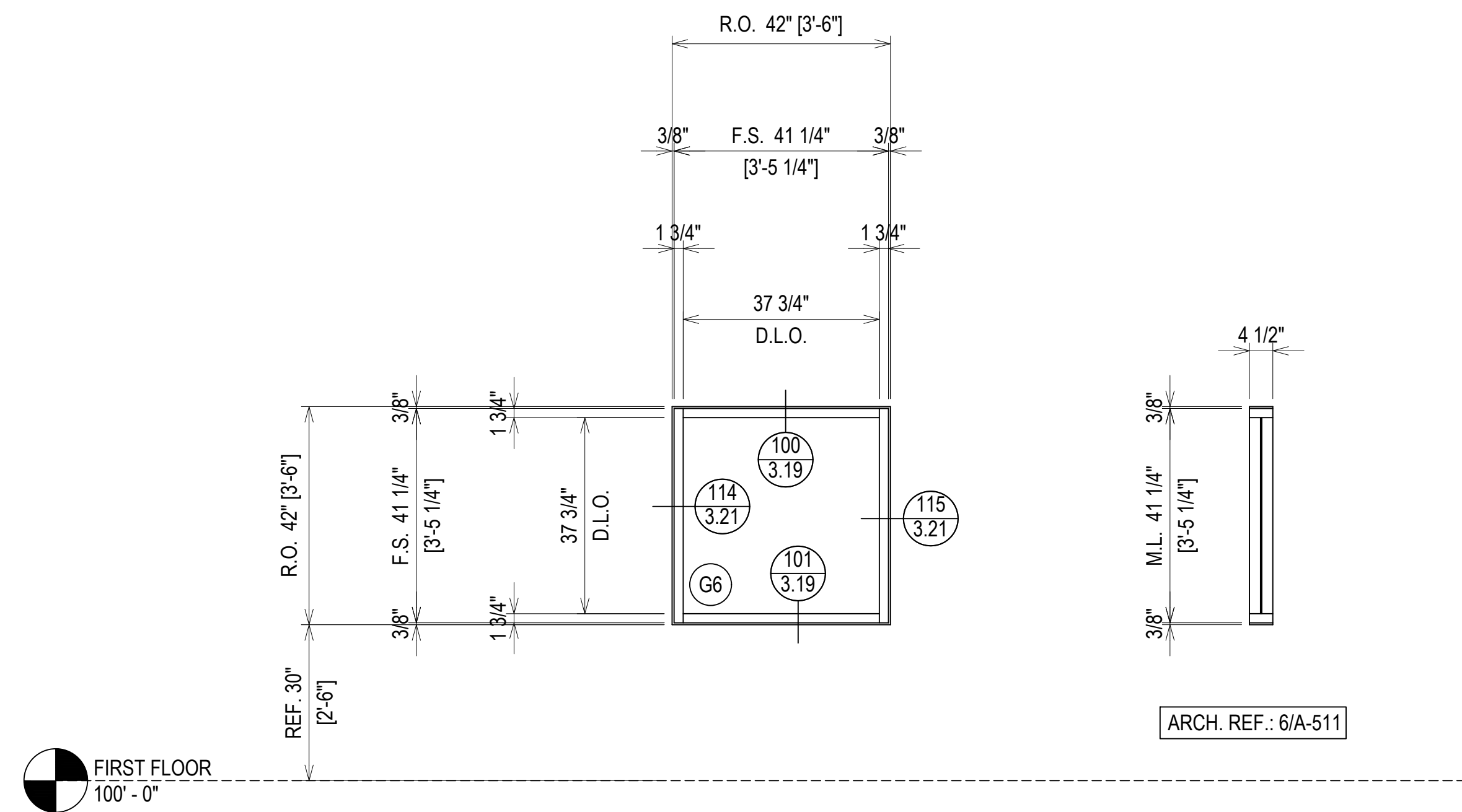


ARCH. REF.: N/A

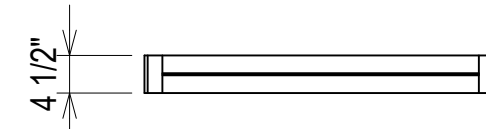


ELEVATION **SF30**

SCALE: 1/2" = 1'-0"  
 TUBELITE 4500 - 1 3/4" X 4 1/2"  
 INTERIOR STOREFRONT  
 1/4" TEMPERED GLASS (CENTER SET)  
 QUANTITY: 1



ARCH. REF.: 6/A-511



ELEVATION **SF31**

SCALE: 1/2" = 1'-0"  
 TUBELITE 4500 - 1 3/4" X 4 1/2"  
 INTERIOR STOREFRONT  
 1/4" TEMPERED GLASS (CENTER SET)  
 QUANTITY: 3

NO	DESCRIPTION

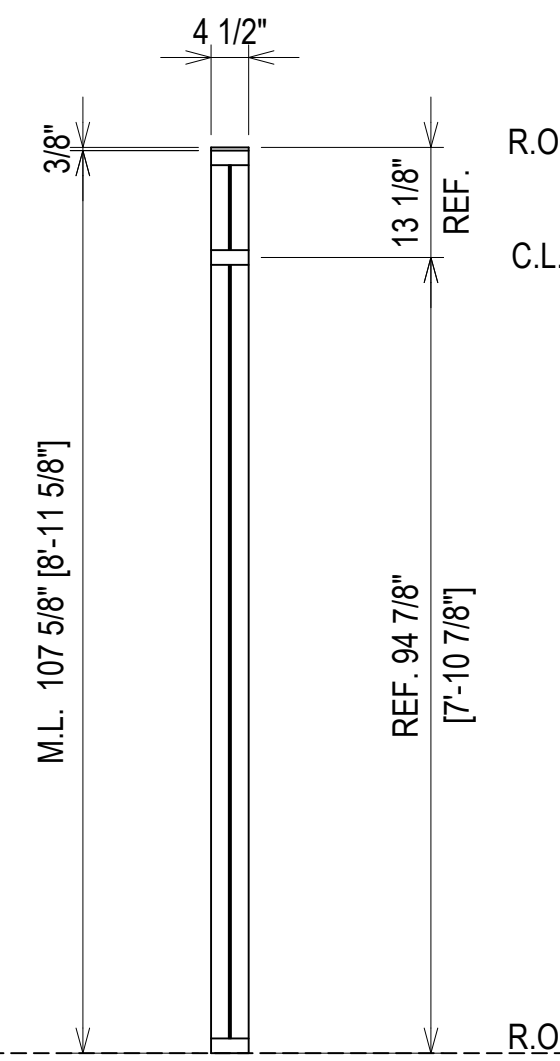
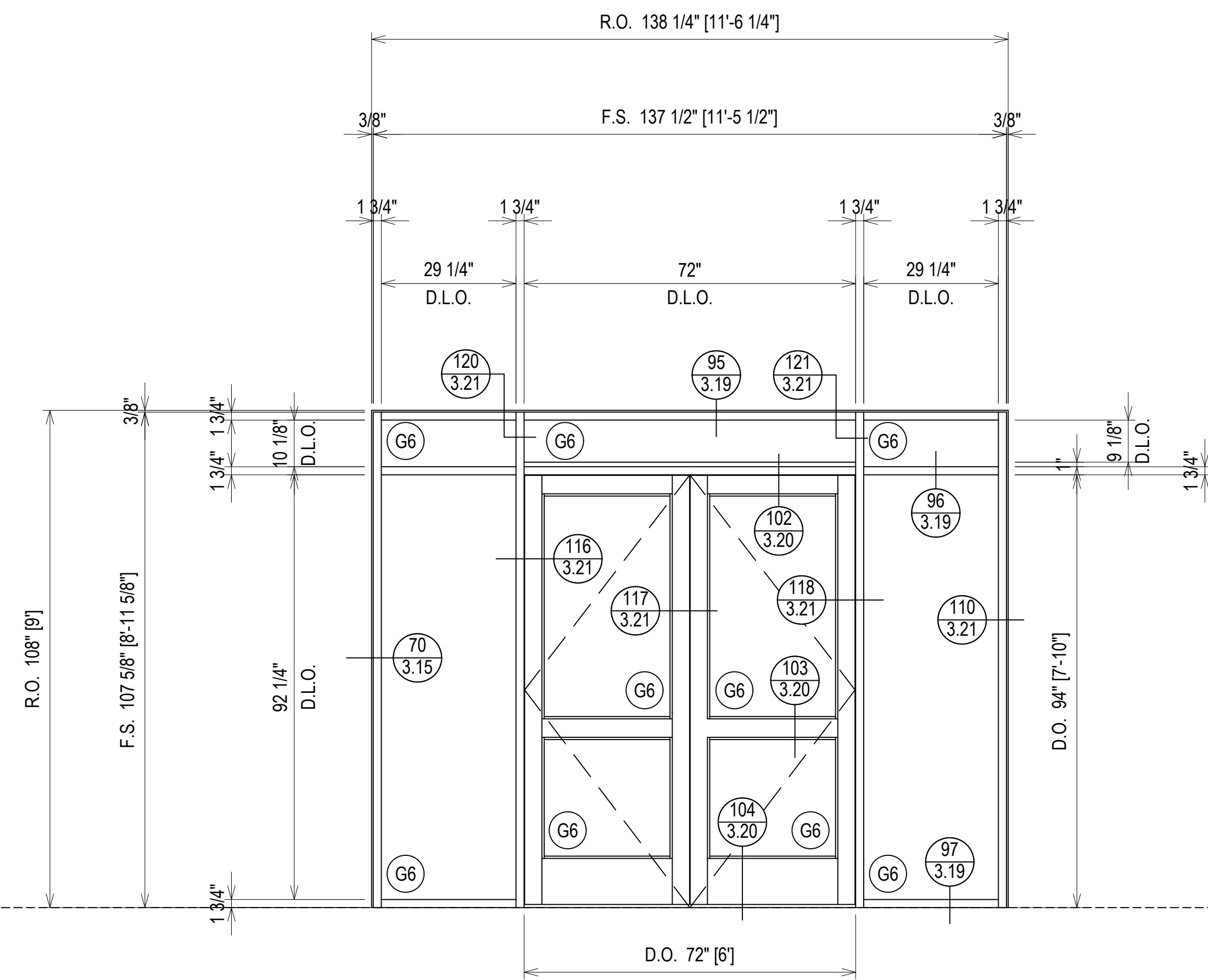
**MAYFIELD HEIGHTS AQUATIC AND COMMUNITY CENTER**  
 6080 MARSOL AVE.  
 MAYFIELD HEIGHTS, OH 44124

SIXTH CITY GLAZING  
 11941 ABBEY ROAD, UNIT E  
 NORTH ROYALTON, OH 44133

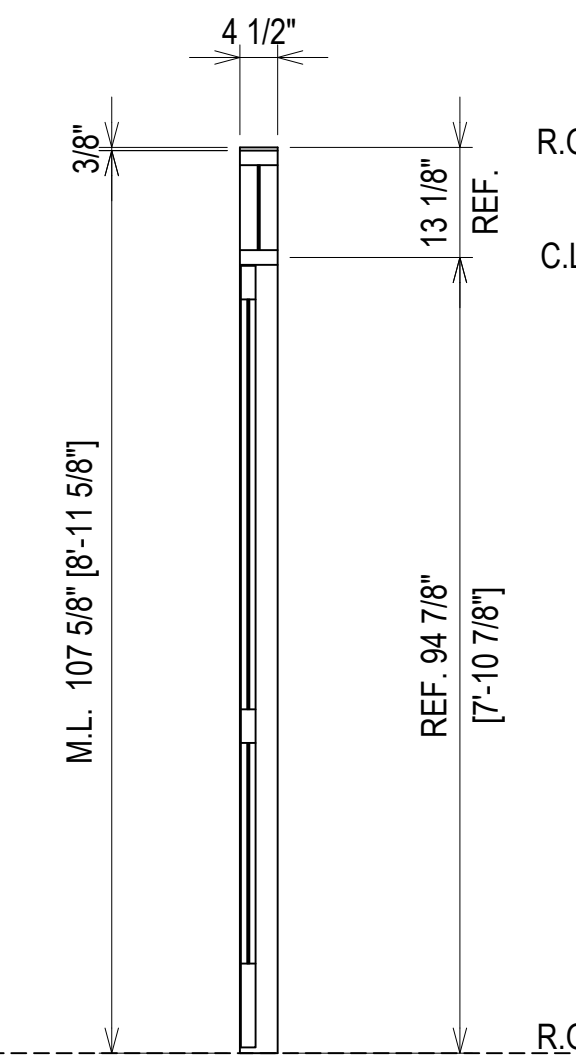
DRAWN BY: DJ	DATE: 10.3.22
CHECKED BY: RS	DATE: 10.3.22

ERECTOR / G.C. NOTE:  
 PLEASE FIELD VERIFY ALL DIMENSIONS

FIRST FLOOR  
100'-0"

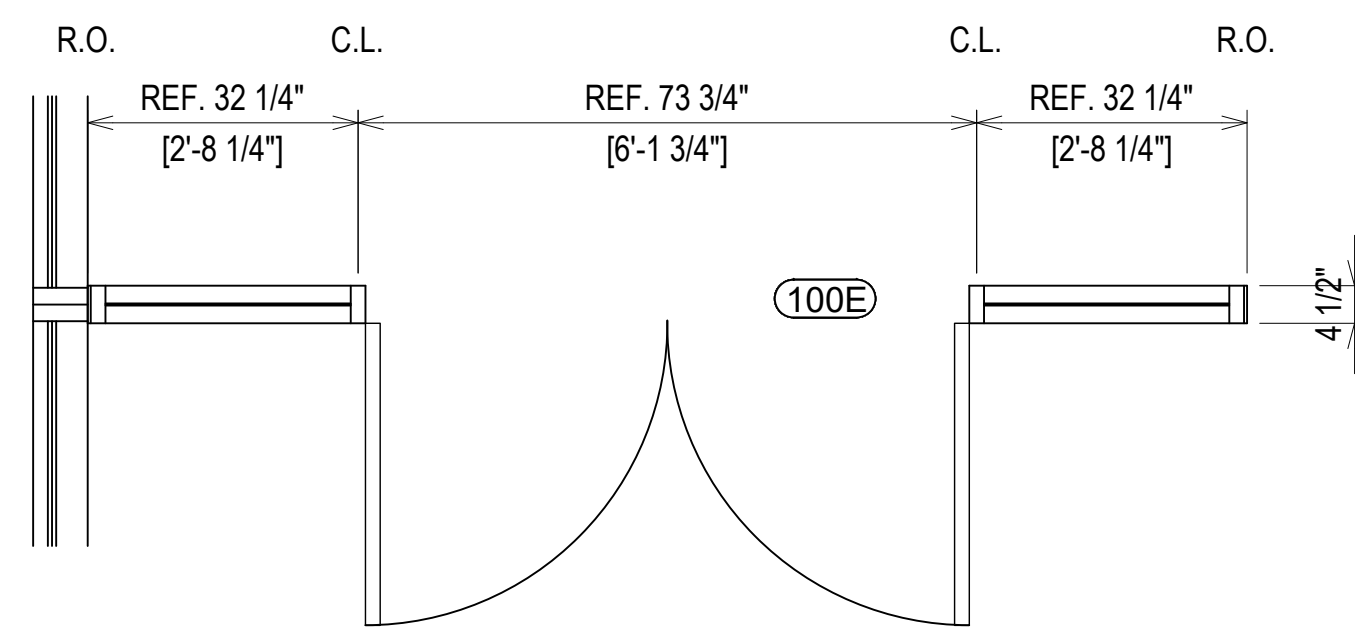


ARCH. REF.: N/A

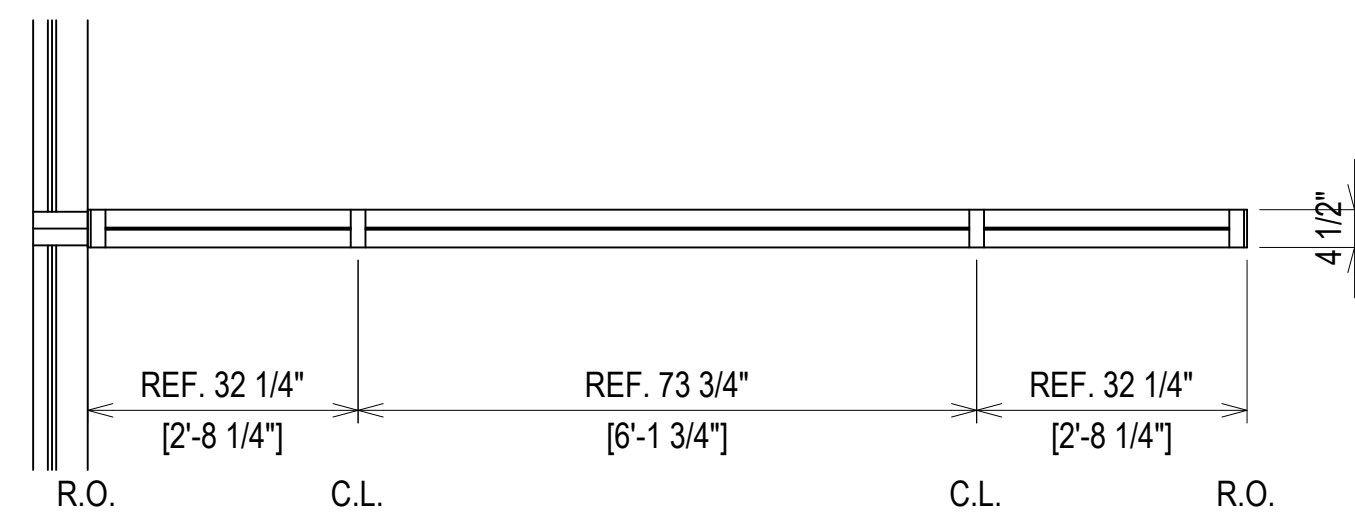


ARCH. REF.: N/A

SF23  
2.18



SF23  
2.18



ELEVATION **SF32**

SCALE: 1/2" = 1'-0"  
TUBELITE 4500 - 1 3/4" X 4 1/2"  
INTERIOR STOREFRONT  
1/4" TEMPERED GLASS (CENTER SET)  
QUANTITY: 1

ERECTOR / G.C. NOTE:  
PLEASE FIELD VERIFY ALL DIMENSIONS

NO	DESCRIPTION

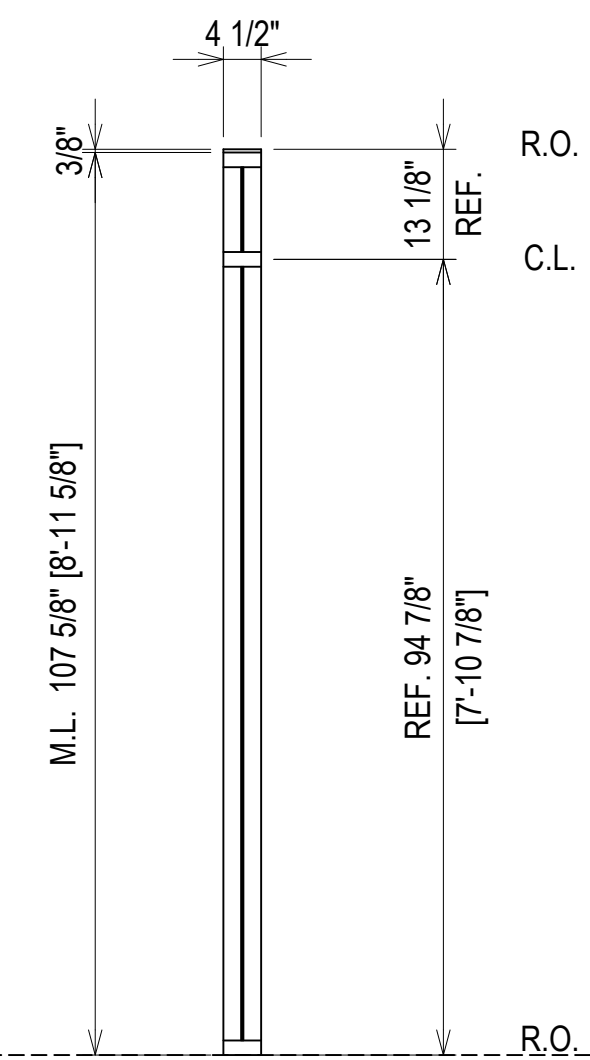
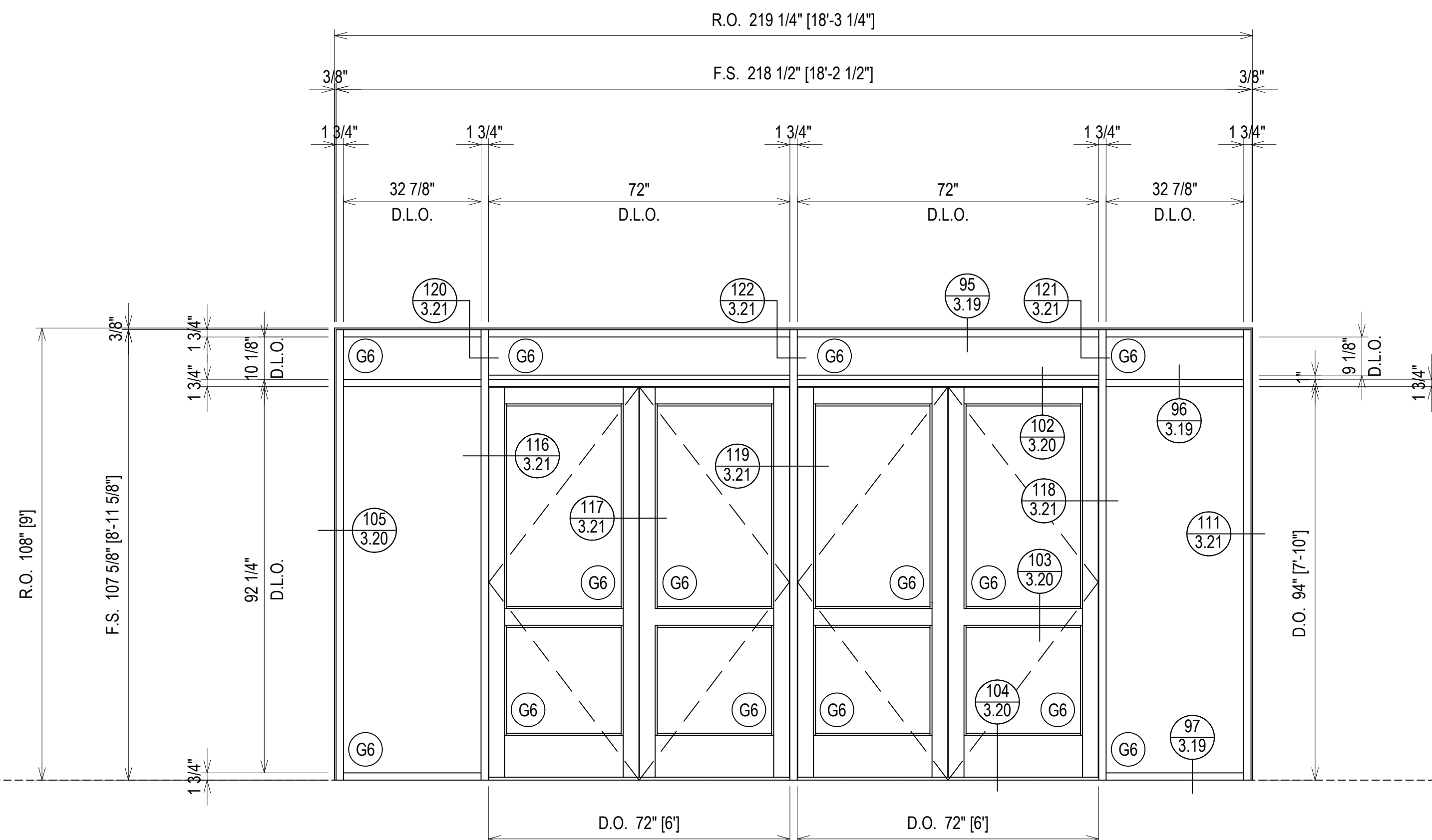
**MAYFIELD HEIGHTS AQUATIC AND COMMUNITY CENTER**  
6080 MARSOL AVE.  
MAYFIELD HEIGHTS, OH 44124

SIXTH CITY GLAZING  
11941 ABBEY ROAD, UNIT E  
NORTH ROYALTON, OH 44133

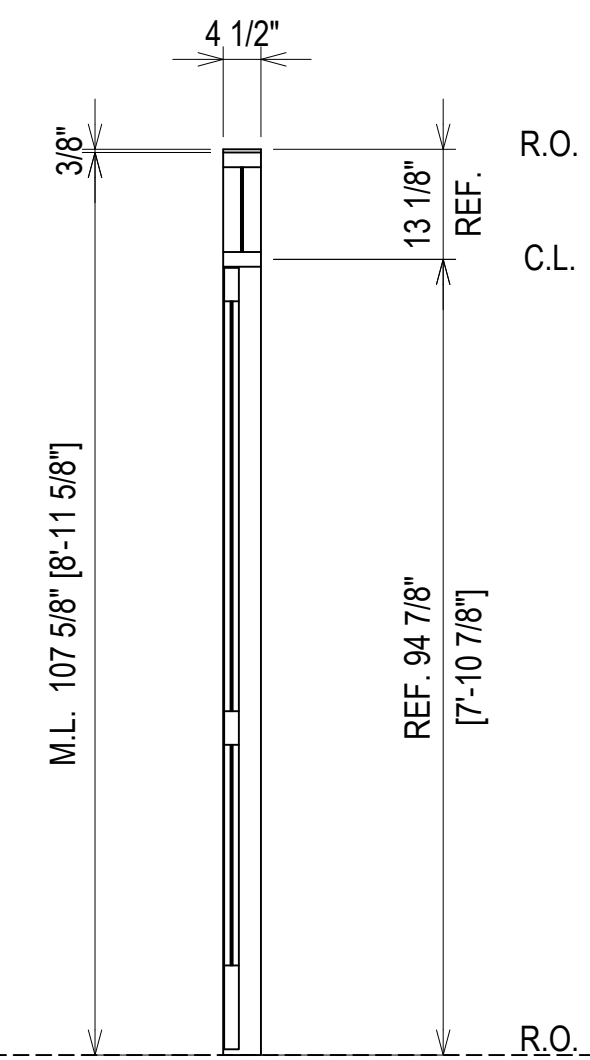
DRAWN BY: DJ	DATE: 10.3.22
CHECKED BY: RS	DATE: 10.3.22

**2.23**

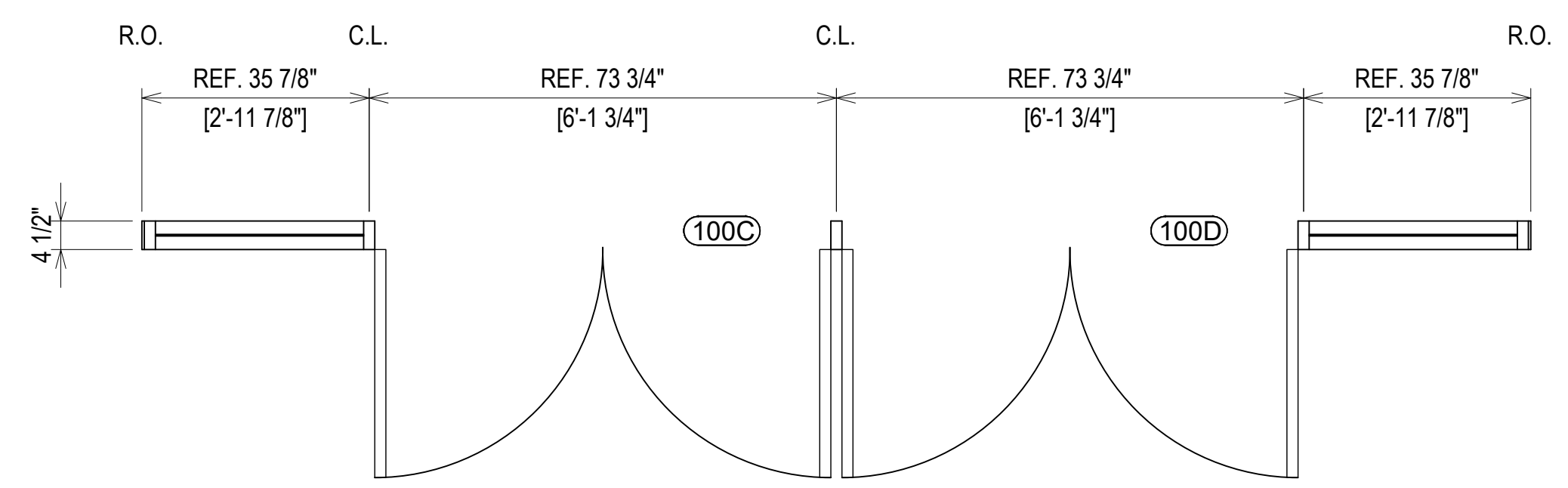
FIRST FLOOR  
100'-0"



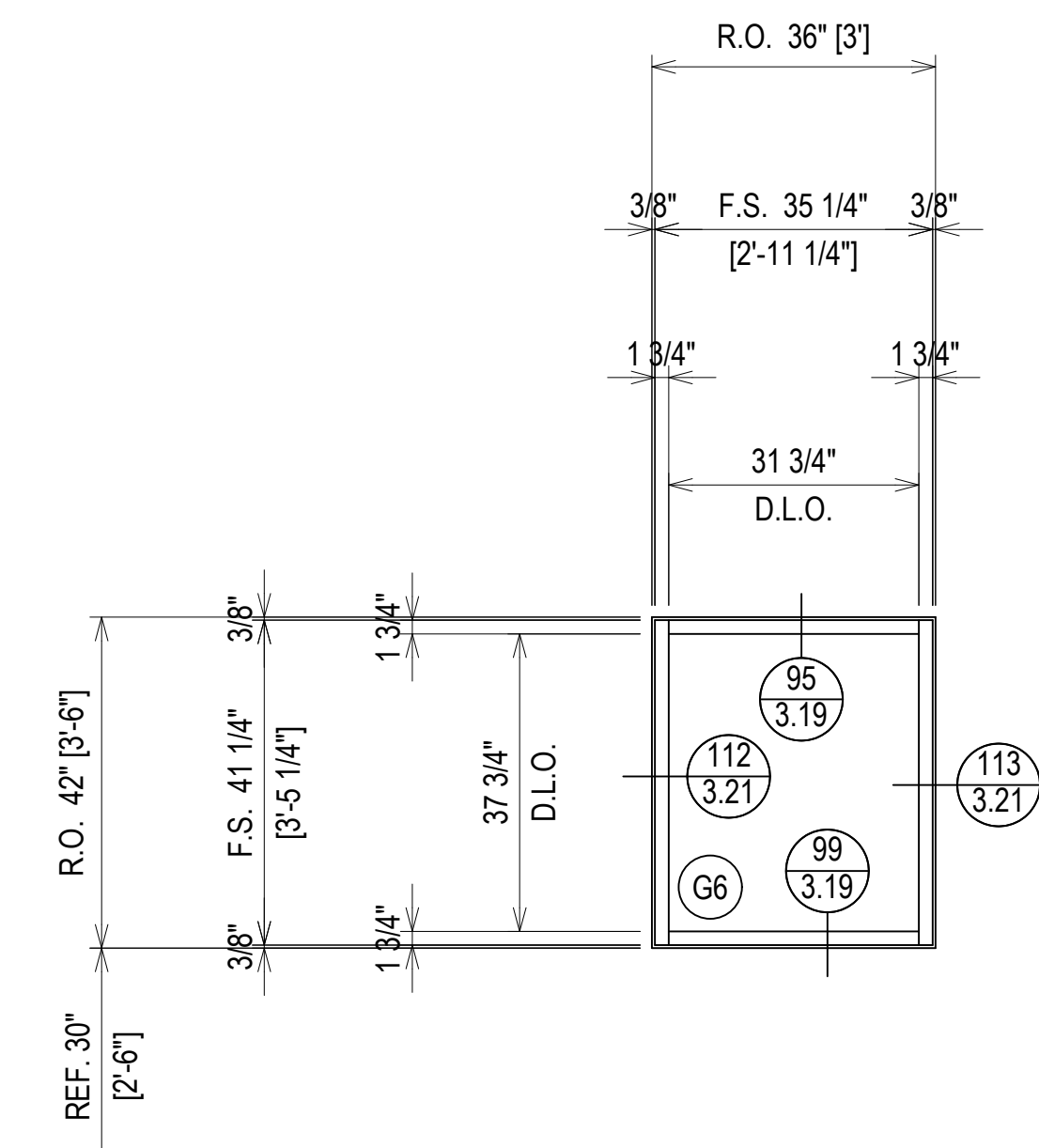
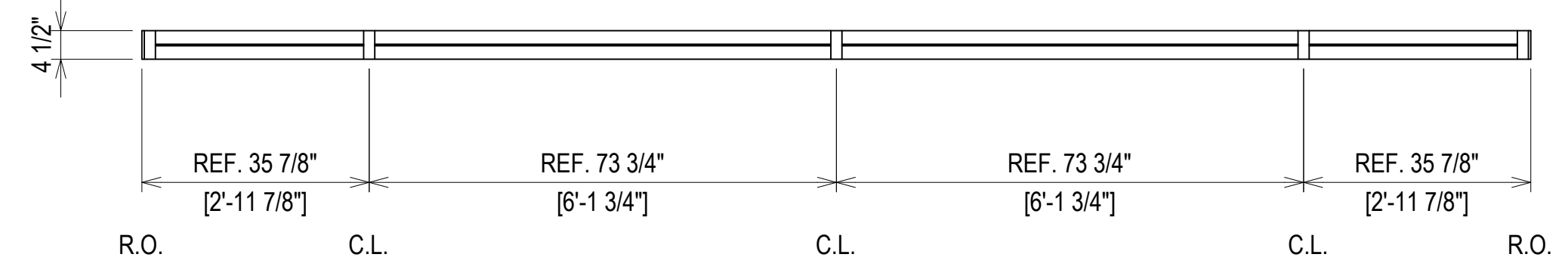
ARCH. REF.: N/A



ARCH. REF.: N/A

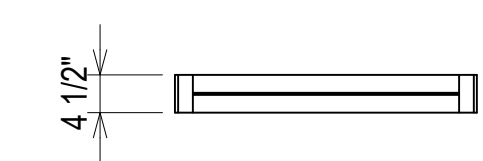


ELEVATION **SF33**  
SCALE: 1/2" = 1'-0"  
TUBELITE 4500 - 1 3/4" X 4 1/2"  
INTERIOR STOREFRONT  
1/4" TEMPERED GLASS (CENTER SET)  
QUANTITY: 1



ARCH. REF.: N/A

FIRST FLOOR  
100'-0"



ELEVATION **SF34**  
SCALE: 1/2" = 1'-0"  
TUBELITE 4500 - 1 3/4" X 4 1/2"  
INTERIOR STOREFRONT  
1/4" TEMPERED GLASS (CENTER SET)  
QUANTITY: 1

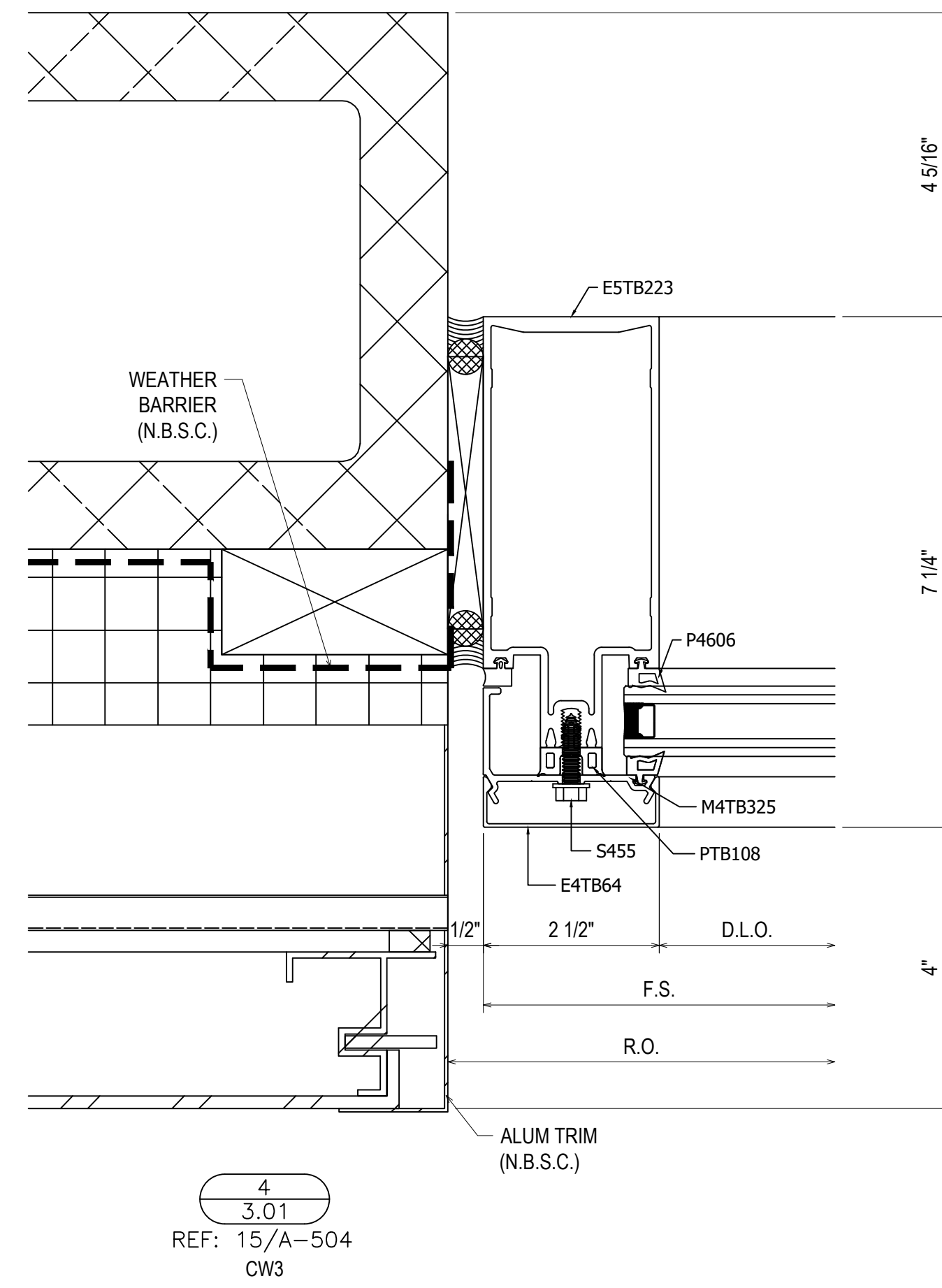
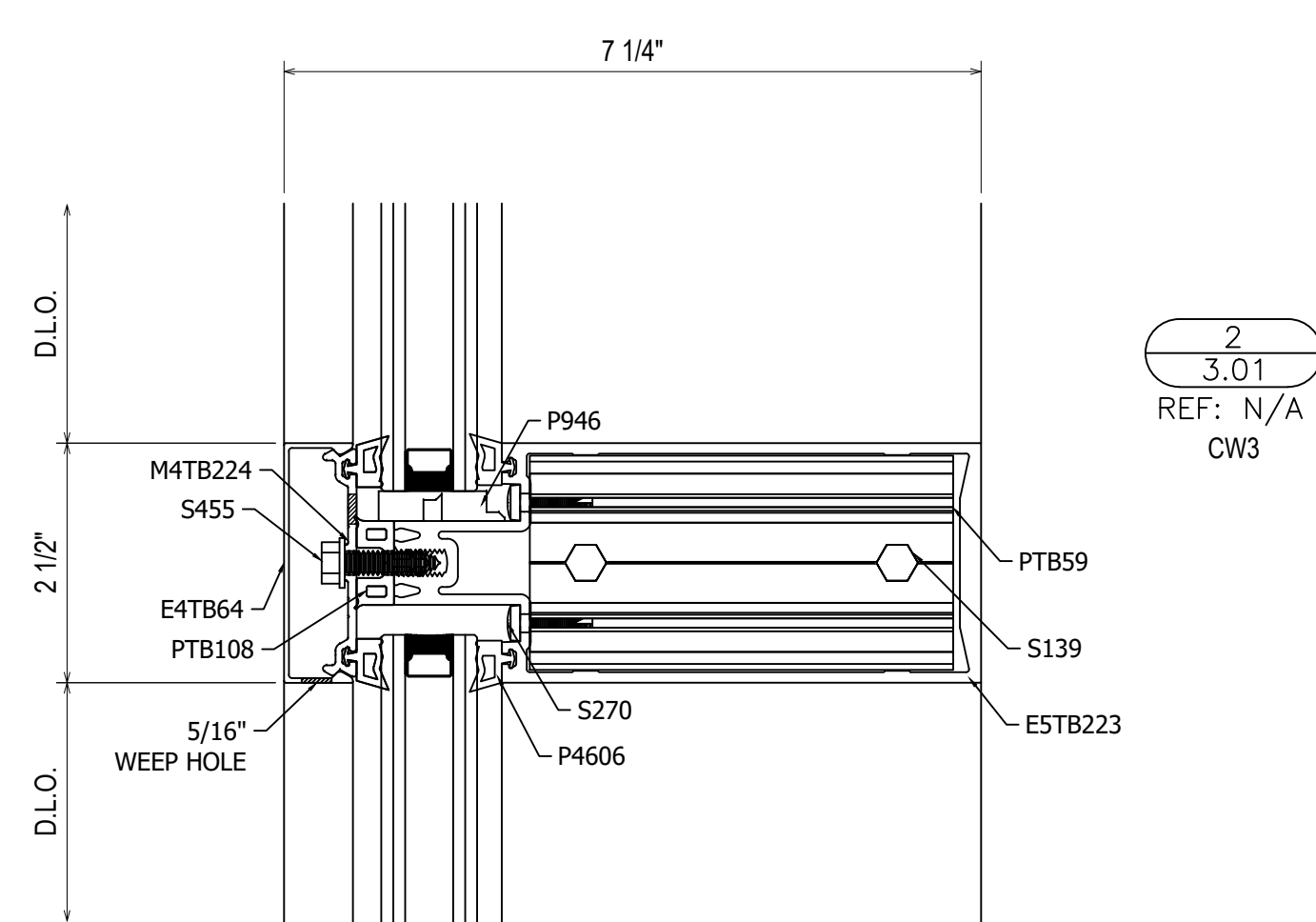
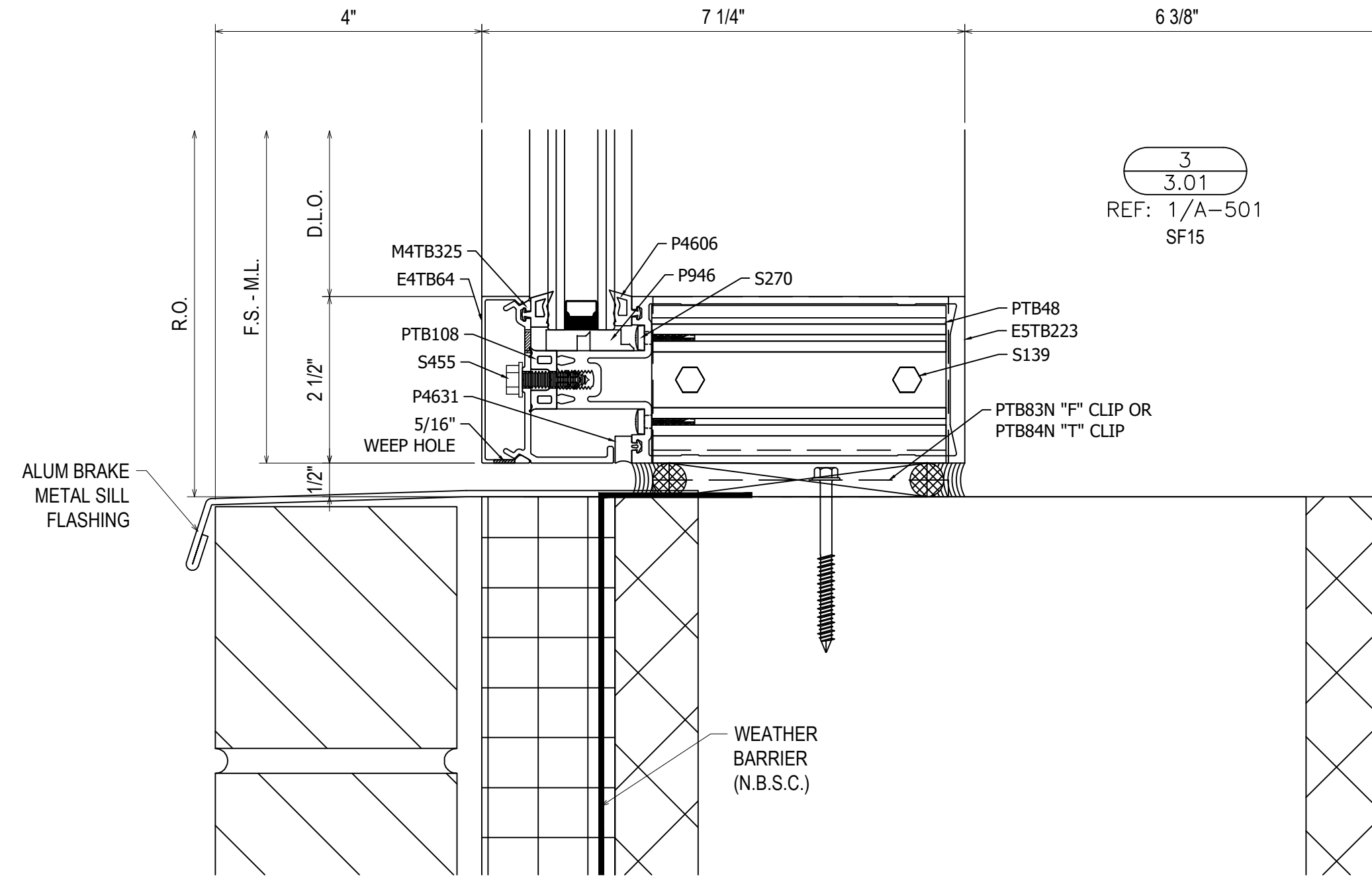
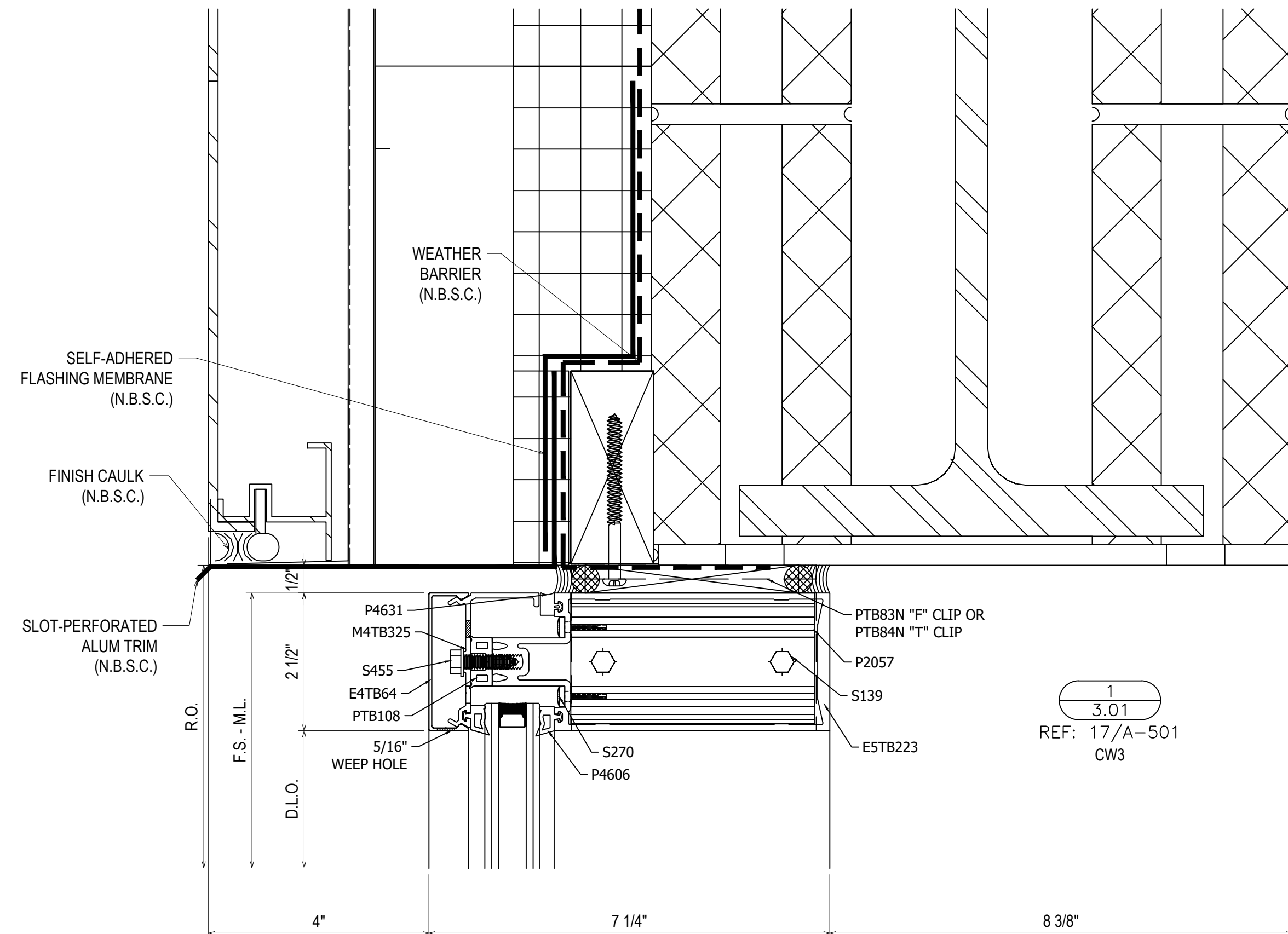
ERECTOR / G.C. NOTE:  
PLEASE FIELD VERIFY ALL DIMENSIONS

NO	DESCRIPTION

**MAYFIELD HEIGHTS AQUATIC AND COMMUNITY CENTER**  
6080 MARSOL AVE.  
MAYFIELD HEIGHTS, OH 44124

SIXTH CITY GLAZING  
11941 ABBEY ROAD, UNIT E  
NORTH ROYALTON, OH 44133

DRAWN BY: DJ	DATE: 10.3.22
CHECKED BY: RS	DATE: 10.3.22



NO	DESCRIPTION
	DRAWING SUBMISSION

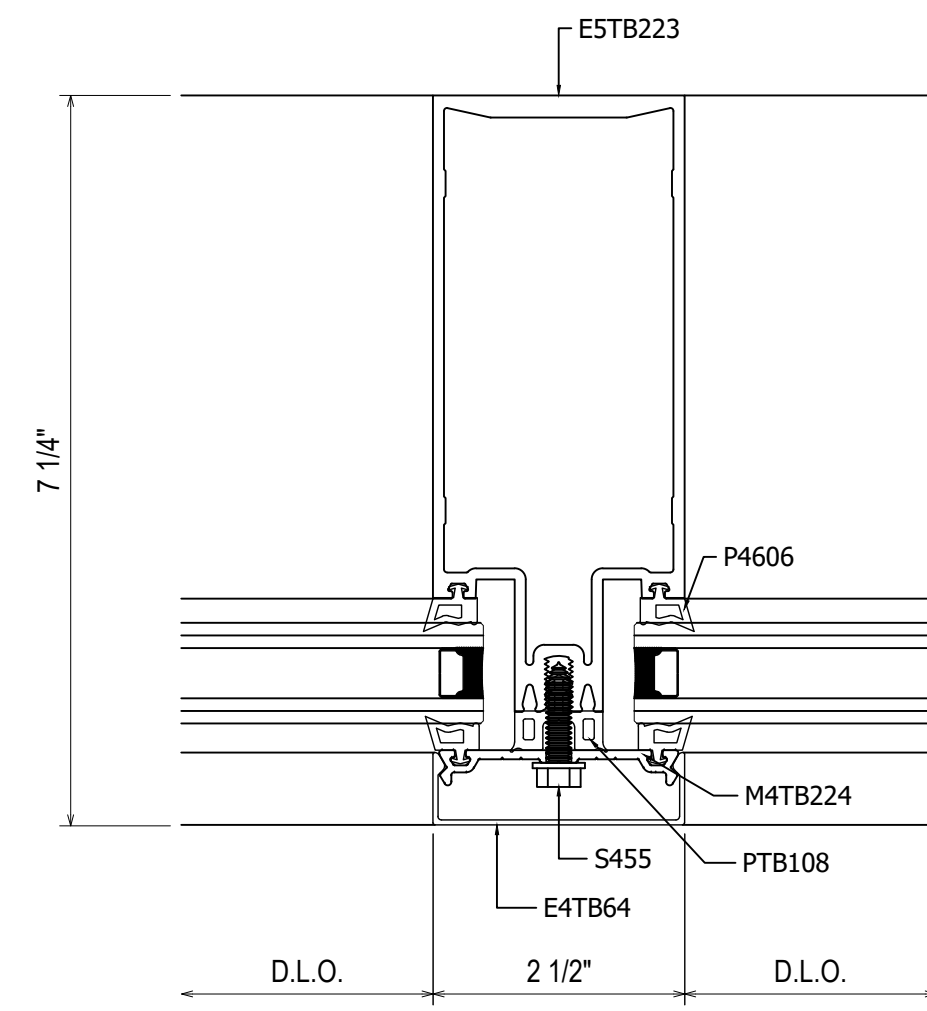
**MAYFIELD HEIGHTS AQUATIC AND COMMUNITY CENTER**  
 6080 MARSOL AVE.  
 MAYFIELD HEIGHTS, OH 44124

SIXTH CITY GLAZING  
 11941 ABBEY ROAD, UNIT E  
 NORTH ROYALTON, OH 44133

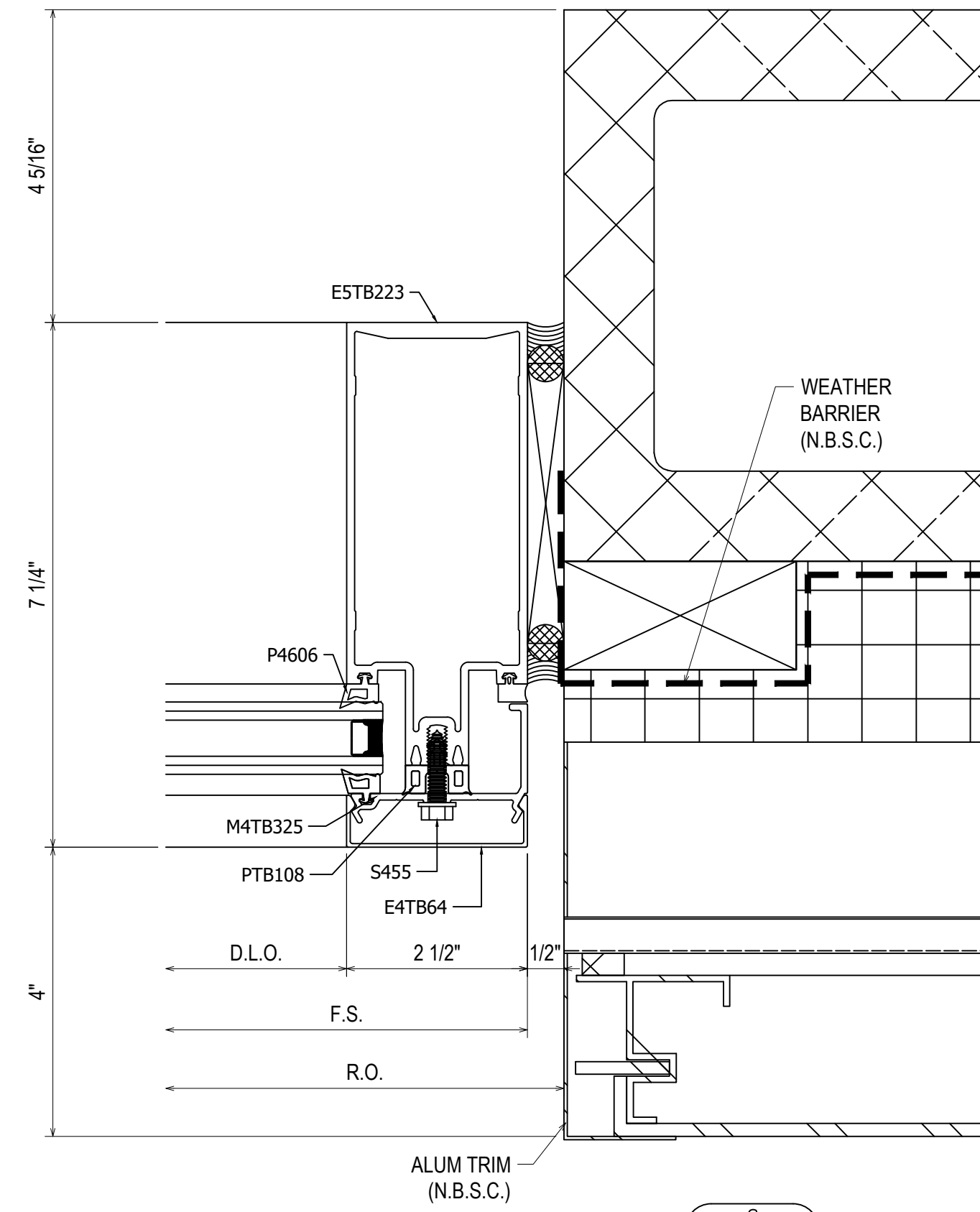
DRAWN BY:	DATE:
DJ	10.3.22
CHECKED BY:	DATE:
RS	10.3.22

**3.01**

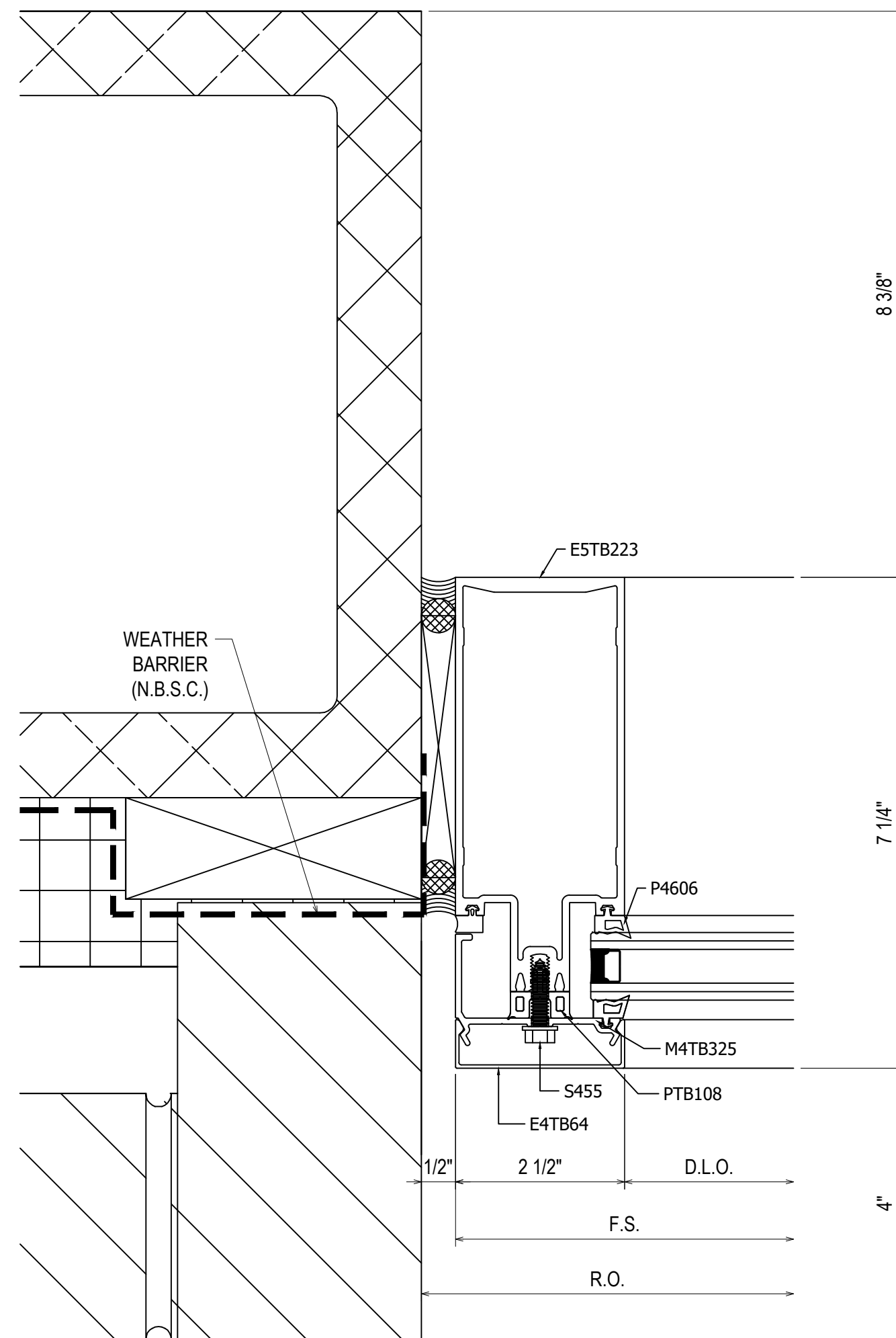




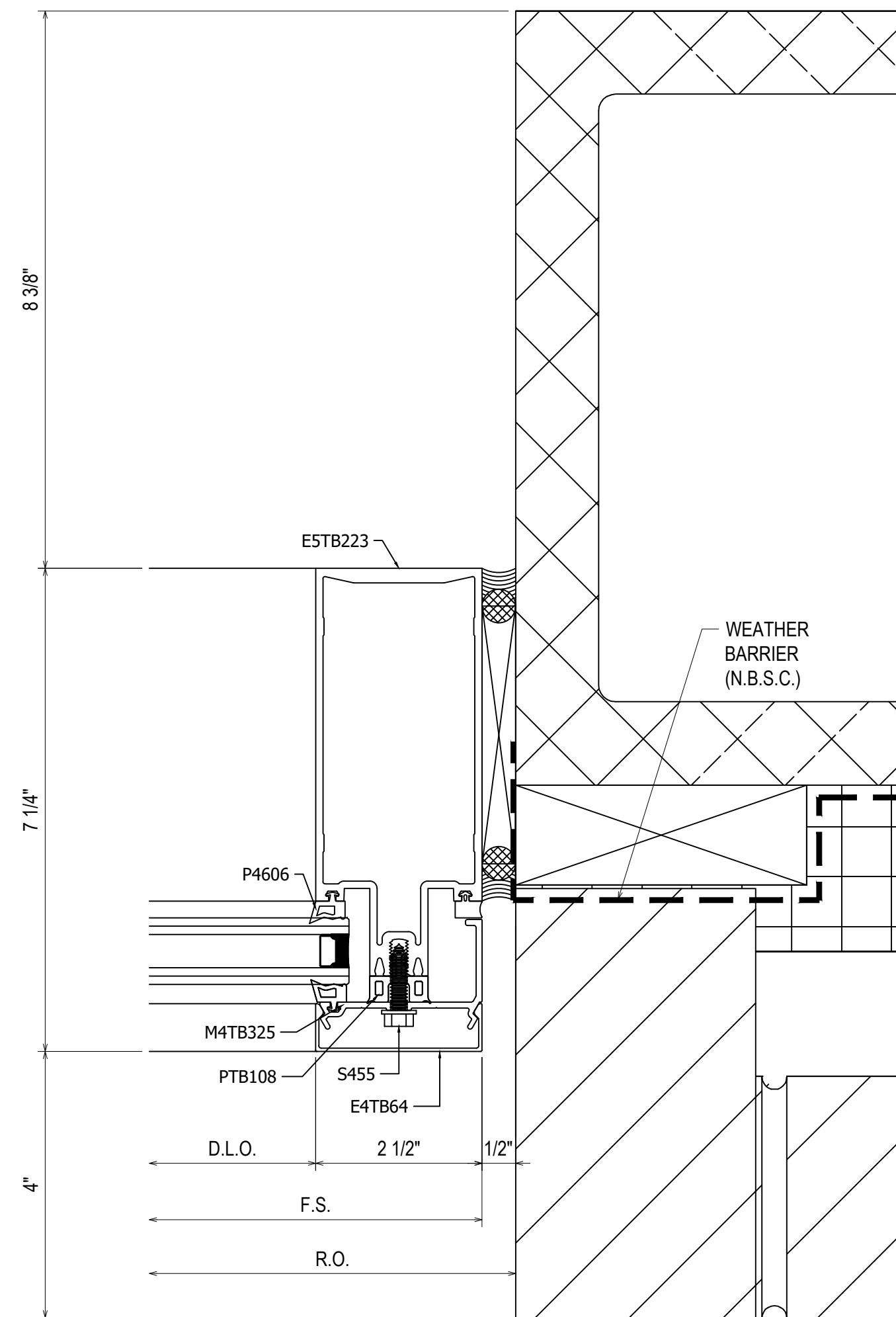
5  
3.02  
REF: N/A  
CW3



6  
3.02  
REF: 15/A-504  
CW3



7  
3.02  
REF: 10/A-504  
CW3



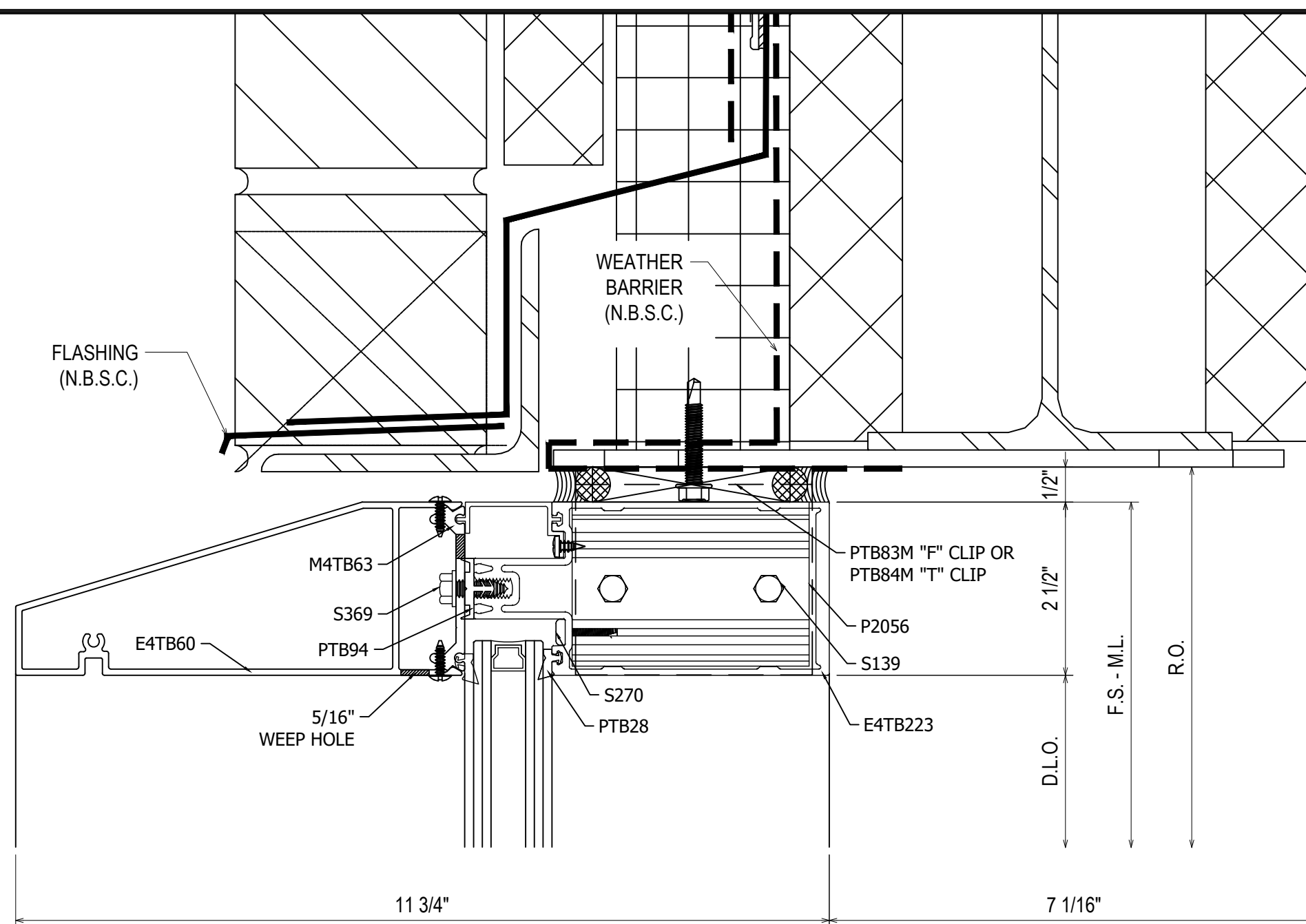
8  
3.02  
REF: 10/A-504  
CW3

NO	DESCRIPTION

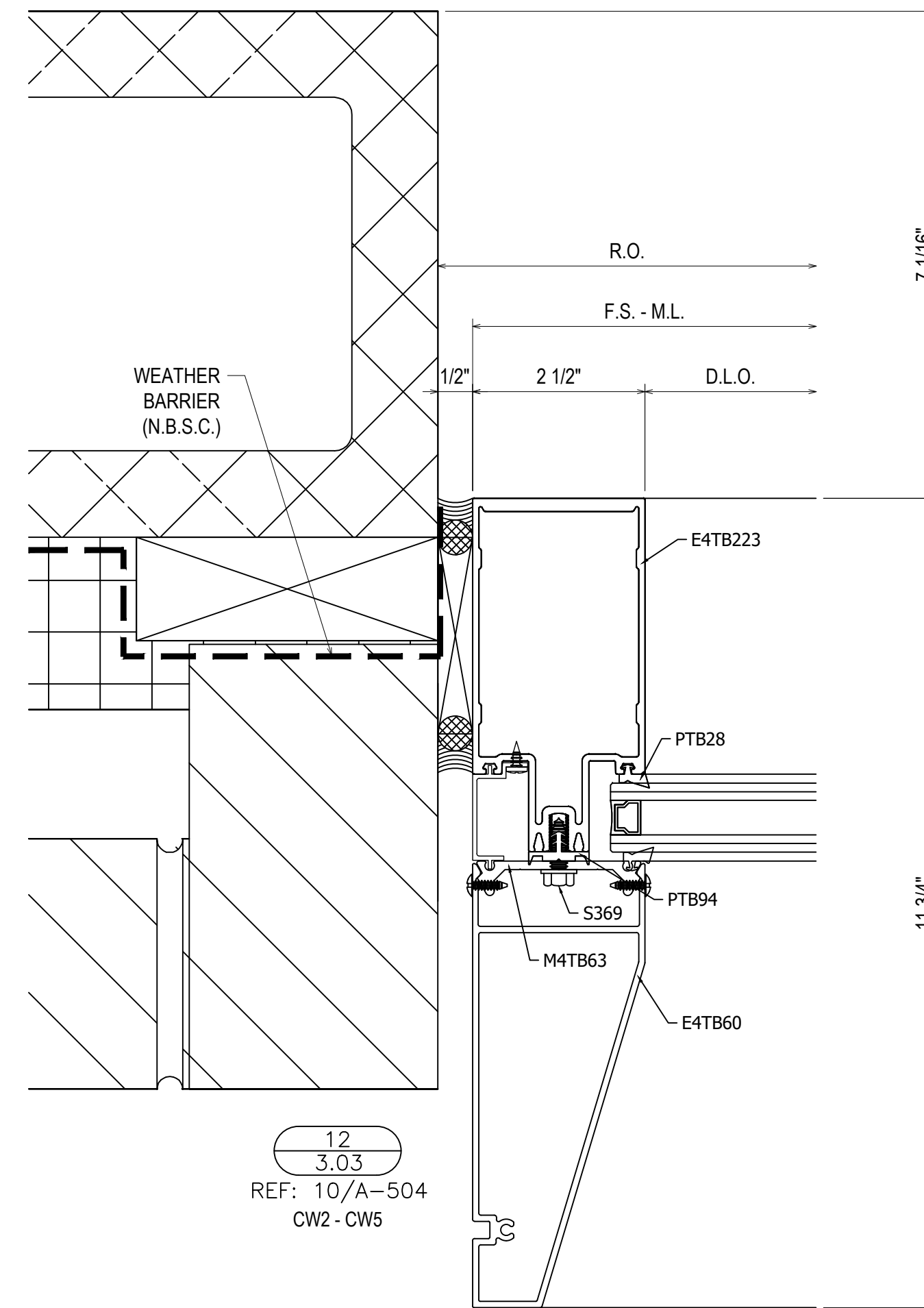
**MAYFIELD HEIGHTS AQUATIC AND COMMUNITY CENTER**  
6080 MARSOL AVE.  
MAYFIELD HEIGHTS, OH 44124

SIXTH CITY GLAZING  
11941 ABBEY ROAD, UNIT E  
NORTH ROYALTON, OH 44133

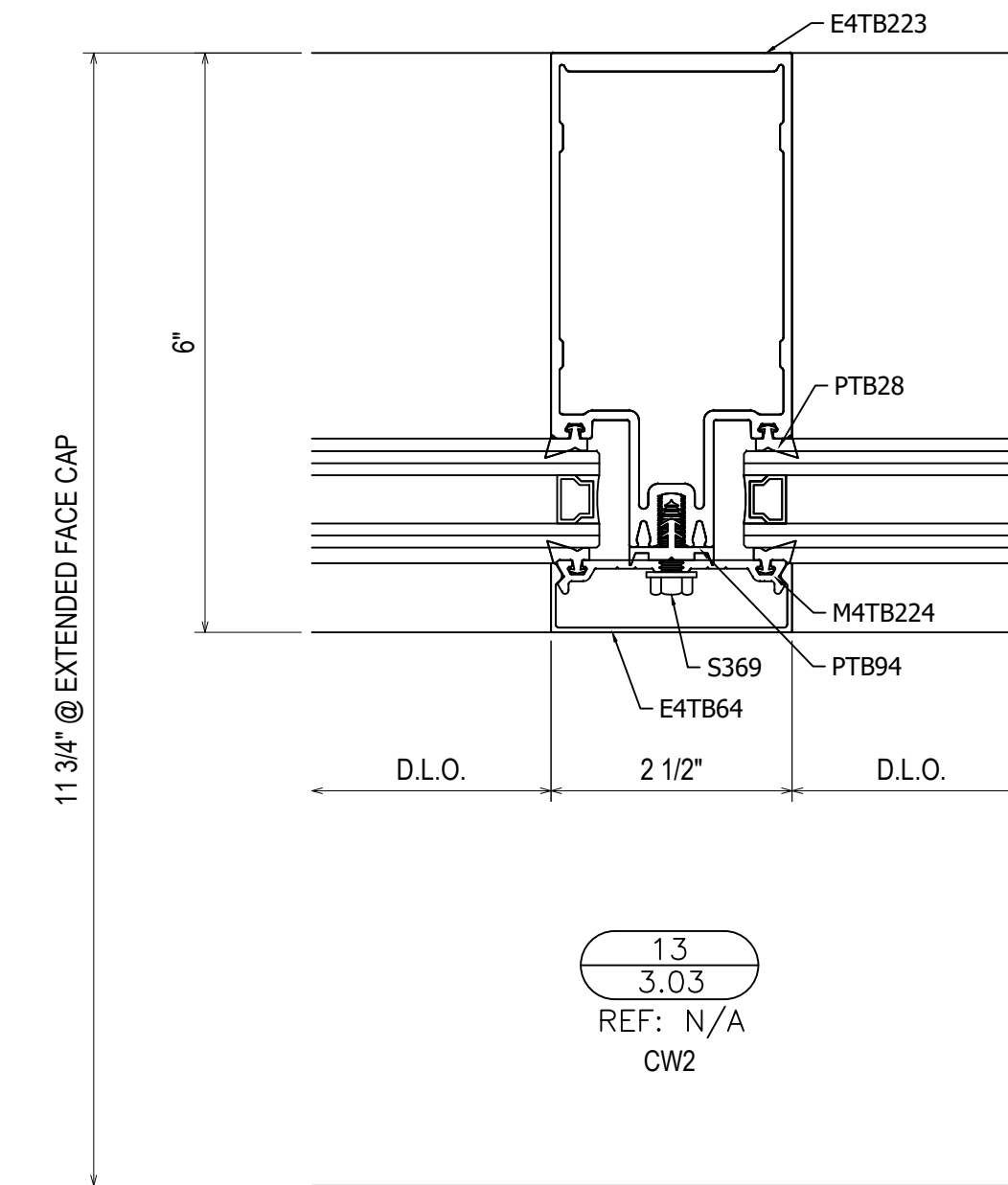
DRAWN BY:	DATE:
DJ	10.3.22
CHECKED BY:	DATE:
RS	10.3.22



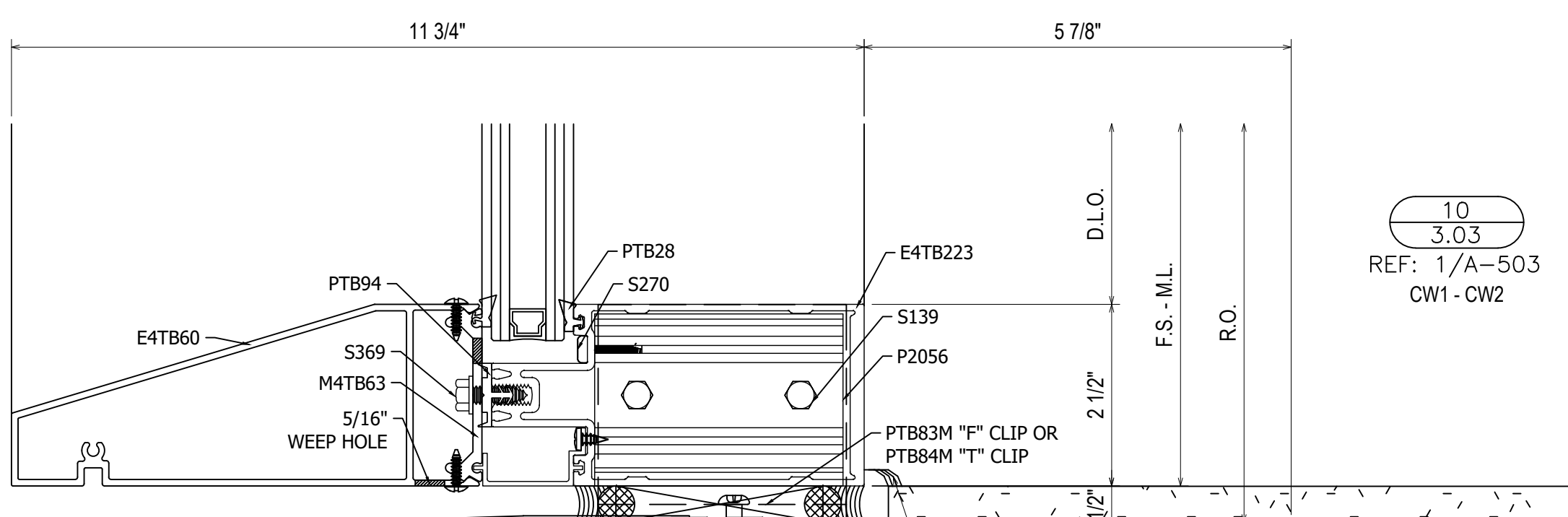
9  
3.03  
REF: 13/A-501  
CW1 - CW2 - CW4 - CW5



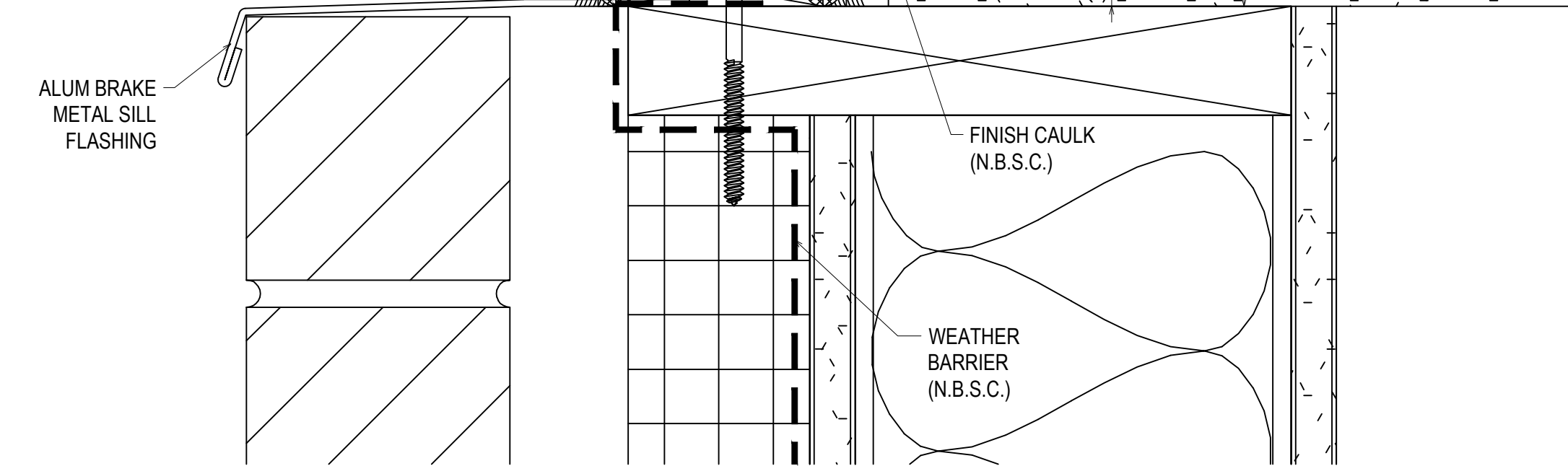
12  
3.03  
REF: 10/A-504  
CW2 - CW5



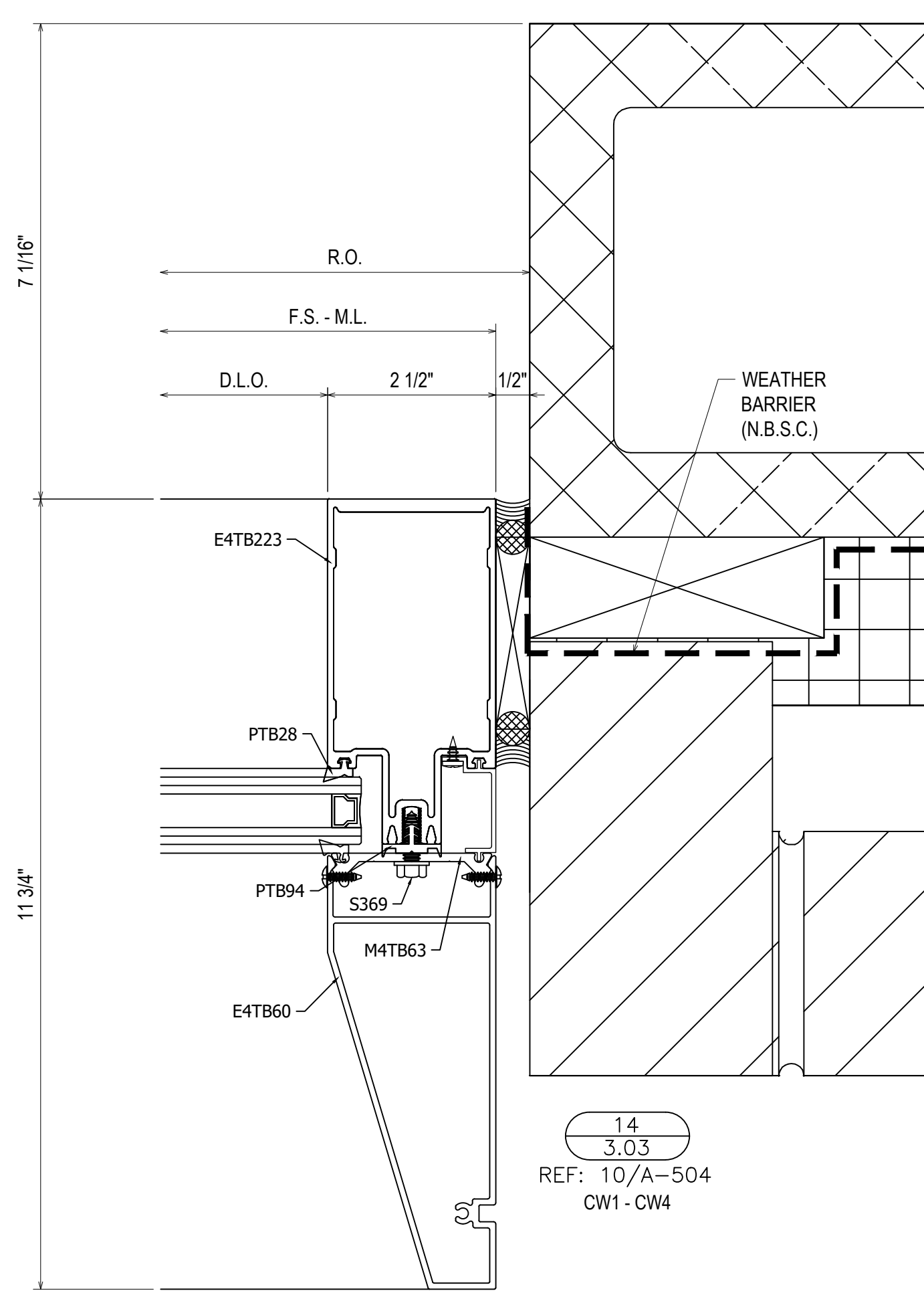
13  
3.03  
REF: N/A  
CW2



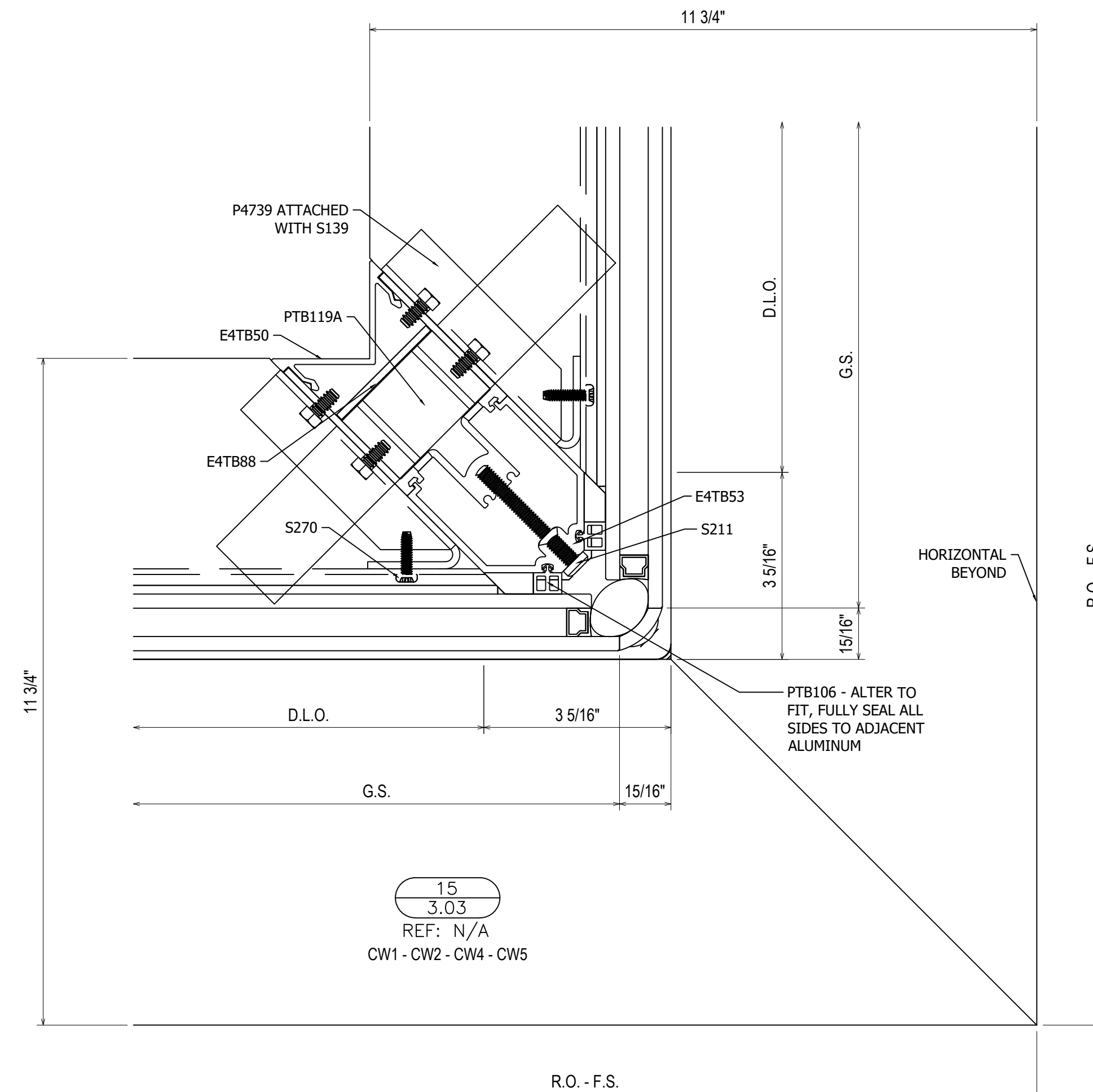
10  
3.03  
REF: 1/A-503  
CW1 - CW2



11  
3.03  
REF: 12/A-501  
CW4 - CW5



14  
3.03  
REF: 10/A-504  
CW1 - CW4



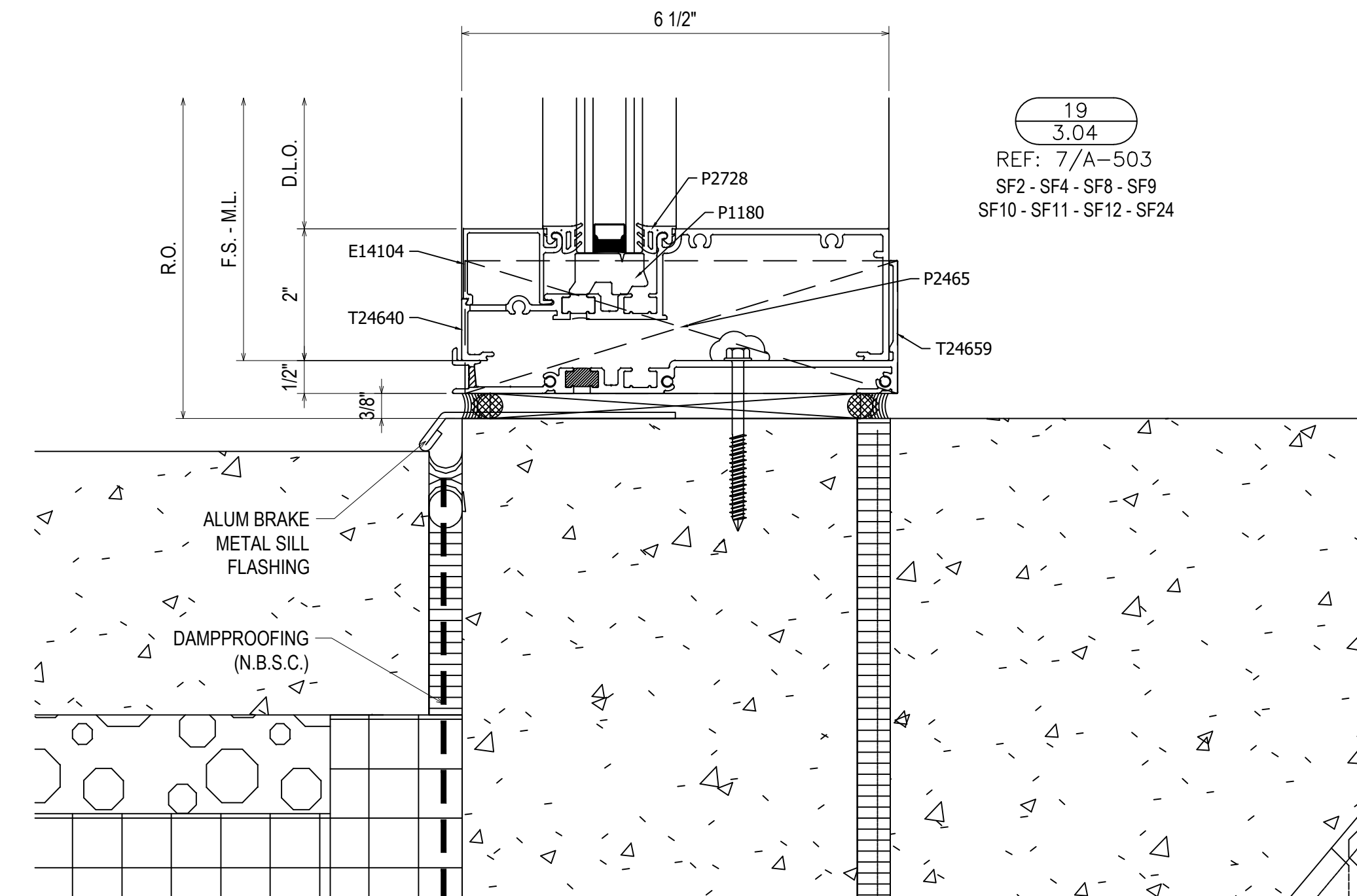
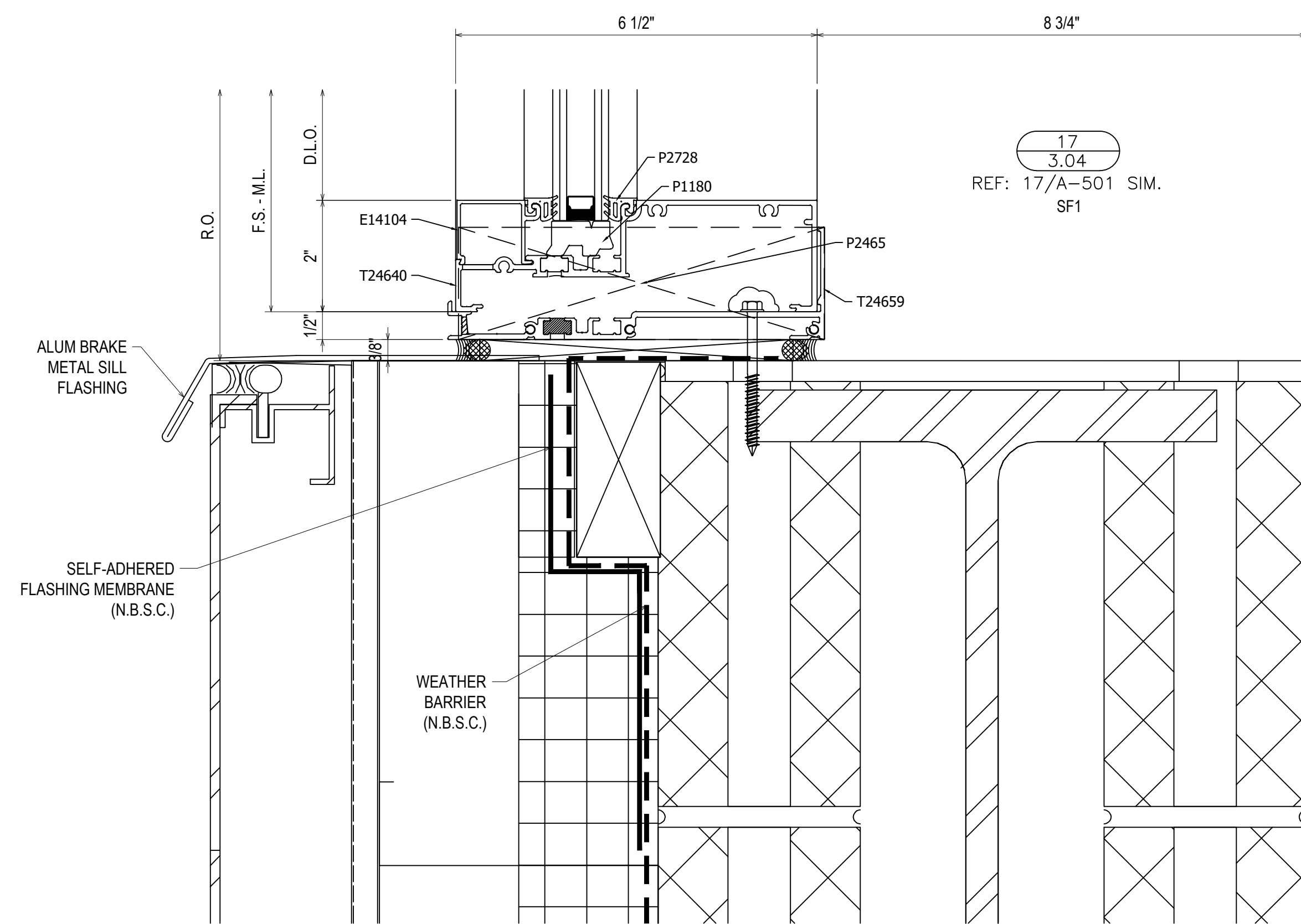
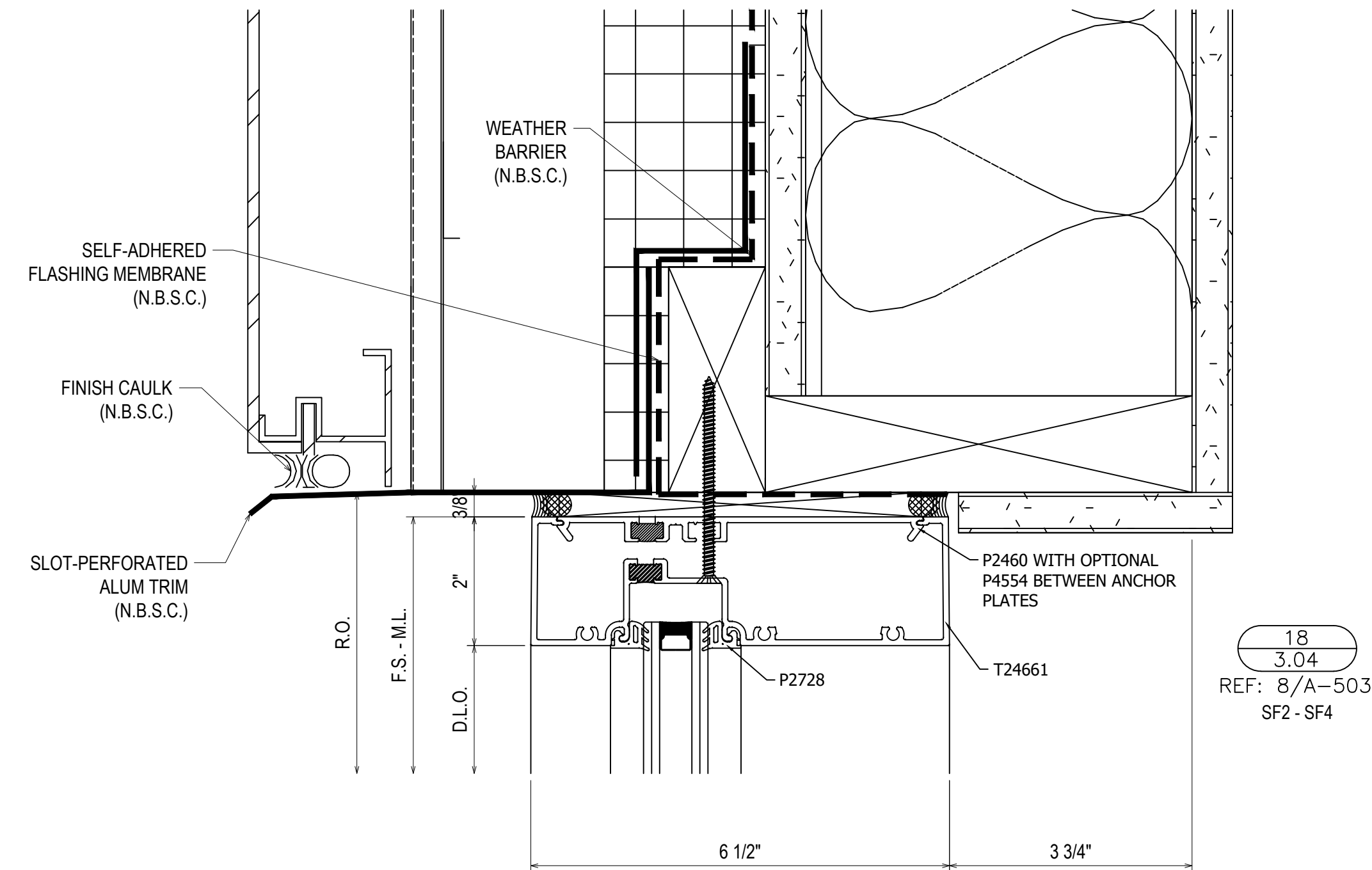
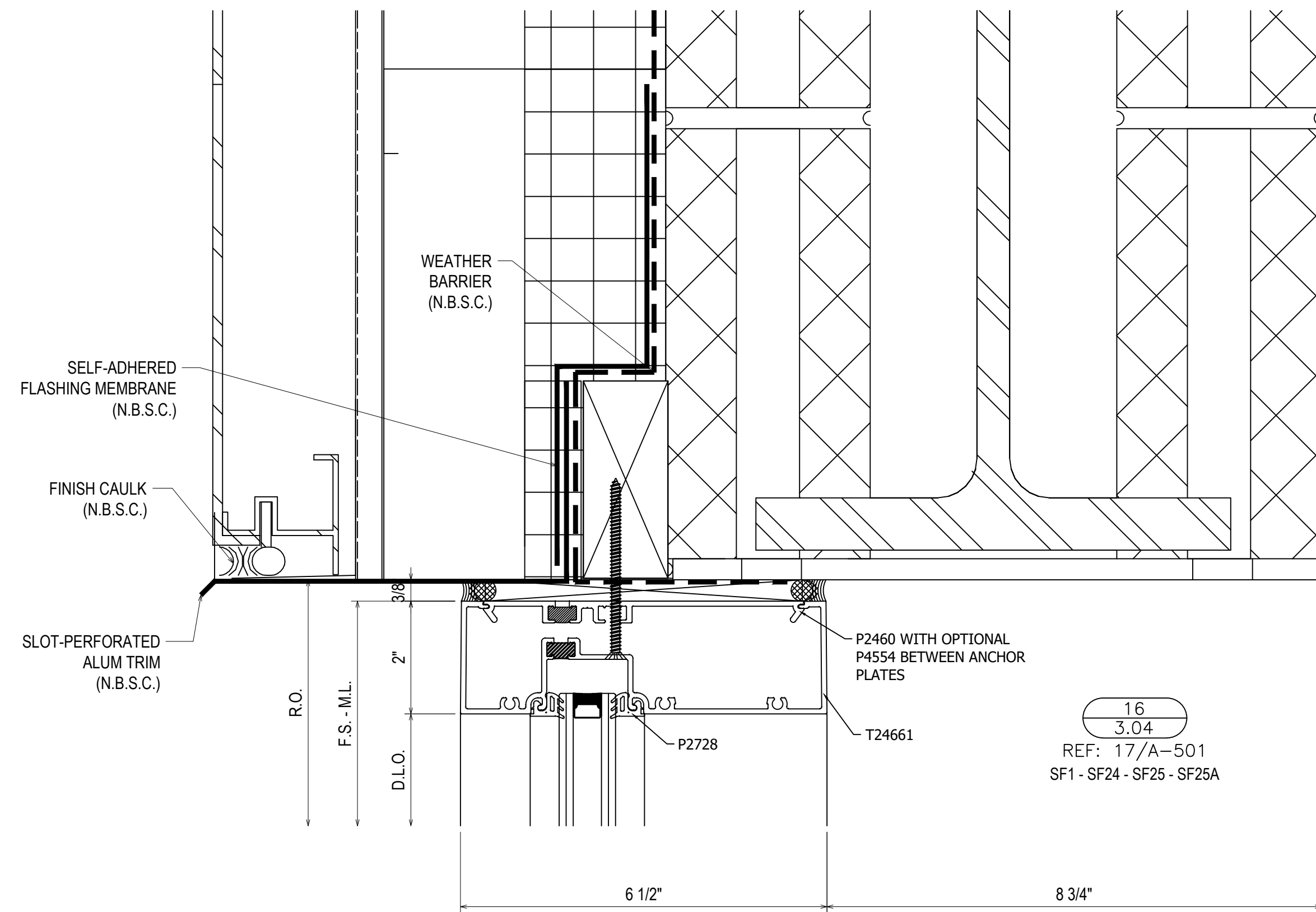
15  
3.03  
REF: N/A  
CW1 - CW2 - CW4 - CW5

NO	DESCRIPTION

**MAYFIELD HEIGHTS AQUATIC AND COMMUNITY CENTER**  
6080 MARSOL AVE.  
MAYFIELD HEIGHTS, OH 44124

SIXTH CITY GLAZING  
11941 ABBEY ROAD, UNIT E  
NORTH ROYALTON, OH 44133

DRAWN BY:	DATE:
DJ	10.3.22
CHECKED BY:	DATE:
RS	10.3.22



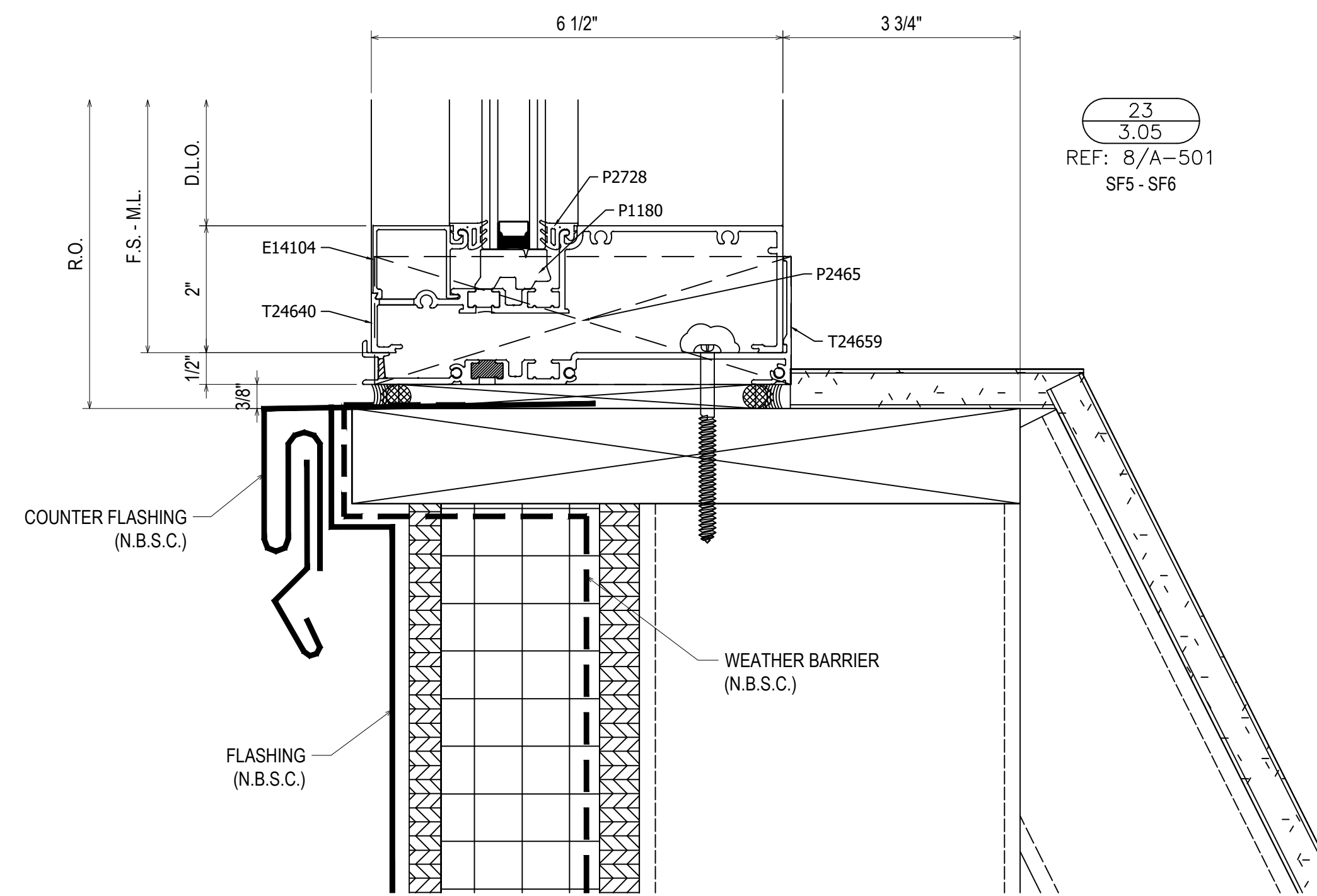
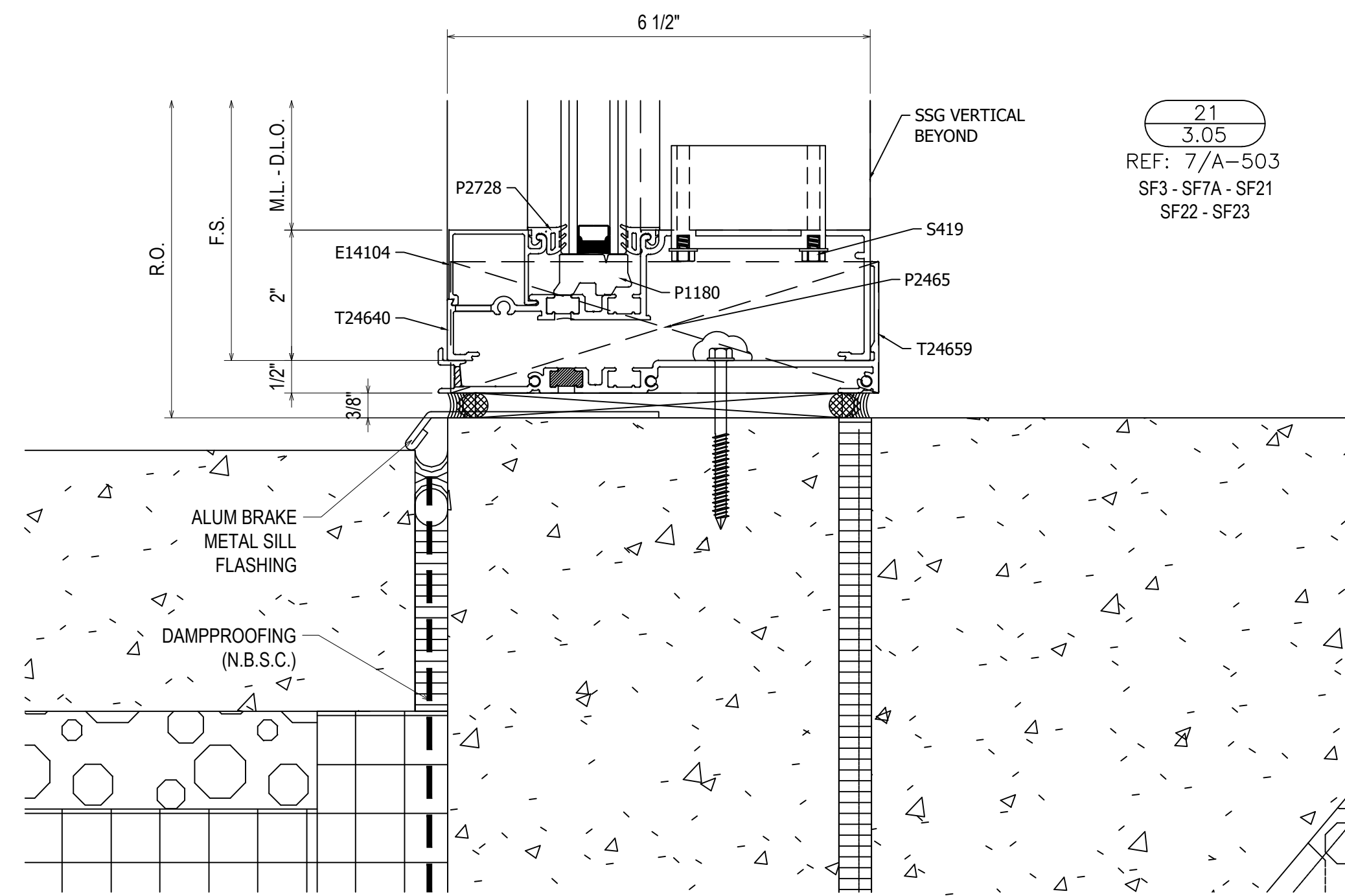
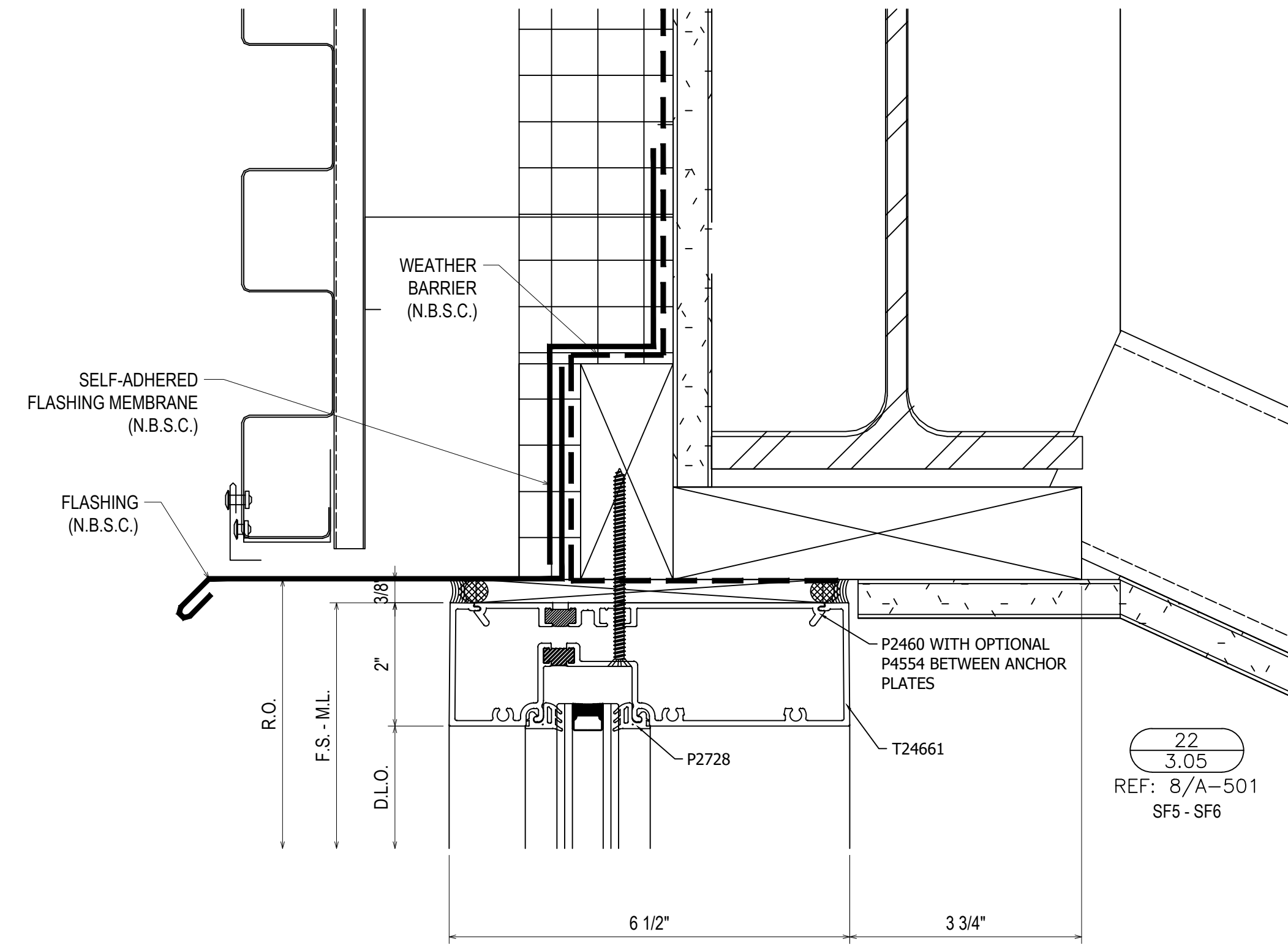
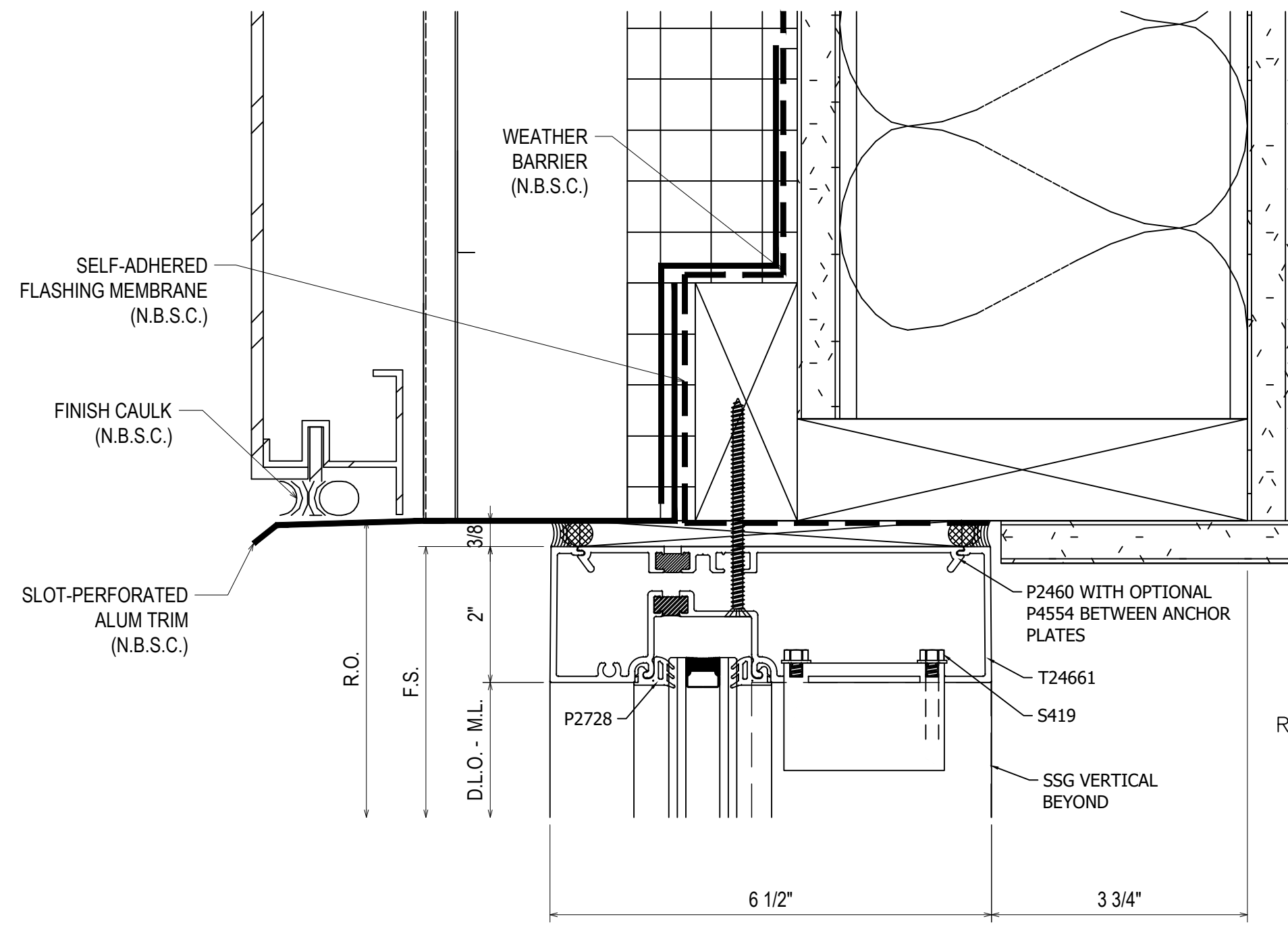
NO	DESCRIPTION

**MAYFIELD HEIGHTS AQUATIC AND COMMUNITY CENTER**  
 6080 MARSOL AVE.  
 MAYFIELD HEIGHTS, OH 44124

SIXTH CITY GLAZING  
 11941 ABBEY ROAD, UNIT E  
 NORTH ROYALTON, OH 44133

DRAWN BY:	DATE:
DJ	10.3.22
CHECKED BY:	DATE:
RS	10.3.22

**3.04**

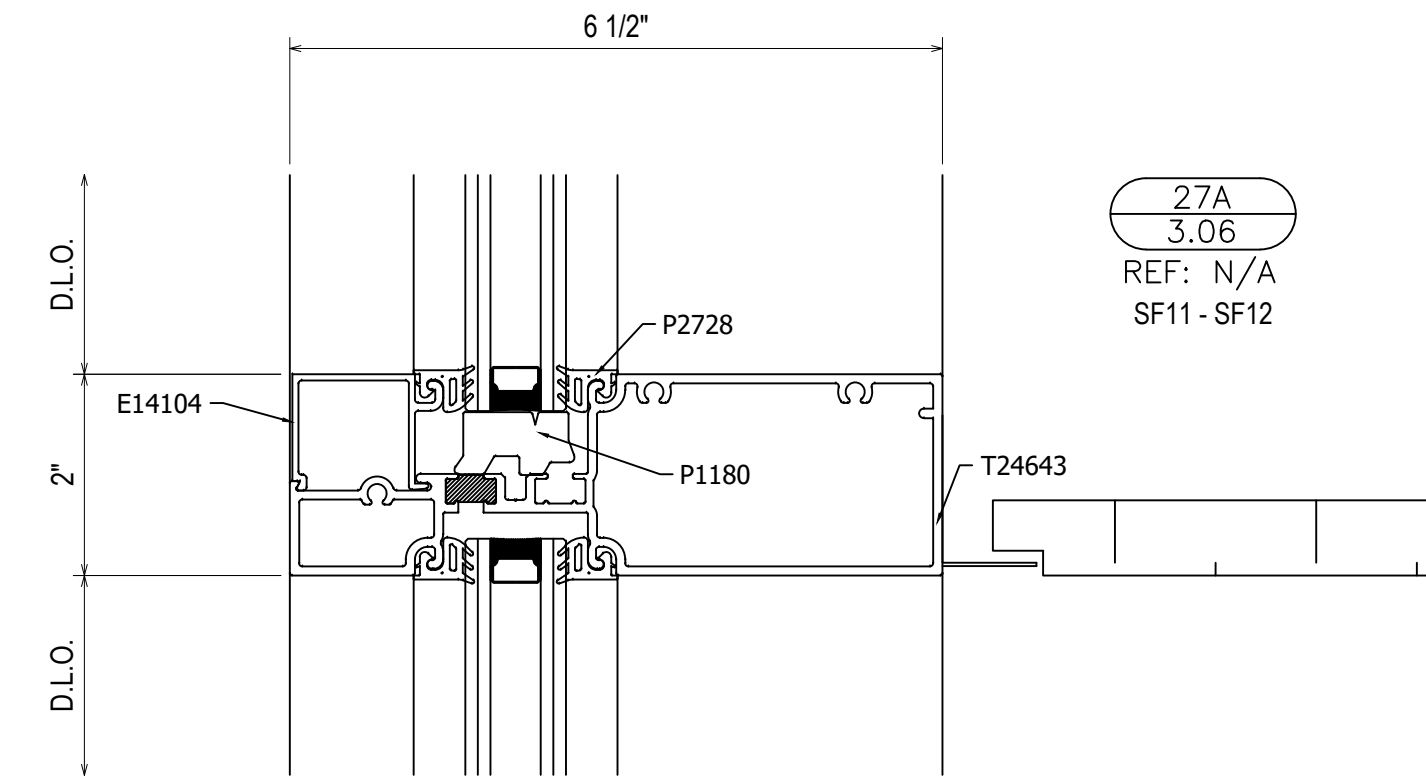
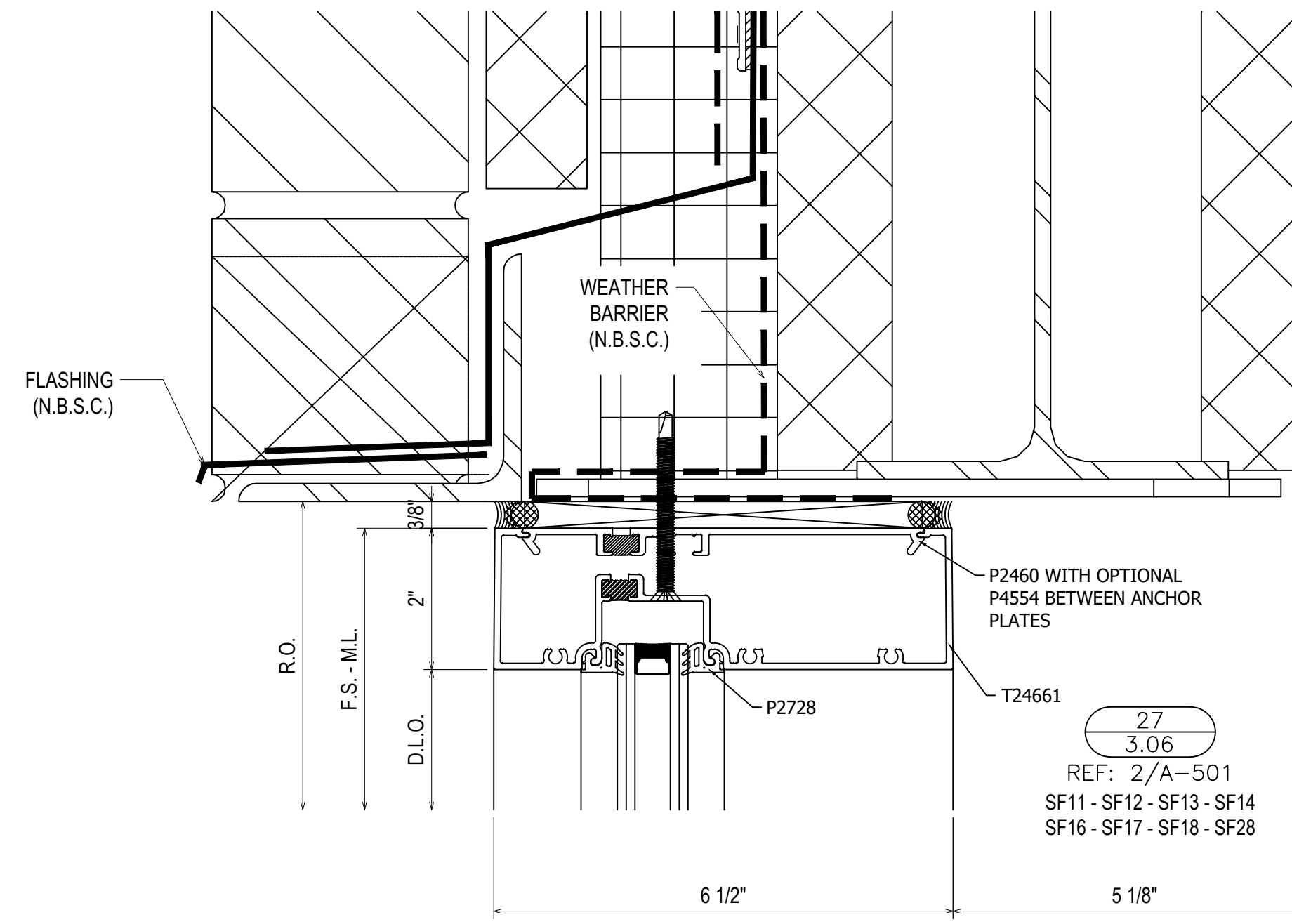
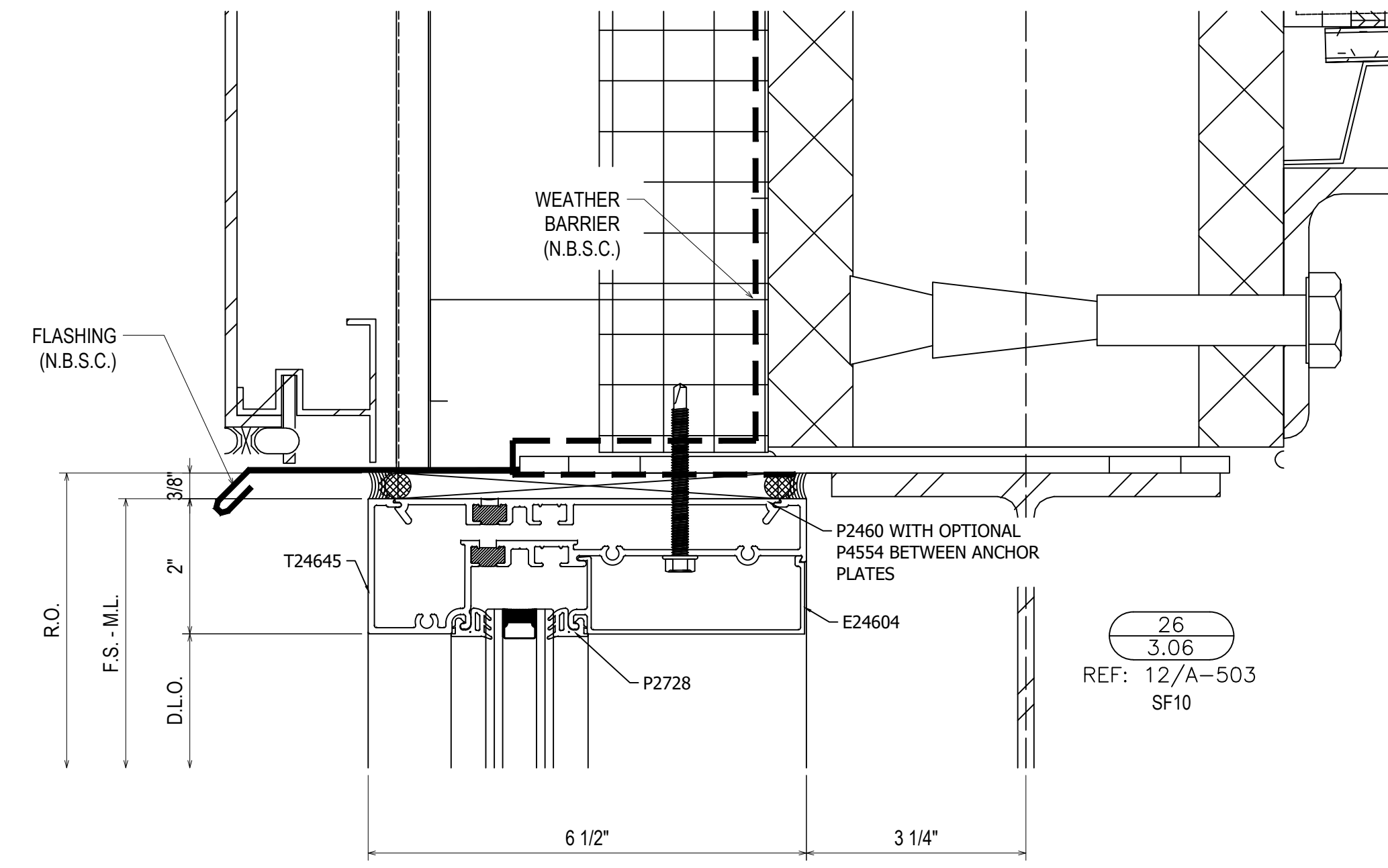
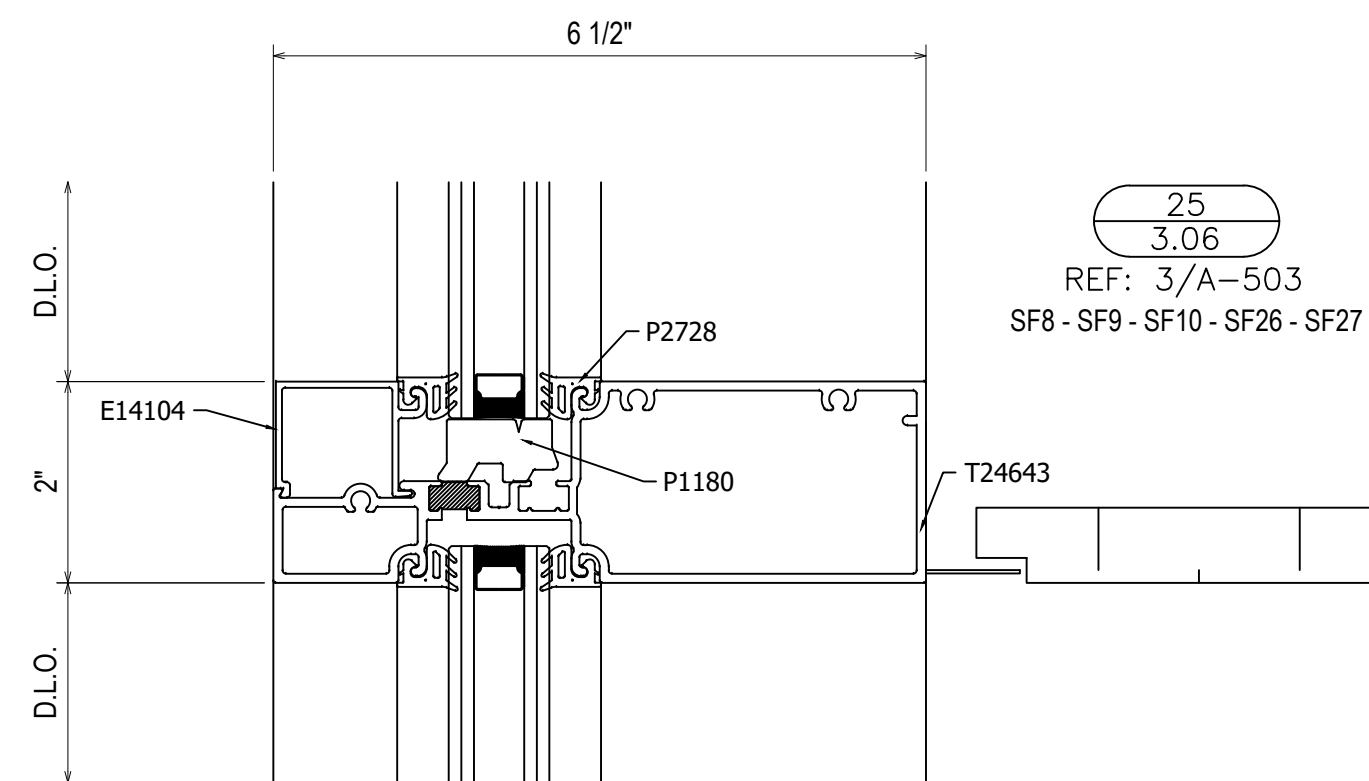
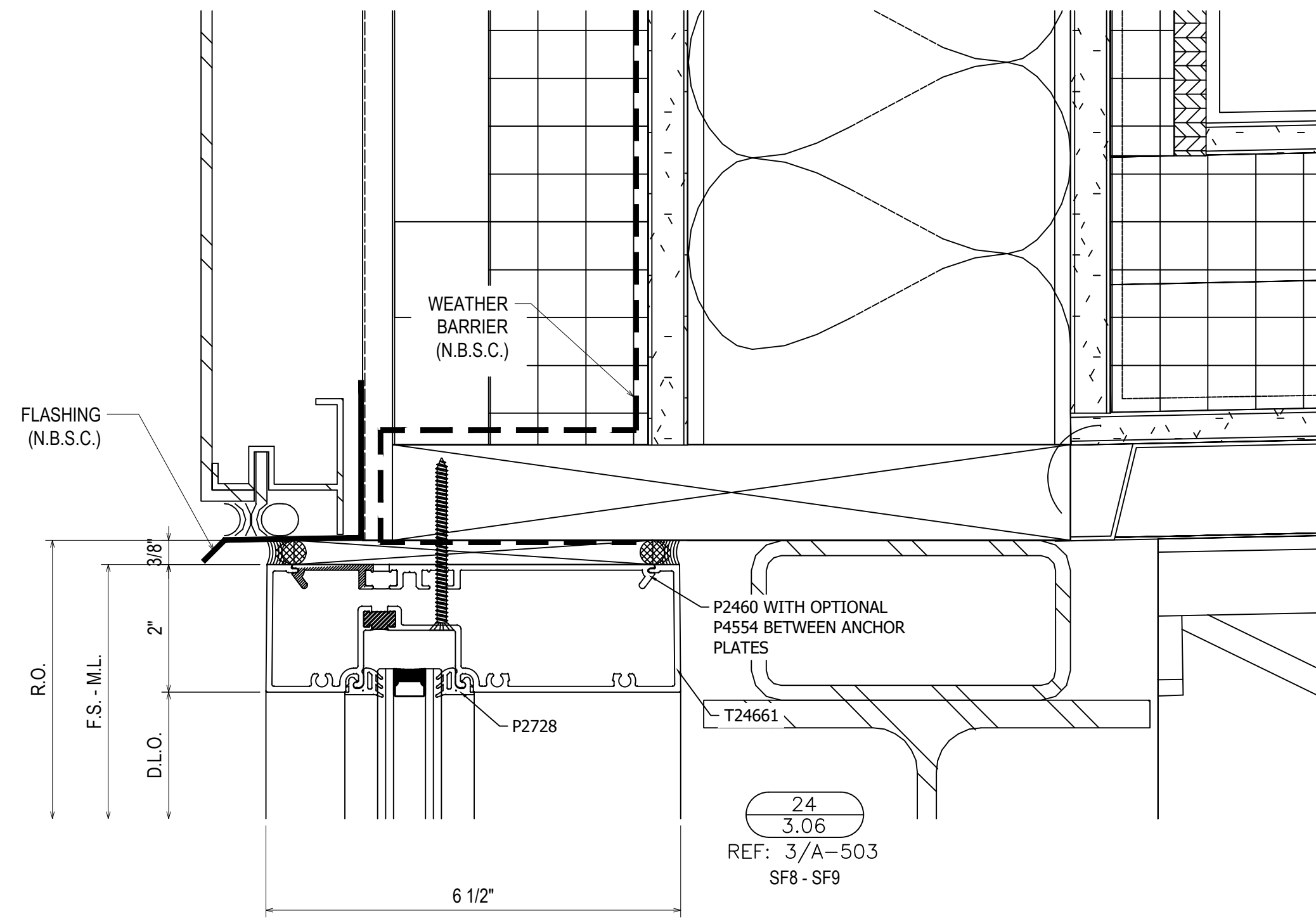


NO	DESCRIPTION
	DRAWING SUBMISSION

**MAYFIELD HEIGHTS AQUATIC AND COMMUNITY CENTER**  
 6080 MARSOL AVE.  
 MAYFIELD HEIGHTS, OH 44124

SIXTH CITY GLAZING  
 11941 ABBEY ROAD, UNIT E  
 NORTH ROYALTON, OH 44133

DRAWN BY:	DATE:
DJ	10.3.22
CHECKED BY:	DATE:
RS	10.3.22



SIXTH CITY GLAZING  
11941 ABBEY ROAD, UNIT E  
NORTH ROYALTON, OH 44133

DRAWN BY:	DJ	DATE:	10.3.22
CHECKED BY:	RS	DATE:	10.3.22

3.06

MAYFIELD HEIGHTS AQUATIC AND COMMUNITY CENTER  
6080 MARSOL AVE.  
MAYFIELD HEIGHTS, OH 44124

NO	DESCRIPTION

DRAWING SUBMISSION

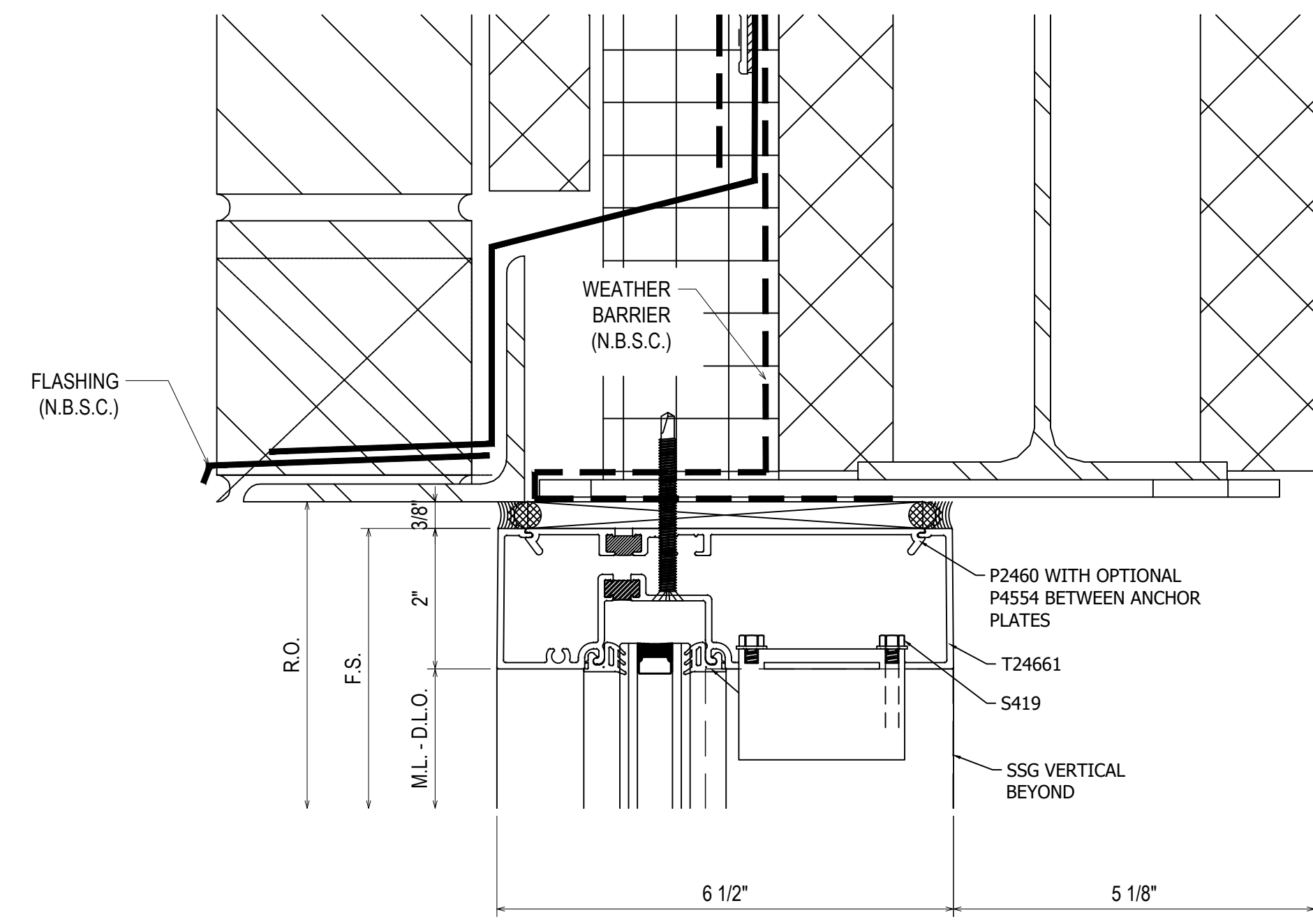
NO	DESCRIPTION
	DRAWING SUBMISSION

**MAYFIELD HEIGHTS AQUATIC AND COMMUNITY CENTER**  
 6080 MARSOL AVE.  
 MAYFIELD HEIGHTS, OH 44124

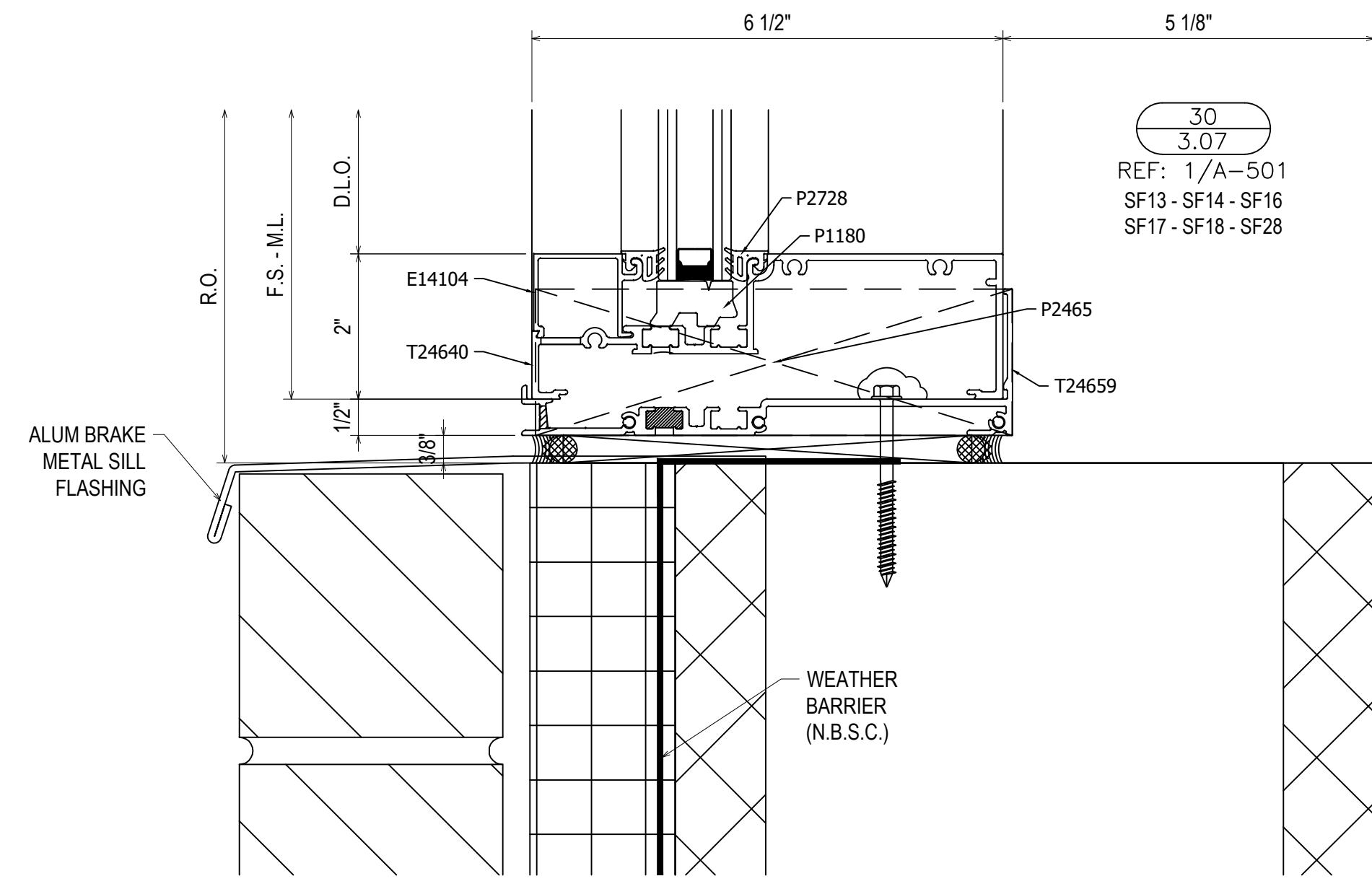
SIXTH CITY GLAZING  
 11941 ABBEY ROAD, UNIT E  
 NORTH ROYALTON, OH 44133

DRAWN BY:	DATE:
DJ	10.3.22
CHECKED BY:	DATE:
RS	10.3.22

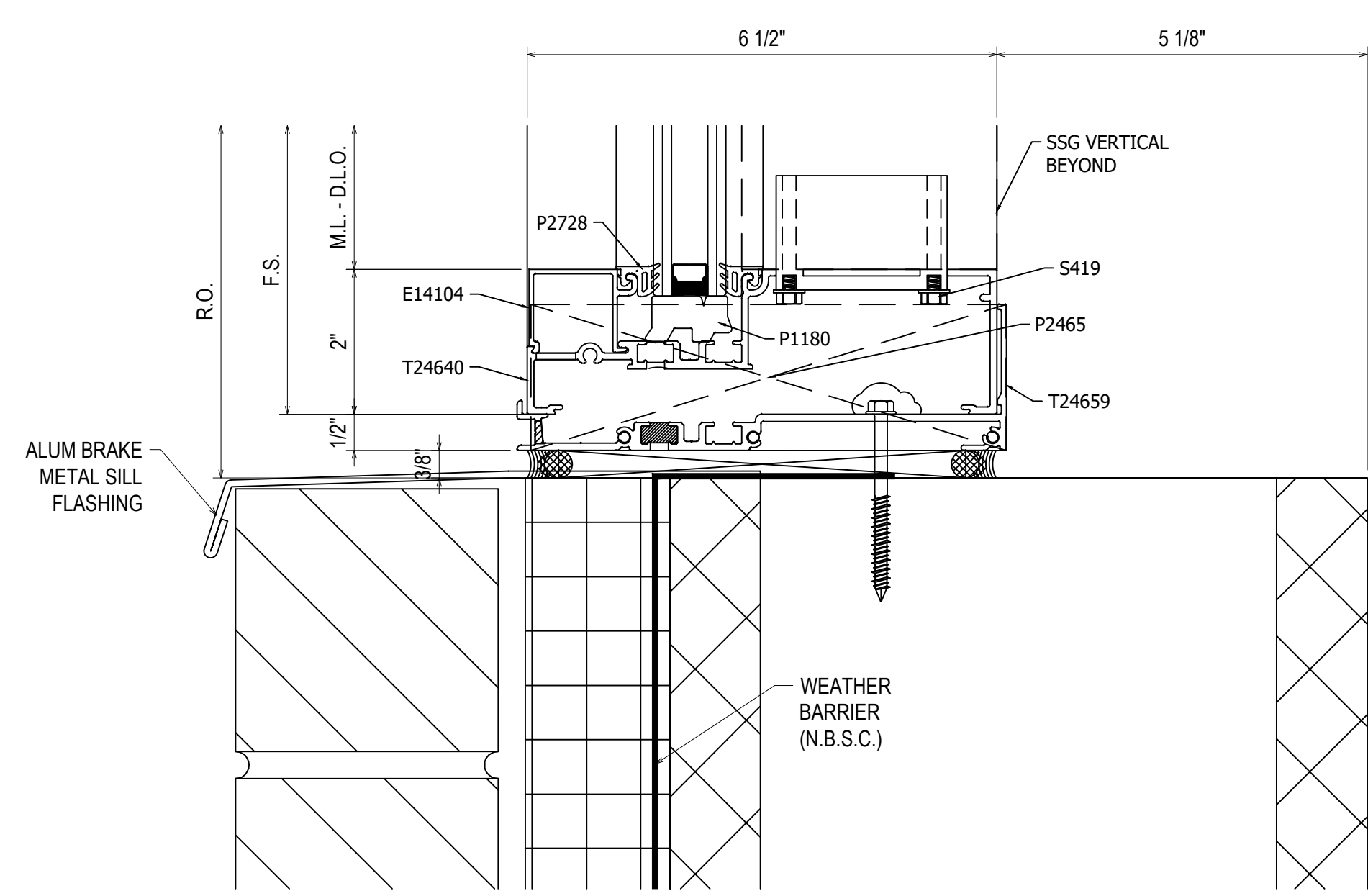
**3.07**



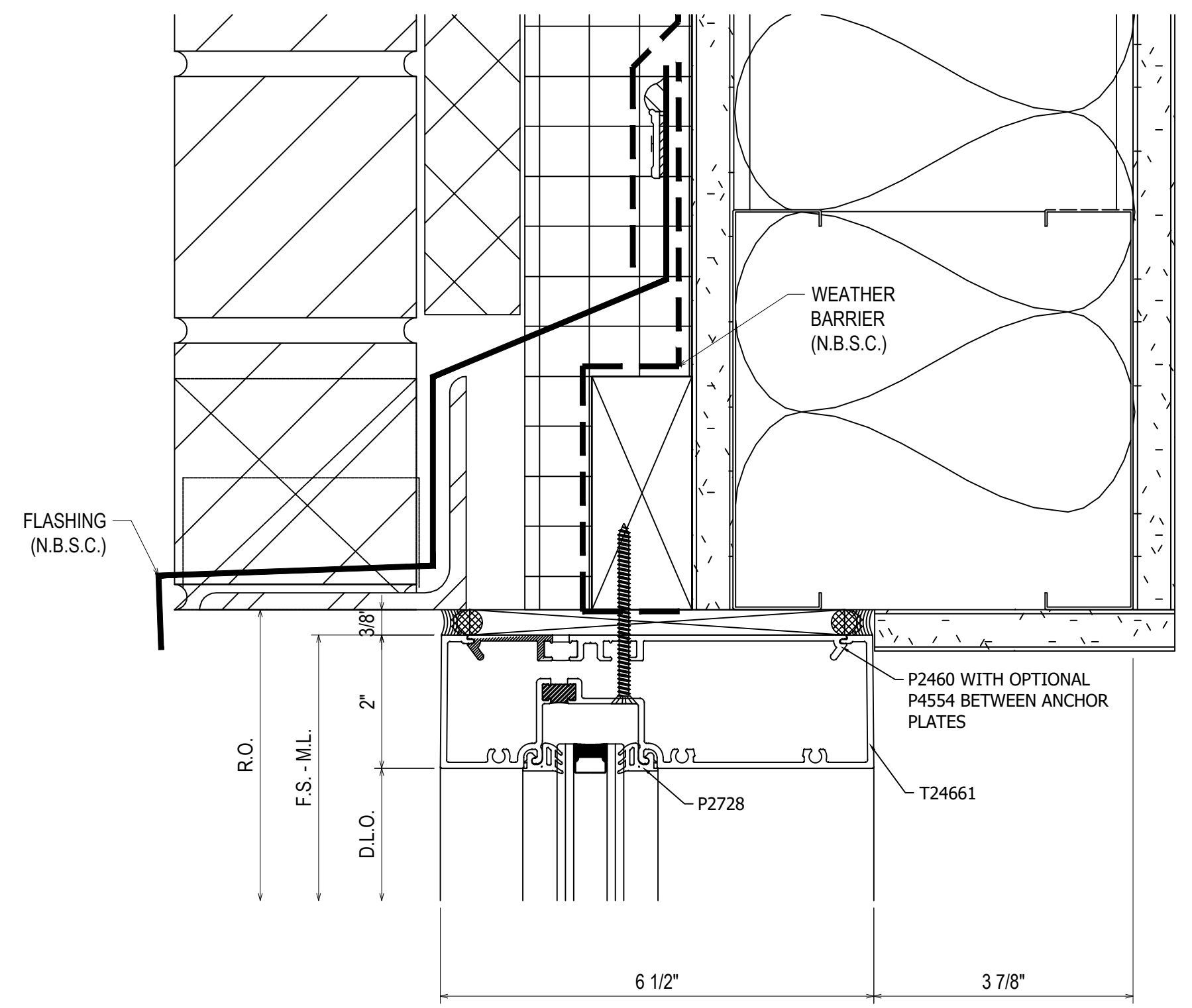
28  
 3.07  
 REF: 2/A-501  
 SF15



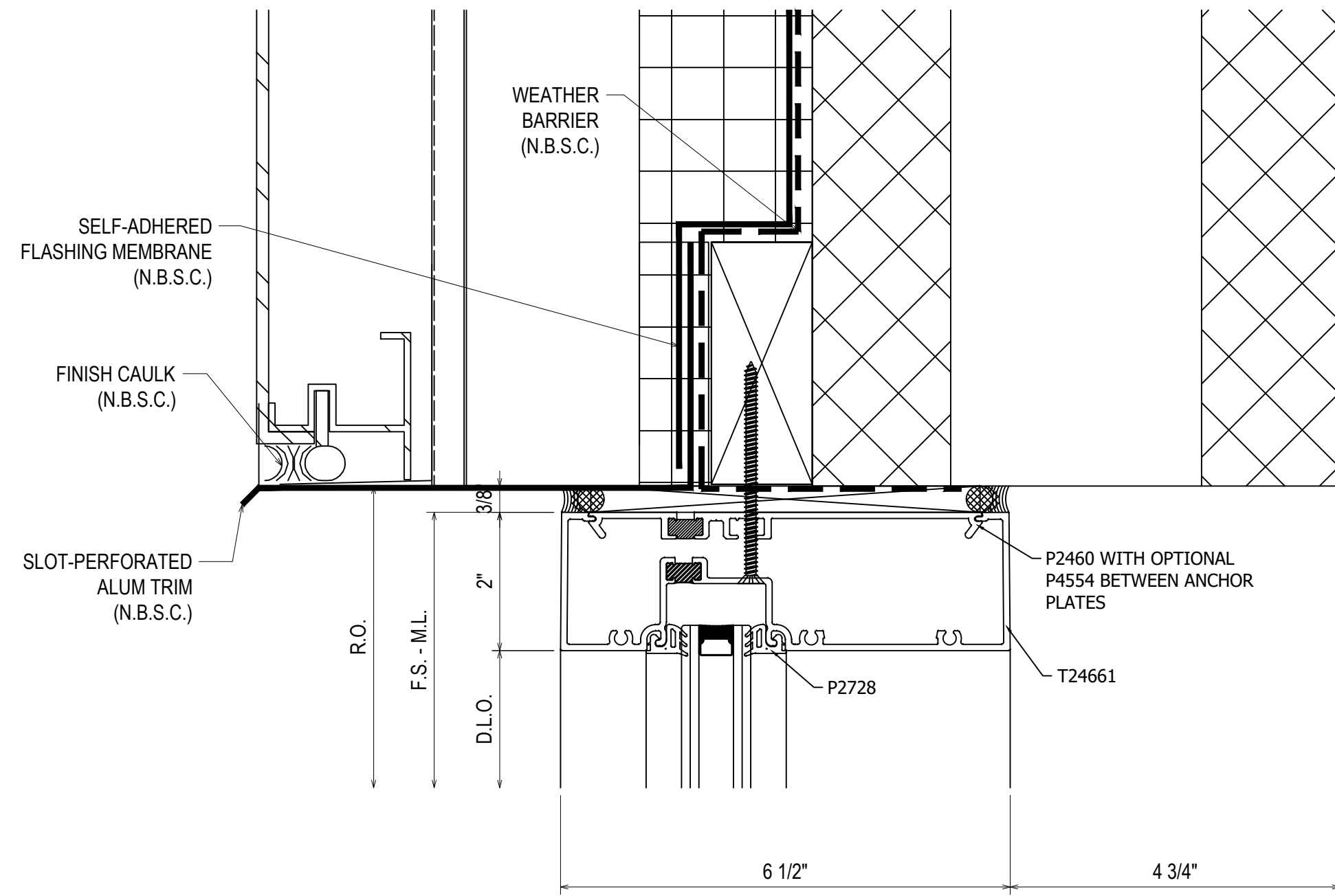
30  
 3.07  
 REF: 1/A-501  
 SF13 - SF14 - SF16  
 SF17 - SF18 - SF28



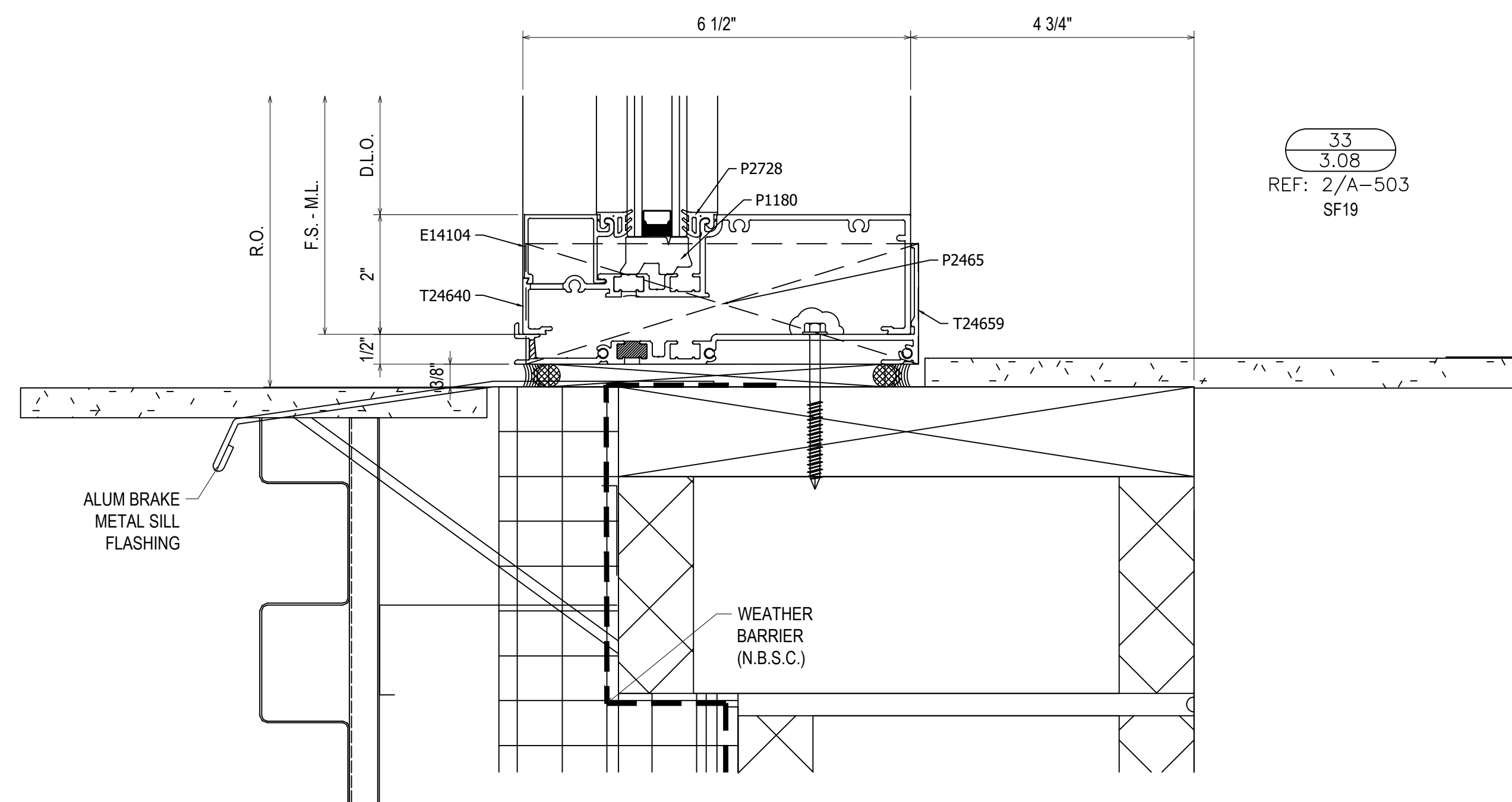
29  
 3.07  
 REF: 1/A-501  
 SF15



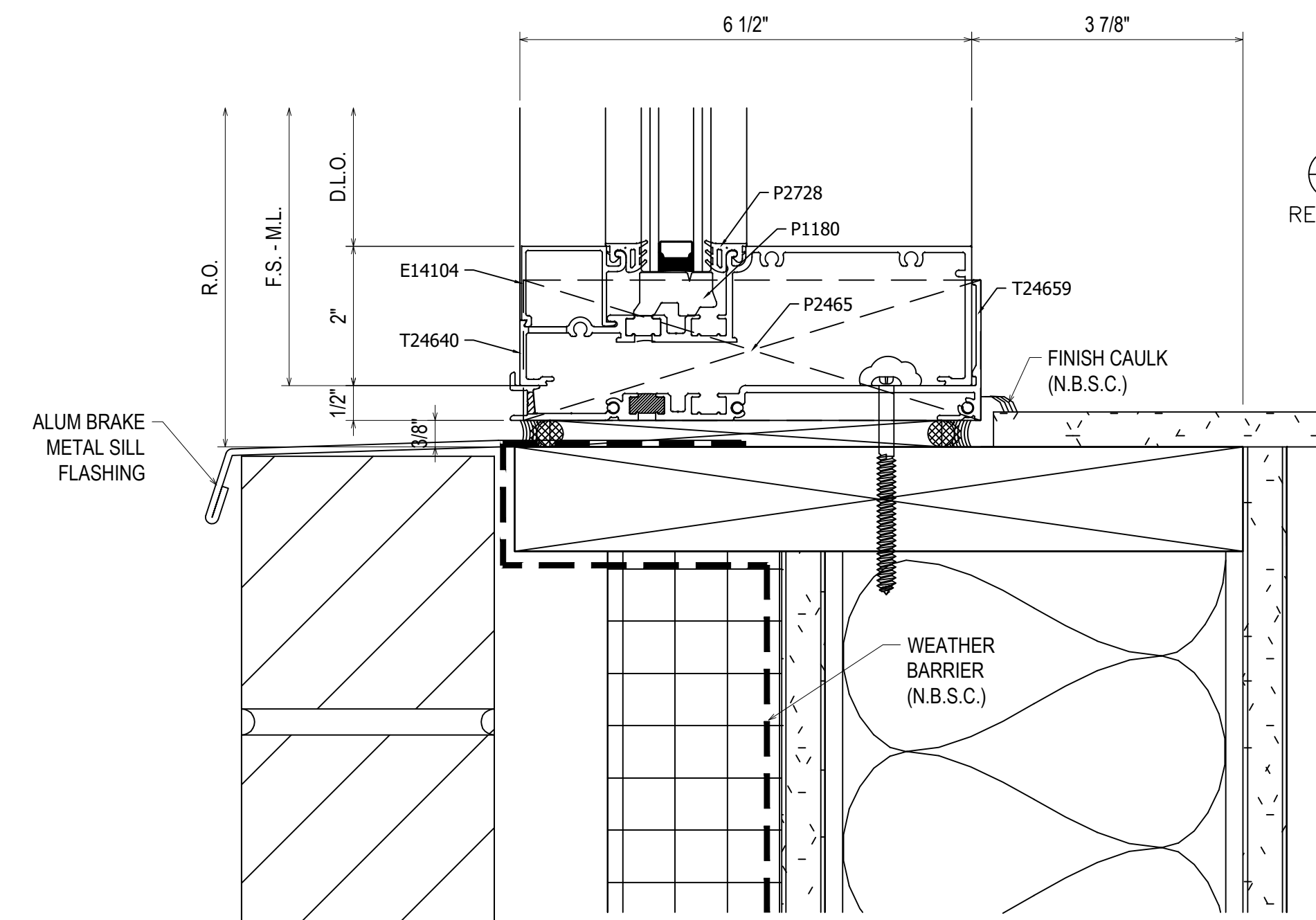
31  
 3.07  
 REF: 6/A-503  
 SF20



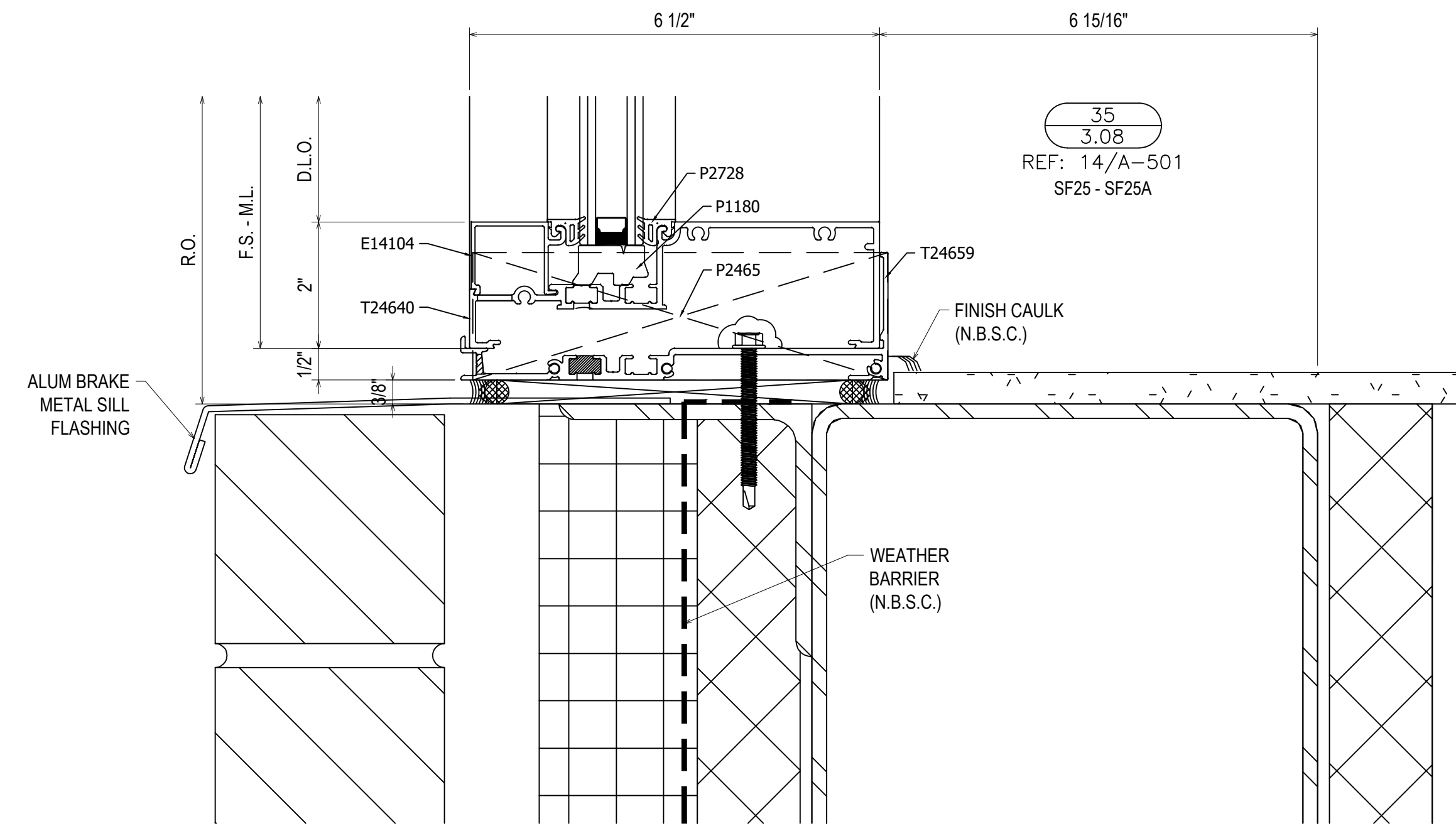
32  
3.08  
REF: 17/A-501 SIM.  
SF19



33  
3.08  
REF: 2/A-503  
SF19



34  
3.08  
REF: 5/A-503  
SF20



35  
3.08  
REF: 14/A-501  
SF25-SF25A

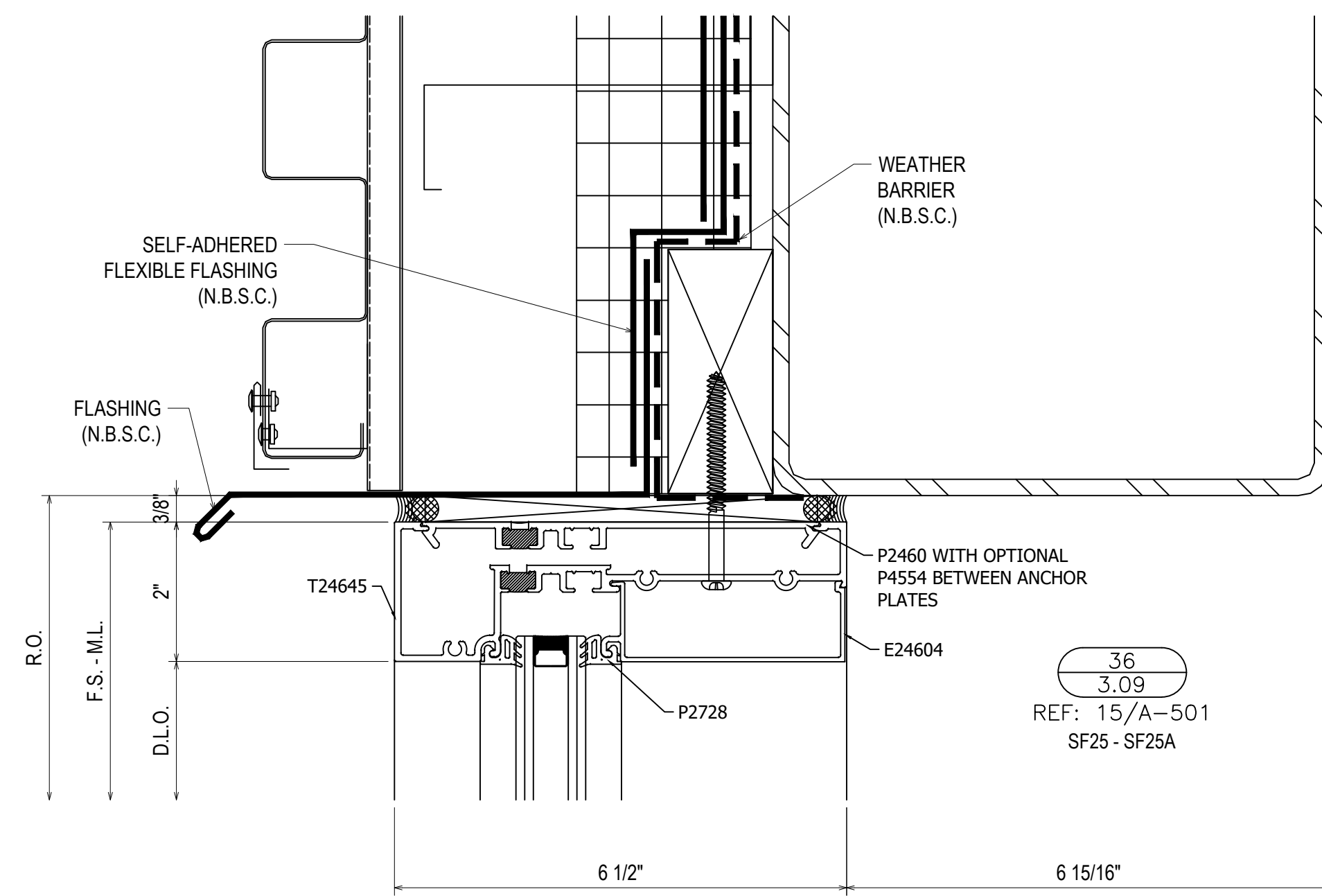
SIXTH CITY GLAZING  
11941 ABBEY ROAD, UNIT E  
NORTH ROYALTON, OH 44133

DRAWN BY: DJ DATE: 10.3.22  
CHECKED BY: RS DATE: 10.3.22

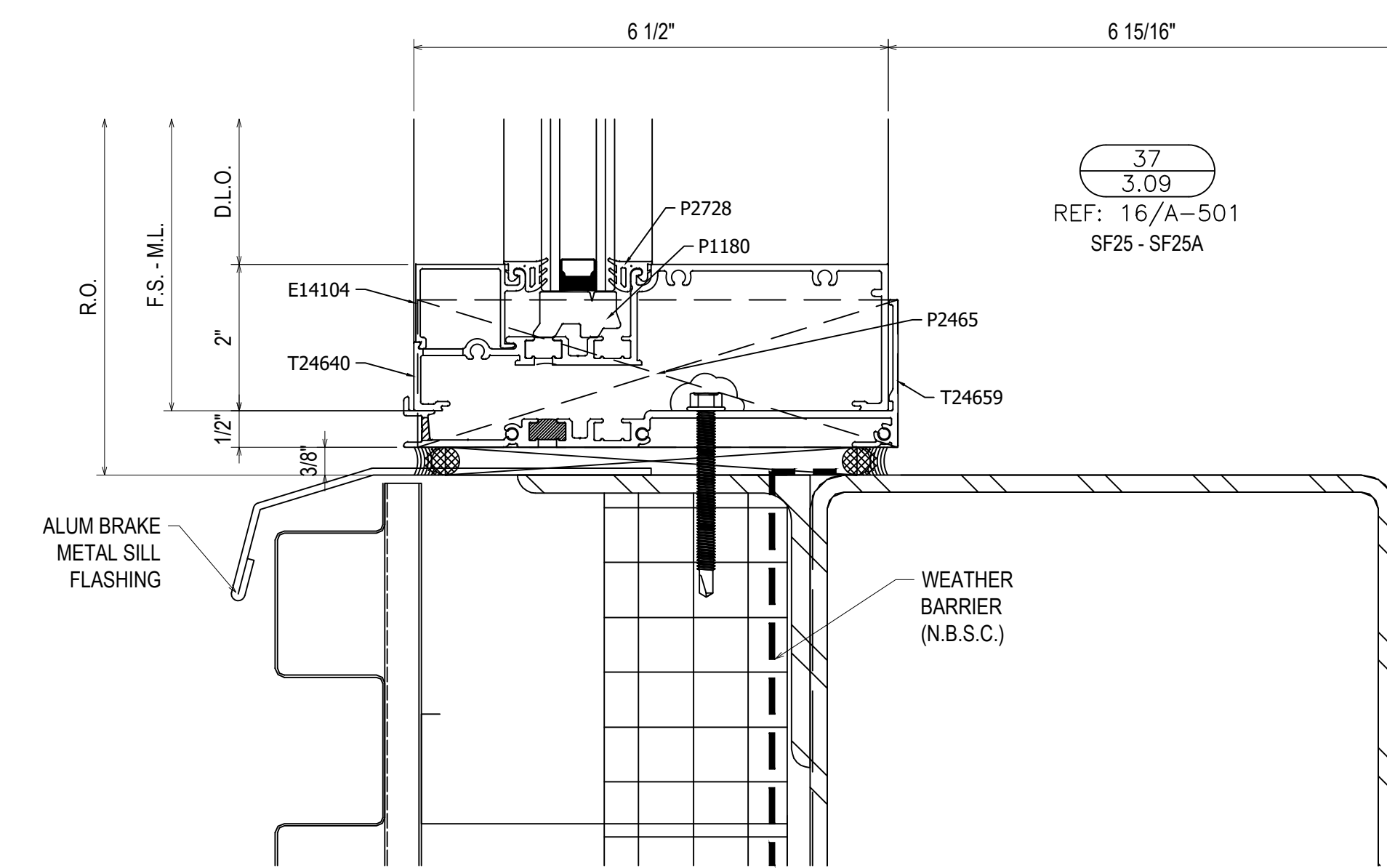
3.08

MAYFIELD HEIGHTS AQUATIC AND COMMUNITY CENTER  
6080 MARSOLA AVE.  
MAYFIELD HEIGHTS, OH 44124

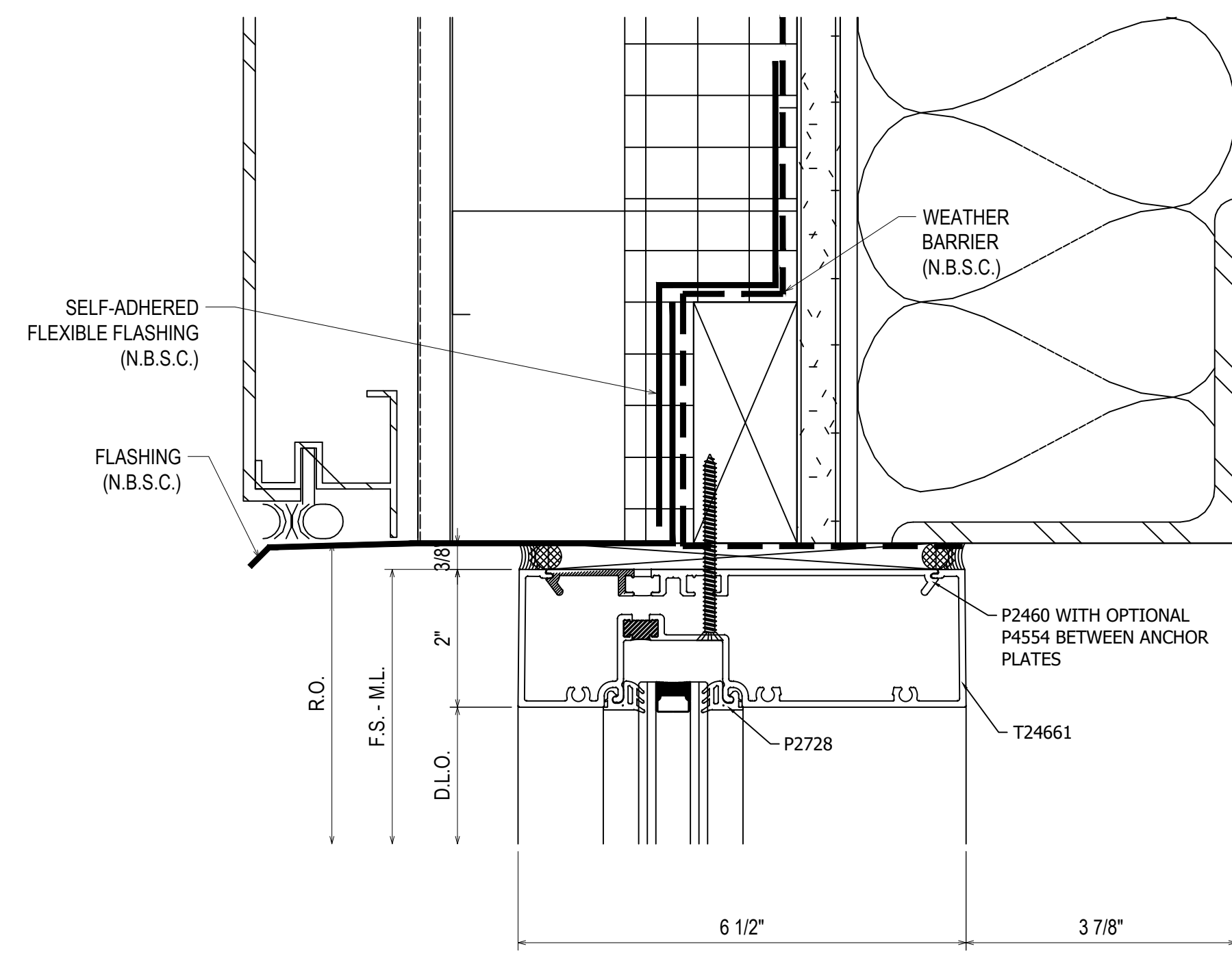
DESCRIPTION  
NO  
DRAWING SUBMISSION



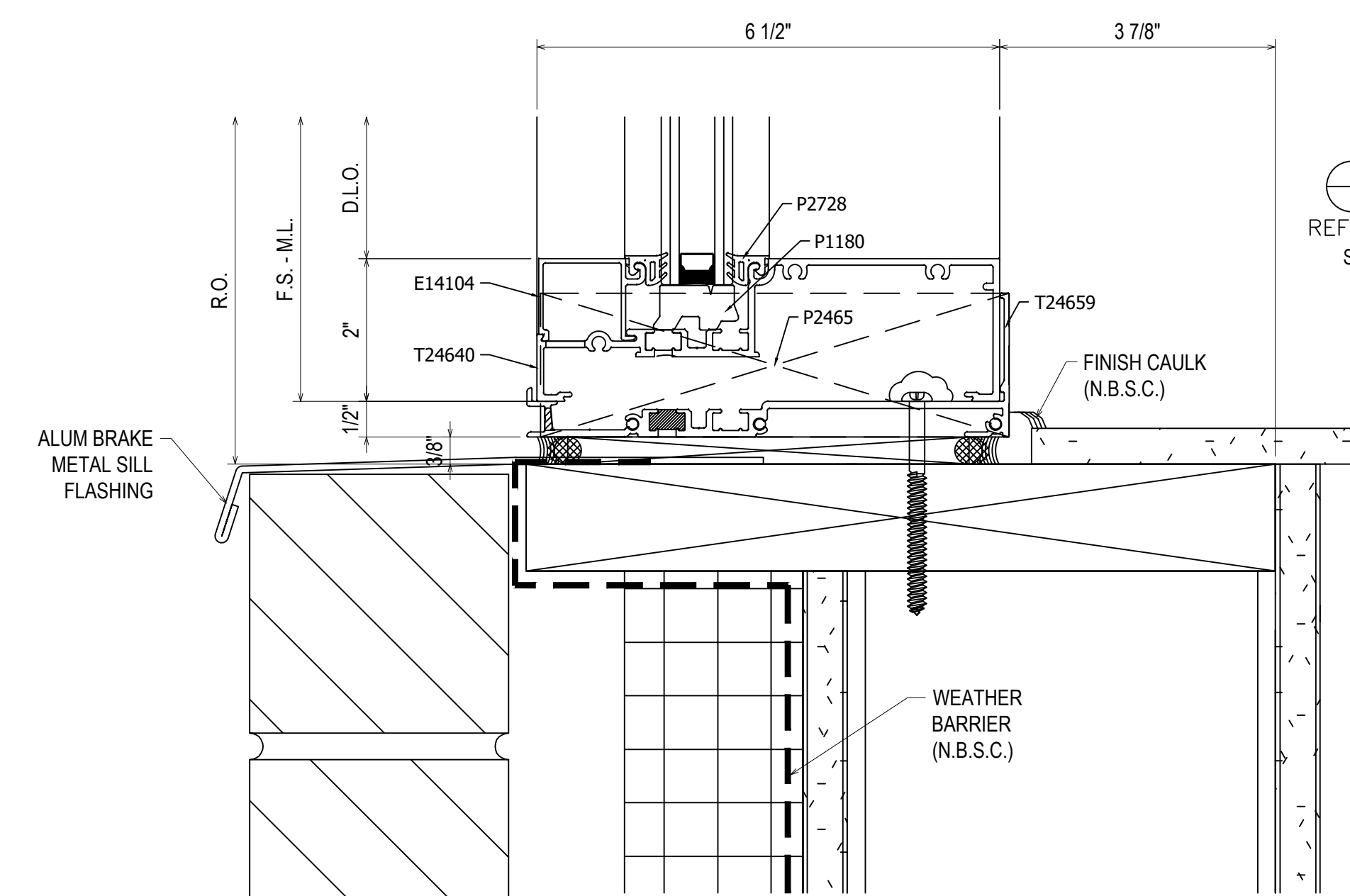
36  
3.09  
REF: 15/A-501  
SF25 - SF25A



37  
3.09  
REF: 16/A-501  
SF25 - SF25A



38  
3.09  
REF: 3/A-502  
SF26 - SF27



39  
3.09  
REF: 7/A-501  
SF26 - SF27

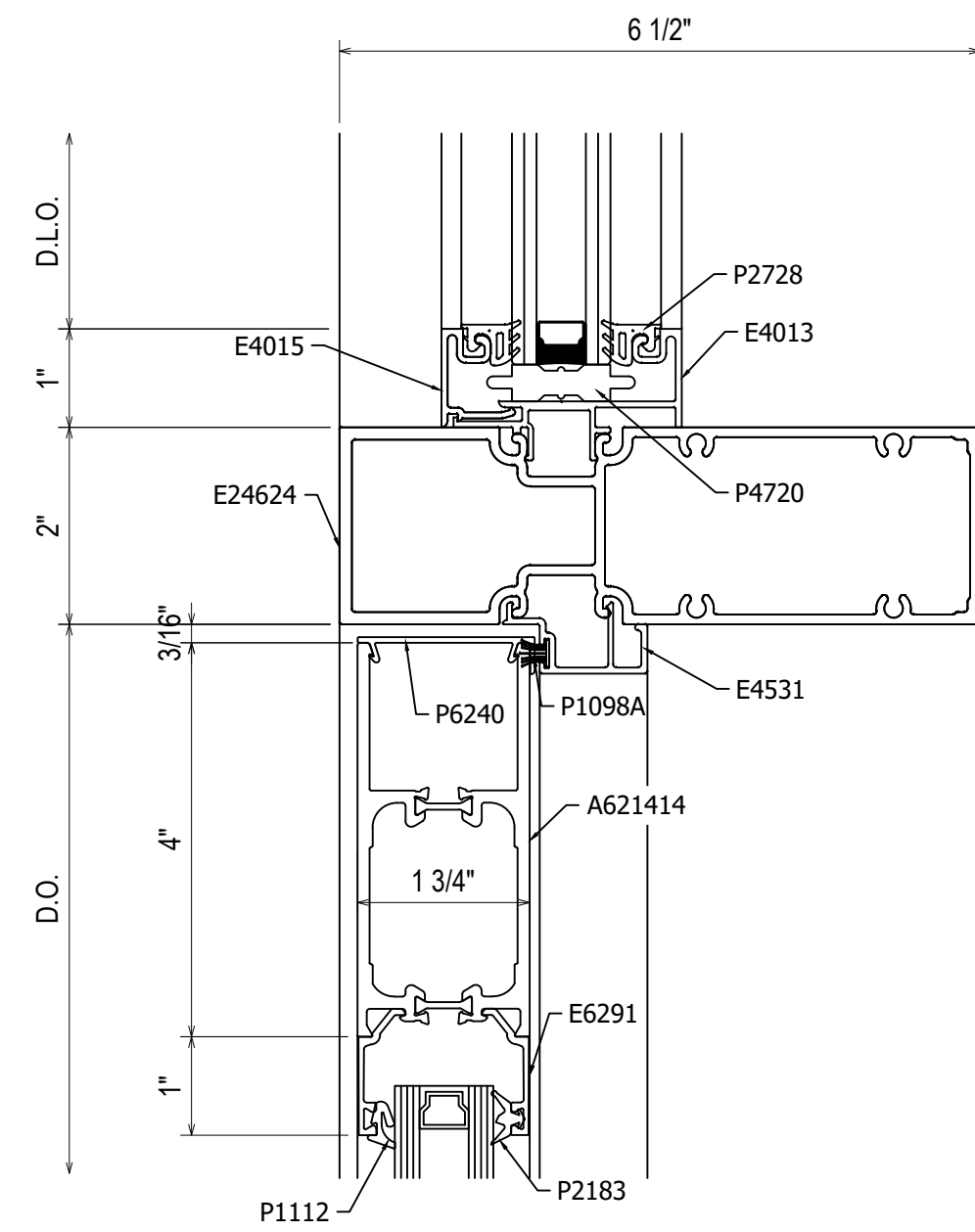
NO	DESCRIPTION
	DRAWING SUBMISSION

**MAYFIELD HEIGHTS AQUATIC AND COMMUNITY CENTER**  
 6080 MARSOL AVE.  
 MAYFIELD HEIGHTS, OH 44124

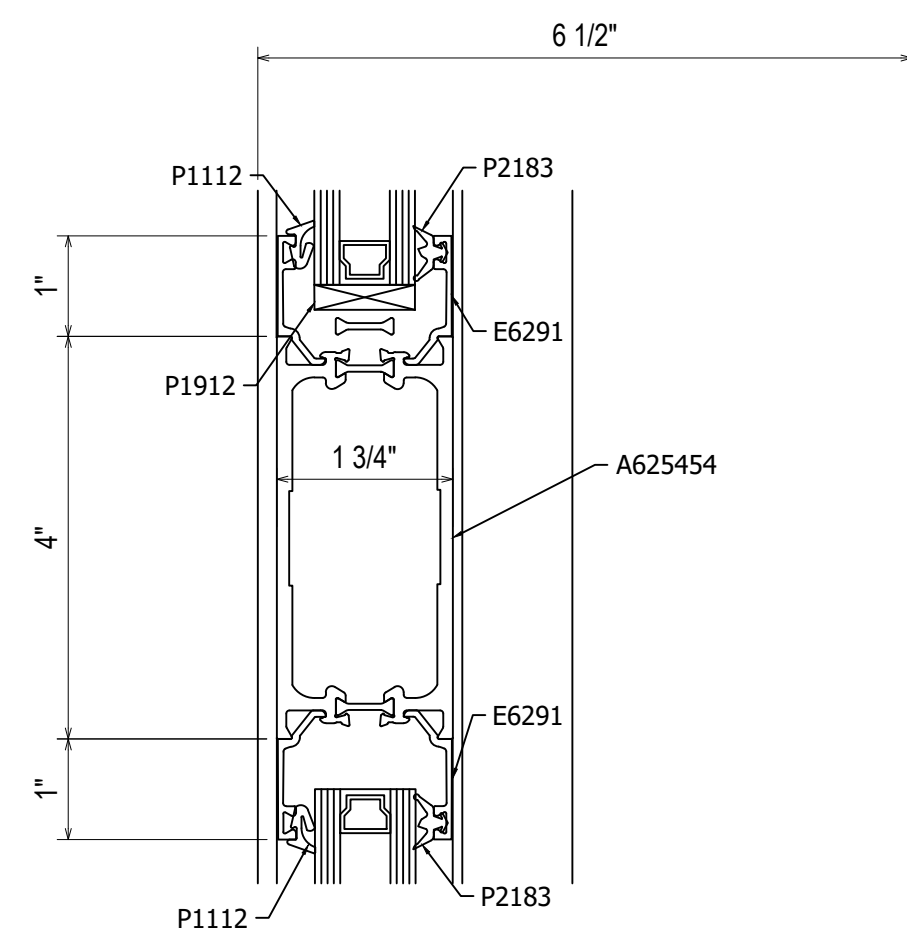
SIXTH CITY GLAZING  
 11941 ABBEY ROAD, UNIT E  
 NORTH ROYALTON, OH 44133

DRAWN BY:	DATE:
DJ	10.3.22
CHECKED BY:	DATE:
RS	10.3.22

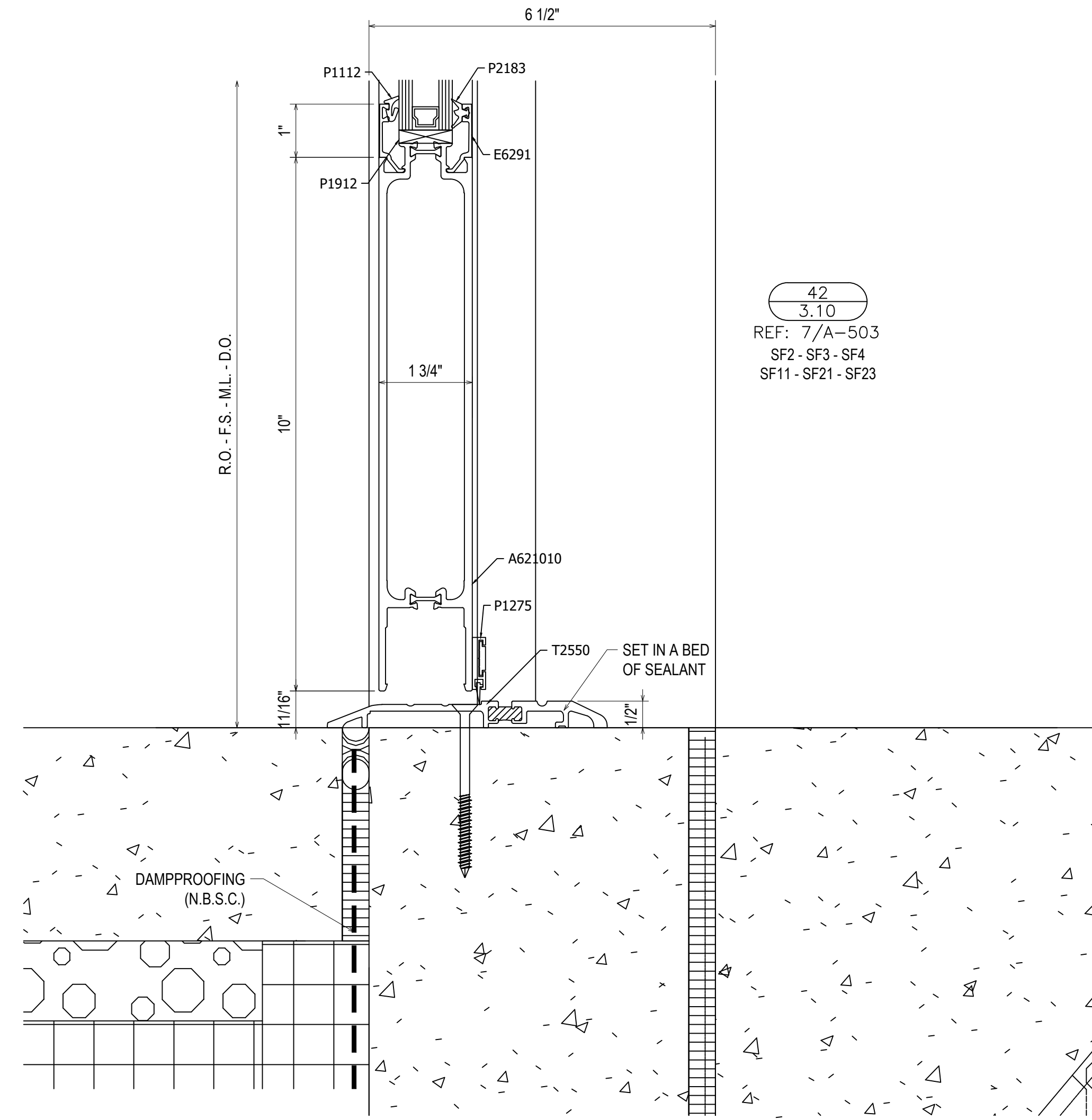




40  
3.10  
REF: N/A  
SF2 - SF3 - SF4  
SF11 - SF21 - SF23



41  
3.10  
REF: N/A  
SF3 - SF23



42  
3.10  
REF: 7/A-50.3  
SF2 - SF3 - SF4  
SF11 - SF21 - SF23

SIXTH CITY GLAZING  
11941 ABBEY ROAD, UNIT E  
NORTH ROYALTON, OH 44133

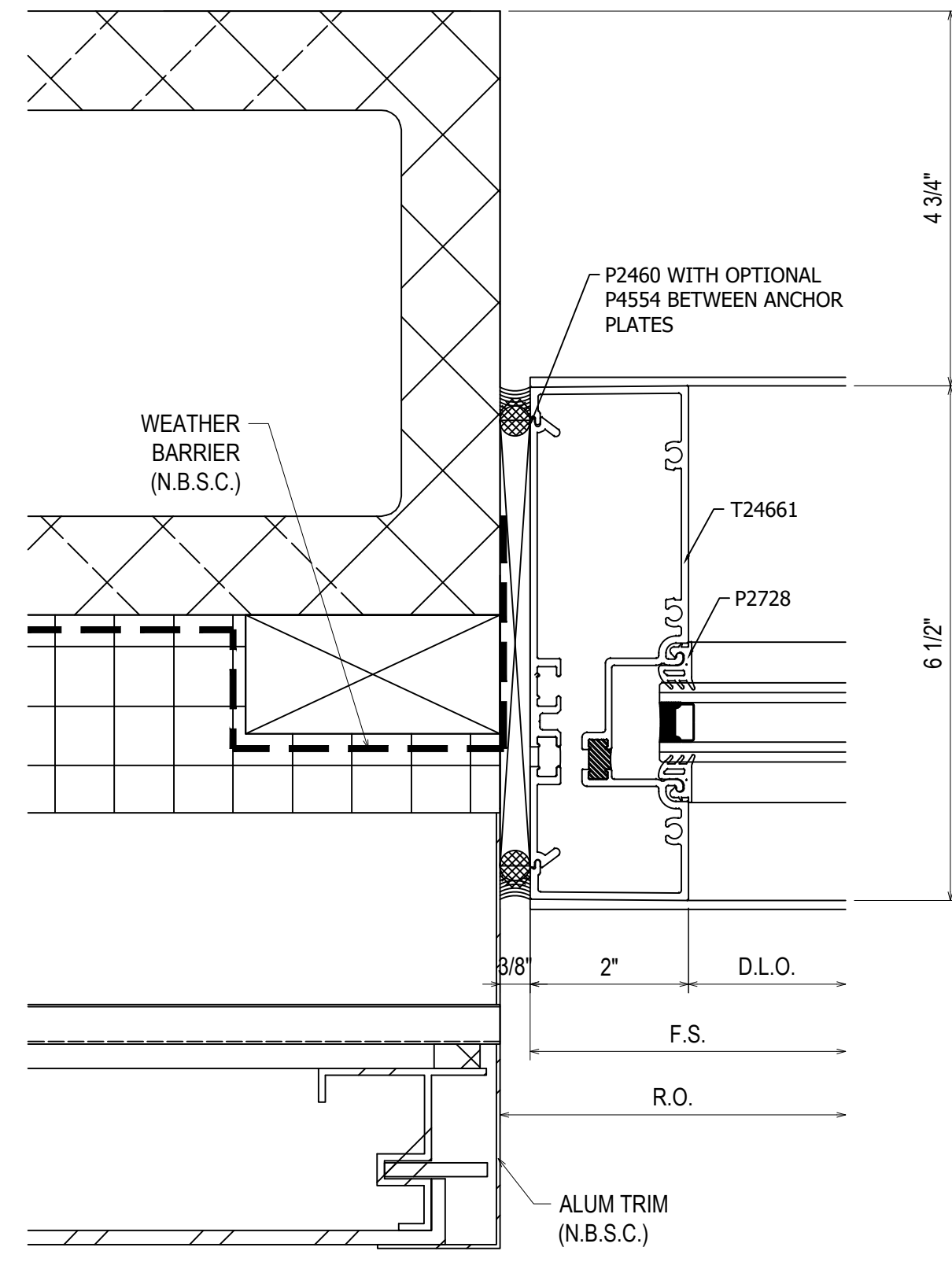
MAYFIELD HEIGHTS AQUATIC AND COMMUNITY CENTER  
6080 MARSOL AVE.  
MAYFIELD HEIGHTS, OH 44124

DRAWN BY:	DATE:
DJ	10.3.22
CHECKED BY:	DATE:
RS	10.3.22

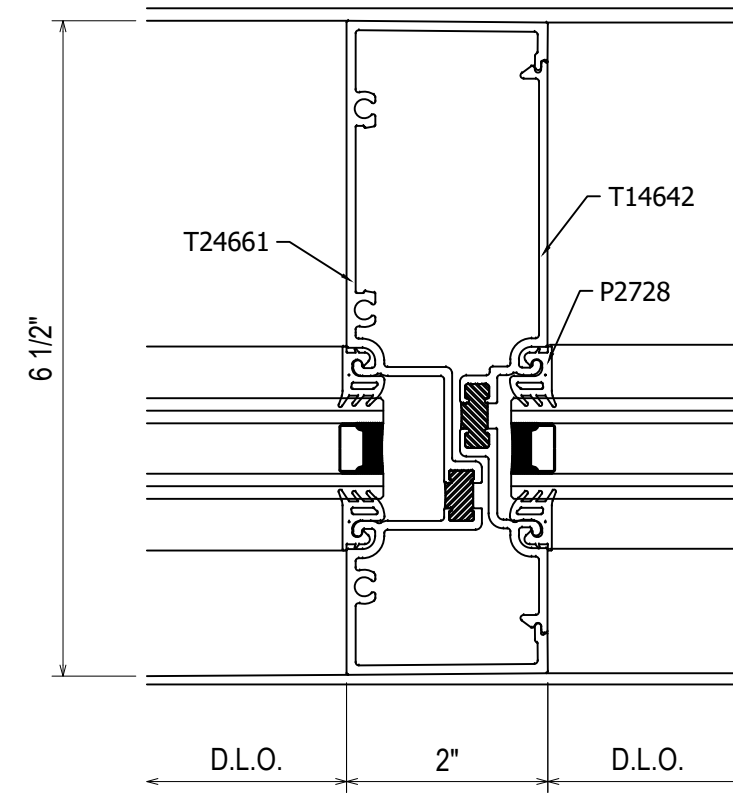
3.10

DESCRIPTION  
DRAWING SUBMISSION

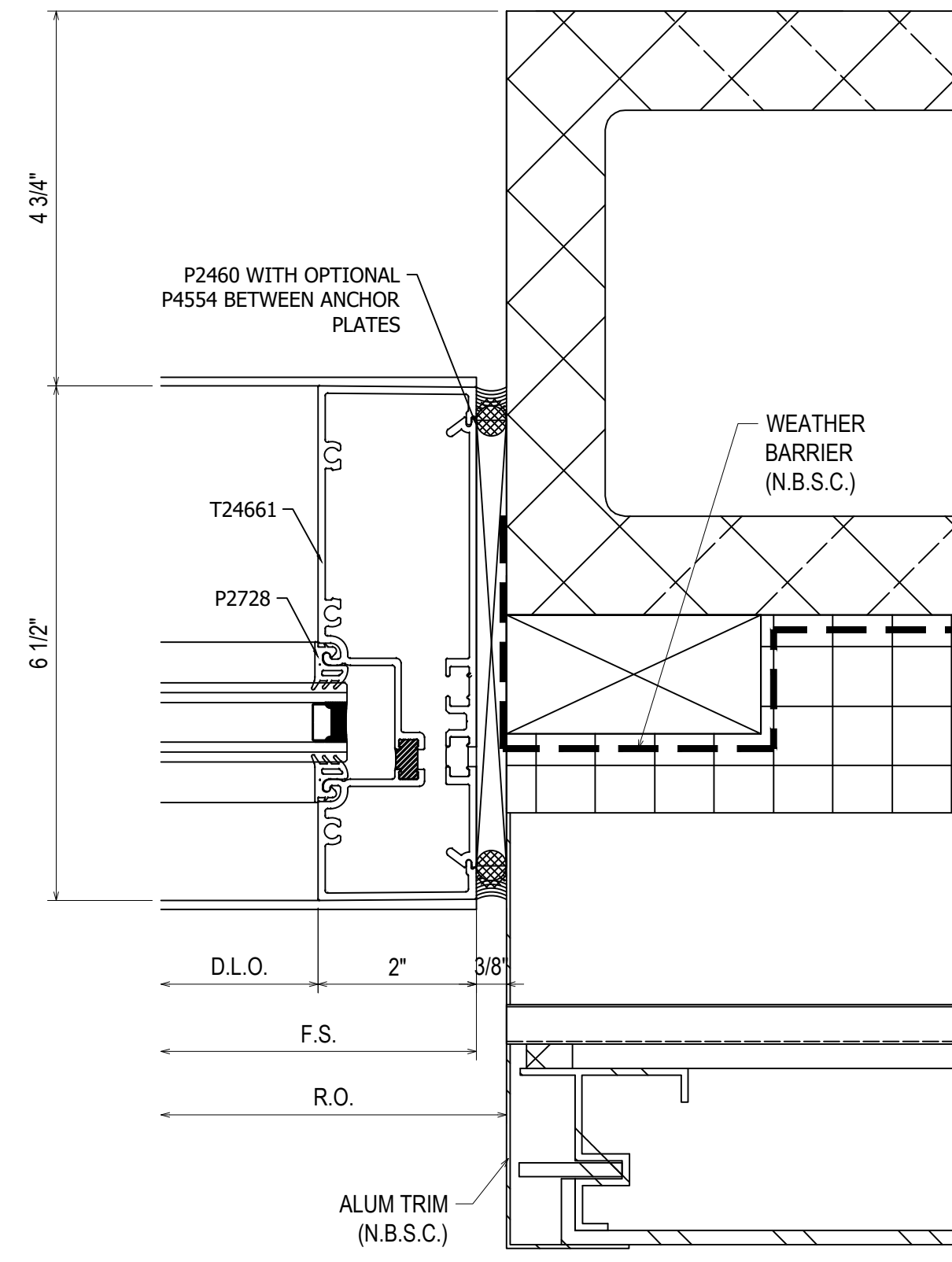
NO



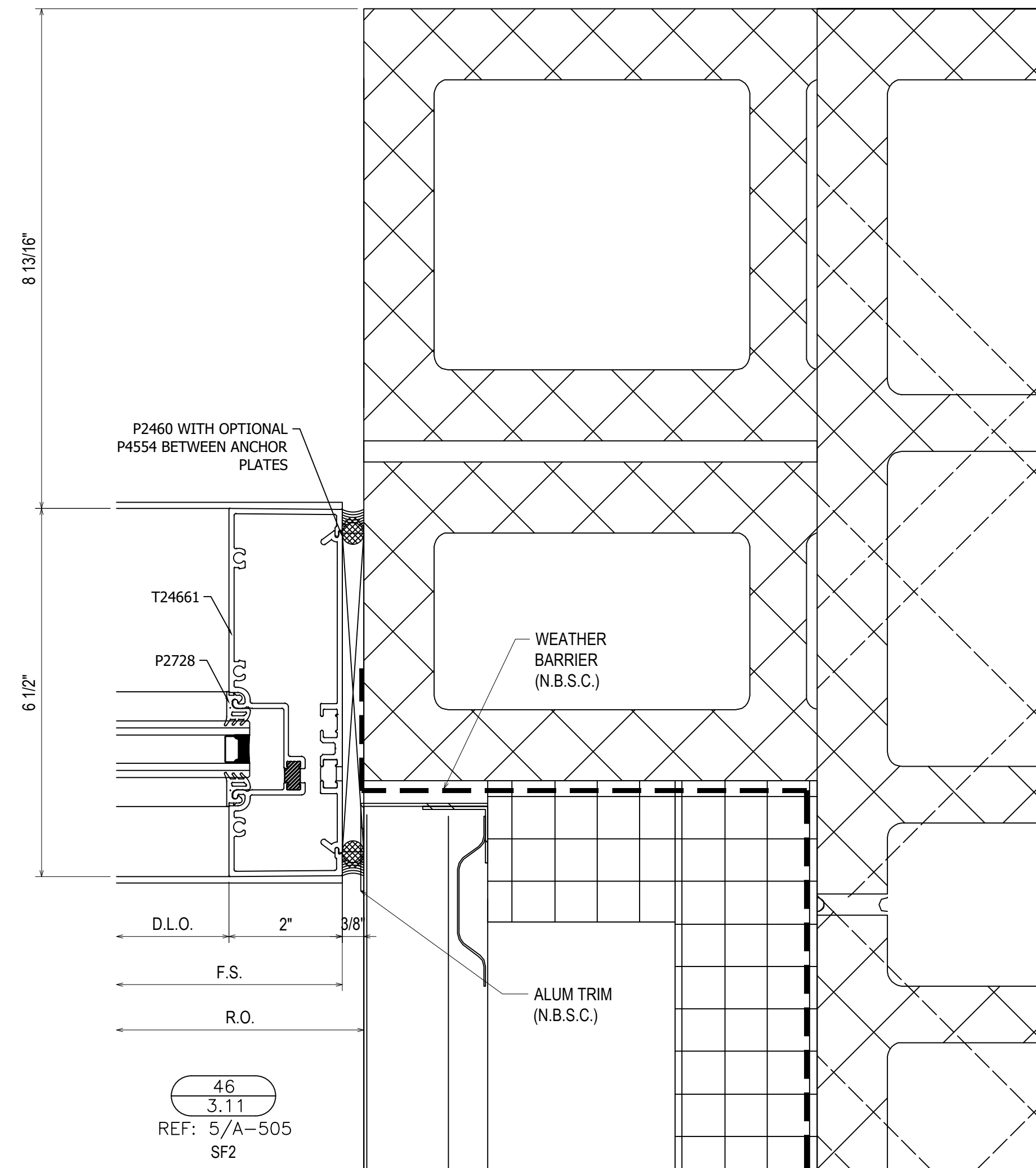
43  
3.11  
REF: 15/A-504  
SF1-SF19



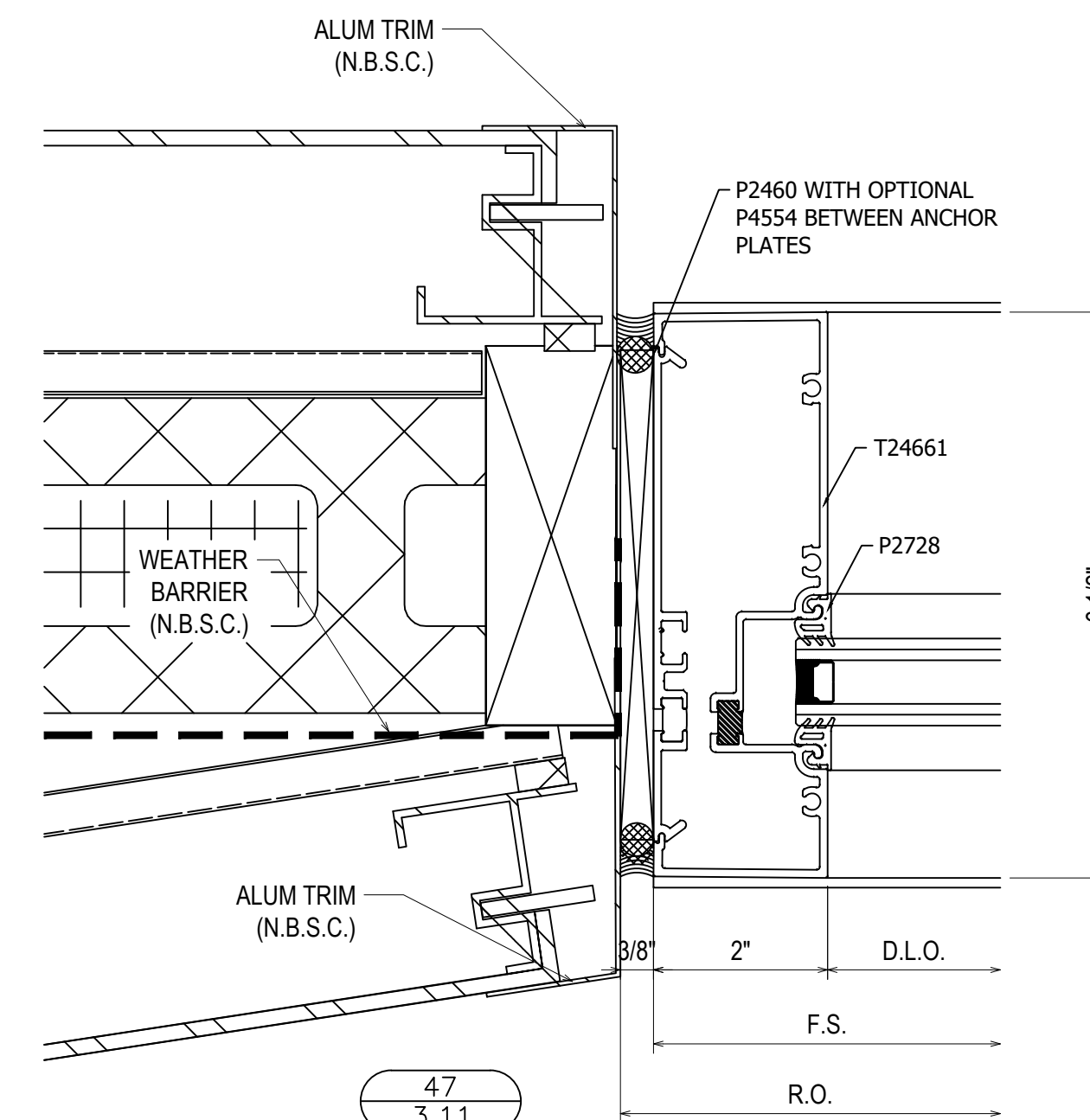
44  
3.11  
REF: N/A  
TYPICAL VERTICAL



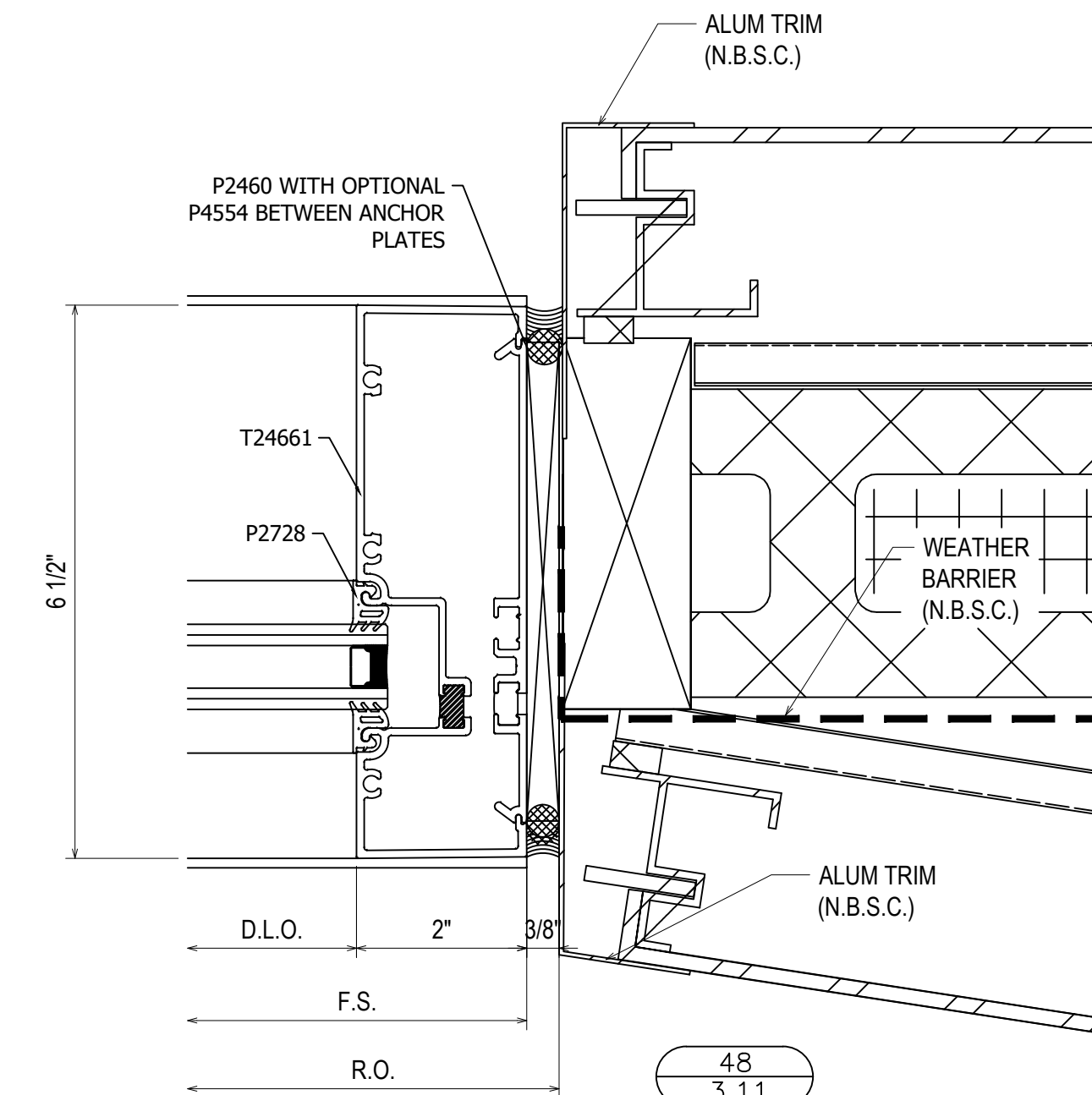
45  
3.11  
REF: 15/A-504  
SF1-SF19



46  
3.11  
REF: 5/A-505  
SF2



47  
3.11  
REF: 1/A-504  
SF23



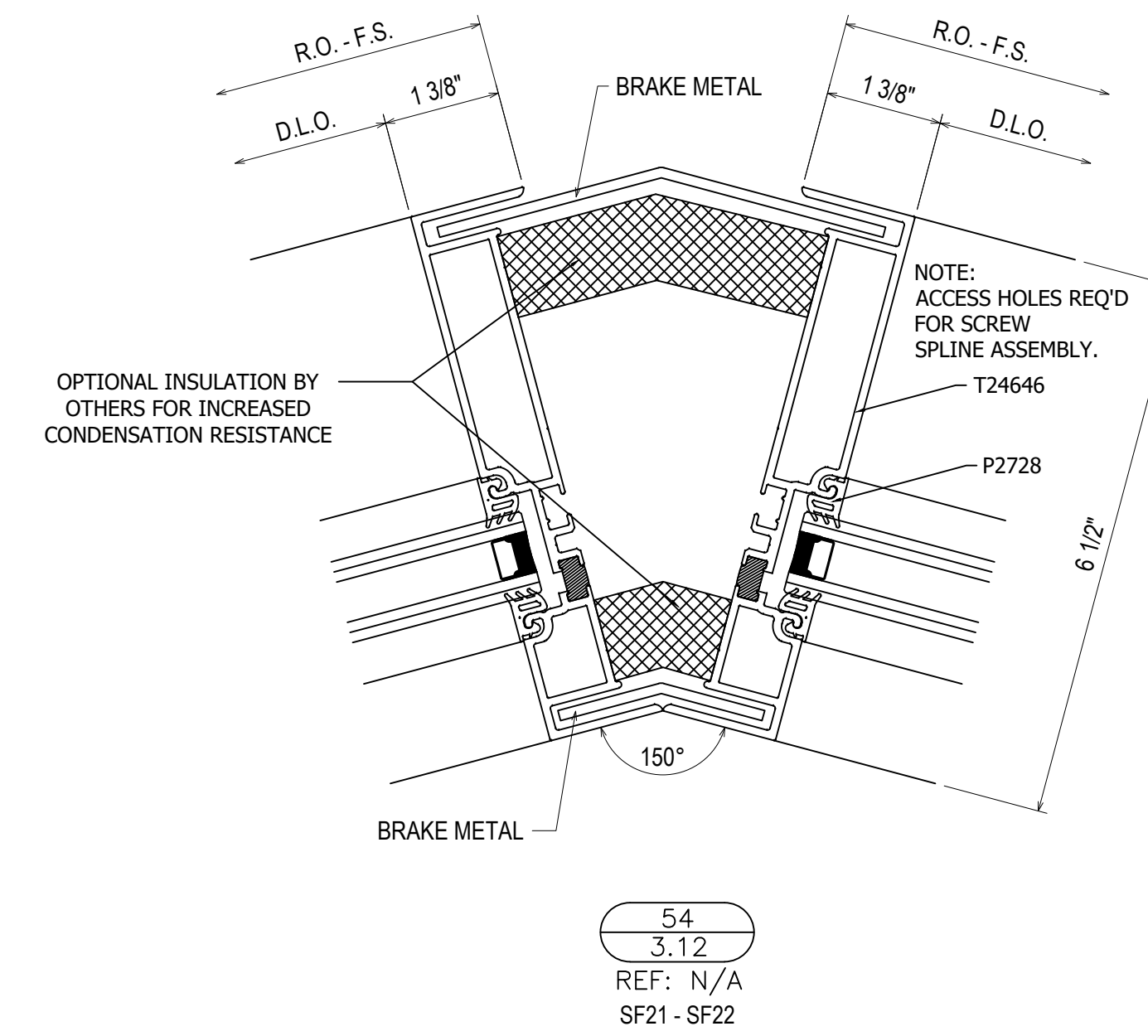
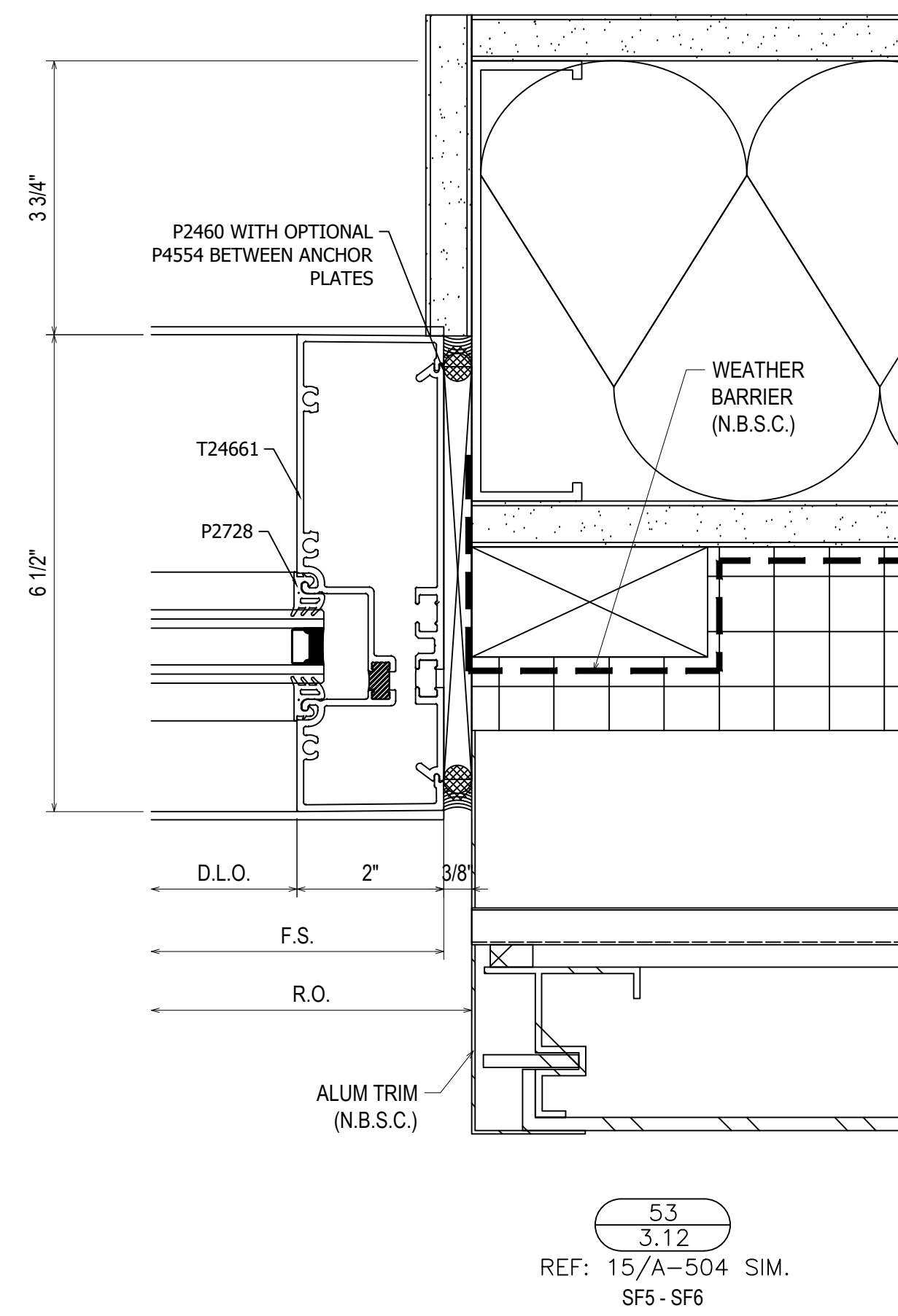
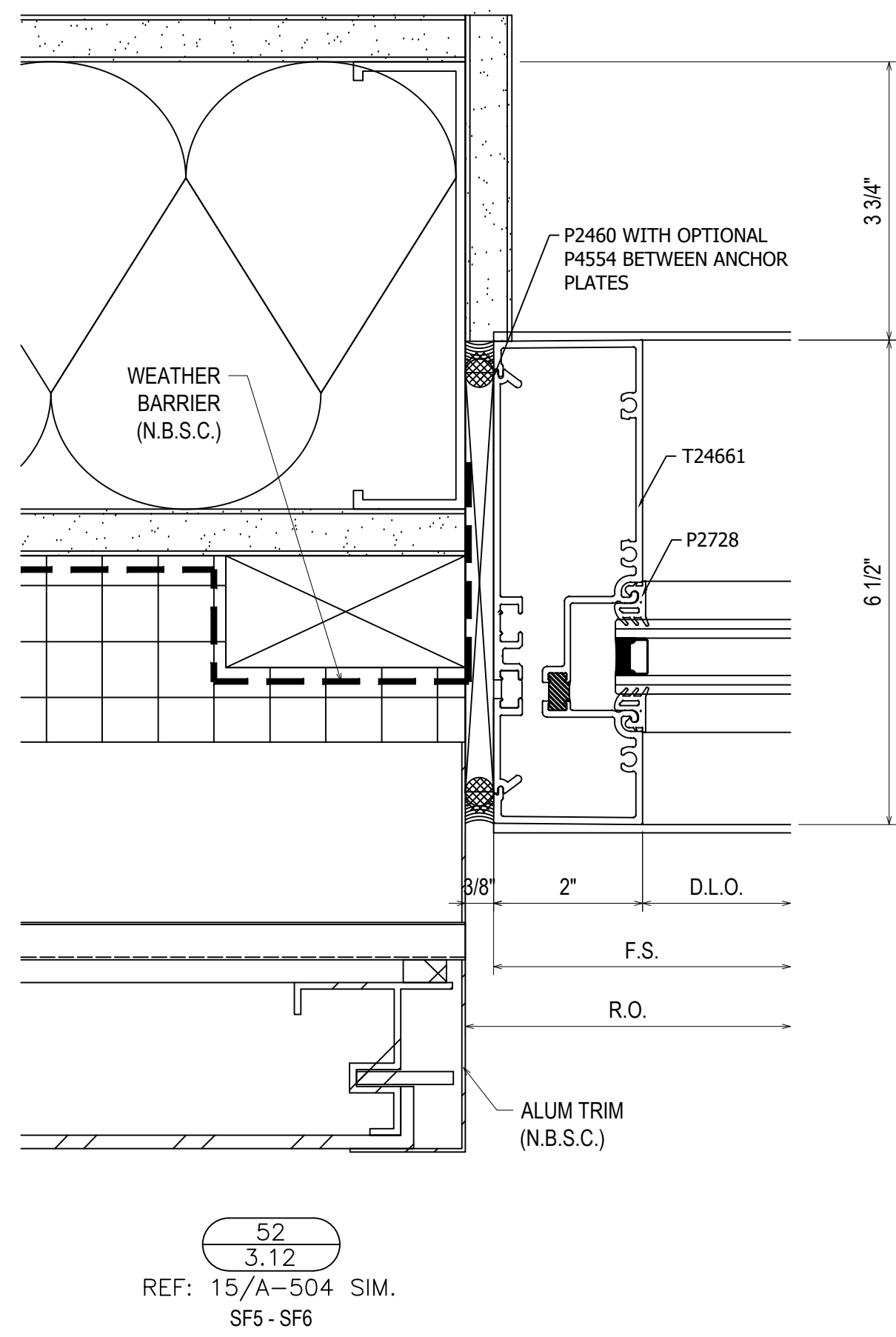
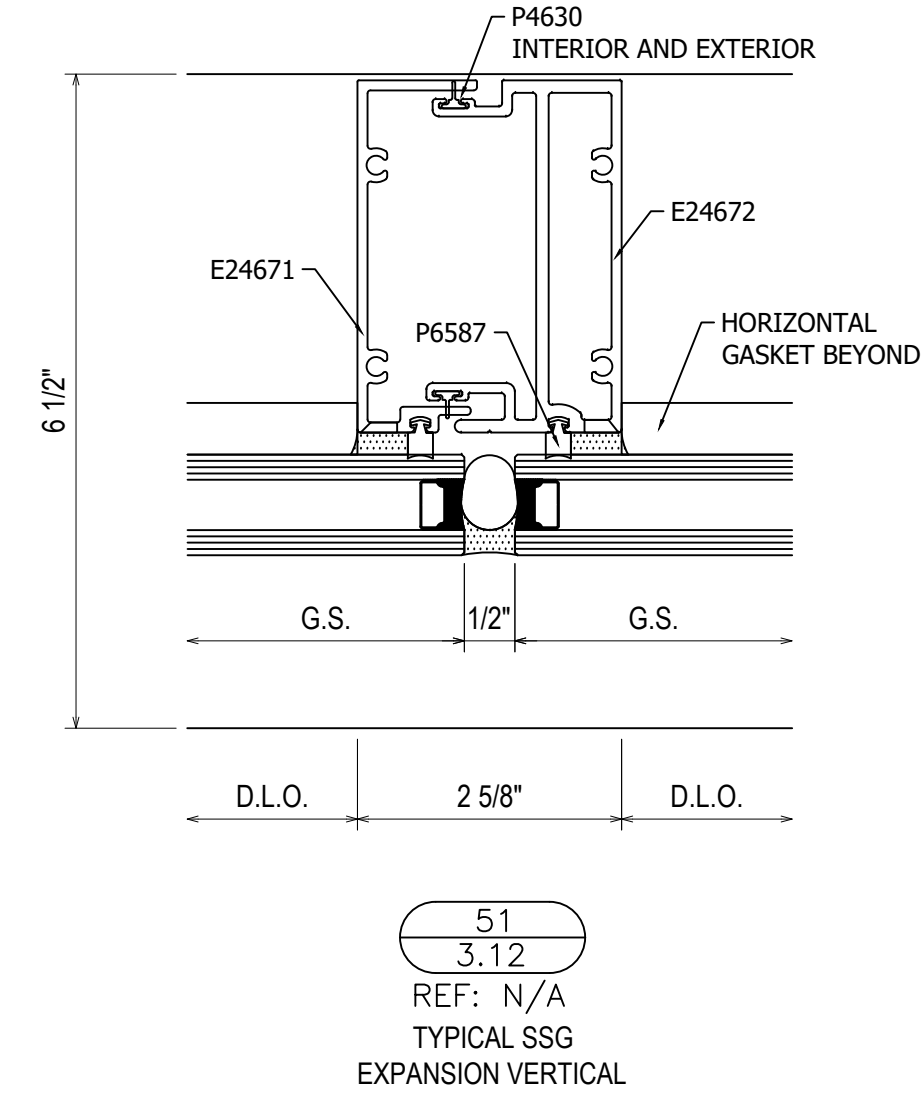
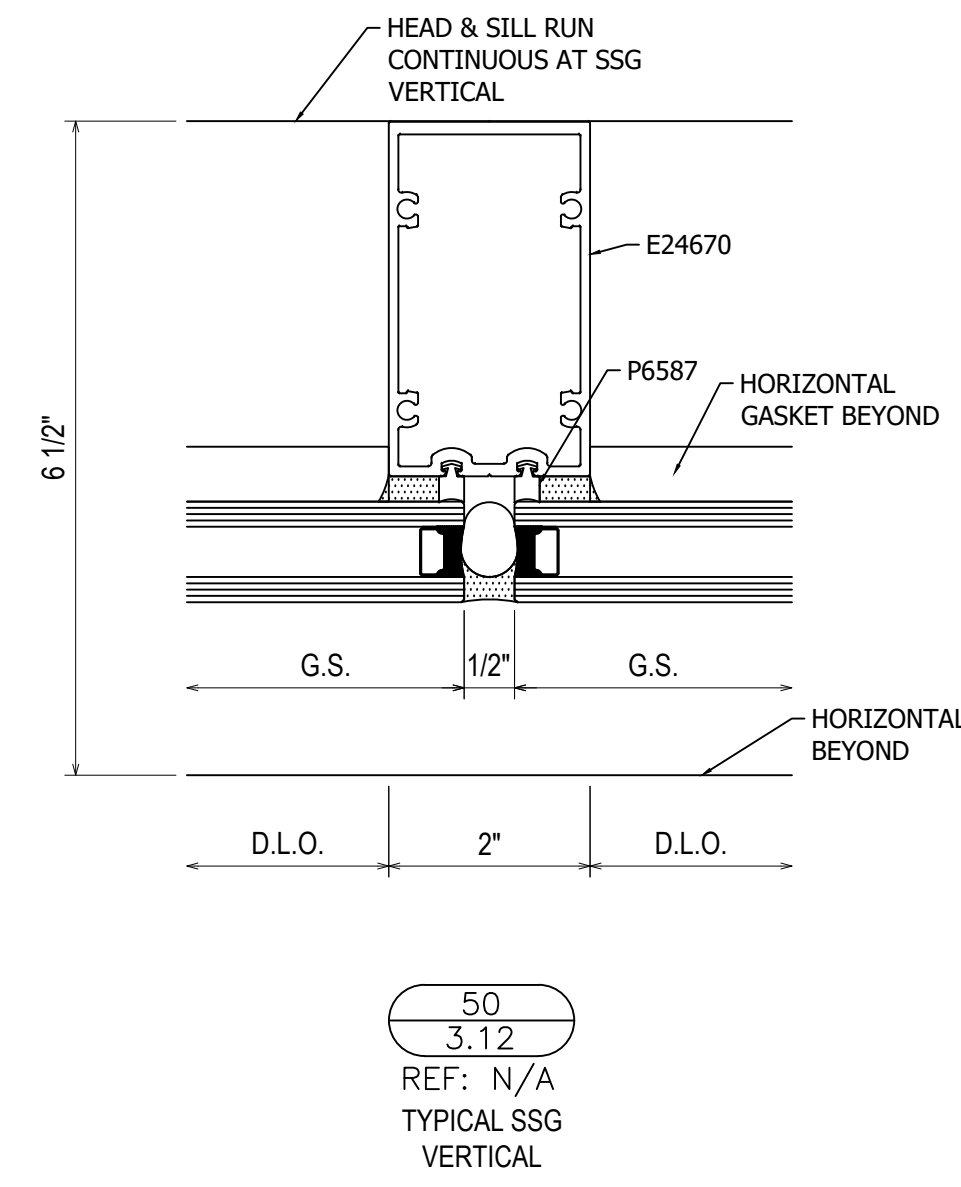
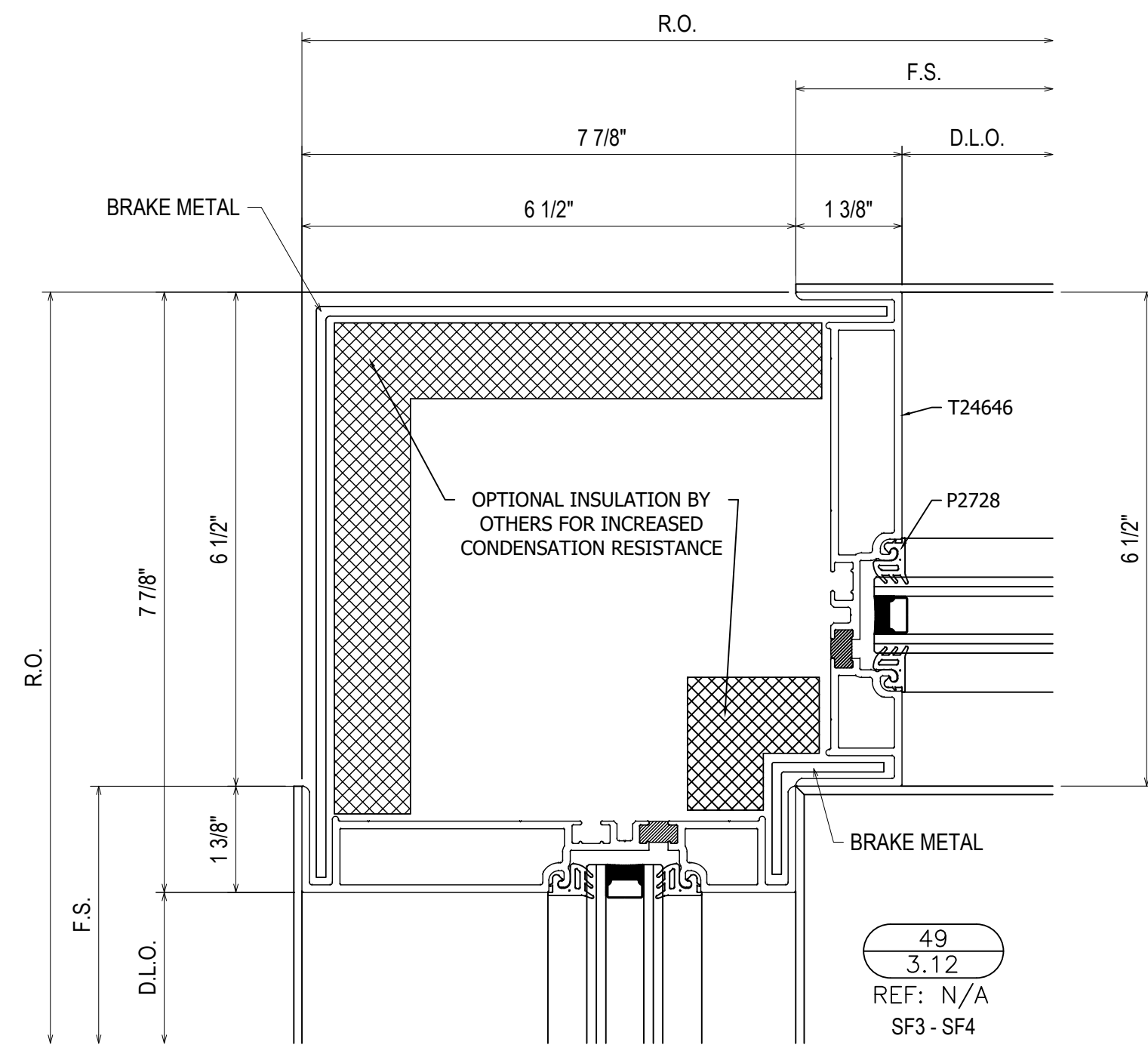
48  
3.11  
REF: 1/A-504  
SF3

NO	DESCRIPTION

**MAYFIELD HEIGHTS AQUATIC AND COMMUNITY CENTER**  
6080 MARSOL AVE.  
MAYFIELD HEIGHTS, OH 44124

SIXTH CITY GLAZING  
11941 ABBEY ROAD, UNIT E  
NORTH ROYALTON, OH 44133

DRAWN BY:	DATE:
DJ	10.3.22
CHECKED BY:	DATE:
RS	10.3.22

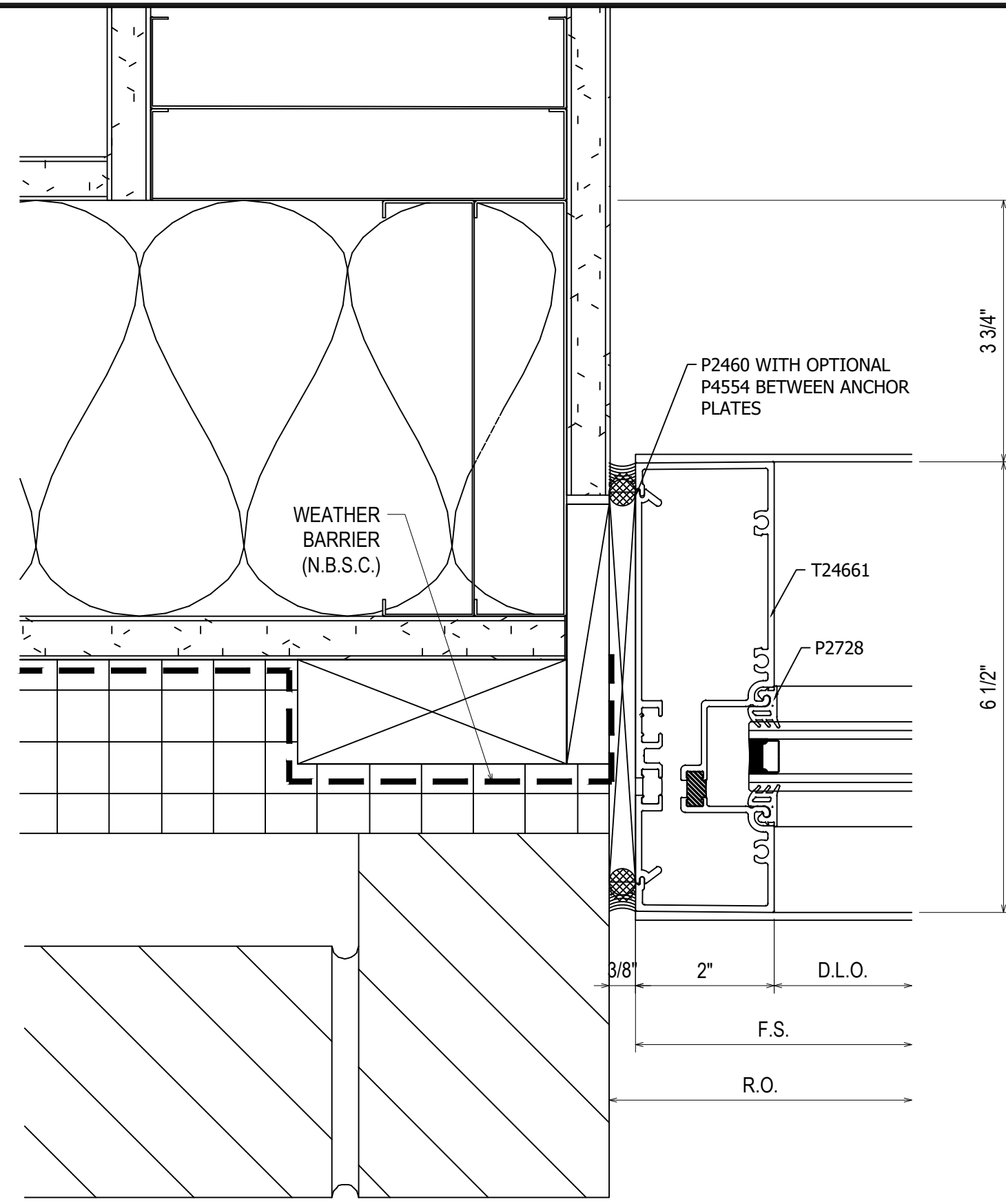


NO	DESCRIPTION

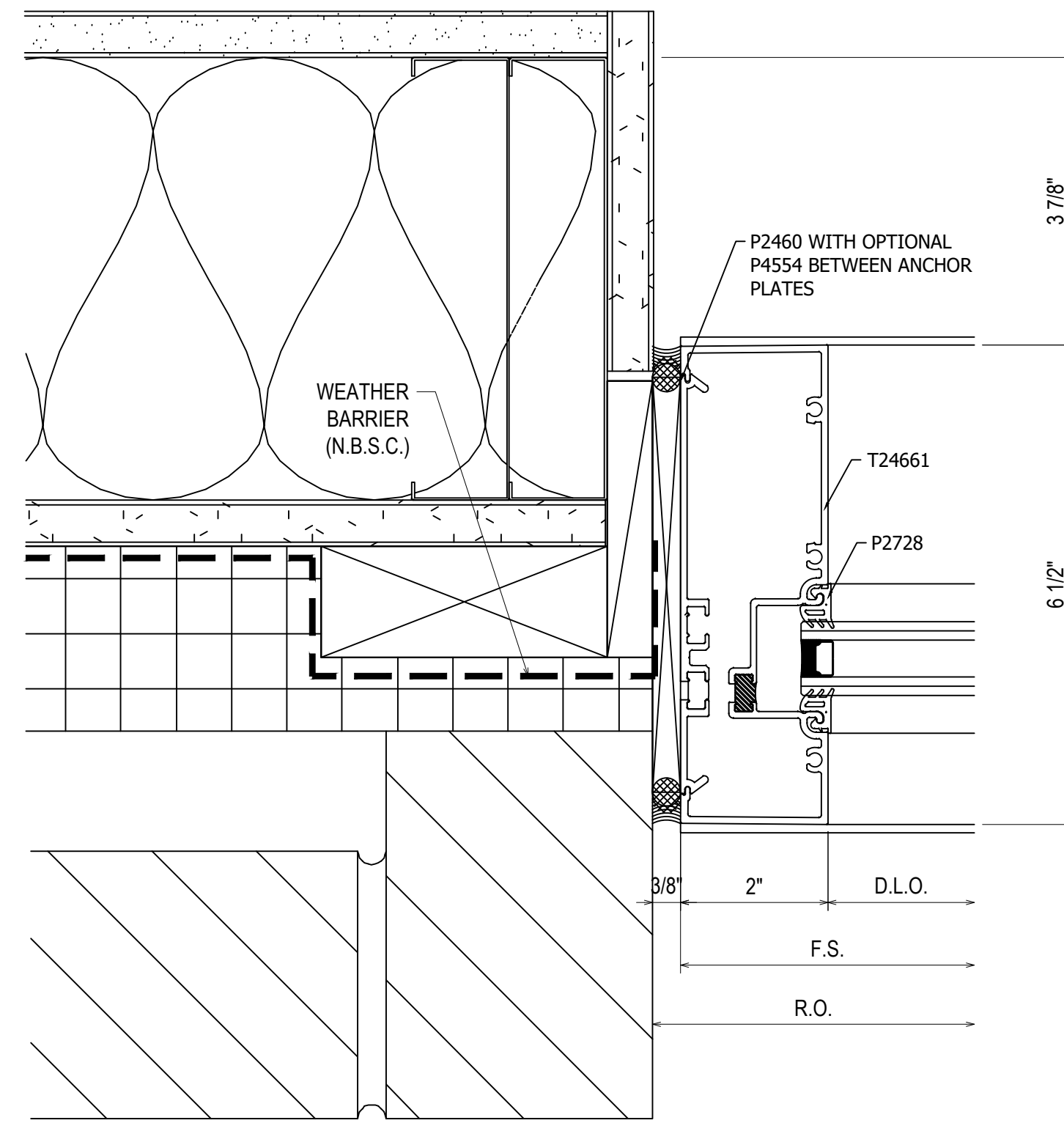
**MAYFIELD HEIGHTS AQUATIC AND COMMUNITY CENTER**  
6080 MARSOL AVE.  
MAYFIELD HEIGHTS, OH 44124

SIXTH CITY GLAZING  
11941 ABBEY ROAD, UNIT E  
NORTH ROYALTON, OH 44133

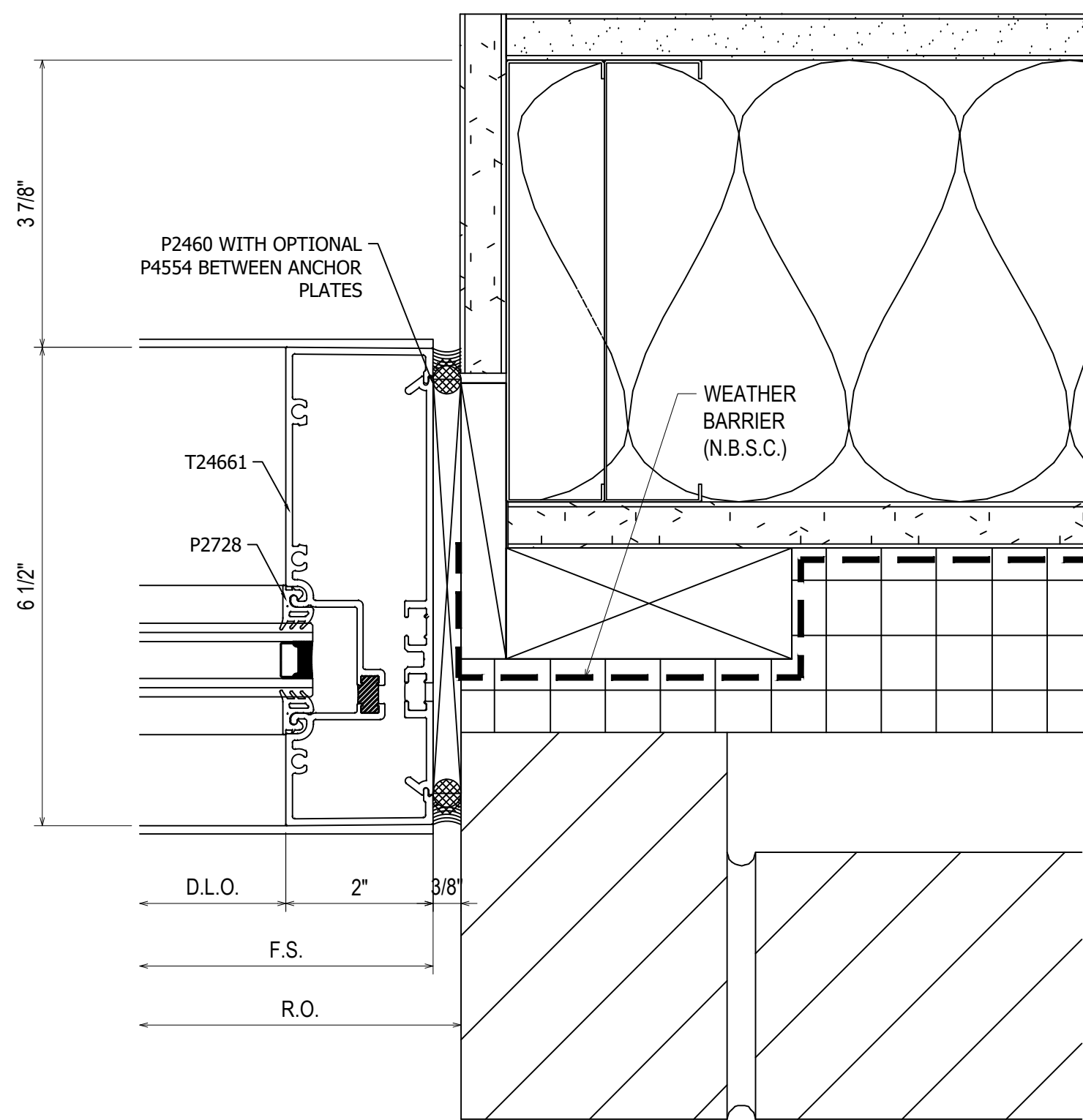
DRAWN BY:	DATE:
DJ	10.3.22
CHECKED BY:	DATE:
RS	10.3.22



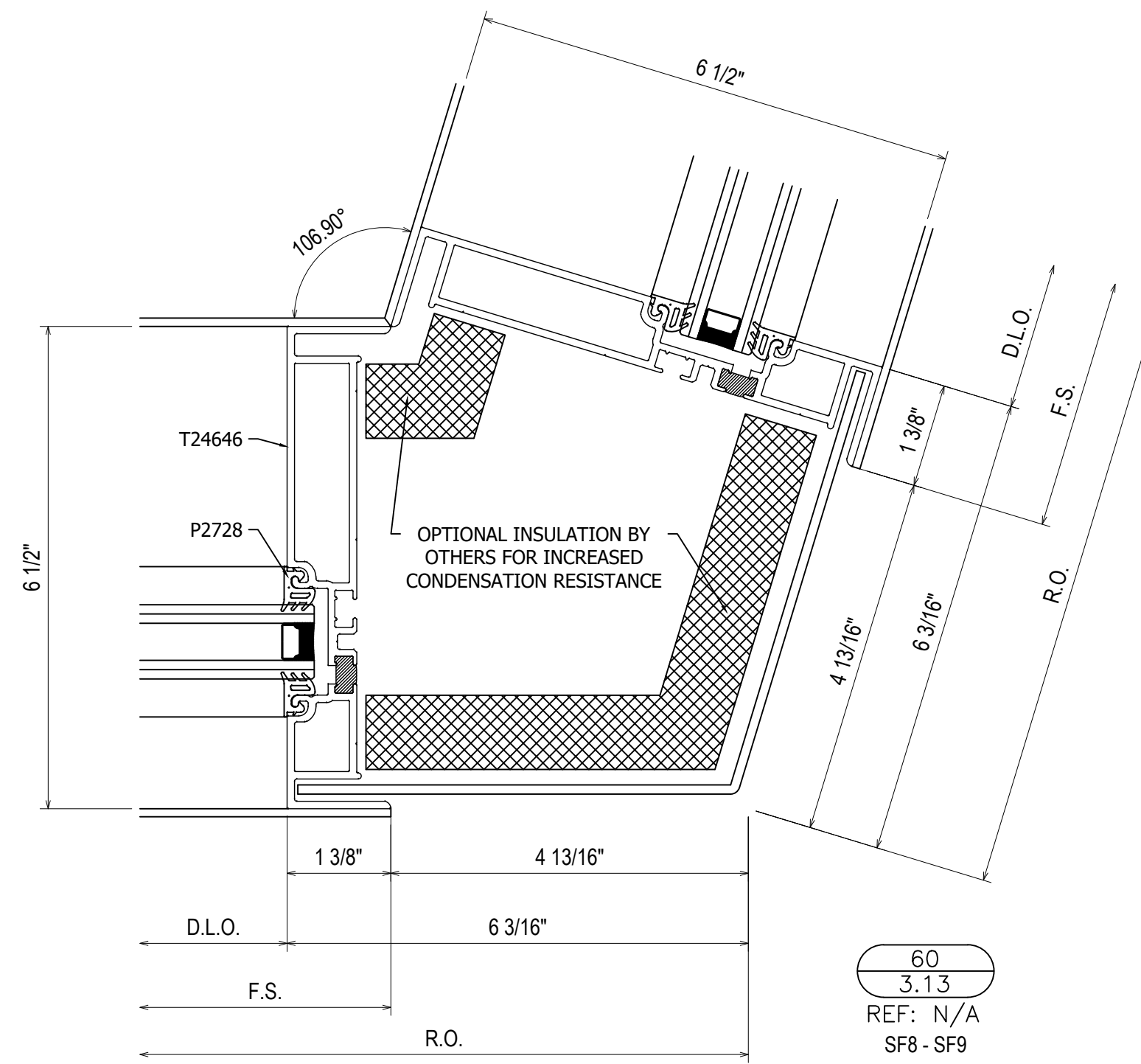
57  
3.13  
REF: 3/A-505  
SF7A



58  
3.13  
REF: 3/A-505 SIM.  
SF20



59  
3.13  
REF: 3/A-505 SIM.  
SF8 - SF20

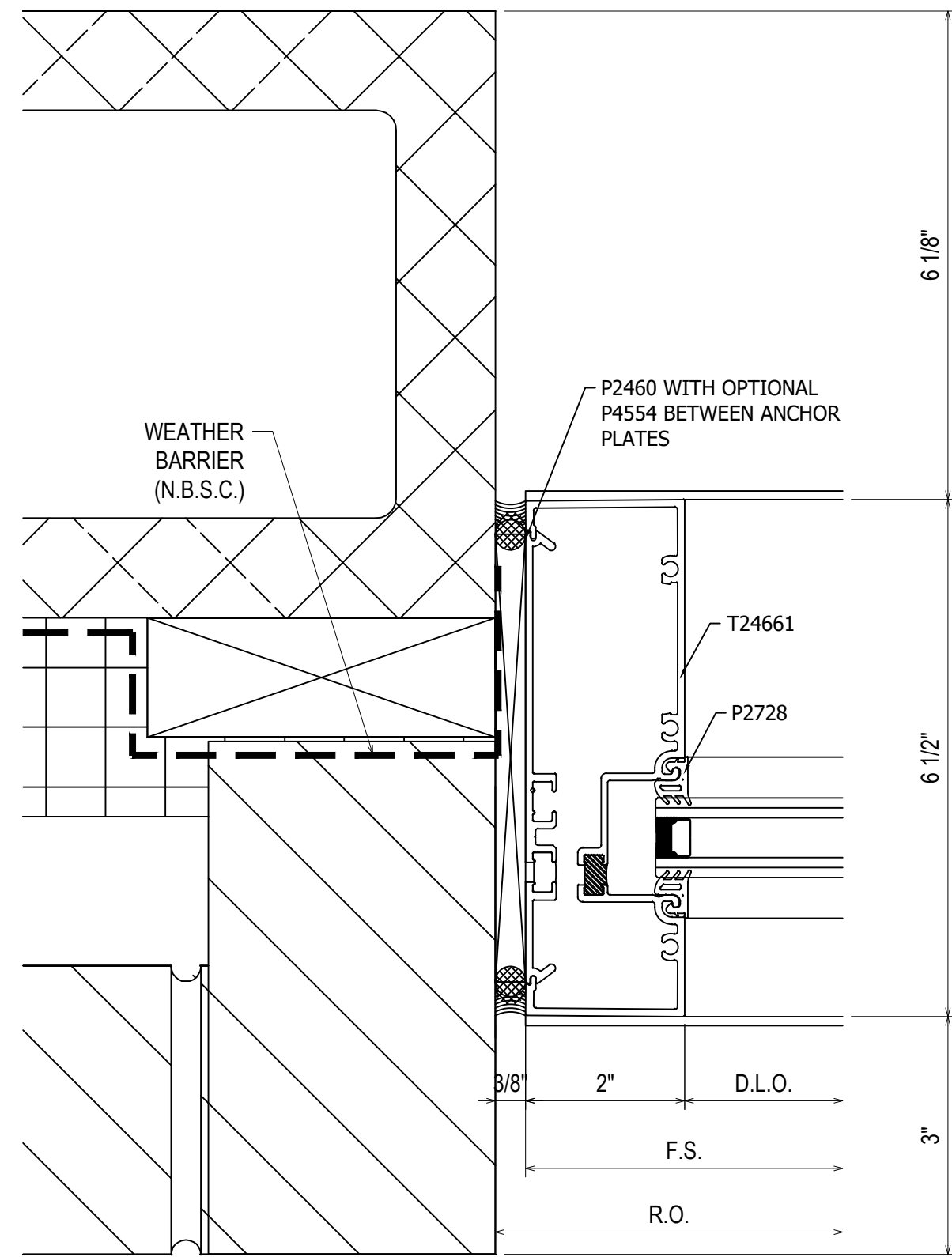


60  
3.13  
REF: N/A  
SF8 - SF9

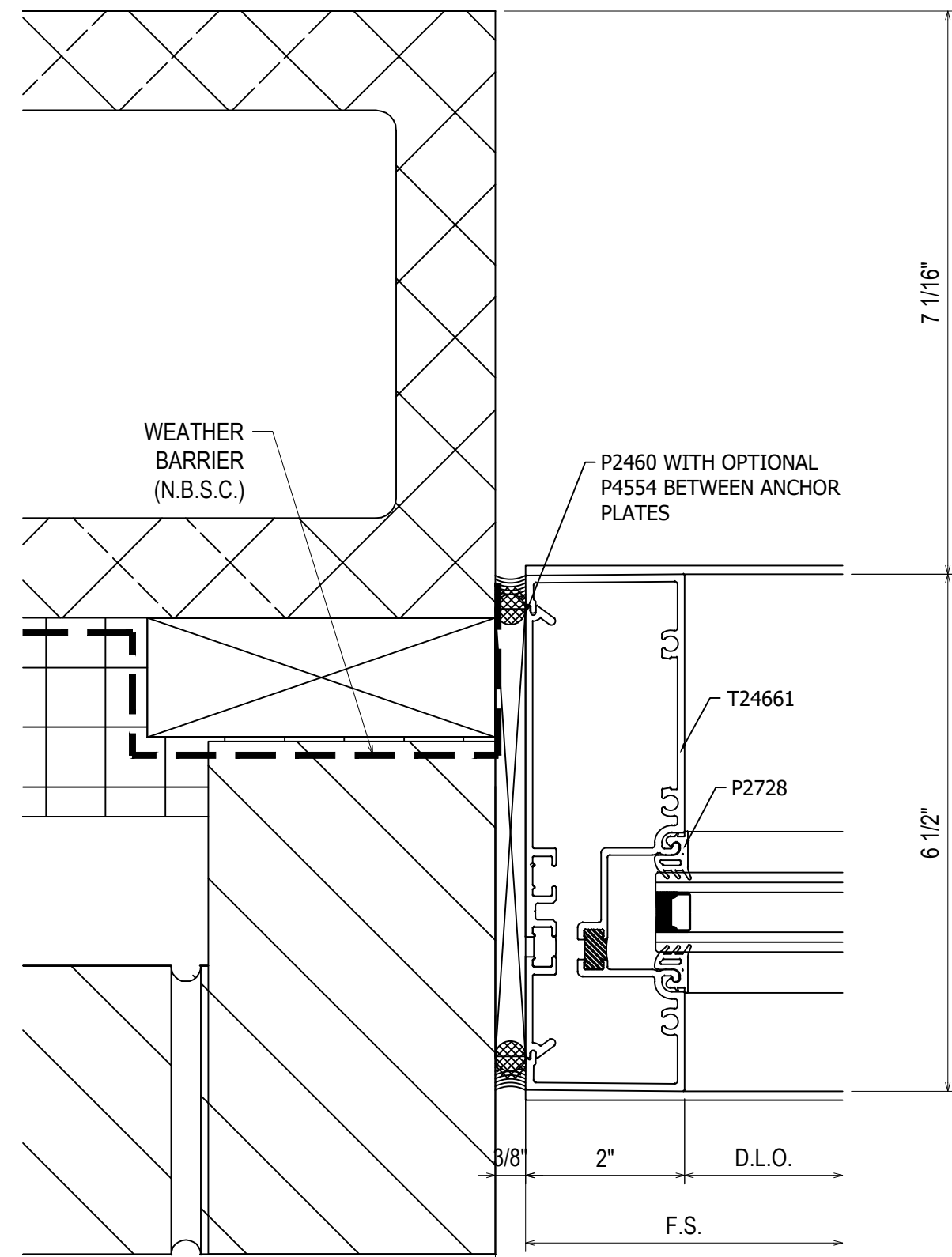
SIXTH CITY GLAZING.  
11941 ABBEY ROAD, UNIT E  
NORTH ROYALTON, OH 44133

MAYFIELD HEIGHTS AQUATIC AND COMMUNITY CENTER  
6080 MARSOL AVE.  
MAYFIELD HEIGHTS, OH 44124

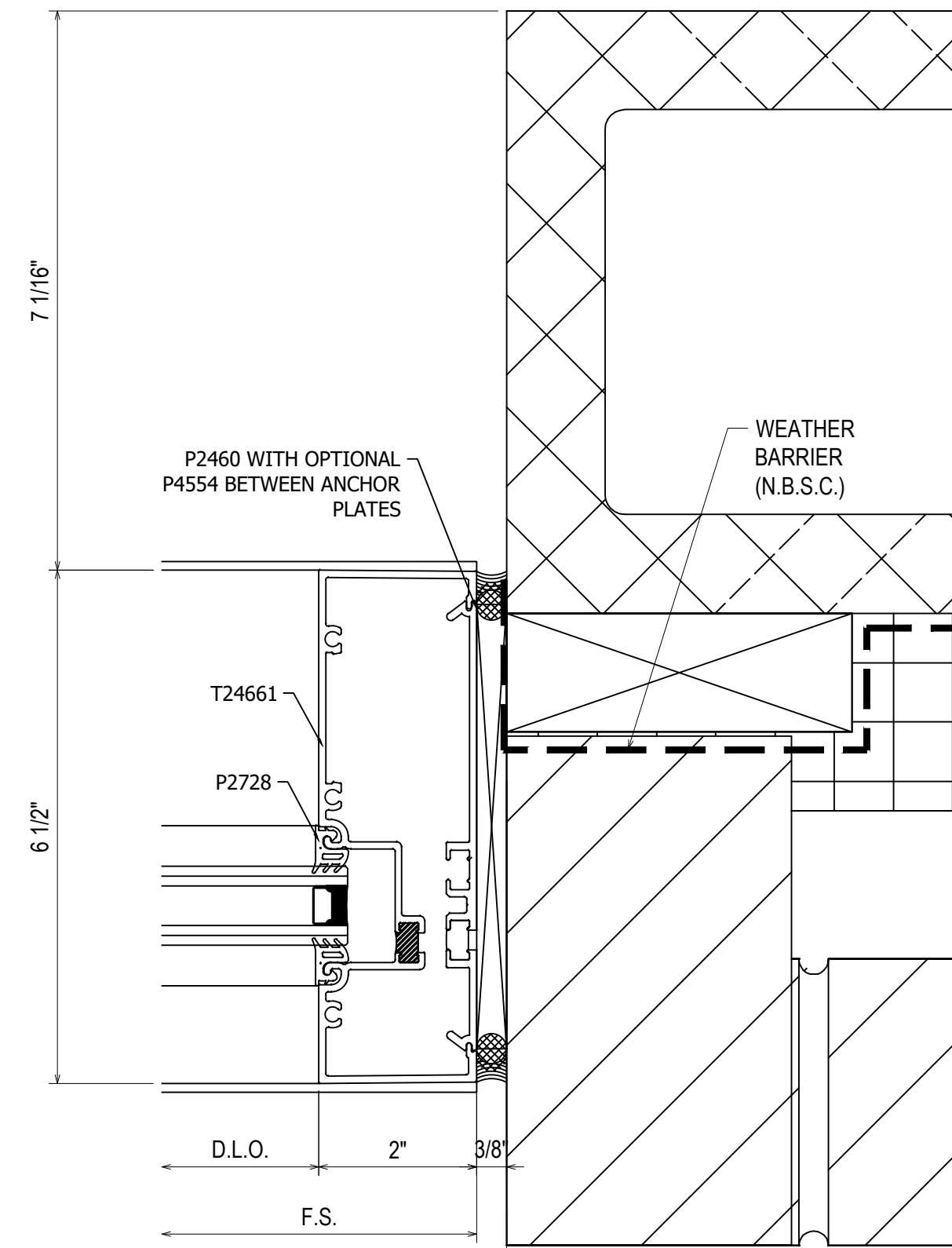
DRAWN BY:	DATE:
DJ	10.3.22
CHECKED BY:	DATE:
RS	10.3.22



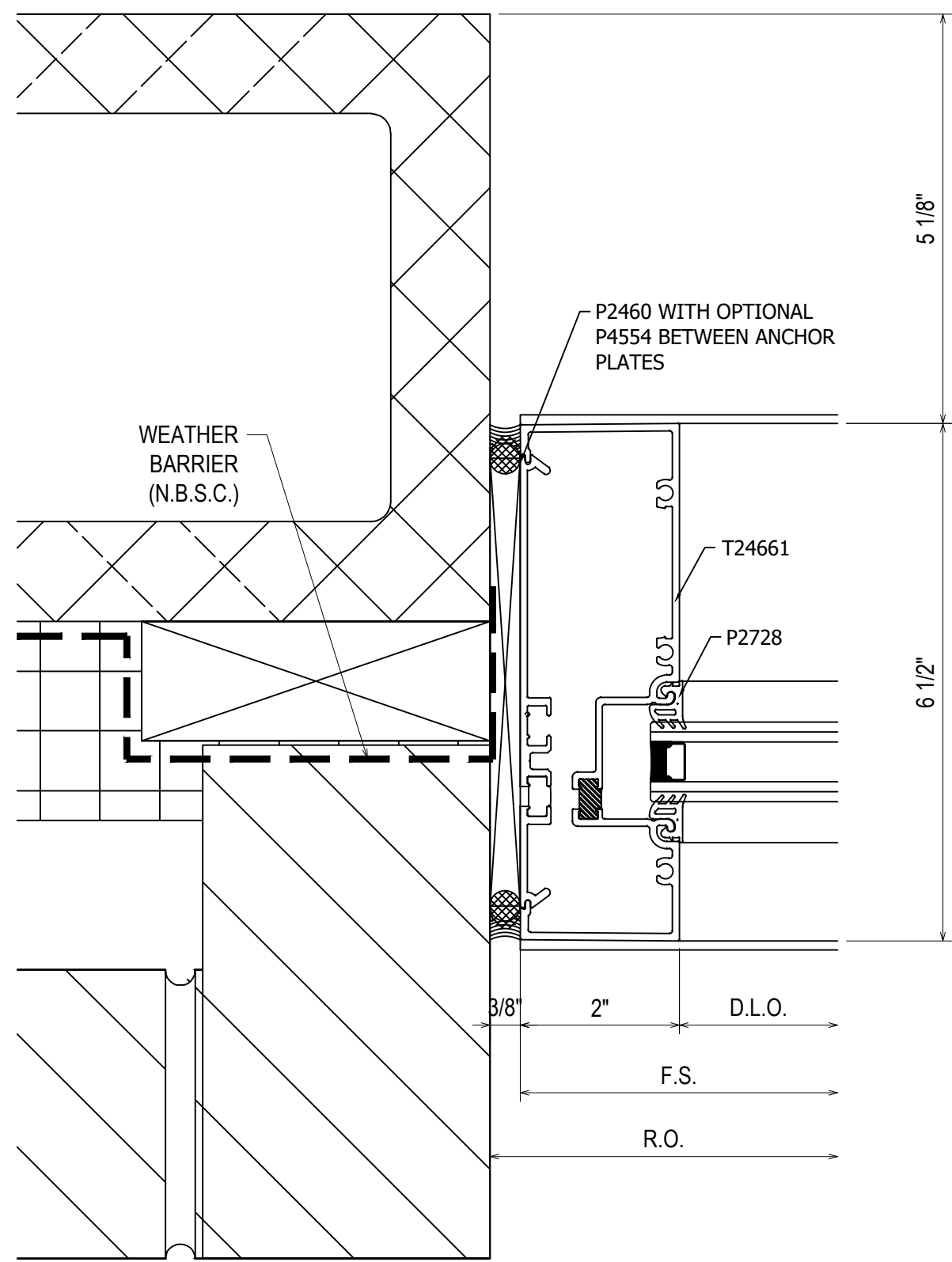
61  
3.14  
REF: 10/A-504  
SF9



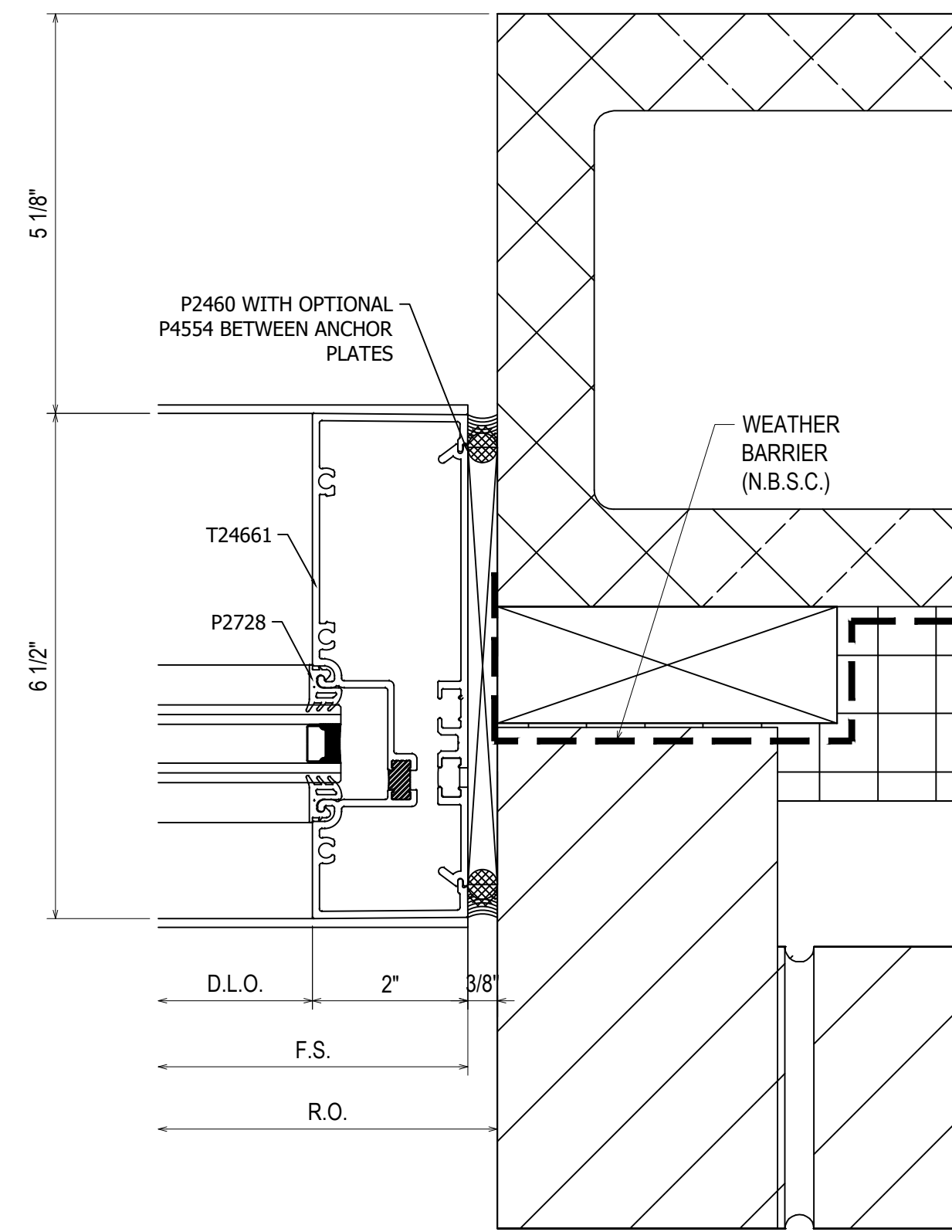
62  
3.14  
REF: 10/A-504  
SF10



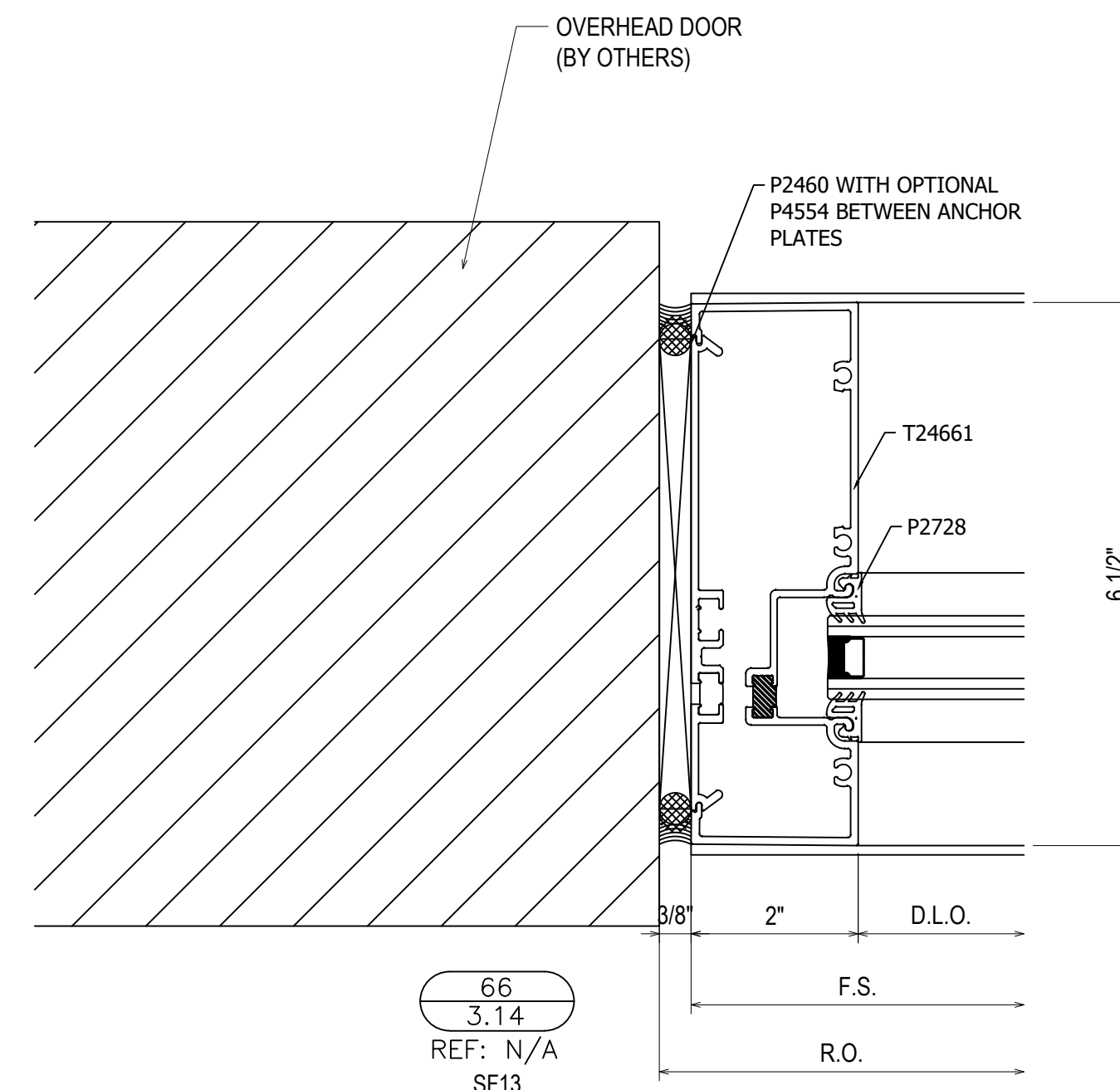
63  
3.14  
REF: 10/A-504  
SF10



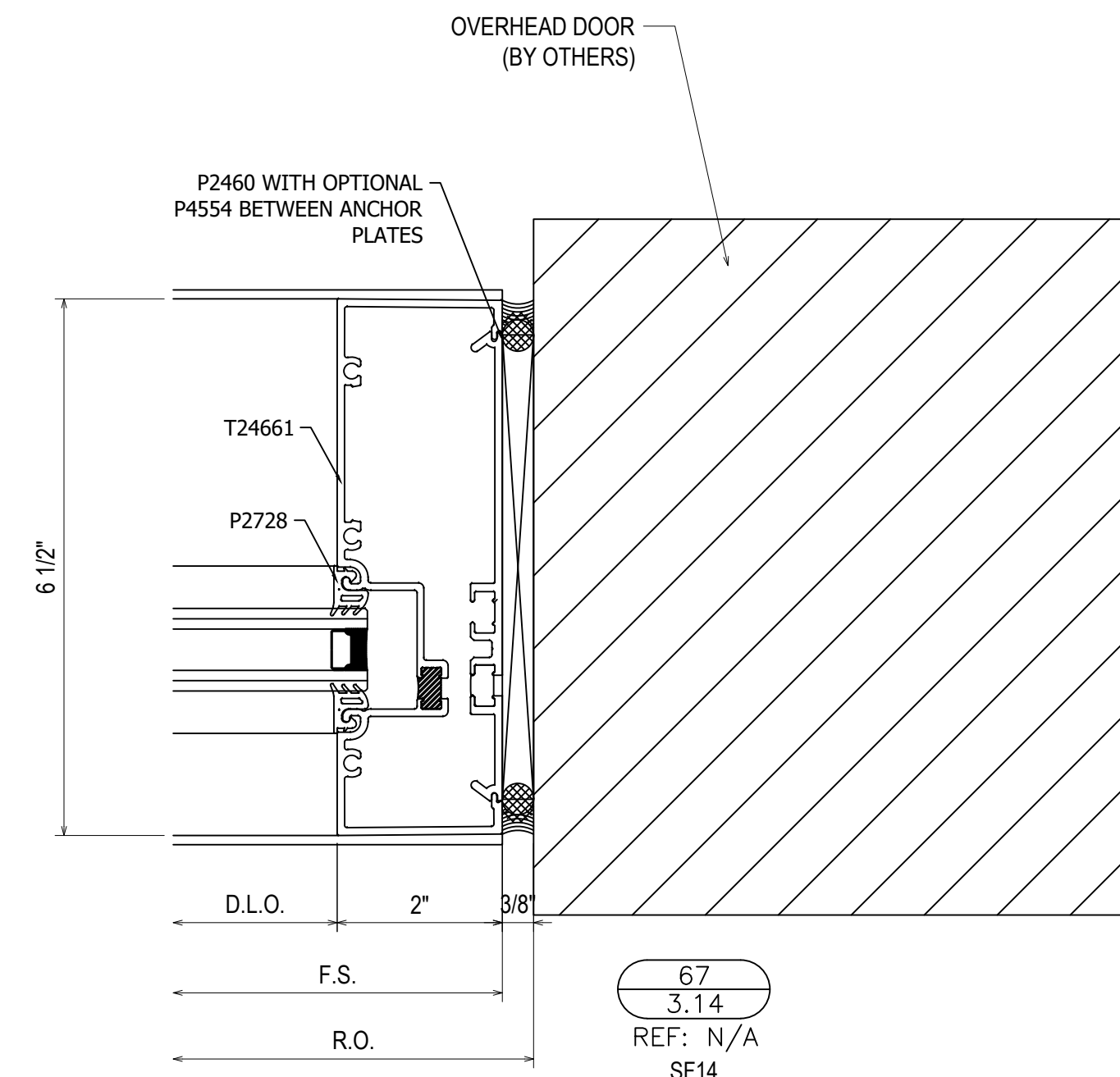
64  
3.14  
REF: 10/A-504  
SF11 - SF12 - SF15 - SF17  
SF18 - SF24 - SF25 - SF25A - SF28



65  
3.14  
REF: 10/A-504  
SF12 - SF15 - SF16 - SF18  
SF25 - SF25A - SF28



66  
3.14  
REF: N/A  
SF13



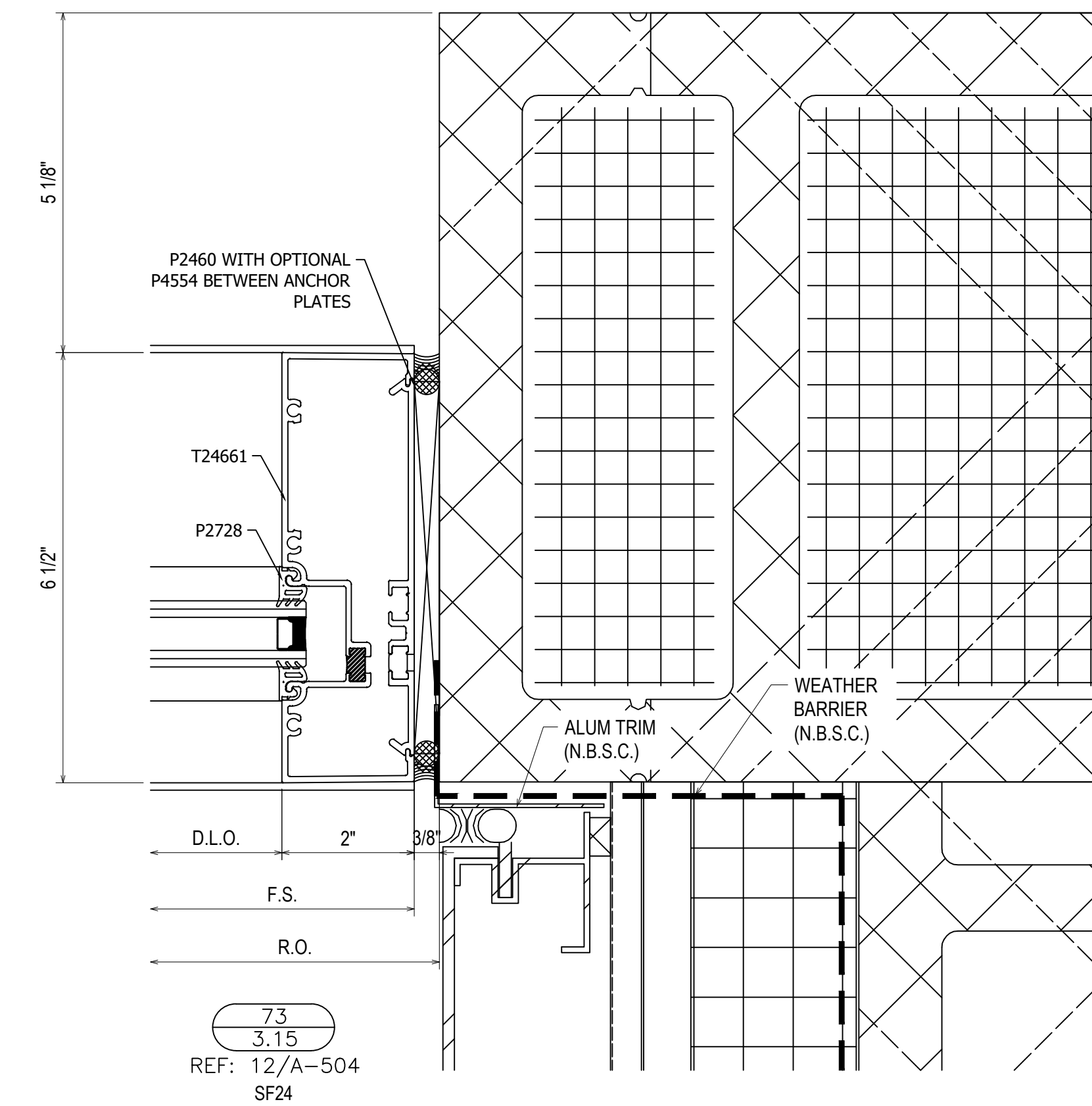
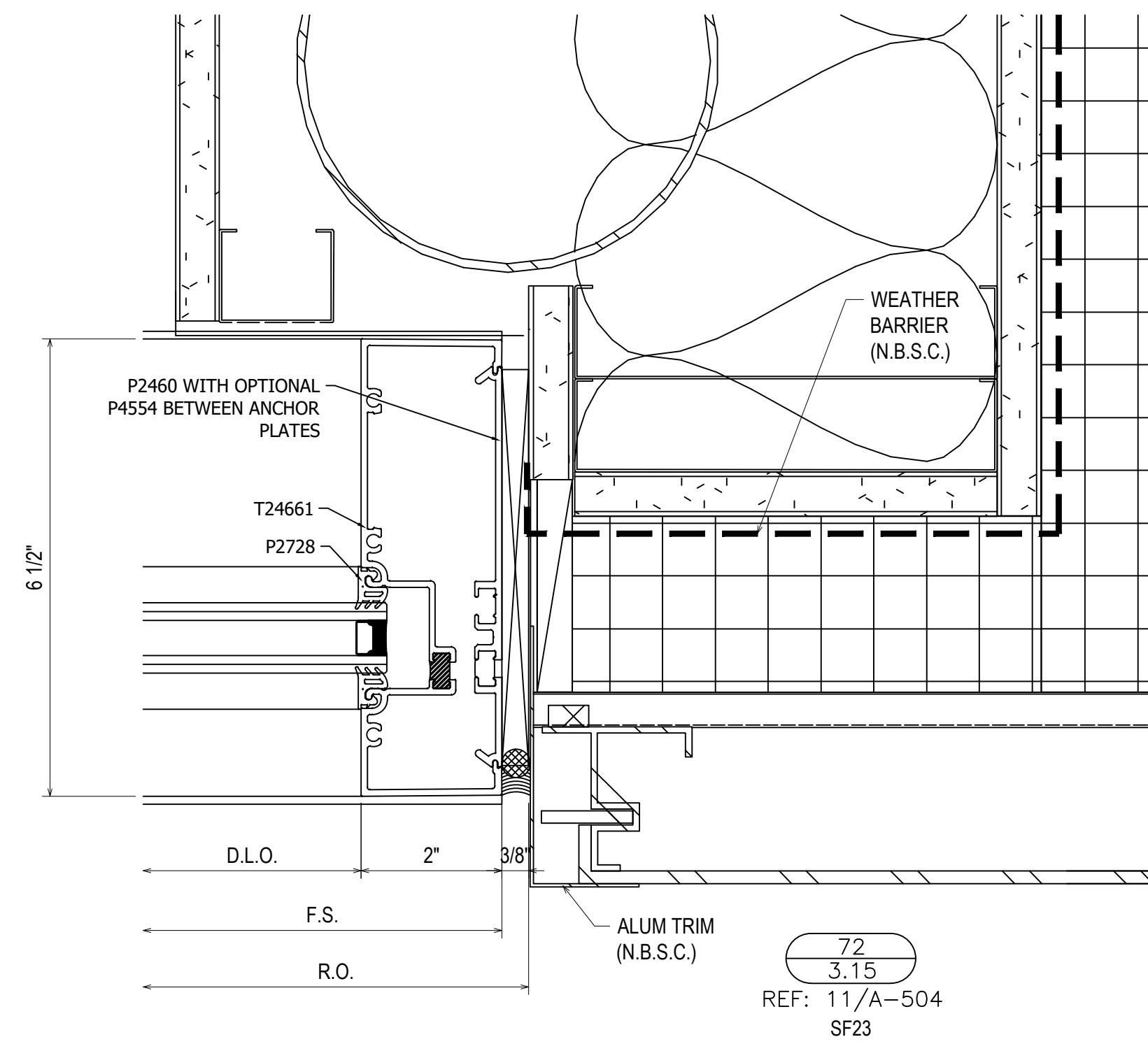
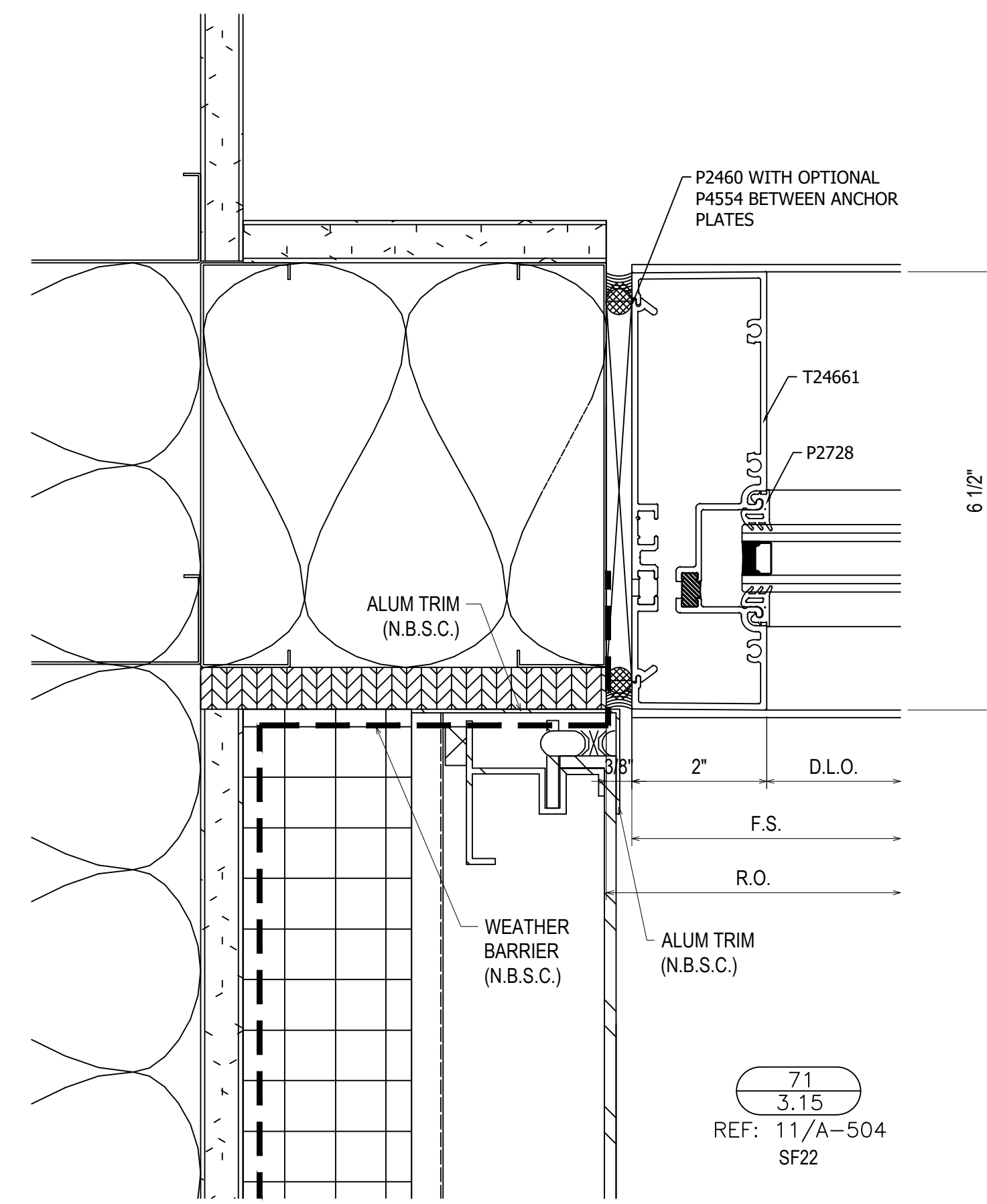
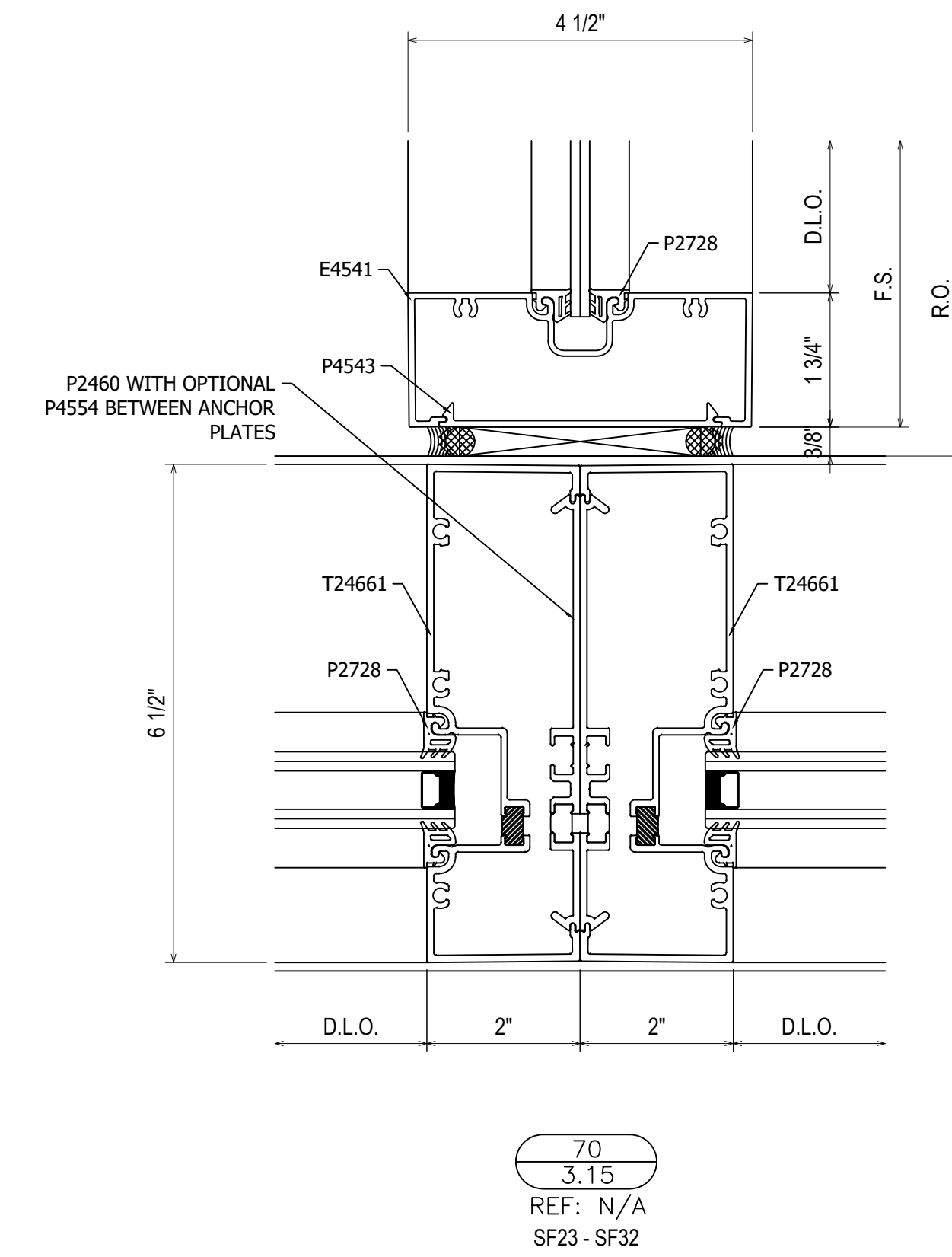
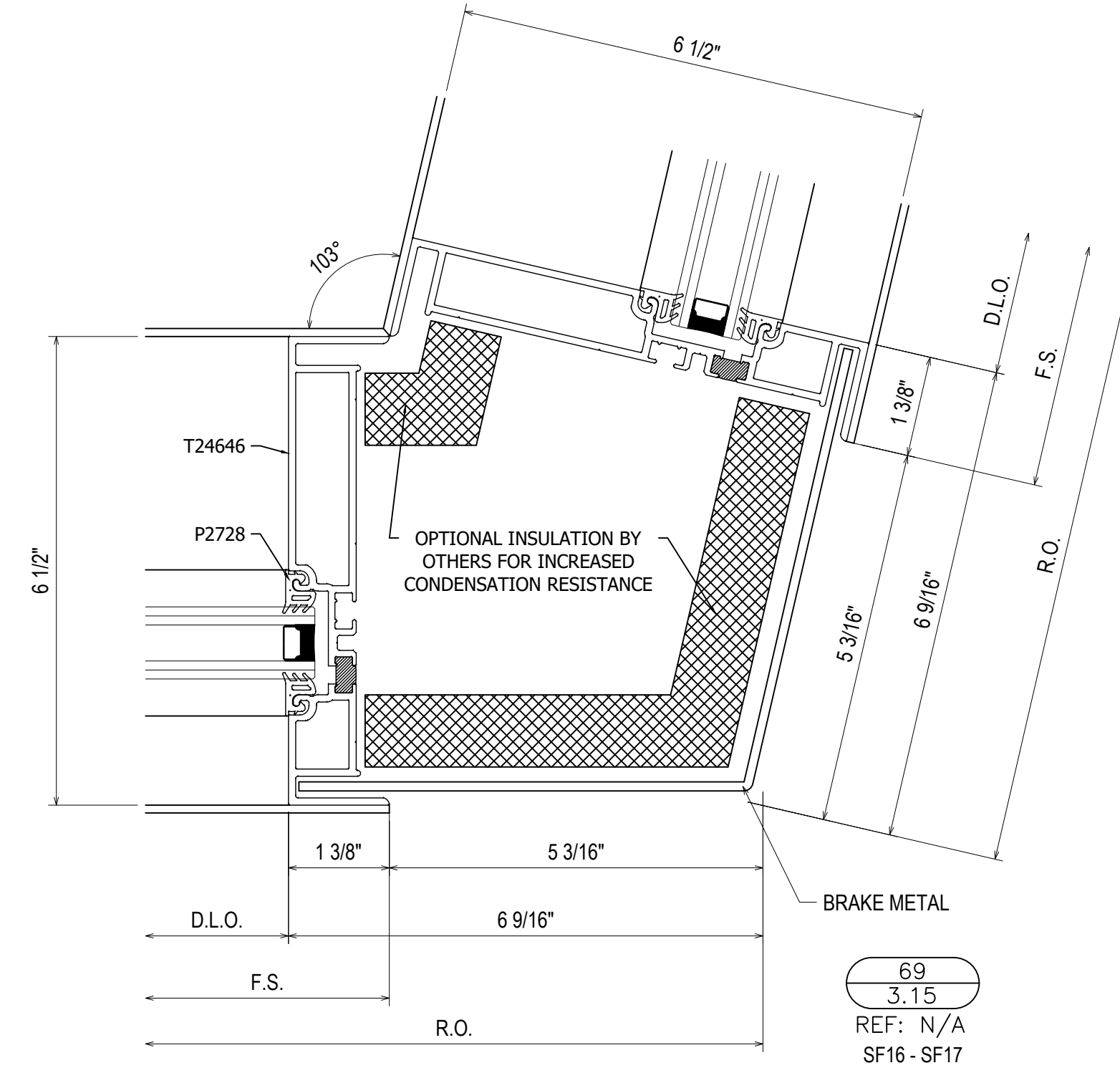
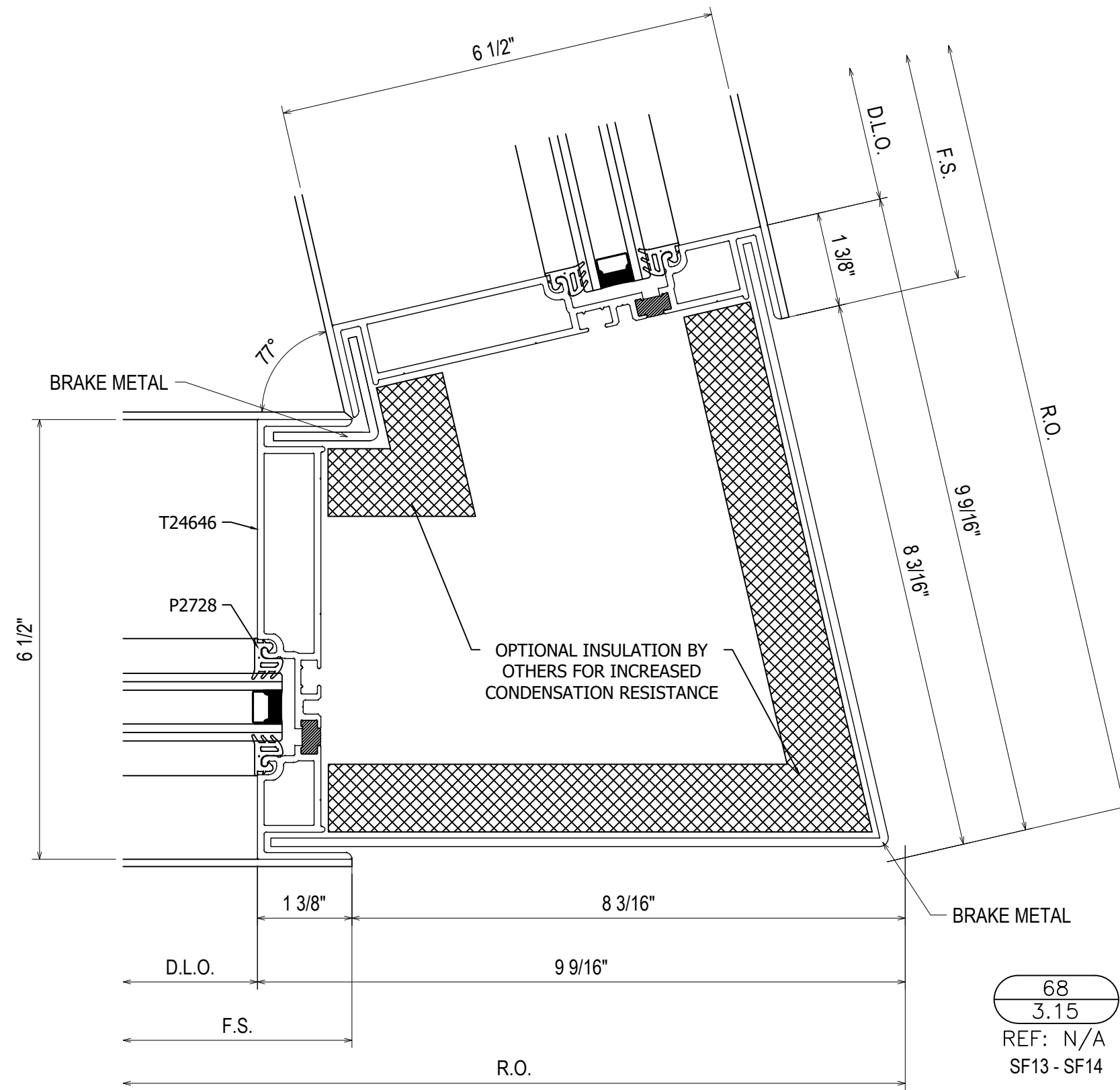
67  
3.14  
REF: N/A  
SF14

NO	DESCRIPTION

**MAYFIELD HEIGHTS AQUATIC AND COMMUNITY CENTER**  
6080 MARSOL AVE.  
MAYFIELD HEIGHTS, OH 44124

SIXTH CITY GLAZING  
11941 ABBEY ROAD, UNIT E  
NORTH ROYALTON, OH 44133

DRAWN BY:	DATE:
DJ	10.3.22
CHECKED BY:	DATE:
RS	10.3.22

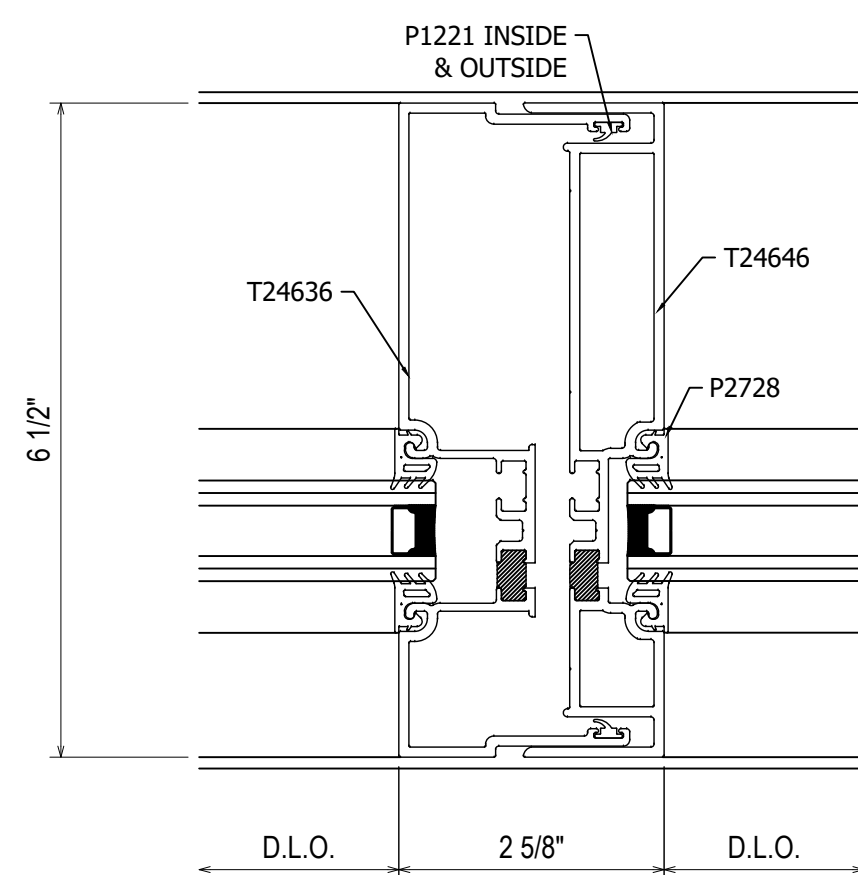


NO	DESCRIPTION

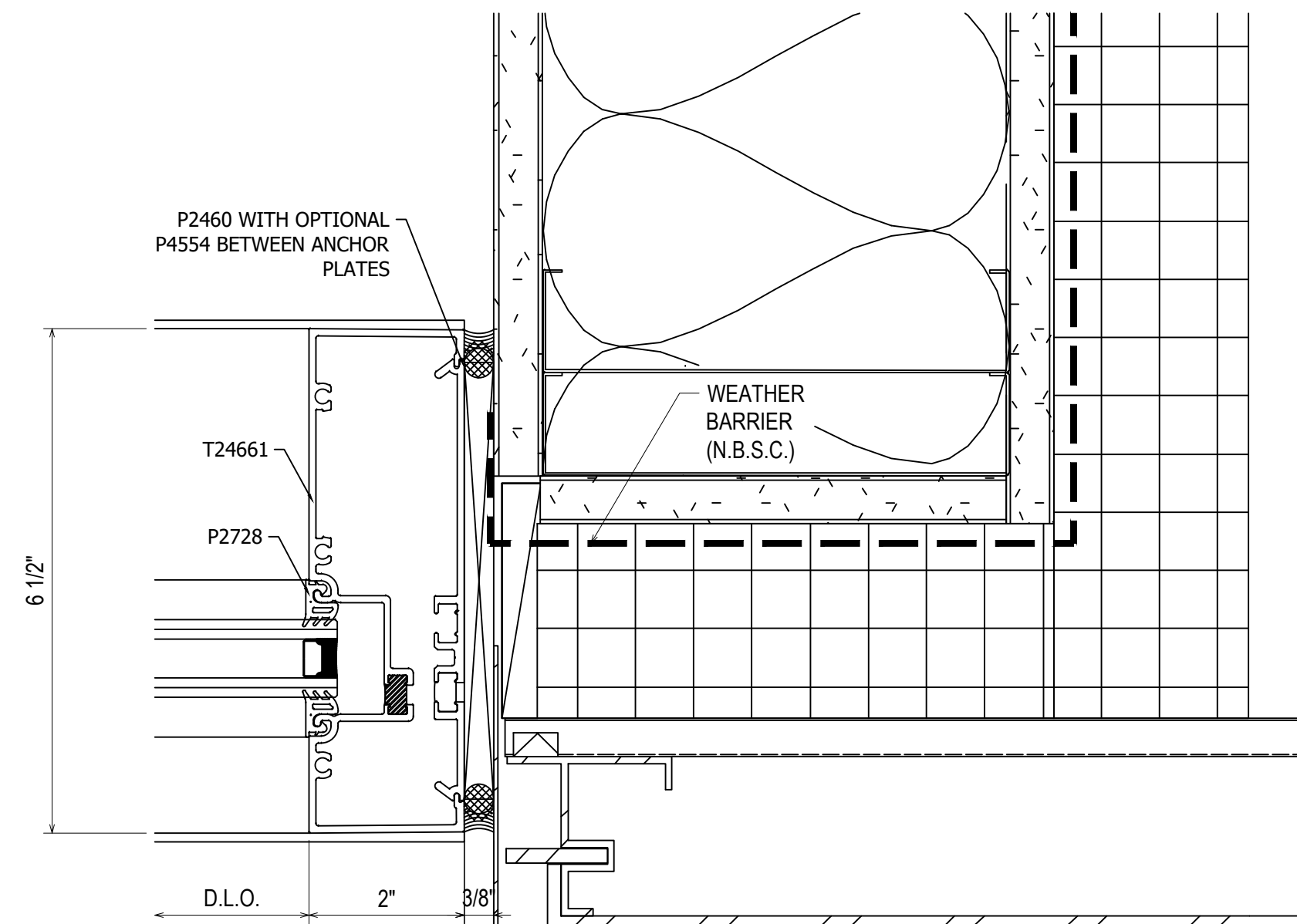
**MAYFIELD HEIGHTS AQUATIC AND COMMUNITY CENTER**  
6080 MARSOL AVE.  
MAYFIELD HEIGHTS, OH 44124

SIXTH CITY GLAZING  
11941 ABBEY ROAD, UNIT E  
NORTH ROYALTON, OH 44133

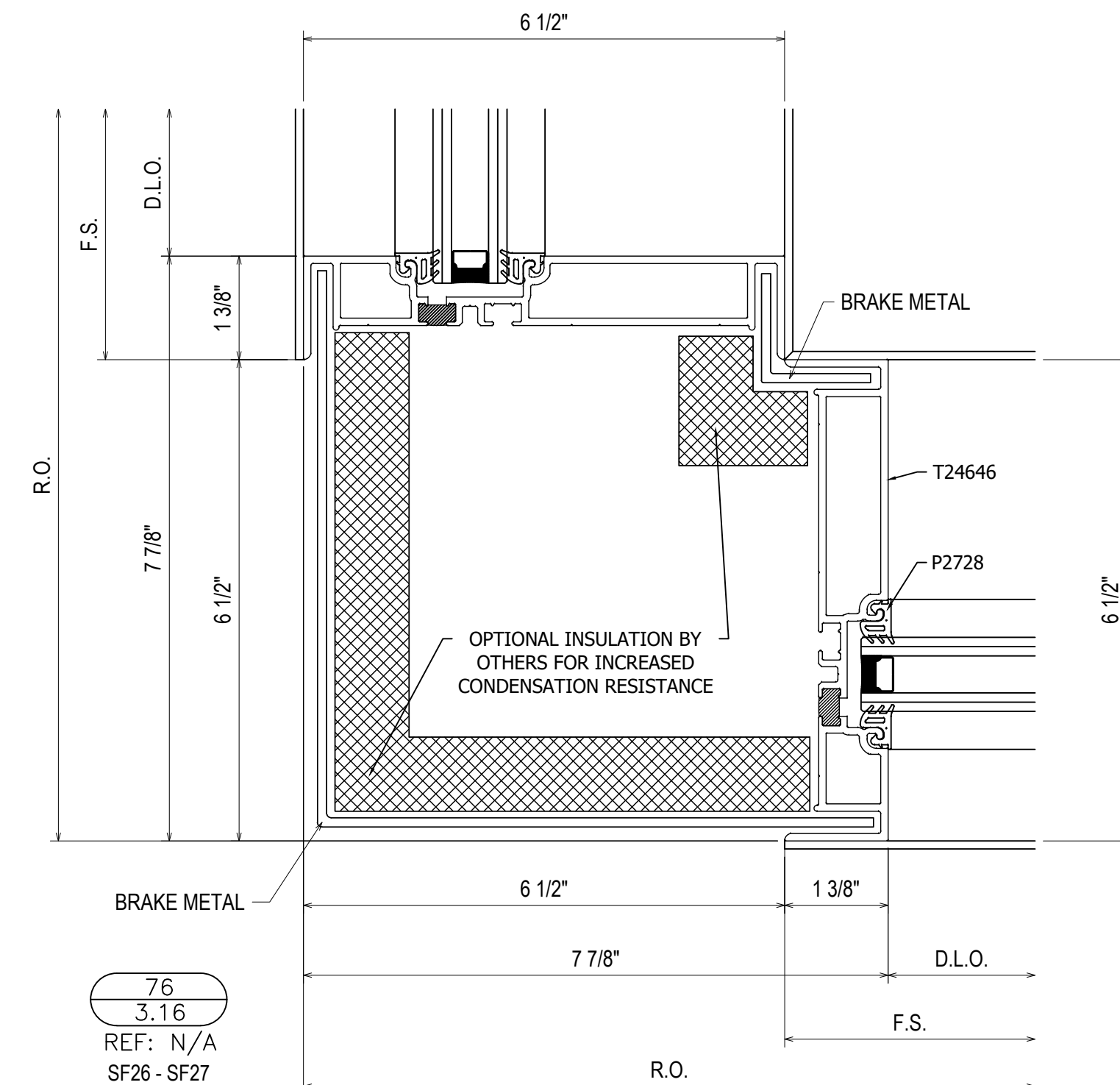
DRAWN BY:	DATE:
DJ	10.3.22
CHECKED BY:	DATE:
RS	10.3.22



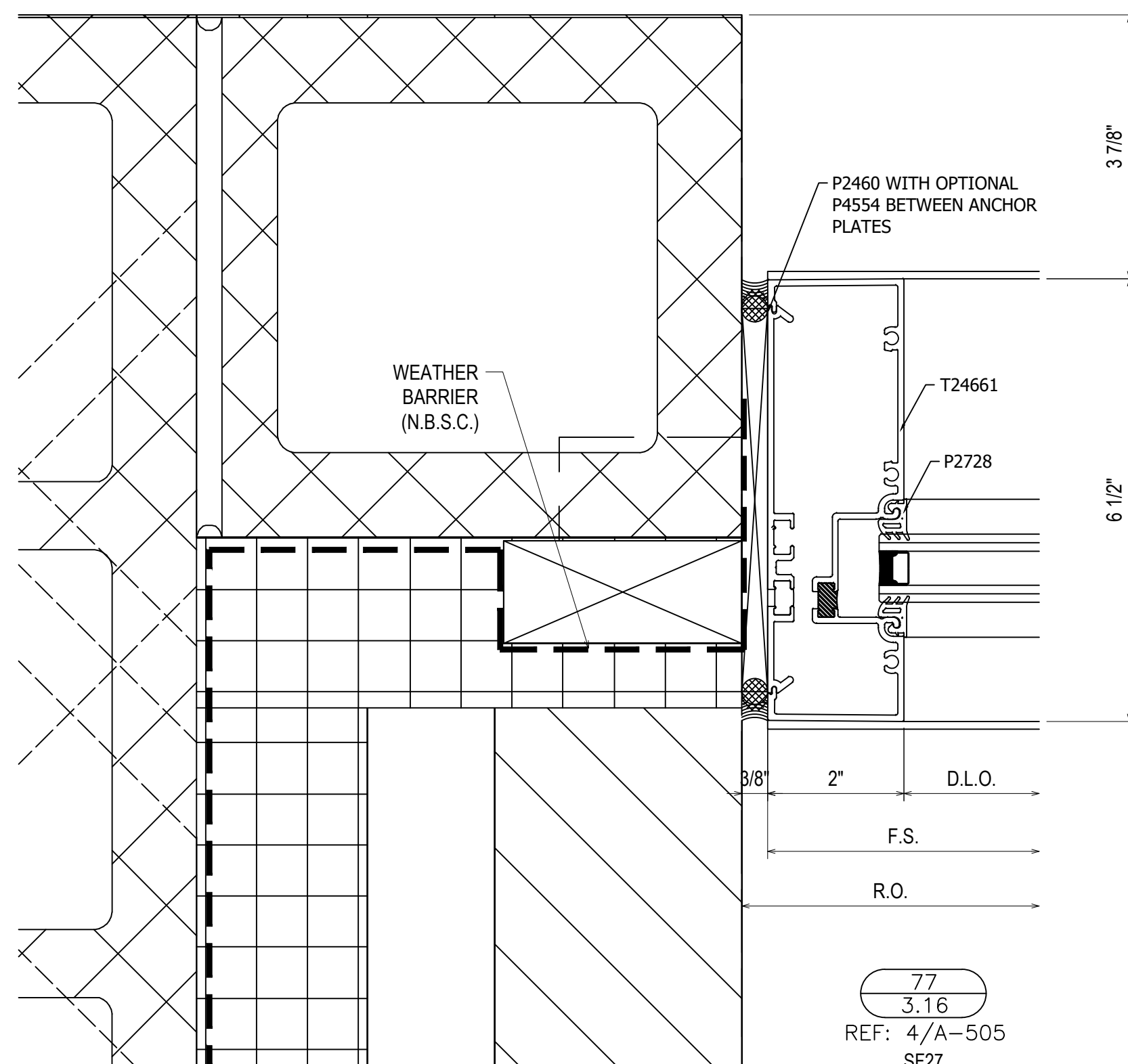
74  
3.16  
REF: N/A  
SF26



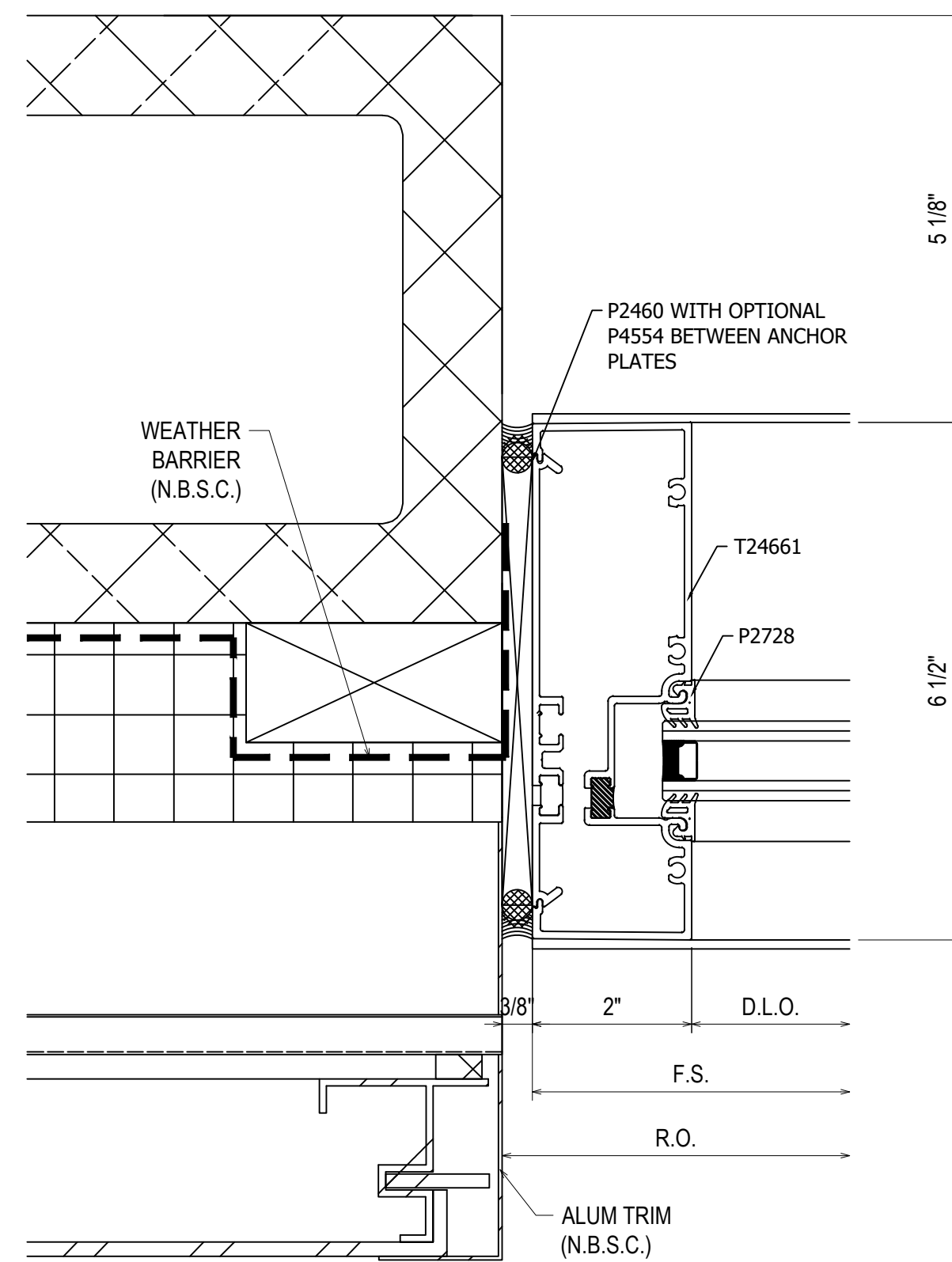
75  
3.16  
REF: 2/A-505  
SF26



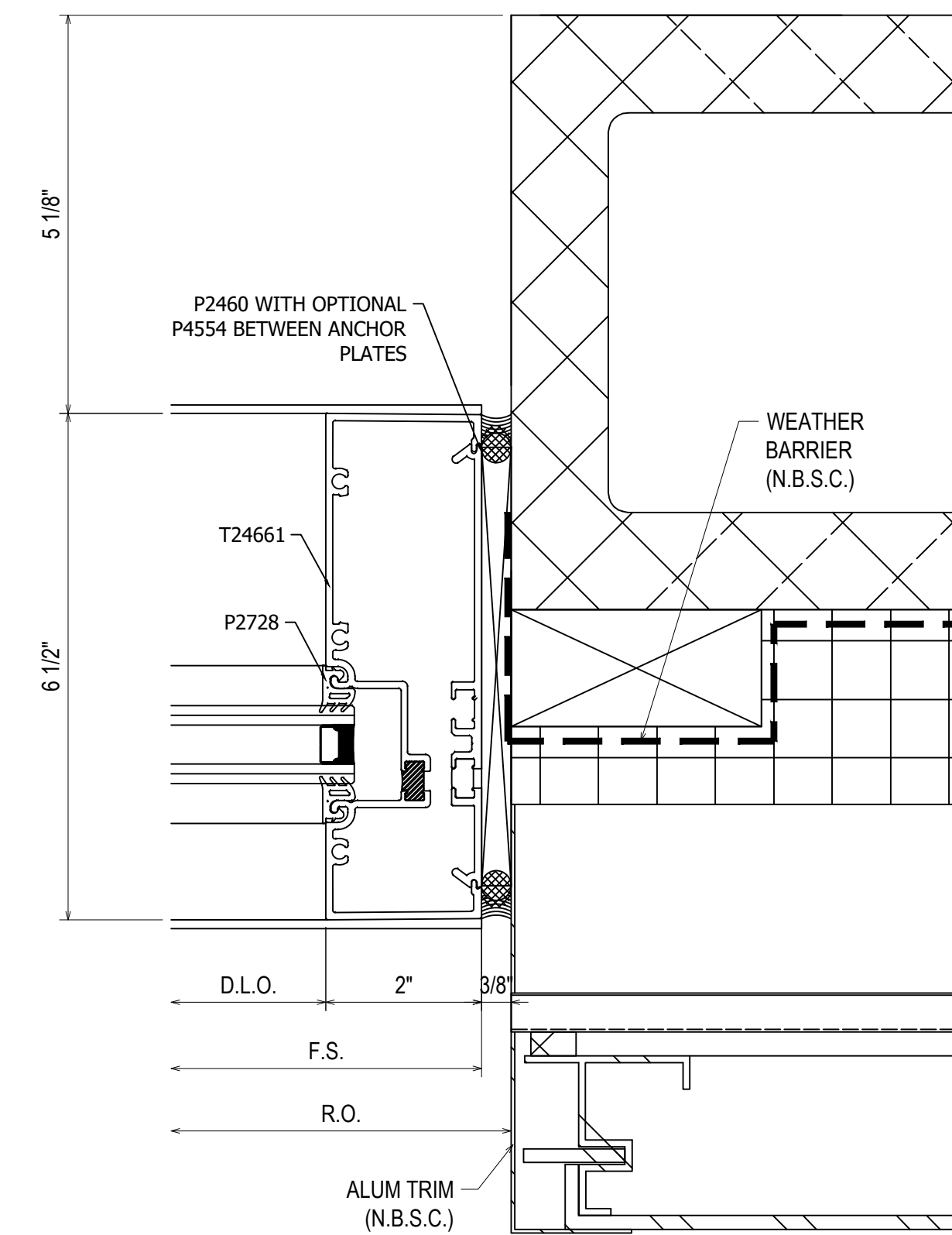
76  
3.16  
REF: N/A  
SF26 - SF27



77  
3.16  
REF: 4/A-505  
SF27



78  
3.16  
REF: 15/A-504  
SF28



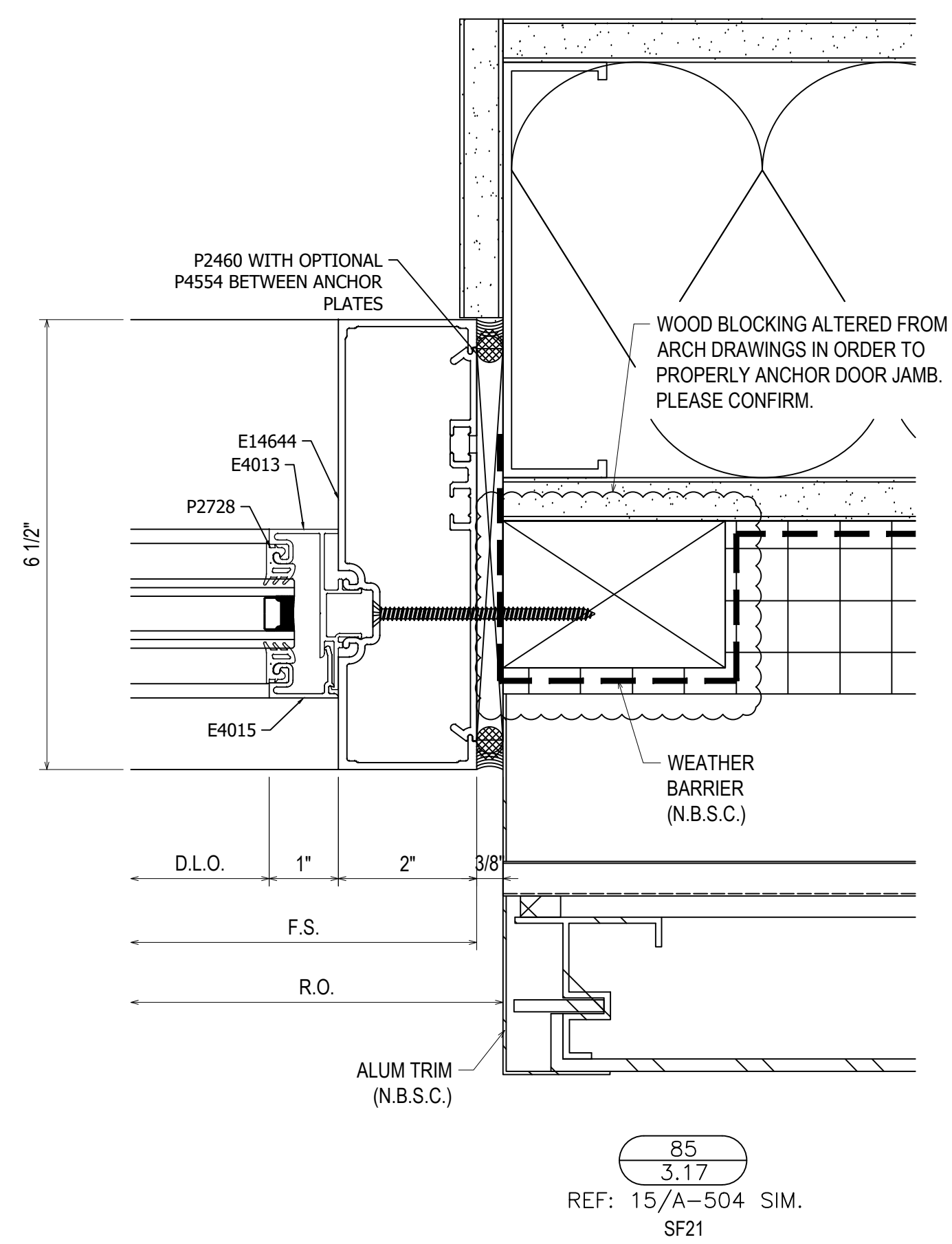
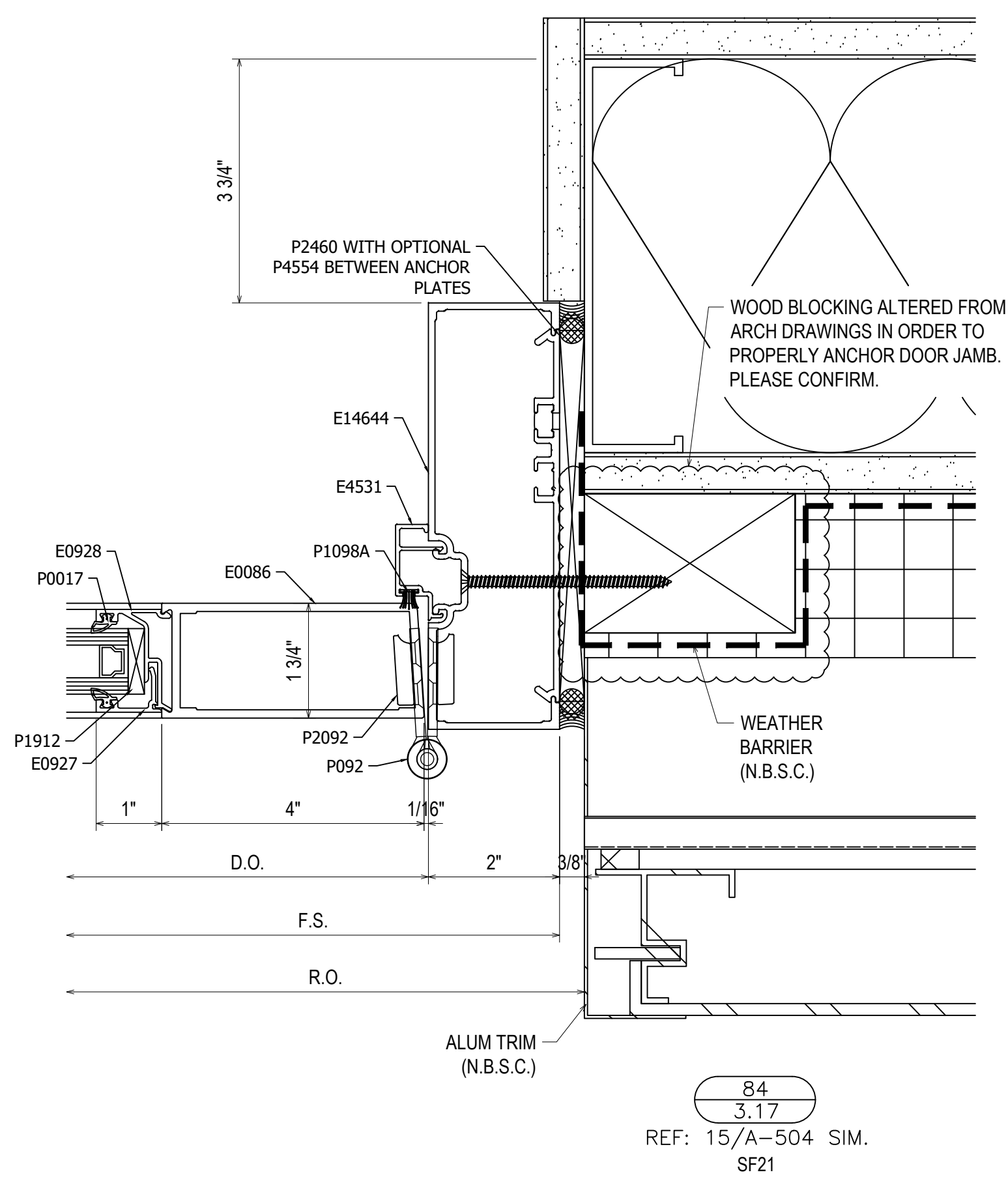
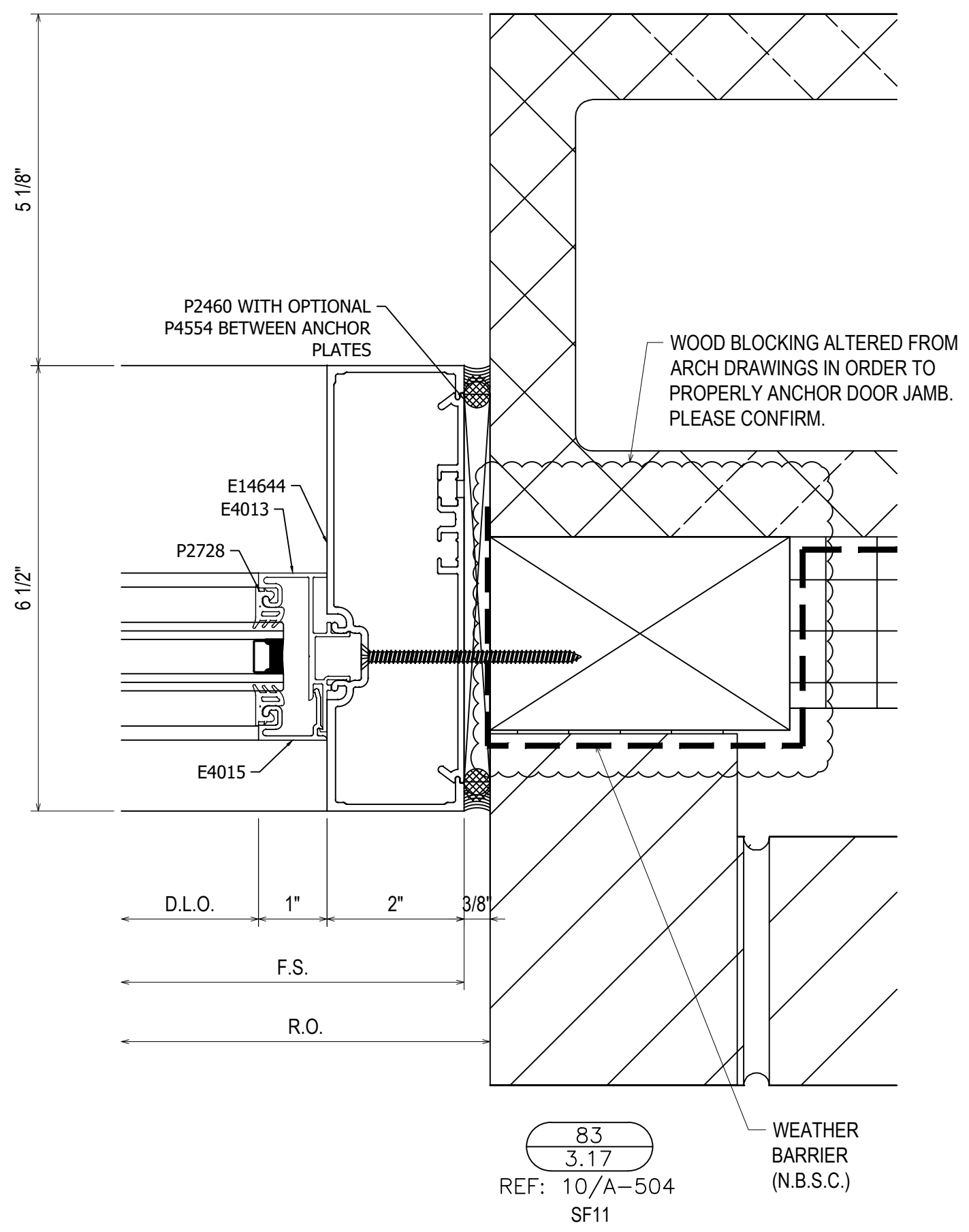
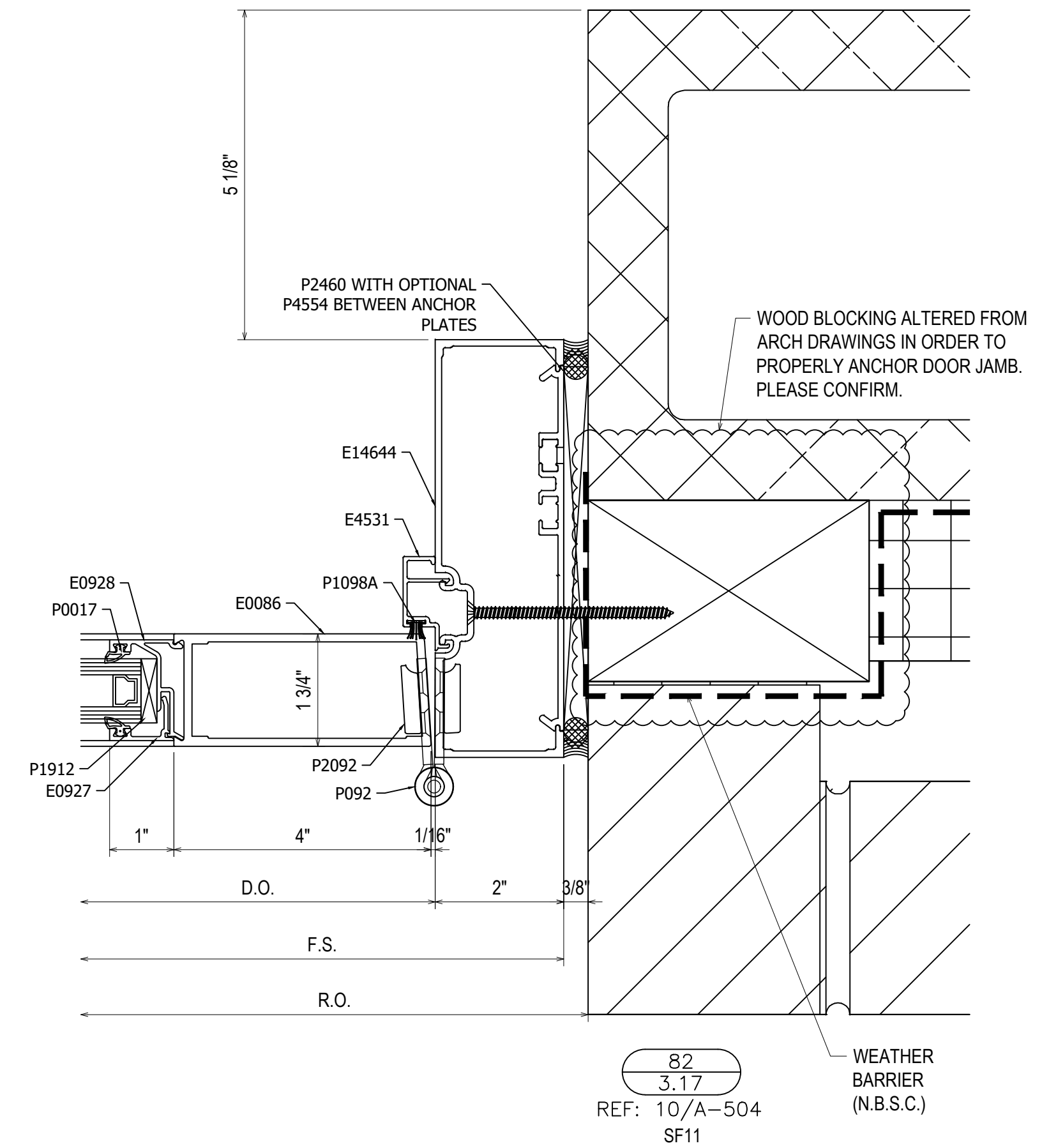
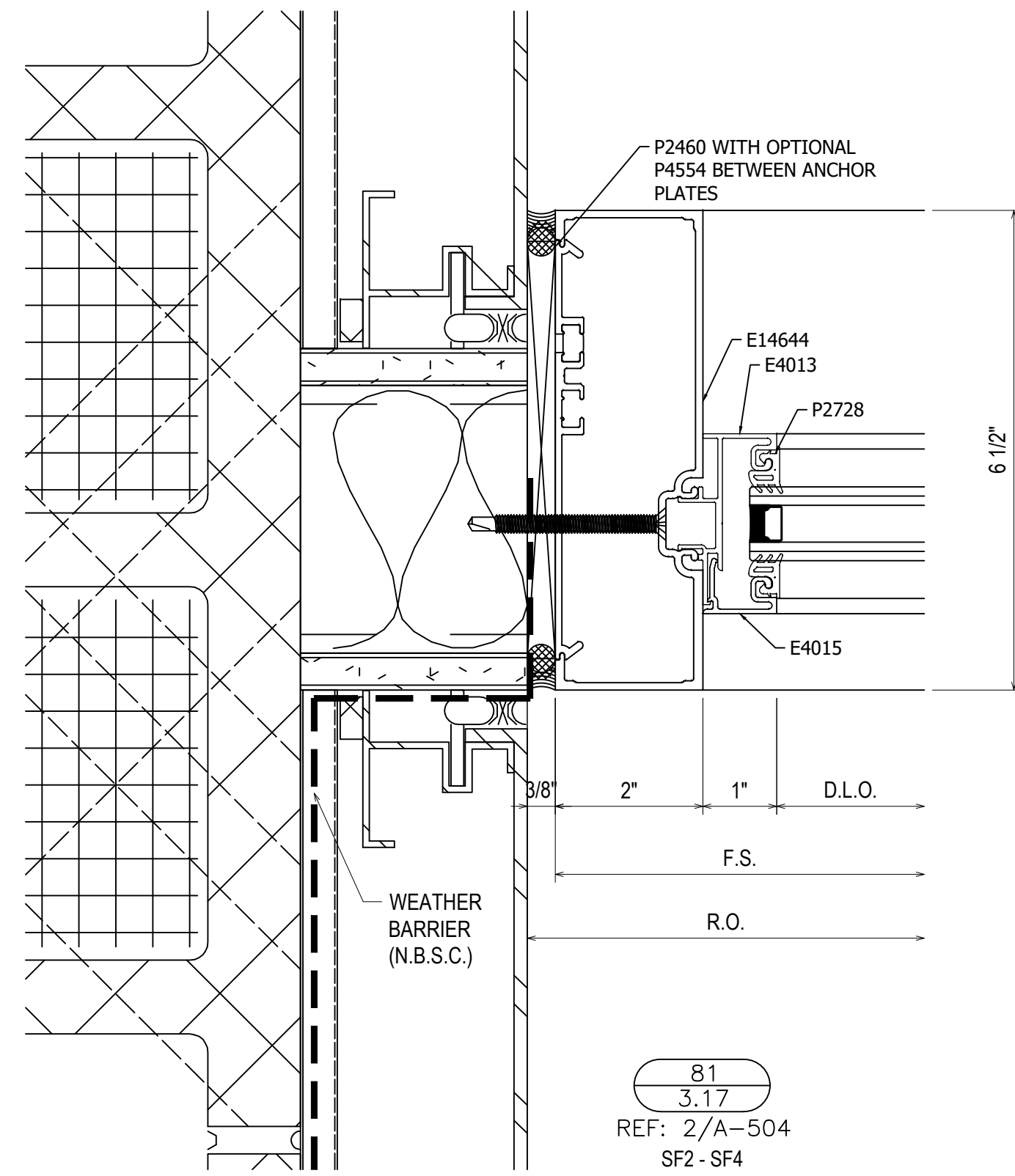
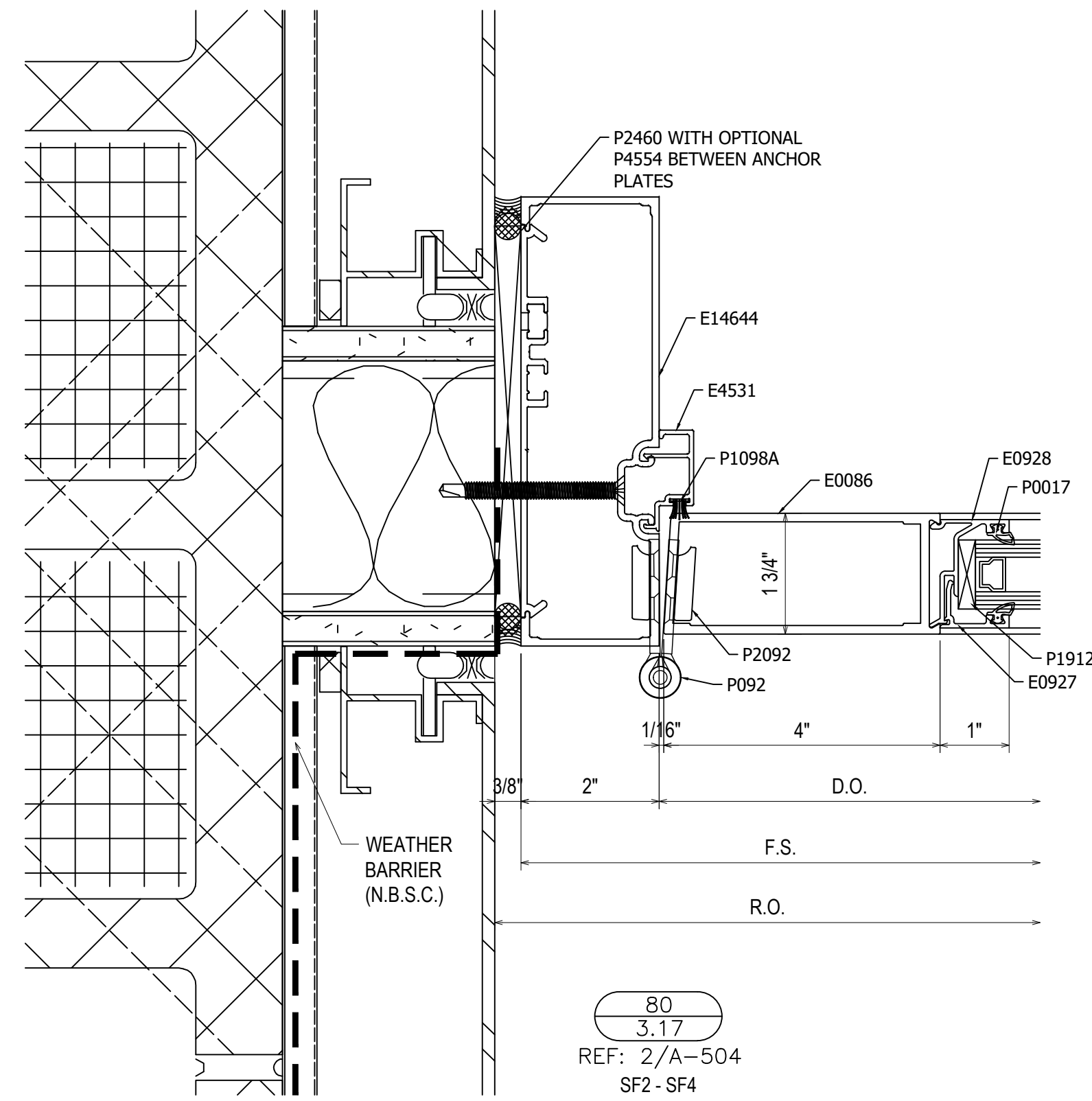
79  
3.16  
REF: 15/A-504  
SF28

NO	DESCRIPTION

**MAYFIELD HEIGHTS AQUATIC AND COMMUNITY CENTER**  
6080 MARSOL AVE.  
MAYFIELD HEIGHTS, OH 44124

SIXTH CITY GLAZING  
11941 ABBEY ROAD, UNIT E  
NORTH ROYALTON, OH 44133

DRAWN BY:	DATE:
DJ	10.3.22
CHECKED BY:	DATE:
RS	10.3.22



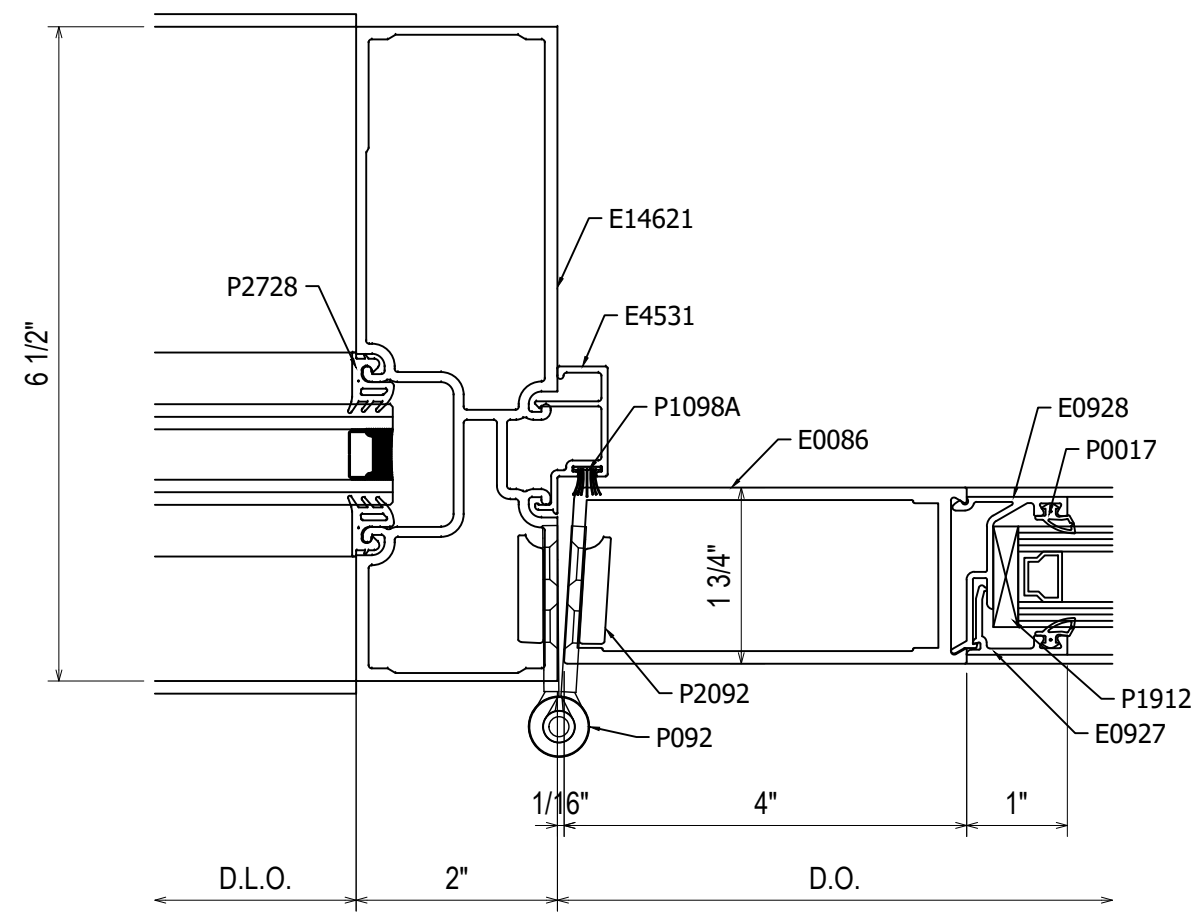
NO	DESCRIPTION
	DRAWING SUBMISSION

**MAYFIELD HEIGHTS AQUATIC AND COMMUNITY CENTER**  
6080 MARSOLA AVE.  
MAYFIELD HEIGHTS, OH 44124

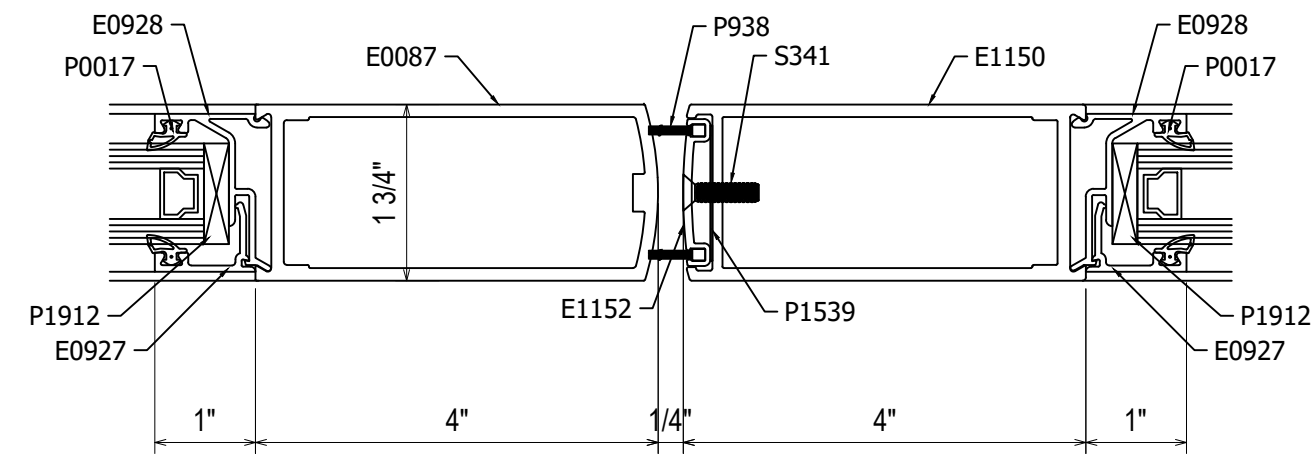
SIXTH CITY GLAZING  
11941 ABBEY ROAD, UNIT E  
NORTH ROYALTON, OH 44133

DRAWN BY:	DATE:
DJ	10.3.22
CHECKED BY:	DATE:
RS	10.3.22

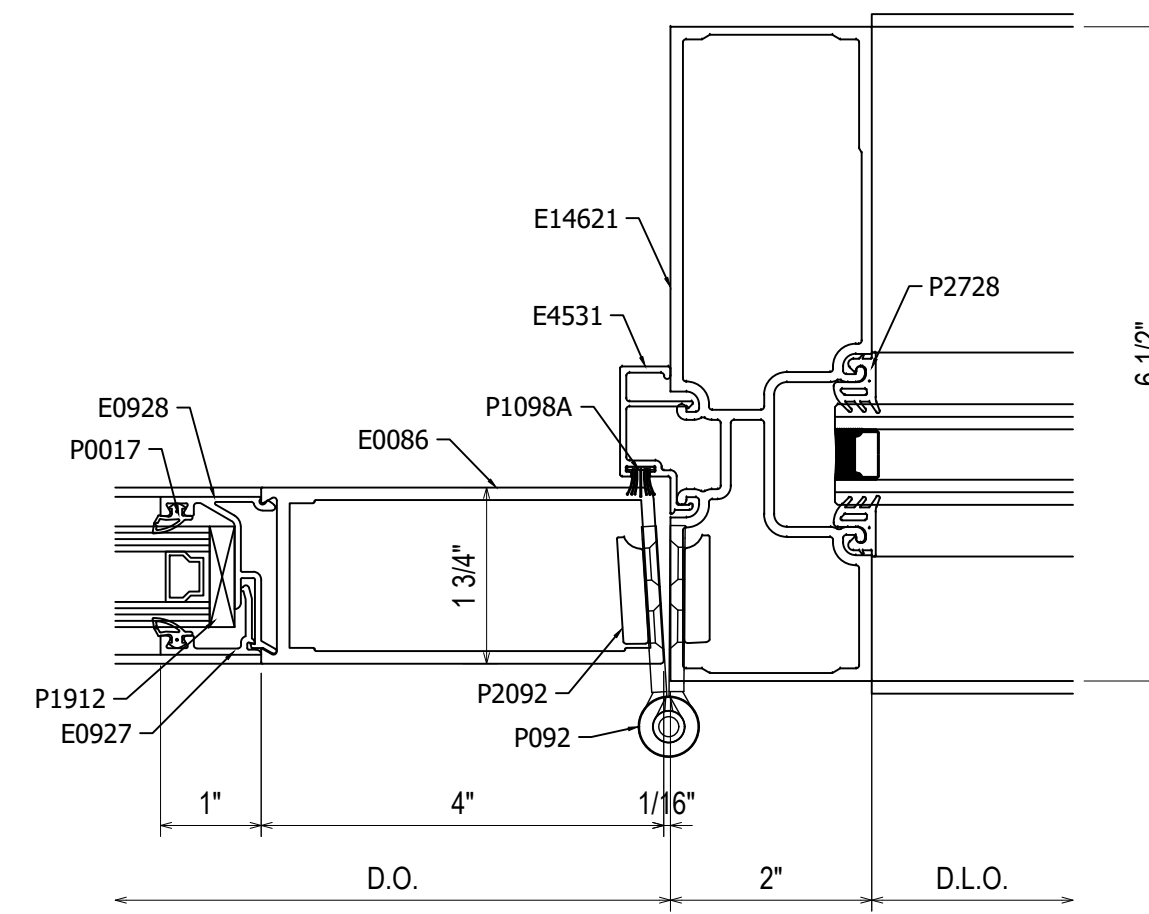




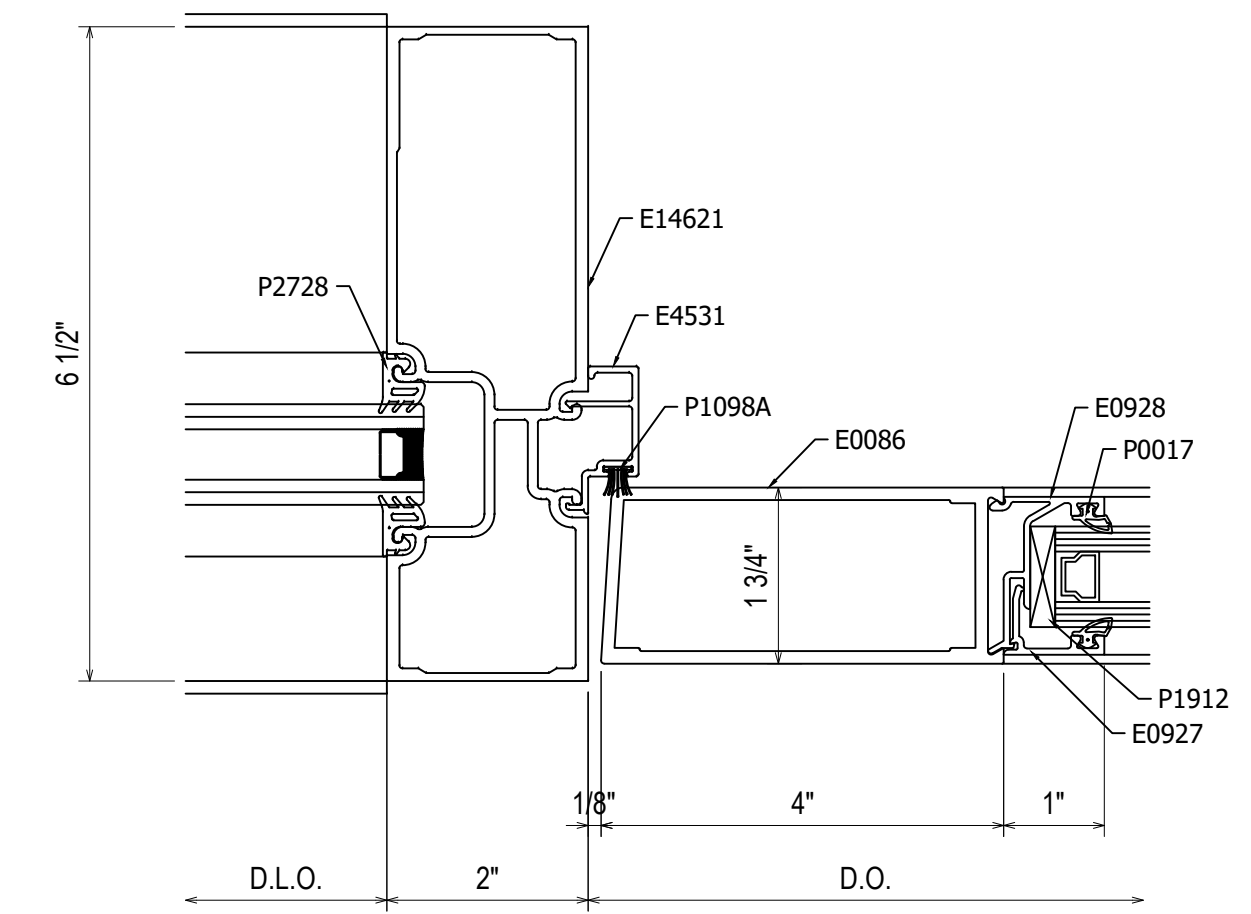
86  
3.18  
REF: N/A  
SF3 - SF23



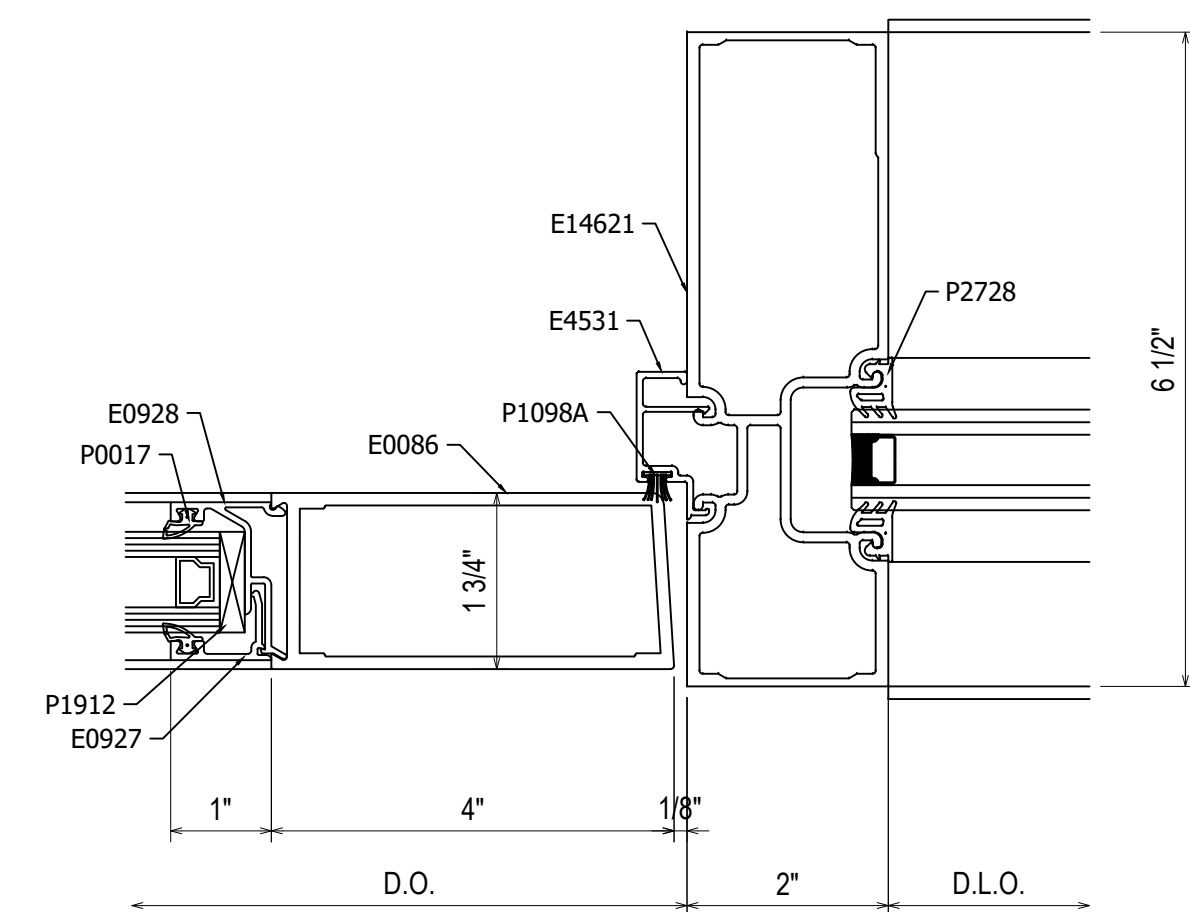
87  
3.18  
REF: N/A  
SF3 - SF23



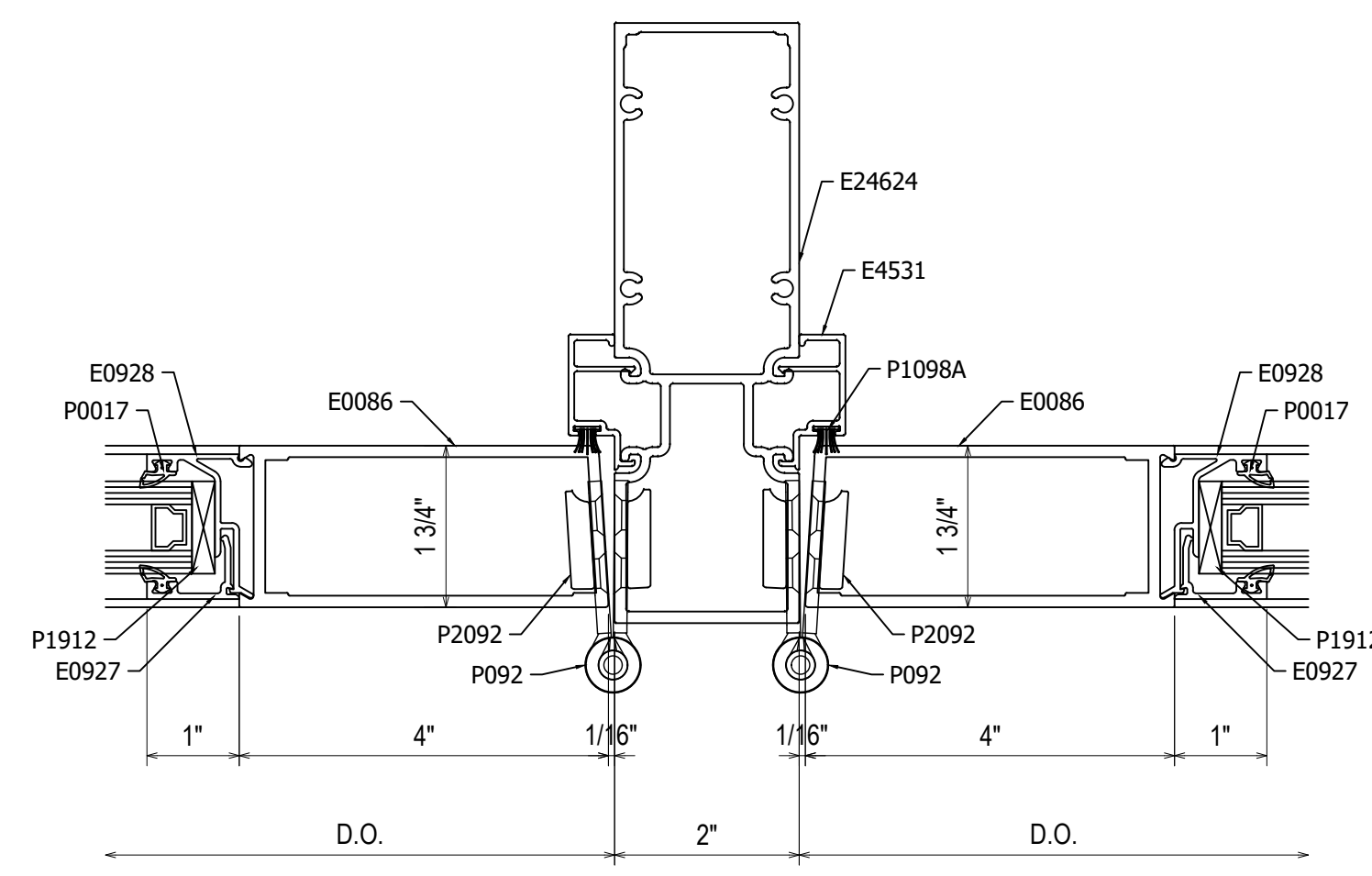
88  
3.18  
REF: N/A  
SF3 - SF23



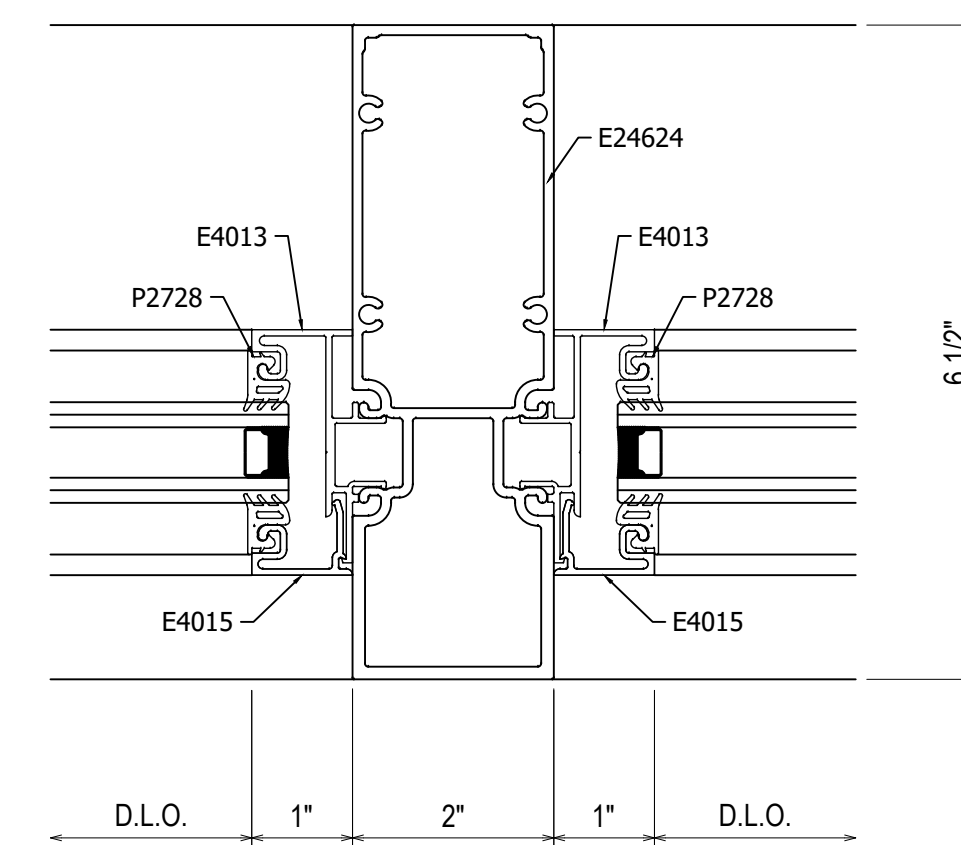
89  
3.18  
REF: N/A  
SF11 - SF21



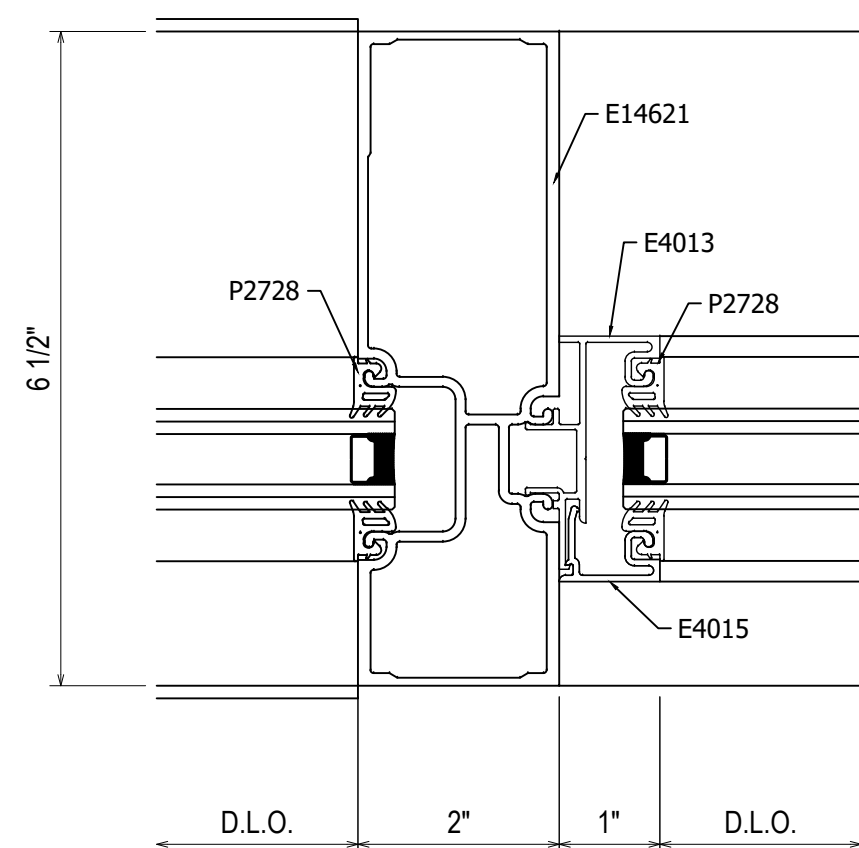
90  
3.18  
REF: N/A  
SF2 - SF4



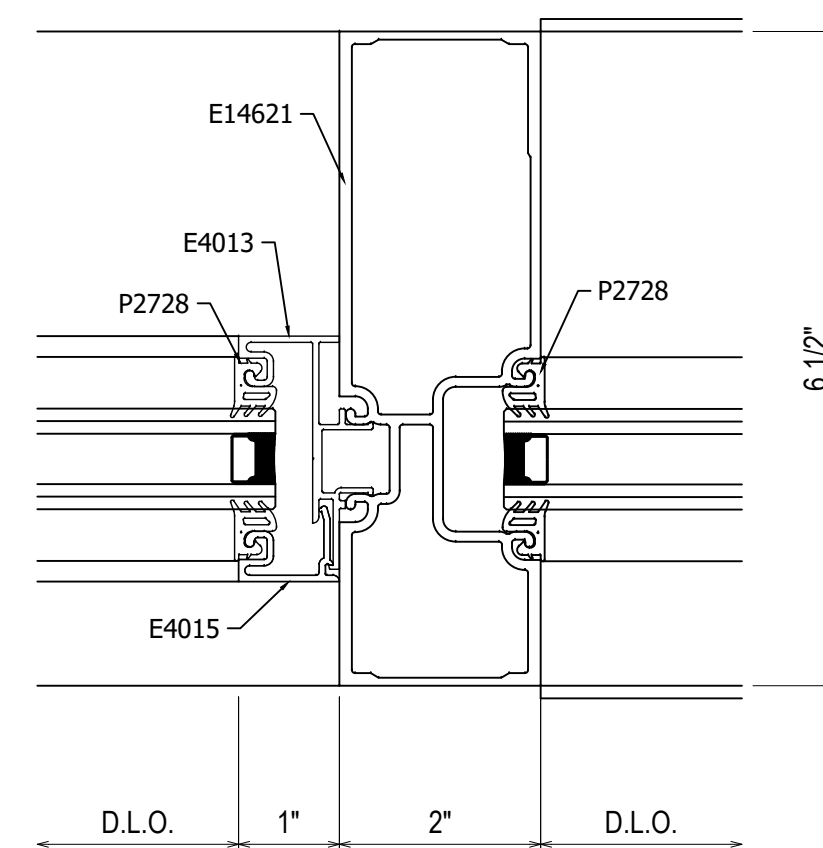
91  
3.18  
REF: N/A  
SF23



92  
3.18  
REF: N/A  
SF23



93  
3.18  
REF: N/A  
SF3 - SF11 - SF21 - SF23



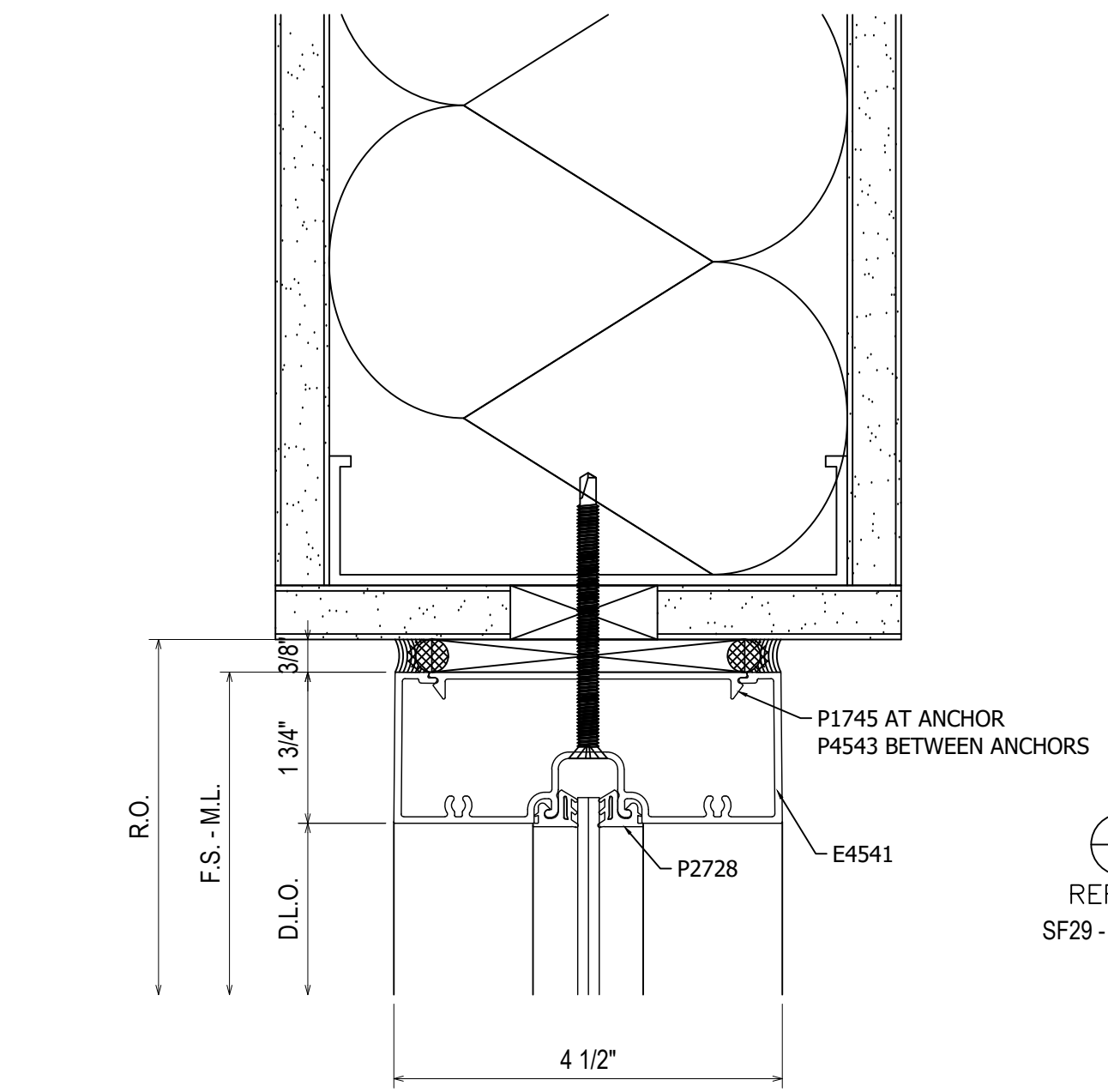
94  
3.18  
REF: N/A  
SF2 - SF3 - SF4 - SF23

NO	DESCRIPTION	DRAWING SUBMISSION

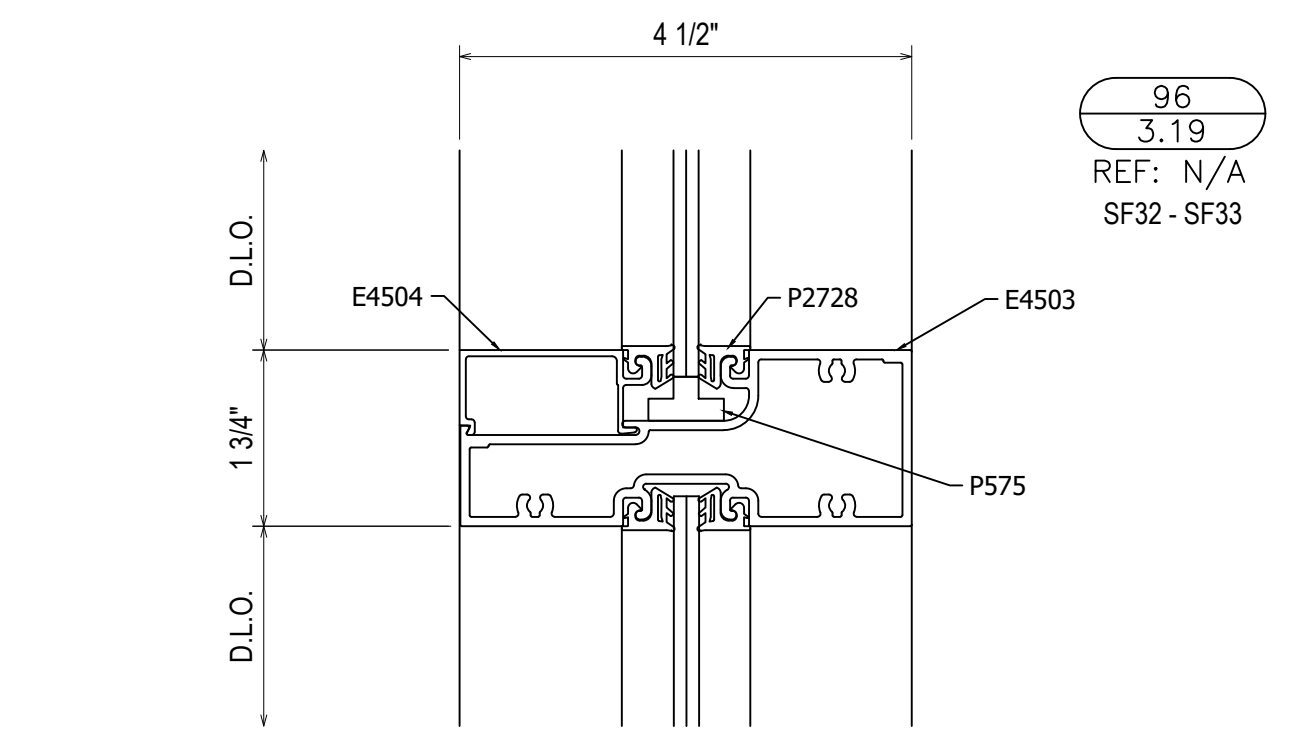
**MAYFIELD HEIGHTS AQUATIC AND COMMUNITY CENTER**  
6080 MARSOL AVE.  
MAYFIELD HEIGHTS, OH 44124

SIXTH CITY GLAZING  
11941 ABBEY ROAD, UNIT E  
NORTH ROYALTON, OH 44133

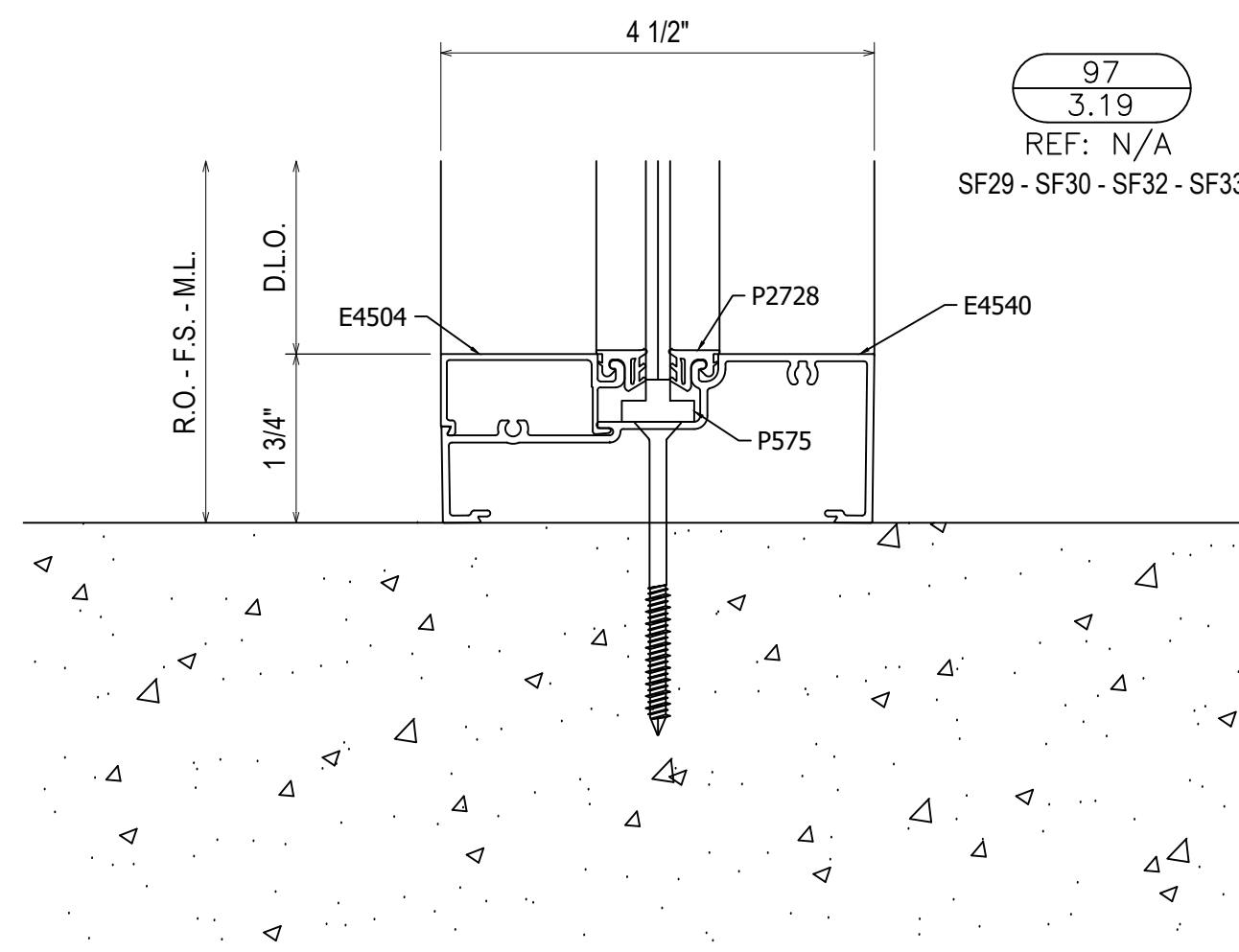
DRAWN BY: DJ	DATE: 10.3.22
CHECKED BY: RS	DATE: 10.3.22



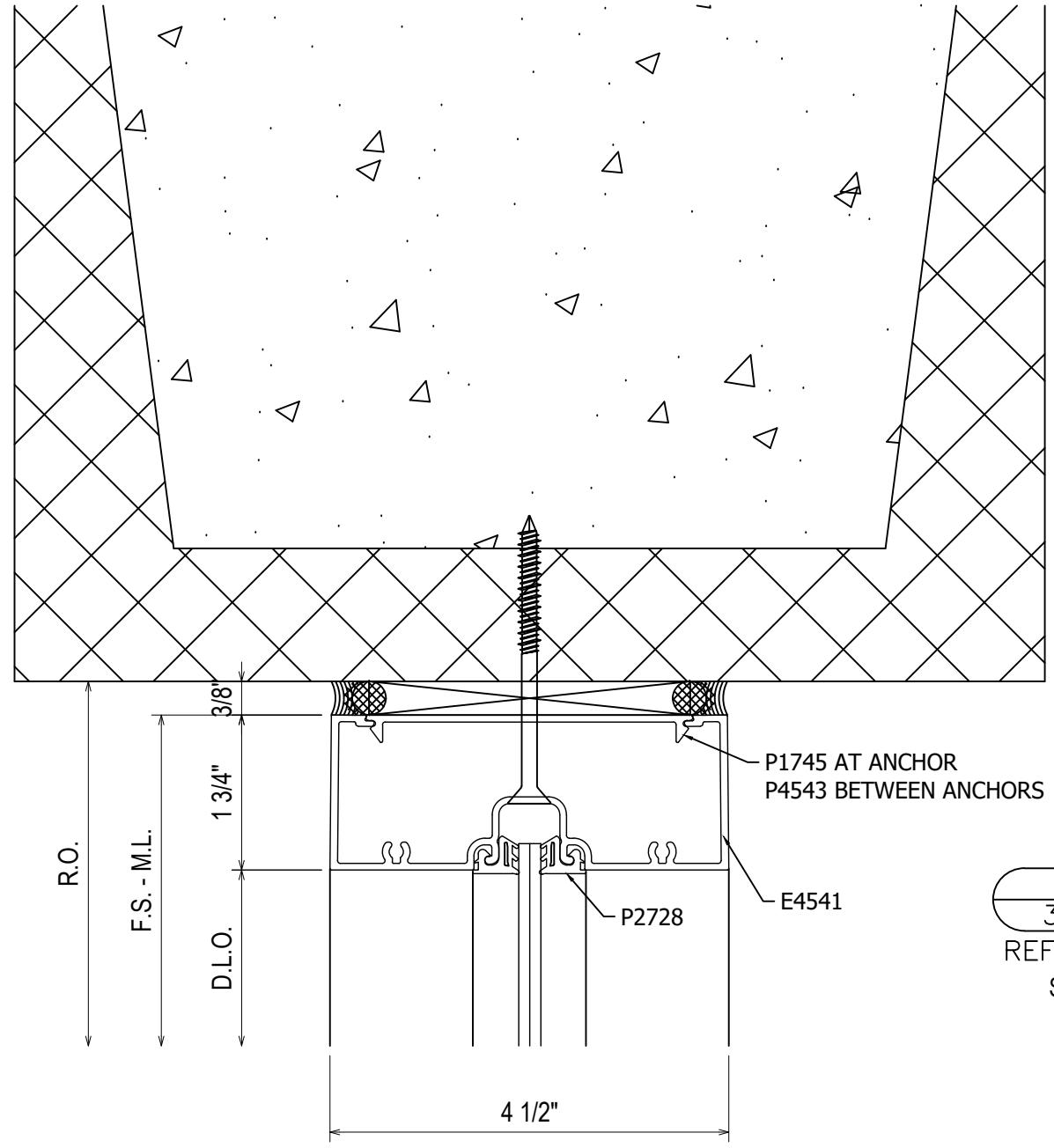
95  
3.19  
REF: 9/A-601  
SF29 - SF32 - SF33 - SF34



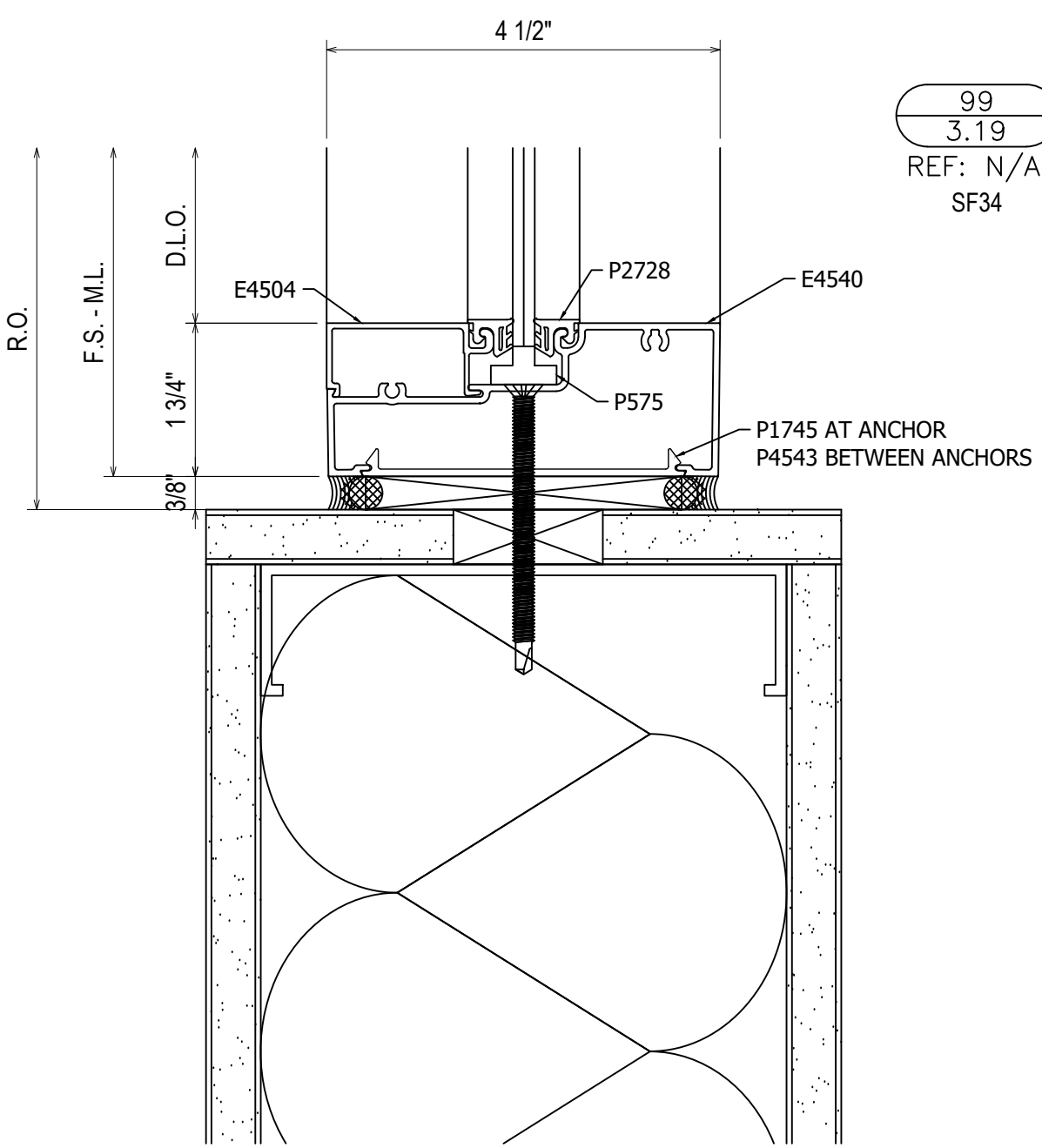
96  
3.19  
REF: N/A  
SF32 - SF33



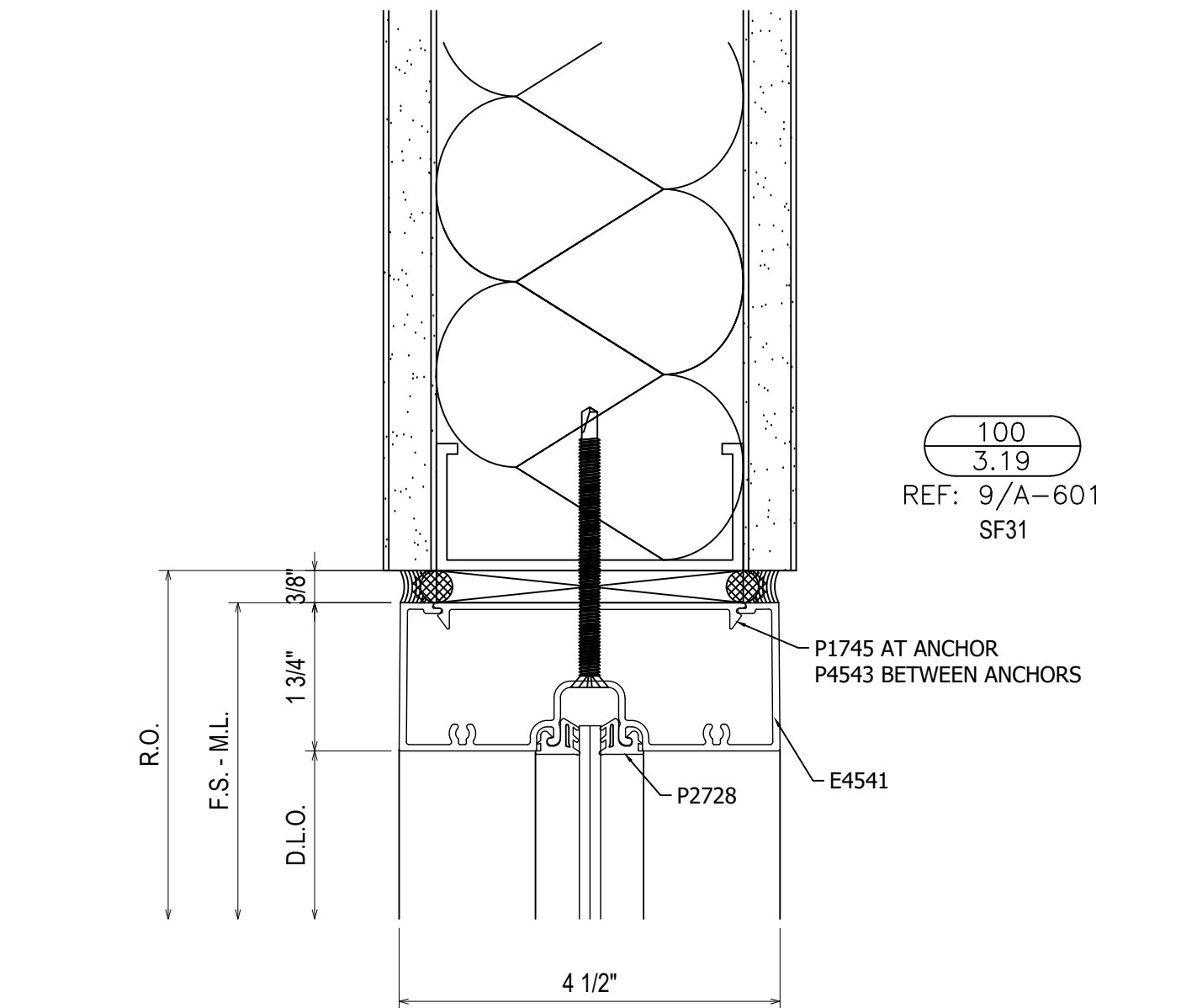
97  
3.19  
REF: N/A  
SF29 - SF30 - SF32 - SF33



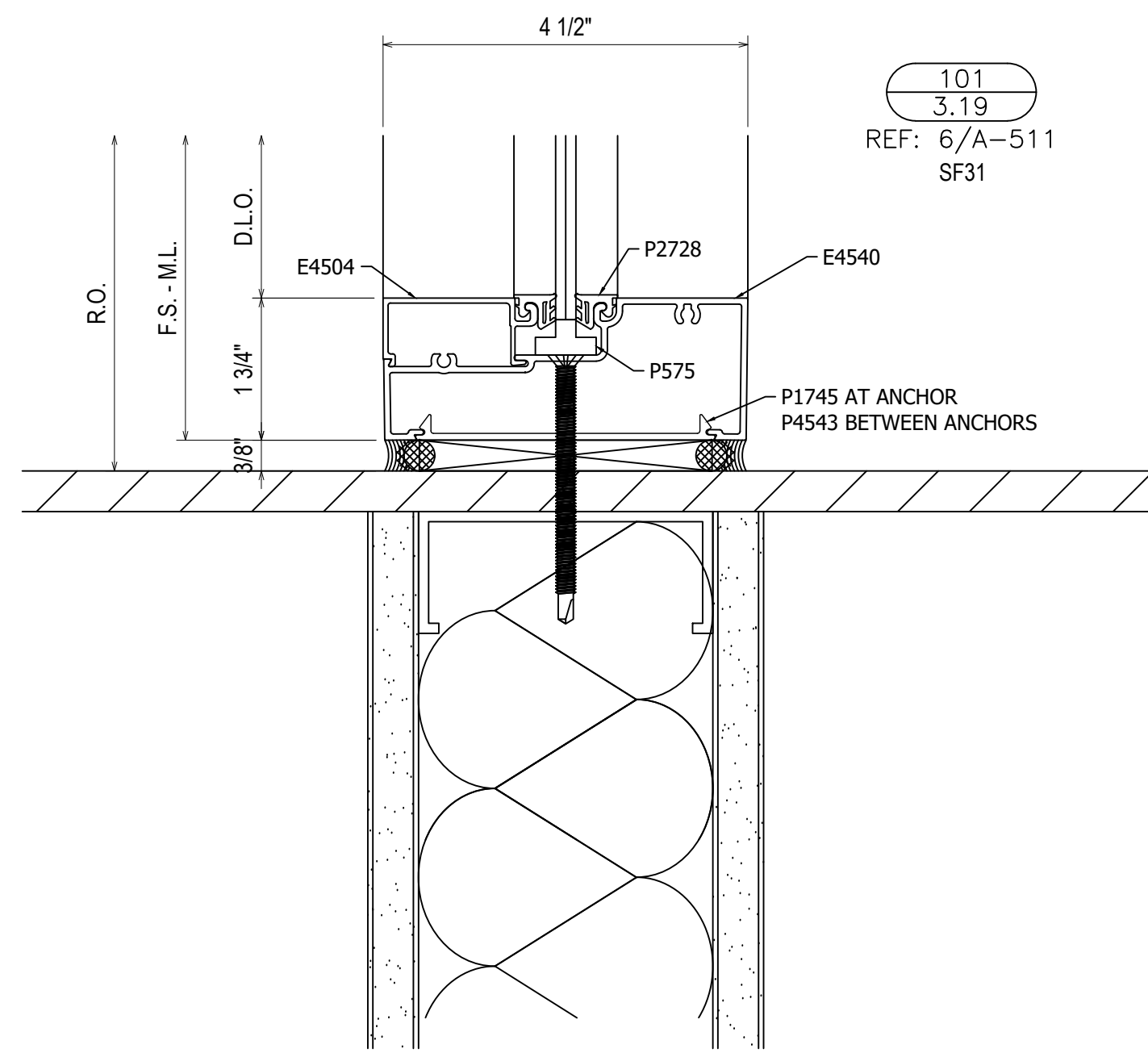
98  
3.19  
REF: N/A  
SF30



99  
3.19  
REF: N/A  
SF34



100  
3.19  
REF: 9/A-601  
SF31



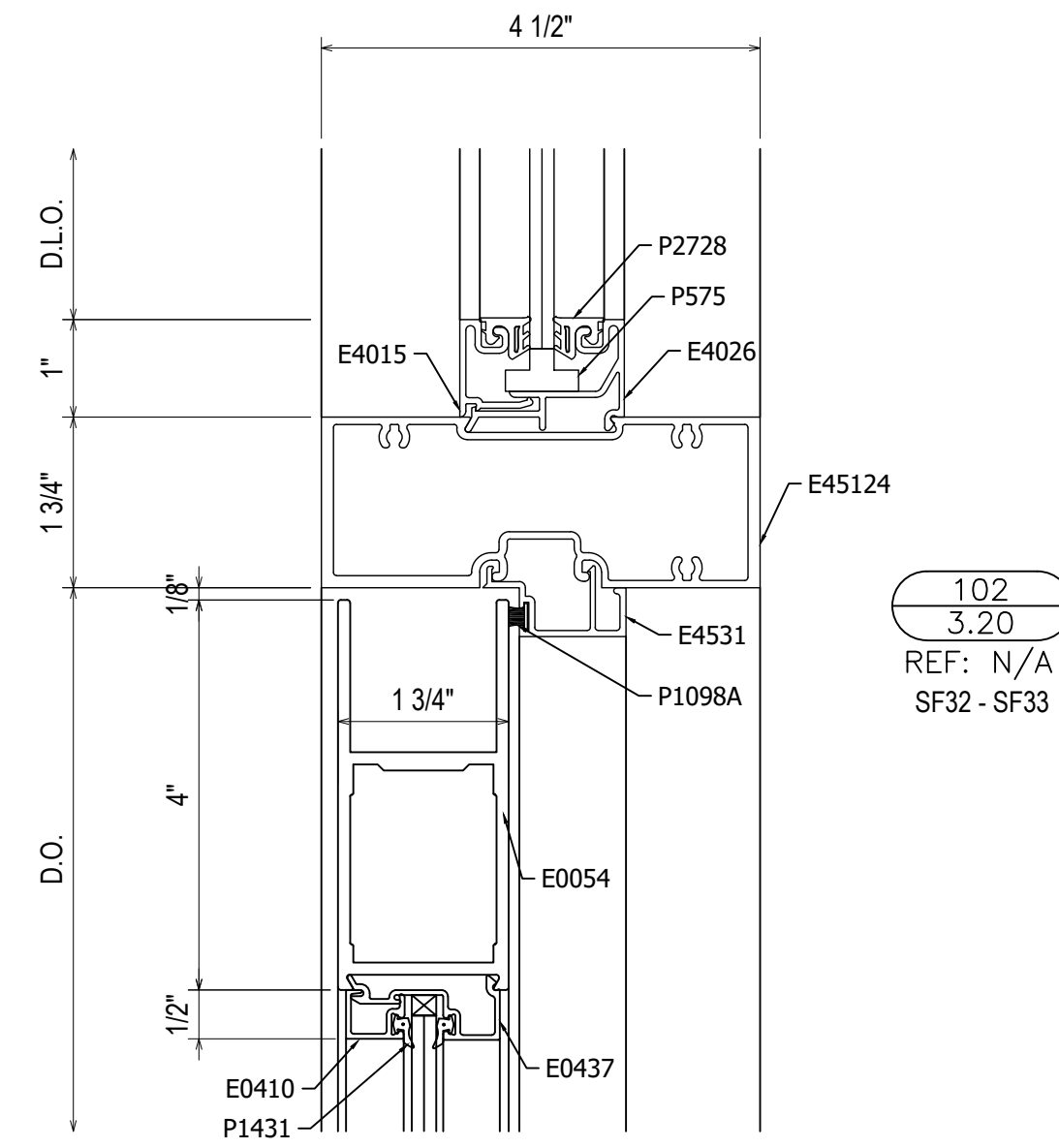
101  
3.19  
REF: 6/A-511  
SF31

SIXTH CITY GLAZING  
11941 ABBEY ROAD, UNIT E  
NORTH ROYALTON, OH 44133

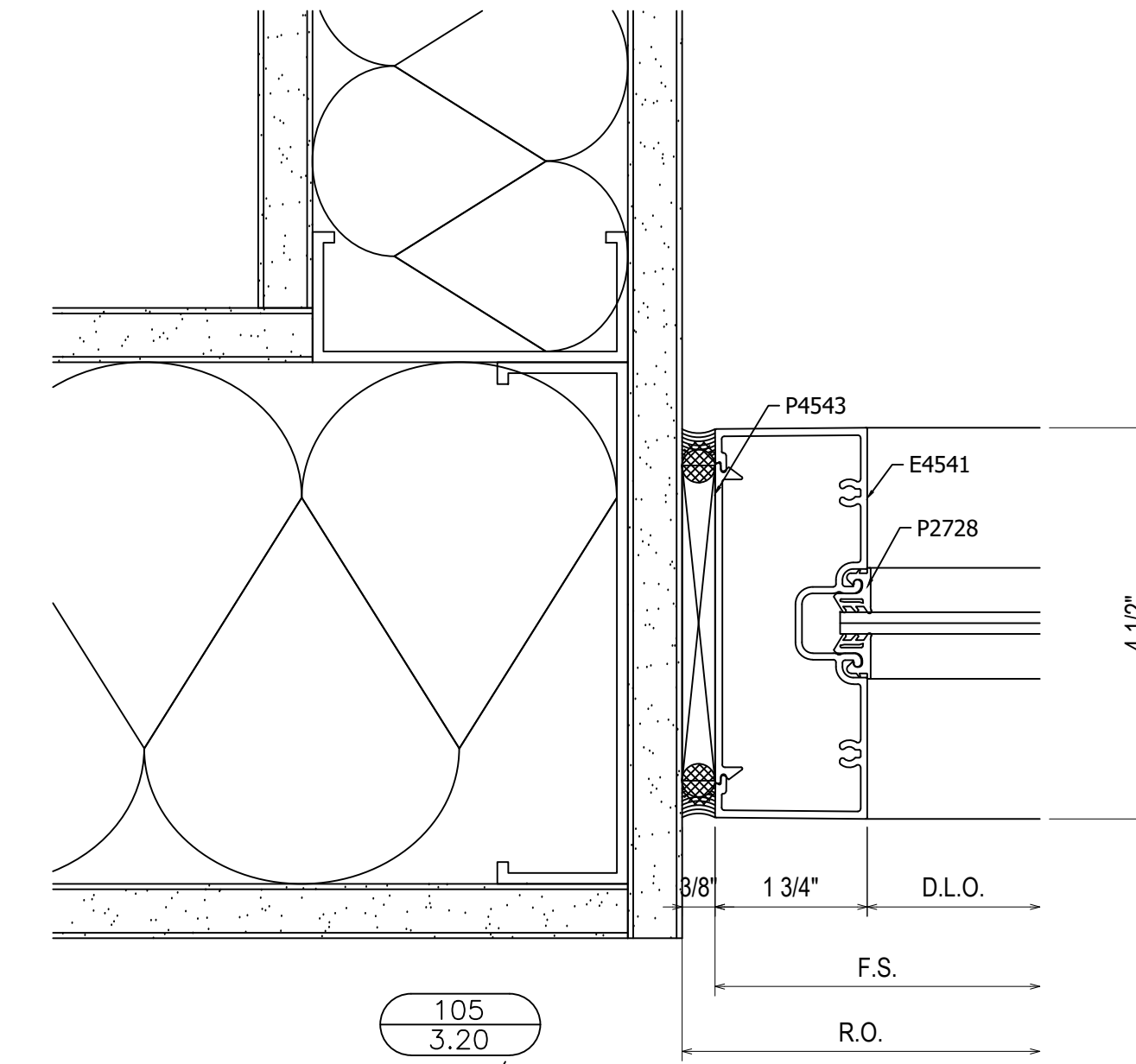
MAYFIELD HEIGHTS AQUATIC AND COMMUNITY CENTER  
6080 MARSOLA AVE.  
MAYFIELD HEIGHTS, OH 44124

NO	DESCRIPTION

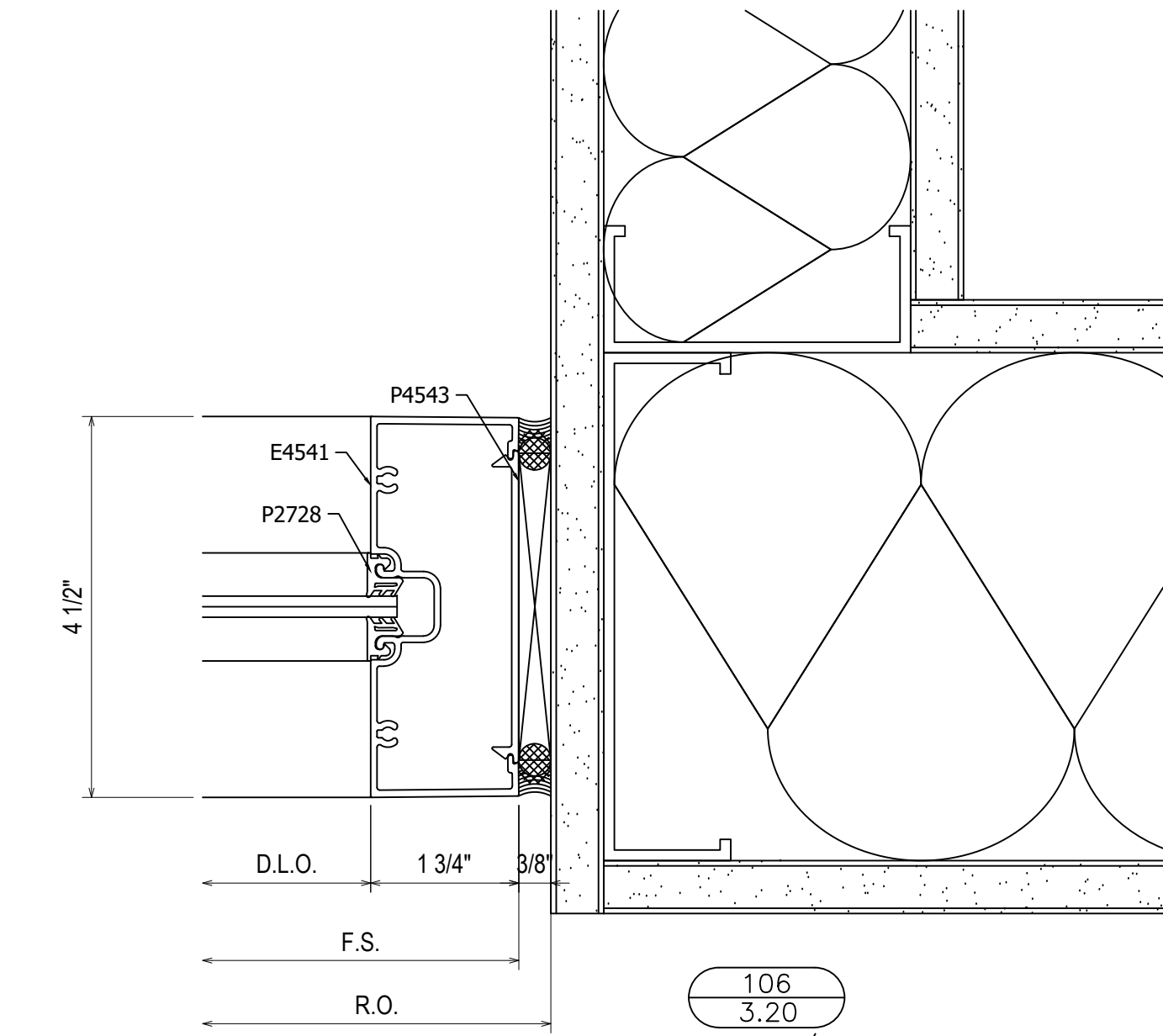
DRAWN BY:	DATE:
DJ	10.3.22
CHECKED BY:	DATE:
RS	10.3.22



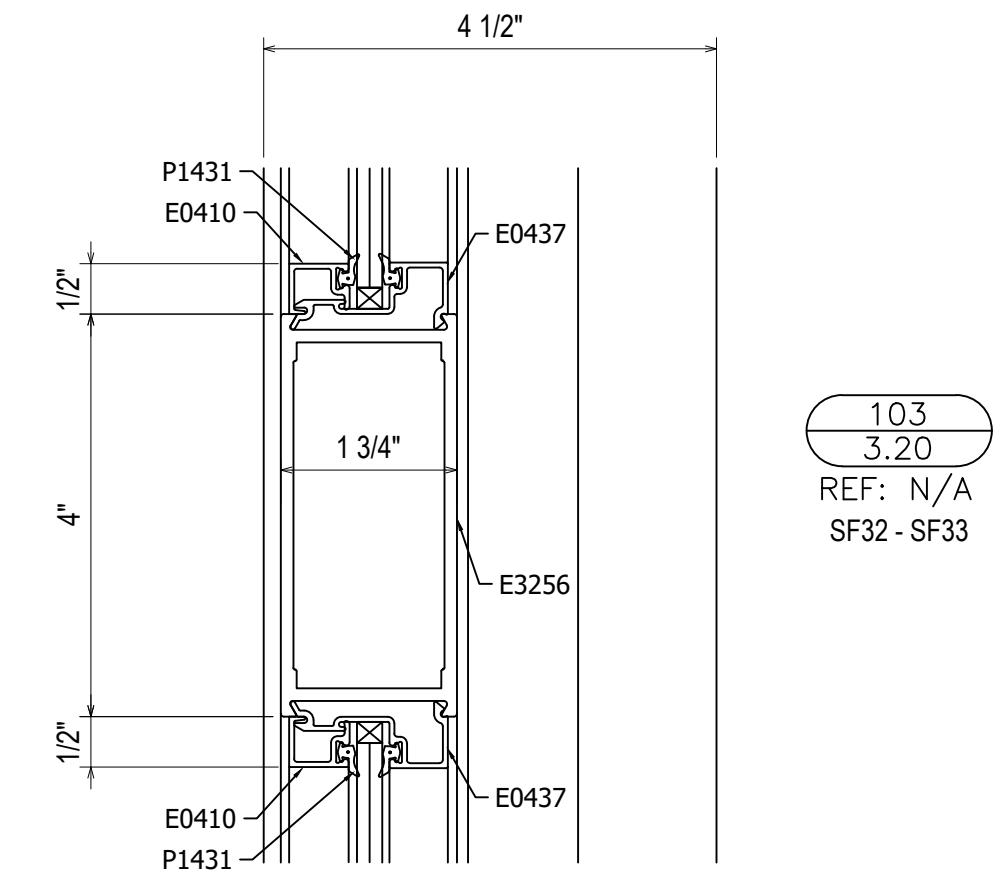
102  
3.20  
REF: N/A  
SF32 - SF33



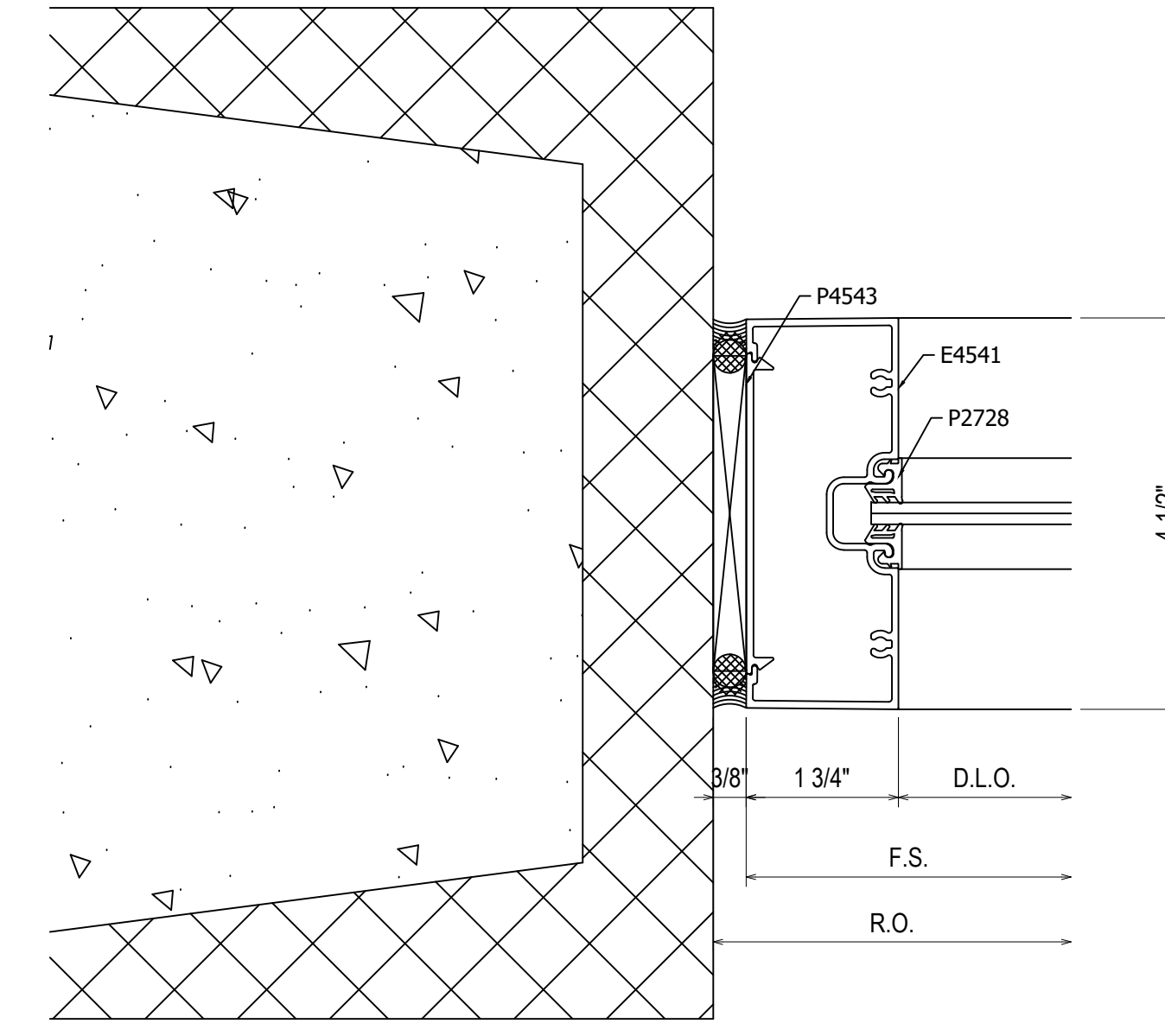
105  
3.20  
REF: N/A  
SF29 - SF33



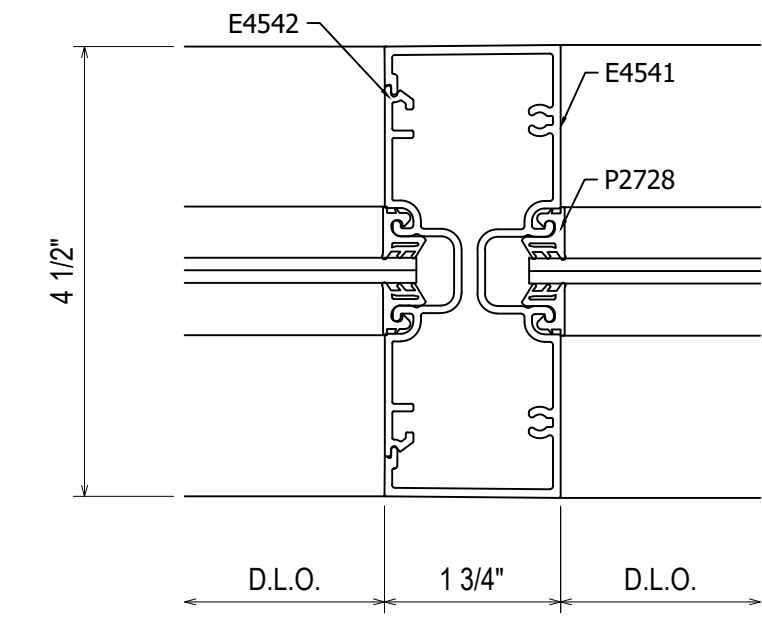
106  
3.20  
REF: N/A  
SF29



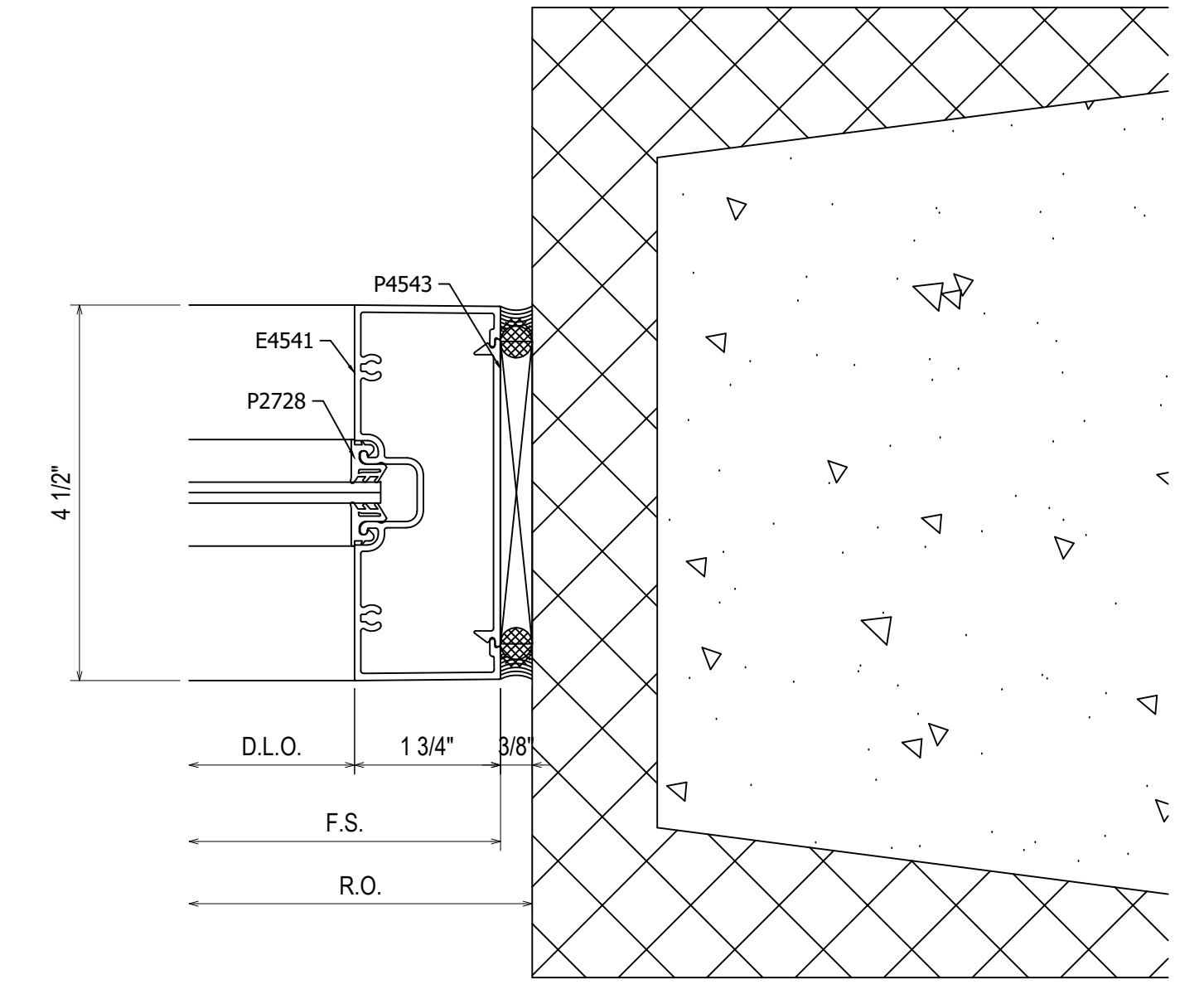
103  
3.20  
REF: N/A  
SF32 - SF33



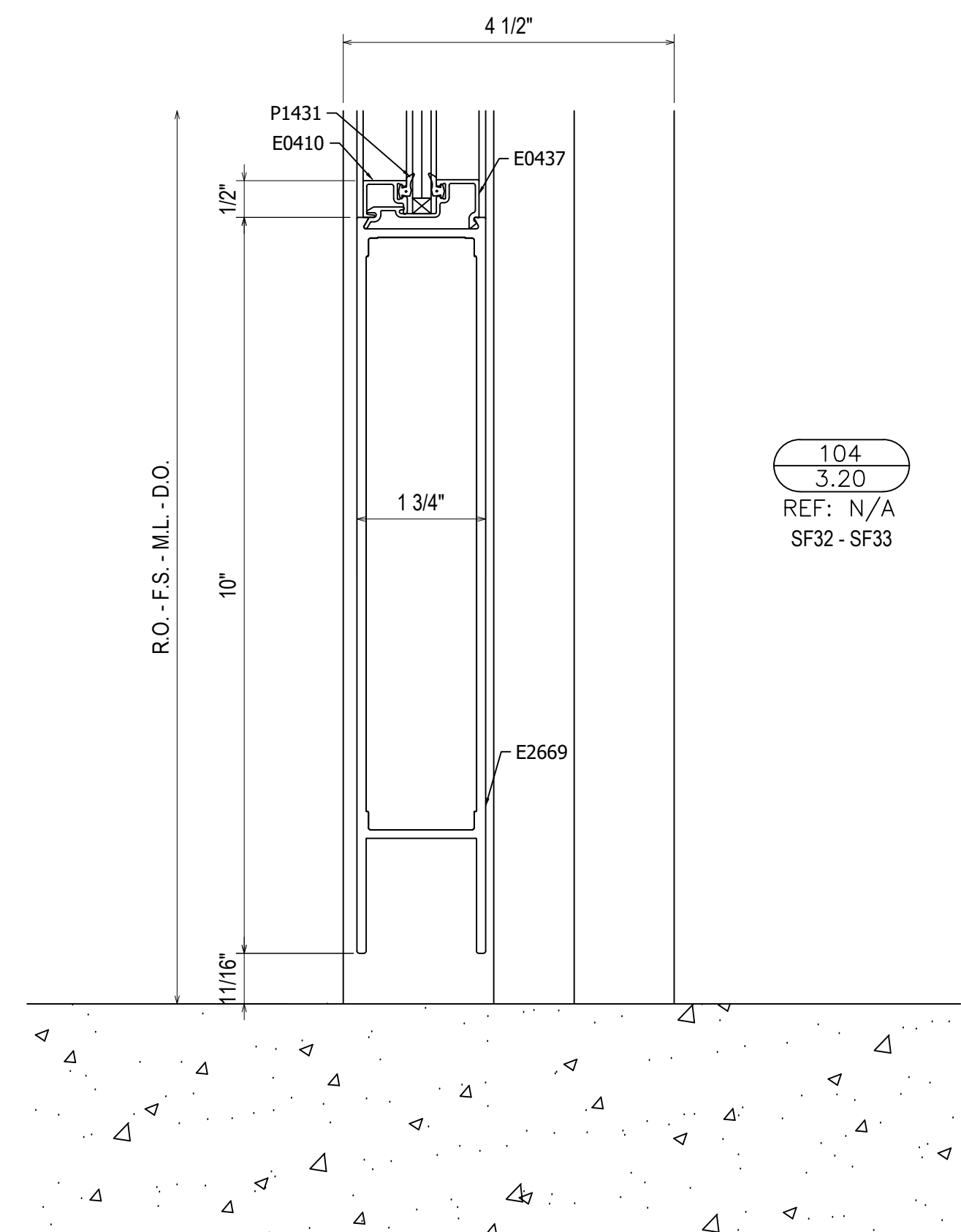
107  
3.20  
REF: N/A  
SF30



108  
3.20  
REF: N/A  
SF30



109  
3.20  
REF: N/A  
SF30



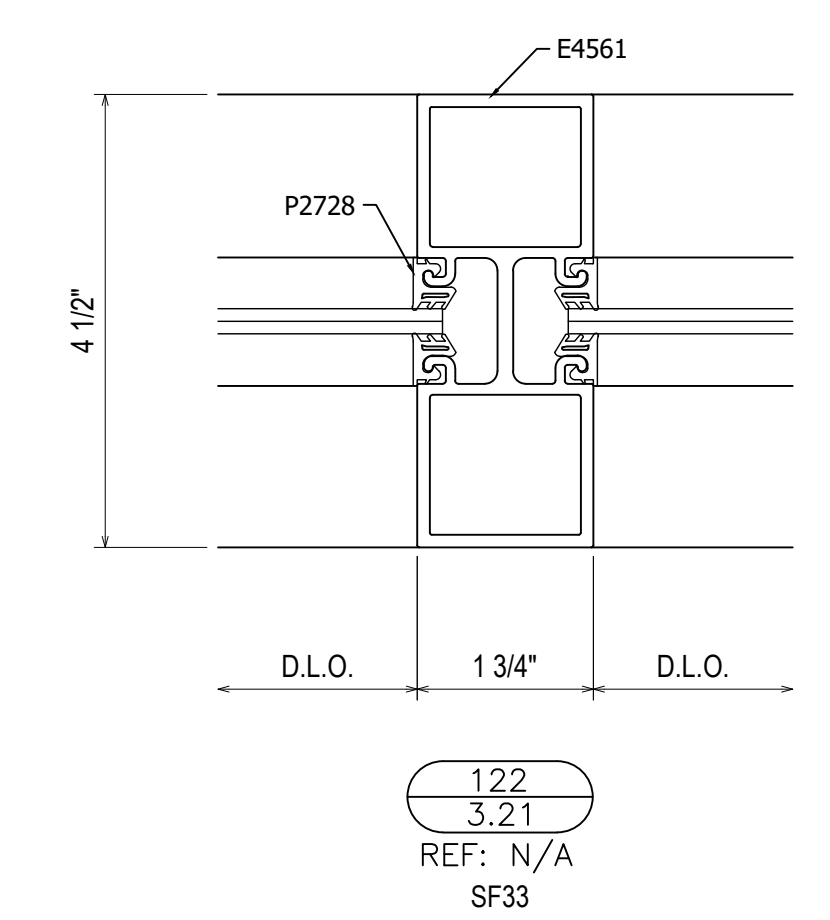
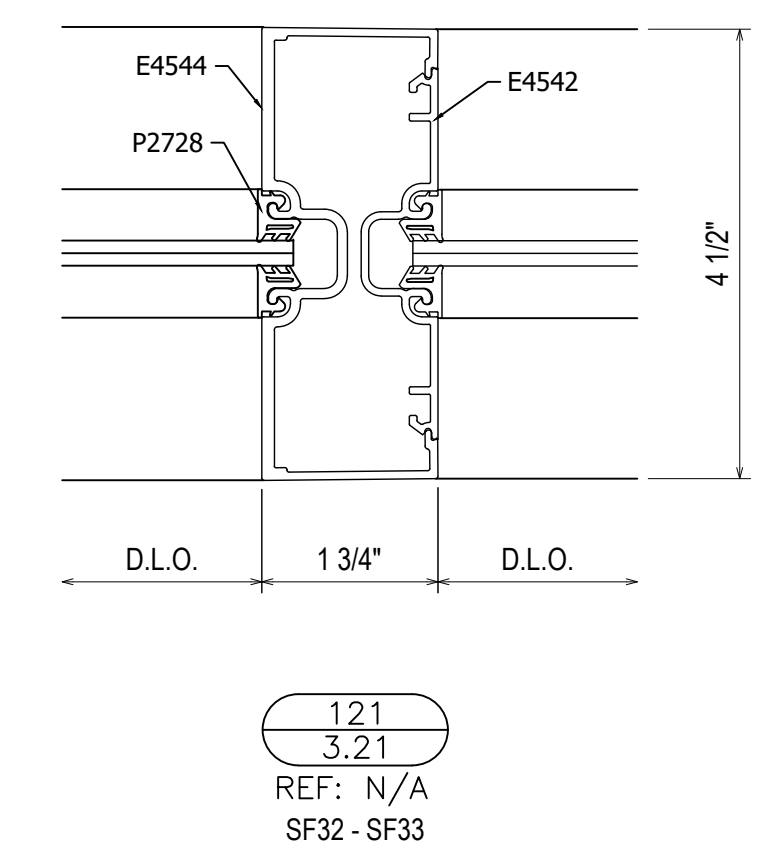
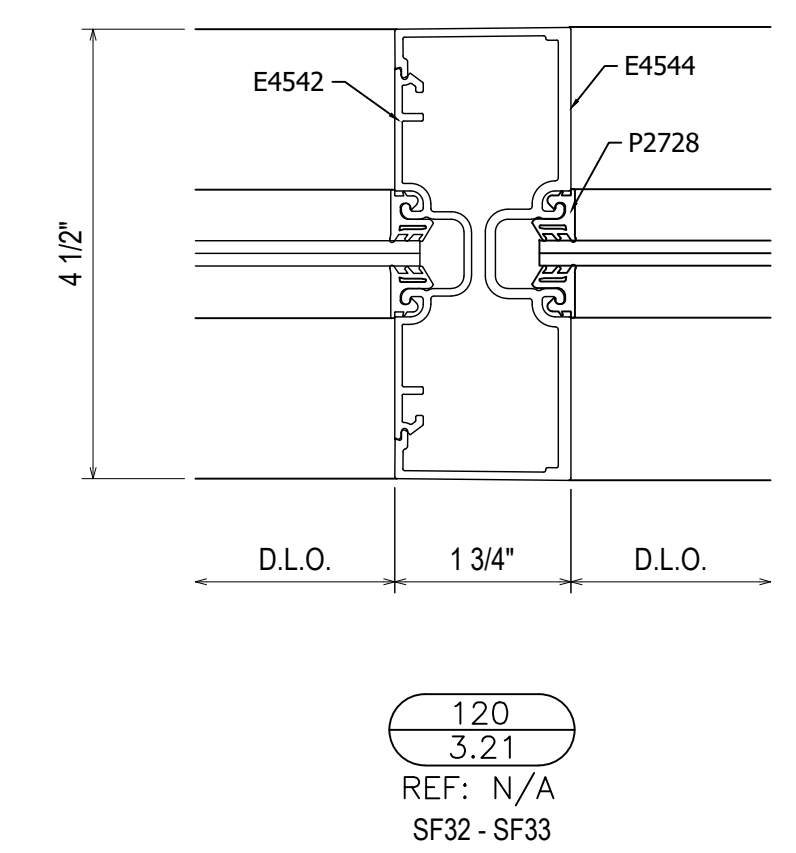
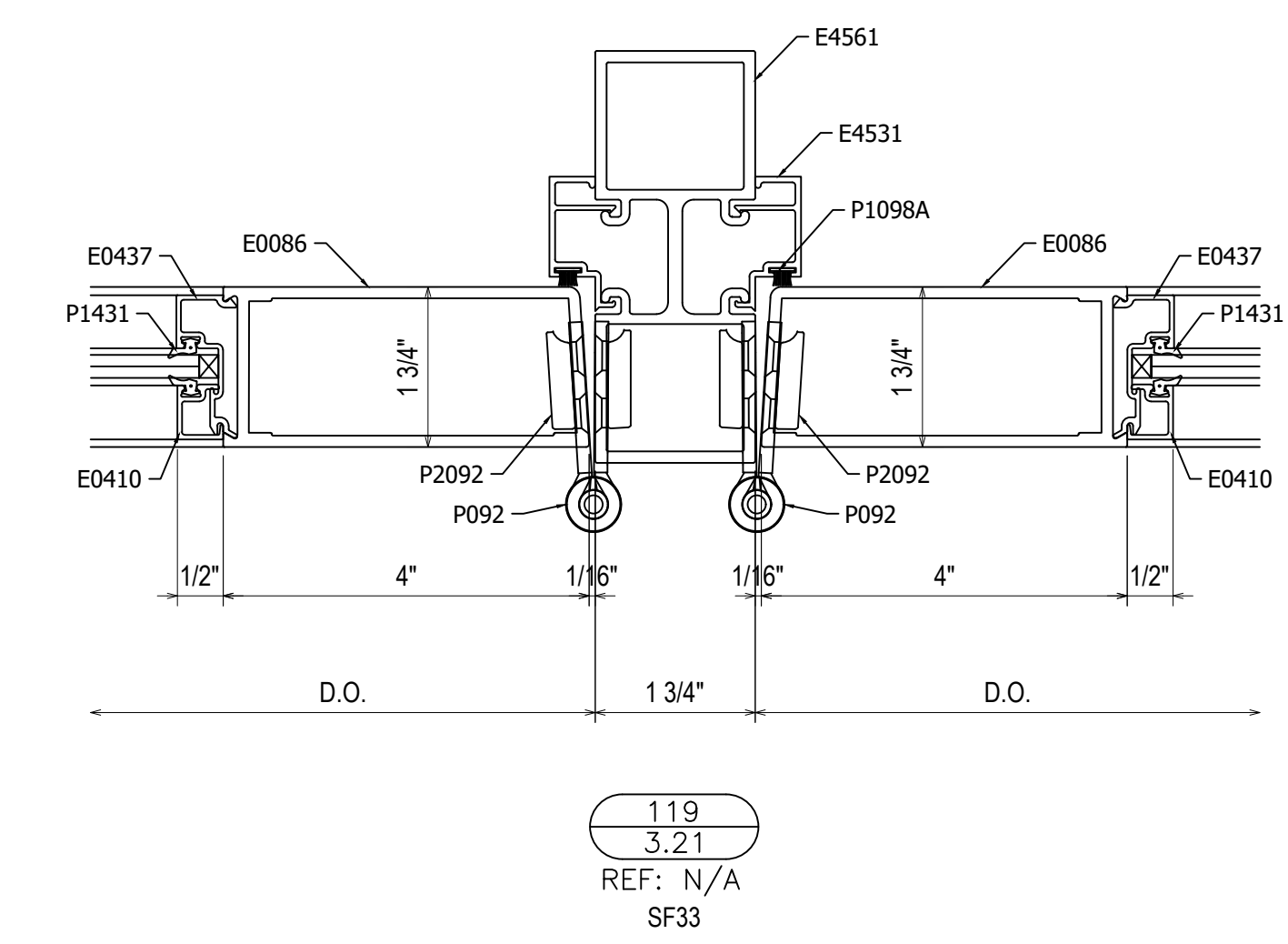
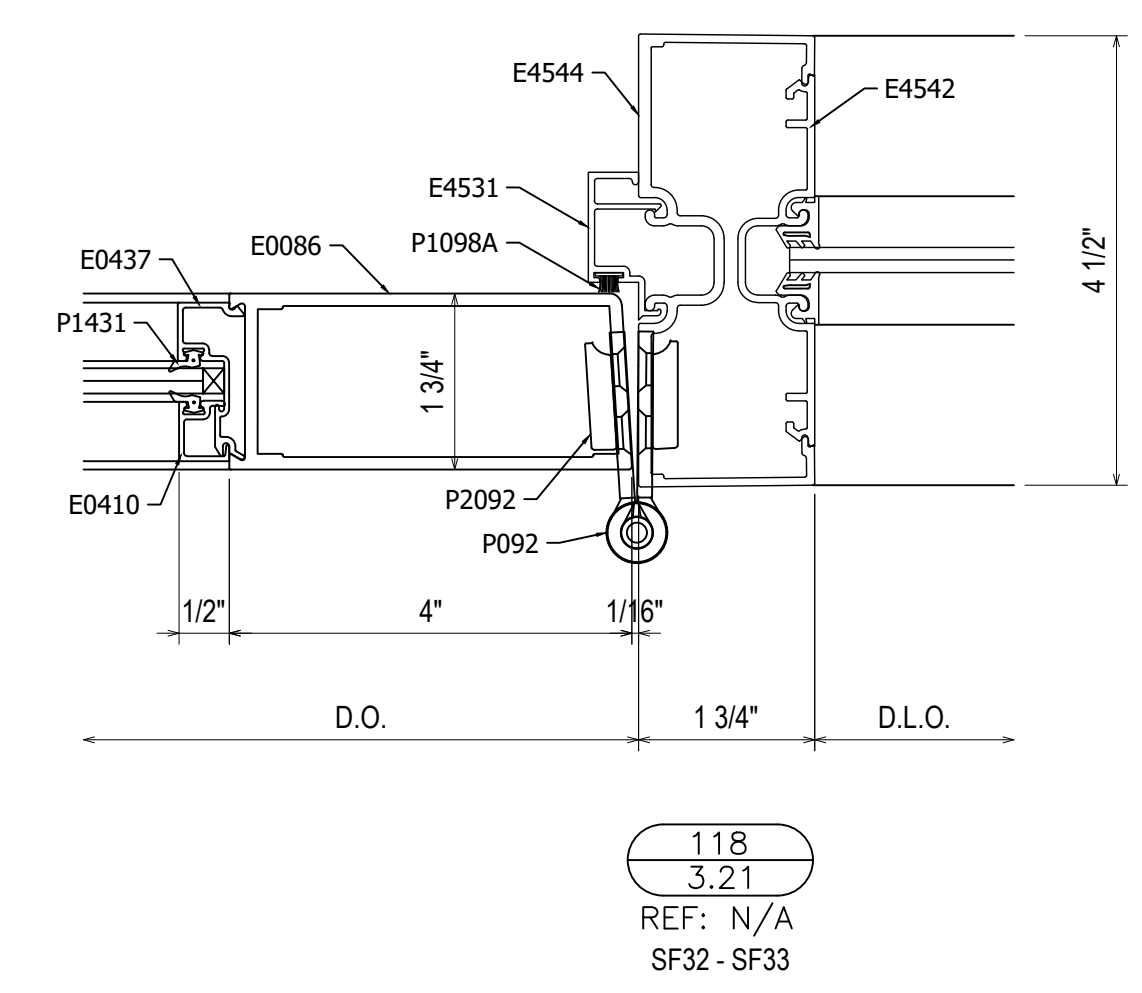
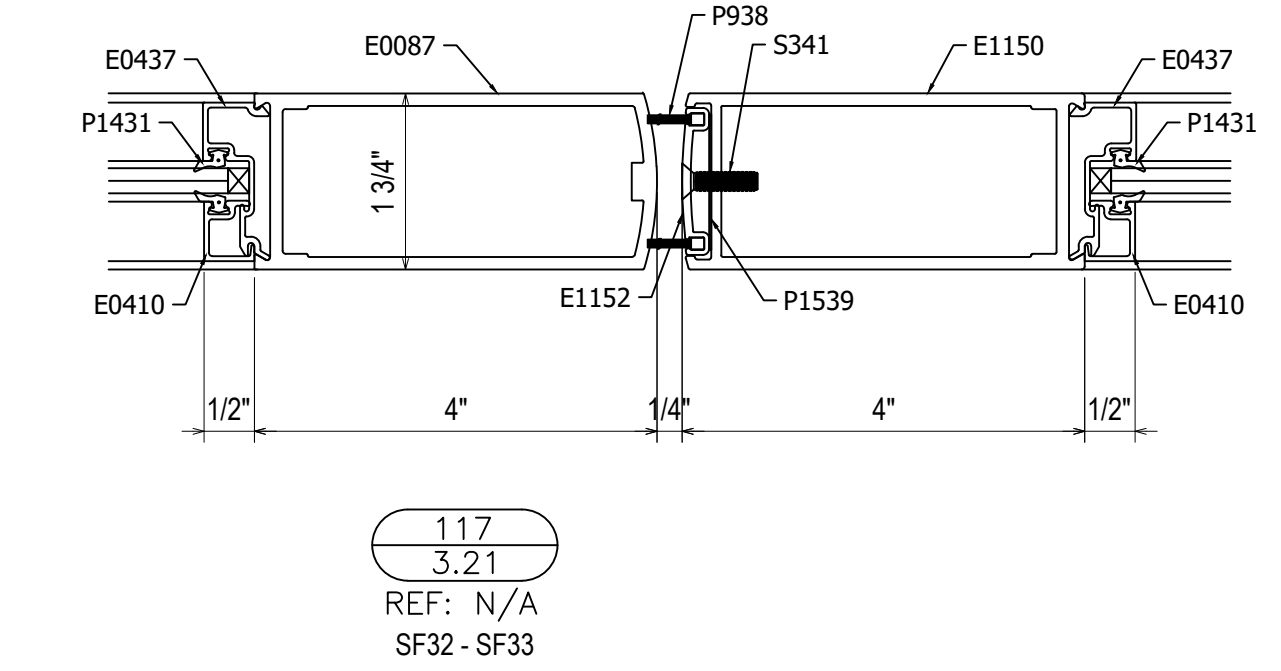
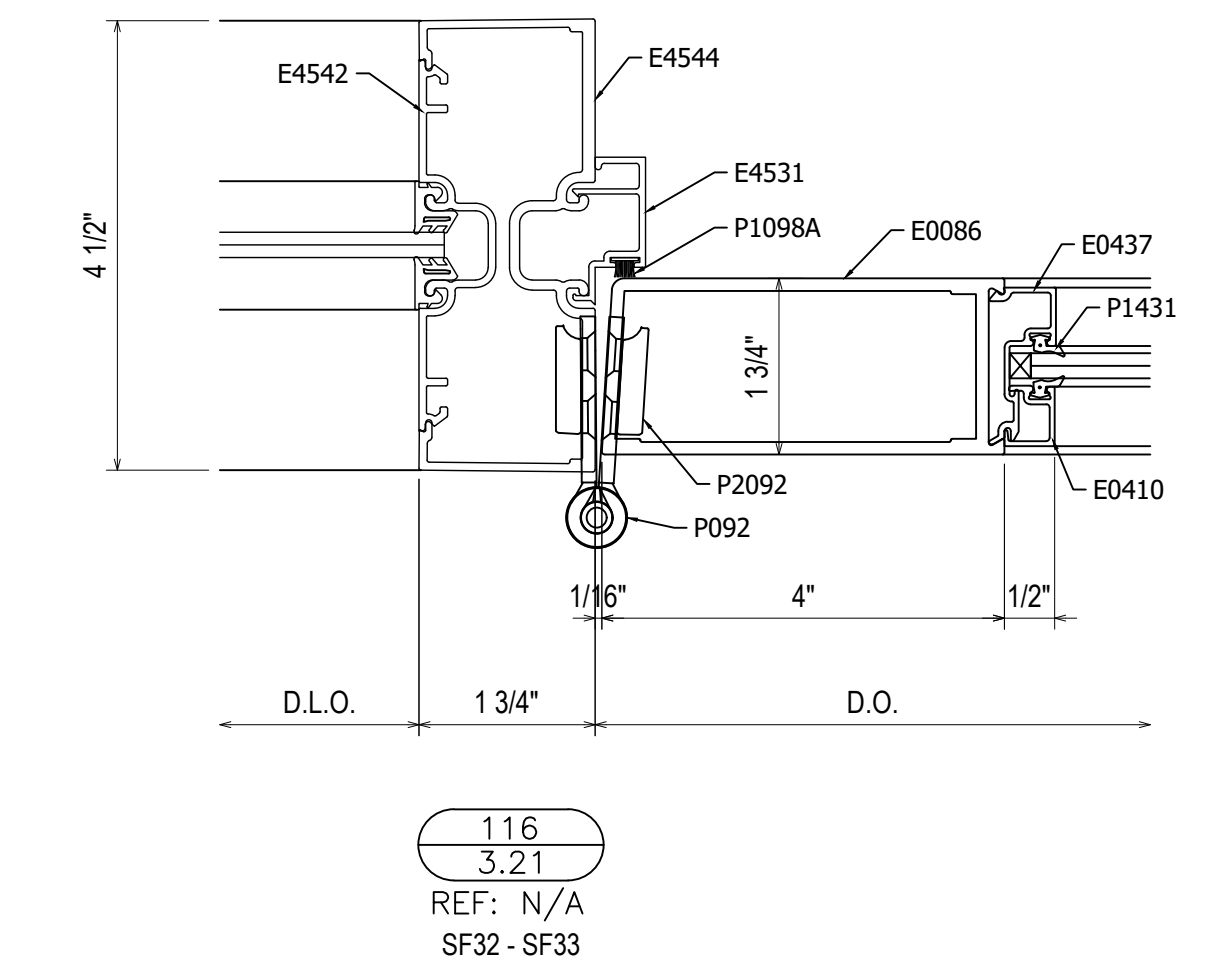
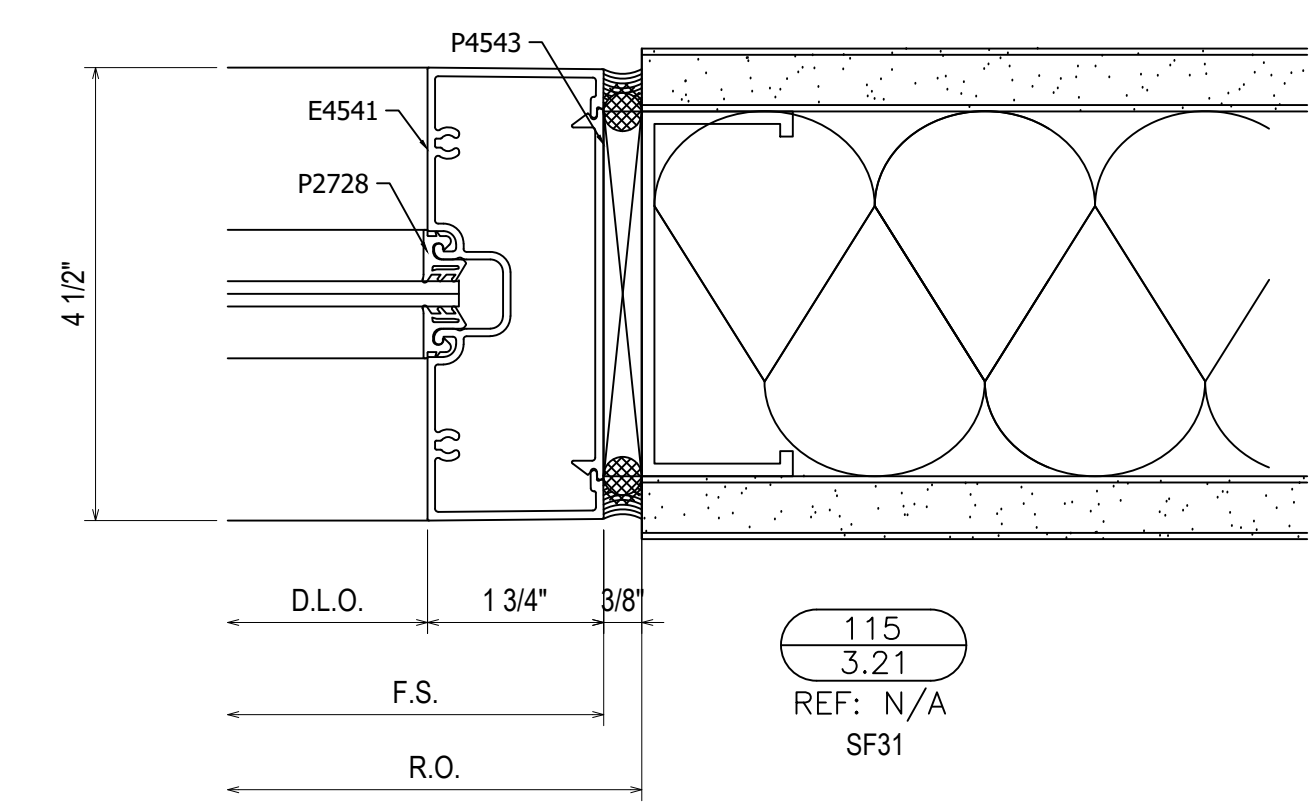
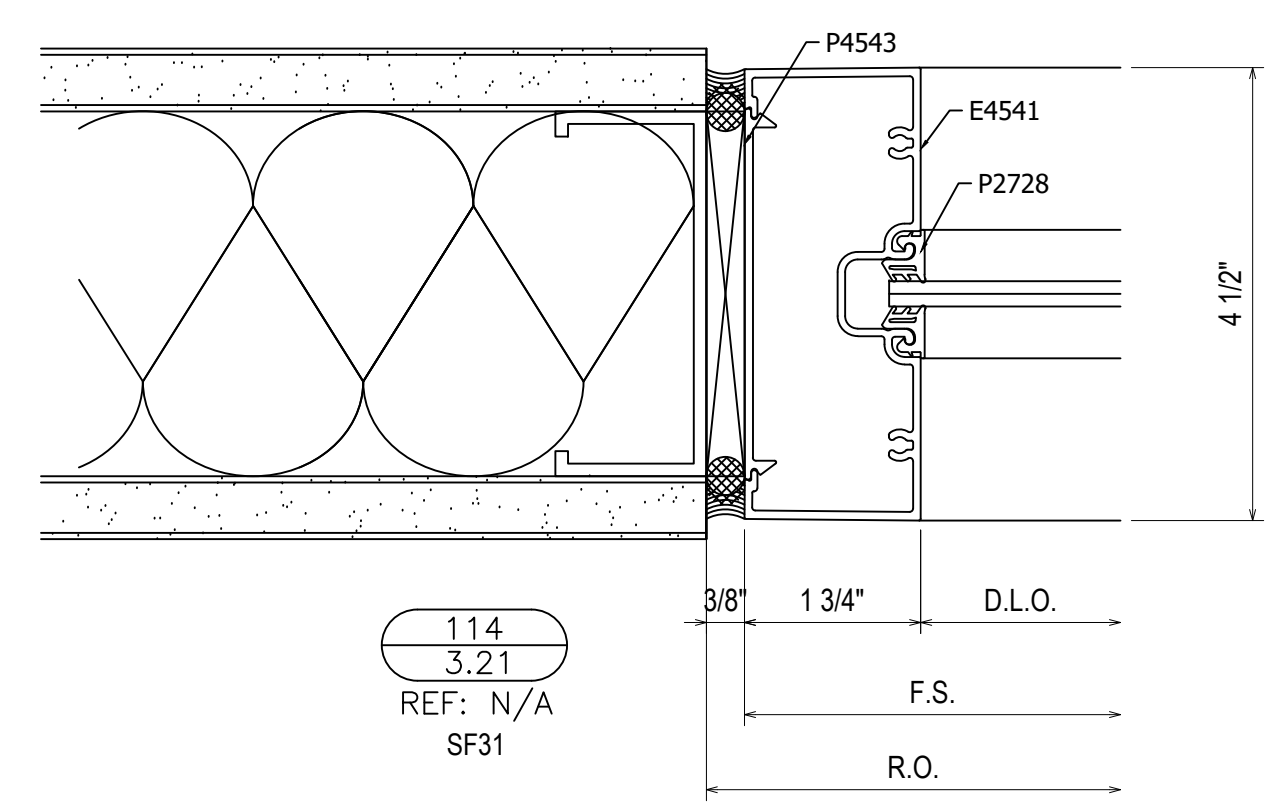
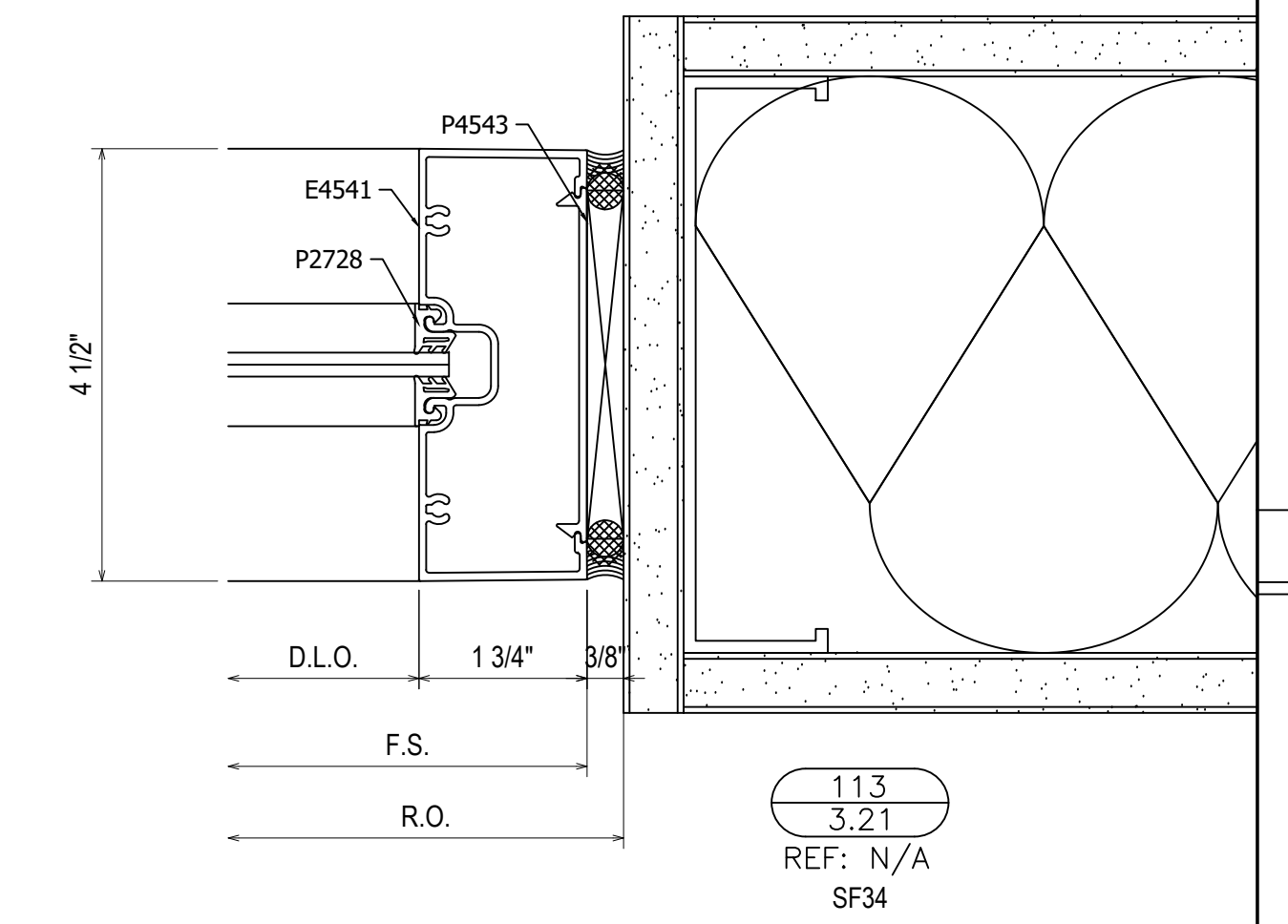
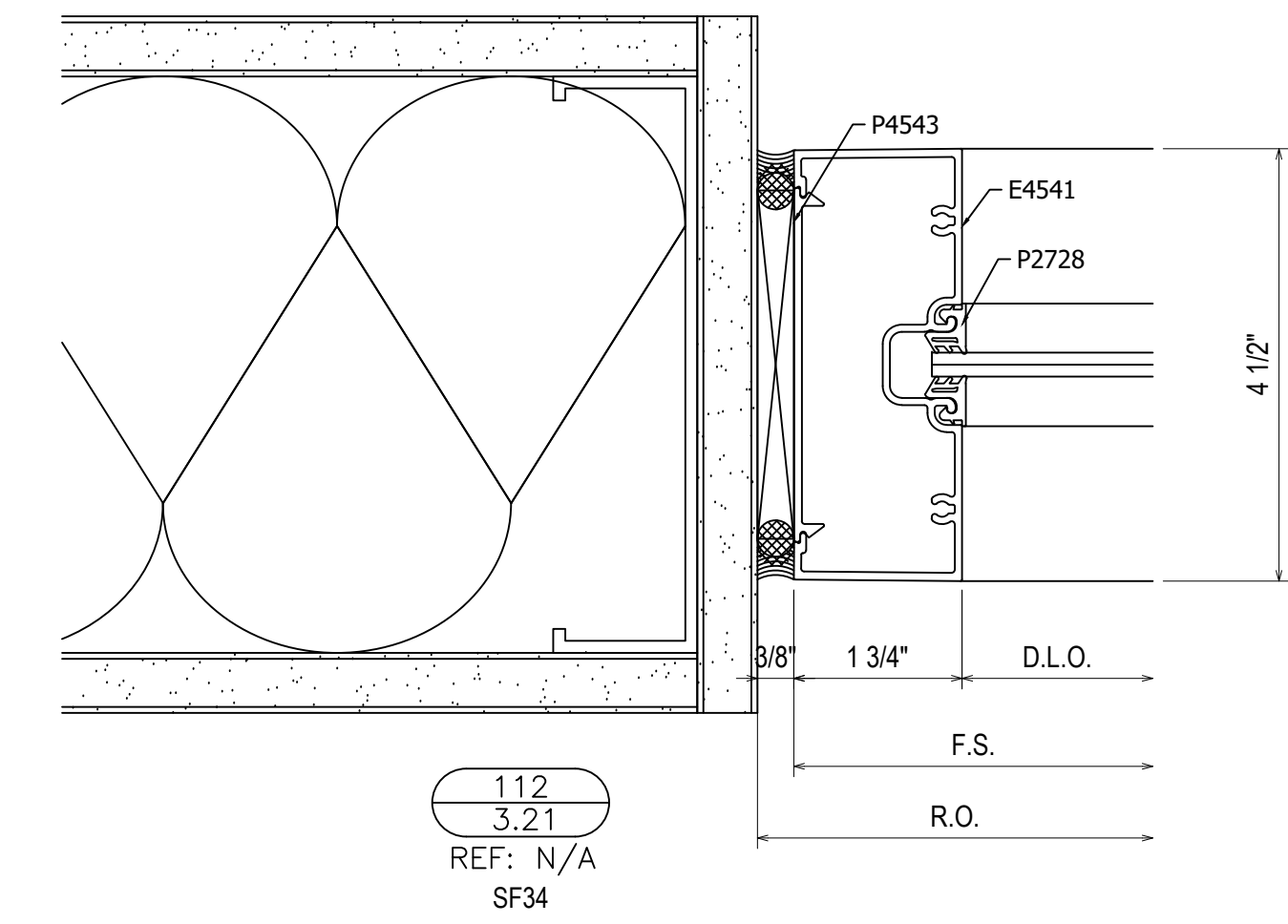
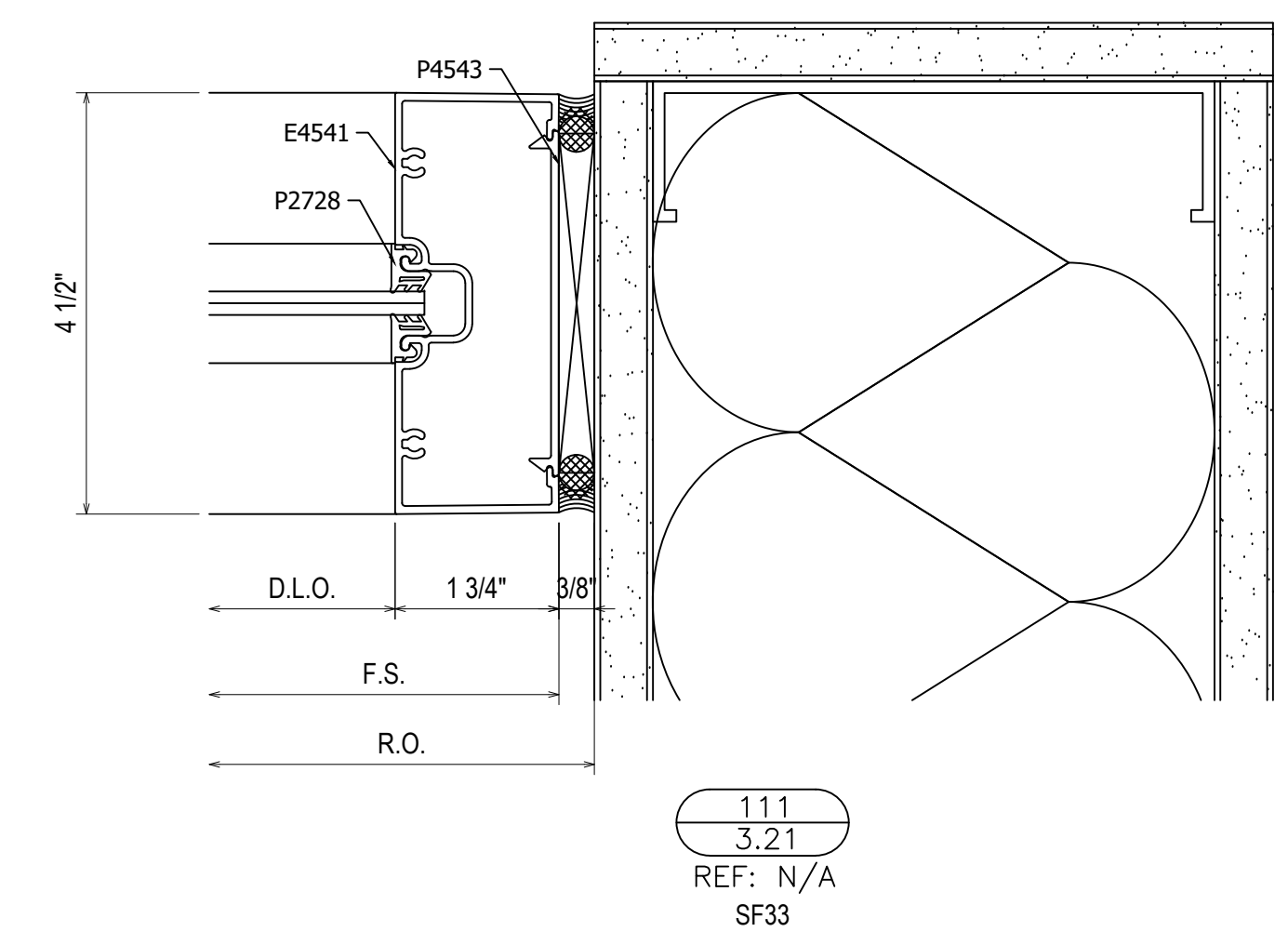
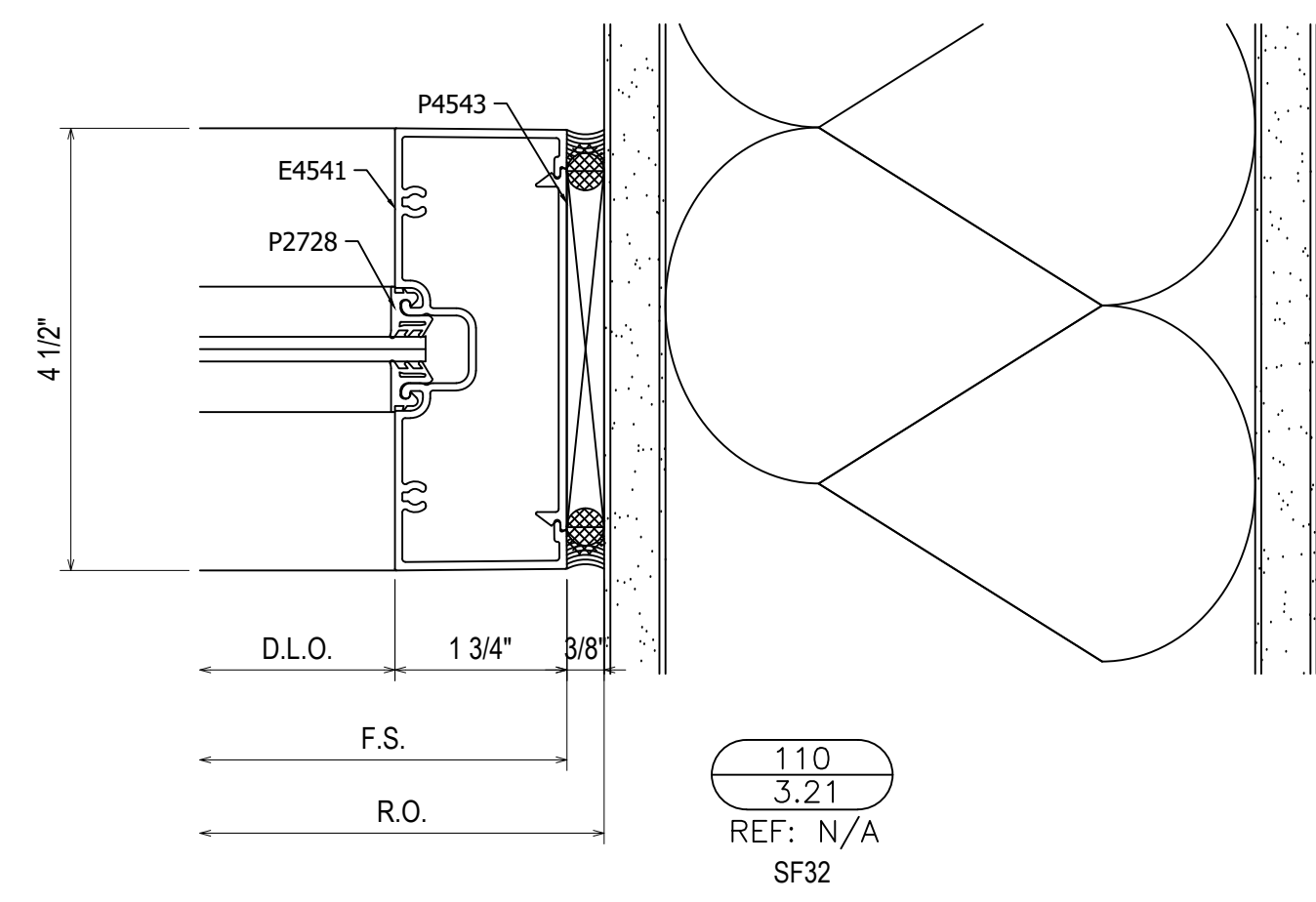
104  
3.20  
REF: N/A  
SF32 - SF33

NO	DESCRIPTION
	DRAWING SUBMISSION

**MAYFIELD HEIGHTS AQUATIC AND COMMUNITY CENTER**  
6080 MARSOL AVE.  
MAYFIELD HEIGHTS, OH 44124

SIXTH CITY GLAZING  
11941 ABBEY ROAD, UNIT E  
NORTH ROYALTON, OH 44133

DRAWN BY:	DATE:
DJ	10.3.22
CHECKED BY:	DATE:
RS	10.3.22

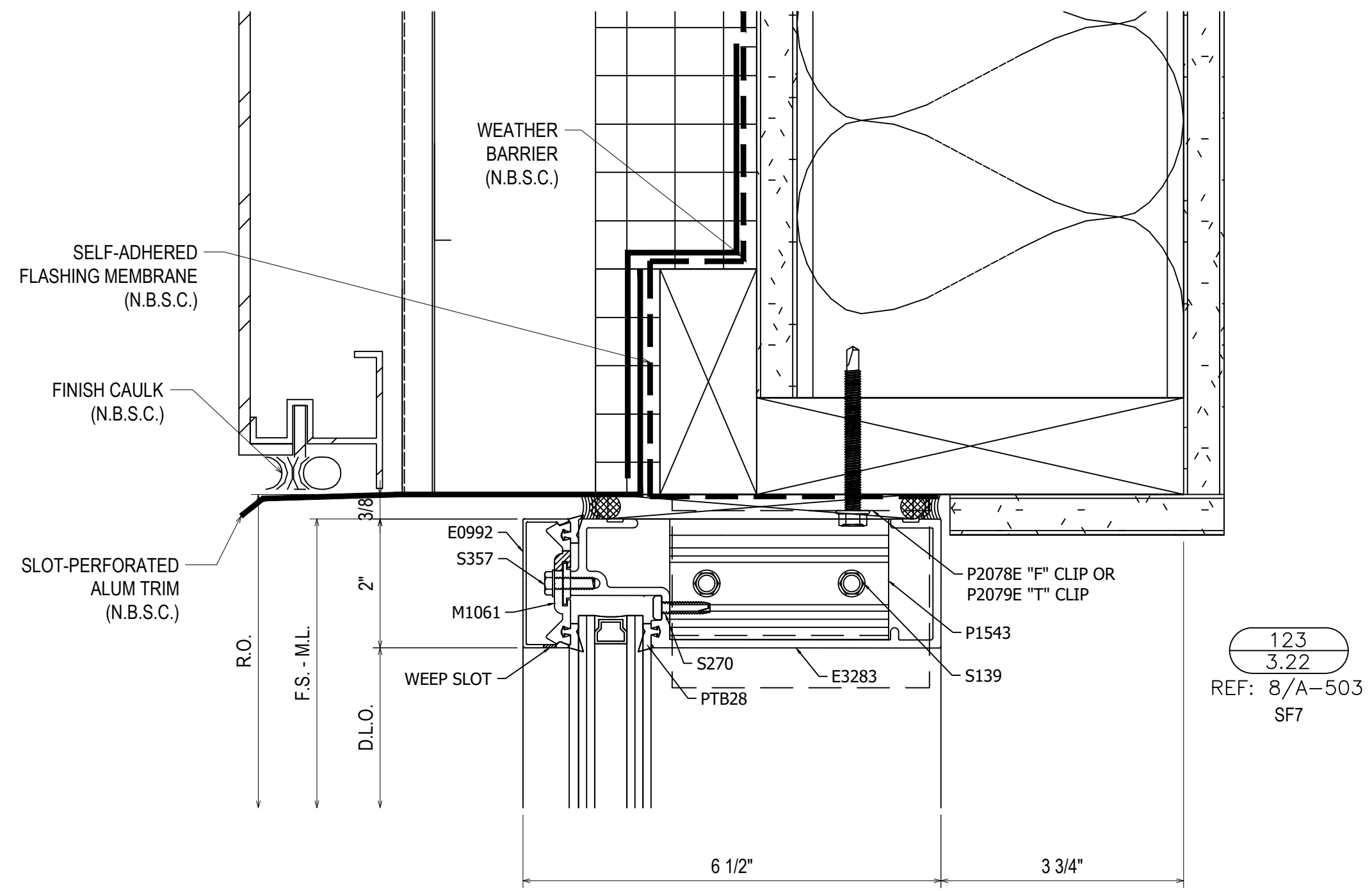


NO	DESCRIPTION

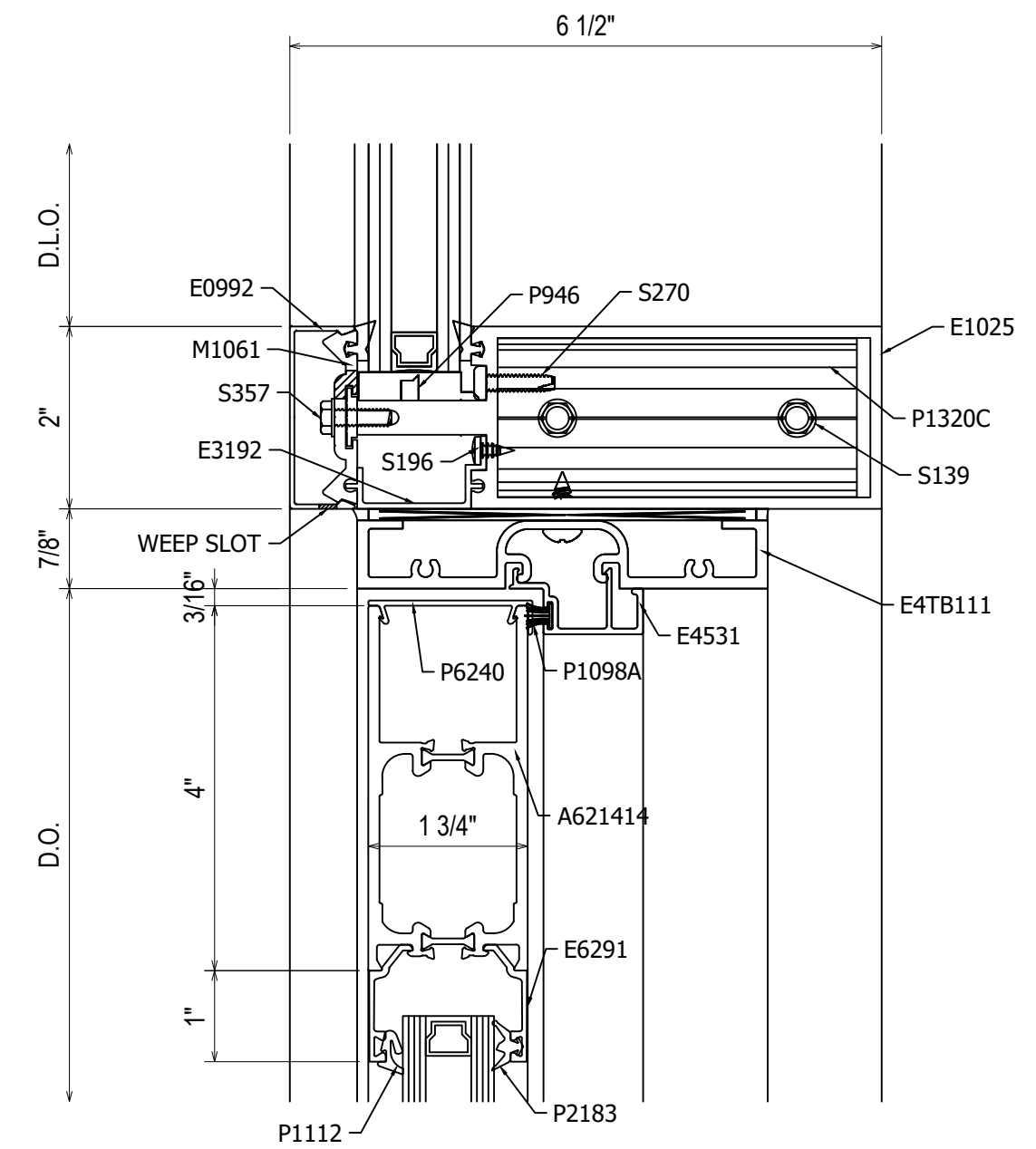
**MAYFIELD HEIGHTS AQUATIC AND COMMUNITY CENTER**  
6080 MARSOL AVE.  
MAYFIELD HEIGHTS, OH 44124

SIXTH CITY GLAZING  
11941 ABBEY ROAD, UNIT E  
NORTH ROYALTON, OH 44133

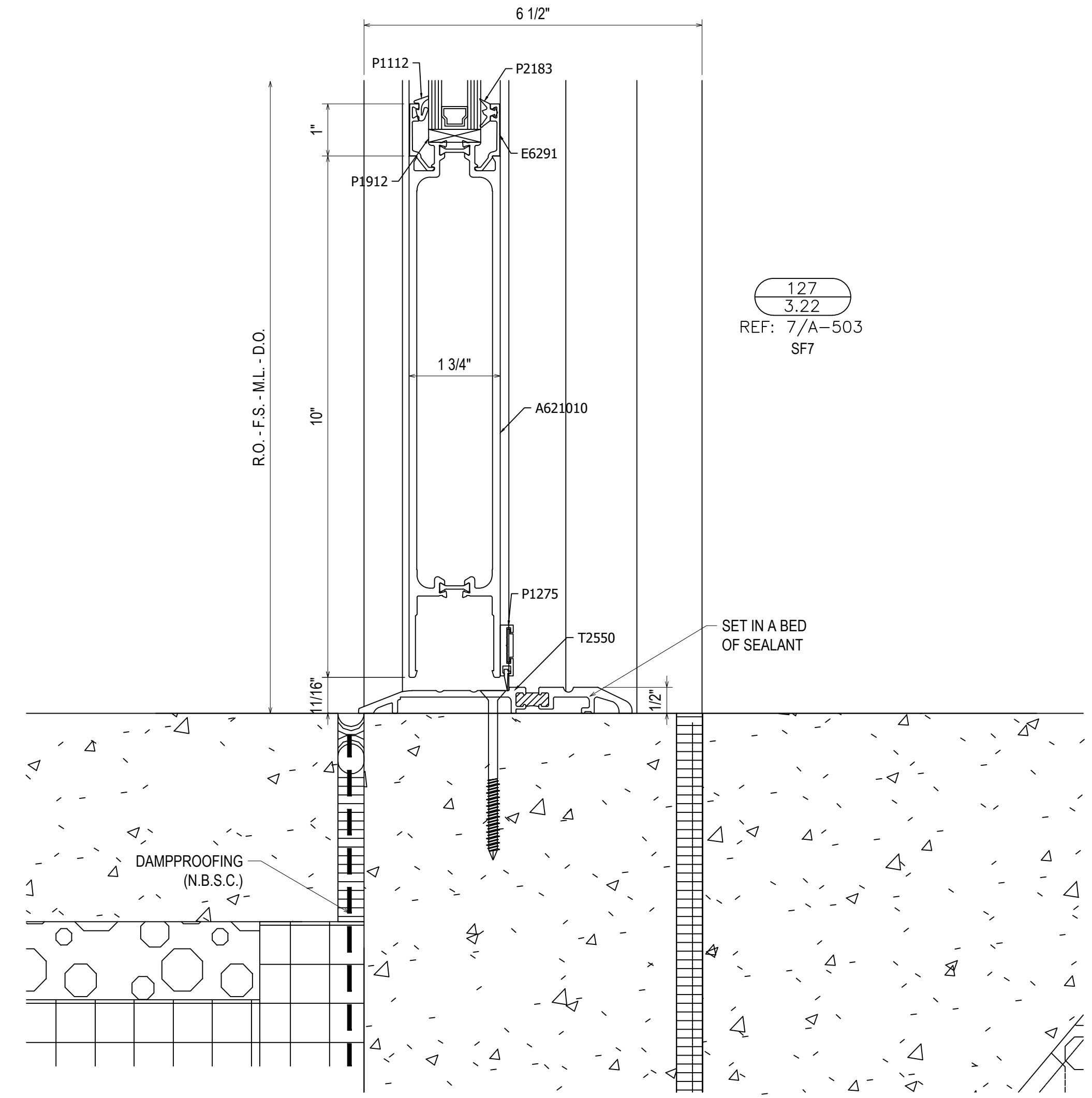
DRAWN BY: DJ	DATE: 10.3.22
CHECKED BY: RS	DATE: 10.3.22



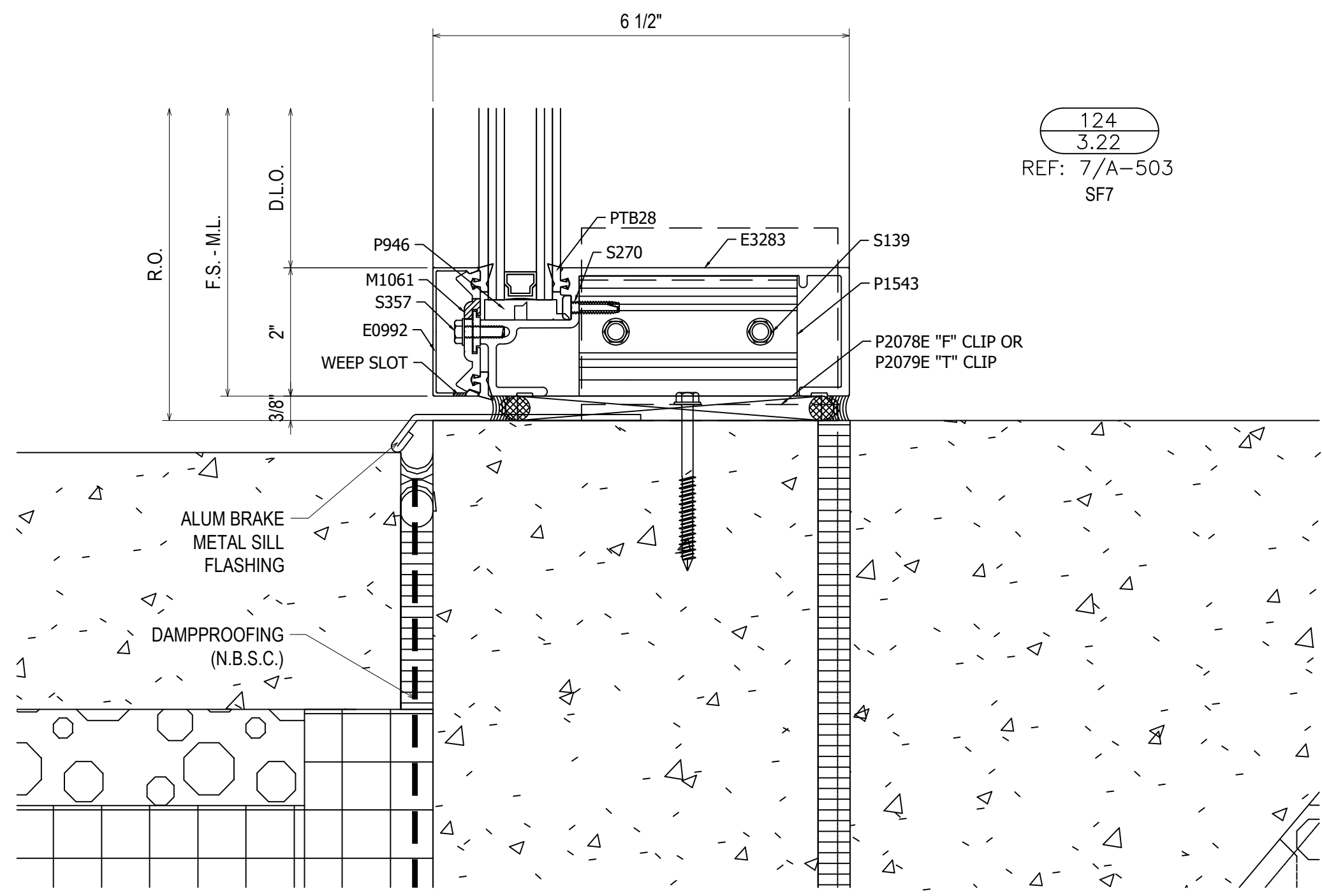
123  
3.22  
REF: 8/A-503  
SF7



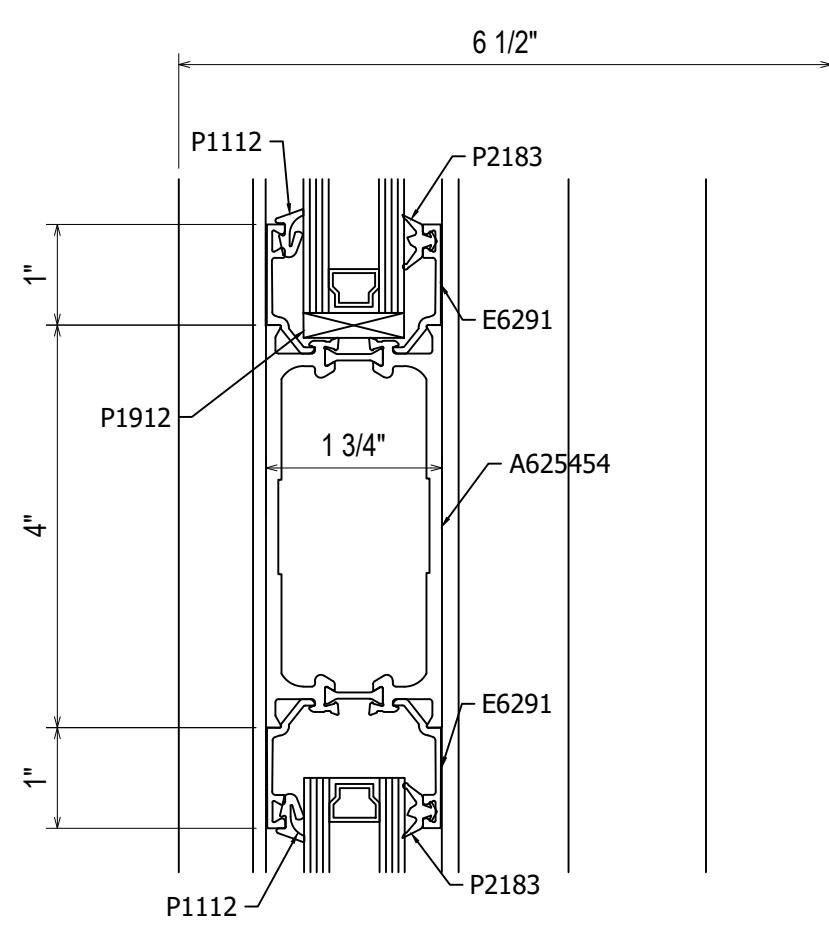
125  
3.22  
REF: N/A  
SF7



127  
3.22  
REF: 7/A-503  
SF7



124  
3.22  
REF: 7/A-503  
SF7



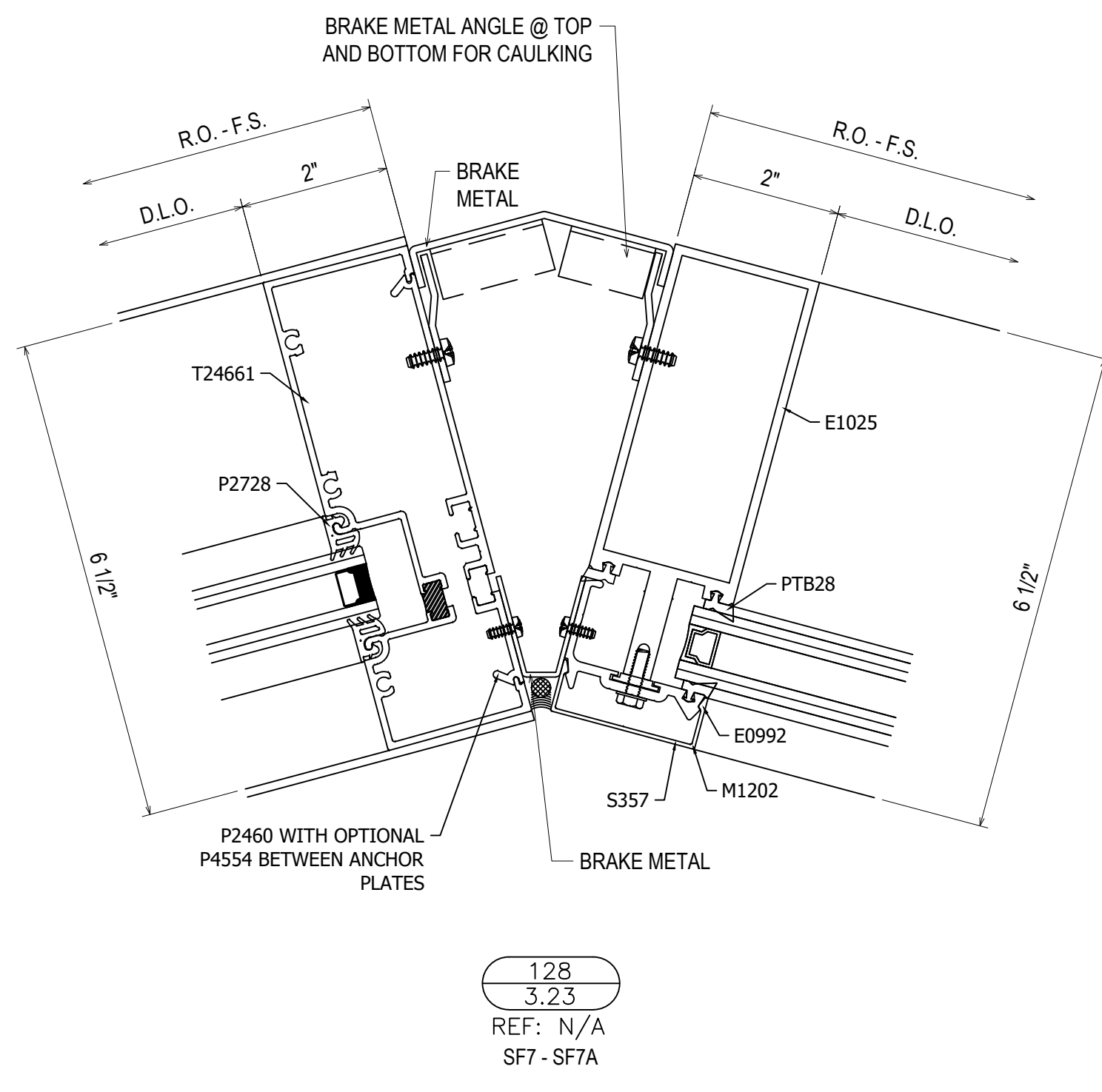
126  
3.22  
REF: N/A  
SF7

NO	DESCRIPTION

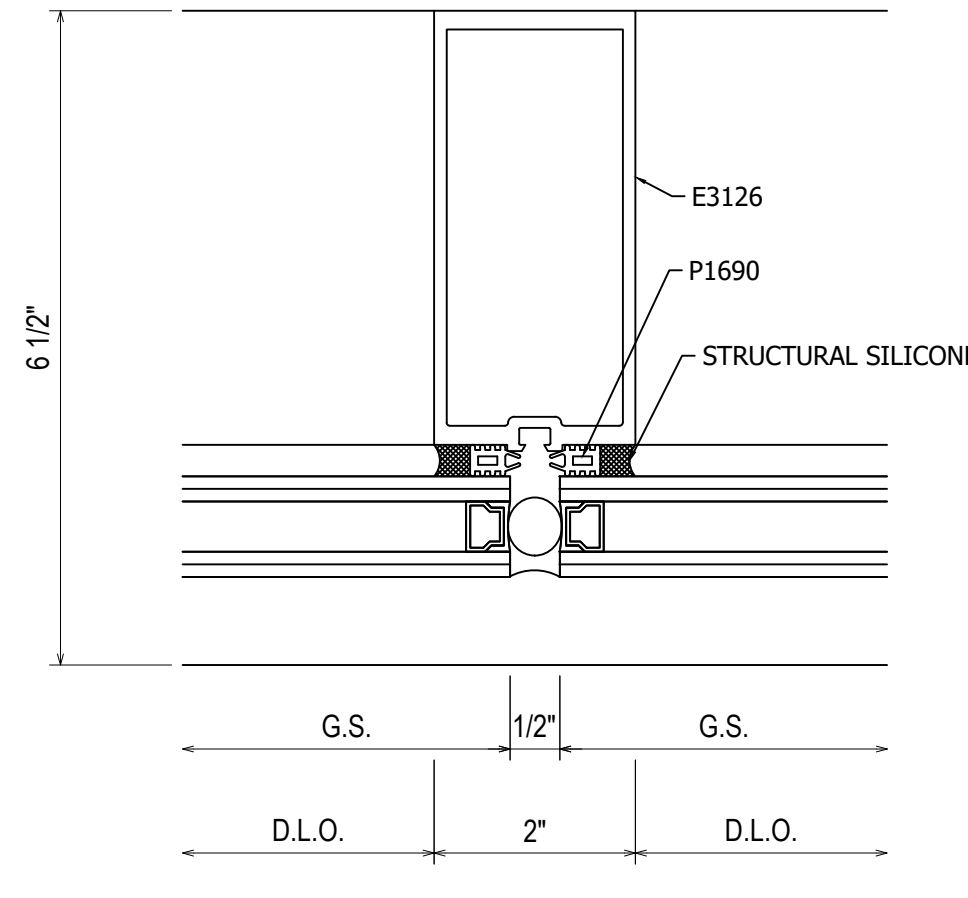
**MAYFIELD HEIGHTS AQUATIC AND COMMUNITY CENTER**  
6080 MARSOL AVE.  
MAYFIELD HEIGHTS, OH 44124

SIXTH CITY GLAZING  
11941 ABBEY ROAD, UNIT E  
NORTH ROYALTON, OH 44133

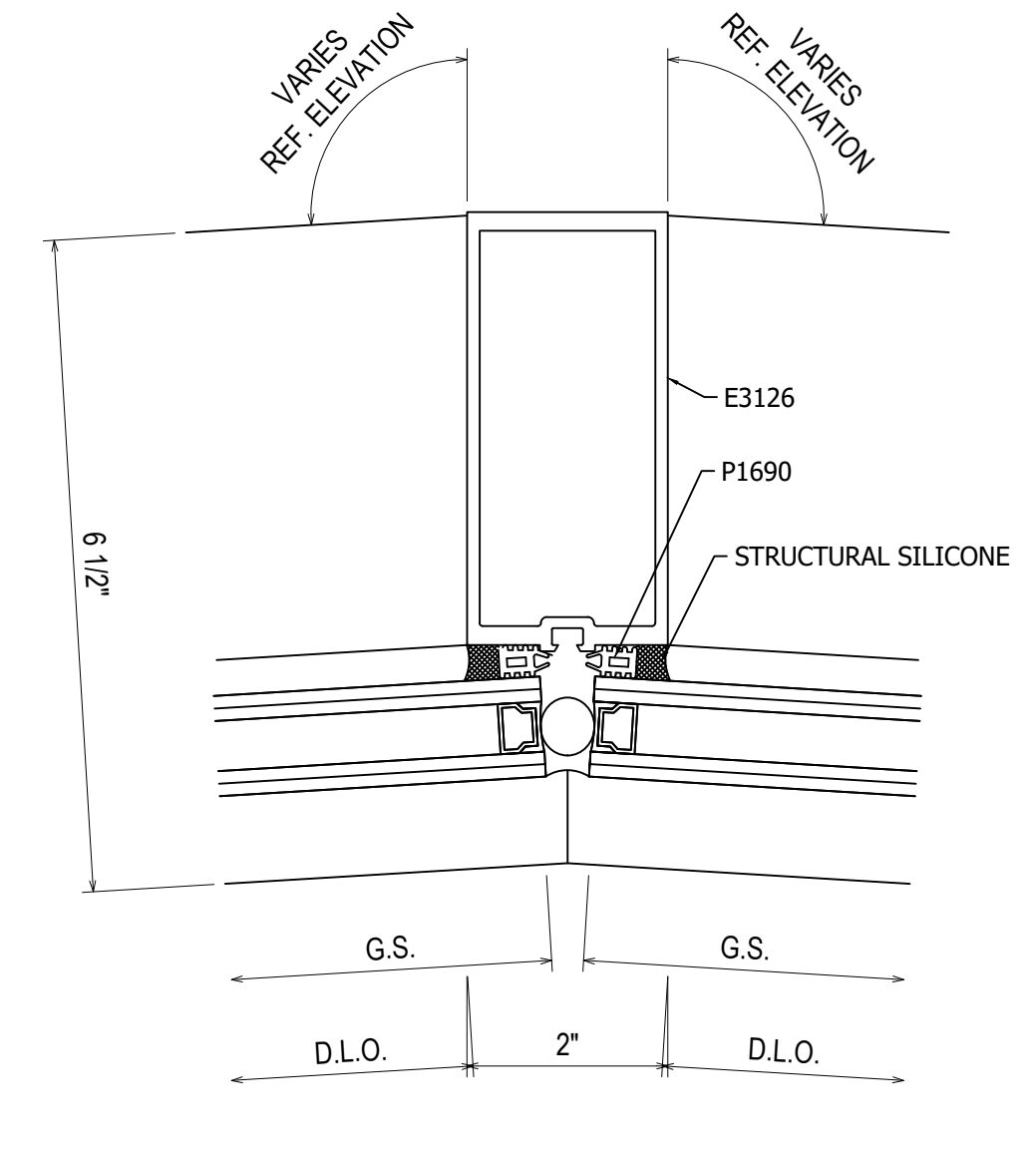
DRAWN BY:	DATE:
DJ	10.3.22
CHECKED BY:	DATE:
RS	10.3.22



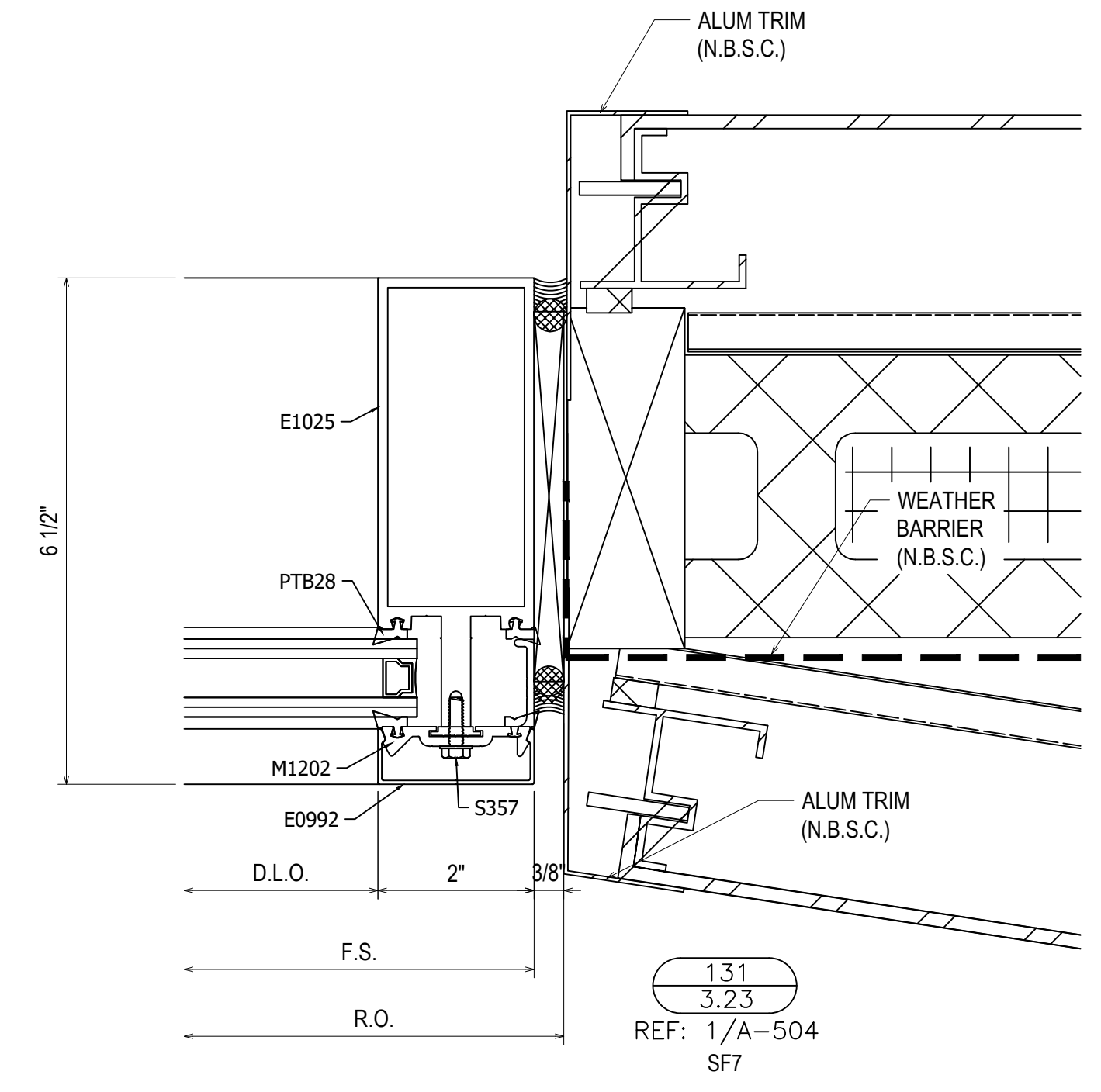
128  
3.2.3  
REF: N/A  
SF7 - SF7A



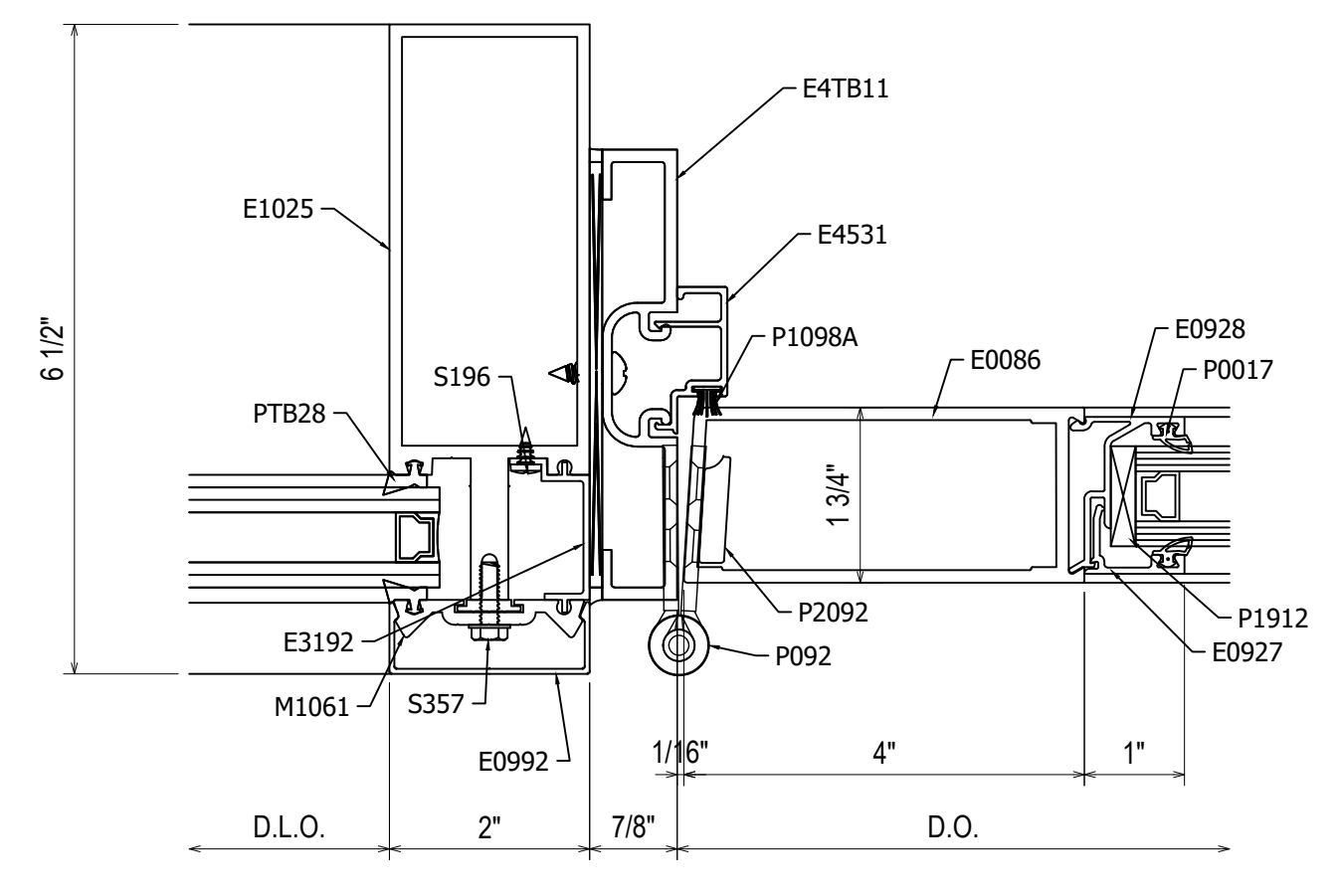
129  
3.2.3  
REF: N/A  
SF7



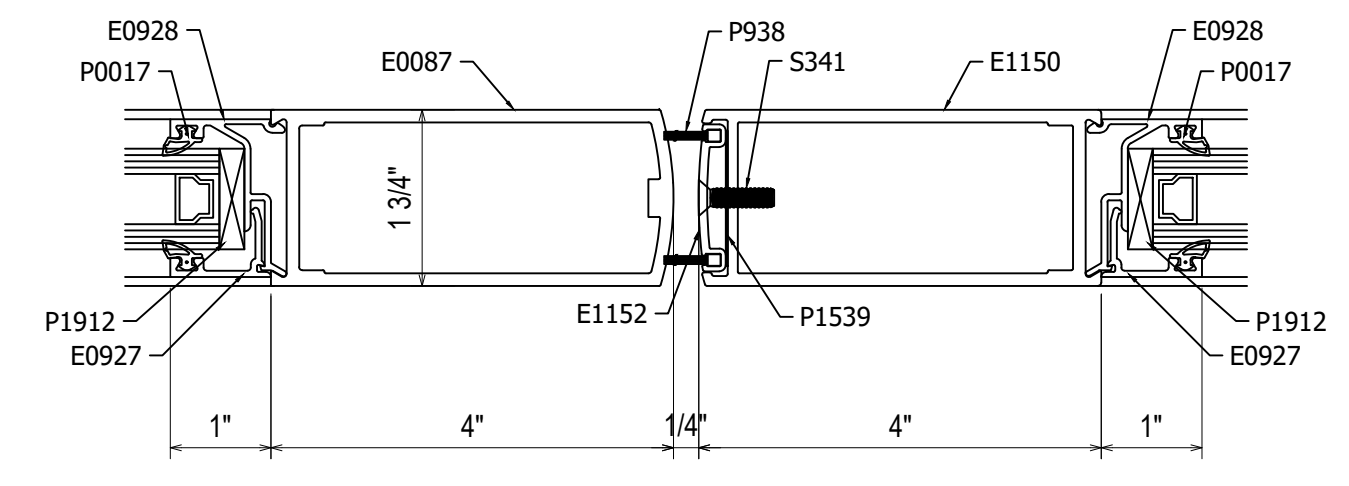
130  
3.2.3  
REF: N/A  
SF7



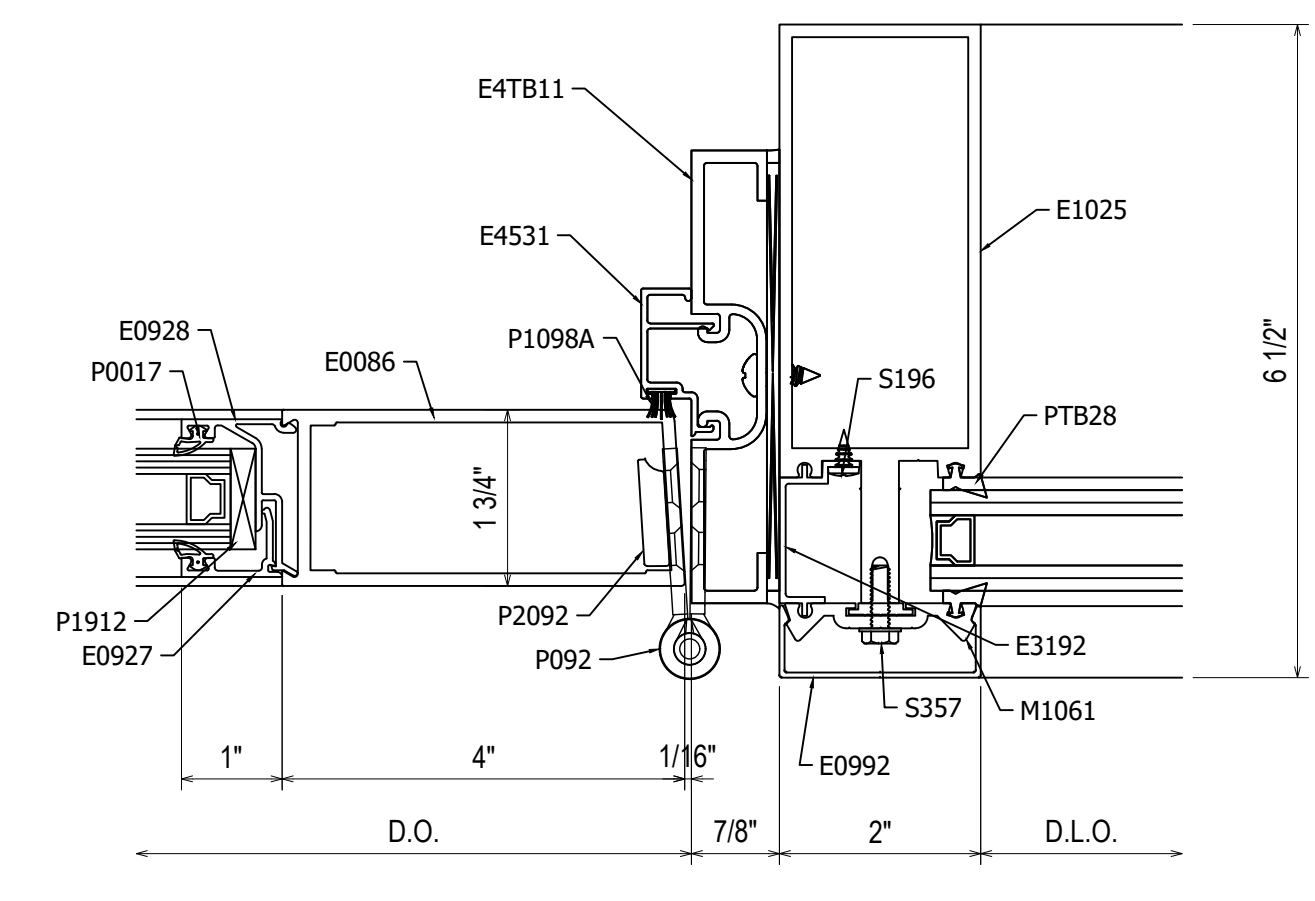
131  
3.2.3  
REF: 1/A-504  
SF7



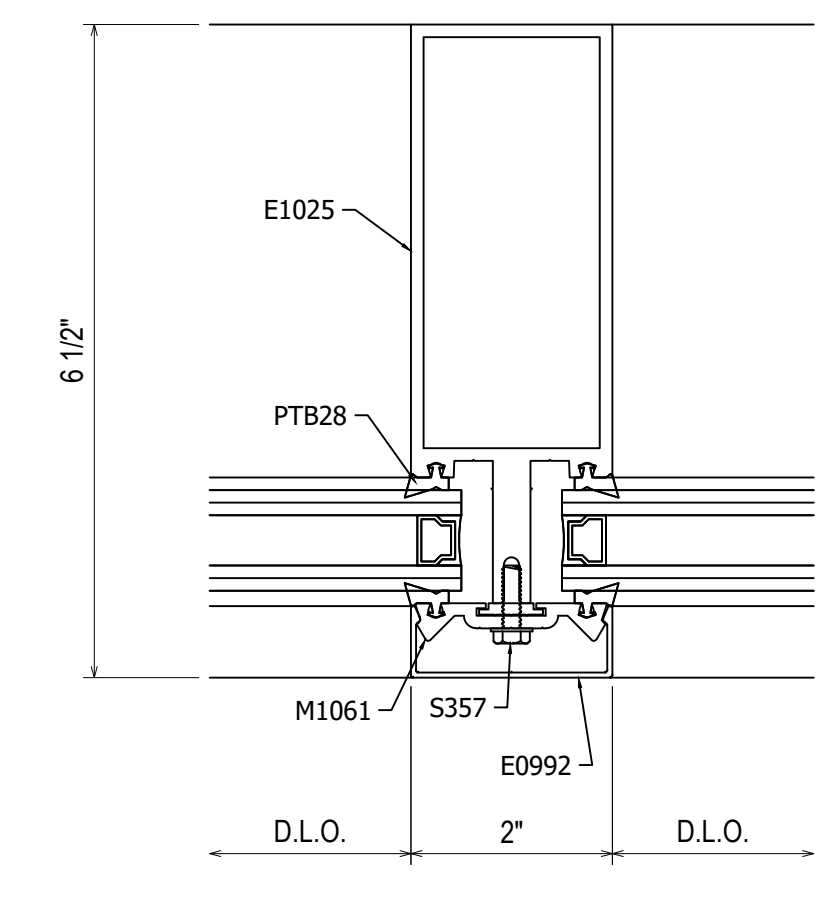
132  
3.2.3  
REF: N/A  
SF7



133  
3.2.3  
REF: N/A  
SF7



134  
3.2.3  
REF: N/A  
SF7



135  
3.2.3  
REF: N/A  
SF7

NO	DESCRIPTION

**MAYFIELD HEIGHTS AQUATIC AND COMMUNITY CENTER**  
6080 MARSOL AVE.  
MAYFIELD HEIGHTS, OH 44124

SIXTH CITY GLAZING  
11941 ABBEY ROAD, UNIT E  
NORTH ROYALTON, OH 44133

DRAWN BY:	DATE:
DJ	10.3.22
CHECKED BY:	DATE:
RS	10.3.22