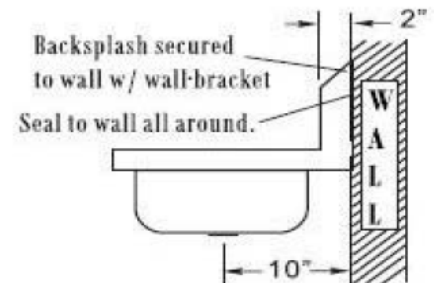
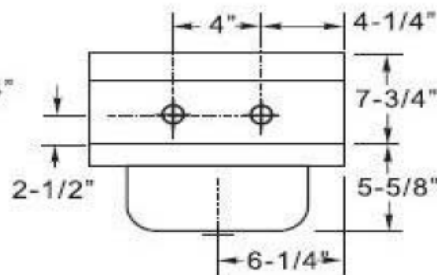
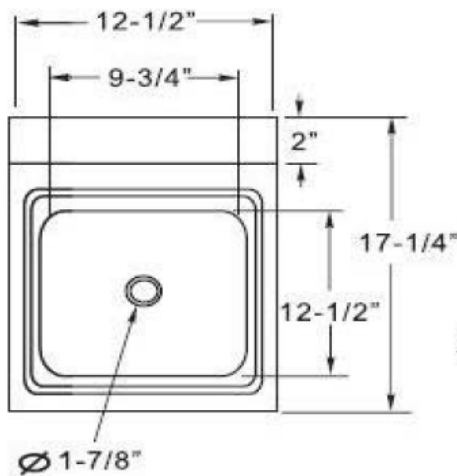


# WICKETTS STAINLESS

Stainless Steel Hand Sink  
WHS 1217-SSG LEAD FREE

## SPECIFICATION



Product #	Description
WHS 1217-SSG	12 x 17 Space Saver Wall Mount Hand Sink With Side Splashes Lead Free Faucet

Wicketts Stainless, LLC. 2618  
San Miguel Dr. Bldg.# 376  
Newport Beach, CA 92660  
Tel: 951-858-2548  
Fax: 951-638-9059  
www.wickettsstainless.com  
Sales@wickettsstainless.com



Approved for Manufacturing  
Company: \_\_\_\_\_  
Signature: \_\_\_\_\_  
Print: \_\_\_\_\_ Date: \_\_\_\_/\_\_\_\_/\_\_\_\_