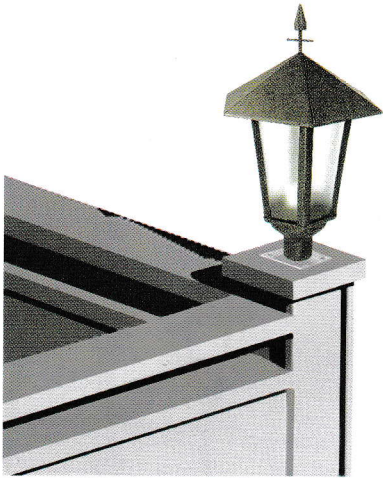


AMCO CASTLE LANTERN



MODEL NO.

C - 25B



MODEL NO.

C - 25SC



MODEL NO.

C - 30W



MODEL NO.

C - 30P2

DESCRIPTION:

CASTLE LANTERN: Metal sheet housing is available in antique powder coating finish or wrinkle black enamel paint finishes.

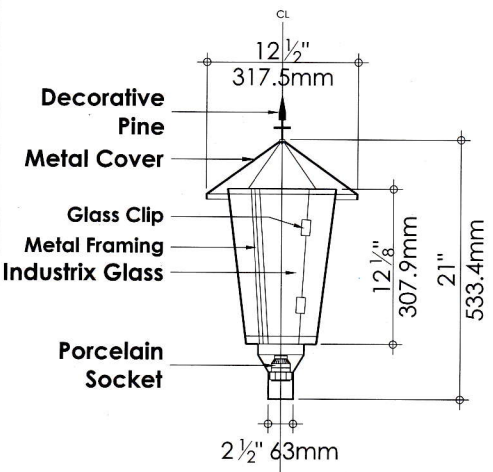
POST: Zinc electro - galvanized steel lamp post and pedestal base coated with red oxide and enamel paint finish. Complete with anchor bolts, bolts, nuts and washers.

Available in enamel black paint finish, antique powder coating finish and wrinkle black baking enamel paint finish.

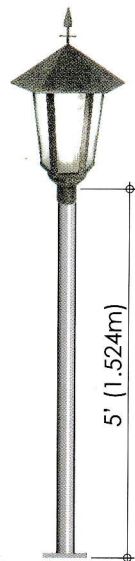
Wattage:

Ballast Type **50w-125w**

None Ballast **160w-250w**

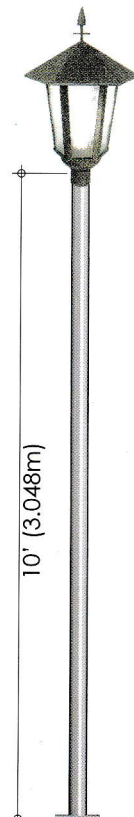


DIMENSIONS:



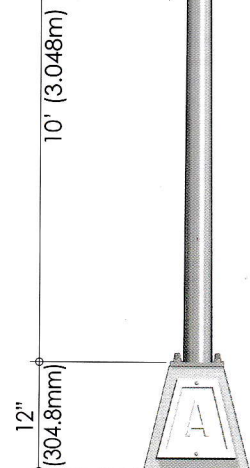
MODEL NO.

C30 - SP - 5



MODEL NO.

C30 - SP - 10



MODEL NO.

C30-SP-10-3