

# WICKETTS STAINLESS

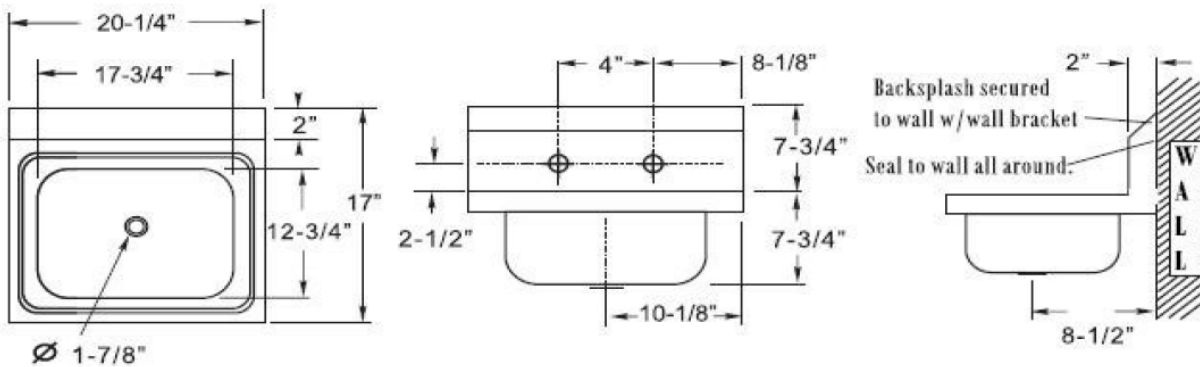
Stainless Steel Hand Sink  
WHS 2017-WG LEAD FREE

## SPECIFICATION



### Type 304 Stainless Steel

- \*Special polished satin finish.
- \*304 stainless steel, 20 gauge.
- \*Faucet & strainer included.



Product #	Description
WHS 2017-WG	20 X 17 Wall Mount Hand Sink With Lead Free Faucet

WICKETTS STAINLESS, LLC  
2618 San Miguel Dr. Bldg.# 376  
Newport Beach, CA 92660  
Tel.(951)-858-2548  
Fax.(951)-638-9059  
sales@wickettsstainless.com  
www.wickettsstainless.com



**WARNING:**  
This product can expose you to chemicals, which are known to the State of California to cause cancer. For more information, visit [www.P65Warnings.ca.gov](http://www.P65Warnings.ca.gov).

Approved for Manufacturing  
Company: \_\_\_\_\_  
Signature: \_\_\_\_\_  
Print: \_\_\_\_\_ Date: \_\_\_/\_\_\_/\_\_\_